

# MACHINE ENGINEERING. **BÄUMER**

## TRUST IN THE ORIGINAL: THE BZM-I WEARING PART PACKAGE

---

Extend the life of your machines with guaranteed constant cutting quality by using precisely fitting original parts exclusively from Bäumert. You will receive your wear parts package quickly and cost-efficiently. Guaranteed.



The wearing part package shown here can be tailored to fit your machine and requirements.

Replacement and wearing parts directly from the manufacturer

Our machinery and systems produce replacement and wearing parts on the five major continents of the world, and providing them to our customers is our daily business. We ship by land, air and sea – always finding the most cost-effective method to reach you. We provide more than just replacement and wearing parts. Our experts are ready to assist you in choosing the right parts or can provide you with recommendations. We also conduct a technical review of your parts request and order to ensure that you receive the right replacement or wearing part. The best way to access your required parts promptly is to stock up. We are happy to provide you with a recommendation based on your needs. Get everything you need from a single source.

# WEARING PARTS DIRECT FROM THE MANUFACTURER

---

Your wearing parts package for the BZM-I contour cutting machine includes the following parts, for example, depending on the version:

10 x cup grinding stones  $\varnothing$  80 mm

10 x diamond screws

16 x guiding elements

4 x round brushes

4 x running wheels

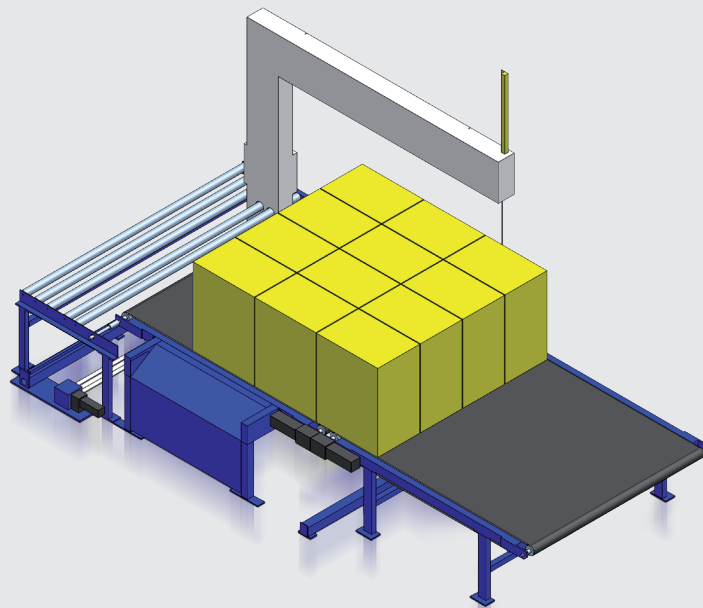
8 x guiding rolls

3 x running wheels complete without position 1 (hub only)

2 x guide cars

1 x binding

2 x running rolls  $\varnothing$  65mm



---

**WE WOULD BE HAPPY TO PREPARE  
A NON OBLIGATION OFFER.**

**Albrecht Bäumer GmbH & Co. KG**  
Asdorfer Straße 96-106  
57258 Freudenberg, Germany  
Phone: +49 2734 289-0  
Fax: +49 2734 289-289  
Internet: [www.baeumer.com](http://www.baeumer.com)  
e-mail: [contact@baeumer.com](mailto:contact@baeumer.com)