

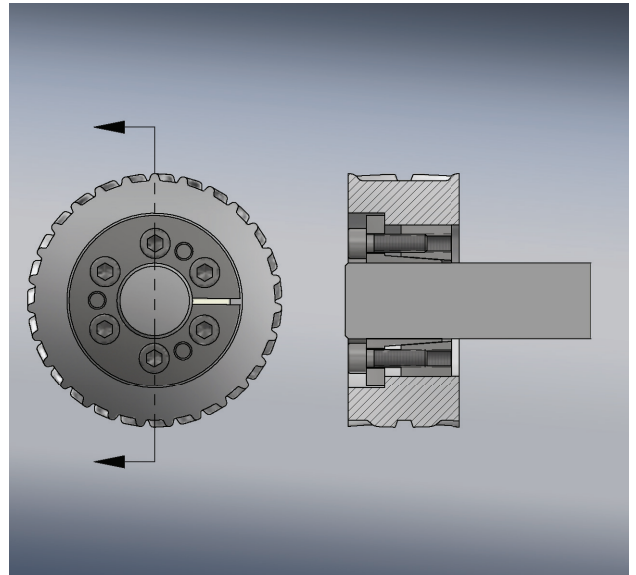
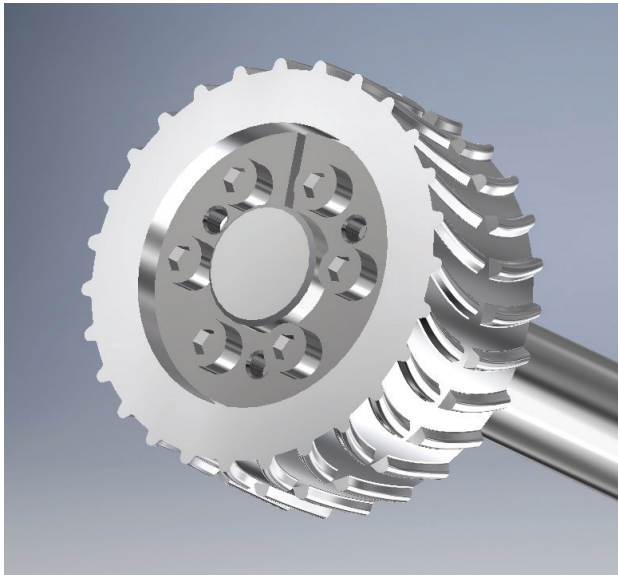
Keyless Bushings- The modern shaft connection

BRECOflex now offers pulleys with matching keyless bushings with no additional delivery time. These industry-standard bushings solve many issues related to using traditional keyways.

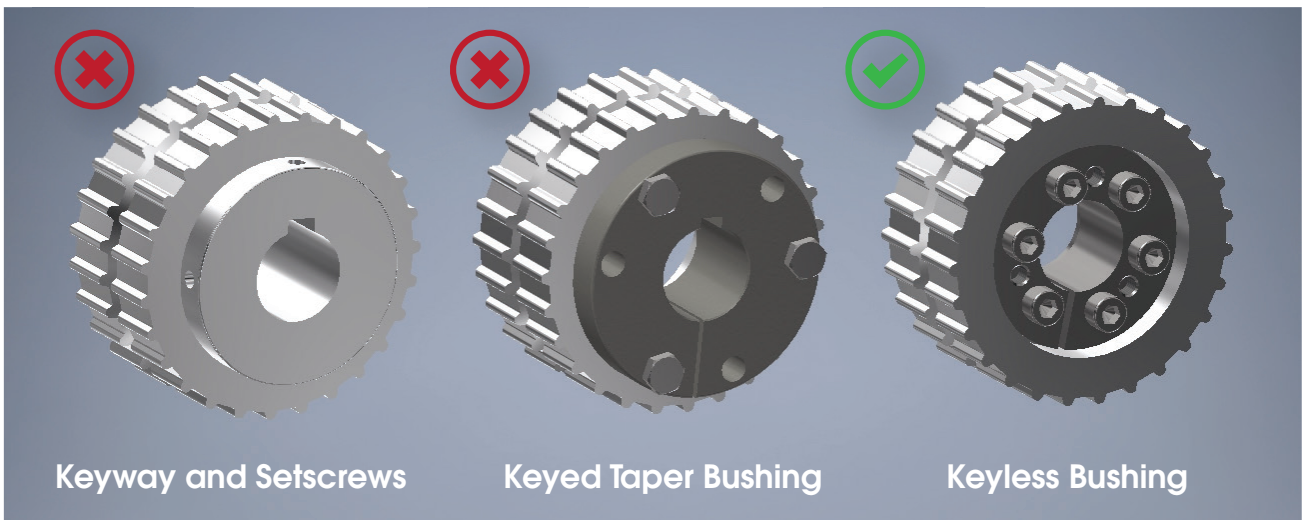
Increased Accuracy – keyway backlash is avoided, additionally keyways wallow out with cycling

High Strength – keyless bushing torque capacity with smooth shafts is higher

Easy Setup – keyless bushings allow for infinite timing adjustment



Eliminate Keyways

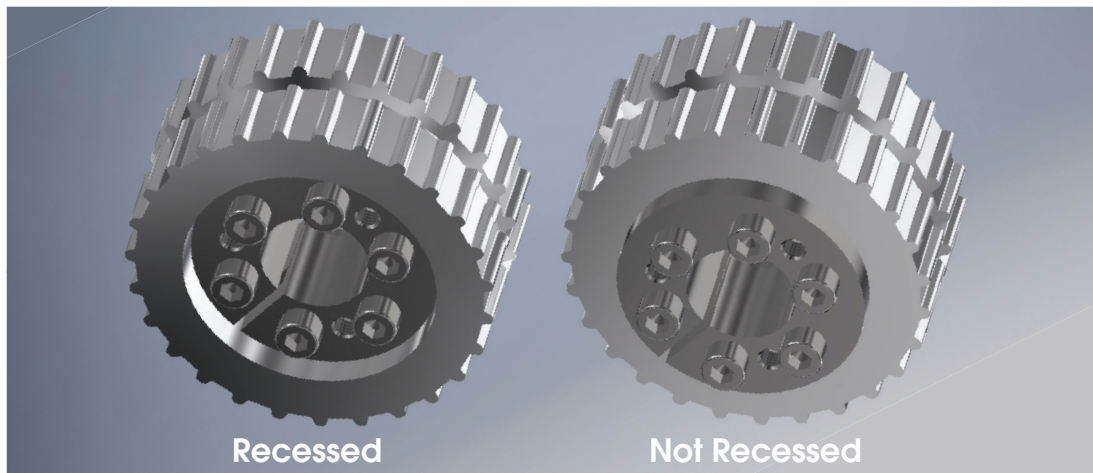


Keyless Bushings - Specification

BRECOflex engineering will assist in selecting a bushing based on the pulley, shaft size, and operating parameters. Pulley bore size, tolerance and finish will be specified to suit the selected bushing.

Locking screw tightening torque is important and marked on the bushing packaging. In some marginal applications thin wall pulleys elastic expansion of the pulley may need to be controlled with a lower recommended tightening torque.

Depending on the pulley-bushing combination and customer preference the bushing may be recessed in the pulley for a compact assembly.



While shafts without keyways are stronger, keyless bushings can also be used with keyed shafts by positioning the inner ring slit opposite keyway and a locking screw over the keyway.

