

- **Quick and easy installation by the included threaded union and seal**
- **Head made of high quality brass**
- **Transparent filter bowl coloured for light stability made of high pressure resistant plastic**
- **Quick change of filter element without tools**



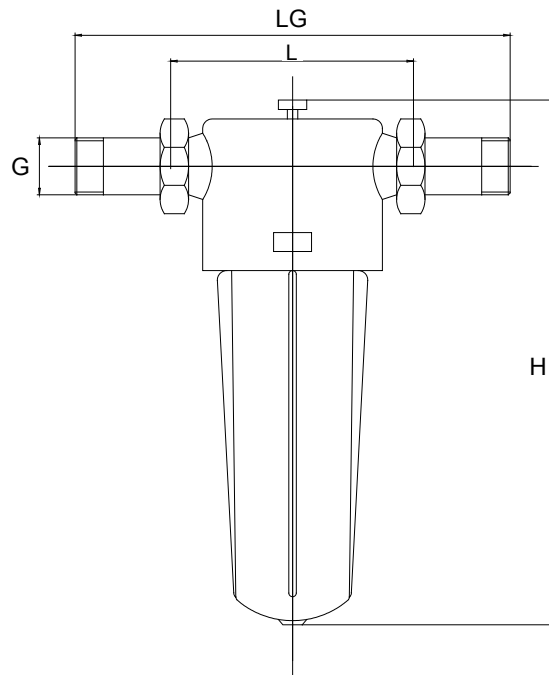
The main components of the protective filter SF are the filter head made of high quality brass, the supporting body with filter stocking and the filter bowl made of high pressure resistant plastic coloured for light stability. Due to its large filtration area, the filter element offers the best possible dirt trapping, economical operation and low maintenance. The filter element meets all hygienical requirements.

The change of filter elements is possible without any problems. The coloured filter bowl ensures a high degree of light protection, to prevent the formation of bacteria. The specific design (minimal pressure loss) and the usage of the best materials (corrosion-resistant materials, hygienic plastics, etc.) offer optimal safety for the household water supply.

Technical data:

	SF 4	SF 5	SF 6
Connection values DN	20 (3/4")	25 (1")	32 (1 1/4")
Nominal capacity [m³/h]	4	5.5	6.5
Filtration fineness [µm]	90	90	90
Max. permissible op. pressure [bar]	16	16	16
Max. permissible op. temp. [° C]	30	30	30




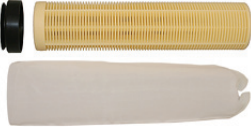
Dimensions:



	SF 4	SF 5	SF 6
Connection thread G	R 3/4"	R 1"	R 1 1/4"
Installed length L [mm] without screw connection	130	130	130
Installed length LG [mm] with screw connection	200	216	228
Overall height H [mm]	296	296	296
Minimal installed sizes in mm from the pipe centre to the wall	50	50	50
Minimal installed sizes in mm from the pipe centre to the floor	315	315	315

Ordering data:

	SF 4	SF 5	SF 6
Connection values DN	20 (3/4")	25 (1")	32 (1 1/4")
Material No.	415501017	415501018	415501019

Article	Material No.
	<p>Water meter screw connection for</p> <p>SF4 R ¾" - 1¼" 415506342</p> <p>SF5 R 1" - 1¼" 415506344</p> <p>SF6 R 1¼" - 1½" 415506345</p>
	<p>Sealing set (consisting of drain plug, gaskets) 415501029</p>
	<p>Draining set (consisting of drain plug, sealing) 415501030</p>
	<p>Filter part (consisting of filter, sealing) 415501028</p>
<p>Filter</p>	<p>415501031</p>