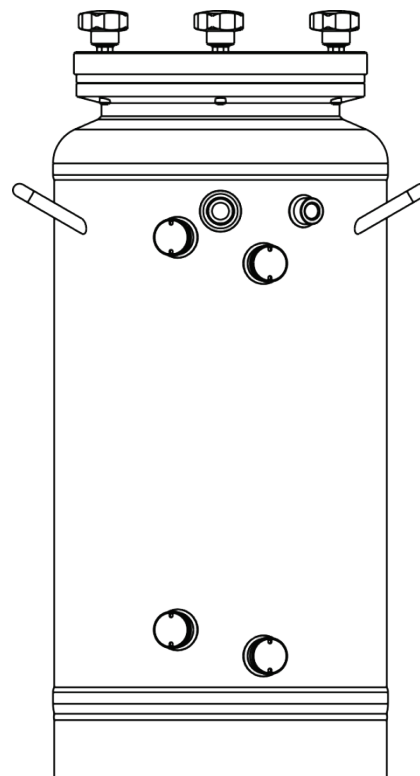
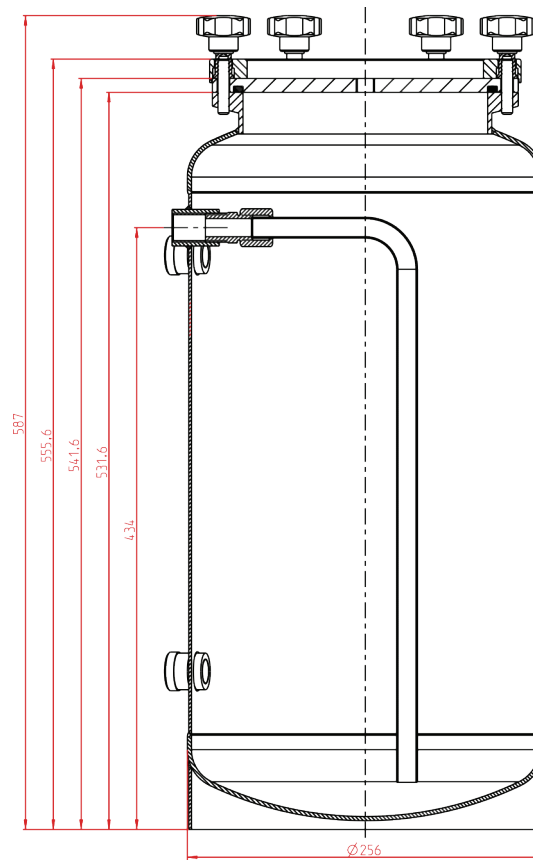


- **Capacity: 20 liter**
- **Used for low and medium viscosity media for up to 10,000 mPas**
- **Pressure in the container max. 3.8 bar**
- **1 or 2 level sensors for the indication of topping-up and empty signals available as accessories**
- **1 or 2 level sensors for the indication of full and overflowing signals available as accessories**



**Technical data:**

Filling volume	20 L
Maximum pressure	3.8 bar
Test pressure	5 bar
Operating temperature	5 – 45° C
Product	low and medium viscosity media up to 10,000 mPas
Compressed air connection	thread connection R 1/4" i
Connection to product	thread connection R 1/2" i
Vessel material	stainless steel
Lid material	aluminum
Weight	approx. 12 kg

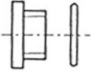
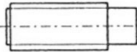
**Dimensions:****Ordering data:****Article/Nomenclature**

20 l stainless steel/aluminum pressure vessel


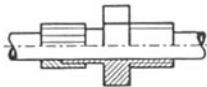
**Material no.**

39525701

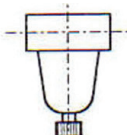

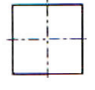
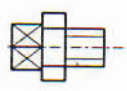
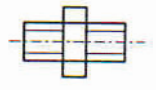
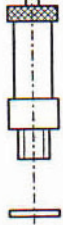

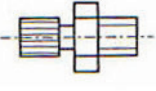
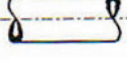

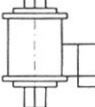
### Accessories:

	<b>Article/Nomenclature</b>	<b>Material no.</b>
	optional:	
	- <b>without indication of the topping-up and empty signals</b>	
	2 screw plugs M 32 x 1.5	39525606
	2 O-rings Ø 18 x 2	417009023
	- <b>with indication of empty signal, without indication of topping-up signal</b>	
	1 capacitive key M 18 x 1, pnp version (suitable for Multiline 1000 and 6000)	417504157
	<i>plus</i>	
	1 plug with 5 m cable	417504151
	1 screw plug M 18 x 1	39525606
	1 O-ring Ø 18 x 2	417009023
	- <b>with indication of empty and topping up signals</b>	
	2 capacitive keys M 18 x 1, pnp version (suitable for Multiline 1000 and 6000)	417504157
	<i>plus</i>	
	2 plugs with 5 m cable	417504151

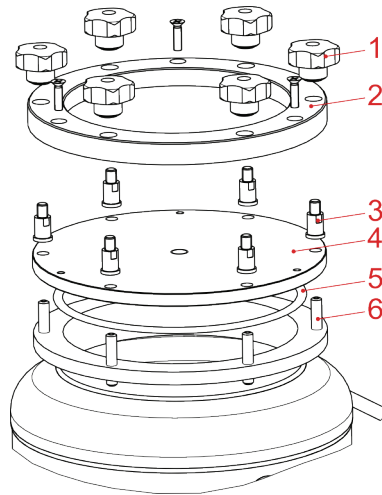
### Accessories (container outlet):

	Product hose Ø 4/6 mm material: transparent PE	417400301
	Product hose Ø 6/8 mm material: transparent PE	417400310
	Product hose Ø 4/6 mm material: PTFE	417400215
	Product hose Ø 6/8 mm material: PTFE	417400224
	Passage screw connection R 1/4" for product hose Ø 4/6 mm, material: PA	39520412
	Passage screw connection R 1/4" for product hose Ø 6/8 mm, material: PA	39520413

### Accessories (container inlet):

	<b>Article/Nomenclature</b>	<b>Material no.</b>
	Pressure control valve 0 – 1.6 bar 2 x R 1/4", 1 x R 1/8"	415501005
	Pressure control valve 0 - 4 bar	415501009
	Pressure gauge R 1/8", 0 – 1.6 bar	415502554
	Pressure gauge R 1/8", 0 - 6 bar	415502555
	Al distributor piece 4 x R 1/4"	39030101
	Blank plug R 1/4" material: brass	415203702
	Double nipple R 1/4", brass material: brass	415203582
	Safety valve R 1/4", 1.6 bar	415503660
	Safety valve R 1/4", 3.8 bar	415700006
	Sealing ring for safety valve	417010103
	Straight screw connection R 1/4", Al for compressed air hose Ø 4/6 mm	415100777
	Compressed air hose Ø 4/6 mm material: blue PE max. 50 m	417400352
	Reducing nipple R 1/4" - R 1/8" material: brass	415204771
	Filling valve (coaxial) for automatic filling of the container with oil	J16-13

Spare parts:



Item	Article/Nomenclature	Material No.
1	ELESA Star knob	419800791
2	Vessel retaining ring	39525604
3	Lid screw	39525605
4	Lid	39525603
5	O-Ring Ø179.2 x 5.7	417003240
6	Set screw M 8 x 40, DIN 913	413405091