

- **Pneumatically driven container pump for the direct delivery of low, medium and high viscosity materials, such as greases, adhesives, sealing compounds, etc. from containers holding up to 10 liters**
- **Delivery of substances to manual guns, discharge or metering valves**
- **With maintenance unit, consisting of: main valve with venting, water separator, oiler, pressure reducing valve with pressure gauge for air motor, all the necessary outgoing leads and screw connections**



Technical data:

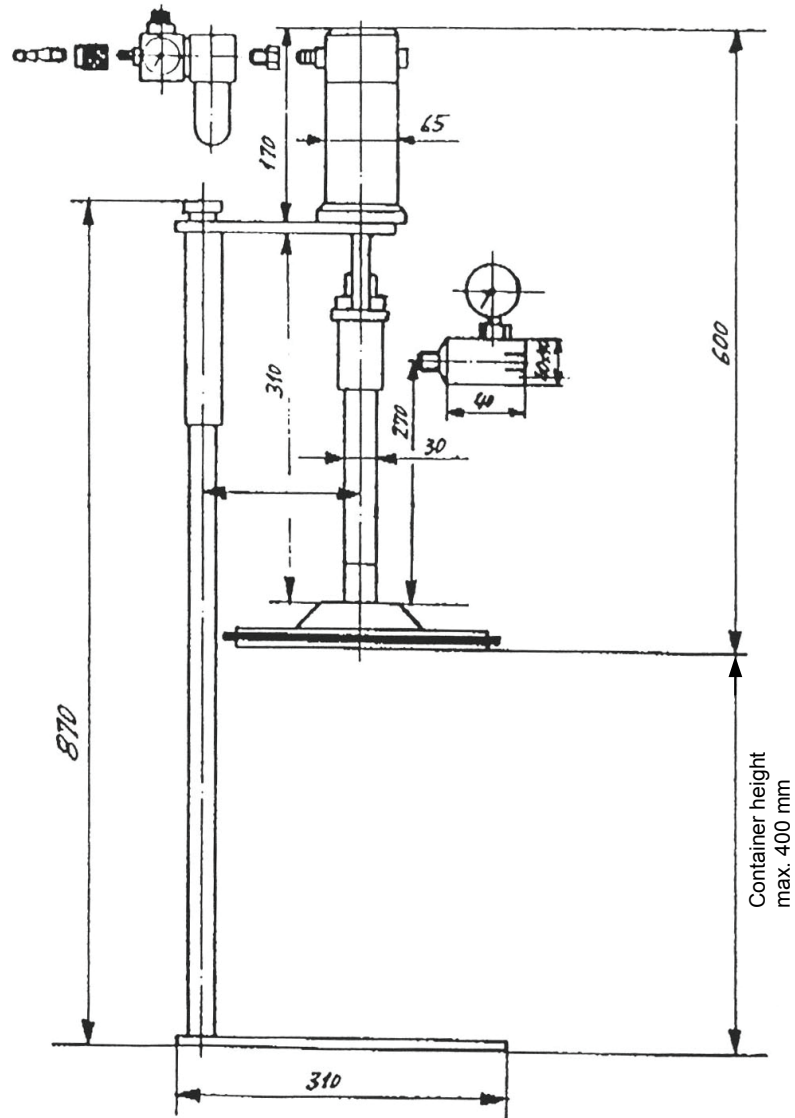
Viscosity range	from weak paste-like to 500,000 mPas
Delivery rate	4 ml per double stroke
Capacity	max. 40 double strokes/min.
Air pressure	2 - 6 bar
Intensification ratio	20 : 1
Material pressure	10 - 120 bar

Connections:

Compressed air	R 1/4", DN min. 6 mm
Material	R 1/4" i

Dimensions:

Container height	max. 400 mm
Container diameter	90 - 220 (250) mm
Height	max. 1100 mm
Base	length 310 mm, width 250 mm
Length of immersion tube	280 mm
Weight	approx. 20 kg




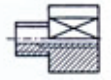
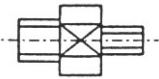
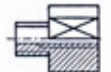
Dimensions:**Ordering data:****Article/Nomenclature**

Mini container pump
complete with maintenance unit

Material no.

J20-01

Accessories:

	Article/Nomenclature	Material no.
	Level control for mini container pump	
	High pressure hose DN 6 for lipids, union nut R 1/4" on both ends, 400 bar	J22-01
	High pressure hose DN 6 encased in PTFE - VA, union nut R 1/4" on both ends, 240 bar	J22-02
	High pressure hose DN 10 for lipids, union nut R 3/8" on both ends, 350 bar	J22-03
	High pressure hose DN 10 encased in PTFE-VA, union nut R 3/8", 175 bar	J22-04
	Material pressure controller I 16 Product connection R 3/8", 0 - 50 bar	415705012
	Product connection R 3/8", 3 - 150 bar	J21-02
	Pressure gauge 0 - 60 bar	415705013
	Pressure gauge 0 - 400 bar	J21-12
	Reducer piece R 3/8"a - R 1/4"i material: V2A	
	Reducing double nipple with conical seal R 1/4" - R 3/8", material: V2A	
	Reducer piece R 1/4"a - R 3/8"i material: V2A	