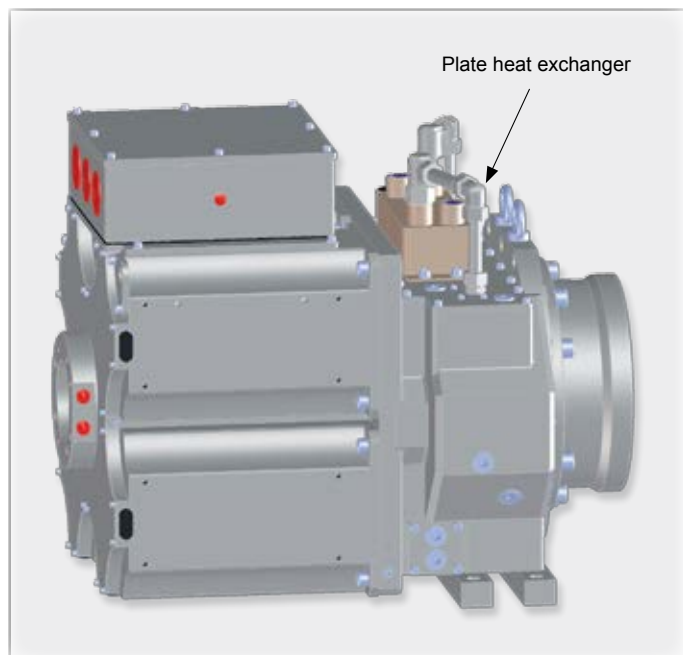


Model range CMG 05 - CMG 601 – Technical data



Gear cooling with plate heat exchanger

In the standard version, the gear is cooled by an integrated cooling coil. For greater powers, it is recommended to install a plate heat exchanger. This cooling principle represents a very effective, economical and proven solution.

Temperature sensor can be installed in the gear housing to monitor the oil temperature.

Incremental rotary encoder

An incremental rotary encoder is installed in the hollow shaft version for speed control. This is linked directly to the rotor shaft of one motor assembly. It is connected by a 12-pole flange socket with pin contacts.

Motor protection

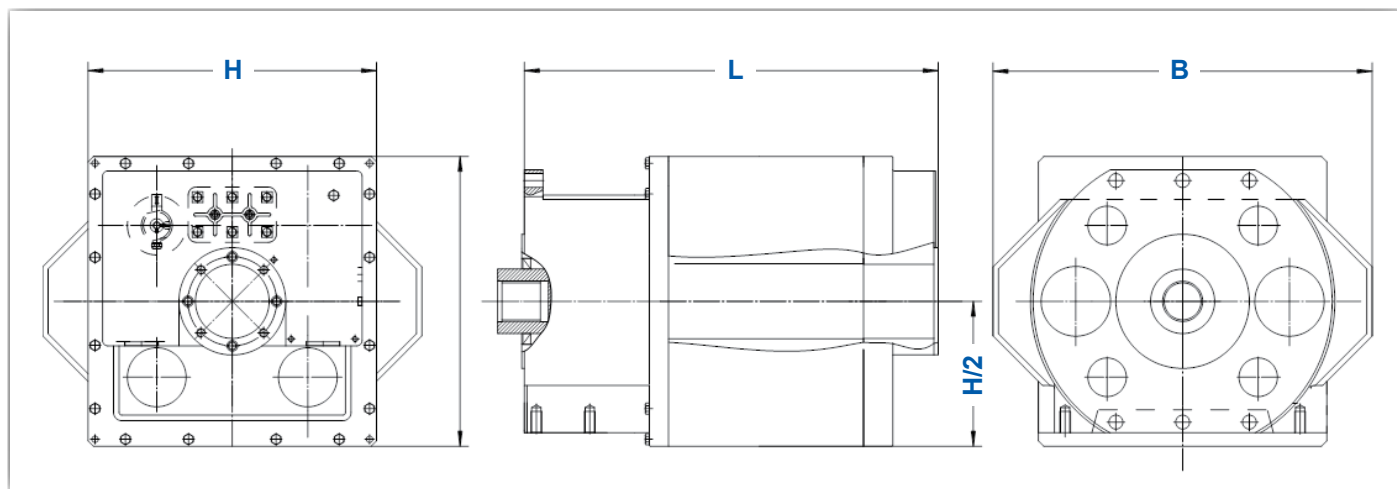
All motor assemblies are equipped with PTC cold conductor full protection as standard. Two motor assemblies are fitted additionally with KTY temperature sensors. This allows cooling water control.

Performance data

Type CMG	05	10	20	31	61	121	241	401	601
Rated motor data	400 V / 50 Hz / 1,500 rpm								
Rated power P_N (kW)	6	18	22	60	88	147	256	440	1,000
Rated current I_N (A)	13.5	37	50	121	176	284	466	810	1,760
Rated torque M_N (Nm)	40	120	148	392	576	964	1,660	2,830	6,440
Operation on the frequency inverter	400 V / 87 Hz / 2,600 rpm								
max. power P_{max} (kW)	10.5	27	33	90	132	221	384	660	-
Rated current I_N (A)	23.5	63	87	210	305	492	810	1,660	-
Rated torque M_N (Nm)	35	105	127	338	496	830	1,430	2,440	-
Gear data	PTO torques depending on the gear reduction and drive power								
Torque 1-stage max. (Nm)	500	1,500	3,000	4,000	8,000	15,000	20,000	28,000	60,000
Torque 2-stage max. (Nm)	1,200	3,000	4,000	8,000	16,000	30,000	48,000	68,000	150,000
Rated reductions 1-stage	2.5 / 3.1 / 3.9 / 4.9 / 6.1 / 7.7 / 9.6 / 12								
Rated reductions 2-stage	15 / 18.8 / 23.5 / 29								

Model range CMG 05 - CMG 601 – Dimensions and weights

Main dimensions



Type CMG	05	10	20	31	61	121	241	401	601
H (mm)	280	340	380	450	540	630	700	-	-
L (mm)	460	460	485	560	770	880	990	-	-
B (mm)	350	430	470	570	710	870	980	-	-

Weights*

Type CMG	05	10	20	31	61	121	241	401	601
Standard 1-stage (kg)	55-70	150-170	150-180	365-470	750-830	1,160-1,850	-	-	-
Standard 2-stage (kg)	85-100	170-190	170-200	415-520	850-930	1,290-1,980	2,000-2,340	3,200-3,500	-
Extruder 1-stage (kg)	65-80	175-195	210-240	465-570	870-950	1,410-2,000	-	-	-
Extruder 2-stage (kg)	95-110	195-215	240-270	515-620	970-1,050	1,540-2,130	2,400-2,740	4,000-4,200	-

* The specified weights are recommended values and may vary depending on the version.

Advantages in extruder drive:

Unlike a conventional sure gear with three-phase current motor is U or Z design, a CMG in extruder version has an absolutely short design at the same performance.

A great advantage here is the reduction in the space required by the gear section which results in a much lower gear oil requirement.



CMG 10 in extruder version