

L-force

Geared servo motors



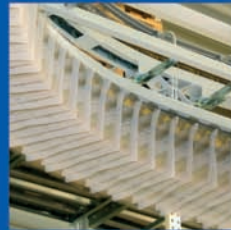
Dynamic, powerful and compact



Lenze

This is what we stand for.

You want to implement your machine and plant concepts efficiently and easily or optimise existing concepts to reduce costs? Then, Lenze is the partner you are looking for. For more than 60 years, drive and automation systems have been our core competence.

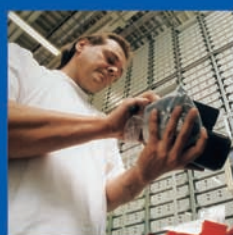


Drive and automation technology from Lenze keep things moving – for example in the areas of materials handling, robotics and component handling as well as in packaging facilities for the intralogistics and automotive sectors and the food and beverage industries.

Lenze | about us

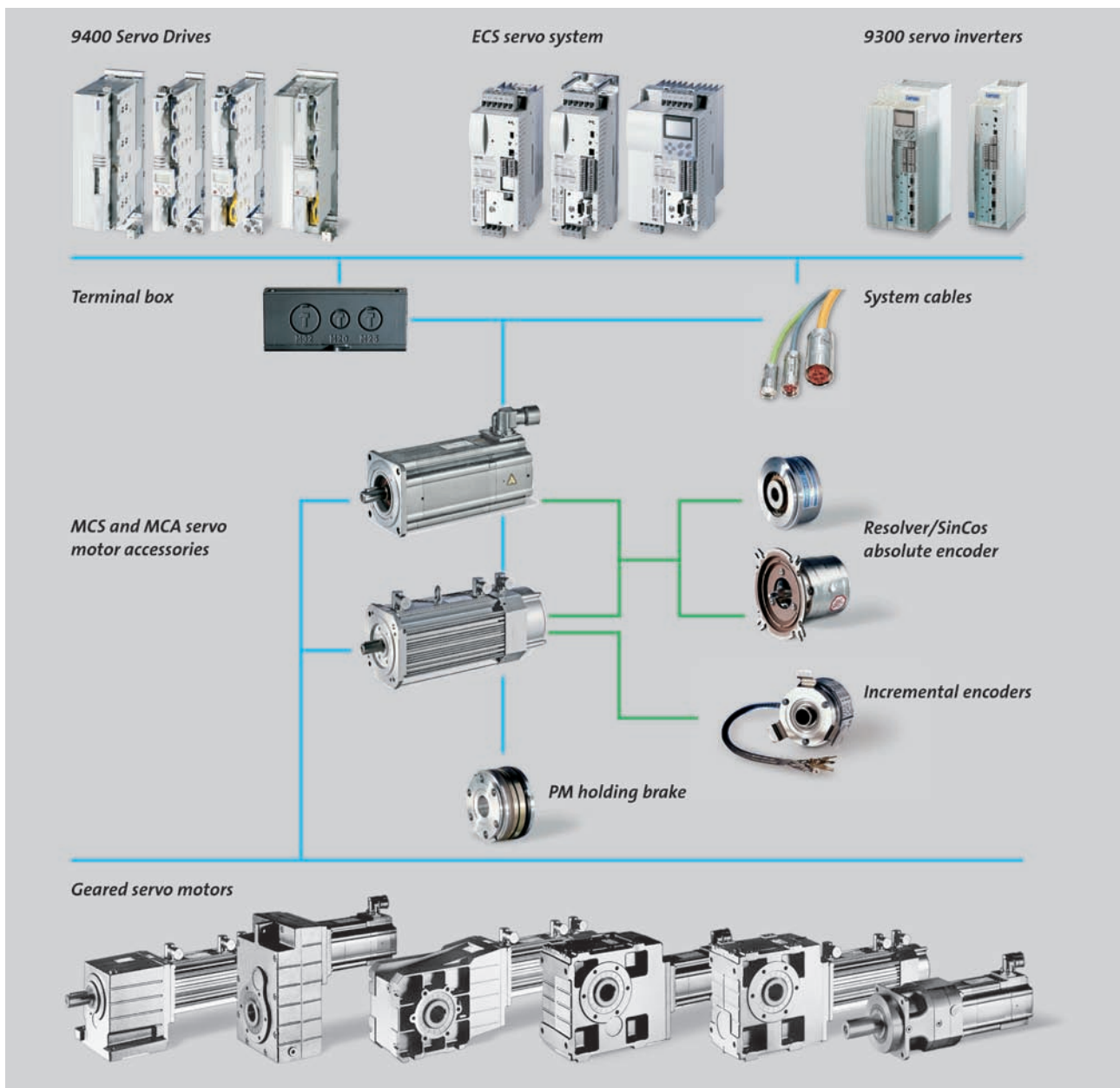
We can offer you automation solutions, including control, visualisation and drive technology, from a single source. Our drive systems will improve the performance of your machines. From project planning to commissioning, we have the know-how, while our international sales and service network can provide you with expert help and advice at any time.

Cut your process costs and increase your competitiveness. Let us analyse your drive technology tasks and support you with tailor-made solutions. The scalability of our products and the scope of our portfolio allow us to take a holistic approach to projects. We can get the best from your machines and systems.



At your side all over the world – with thorough and professional support from our motivated team.

System overview | Geared servo motors



Further catalogues

This catalogue describes geared servo motors in the G-motion Servo MC series. Further components in the above system overview may be found in the following catalogues:

Components	Catalogue
9400 Servo Drives	▶ 9400 Servo Drives
ECS servo system	▶ ECS servo system
9300 servo inverter	▶ 9300 servo inverter
MCS/MCA servo motors and built-on accessories	▶ Servo motors

Overview | Geared servo motors

Contents _____ 6



General information _____ 14



Drive dimensioning _____ 33



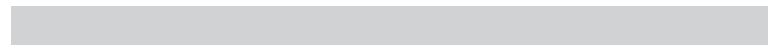
GST helical gearbox _____ 65



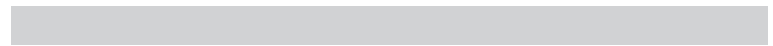
GFL shaft-mounted helical gearbox _____ 273



GPA planetary gearbox _____ 451



GKR bevel gearbox _____ 485



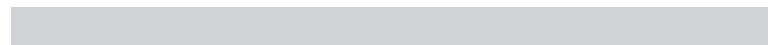
GKS helical-bevel gearbox _____ 539



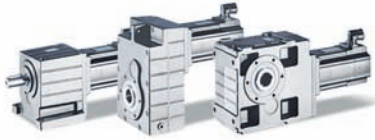
GSS helical-worm gearbox _____ 705



Servo motors _____ 801



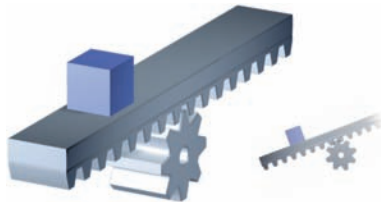
Contents | Geared servo motors



General information

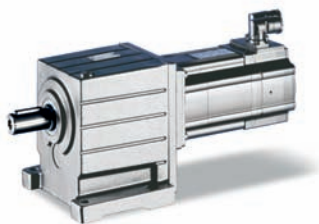
Product keys, mounting positions, position of the system blocks, versions, options and order details checklist > as an insert in the front of the catalogue or _____	14
Product information _____	28
List of abbreviations _____	29
Definitions _____	31
Notes on ordering _____	32

Drive dimensioning



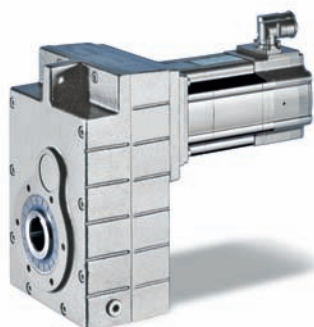
Our service _____	33
Aim of dimensioning _____	34
Scope _____	36
Operating modes _____	37
Operating mode S1 _____	38
Operating modes S2, S3 and S6 _____	41
Speed profiles _____	45
Maximum gearbox input speeds _____	50
Recommended motors for operating modes S1 and S6 _____	50
Speed correction factors _____	51
Additional radial force factors/Application factors _____	52
Application factors/efficiencies _____	53
General data _____	61
Ventilation _____	63
Lubricants _____	64

GST helical gearbox



GST [N]	
Permissible radial and axial forces at output	65
GST [']	
Output backlash in angular minutes	69
GST [⊗]	
Ventilation	71
Position of ventilation, sealing elements and oil control	71
Compensation reservoir for mounting position C	74
GST [kg]	
Weights	75
GST [i]	
Ratios	82
GST [Nm]	
Selection tables	92
GST□□-□S (MCS)	92
GST□□-□A (MCA)	176
GST [mm]	
Dimensions	234
GST□□-1S (MCS)	234
GST□□-2S (MCS)	240
GST□□-3S (MCS)	246
GST□□-1A (MCA)	252
GST□□-2A (MCA)	258
GST□□-3A (MCA)	264
GST & [mm]	
Further gearbox dimensions	270
VAR output side	270
VAL output side	271

GFL shaft-mounted helical gearbox



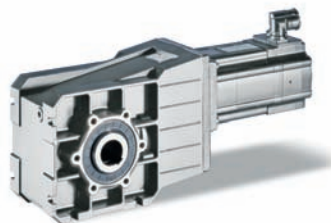
GFL [N]	
Permissible radial and axial forces at output	273
GFL [']	
Output backlash in angular minutes	276
GFL [⊗]	
Ventilation	277
Position of ventilation, sealing elements and oil control	277
Compensation reservoir for mounting position C	279
GFL [kg]	
Weights	280
GFL [i]	
Ratios	283
GFL [Nm]	
Selection tables	290
GFL□□-□S (MCS)	290
GFL□□-□A (MCA)	362
GFL [mm]	
Dimensions	412
GFL□□-2S (MCS)	412
GFL□□-3S (MCS)	420
GFL□□-2A (MCA)	428
GFL□□-3A (MCA)	436
GFL & [mm]	
Further gearbox dimensions	444
Hollow shaft with shrink disc	444
Foot mounting in position 3	446
Foot mounting in position 4	447
Rubber buffer for torque plate	448
Mounting set for hollow shaft circlip Proposed design for auxiliary tools	449



GPA planetary gearbox

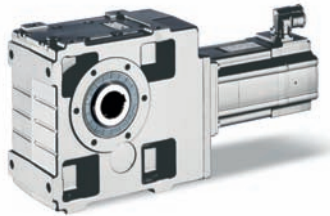
GPA [N]	
Permissible radial and axial forces at output	451
GPA [']	
Output backlash in angular minutes	452
Torsional stiffness	452
GPA [kg]	
Weights	453
GPA [Nm]	
Selection tables	456
GPA□□-□S (MCS)	456
GPA□□-□A (MCA)	467
GPA [mm]	
Dimensions	476
GPA□□-1S (MCS)	476
GPA□□-2S (MCS)	478
GPA□□-1A (MCA)	480
GPA□□-2A (MCA)	482

GKR bevel gearbox



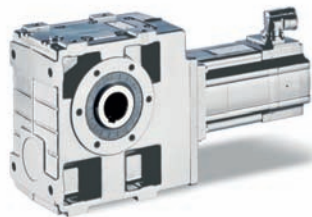
GKR [N]	
Permissible radial and axial forces at output	485
GKR [']	
Output backlash in angular minutes	488
GKR [⊗]	
Ventilation	489
Position of ventilation	489
GKR [kg]	
Weights	490
GKR [i]	
Ratios	492
GKR [Nm]	
Selection tables	495
GKR□□-2S (MCS)	495
GKR□□-2A (MCA)	510
GKR [mm]	
Dimensions	516
GKR□□-2S (MCS)	516
GKR□□-2A (MCA)	524
GKR & [mm]	
Further gearbox dimensions	532
Hollow shaft with shrink disc	532
Hoseproof hollow shaft cover	533
Gearbox with 2nd output shaft end	533
Rubber buffer for torque plate	534
GKR03/04 Torque plate at threaded hole circle in position 3	535
GKR03/04 Torque plate at threaded hole circle in position 5	535
GKR05/06 Torque plate at threaded hole circle in position 3	536
GKR05/06 Torque plate at threaded hole circle in position 5	536
GKR05 / 06 Torque plate at casing foot in position 4 or 6	537
Mounting set for hollow shaft circlip Proposed design for auxiliary tools	537

GKS helical-bevel gearbox



GKS [N]	
Permissible radial and axial forces at output	539
GKS [']	
Output backlash in angular minutes	542
GKS [⊗]	
Ventilation	543
Position of ventilation, sealing elements and oil control	543
Compensation reservoir for mounting position C	545
GKS [kg]	
Weights	546
GKS [i]	
Ratios	549
GKS [Nm]	
Selection tables	558
GKS□□-□S (MCS)	558
GKS□□-□A (MCA)	620
GKS [mm]	
Dimensions	666
GKS□□-3S (MCS)	666
GKS□□-4S (MCS)	674
GKS□□-3A (MCA)	682
GKS□□-4A (MCA)	690
GKS & [mm]	
Further gearbox dimensions	698
Hollow shaft with shrink disc	698
Hoseproof hollow shaft cover	699
Gearbox with 2nd output shaft end	700
Torque plate at threaded pitch circle in position 3	701
Torque plate at threaded pitch circle in position 5	701
Torque plate at casing foot in position 2, 4 or 6	702
Mounting set for hollow shaft circlip Proposed design for auxiliary tools	703

GSS helical-worm gearbox



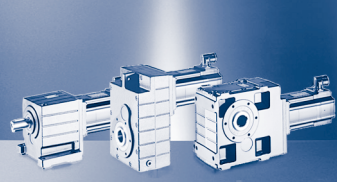
GSS [N]	
Permissible radial and axial forces at output	705
GSS [⊗]	
Ventilation	707
Position of ventilation, sealing elements and oil control	707
GSS [kg]	
Weights	709
GSS [i]	
Ratios	712
GSS [Nm]	
Selection tables	716
GSS□□-□S (MCS)	716
GSS□□-□A (MCA)	746
GSS [mm]	
Dimensions	764
GSS□□-2S (MCS)	764
GSS□□-3S (MCS)	772
GSS□□-2A (MCA)	780
GSS□□-3A (MCA)	788
GSS & [mm]	
Further gearbox dimensions	796
Hollow shaft with shrink disc	796
Hoseproof hollow shaft cover	797
Gearbox with 2nd output shaft end	797
Torque plate at threaded pitch circle in position 3	798
Torque plate at threaded pitch circle in position 5	798
Torque plate at casing foot in position 2, 4 or 6	799
Mounting set for hollow shaft circlip Proposed design for auxiliary tools	800

Contents | Geared servo motors



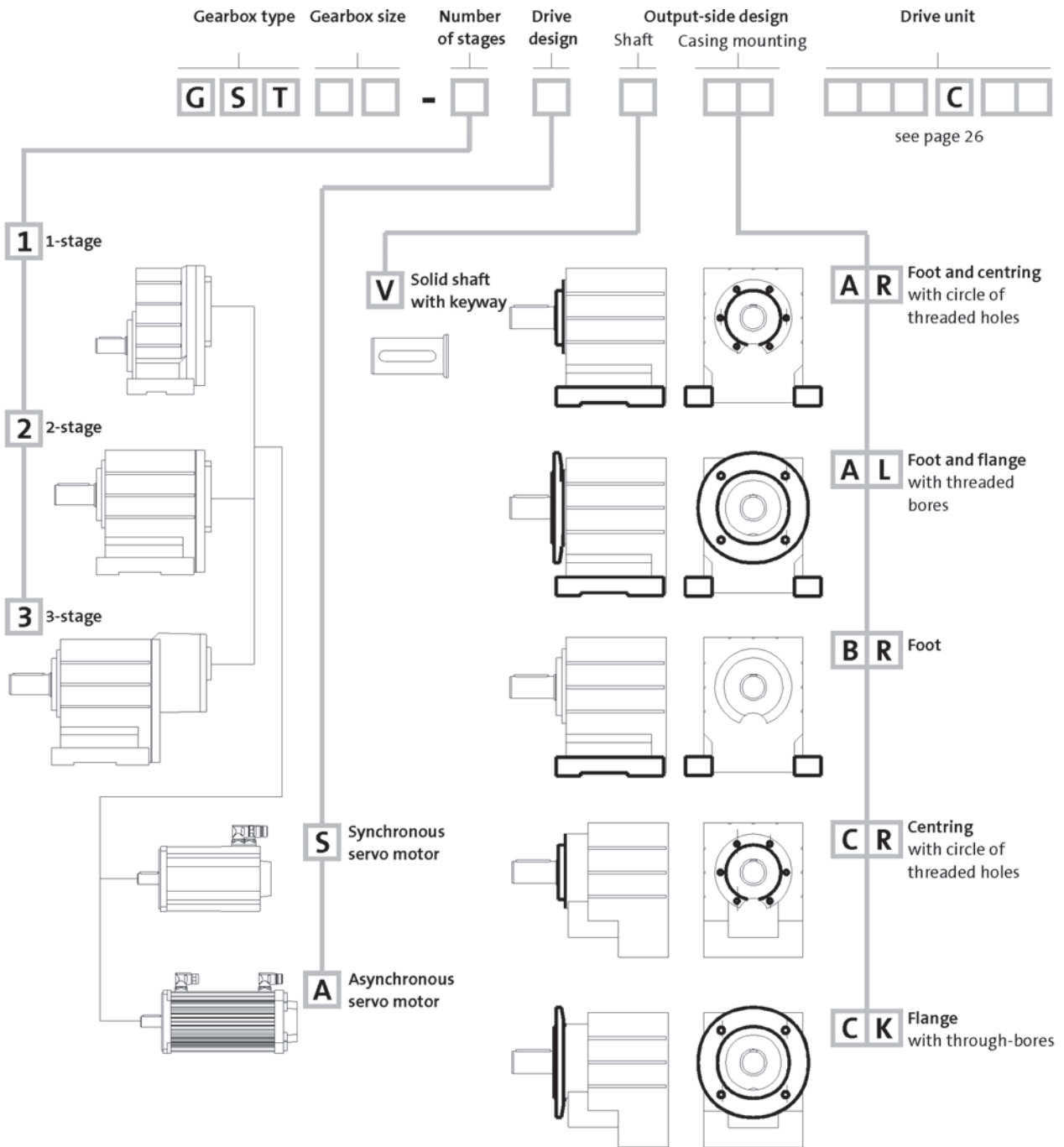
Servo motors

MCS & [mm]	
Further dimensions motors	801
MCS synchronous servo motors with encoder/resolver	801
Terminal box for motor connection	802
MCA & [mm]	
Further dimensions motors	803
MCA asynchronous servo motors with encoder/resolver	803
Connectors for motor connection	804
Terminal box for motor connection	808



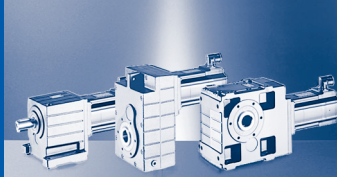
General information

Helical gearbox product key

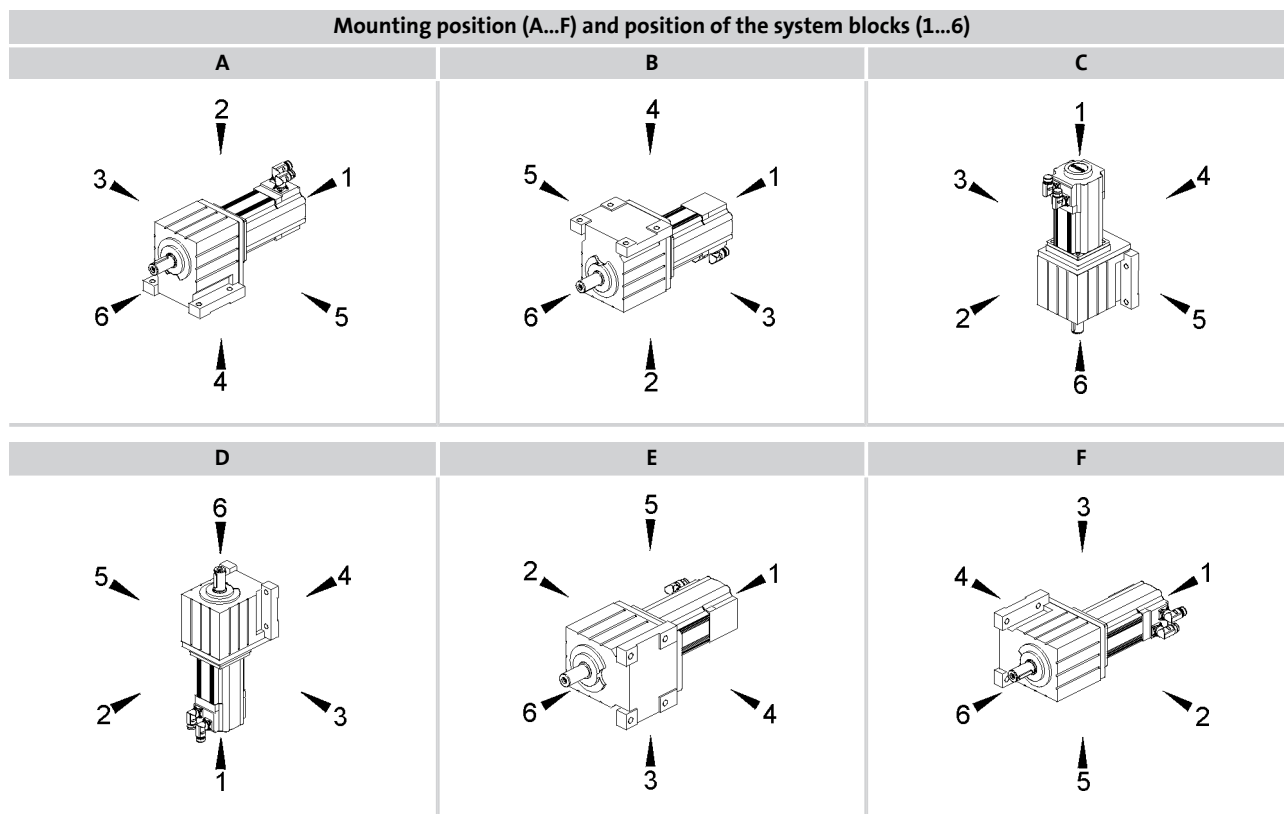


	Output-side design		
	V	K	L
	d x l [mm]	Øa2 [mm]	Øa2 [mm]
GST03-2	14x28	120/140/160	
	20x40	120/140/160	
GST04-1	16x32	120/140/160	
GST04-2	20x40	120/140/160	120/140
GST05-1	20x40	120/140/160/200	
GST05-2/3	25x50	120/140/160/200	120/140/160
GST06-1	25x50	160/200	

	Output side design		
	V	K	L
	d x l [mm]	Øa2 [mm]	Øa2 [mm]
GST06-2/3	30x60	160/200	160/200
GST07-1	30x60	200/250	
GST07-2/3	40x80	200/250	200/250
GST09-1	40x80	250/300	
GST09-2/3	50x100	250/300	250/300
GST11-2/3	60x120	300/350	300/350
GST14-2/3	80x160	350/400	350/400



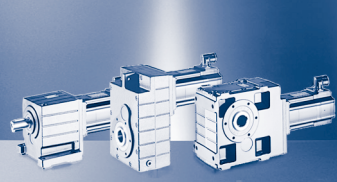
Mounting position (A...F) and position of the system blocks (1...6)



Connector/terminal box: 2, 3, 4, 5

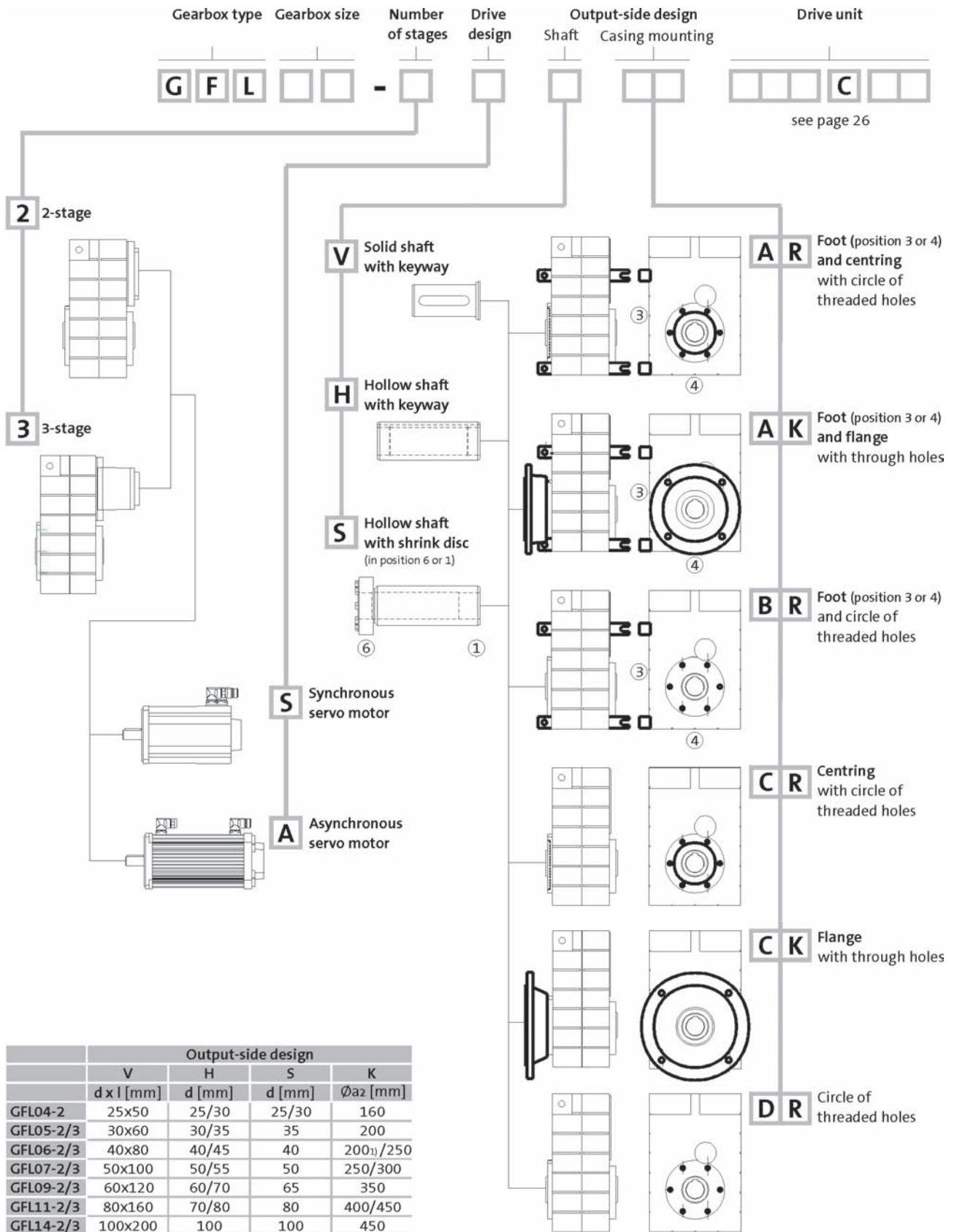
Basic versions	
Colour	Grey primer RAL 9005 (jet black matt) paint
Lubricant	Synthetic CLP HC 320
Ventilation	Oil control plugs for GST05 - 14 Breather elements for GST06...14
Options	
Colour	Special paint in accordance with RAL
Lubricant	CLP HC 220 USDA H1
Ventilation	Breather elements for GST05 Compensation reservoir for GST09...14 in mounting position C
Bearing	GST04 ... 09-2: Reinforced driven shaft
Shaft sealing rings	Driven shaft: Viton

Ordering details checklist	
Product key	GST...
Ratio	$i = \dots$
Shaft diameter	$d = \dots$ [mm]
Flange diameter	$a_2 = \dots$ [mm]
Mounting position	A, B, C, D, E, F
Position of system blocks	Connector/terminal box: 2, 3, 4, 5
Colour	
Options	



General information

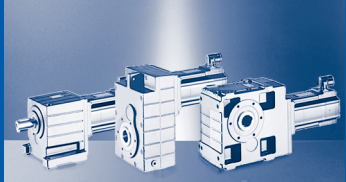
Shaft-mounted helical gearbox product key



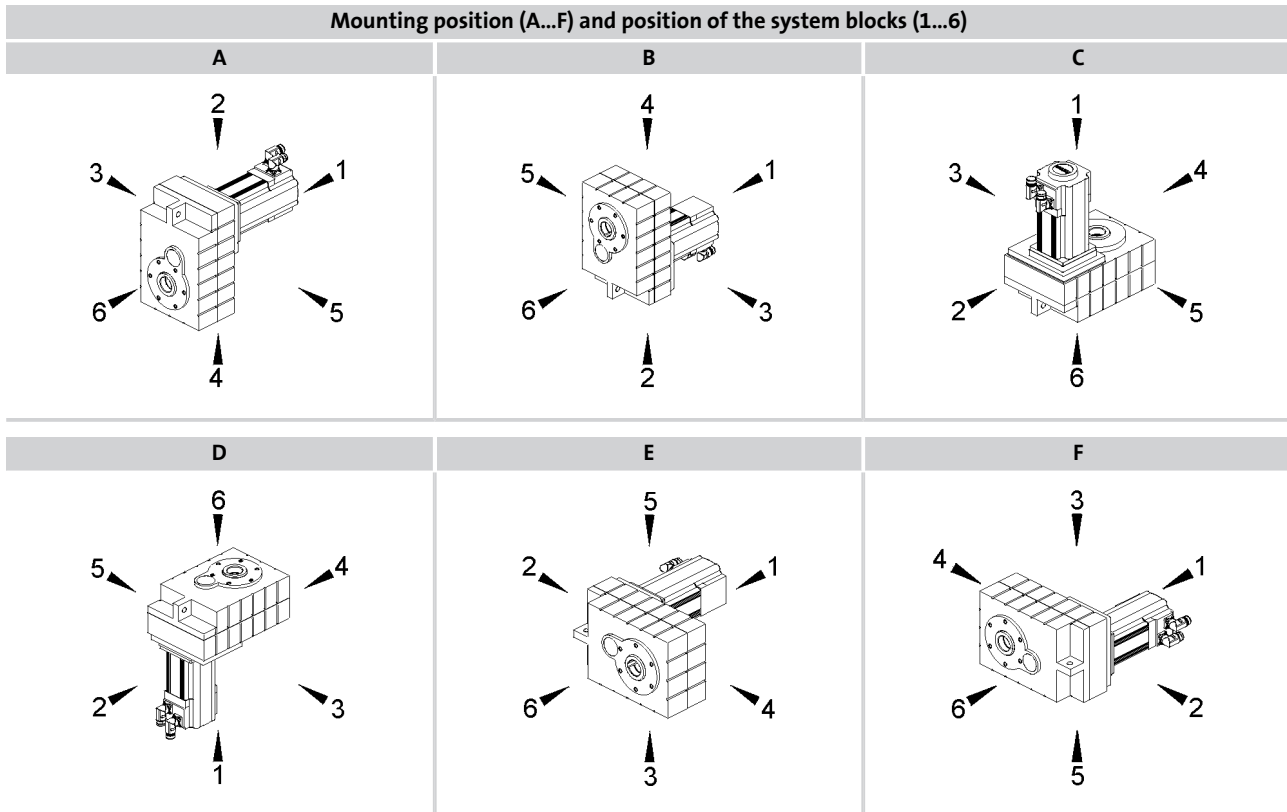
1) Only with output-side design H and S

General information

Shaft-mounted helical gearbox product key



Mounting position (A...F) and position of the system blocks (1...6)

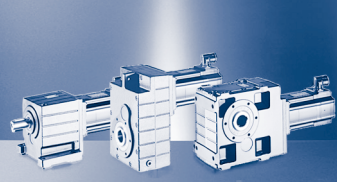


Solid shaft: 6
Hollow shaft: 0
Hollow shaft with shrink disc: 1, 6

Without foot: 0
Foot: 3, 4
Connector/terminal box: 2, 3, 4, 5

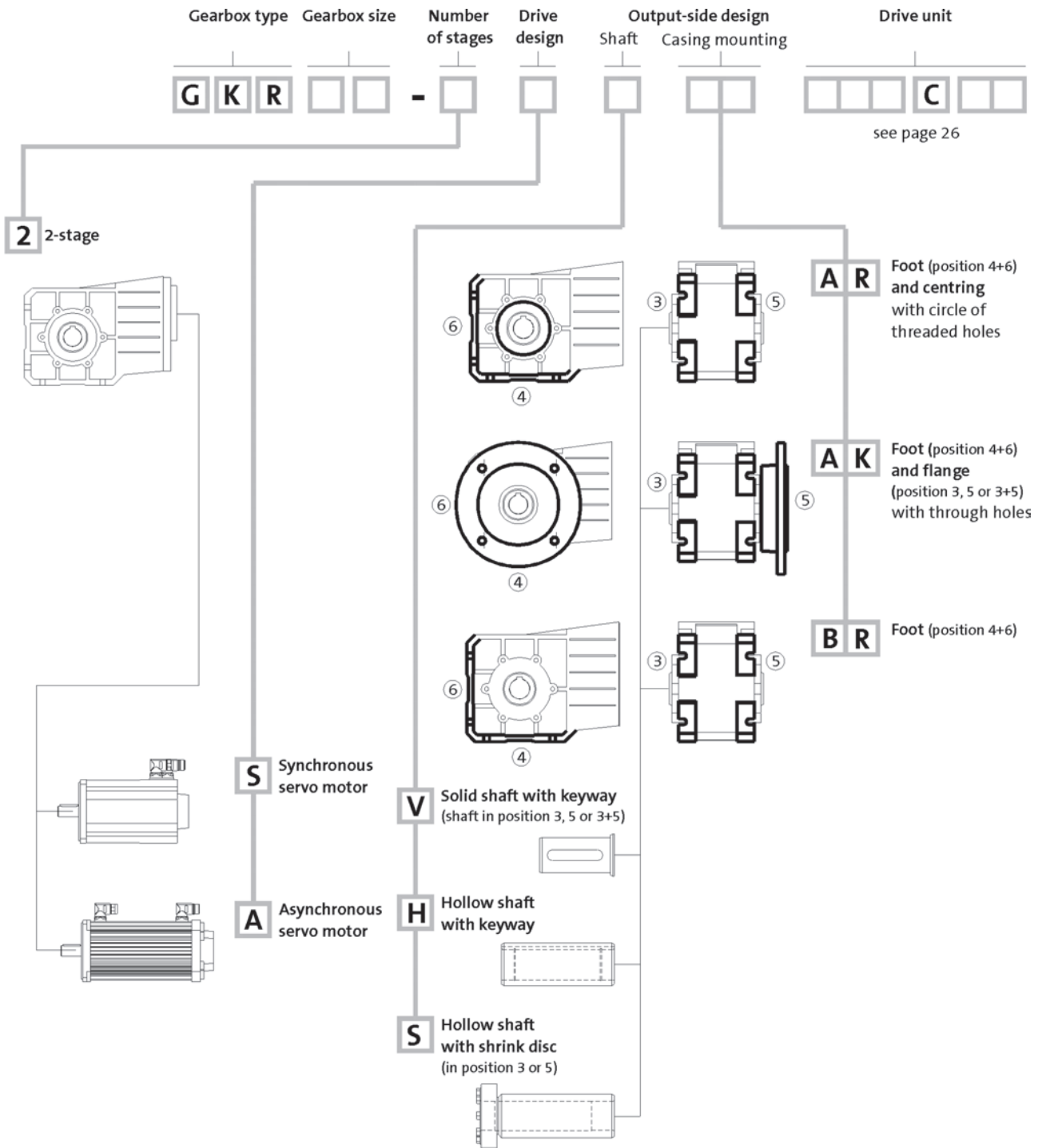
Basic versions	
Colour	Grey primer RAL 9005 (jet black matt) paint
Lubricant	Synthetic CLP HC 320
Ventilation	Oil control plugs for GFL05 - 14 Breather elements for GFL06...14
Options	
Colour	Special paint in accordance with RAL
Lubricant	CLP HC 220 USDA H1
Ventilation	Breather elements for GFL05 Compensation reservoir for GFL09...14 in mounting position C
Shaft sealing rings	Driven shaft: Viton
Accessories	Rubber buffer for torque plate Cover shrink disc Hollow shaft circlip assembly kit

Ordering details checklist	
Product key	GFL...
Ratio	$i = \dots$
Shaft diameter	$d = \dots$ [mm]
Flange diameter	$a_2 = \dots$ [mm]
Mounting position	A, B, C, D, E, F
Position of system blocks	Shaft: 0, 1, 6 Foot: 0, 3, 4 Connector/terminal box: 2, 3, 4, 5
Colour	
Options	

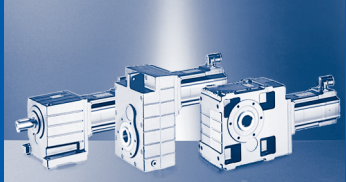


General information

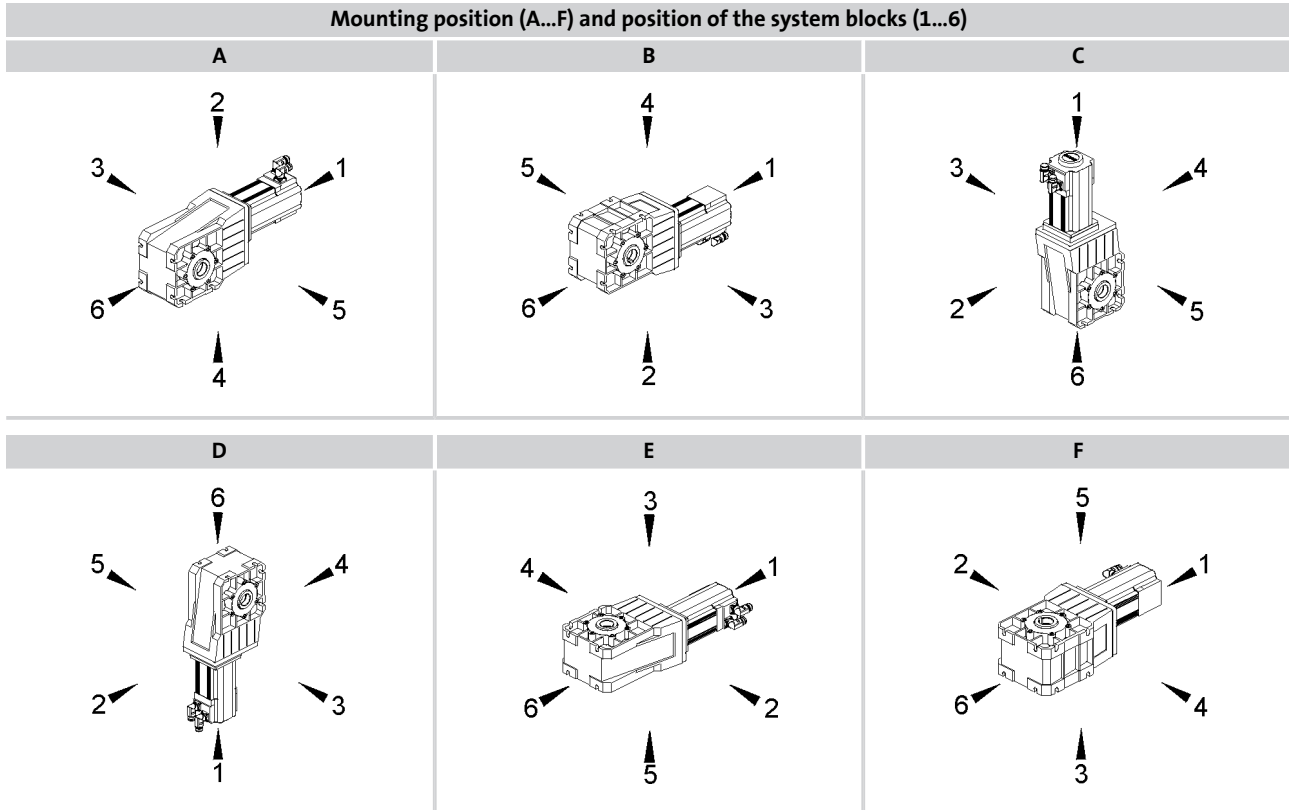
Bevel gearbox product key



	Output-side design			
	V	H	S	K
	d x l [mm]	d [mm]	d [mm]	Øa2 [mm]
GKR03-2	20x40	18/20	20	110/120
GKR04-2	20x40	20/25	20	120/160
GKR05-2	30x60	30/35	30/35	160/200
GKR06-2	35x70	40/45	40	200/250



Mounting position (A...F) and position of the system blocks (1...6)

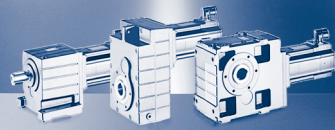


Solid shaft: 3, 5, 8 (3+5)
 Hollow shaft: 0
 Hollow shaft with shrink disc: 3, 5

Without flange: 0
 Flange: 3, 5, 8 (3+5)
 Connector/terminal box: 2, 3, 4, 5

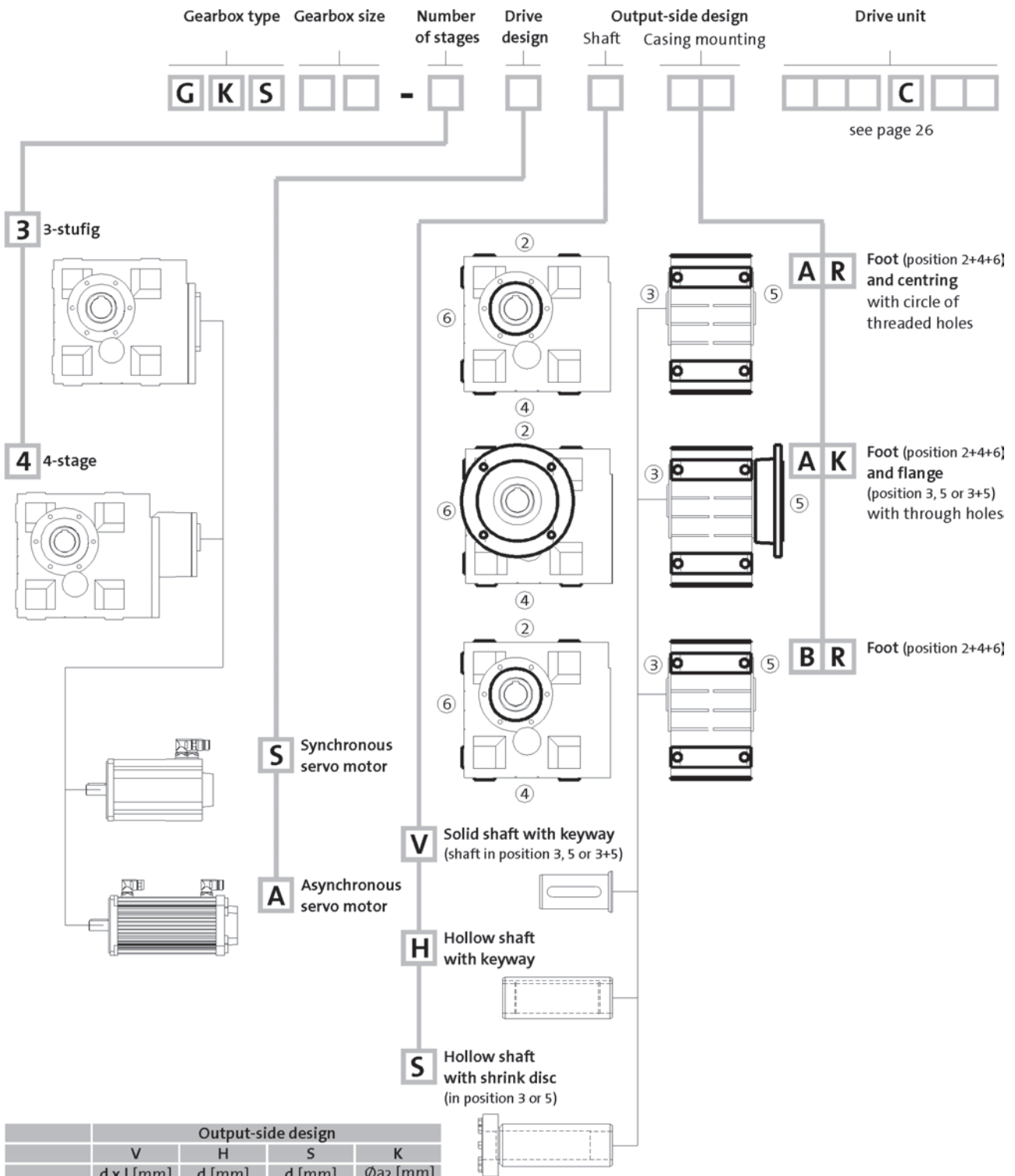
Basic versions	
Colour	Grey primer RAL 9005 (jet black matt) paint
Lubricant	Synthetic CLP HC 320
Ventilation	Breather elements for GKR06
Options	
Colour	Special paint in accordance with RAL
Lubricant	CLP HC 220 USDA H1
Shaft sealing rings	Driven shaft: Viton
Accessories	Rubber buffer for torque plate (GKR03/04 only) Threaded hole circle torque plate Torque plate for casing foot (GKR05/06 only) 2nd output shaft end Cover shrink disc Hoseproof hollow shaft cover Hollow shaft circlip assembly kit

Ordering details checklist	
Product key	GKR...
Ratio	$i = \dots$
Shaft diameter	$d = \dots$ [mm]
Flange diameter	$a_2 = \dots$ [mm]
Mounting position	A, B, C, D, E, F
Position of system blocks	Shaft: 3, 5, 8 Flange: 0, 3, 5, 8 Connector/terminal box: 2, 3, 4, 5
Colour	
Options	



General information

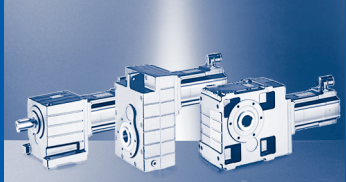
Helical-bevel gearbox product key



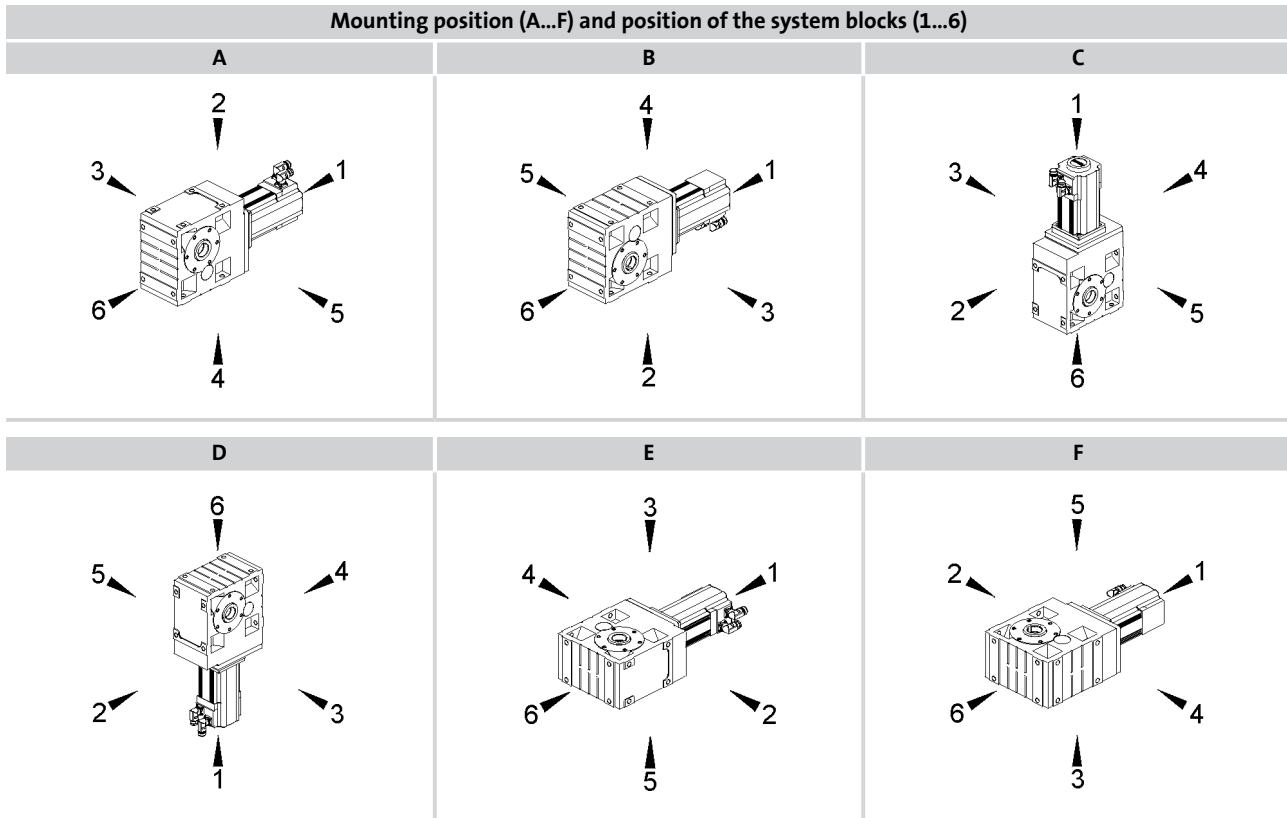
1) Only with output-side design H and S

General information

Helical-bevel gearbox product key



Mounting position (A...F) and position of the system blocks (1...6)

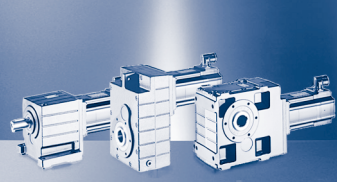


Solid shaft: 3, 5, 8 (3+5)
 Hollow shaft: 0
 Hollow shaft with shrink disc: 3, 5

Without flange: 0
 Flange: 3, 5, 8 (3+5)
 Connector/terminal box: 2, 3, 4, 5

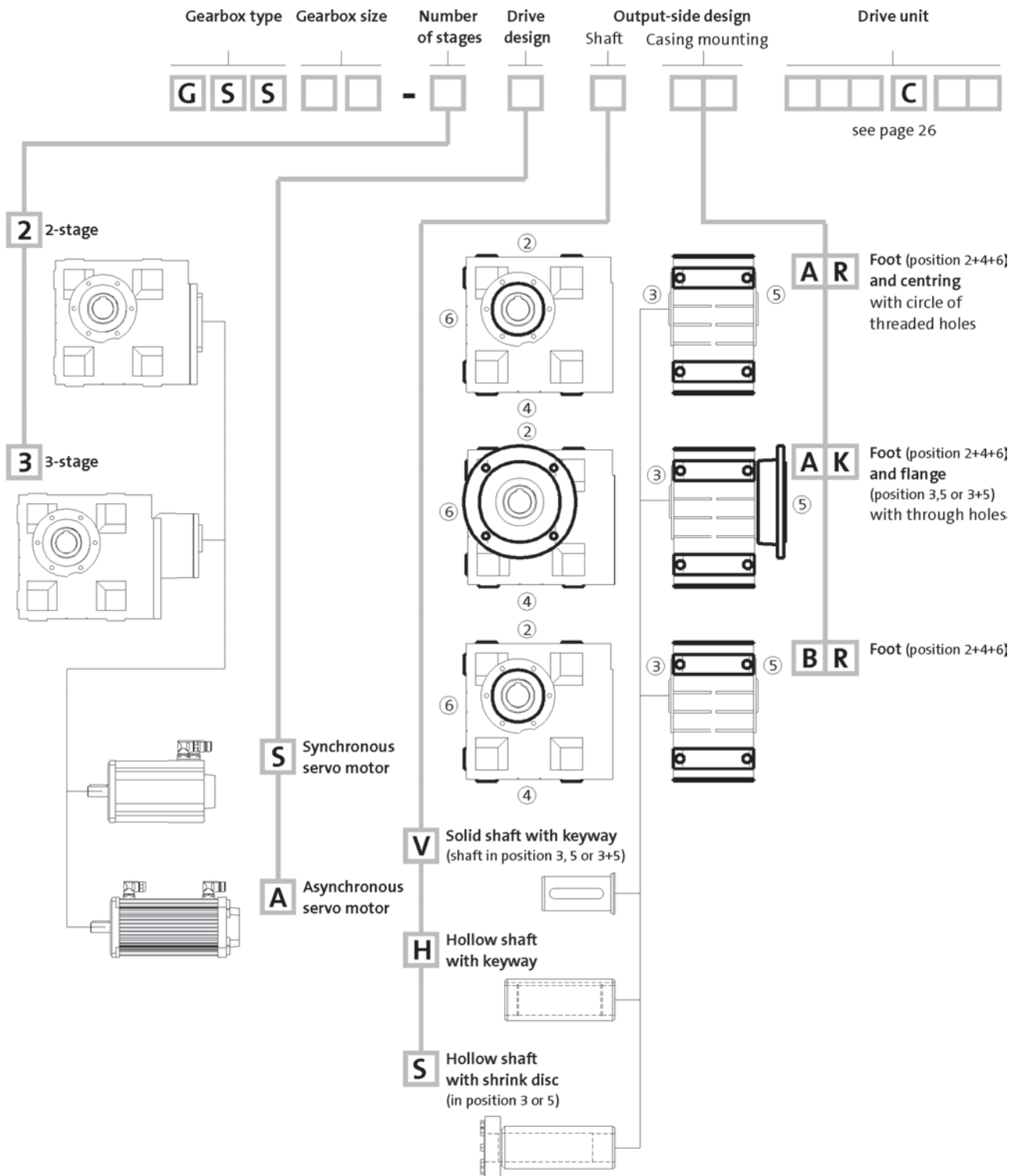
Basic versions	
Colour	Grey primer RAL 9005 (jet black matt) paint
Lubricant	Synthetic CLP HC 320
Ventilation	Oil control plugs for GKS05 - 14 Breather elements for GKS06...14
Options	
Colour	Special paint in accordance with RAL
Lubricant	CLP HC 220 USDA H1
Ventilation	Breather elements for GKS05 Compensation reservoir for GKS09...14 in mounting position C
Shaft sealing rings	Driven shaft: Viton
Accessories	Threaded hole circle torque plate Casing foot torque plate 2nd output shaft end Cover shrink disc Hoseproof hollow shaft cover Hollow shaft circlip assembly kit

Ordering details checklist	
Product key	GKS...
Ratio	$i = \dots$
Shaft diameter	$d = \dots$ [mm]
Flange diameter	$a_2 = \dots$ [mm]
Mounting position	A, B, C, D, E, F
Position of system blocks	Shaft: 3, 5, 8 Flange: 0, 3, 5, 8 Connector/terminal box: 2, 3, 4, 5
Colour	
Options	



General information

Helical-worm gearbox product key

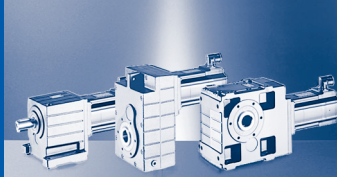


	Output-side design			
	V	H	S	K
	d x l [mm]	d [mm]	d [mm]	Øa2 [mm]
GSS04-2	25x50	25/30	25/30	160
GSS05-2/3	30x60	30/35	35	200
GSS06-2/3	40x80	40/45	40	200 ₁ /250
GSS07-2/3	50x100	50/55	50	250/300

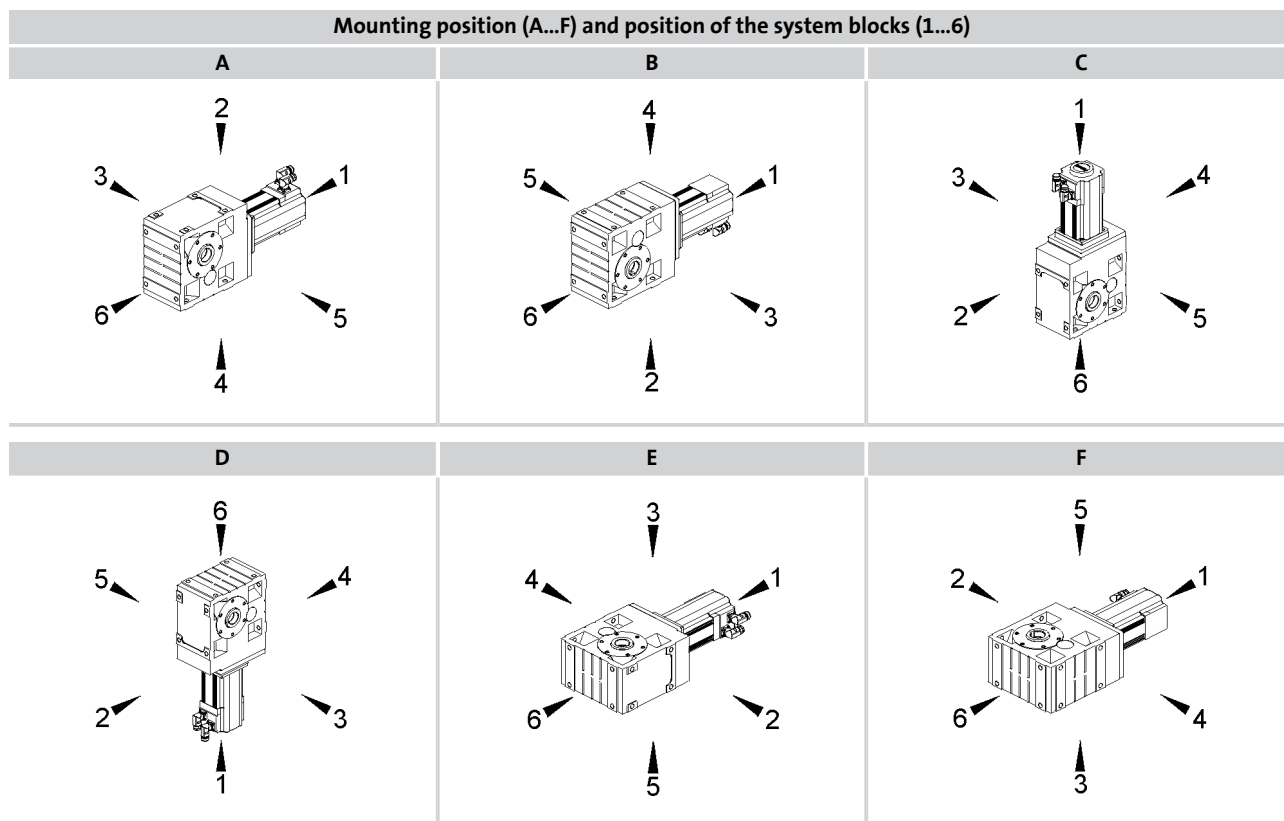
1) Only with output-side design H and S

General information

Helical-worm gearbox product key



Mounting position (A...F) and position of the system blocks (1...6)

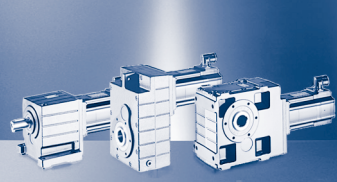


Solid shaft: 3, 5, 8 (3+5)
 Hollow shaft: 0
 Hollow shaft with shrink disc: 3, 5

Without flange: 0
 Flange: 3, 5, 8 (3+5)
 Connector/terminal box: 2, 3, 4, 5

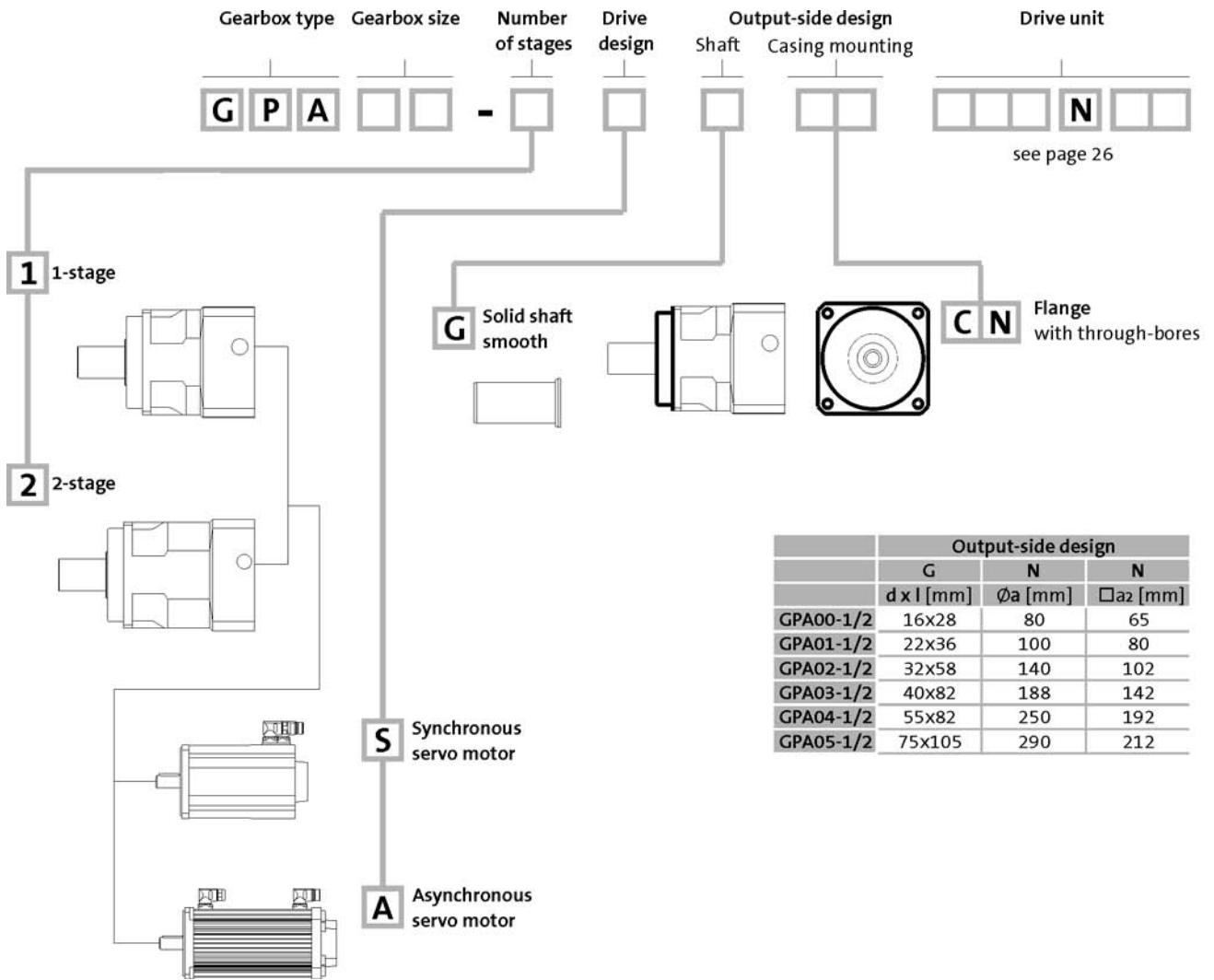
Basic versions	
Colour	Grey primer RAL 9005 (jet black matt) paint
Lubricant	Synthetic CLP PG 460
Ventilation	Breather elements for GSS05...07 Oil control plugs for GSS05 - 07
Options	
Colour	Special paint in accordance with RAL
Lubricant	CLP HC 220 USDA H1
Shaft sealing rings	Driven shaft: Viton
Accessories	Threaded hole circle torque plate Casing foot torque plate 2nd output shaft end Cover shrink disc Hoseproof hollow shaft cover Hollow shaft circlip assembly kit

Ordering details checklist	
Product key	GSS...
Ratio	$i = \dots$
Shaft diameter	$d = \dots$ [mm]
Flange diameter	$a_2 = \dots$ [mm]
Mounting position	A, B, C, D, E, F
Position of system blocks	Shaft: 3, 5, 8 Flange: 0, 3, 5, 8 Connector/terminal box: 2, 3, 4, 5
Colour	
Options	



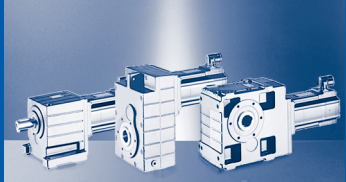
General information

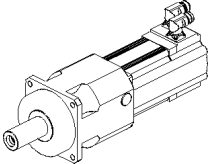
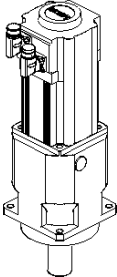
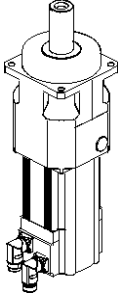
Planetary gearbox product key



General information

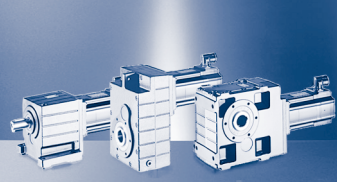
Planetary gearbox product key



Mounting position (A...D)		
A	C	D
		

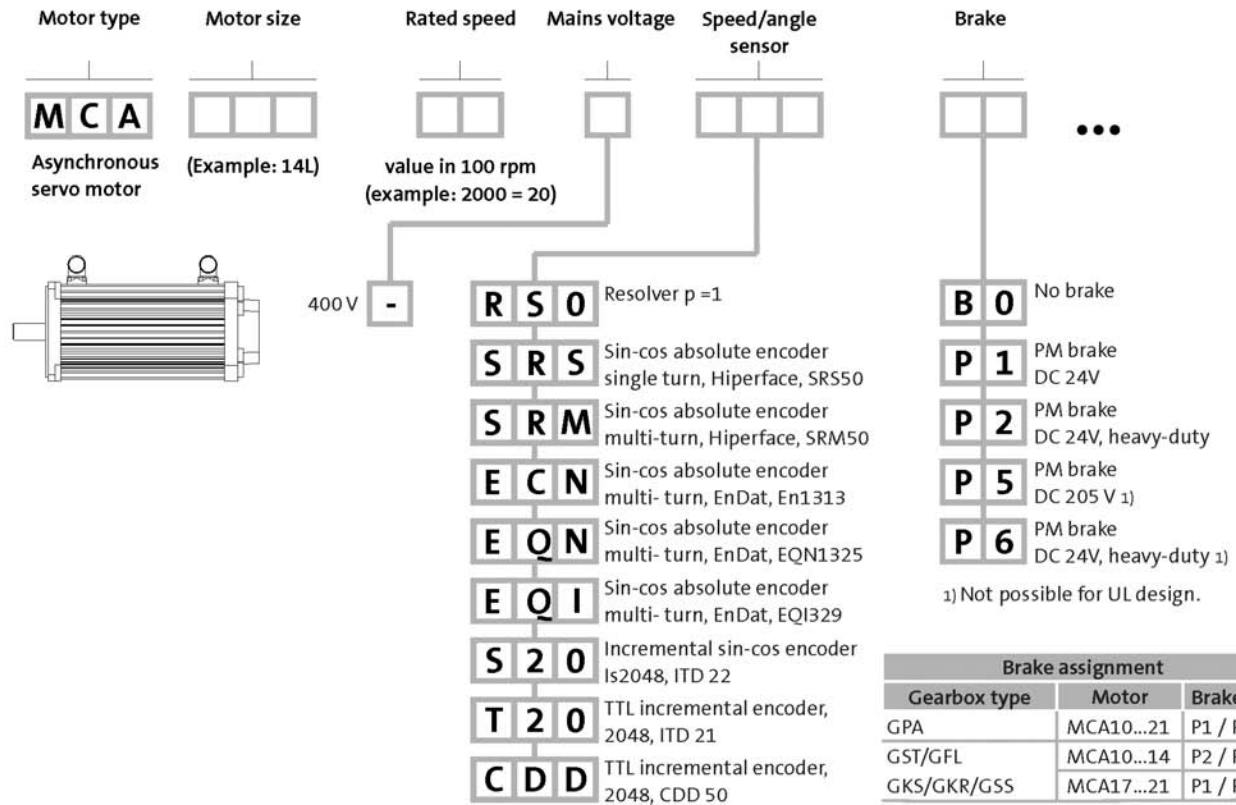
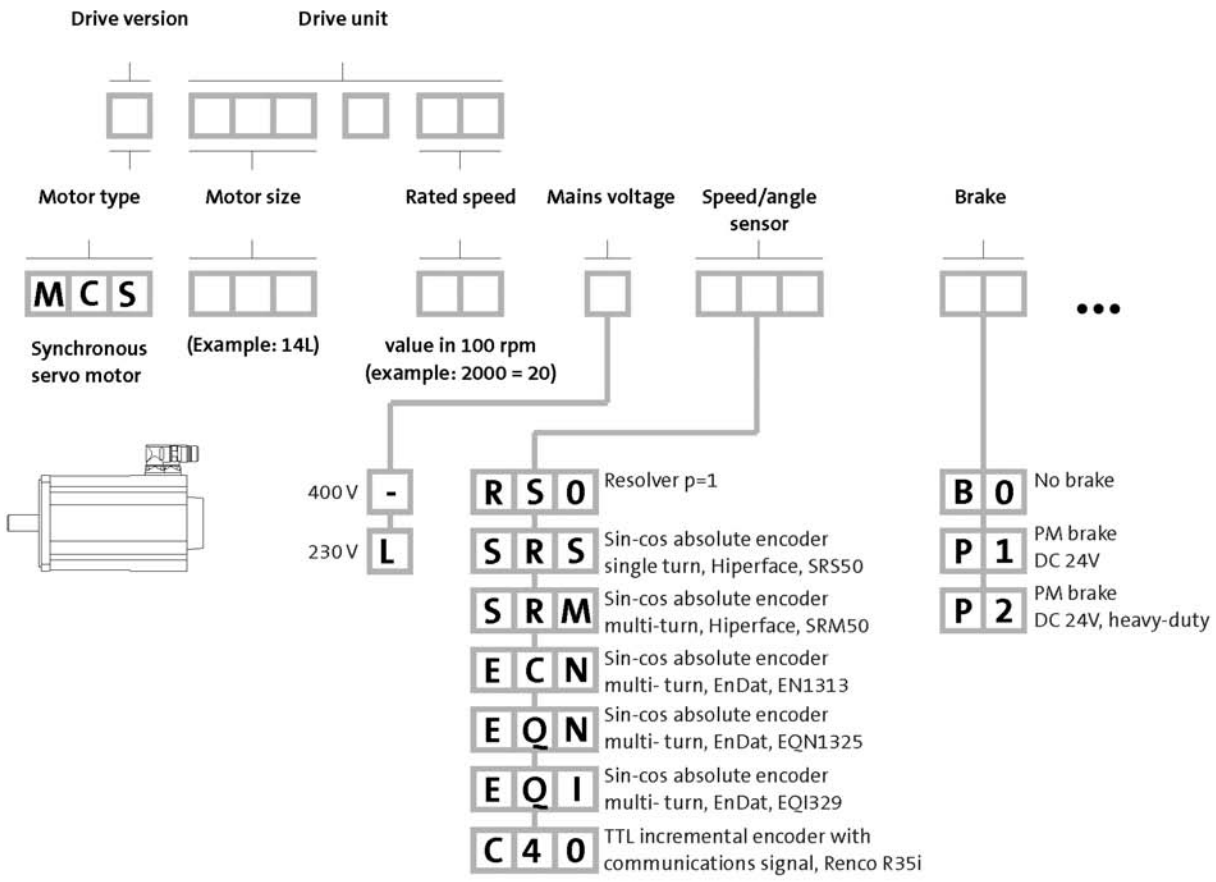
Basic versions	
Colour	RAL 9005 (jet black matt) paint
Lubricant	Synthetic CLP PAO 150

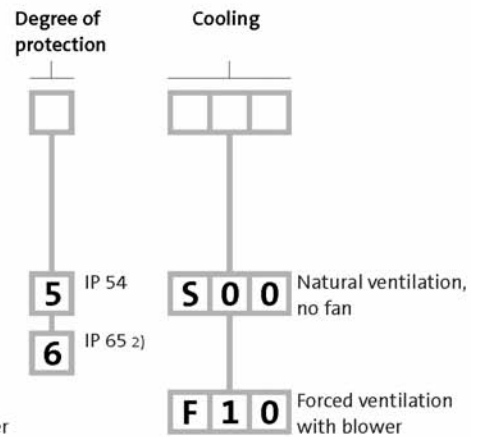
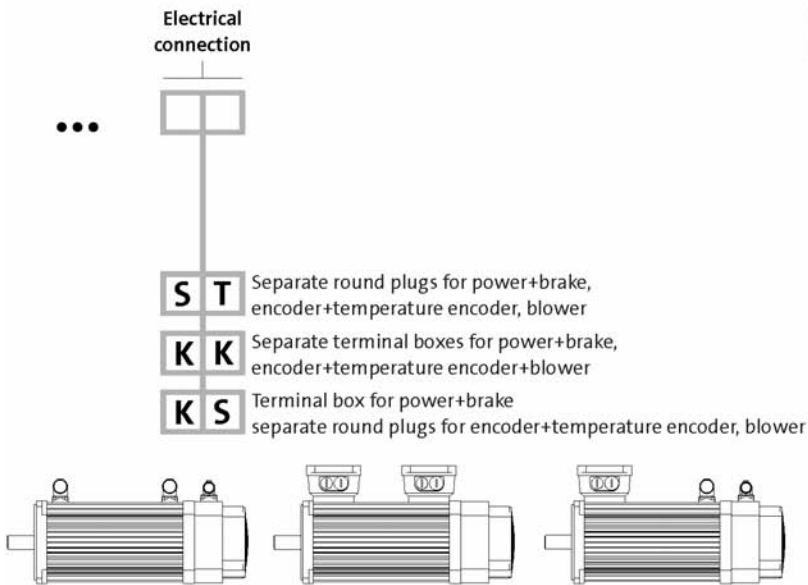
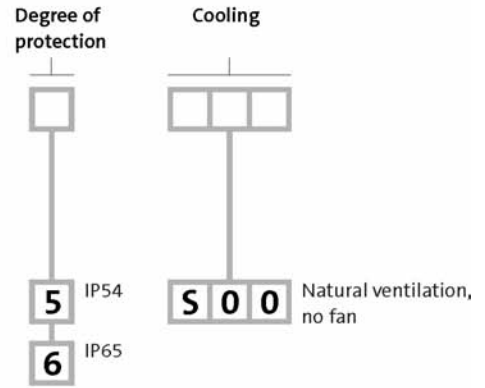
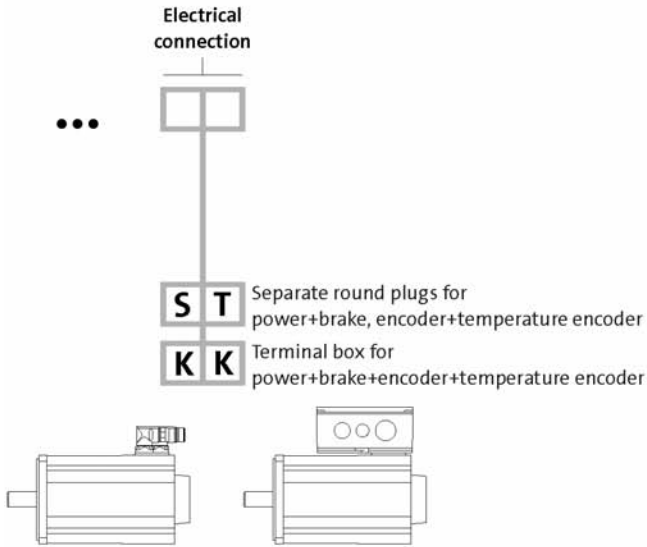
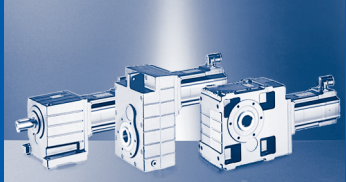
Ordering details checklist	
Product key	GPA...
Mounting position	A, C, D



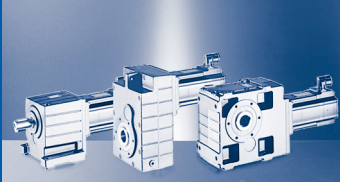
General information

Servo motor product key





2) Not possible with blower.



General information

Product information

Innovative geared motors combined with powerful drive electronics to meet the highest standards in terms of dynamics, positioning accuracy and robustness: the G-motion servo.

Featuring a wide variety of geared motors in the following variants:

- ▶ Helical gearboxes
- ▶ Shaft-mounted helical gearboxes
- ▶ Bevel gearboxes
- ▶ Helical-bevel gearboxes
- ▶ Helical-worm gearboxes
- ▶ Servo-planetary gearboxes

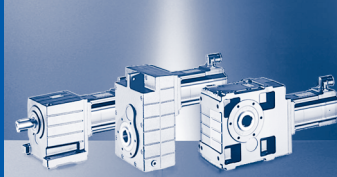
Lenze offers high levels of functionality while complying with many industrial standards. Closely stepped output speeds allow you to make the perfect choice for your drive task.

Lenze geared servo motors are available in a power range from 0.25...20.3 kW.

Together with the Lenze servo controllers, these geared motors offer a perfect drive combination with high dynamic performance.

- ▶ Power range of the synchronous servo motors: 0.25...10 kW
- ▶ Power range of the asynchronous servo motors: 0.8...20.3 kW

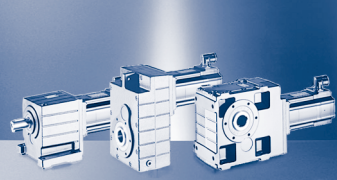




Designations used in the catalogue:

□	Wildcard
α	Angle of action of radial force
φ	Ratio step
η [%]	Mechanical efficiency
η_A [%]	Mechanical start-up efficiency of gearbox
$\eta_{c=1}$ [%]	Mechanical efficiency of gearbox with gearbox loading $c = 1$
η_G [%]	Mechanical efficiency of gearbox
ϑ [°C]	Temperature
AC	Alternating current/voltage
BD [h]	Operating time
c	Load capacity of geared motors
DC	Direct current/voltage
ED	Duty time
f_α	Effective direction factor at output shaft
f_N [Hz]	Rated frequency
f_w	Additional load factor at output shaft
f_z	Additional radial force factor of transmission element
F_a [N]	Applied axial force
F_{aTab} [N]	Table value of axial force
F_{aZul} [N]	Permissible axial force
F_r [N]	Applied radial force
F_{rTab} [N]	Table value of radial force
F_{rZul} [N]	Permissible radial force
H [m]	Site altitude above mean sea level
i	Ratio
i_g	Precise ratio
I_B [A]	Rated brake current
I_{max} [A]	Maximum current
I_M [A]	Rated motor current
I_0 [A]	Continuous standstill current
J_B [kgcm ²]	Moment of inertia of the brake
J_G [kgcm ²]	Moment of inertia of the gearbox reduced to the motor shaft
J_L [kgcm ²]	Moment of inertia of load at output shaft
J_M [kgcm ²]	Moment of inertia of the motor
k	Application factor (following DIN 3990)
k_i	Intensity of gearbox load capacity
k_j	Load-matching factor
k_L	Overload factor

k_{n1}	Speed correction factor for ambient temperature
k_{n2}	Speed correction factor for mounting position
k_{n3}	Speed correction factor for duty time/average speed
k_m	Speed correction factor for average speed
KE_{LL} [V / 1000 r/min]	Voltage constant (phase-to-phase)
Kt_0 [Nm/A]	Torque constant at standstill
$L_{1\sigma}$ [mH]	Stator leakage inductance
$L_{2\sigma'}$ [mH]	Rotor leakage inductance (referred to stator)
L_h [mH]	Mutual inductance
L_{St} [mH]	Winding inductance per phase
m [kg]	Mass
M_B [Nm]	Brake holding torque
M_{eff} [Nm]	Effective torque
M_L [Nm]	Load torque
$M_{L,max}$ [Nm]	Maximum load torque
$M_{L,z}$ [Nm]	Stationary load torque per time segment
M_{max} [Nm]	Maximum torque
M_N [Nm]	Rated torque
$M_{S,z}$ [Nm]	Acceleration torque
$M_{S,eff}$ [Nm]	Effective torque at the motor
M_z [Nm]	Output torque per time segment
$M_{p,max}$ [Nm]	Maximum torque of profile
M_0 [Nm]	Continuous standstill torque
M_1 [Nm]	Input torque
M_2 [Nm]	Output torque
$M_{2,max}$ [Nm]	Maximum output torque
$M_{2,GN}$ [Nm]	Rated gearbox torque at the output at $c=1$ and $n_1 = 1400$ r/min
N	Start-ups
$n_{L,z}$ [r/min]	Load speed per time segment
$\Delta n_{L,z}$ [r/min]	Load speed difference per time segment
n_{max} [r/min]	Maximum speed
n_N [r/min]	Rated speed
n_m [r/min]	Mean speed
n_1 [r/min]	Input speed
$n_{1,max}$ [r/min]	Maximum input speed
n_2 [r/min]	Output speed
$n_{2,Eck}$ [r/min]	Output speed at rated motor speed



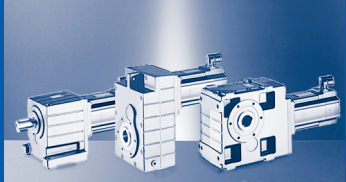
General information

List of abbreviations

Designations used in the catalogue:

$n_{2,th}$ [r/min]	Thermal limit speed at output
P_N [kW]	Rated power
R_1 [Ω]	Winding resistance per phase
R_2 [Ω]	Rotor resistance (referred to stator)
R_{UV} [Ω]	Winding resistance between 2 terminals
T [s]	Load cycle duration
t_L [%]	Runtime at maximum torque
T_U [$^{\circ}\text{C}$]	Ambient operating temperature
Δt_z [s]	Individual time segments
U_B [V]	Rated brake voltage
U_N [V]	Rated voltage
z_g	Multiplied numbers of teeth (driven gears)
z_t	Multiplied numbers of teeth (driving gears)

IM	International Mounting Code
IP	International Protection Code
CE	Communauté Européenne
CSA	Canadian Standards Association
DIN	Deutsches Institut für Normung
EMV	Electromagnetic compatibility
EN	European standard
IEC	International Electrotechnical Commission
NEMA	National Electrical Manufacturers Association
UL	Underwriters Laboratory
UR	Underwriters Laboratory recognized component
VDE	Verband deutscher Elektrotechniker



General information about the data provided in this catalogue

Power ratings, torques and speeds

The power ratings, torques and speeds specified in the catalogue are rounded values and apply for

- ▶ Daily running time of 8h, 240 days a year
- ▶ Ambient temperature up to 30°C
- ▶ Operating time 5.5 hrs a day
- ▶ Average speed utilisation in relation to the load speed of the geared motor: 80%
- ▶ Site altitude up to 1000 m above mean sea level.
- ▶ Mounting positions and designs listed in the catalogue (selection table relates to mounting position A).
- ▶ Standard lubricant.

Under different operating conditions, the values obtained may vary from those listed here.

In the case of extreme operating conditions, please contact your Lenze sales office.

Load capacity c of the gearboxes

Characteristic value for the load capacity of Lenze geared motors.

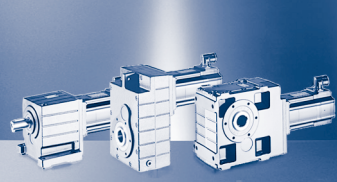
- ▶ c is the ratio of the permissible rated torque of the gearbox to the rated torque supplied by the drive component (e.g. the internal Lenze motor).
- ▶ c must always be greater than the application factor k determined for the application.

Application factor k (in accordance with DIN 3990)

Takes into account the influence of temporally variable loads which are actually present during the anticipated runtime of geared motors.

k depends on

- ▶ The type of load
- ▶ The intensity of the load
- ▶ Temporary factors



General information

Notes on ordering

We aim to process your order quickly and accurately. Therefore, please ensure that your order details are complete.

In order to receive the correct products in good time, please provide the following information:

- ▶ Your address and order data
- ▶ Our product keys for the individual products in this catalogue
- ▶ Your delivery details, such as delivery date and delivery address

Ordering procedure

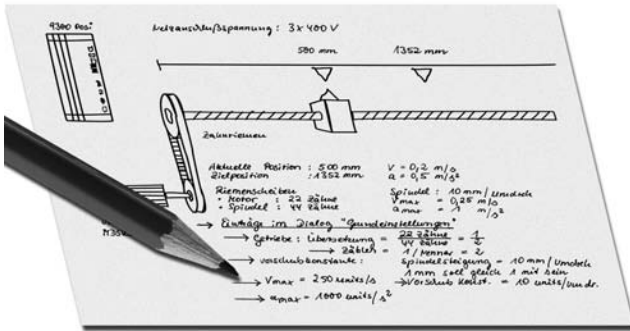
Use the ordering details checklist to ensure that you provide all the necessary information for each product.

You can find the ordering details checklist, product key, basic designs, options, mounting position and system block positions in the chapter General information - Product key.

A list of Lenze sales offices can be found at the end of this catalogue.



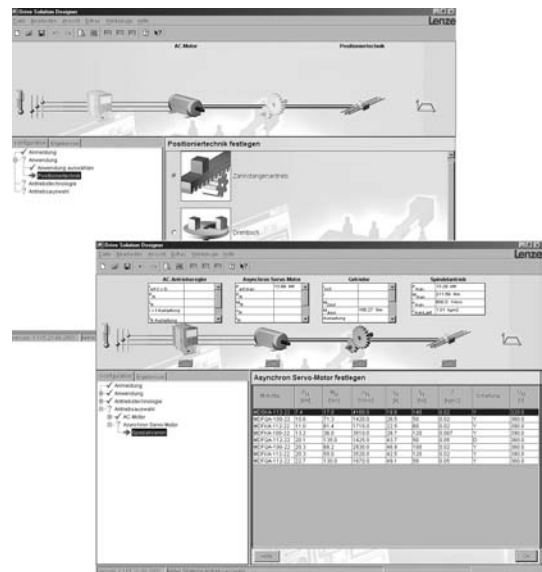
Lenze wants to assist you in optimising your project planning processes. Drive selection and dimensioning is the foundation of all plant planning. This project planning manual for Lenze geared servo motors will guide you from the initial torque and speed input variables right through to a functional and efficient drive train. Your local Lenze sales office will assist you in drive dimensioning. Please consult us.



From the rough outline to the finished drive solution

After gathering information about the mechanical parameters and the motion profile, sales staff use the "Drive Solution Designer" to complete drive dimensioning and optimisation in next to no time.

The original application data and the results from the Drive Solution Designer are summarised in a document in a structured manner. The graphical analysis provides clear, comprehensive information about the drive load and configuration. The hardware required by the solution is documented; this simplifies the ordering process and means that the complete solution can be supplied quickly.





Drive dimensioning

Aim of dimensioning

This section describes the dimensioning of drives with geared servo motors.

The aim of dimensioning

is to select the right geared servo motor for a given application, ensuring that the requirements for the specific application are reliably met. The operating conditions concerned are taken into consideration in this process:

- ▶ Ambient temperature
- ▶ Mounting position
- ▶ Load cycle

For the sake of simplicity, the dimensioning given is for standard operating modes and for general load cycles:

- ▶ Constant load, operating mode **S1** *
- ▶ Short-time operation **S2**
- ▶ Intermittent operation **S3**
- ▶ Continuous operation **S6** *
- ▶ Load profiles for an **application-specific load cycle**

* For maximum life expectancy, Lenze recommends the use of motors with a low rated speed for operating modes S1 and S6.

Dimensioning involves 3 elements:

- ▶ **Satisfying the drive function** - Can the required speeds, torques, accelerations be achieved with the chosen drive?
- ▶ **Mechanical strength** - Can the drive transmit the torques and forces that occur?
- ▶ **Thermal dimensioning** - Does the operating temperature remain within the permissible limits, preventing premature ageing?

Drive function

The process values required are used to select a drive for which all working points lie within the speed/torque characteristic curves. This results in the selection of a gearbox of the correct ratio with a motor of the correct speed and an inverter with the correct maximum current. Other limits (maximum speed, site altitude) are shown in tables.

Mechanical strength

The forces and torques arising together with the application factor and the gearbox torque are used to select a drive with adequate mechanical strength (endurance strength of the gearing for periodically occurring torques and endurance limit for sporadically occurring torques).



Thermal dimensioning

For the **inverter**, thermal dimensioning uses the continuous inverter current or the continuous torque achievable by the motor-inverter combination.

For the **motor**, thermal dimensioning uses the average speed and the effective torque.

For the **gearbox**, thermal dimensioning uses the average speed and the continuous torque of the motor-gearbox combination. The thermal limit speed specified is intended as a recommendation. The average speed of the drive should not exceed the specified values.

Dimensioning in three steps

The dimensioning of geared servo motors can be divided into three steps, which are listed separately for each of the operating modes referred to above (S1, S2, S3, S6, profile):

Determination of input variables, including:

- ▶ Load torque, load speed, acceleration (for speed profiles, several working points with times)
- ▶ Maximum torque
- ▶ Mounting position
- ▶ Power loading
- ▶ Method of torque transmission

Calculation of values required for the process, including:

- ▶ Overall torques from load torque and acceleration
- ▶ Maximum load torque
- ▶ Effective torque
- ▶ Average speed
- ▶ Maximum speed

Selection of the geared servo motor and checking the selection for fulfilment of required values, including:

- ▶ Calculation of overall torque on the motor end (effective torque, maximum torque)
- ▶ Thermal checking of the motor by reference to effective torque and average speed
- ▶ Thermal checking of the gearbox by reference to average speed and effective torque
- ▶ Checking of maximum gearbox torque by reference to periodically occurring torques and sporadically occurring maximum torques
- ▶ Checking of the motor-inverter combination by reference to maximum torques
- ▶ Checking of load adjustment
- ▶ Checking of axial and radial force on the gearbox

To obtain a **reliable drive**, **particular attention** must be given to selecting and checking it. The various elements involved in dimensioning and checking are described in more detail below. Special emphasis is placed on **compliance with the limits of the geared servo motor drive** (functional limits, thermal limits, mechanical limits).



Drive dimensioning Scope

Dimensioning of geared servo motors for kinematic profiles, operating modes S1, S2, S3, S6 and speed profiles

Suitable for simple linear speed profiles, not for S-curves or similar. For complex or full-load dimensioning, please contact your local Lenze subsidiary.

Standard operating conditions:

- ▶ Single shift operation, 8 hours a day, 240 days a year
- ▶ Ambient temperature up to 30 °C
- ▶ Operating time 5.5 hours a day
- ▶ Average speed utilisation in relation to the load speed of the geared motor 80%
- ▶ Mounting position A
- ▶ Site altitude up to 1000 m amsl

Included

- ▶ Rated mains voltage AC 400 V, 3-phase
- ▶ Ambient temperature
- ▶ Site altitude
- ▶ Dimensioning with 9400, 9300 and ECS speed-torque characteristic curves for mains voltages of 400 V, 3-phase
- ▶ Process requirement
- ▶ Preselection of motor
- ▶ Load capacity of gearbox
- ▶ Intended transmission ratio
- ▶ Maximum permissible gearbox input speed
- ▶ Axial and radial load on gearbox output shaft
- ▶ Overall reduced moment of inertia
- ▶ Load adjustment to moments of inertia

Not included

- ▶ Correct consideration of efficiency in motor mode/generator mode
- ▶ Accessories such as brake choppers, brake resistors, feedback systems, mains filters
- ▶ Current derating on 9300 servo at low speeds
- ▶ Special ambient conditions such as special power system characteristics, high temperatures/site altitudes, contamination, outdoor use, explosion protection
- ▶ Maximum standstill current
- ▶ Setting the controller inhibit to reduce the heat load on the drive



The operating mode is important when selecting a motor. For example, the temperature rise on a motor subject to short-term load will be lower than that on a motor subject to long-term load. EN 60034 defines operating modes S1 to S8.

Continuous operation S1

The operating time at rated power is long enough for the machine to reach steady-state temperature. The motor operates continuously at rated power.

Short-time operation S2

In comparison with the subsequent pause, the operating time is too short for the machine to reach steady-state temperature. During the subsequent lengthy pause, the motor cools down to the initial temperature.

Intermittent operation S3, S4, S5

Cycles of the same type combine to form a sequence. The cycle time is usually 10 minutes.

- ▶ S3: The starting current is not significant for the temperature rise in the motor
- ▶ S4: The starting current contributes to the temperature rise in the motor
- ▶ S5: Starting current and braking current contribute to the temperature rise in the motor

Continuous operation with intermittent loading S6

The motor continues to be ventilated during the no-load phases, enabling it to cool down.

Uninterrupted operation with acceleration and braking S7

The motor runs almost without break.

Uninterrupted operation S8 with pole changing

The machine runs constantly under load but with frequent speed variation.

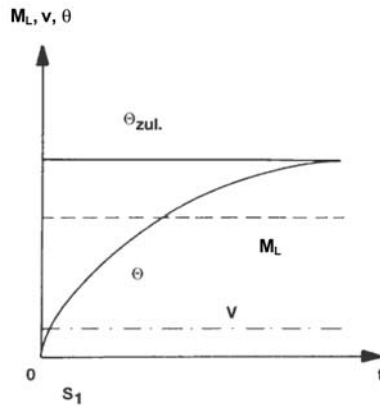


Drive dimensioning


Operating mode S1

Dimensioning of geared servo motors for operating mode S1 (EN 60034)

The drive is constantly loaded in operating mode S1, there may be a change of direction of rotation or an alternating load.
 Precondition: constant power loss, neglect of start-up process (constant temperature rise)



Required input variables			
Operating time/day	BD =		[h]
Average speed utilisation of the geared motor related to the speed under load n_L			[%]
Ambient temperature	$T_u =$		[°C]
Site altitude above mean sea level	H =		[m]
Radial force	$F_r =$		[N]
Axial force	$F_a =$		[N]
Transmission element at gearbox (gear wheels, sprockets...)			
Pitch circle diameter of the transmission element	$d_w =$		[mm]
Load torque	$M_L =$		[Nm]
Load speed	$n_L =$		[r/min]
Momentary maximum torque (emergency off, quick stop, occasional high starting duty)	$M_{L,max} =$		[Nm]
Runtime at maximum torque	$t_L =$		[%]
Determine gearbox design and servo motor design			
Gearbox type (GST, GFL, GKR, GKS, GSS, GPA)			
Mounting position (A, B, C, D, E, F)			
Output designs (shaft design: hollow shaft, solid shaft...)			
Input design (A asynchronous/S synchronous)			
Cooling type (S00 without fan/F10 with blower)			

→  14 - General information - Product key



Determine gearbox size from the forces		
Determination of the axial and radial forces acting on the gearbox shaft		
	Calculation	Check
Additional radial force factor of transmission element	$f_z =$	
Radial force	$Fr = 2000 \cdot \frac{M_{L,max} \cdot f_z}{d_w}$	$Fr \leq Fr_{zul} = \min(f_w \cdot f_\alpha \cdot Fr_{Tab}; f_w \cdot Fr_{max})$
Axial force		$Fa \leq Fa_{zul} = Fa_{Tab} \quad , \quad Fr = 0$

→ 52 - f_z

→ Permissible radial and axial forces $G \square \square$ [N]
 $Fr_{Tab}, Fa_{Tab}, f_w, f_\alpha$

Determine speed correction factors	
Ambient temperature, site altitude	$k_{n1} =$
Mounting position	$k_{n2} =$
Average speed utilisation of the geared motor (in % of n_L) and daily operating time	$k_{n3} =$
	$k_n = k_{n1} \cdot k_{n2} \cdot k_{n3}$

→ 51 - k_{n1}, k_{n2}, k_{n3}

Select and check the geared servo motor-inverter combination			
For maximum life expectancy, Lenze recommends the use of motors with a low rated speed for operating modes S1 and S6.			
	Check	Selection	
Output torque	$M_2 \geq M_L$	$M_2 =$	[Nm]
Output speed (recommendation)	$n_{2,th} \geq \frac{n_L}{k_n}$	$n_{2,th} =$	[r/min]
Output speed	$n_{2,Eck} \geq n_L$	$n_{2,Eck} =$	
Alternating load influence: without alternating load	$M_{2,GN} \geq M_L$	$M_{2,GN} =$	[Nm]
Alternating load influence: with alternating load	$M_{2,GN} \geq M_L \cdot 1.4$		
Ratio		$i =$	
Load capacity of the geared motor		$c =$	
Momentary maximum torque	$M_{2,max} = M_{2,GN} \cdot 1.5 \geq M_{L,max}$	$M_{2,max} =$	[Nm]

→ Selection tables $G \square \square$ [Nm]
 $M_2, M_{2,GN}, n_{2,th}, n_{2,Eck}, i, c$

→ 50 - Motors for operating modes S1 and S6



Drive dimensioning

Operating mode S1

Determine the required gearbox load capacity		
Calculate intensity	Without alternating load	k ₁ =
	$k_1 = \frac{M_{L,max}}{M_2}$	
	With alternating load	k ₁ =
	$k_1 = \frac{M_{L,max}}{M_2} \cdot 1.4$	
At runtime t _L > 10%: take intensity k ₁ from the calculation into account At runtime t _L ≤ 10%: take load factor k from the diagram into account		k =
Required load capacity	t _L > 10% → c ≥ k ₁ t _L ≤ 10% → c ≥ k	c =

→  52 - k



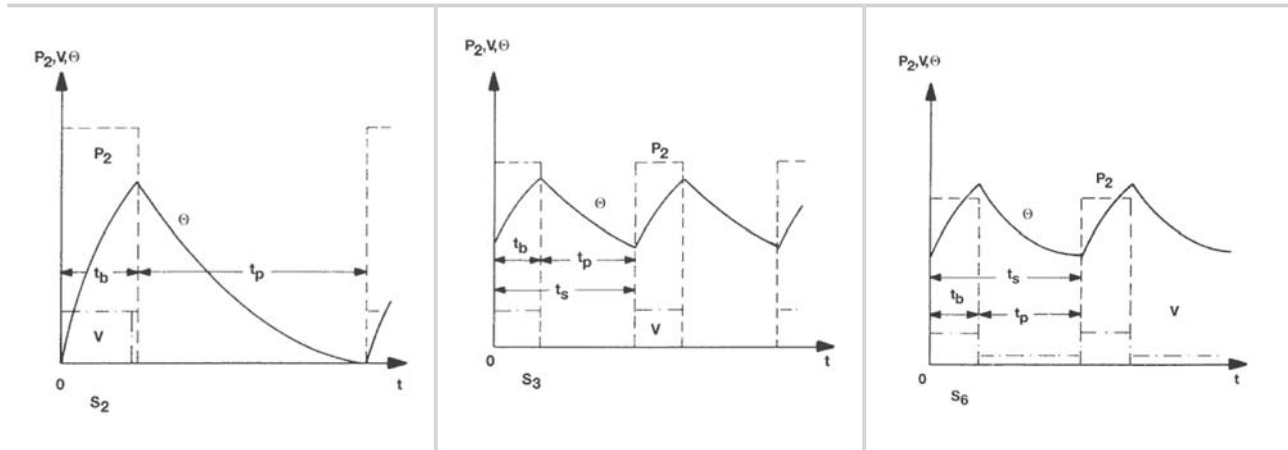
Dimensioning of geared servo motors for operating modes S2, S3 and S6 (EN 60034)

Short-time operation S2: Short-time running of the drive followed by a “long” pause

Periodic intermittent operation S3: Periodic alternation of the drive between on and off (maximum cycle time 10 minutes)

Periodic intermittent loading S6: The load alternates between on and off with the motor running constantly (maximum cycle time 10 minutes).

The acceleration process is ignored. Dimensioning for profile is required for dynamic applications.




Required input variables			
Operating time/day	BD =		[h]
Average speed utilisation of the geared motor related to the speed under load n_L			[%]
Operating mode	S2 - ED = S3, S6 - ED =		[min] [%]
Ambient temperature	$T_u =$		[°C]
Site altitude above mean sea level	H =		[m]
Radial force	$F_r =$		[N]
Axial force	$F_a =$		[N]
Transmission element at gearbox (gear wheels, sprockets...)			
Pitch circle diameter of the transmission element	$d_w =$		[mm]
Load torque	$M_L =$		[Nm]
Load speed	$n_L =$		[r/min]
Momentary maximum torque (emergency off, quick stop, occasional high starting duty)	$M_{L,max} =$		[Nm]
Runtime at maximum torque	$t_L =$		[%]



Drive dimensioning

Operating modes S2, S3 and S6

Determine gearbox design and servo motor design	
Gearbox type (GST, GFL, GKR, GKS, GSS, GPA)	
Mounting position (A, B, C, D, E, F)	
Output designs (shaft design: hollow shaft, solid shaft...)	
Input design (A asynchronous/S synchronous)	
Cooling type (S00 without fan/F10 with blower)	


→  14 - General information - Product key

Determine gearbox size from the forces		
Determination of the axial and radial forces acting on the gearbox shaft		
	Calculation	Check
Additional radial force factor of transmission element	$f_z =$	
Radial force	$Fr = 2000 \cdot \frac{M_{L,max} \cdot f_z}{d_w}$	$Fr \leq Fr_{zul} = \min(f_w \cdot f_\alpha \cdot Fr_{Tab}; f_w \cdot Fr_{max})$
Axial force		$Fa \leq Fa_{zul} = Fa_{Tab} \quad , \quad Fr = 0$

→  52 - f_z

→ Permissible radial and axial forces $G \square \square$ [N]
 $Fr_{Tab}, Fa_{Tab}, f_w, f_\alpha$

Determine speed correction factors	
Ambient temperature, site altitude	$k_{n1} =$
Mounting position	$k_{n2} =$
Average speed utilisation of the geared motor (in % of n_l) and daily operating time	$k_{n3} =$

→  51 - k_{n1}, k_{n2}, k_{n3}

Speed correction factors for average speed k_m					
Op. mode S2		Op. mode S3		Op. mode S6	
ED [min]	k_m	ED [%]	k_m	ED [%]	k_m
10	0.16	15	0.15	15	1.00
30	0.50	25	0.25	25	
60	1.00	40	0.40	40	
90		60	0.60	60	

$$k_m =$$

$$k_n = \frac{k_{n1} \cdot k_{n2} \cdot k_{n3}}{k_m}$$



Specify the overload factor k_L (guide values) as a function of the application/kinematics					
Op. mode S2		Op. mode S3		Op. mode S6	
ED [min]	k_L	ED [%]	k_L	ED [%]	k_L
10	1.4-1.5	15	1.4-1.5	15	1.5-1.6
30	1.15-1.2	25	1.3-1.4	25	1.4-1.5
60	1.07-1.1	40	1.15-1.2	40	1.3-1.4
90	1.0-1.05	60	1.05-1.1	60	1.15-1.2

$k_L =$

Select and check the geared servo motor-inverter combination			
For maximum life expectancy, Lenze recommends the use of motors with a low rated speed for operating modes S1 and S6.			
	Check	Selection	
Output torque	$M_2 \geq \frac{M_L}{k_L}$	$M_2 =$	[Nm]
Output speed (recommendation)	$n_{2,th} \geq \frac{n_L}{k_n}$	$n_{2,th} =$	[r/min]
Output speed	$n_{2,Eck} \geq n_L$	$n_{2,Eck} =$	
Alternating load influence: without alternating load	$M_{2,GN} \geq M_L$	$M_{2,GN} =$	[Nm]
Alternating load influence: with alternating load	$M_{2,GN} \geq M_L \cdot 1.4$		
Ratio		$i =$	
Load capacity of the geared motor		$c =$	
Efficiency of gearbox	$\eta_G = \eta_{c=1} - (c-1) \cdot 0.01$	$\eta_G =$	
Momentary maximum torque	$M_{2,max} = M_{2,GN} \cdot 1.5 \geq M_{L,max}$	$M_{2,max} =$	[Nm]
Thermally effective working point (○) below S1 torque characteristic of the servo motor		$\left(\frac{i \cdot k_m \cdot n_L}{k_{n3}}, \frac{M_L}{k_L \cdot i \cdot \eta_G} \right)$	
All working points (●) below the maximum torque characteristic curve of the servo motor-inverter combination, taking $M_{L,max}$ into account		$\left(i \cdot n_L, \frac{M_L}{i \cdot \eta_G} \right)$	

- Selection tables G□□ [Nm]
 $M_2, M_{2,GN}, n_{2,th}, n_{2,Eck}, i, c$
- Servo motors catalogue
Torque characteristics

- 50 - Motors for operating modes S1 and S6
- 53 - $\eta_{c=1}$



Drive dimensioning

Operating modes S2, S3 and S6

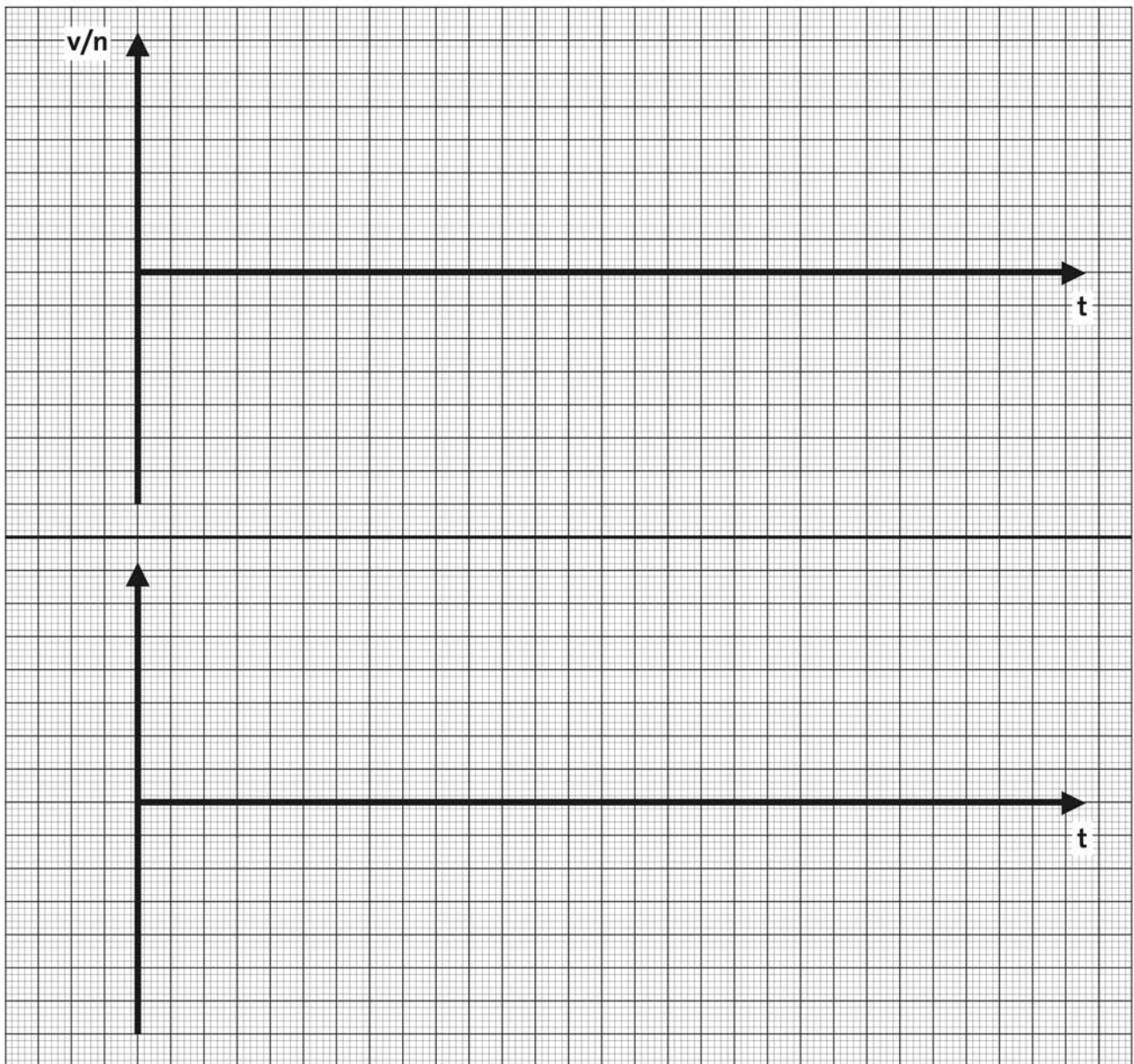
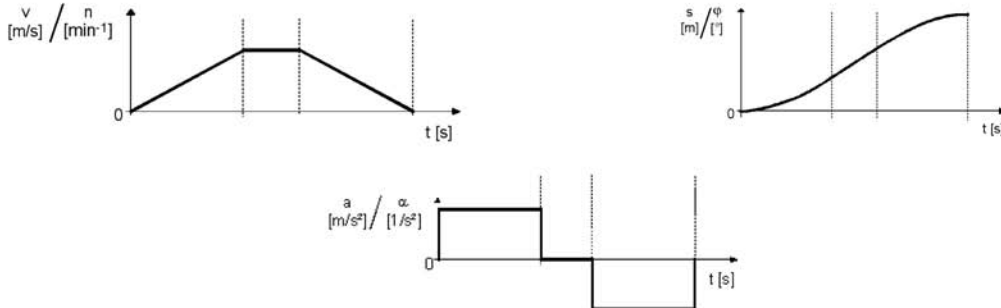
Determine the required gearbox load capacity		
Calculate intensity	Without alternating load	k ₁ =
	$k_1 = \frac{M_{L,max}}{M_2}$	
	With alternating load	k ₁ =
	$k_1 = \frac{M_{L,max}}{M_2} \cdot 1.4$	
At runtime t _L > 10%: take intensity k ₁ from the calculation into account At runtime t _L ≤ 10%: take load factor k from the diagram into account		k =
Required load capacity	t _L > 10% → c ≥ k ₁ t _L ≤ 10% → c ≥ k	c =

→  52 - k



Dimensioning of geared servo motors with speed profiles, cycle time/load cycle duration ≤ 1 min

The profiles, some examples of which are shown below, must be determined.
A small sketch of the movement to be carried out can help with the subsequent calculation.





Drive dimensioning

Speed profiles

Required input variables			
Operating time/day	BD =		[h]
Average speed utilisation of the geared motor related to the speed under load n_L			[%]
Ambient temperature	T_u =		[°C]
Site altitude above mean sea level	H =		[m]
Radial force	F_r =		[N]
Axial force	F_a =		[N]
Transmission element at gearbox (gear wheels, sprockets...)			
Pitch circle diameter of the transmission element	d_w =		[mm]
Momentary maximum torque (emergency off, quick stop, occasional high starting duty)	$M_{L,max}$ =		[Nm]
Runtime at maximum torque	t_L =		[%]

Time characteristic of load for the individual time segments z							
Total time	Individual time segments	Load speed	Load speed variation	Stationary load torque	Torque	Acceleration torque	Moment of inertia
t [s]	Δt_z [s]	$n_{L,z}$ [r/min]	$\Delta n_{L,z}$ [r/min]	$M_{L,z}$ [Nm]	M_z [Nm]	$M_{s,z}$ [Nm]	J_L [kgm ²]

Load cycle duration	$T = \sum \Delta t_z$	T =	[s]
---------------------	-----------------------	-----	-----

Calculation of values required for the process			
Torque per time segment	$M_z = M_{L,z} + J_L \cdot \frac{2\pi \cdot \Delta n_{L,z}}{60 \cdot \Delta t_z} = M_{L,z} + 0.105 \cdot \frac{\Delta n_{L,z}}{\Delta t_z} \cdot J_L$		
Maximum torque of profile	$M_{p,max} = \max(M_z)$	$M_{p,max} =$	[Nm]
Effective torque	$M_{eff} = \sqrt{\frac{1}{T} \sum_z M_z^2 \cdot \Delta t_z}, T \leq 1 \text{ min}$	$M_{eff} =$	[Nm]
Mean speed	$n_m = \overline{ n_{L,z} } = \frac{1}{T} \sum_z n_{L,z} \cdot \Delta t_z$	$n_m =$	[r/min]
Maximum speed	$n_{max} = \max(n_{L,z})$	$n_{max} =$	[r/min]



Determine gearbox design and servo motor design	
Gearbox type (GST, GFL, GKR, GKS, GSS, GPA)	
Mounting position (A, B, C, D, E, F)	
Output designs (shaft design: hollow shaft, solid shaft...)	
Input design (A asynchronous/S synchronous)	
Cooling type (S00 without fan/F10 with blower)	

→ 14 - General information - Product key

Determine gearbox size from the forces		
Determination of the axial and radial forces acting on the gearbox shaft		
	Calculation	Check
Additional radial force factor of transmission element	$f_z =$	
Radial force	$Fr = 2000 \cdot \frac{M_{L,max} \cdot f_z}{d_w}$	$Fr \leq Fr_{zul} = \min(f_w \cdot f_\alpha \cdot Fr_{Tab}; f_w \cdot Fr_{max})$
Axial force		$Fa \leq Fa_{zul} = Fa_{Tab}$, $Fr = 0$

→ 52 - f_z

→ Permissible radial and axial forces $G \square \square$ [N]
 $Fr_{Tab}, Fa_{Tab}, f_w, f_\alpha$

Determine speed correction factors	
Ambient temperature, site altitude	$k_{n1} =$
Mounting position	$k_{n2} =$
Average speed utilisation of the geared motor (in % of n_l) and daily operating time	$k_{n3} =$
	$k_n = k_{n1} \cdot k_{n2} \cdot k_{n3}$

→ 51 - kn_1, kn_2, kn_3




Drive dimensioning


Speed profiles

Select and check the geared servo motor-inverter combination	Check	Preselection	
Output torque	$M_2 > M_{\text{eff}}$	$M_2 =$	[Nm]
Output speed (recommendation)	$n_{2,\text{th}} \geq \frac{n_m}{k_n}$	$n_{2,\text{th}} =$	
Output speed	$n_{2,\text{Eck}} \geq n_L$	$n_{2,\text{Eck}} =$	[r/min]
Maximum speed	$n_{1,\text{max}} \geq n_{\text{max}} \cdot i$	$n_{1,\text{max}} =$	
Alternating load influence: without alternating load	$M_{2,\text{GN}} \geq M_{\text{P,max}}$	$M_{2,\text{GN}} =$	[Nm]
Alternating load influence: with alternating load	$M_{2,\text{GN}} \geq M_{\text{P,max}} \cdot 1,4$		
Load capacity of the geared motor		$c =$	
Efficiency of gearbox	$\eta_G = \eta_{c=1} - (c-1) \cdot 0,01$	$\eta_G =$	
Ratio	$i \approx \sqrt{\frac{J_L}{J_G + J_M + J_B}}$ (Optimum $k_j = 1$)	$i =$	
Load-matching factor (for optimum dynamics/control properties)	Requirement $k_j = 0,5 \dots 10$ Optimum $k_j = 1$	$k_j = \frac{J_L}{i^2 \cdot (J_G + J_M + J_B)}$	

→ Selection tables G□□ [Nm]
 $M_2, M_{2,\text{GN}}, n_{2,\text{th}}, n_{2,\text{Eck}}, i, c, J_G, J_M$

→ Servo motors catalogue
 J_B

→  50 - $n_{1,\text{max}}$

→  53 - $\eta_{c=1}$



Check the motor torques		
Taking into account the mass inertia of gearbox, motor and brake		
Acceleration torque	$M_{S,z} = M_z + (J_{GM} + J_B) \cdot \frac{2 \pi \cdot \Delta n_{L,z}}{60 \cdot \Delta t_z} \cdot i^2$	$M_{S,z} =$
Effective torque	$M_{S,eff} = \sqrt{\frac{1}{T} \sum_z M_{S,z}^2 \cdot \Delta t_z}$	$M_{S,eff} =$
Thermally effective working point (○) below S1 torque characteristic of the servo motor		$\left(\frac{i \cdot n_m}{k_{n3}}, \frac{M_{S,eff}}{i \cdot \eta_G} \right)$
All working points (●) below the maximum torque characteristic curve of the servo motor-inverter combination		$\left(i \cdot n_{L,z}, \frac{M_{S,z}}{i \cdot \eta_G} \right)$

→ Servo motors catalogue
Torque characteristics

Determine the required gearbox load capacity		
Calculate intensity	Without alternating load $k_1 = \frac{M_{L,max}}{M_2}$	$k_1 =$
	With alternating load $k_1 = \frac{M_{L,max}}{M_2} \cdot 1.4$	
At runtime $t_L > 10\%$: take intensity k_1 from the calculation into account At runtime $t_L \leq 10\%$: take load factor k from the diagram into account		$k =$
Required load capacity	$t_L > 10\% \rightarrow c \geq k_1$ $t_L \leq 10\% \rightarrow c \geq k$	$c =$

→ 52 - k



Drive dimensioning

Maximum input speeds/Recommended motors for S1 and S6

Maximum gearbox input speeds

- ▶ These may not be exceeded, even momentarily.

Motor type	Input speeds	Motor type	Input speeds
	$n_{1,max}$ [r/min]		$n_{1,max}$ [r/min]
MCA10...	5000	MCS06...	5000
MCA13...			
MCA14...			
MCA17...			
MCA19...			
MCA21...	4000	MCS19...	4000

Recommended motors for operating modes S1 and S6

- ▶ With operating modes S1 and S6, the motor rotates at a constant, high speed. Motors with low rated speeds are preferable in respect of service life and oil temperature rise.

Motor type	Motor type
MCA10I40	MCS06C41
MCA13I41	MCS06F41
MCA13I34	MCS06I41
MCA14L20	MCS09D41
MCA14L16	MCS09F38
MCA17N23	MCS09H41
MCA17N17	MCS09L41
MCA19S23	MCS12D20
MCA19S17	MCS12H15
MCA21X25	MCS12L20
MCA21X17	MCS14D15
-	MCS14H15
-	MCS14L15
-	MCS14P14
-	MCS19F14
-	MCS19J14
-	MCS19P14



Ambient temperature and site altitude k_{n1}

Ambient temperature	Site altitude H [m] above mean sea level			
	< 1000	< 2000	< 3000	< 4000
T_u [°C]	k_{n1}	k_{n1}	k_{n1}	k_{n1}
≤ 20	1.15	1.04	0.92	0.81
30	1.00	0.90	0.80	0.70
40	0.80	0.72	0.64	0.56
50	0.60	0.54	0.48	0.42
60	0.40	0.36	0.32	0.28

Mounting positions k_{n2}

Gearbox type	Mounting position					
	A	B	E	D	E	F
	k_{n2}	k_{n2}	k_{n2}	k_{n2}	k_{n2}	k_{n2}
GST	1.00	0.80	0.80	0.70 ¹⁾	1.00	1.00
GFL	1.00	0.80	0.85	0.70 ¹⁾	0.90	0.80
GKR	1.00	0.90	0.80	0.80 ¹⁾	0.95	0.95
GKS	1.00	0.80	0.80	0.70 ¹⁾	0.80	0.80
GSS	1.00	0.90	0.80	0.80 ¹⁾	0.95	0.95
GPA	1.00	-	0.80	0.70 ¹⁾	-	-

¹⁾ The average input speed n_1 should not exceed 1500 r/min.

Daily operating time and average speed utilisation of the geared motor k_{n3}

Daily operating time	Average speed utilisation of the geared motor related to the speed under load n_L				
	100%	80%	60%	50%	25%
[h]	k_{n3}	k_{n3}	k_{n3}	k_{n3}	k_{n3}
1.0	1.29	1.33	1.38	1.42	1.55
2.0	1.15	1.20	1.25	1.29	1.42
3.0	1.08	1.12	1.17	1.21	1.34
4.0	1.02	1.06	1.12	1.15	1.29
5.5	0.96	1.00	1.06	1.09	1.22
8.0	0.89	0.93	0.99	1.02	1.15
12.0	0.81	0.85	0.91	0.94	1.08
16.0	0.76	0.80	0.85	0.89	1.02
22.0	0.71	0.76	0.81	0.85	0.98
24.0	0.68	0.72	0.78	0.81	0.94



Drive dimensioning

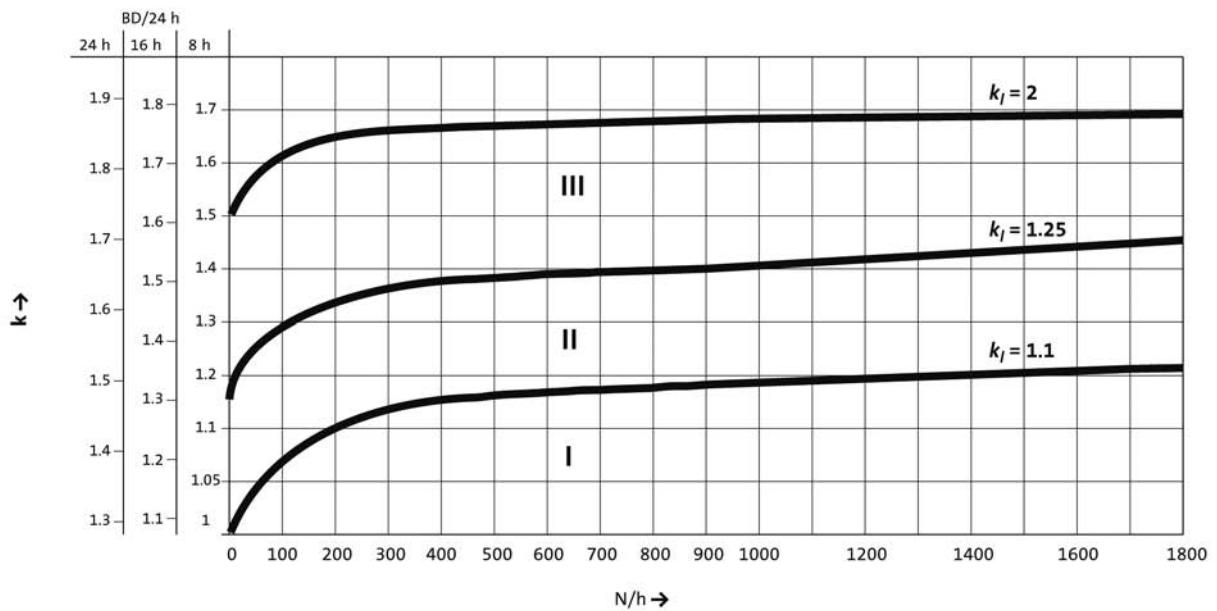
Additional radial force factors/Application factors

Additional radial force factors for the transmission elements

Transmission element	Additional radial force factor
	f_z
Gear wheels	1.12
Sprockets	1.25...1.4
Toothed belt pulleys	1.5
Narrow V-belt, depending on tension	1.5 ... 2.0

Application factors GPA

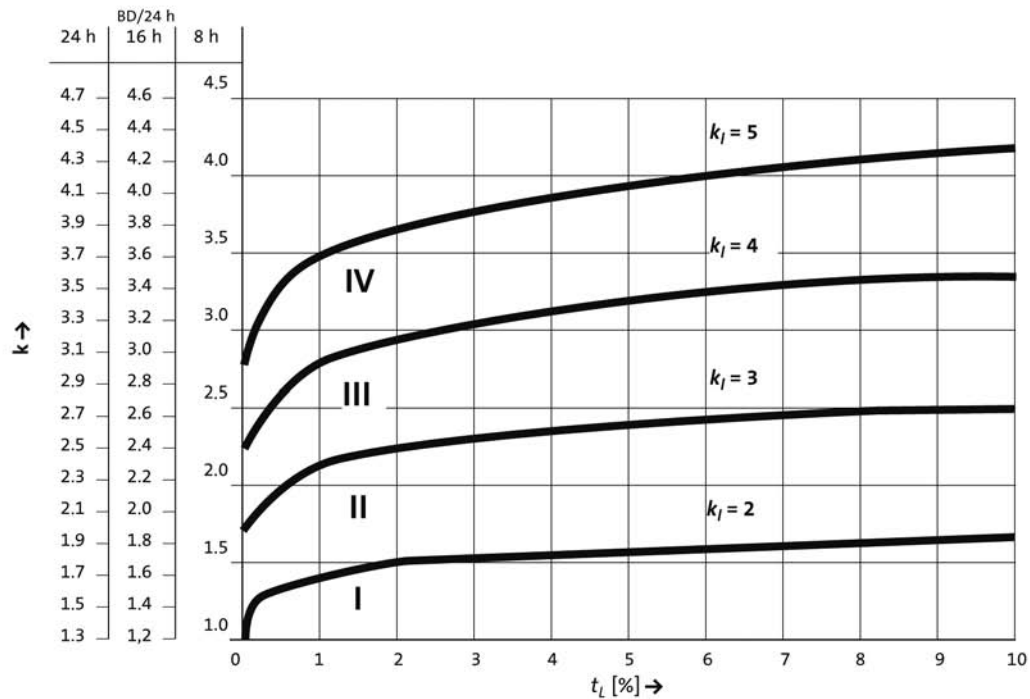
Take application factor k of the machine from the diagram into account.
Interpolation between the curves is permissible.





Application factors GST, GFL, GKR, GKS, GSS

Take application factor k of the machine from the diagram into account.
Interpolation between the curves is permissible.



Efficiencies

Gearbox type	Number of stages			
	1	2	3	4
	$\eta_{c=1}$	$\eta_{c=1}$	$\eta_{c=1}$	$\eta_{c=1}$
GST	0.98	0.97	0.95	
GFL		0.97	0.95	
GKR		0.95		
GKS			0.95	0.93
GPA	0.97	0.95		



Drive dimensioning

GSS efficiencies

The start-up efficiency η_A of a helical-worm gearbox is lower than its operative efficiency at rated speed.

The start-up efficiency η_A must therefore always be taken into consideration when starting under load.

		Output speeds n_2 [r/min]														
		I	1	5	10	16	25	32	40	63	100	160	250	400	630	800
		η_A	$\eta_{c=1}$	$\eta_{c=1}$	$\eta_{c=1}$	$\eta_{c=1}$	$\eta_{c=1}$	$\eta_{c=1}$	$\eta_{c=1}$	$\eta_{c=1}$	$\eta_{c=1}$	$\eta_{c=1}$	$\eta_{c=1}$	$\eta_{c=1}$	$\eta_{c=1}$	$\eta_{c=1}$
GSS04-2	5.639	0.71	0.78	0.79	0.83	0.86	0.88	0.89	0.89	0.90	0.90	0.90	0.90	0.90	0.89	0.89
	7.733	0.67	0.74	0.76	0.81	0.84	0.86	0.87	0.87	0.88	0.88	0.87	0.87	0.87	0.87	-
	9.042	0.71	0.78	0.79	0.83	0.86	0.88	0.89	0.89	0.90	0.90	0.90	0.90	0.90	0.89	0.89
	9.897	0.67	0.74	0.76	0.81	0.84	0.86	0.87	0.87	0.88	0.88	0.87	0.87	0.87	0.87	-
	10.827	0.71	0.78	0.79	0.83	0.86	0.88	0.89	0.89	0.90	0.90	0.90	0.90	0.90	0.89	0.89
	12.400	0.67	0.74	0.76	0.81	0.84	0.86	0.87	0.87	0.88	0.88	0.87	0.87	0.87	0.87	-
	13.810	0.71	0.78	0.79	0.83	0.86	0.88	0.89	0.89	0.90	0.90	0.90	0.90	0.90	0.89	0.89
	15.869	0.67	0.74	0.76	0.81	0.84	0.86	0.87	0.87	0.88	0.88	0.87	0.87	0.87	0.87	-
	17.360	0.67	0.74	0.76	0.81	0.84	0.86	0.87	0.87	0.88	0.88	0.87	0.87	0.87	0.87	-
	20.417	0.55	0.60	0.71	0.76	0.78	0.79	0.79	0.79	0.79	0.79	0.78	0.78	-	-	-
	22.143	0.67	0.74	0.76	0.81	0.84	0.86	0.87	0.87	0.88	0.88	0.87	0.87	0.87	0.87	0.87
	24.800	0.56	0.62	0.72	0.77	0.79	0.80	0.81	0.81	0.81	0.80	0.80	0.79	-	-	-
	27.125	0.67	0.74	0.76	0.81	0.84	0.86	0.87	0.87	0.88	0.88	0.87	0.87	0.87	0.87	0.87
	31.738	0.56	0.62	0.72	0.77	0.79	0.80	0.81	0.81	0.81	0.80	0.80	0.79	-	-	-
	34.100	0.67	0.74	0.76	0.81	0.84	0.86	0.87	0.87	0.88	0.88	0.87	0.87	0.87	0.87	0.87
	39.200	0.55	0.60	0.71	0.76	0.78	0.79	0.79	0.79	0.79	0.79	0.78	0.78	-	-	-
	43.917	0.67	0.74	0.76	0.81	0.84	0.86	0.87	0.87	0.88	0.88	0.87	0.87	0.87	0.87	0.87
	50.000	0.55	0.60	0.71	0.76	0.78	0.79	0.79	0.79	0.79	0.79	0.78	0.78	-	-	-
	54.250	0.56	0.62	0.72	0.77	0.79	0.80	0.81	0.81	0.81	0.80	0.80	0.79	-	-	-
	61.250	0.55	0.60	0.71	0.76	0.78	0.79	0.79	0.79	0.79	0.79	0.78	0.78	-	-	-
	68.200	0.56	0.62	0.72	0.77	0.79	0.80	0.81	0.81	0.81	0.80	0.80	0.79	-	-	-
	77.000	0.55	0.60	0.71	0.76	0.78	0.79	0.79	0.79	0.79	0.79	0.78	0.78	-	-	-
	87.833	0.56	0.62	0.72	0.77	0.79	0.80	0.81	0.81	0.81	0.80	0.80	0.79	-	-	-
	99.167	0.55	0.60	0.71	0.76	0.78	0.79	0.79	0.79	0.79	0.79	0.78	0.78	-	-	-
	111.318	0.56	0.62	0.72	0.77	0.79	0.80	0.81	0.81	0.81	0.80	0.80	0.79	-	-	-
	125.682	0.55	0.60	0.71	0.76	0.78	0.79	0.79	0.79	0.79	0.79	0.78	0.78	-	-	-
	139.500	0.56	0.62	0.72	0.77	0.79	0.80	0.81	0.81	0.81	0.80	0.80	0.79	-	-	-
	157.500	0.55	0.60	0.71	0.76	0.78	0.79	0.79	0.79	0.79	0.79	0.78	0.78	-	-	-
183.786	0.56	0.62	0.72	0.77	0.79	0.80	0.81	0.81	0.81	0.80	0.80	0.79	-	-	-	
207.500	0.55	0.60	0.71	0.76	0.78	0.79	0.79	0.79	0.79	0.79	0.78	0.78	-	-	-	



	Output speeds n_2 [r/min]															
	I	1	5	10	16	25	32	40	63	100	160	250	400	630	800	
	η_A	$\eta_{c=1}$	$\eta_{c=1}$	$\eta_{c=1}$	$\eta_{c=1}$	$\eta_{c=1}$	$\eta_{c=1}$	$\eta_{c=1}$	$\eta_{c=1}$	$\eta_{c=1}$	$\eta_{c=1}$	$\eta_{c=1}$	$\eta_{c=1}$	$\eta_{c=1}$	$\eta_{c=1}$	
GSS05-2	5.639	0.71	0.79	0.81	0.85	0.87	0.89	0.90	0.90	0.91	0.91	0.91	0.91	0.90	0.90	0.90
	7.733															
	9.042	0.67	0.75	0.79	0.83	0.86	0.87	0.88	0.88	0.89	0.89	0.88	0.88	0.88	0.88	-
	9.897															
	10.827	0.71	0.79	0.81	0.85	0.87	0.89	0.90	0.90	0.91	0.91	0.91	0.91	0.90	0.90	0.90
	12.400	0.67	0.75	0.79	0.83	0.86	0.87	0.88	0.88	0.89	0.89	0.88	0.88	0.88	0.88	-
	13.810	0.71	0.79	0.81	0.85	0.87	0.89	0.90	0.90	0.91	0.91	0.91	0.91	0.90	0.90	0.90
	15.869															
	17.360	0.67	0.75	0.79	0.83	0.86	0.87	0.88	0.88	0.89	0.89	0.88	0.88	0.88	0.88	
	20.417	0.55	0.62	0.74	0.79	0.80	0.81	0.81	0.81	0.81	0.81	0.81	0.81	-	-	
	22.143	0.67	0.75	0.79	0.83	0.86	0.87	0.88	0.88	0.89	0.89	0.88	0.88	0.88	0.88	
	24.800	0.57	0.63	0.75	0.79	0.81	0.82	0.82	0.83	0.83	0.82	0.82	0.82	-	-	
	27.125	0.67	0.75	0.79	0.83	0.86	0.87	0.88	0.88	0.89	0.89	0.88	0.88	0.88	0.88	
	31.738	0.57	0.63	0.75	0.79	0.81	0.82	0.82	0.83	0.83	0.82	0.82	0.82	-	-	
	35.306	0.67	0.75	0.79	0.83	0.86	0.87	0.88	0.88	0.89	0.89	0.88	0.88	0.88	0.88	
	39.200	0.55	0.62	0.74	0.79	0.80	0.81	0.81	0.81	0.81	0.81	0.81	0.81	-	-	
	43.917	0.67	0.75	0.79	0.83	0.86	0.87	0.88	0.88	0.89	0.89	0.88	0.88	0.88	0.88	
	50.000	0.55	0.62	0.74			0.80	0.81	0.81	0.81	0.81	0.81	0.81			
	54.250	0.57	0.63	0.75			0.81	0.82	0.82	0.83	0.83	0.82	0.82			-
	61.250	0.55	0.62	0.74			0.80	0.81	0.81	0.81	0.81	0.81	0.81			
	70.611	0.57	0.63	0.75			0.81	0.82	0.82	0.83	0.83	0.82	0.82			
	79.722	0.55	0.62	0.74			0.80	0.81	0.81	0.81	0.81	0.81	0.81			
	87.833	0.57	0.63	0.75			0.81	0.82	0.82	0.83	0.83	0.82	0.82			
	99.167	0.55	0.62	0.74	0.79		0.80	0.81	0.81	0.81	0.81	0.81	0.81	-	-	
	113.667	0.57	0.63	0.75			0.81	0.82	0.82	0.83	0.83	0.82	0.82			
	128.333	0.55	0.62	0.74			0.80	0.81	0.81	0.81	0.81	0.81	0.81			
	137.950	0.57	0.63	0.75			0.81	0.82	0.82	0.83	0.83	0.82	0.82			
	155.750	0.55	0.62	0.74			0.80	0.81	0.81	0.81	0.81	0.81	0.81			
176.313	0.57	0.63	0.75			0.81	0.82	0.82	0.83	0.83	0.82	0.82				
199.063	0.55	0.62	0.74			0.80	0.81	0.81	0.81	0.81	0.81	0.81				



Drive dimensioning

GSS efficiencies

		Output speeds n_2 [r/min]														
		I	1	5	10	16	25	32	40	63	100	160	250	400	630	800
		η_A	$\eta_{c=1}$	$\eta_{c=1}$	$\eta_{c=1}$	$\eta_{c=1}$	$\eta_{c=1}$	$\eta_{c=1}$	$\eta_{c=1}$	$\eta_{c=1}$	$\eta_{c=1}$	$\eta_{c=1}$	$\eta_{c=1}$	$\eta_{c=1}$	$\eta_{c=1}$	$\eta_{c=1}$
GSS05-3	125.476															
	153.708	0.67	0.75	0.79	0.83	0.86	0.87	0.88	0.88	0.89	0.89	0.88	0.88	0.88	0.88	
	193.233															
	222.133	0.55	0.62	0.74		0.80	0.81	0.81	0.81	0.81	0.81	0.81	0.81			
	250.952	0.57	0.63	0.75		0.81	0.82	0.82	0.83	0.83	0.82	0.82	0.82			
	283.333	0.55	0.62	0.74		0.80	0.81	0.81	0.81	0.81	0.81	0.81	0.81			
	307.417	0.57	0.63	0.75		0.81	0.82	0.82	0.83	0.83	0.82	0.82	0.82			
	347.083	0.55	0.62	0.74		0.80	0.81	0.81	0.81	0.81	0.81	0.81	0.81			
	386.467	0.57	0.63	0.75	0.79	0.81	0.82	0.82	0.83	0.83	0.82	0.82	0.82	-	-	
	436.333	0.55	0.62	0.74		0.80	0.81	0.81	0.81	0.81	0.81	0.81	0.81			
	497.722	0.57	0.63	0.75		0.81	0.82	0.82	0.83	0.83	0.82	0.82	0.82			
	561.944	0.55	0.62	0.74		0.80	0.81	0.81	0.81	0.81	0.81	0.81	0.81			
	630.803	0.57	0.63	0.75		0.81	0.82	0.82	0.83	0.83	0.82	0.82	0.82			
	712.197	0.55	0.62	0.74		0.80	0.81	0.81	0.81	0.81	0.81	0.81	0.81			



	Output speeds n_2 [r/min]															
	I	1	5	10	16	25	32	40	63	100	160	250	400	630	800	
	η_A	$\eta_{c=1}$	$\eta_{c=1}$	$\eta_{c=1}$	$\eta_{c=1}$	$\eta_{c=1}$	$\eta_{c=1}$	$\eta_{c=1}$	$\eta_{c=1}$	$\eta_{c=1}$	$\eta_{c=1}$	$\eta_{c=1}$	$\eta_{c=1}$	$\eta_{c=1}$	$\eta_{c=1}$	
GSS06-2	5.833	0.72	0.80	0.83	0.87	0.89	0.90	0.91	0.91	0.91	0.92	0.92	0.92	0.91	0.91	0.91
	8.000															
	9.042	0.67	0.75	0.81	0.85	0.87	0.88	0.89	0.89	0.89	0.89	0.89	0.89	0.89	0.89	-
	10.238															
	11.200	0.72	0.80	0.83	0.87	0.89	0.90	0.91	0.91	0.91	0.92	0.92	0.92	0.91	0.91	0.91
	12.400	0.67	0.75	0.81	0.85	0.87	0.88	0.89	0.89	0.89	0.89	0.89	0.89	0.89	0.89	-
	14.286	0.72	0.80	0.83	0.87	0.89	0.90	0.91	0.91	0.91	0.92	0.92	0.92	0.91	0.91	0.91
	15.869															
	17.360	0.67	0.75	0.81	0.85	0.87	0.88	0.89	0.89	0.89	0.89	0.89	0.89	0.89	0.89	-
	20.417	0.57	0.64	0.77	0.81	0.82	0.83	0.83	0.83	0.83	0.83	0.83	0.83	-	-	-
	22.143	0.67	0.75	0.81	0.85	0.87	0.88	0.89	0.89	0.89	0.89	0.89	0.89	0.89	0.89	0.89
	24.800	0.57	0.64	0.77	0.81	0.83	0.83	0.83	0.83	0.83	0.83	0.83	0.83	-	-	-
	27.125	0.67	0.75	0.81	0.85	0.87	0.88	0.89	0.89	0.89	0.89	0.89	0.89	0.89	0.89	0.89
	31.738	0.57	0.64	0.77	0.81	0.83	0.83	0.83	0.83	0.83	0.83	0.83	0.83	-	-	-
	35.306	0.67	0.75	0.81	0.85	0.87	0.88	0.89	0.89	0.89	0.89	0.89	0.89	0.89	0.89	0.89
	39.200	0.57	0.64	0.77	0.81	0.82	0.83	0.83	0.83	0.83	0.83	0.83	0.83	-	-	-
	43.917	0.67	0.75	0.81	0.85	0.87	0.88	0.89	0.89	0.89	0.89	0.89	0.89	0.89	0.89	0.89
	50.000					0.82										
	54.250					0.83										-
	61.250					0.82										
	70.611					0.83										
	79.722					0.82										
	87.833					0.83										
	99.167	0.57	0.64	0.77	0.81	0.82	0.83	0.83	0.83	0.83	0.83	0.83	0.83	-	-	-
	113.667					0.83										
	128.333					0.82										
137.950					0.83											
155.750					0.82											
174.375					0.83											
196.875					0.82											



Drive dimensioning

GSS efficiencies

		Output speeds n_2 [r/min]														
		I	1	5	10	16	25	32	40	63	100	160	250	400	630	800
		η_A	$\eta_{c=1}$	$\eta_{c=1}$	$\eta_{c=1}$	$\eta_{c=1}$	$\eta_{c=1}$	$\eta_{c=1}$	$\eta_{c=1}$	$\eta_{c=1}$	$\eta_{c=1}$	$\eta_{c=1}$	$\eta_{c=1}$	$\eta_{c=1}$	$\eta_{c=1}$	$\eta_{c=1}$
GSS06-3	126.531					0.83										
	142.857					0.82										
	155.000					0.83										
	175.000					0.82										
	194.857					0.83										
	220.000					0.82										
	238.700					0.83										
	269.500					0.82										
	310.689					0.83										
	350.778					0.82										
	386.467					0.83										
	436.333	0.57	0.64	0.77	0.81	0.82	0.83	0.83	0.83	0.83	0.83	0.83	0.83	-	-	-
	497.722					0.83										
	561.944					0.82										
	630.803					0.83										
	712.197					0.82										
	816.333					0.83										
	921.667					0.82										
	1023.000					0.83										
	1155.000					0.82										
1241.550					0.83											
1401.750					0.82											
1635.693					0.83											
1846.750					0.82											



	Output speeds n_2 [r/min]														
	I	1	5	10	16	25	32	40	63	100	160	250	400	630	800
	η_A	$\eta_{c=1}$	$\eta_{c=1}$	$\eta_{c=1}$	$\eta_{c=1}$	$\eta_{c=1}$	$\eta_{c=1}$	$\eta_{c=1}$	$\eta_{c=1}$	$\eta_{c=1}$	$\eta_{c=1}$	$\eta_{c=1}$	$\eta_{c=1}$	$\eta_{c=1}$	$\eta_{c=1}$
GSS07-2	5.862	0.74	0.82	0.86	0.89	0.91	0.92	0.92	0.92	0.92	0.92	0.92	0.92	0.92	0.92
	8.125														
	9.086	0.69	0.77	0.84	0.88	0.89	0.90	0.90	0.90	0.90	0.90	0.90	0.90	0.90	0.90
	10.000														
	11.200	0.74	0.82	0.86	0.89	0.91	0.92	0.92	0.92	0.92	0.92	0.92	0.92	0.92	0.92
	12.594	0.69	0.77	0.84	0.88	0.89	0.90	0.90	0.90	0.90	0.90	0.90	0.90	0.90	0.90
	14.286	0.74	0.82	0.86	0.89	0.91	0.92	0.92	0.92	0.92	0.92	0.92	0.92	0.92	0.92
	15.500														
	17.360	0.69	0.77	0.84	0.88	0.89	0.90	0.90	0.90	0.90	0.90	0.90	0.90	0.90	0.90
	20.517	0.60	0.67	0.81	0.84	0.84	0.85	0.85	0.85	0.85	0.85	0.85	0.85	-	-
	22.143	0.69	0.77	0.84	0.88	0.89	0.90	0.90	0.90	0.90	0.90	0.90	0.90	0.90	0.90
	25.188	0.60	0.66	0.80	0.84	0.85	0.85	0.85	0.85	0.85	0.85	0.85	0.85	-	-
	27.125	0.69	0.77	0.84	0.88	0.89	0.90	0.90	0.90	0.90	0.90	0.90	0.90	0.90	0.90
	31.000	0.60	0.66	0.80	0.84	0.85	0.85	0.85	0.85	0.85	0.85	0.85	0.85	-	-
	35.306	0.69	0.77	0.84	0.88	0.89	0.90	0.90	0.90	0.90	0.90	0.90	0.90	0.90	0.90
	39.200	0.60	0.67	0.81	0.84	0.84	0.85	0.85	0.85	0.85	0.85	0.85	0.85	-	-
	43.271	0.69	0.77	0.84	0.88	0.89	0.90	0.90	0.90	0.90	0.90	0.90	0.90	0.90	0.90
	50.000		0.67	0.81		0.84									
	54.250		0.66	0.80		0.85									
	61.250		0.67	0.81		0.84									
	70.611		0.66	0.80		0.85									
	79.722		0.67	0.81		0.84									
	86.542		0.66	0.80		0.85									
	97.708	0.60	0.67	0.81	0.84	0.84	0.85	0.85	0.85	0.85	0.85	0.85	0.85	-	-
113.667		0.66	0.80		0.85										
128.333		0.67	0.81		0.84										
137.950		0.66	0.80		0.85										
155.750		0.67	0.81		0.84										
174.375		0.66	0.80		0.85										
196.875		0.67	0.81		0.84										



Drive dimensioning

GSS efficiencies

		Output speeds n_2 [r/min]														
		I	1	5	10	16	25	32	40	63	100	160	250	400	630	800
		η_A	$\eta_{c=1}$	$\eta_{c=1}$	$\eta_{c=1}$	$\eta_{c=1}$	$\eta_{c=1}$	$\eta_{c=1}$	$\eta_{c=1}$	$\eta_{c=1}$	$\eta_{c=1}$	$\eta_{c=1}$	$\eta_{c=1}$	$\eta_{c=1}$	$\eta_{c=1}$	$\eta_{c=1}$
GSS07-3	126.531	0.60	0.66	0.80	0.84	0.85	0.85	0.85	0.85	0.85	0.85	0.85	0.85	-	-	-
	142.857		0.67	0.81		0.84										
	155.000		0.66	0.80		0.85										
	175.000		0.67	0.81		0.84										
	201.746		0.66	0.80		0.85										
	227.778		0.67	0.81		0.84										
	247.139		0.66	0.80		0.85										
	279.028		0.67	0.81		0.84										
	321.673		0.66	0.80		0.85										
	363.179		0.67	0.81		0.84										
	394.245		0.66	0.80		0.85										
	445.116		0.67	0.81		0.84										
	490.403		0.66	0.80		0.85										
	553.681		0.67	0.81		0.84										
	634.639		0.66	0.80		0.85										
	716.528		0.67	0.81		0.84										
	833.556		0.66	0.80		0.85										
	941.111		0.67	0.81		0.84										
	1011.633		0.66	0.80		0.85										
	1142.167		0.67	0.81		0.84										
1227.755	0.66	0.80	0.85													
1386.175	0.67	0.81	0.84													
1569.181	0.66	0.80	0.85													
1771.656	0.67	0.81	0.84													



General data

Gearbox type	GST	GFL	GKR	GKS	GSS
Housing					
Design	Cuboid				
Material	Aluminium/grey cast iron				
Solid shaft					
Design	With keyway in accordance with DIN 6885 Centring hole in accordance with DIN 332, Part 2				
Tolerance	k6 ($d \leq 50$ mm) m6 ($d > 50$ mm)				
Material	Tempering steel C45 or 42CrMo4				
Hollow shaft					
Design	-	Hollow shaft (H): with keyway Hollow shaft with shrink disc (S): smooth			
Tolerance	-	Bore measured in accordance with ISO H7 with plug gauge			
Material	-	Tempering steel C45			
Geared parts					
Design	Optimised tooth flanks and profile geometry; ground tooth flanks				
Material	Case-hardened steel			Case-hardened steel, worm gear bronze	
Shaft-hub joint					
Design	1st stage/pre-stage: friction-type connection (= 2nd, 3rd or 4th stage): friction-type or positive-fit				
Shaft sealing rings					
Design	With dust lip				
Material	NB/FP (Viton)				
Bearing					
Design	Ball bearings/tapered-roller bearings depending on frame size and design				
Lubricants					
Design	In accordance with DIN 51502				
Fill volumes	Depending on the mounting position (see Operating Instructions)				
Mechanical efficiency					
At rated torque	$0.95 \leq \eta \leq 0.98$	$0.95 \leq \eta \leq 0.96$	$0.93 \leq \eta \leq 0.95$	$0.79 \leq \eta \leq 0.92$ ▶ depending on ratio ▶ when $n_1 = 1400$ r/min ▶ gearbox at operating temperature and gearing run in	
Noises	Does not exceed the emission values specified in VDI Guideline 2159				
Enclosure					
Design	IP55 and IP65				

General data

Gearbox type	GPA
Housing	
Design	Cuboid
Material	Cast iron with nodular graphite
Solid shaft	
Design	Smooth without keyway Centring hole in accordance with DIN 332, Part 2
Tolerance	k6
Material	Tempering steel C45
Geared parts	
Design	Spur toothing, optimised tooth flanks and profile geometry
Planet pinions + sun wheel	Design: case-hardened and tooth flanks ground Material: case-hardened steel 17 Cr Ni Mo 6
Internal gearing	Design: shaped or broached Material: ductile cast iron EN-GJS-700-2
Ratios	Design: all ratios are mathematically exact
Shaft-hub joint	
	Positive-fit with special splined shaft profile
Shaft sealing rings	
Design	With dust lip
Material	FP (Viton)
Bearing	
Design	Ball bearings/tapered-roller bearings/needle bearings depending on frame size
Lubricants	
Design	In accordance with DIN 51502
Fill volumes	Depending on the mounting position (see Operating Instructions)
Mechanical efficiency	
At rated torque	$0.95 \leq \eta \leq 0.98$
Noises	
	Does not exceed the emission values specified in VDI Guideline 2159
Enclosure	
Design	IP54 and IP65



Ventilation

Gearboxes without ventilation

Ventilation is not required for the following gearboxes:

GST03/04
GFL04
GPA00...05
GKR03...05
GKS04
GSS04

Gearboxes that can be fitted with optional ventilation

If you are using these gearboxes, in most cases you will not need to provide special means of ventilation. In borderline cases, e.g. at input speeds > 2000 r/min, we recommend the use of breather elements, which can be purchased separately from us.

GST05
GFL05
GKS05

Gearboxes with ventilation

The following gearboxes are supplied with breather elements as standard:

GST06...14
GFL06...14
GKR06
GKS06...14
GSS05...07

Special precautions for mounting position C (motor on top)

For gearbox sizes G□□09...14 in this mounting position, we recommend the use of an oil compensation reservoir. This can be purchased separately. Depending on the gearbox type, you can find illustrations and special precautions under ventilation G□□ [⊗].

It is not required at high ratios or low input speeds. Please contact Lenze in such cases.

Lubricants

Lenze gearboxes and geared motors are ready for operation on delivery and are filled with lubricants that are specific to both the drive and the design. The mounting position and design specified in the order are decisive factors in choosing the volume of lubricant.

The lubricants listed in the lubricant table are approved for use in Lenze drives.

Lubricant table

- ▶ Please contact us you are working at ambient temperatures < -20°C or > +40°C.

Lubricants in accordance with DIN 51517-3: CLP-ISO 12925-1: CKC/CKD	CLP HC 320	CLP HC 150	CLP HC 220 USDA H1	CLP PG 460
GST / GFL / GKR / GKS	•		•	
GPA		•		
GSS				•
Ambient temperature [°C]	-25 ... +50		-20 ... +40	
Specification	Synthetic oil (synthetic hydrocarbon/poly-alpha-olefin oil)			Synthetic oil (polyglycol)
Note			For the foodstuffs processing industry.	Not mixable with other oil types.
Change interval	25000 operating hours		16000 operating hours	25000 operating hours
	After no more than three years (oil temperature 70 ... 80°C)			
Fuchs	Fuchs Renolin Unisyn CLP 320		bremer & leguil Cassida Fluid GL 220	
Klüber	Klübersynth GEM4-320		Klüberoil 4 UH1-220 N	Klübersynth GH 6-460
Shell	Shell Omala Oil HD 320			Shell Tivela S 460
Mobil		Mobil SHC 629		

- ▶ Caution: when using the lubricant CLP HC 220 on the GSS helical-worm gearbox, the torque M_2 must be reduced to 80 % of the values stated in the catalogue!



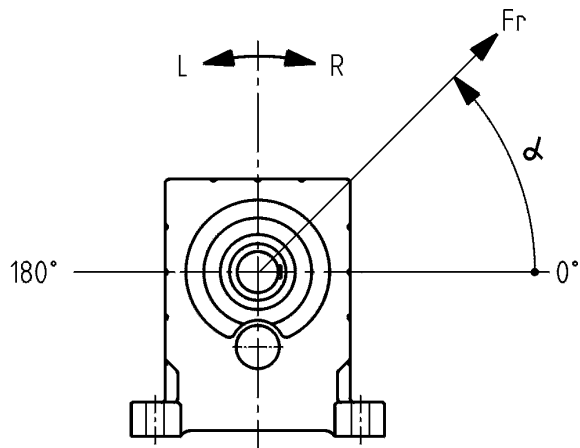
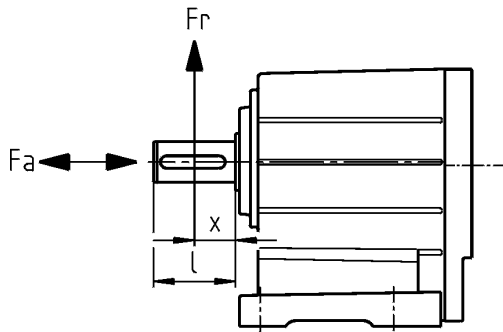
Permissible radial force

$$F_{r_{zul}} = \min(f_w \times f_\alpha \times Fr_{Tab}; f_w \times Fr_{max})$$

At F_r and $F_a \neq 0$ please contact your Lenze sales office.

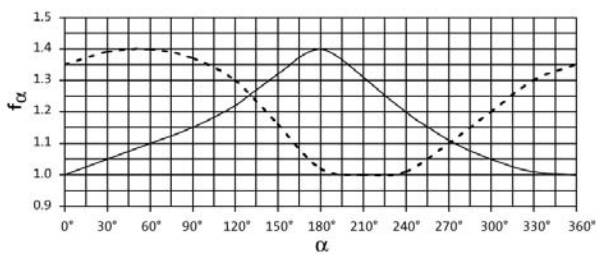
Permissible axial force

$$F_{a_{zul}} = Fa_{Tab} \text{ at } Fr = 0$$

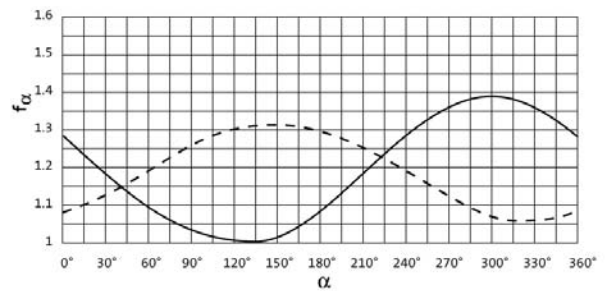


Effective direction factor f_α at output shaft

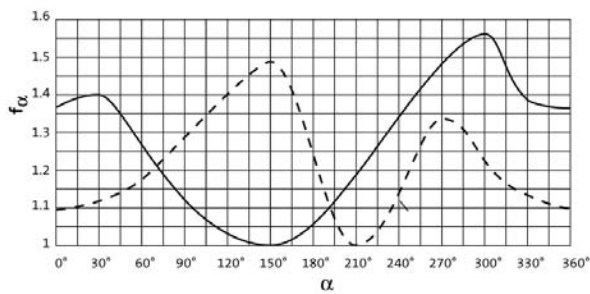
GST03-2



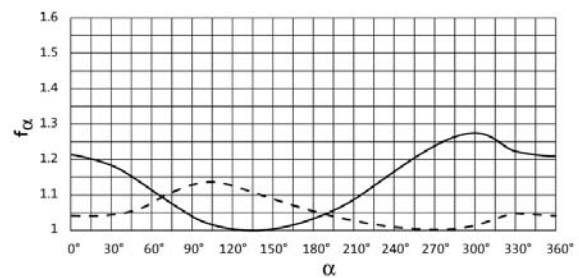
GST04...09-1



GST04...09-2, 3



GST11...14-2, 3



—— Direction of rotation R

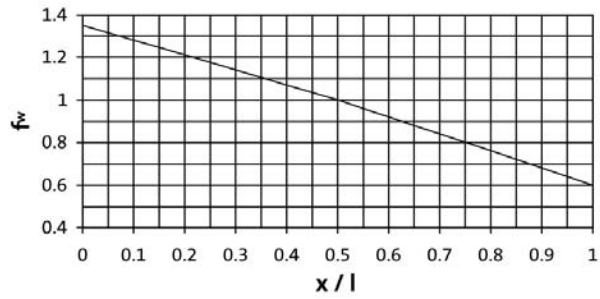
- - - Direction of rotation L



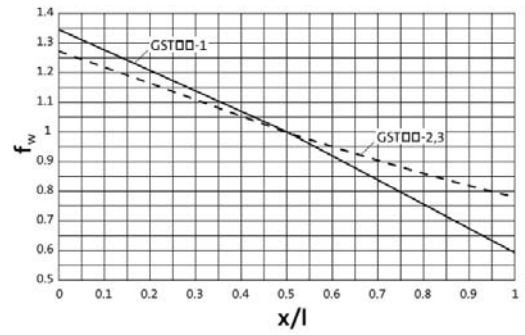
GST [N]

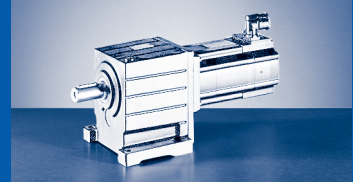
Additional load factor f_w at output shaft

GST03-2



GST04...14-1, 2, 3





GST□□-1

Solid shaft (V□□)										
Application of force F_r : centre of shaft journal ($x = l/2$)										
$F_{a_{Tab}}$ only valid for $F_r = 0$										
	GST04-1		GST05-1		GST06-1		GST07-1		GST09-1	
n_2 [r/min]	$F_{r_{Tab}}$ [N]	$F_{a_{Tab}}$ [N]	$F_{r_{Tab}}$ [N]	$F_{a_{Tab}}$ [N]	$F_{r_{Tab}}$ [N]	$F_{a_{Tab}}$ [N]	$F_{r_{Tab}}$ [N]	$F_{a_{Tab}}$ [N]	$F_{r_{Tab}}$ [N]	$F_{a_{Tab}}$ [N]
2500	100	600	100	800	200	900	700	1200	1750	2500
1600	180	800	250	1100	600	1200	1000	1600	2200	3400
1000	440	1000	550	1400	800	1500	1200	2000	2500	4300
600	600	1300	750	2000	800	2000	1300	2700	2500	5700
400	850	1400	1400	2000	1100	2500	1900	3300	3500	6800
200	1050	1400	2000	2000	2200	2500	3000	3700	6200	7000
125	1050	1400	2300	2000	2900	2500	3900	3700	7900	7000
80	1050	1400	2300	2000	3500	2500	4700	3700	9000	7000
≤ 50	1050	1400	2300	2000	3500	2500	5300	3700	9500	7000
$F_{r_{max}}$	1050	-	2300	-	3500	-	5300	-	9500	-



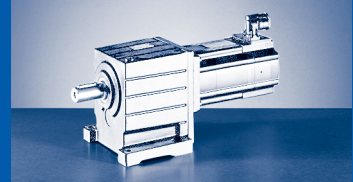
GST [N]

GST□□-2/3 with standard bearings

		Solid shaft (V□□) Application of force Fr: centre of shaft journal (x = l/2) Fa _{Tab} only valid for Fr = 0															
		GST03-2		GST04-2		GST05-2/3		GST06-2/3		GST07-2/3		GST09-2/3		GST11-2/3		GST14-2/3	
n ₂ [r/min]	Fr _{Tab} [N]	Fa _{Tab} [N]	Fr _{Tab} [N]	Fa _{Tab} [N]	Fr _{Tab} [N]	Fa _{Tab} [N]	Fr _{Tab} [N]	Fa _{Tab} [N]	Fr _{Tab} [N]	Fa _{Tab} [N]	Fr _{Tab} [N]	Fa _{Tab} [N]	Fr _{Tab} [N]	Fa _{Tab} [N]	Fr _{Tab} [N]	Fa _{Tab} [N]	
1000	100	300	730	600	1150	1200	140	500	140	1100	1500	1300	11500	5700	16600	9000	
630	300	400	950	800	1500	1600	750	600	2050	1500	1950	1800	14400	7600	20700	12000	
400	630	600	1250	1100	1950	2000	2350	850	3400	1900	6800	2300	17000	9500	24000	15000	
250	710	700	1450	1300	2200	2300	2600	900	3800	2200	7600	2800	19000	10000	27000	16000	
160	800	800	1700	1650	2600	2650	3100	1250	4500	2900	9400	4000	21000	11000	31000	18000	
100	920	900	2100	2000	3000	3100	3600	1800	5400	3900	11500	5600	21000	14000	36000	20000	
63	1100	1000	2500	2000	3500	3600	4300	2600	6400	5300	11500	8100	21000	16000	39000	20000	
40	1400	1000	2650	2000	3800	3600	4350	3600	7600	7000	11500	11000	21000	16000	40000	20000	
25	1500	1000	2650	2000	3900	3600	4350	4800	9100	7000	11500	12000	21000	16000	40000	20000	
≤ 16	1500	1000	2650	2000	3900	3600	4350	4800	9500	7000	11500	12000	21000	16000	40000	20000	
Fr _{max}	1500	-	2650	-	3900	-	4350	-	9500	-	11500	-	21000	-	40000	-	

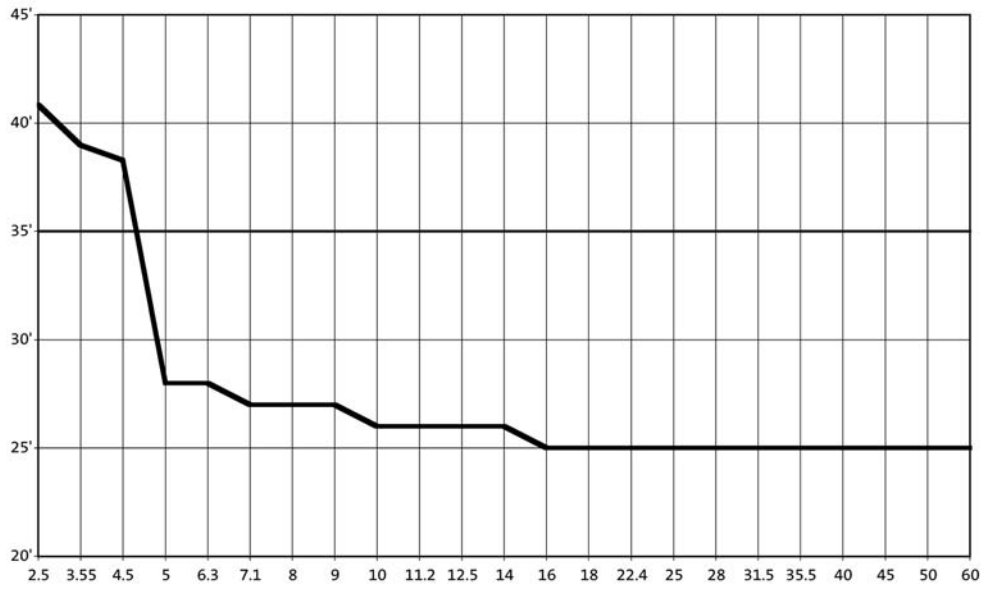
GST□□-2/3 with reinforced bearings

		Solid shaft (V□□) Application of force Fr: centre of shaft journal (x = l/2) Fa _{Tab} only valid for Fr = 0									
		GST04-2		GST05-2/3		GST06-2/3		GST07-2/3		GST09-2/3	
n ₂ [r/min]	Fr _{Tab} [N]	Fa _{Tab} [N]	Fr _{Tab} [N]	Fa _{Tab} [N]	Fr _{Tab} [N]	Fa _{Tab} [N]	Fr _{Tab} [N]	Fa _{Tab} [N]	Fr _{Tab} [N]	Fa _{Tab} [N]	
1000	1900	1000	3350	2100	4250	2100	5650	3300	11300	4800	
630	2350	1300	3950	2800	5100	2800	6850	4400	14000	6400	
400	2850	1700	4900	3600	6300	3500	8500	5500	16500	8000	
250	3150	1900	5400	3900	7000	3600	9500	6100	17000	9000	
160	3550	2200	5400	4300	7700	4200	10500	7100	17000	10500	
100	3750	2500	5400	4500	7700	4900	12500	8300	17000	12500	
63	3750	2500	5400	4500	7700	5700	13000	9000	17000	14000	
40	3750	2500	5400	4500	7700	5700	13000	9000	17000	14000	
25	3750	2500	5400	4500	7700	5700	13000	9000	17000	14000	
≤ 16	3750	2500	5400	4500	7700	5700	13000	9000	17000	14000	
Fr _{max}	3750	-	5400	-	7700	-	13000	-	17000	-	



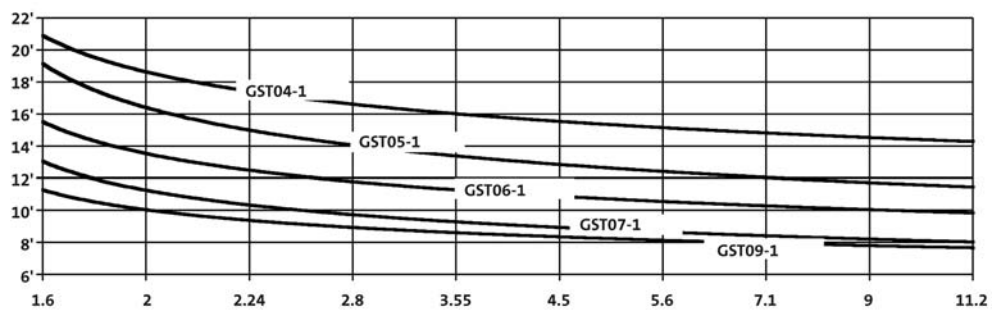
Output backlash in angular minutes

GST03-2



Ratio

GST04...09-1

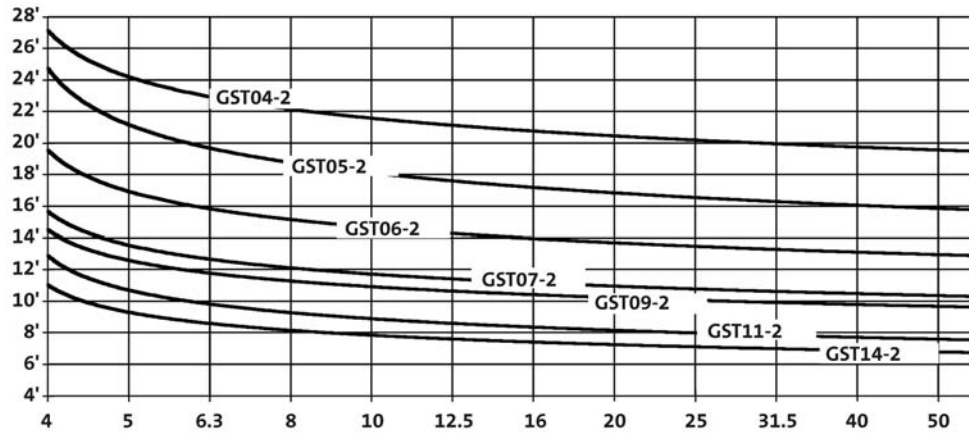


Ratio



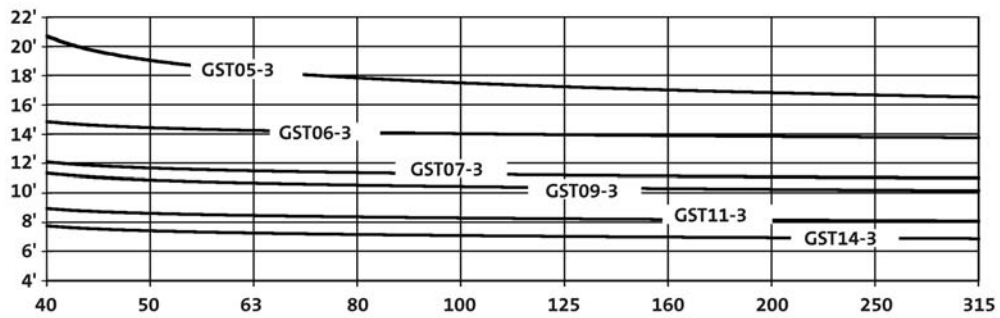
Output backlash in angular minutes

GST04...14-2

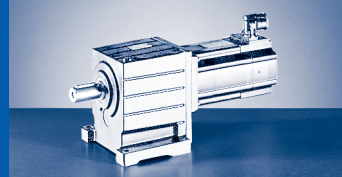


Ratio

GST05...14-3

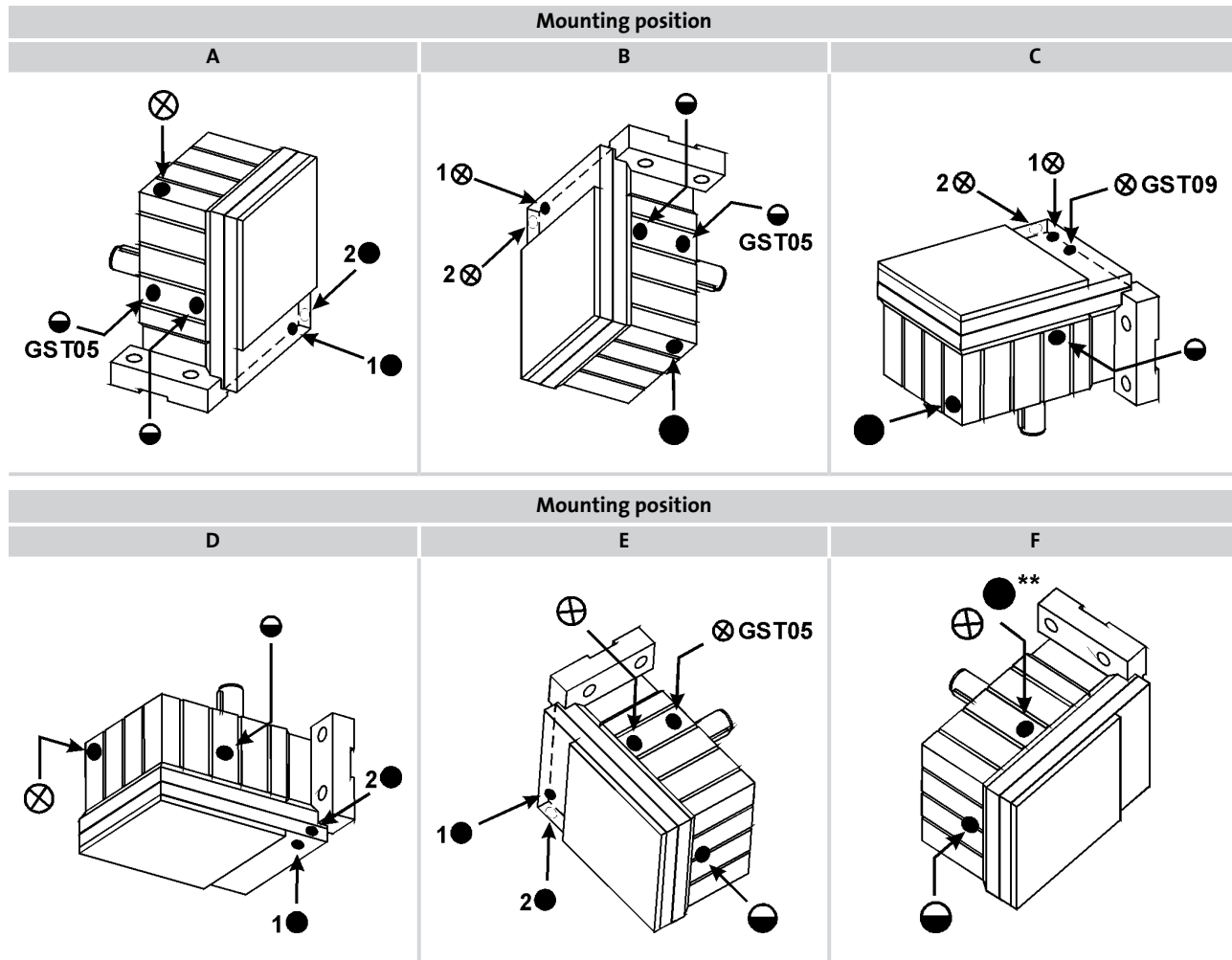


Ratio



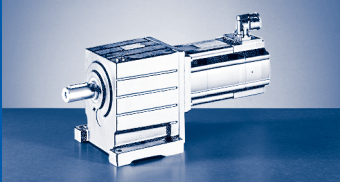
Position of ventilation, sealing elements and oil control

GST05...09-1



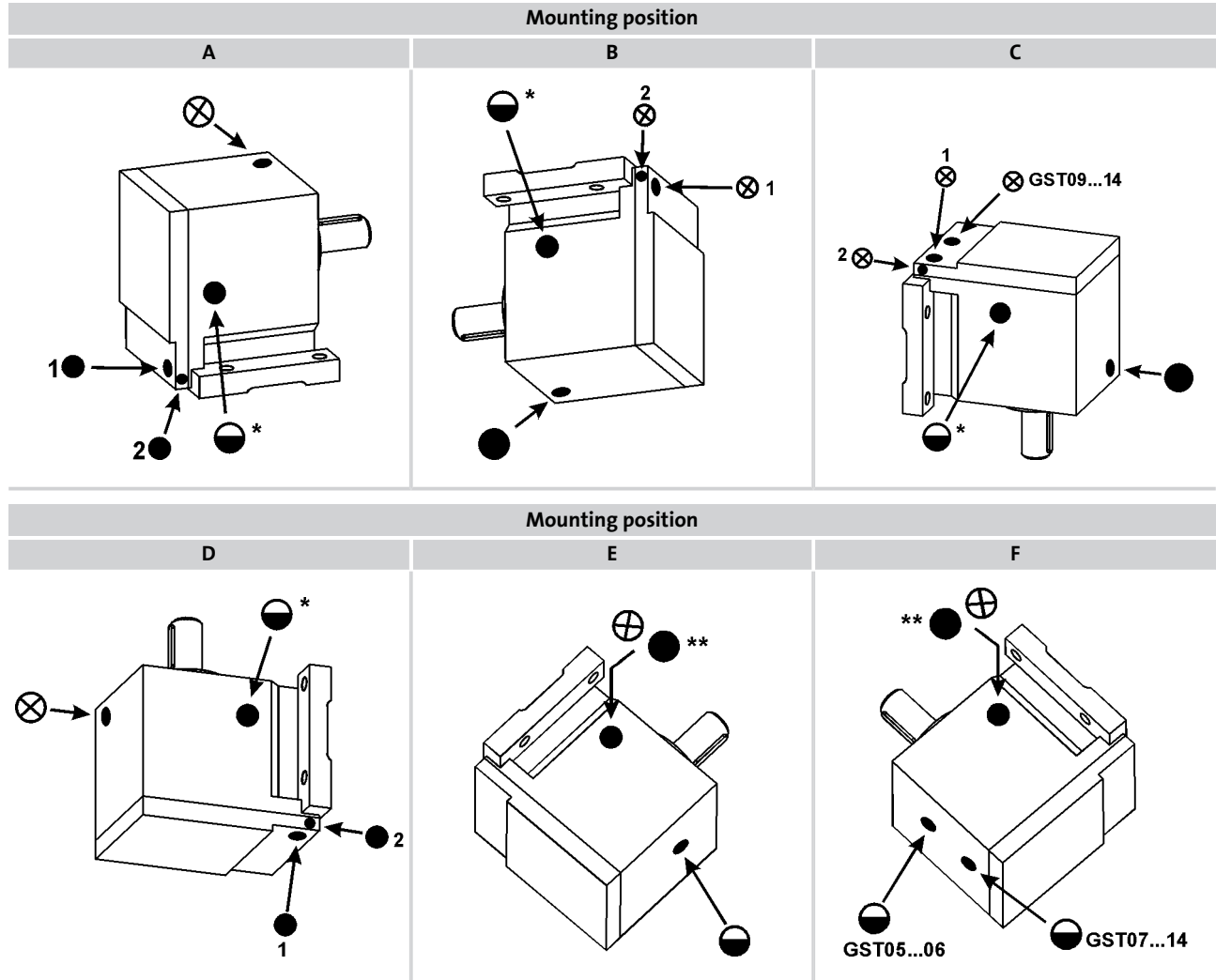
- ⊗ Ventilation/oil filler plug
- Oil drain plug
- ⊖ Oil control plug
- * On both sides
- ** Opposite

Pos.1 standard
 Pos.2 only on GST05-1A □□□ 14LC□□



Position of ventilation, sealing elements and oil control

GST05...14-2



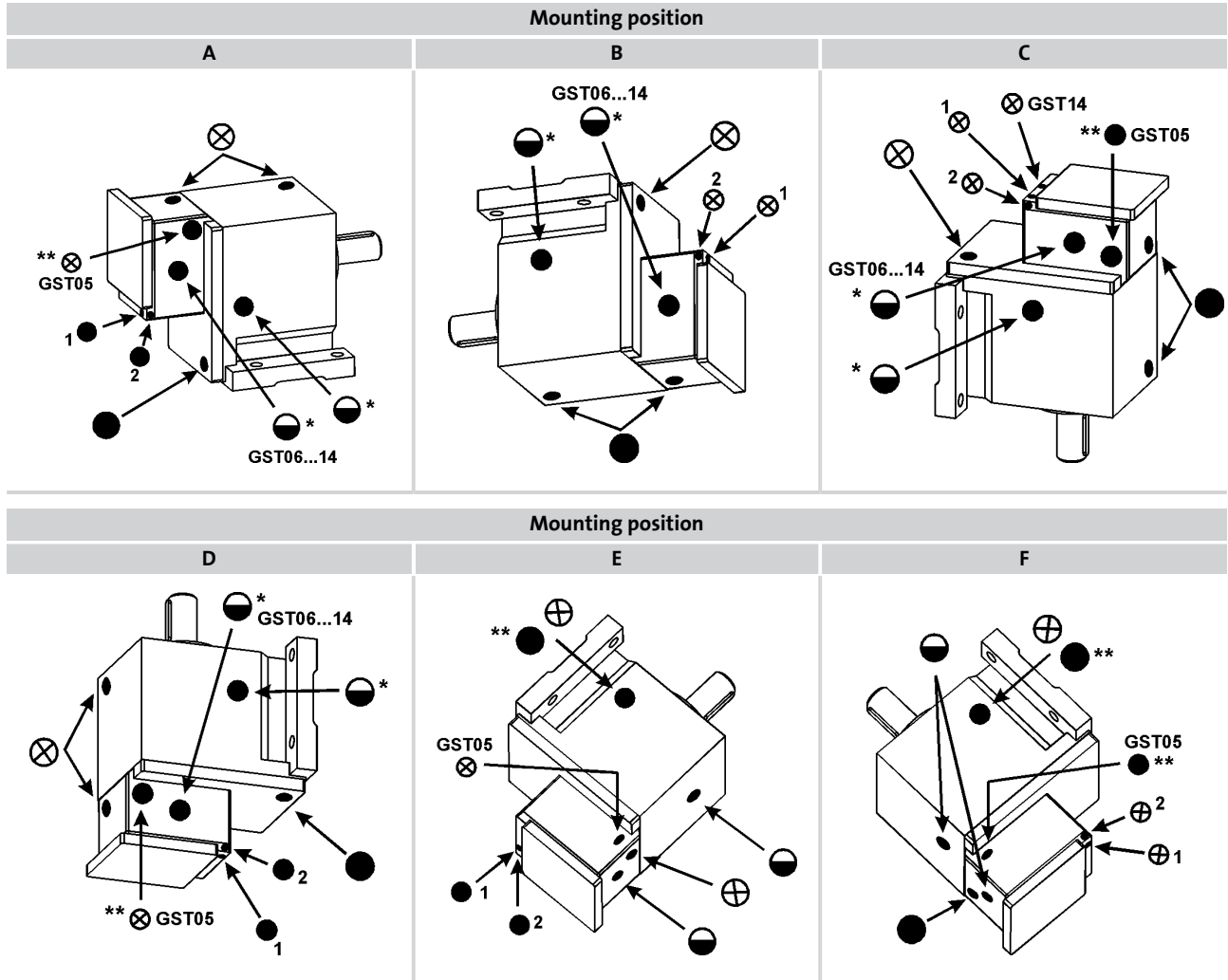
- ⊗ Ventilation/oil filler plug
- Oil drain plug
- Oil control plug
- * On both sides
- ** Opposite

Pos.1 standard
 Pos.2 only on GST05-2A □□□ 14LC□□



Position of ventilation, sealing elements and oil control

GST05...14-3

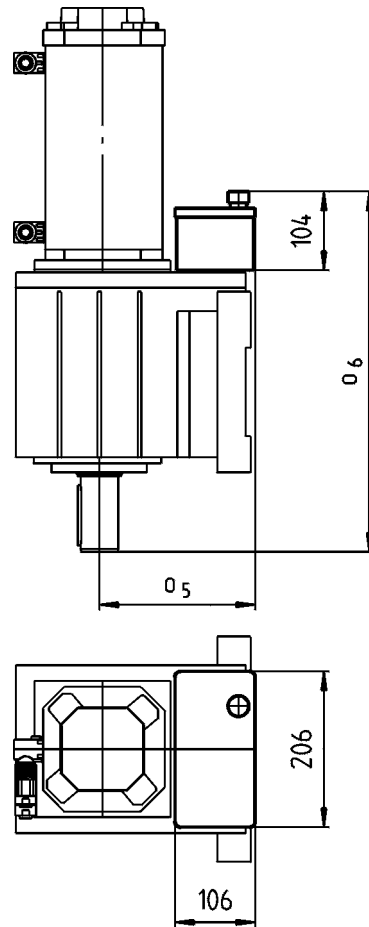


- ⊗ Ventilation/oil filler plug
- Oil drain plug
- ⊖ Oil control plug
- * On both sides
- ** Opposite

Pos.1 standard
 Pos.2 only on GST07-3A □□□ 14LC□□



Compensation reservoir for mounting position C



GST□□-2A...		14LC□□ ¹⁾	17NC□□ ¹⁾	19SC□□ ¹⁾	21XC□□ ¹⁾	GST□□-2S...		12□C□□	14□C□□	19□C□□
GST09...	o ₅	206		226	245	GST09...	o ₅	206		245
	o ₆	477					o ₆	477		
GST11...	o ₅	208		230	254	GST11...	o ₅	208		254
	o ₆	536		540			o ₆	536		540
GST14...	o ₅			252	282	GST14...	o ₅			282
	o ₆			640			o ₆			640

¹⁾ Connector/terminal box position 4 is not permitted.



GST□□-1S VBR...RSO B0

	06C C41	06F C41	06I C41	09D C41	09F C38	09H C41	09L C41	12D C20	12D C41	12H C15	12H C30	12H C35	12L C20	12L C41
GST04...	7		8	10		11	13							
GST05...	9		10	12		13		15			18			21
GST06...	14		15	16	17	18	20	19			23			26
GST07...				26	27	28	30	29			32			35
GST09...								45			48			51

	14D C15	14D C36	14H C15	14H C32	14L C15	14L C32	14P C14	14P C32	19F C14	19F C30	19J C14	19J C30	19P C14	19P C30
GST06...	25		29		34		39							
GST07...	34		39		44		49		51		58			68
GST09...	50		55		59		64		66		73			83

GST□□-1S VCR...RSO B0

	06C C41	06F C41	06I C41	09D C41	09F C38	09H C41	09L C41	12D C20	12D C41	12H C15	12H C30	12H C35	12L C20	12L C41
GST04...	6		7	9	10	11	13							
GST05...	8		9	11		12		14			17			20
GST06...	12		13	15	16			18			21			24
GST07...				23	24	25	27	26			29			32
GST09...								40			43			47

	14D C15	14D C36	14H C15	14H C32	14L C15	14L C32	14P C14	14P C32	19F C14	19F C30	19J C14	19J C30	19P C14	19P C30
GST06...	23		28		32		37							
GST07...	31		36		41		46		48		55			65
GST09...	45		50		55		60		62		69			79

Note additional weights.
Weights in [kg] with oil capacity for mounting position A, all given as approximate values



GST [kg]

GST□□-2S VAR/VBR...RSO B0

	06C C41	06F C41	06I C41	09D C41	09F C38	09H C41	09L C41	12D C20	12D C41	12H C15	12H C30	12H C35	12L C20	12L C41
GST03...	4	5	6											
GST04...	9		10	11	12	13	15							
GST05...	12	13		15	16	17	19	18		22			25	
GST06...	20	21		23	24	25		26		29			32	
GST07...				38	39	40	42	41		44			48	
GST09...								69		72			76	
	14D C15	14D C36	14H C15	14H C32	14L C15	14L C32	14P C14	14P C32	19F C14	19F C30	19J C14	19J C30	19P C14	19P C30
GST06...	31		36		40		45							
GST07...	47		51		56		61		63		70		80	
GST09...	75		79		84		89		91		98		108	
GST11...	121		126		130		135		137		144		154	
GST14...								227		234		244		

GST□□-2S VCR...RSO B0

	06C C41	06F C41	06I C41	09D C41	09F C38	09H C41	09L C41	12D C20	12D C41	12H C15	12H C30	12H C35	12L C20	12L C41
GST03...	4	5												
GST04...	8		9	11	12	13	14							
GST05...	11	12		14		15		17		20			23	
GST06...	18	19		20	21	22	24	23		26			29	
GST07...				34	35	36		37		40			43	
GST09...								61		64			67	
	14D C15	14D C36	14H C15	14H C32	14L C15	14L C32	14P C14	14P C32	19F C14	19F C30	19J C14	19J C30	19P C14	19P C30
GST06...	28		33		38		42							
GST07...	42		47		52		56		59		66		76	
GST09...	66		71		75		80		82		89		99	
GST11...	106		111		115		120		122		129		139	
GST14...								199		206		216		

Note additional weights.

Weights in [kg] with oil capacity for mounting position A, all given as approximate values



GST□□-3S VAR/VBR...RSO B0

	06C C41	06F C41	06I C41	09D C41	09F C38	09H C41	09L C41	12D C20	12D C41	12H C15	12H C30	12H C35	12L C20	12L C41
GST05...	15		16	18		19	21							
GST06...	25		26	28		29	31							
GST07...	43		44	45	46	47	49			52		55		
GST09...	75	76		78	79	80	82	81		84		87		
GST11...				133		134	136			139		142		
GST14...								243		246		249		

	14D C15	14D C36	14H C15	14H C32	14L C15	14L C32	14P C14	14P C32	19F C14	19F C30	19J C14	19J C30	19P C14	19P C30
GST09...	86		91		95		100							
GST11...	141		146		150		155		158		165		175	
GST14...	248		253		257		262		264		271		281	

GST□□-3S VCR...RSO B0

	06C C41	06F C41	06I C41	09D C41	09F C38	09H C41	09L C41	12D C20	12D C41	12H C15	12H C30	12H C35	12L C20	12L C41
GST05...	13		14	16	17	18	20							
GST06...	22		23	25	26	27	28							
GST07...	38	39		41	42	43	45	44		47		51		
GST09...	67		68	69	70	71	73	72		76		79		
GST11...				118	119		121			124		127		
GST14...								215		218		221		

	14D C15	14D C36	14H C15	14H C32	14L C15	14L C32	14P C14	14P C32	19F C14	19F C30	19J C14	19J C30	19P C14	19P C30
GST09...	78		82		87		92							
GST11...	126		131		135		140		143		150		160	
GST14...	220		225		229		234		236		243		253	

Note additional weights.
Weights in [kg] with oil capacity for mounting position A, all given as approximate values



GST [kg]

GST□□-1A VBR...RSO B0

	10I C40 ...S00	13I C41 ...S00	13I C34 ...F10	14L C20 ...S00	14L C41 ...S00	14L C16 ...F10	14L C35 ...F10	17N C23 ...S00	17N C41 ...S00
GST04...	10	15	16						
GST05...	14	18	20	24		26			
GST06...	18	22	24	29		30		36	
GST07...	28	32	33	38		40		45	
GST09...				52		54		60	

	17N C17 ...F10	17N C35 ...F10	19S C23 ...S00	19S C42 ...S00	19S C17 ...F10	19S C35 ...F10	21X C25 ...S00	21X C42 ...S00	21X C17 ...F10	21X C35 ...F10
GST06...	39									
GST07...	48		69		72		86		89	
GST09...	63		83		86		101		104	

GST□□-1A VCR...RSO B0

	10I C40 ...S00	13I C41 ...S00	13I C34 ...F10	14L C20 ...S00	14L C41 ...S00	14L C16 ...F10	14L C35 ...F10	17N C23 ...S00	17N C41 ...S00
GST04...	10	14	16						
GST05...	13	17	19	23		25			
GST06...	17	21	22	27		29		35	
GST07...	25	29	30	35		36		42	
GST09...				48		50		56	

	17N C17 ...F10	17N C35 ...F10	19S C23 ...S00	19S C42 ...S00	19S C17 ...F10	19S C35 ...F10	21X C25 ...S00	21X C42 ...S00	21X C17 ...F10	21X C35 ...F10
GST06...	37									
GST07...	45		66		69		83		86	
GST09...	58		78		82		96		100	

Note additional weights.

Weights in [kg] with oil capacity for mounting position A, all given as approximate values



GST□□-2A VAR/VBR...RSO B0

	10I C40 ...S00	13I C41 ...S00	13I C34 ...F10	14L C20 ...S00	14L C41 ...S00	14L C16 ...F10	14L C35 ...F10	17N C23 ...S00	17N C41 ...S00
GST04...	12	17	18						
GST05...	18	22	23		27		29		
GST06...	25	29	30		35		37		43
GST07...	40	44	46		50		52		58
GST09...					77		79		85
GST11...					123		125		131
GST14...									

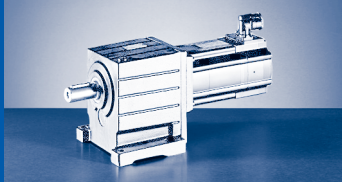
	17N C17 ...F10	17N C35 ...F10	19S C23 ...S00	19S C42 ...S00	19S C17 ...F10	19S C35 ...F10	21X C25 ...S00	21X C42 ...S00	21X C17 ...F10	21X C35 ...F10
GST06...	45									
GST07...	60		81		84		98		101	
GST09...	87		107		111		125		129	
GST11...	133		153		156		170		173	
GST14...			245		248		259		263	

GST□□-2A VCR...RSO B0

	10I C40 ...S00	13I C41 ...S00	13I C34 ...F10	14L C20 ...S00	14L C41 ...S00	14L C16 ...F10	14L C35 ...F10	17N C23 ...S00	17N C41 ...S00
GST04...	12	16	18						
GST05...	16	20	22		26		28		
GST06...	22	26	28		32		34		40
GST07...	36	40	41		45		47		53
GST09...					68		70		76
GST11...					108		110		116
GST14...									

	17N C17 ...F10	17N C35 ...F10	19S C23 ...S00	19S C42 ...S00	19S C17 ...F10	19S C35 ...F10	21X C25 ...S00	21X C42 ...S00	21X C17 ...F10	21X C35 ...F10
GST06...	43									
GST07...	56		77		80		93		97	
GST09...	79		99		102		117		120	
GST11...	118		138		141		155		158	
GST14...			217		220		231		235	

Note additional weights.
Weights in [kg] with oil capacity for mounting position A, all given as approximate values



GST [kg]

GST□□-3A VAR/VBR...RSO B0

	10I C40 ...S00	13I C41 ...S00	13I C34 ...F10	14L C20 ...S00	14L C41 ...S00	14L C16 ...F10	14L C35 ...F10	17N C23 ...S00	17N C41 ...S00
GST05...	18	23	25						
GST06...	28	33	35						
GST07...	48	52	54		58		60		
GST09...	80	84	85		90		92		98
GST11...	134	138	140		144		146		152
GST14...					250		252		258

	17N C17 ...F10	17N C35 ...F10	19S C23 ...S00	19S C42 ...S00	19S C17 ...F10	19S C35 ...F10	21X C25 ...S00	21X C42 ...S00	21X C17 ...F10	21X C35 ...F10
GST09...	100									
GST11...	155		175		179		192		196	
GST14...	261		281		284		299		302	

GST□□-3A VCR...RSO B0

	10I C40 ...S00	13I C41 ...S00	13I C34 ...F10	14L C20 ...S00	14L C41 ...S00	14L C16 ...F10	14L C35 ...F10	17N C23 ...S00	17N C41 ...S00
GST05...	17	21	23						
GST06...	26	30	32						
GST07...	44	48	49		53		55		
GST09...	71	75	77		82		83		89
GST11...	119	123	125		129		131		137
GST14...					222		224		230

	17N C17 ...F10	17N C35 ...F10	19S C23 ...S00	19S C42 ...S00	19S C17 ...F10	19S C35 ...F10	21X C25 ...S00	21X C42 ...S00	21X C17 ...F10	21X C35 ...F10
GST09...	92									
GST11...	140		160		164		177		181	
GST14...	233		253		256		271		274	

Note additional weights.

Weights in [kg] with oil capacity for mounting position A, all given as approximate values



Additional weights MCS servo motors

	06C C41	06F C41	06I C41	09D C41	09F C38	09H C41	09L C41	12D C20	12D C41	12H C15	12H C30	12H C35	12L C20	12L C41
...P1	0.3			0.8			0.9							
...P2				0.5			1.2							
...SCS/SCM/SRM/SRS ...ECN/EQN	0.4			0.2			0.3							

	14D C15	14D C36	14H C15	14H C32	14L C15	14L C32	14P C14	14P C32	19F C14	19F C30	19J C14	19J C30	19P C14	19P C30
...P1	1.9						1.5							
...P2	3.1									4.3				
...SCS/SCM/SRM/SRS ...ECN/EQN							0.3							

Additional weights MCA servo motors

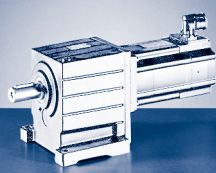
	10I C40 ...S00	13I C41 ...S00	13I C34 ...F10	14L C20 ...S00	14L C41 ...S00	14L C16 ...F10	14L C35 ...F10	17N C23 ...S00	17N C41 ...S00
...P1/P5								2.4	
...P2/P6	0.8	1.4		1.5					
...CDD ...ECN/EQN/EQI ...SCS/SCM/SRM/SRS/S20 ...T20	0.3	0.5		0.6			0.7		

	17N C17 ...F10	17N C35 ...F10	19S C23 ...S00	19S C42 ...S00	19S C17 ...F10	19S C35 ...F10	21X C25 ...S00	21X C42 ...S00	21X C17 ...F10	21X C35 ...F10
...P1/P5	2.4		4.8			5.0				
...P2/P6										
...CDD ...ECN/EQN/EQI ...SCS/SCM/SRM/SRS/S20 ...T20	0.7		1.0			1.1				

Additional weights gearbox

	Flange
	VAL/VCK
GST03...	0.8
GST04...	1.0
GST05...	1.5
GST06...	3.0
GST07...	4.0
GST09...	7.0
GST11...	10.5
GST14...	15.5

Weights in [kg]



GST [i]

► $i_g = z_g / z_t$

	i	z_g	z_t
GST03-2	2.597	896	345
	3.413	1280	375
	4.368	1376	315
	5.312	1344	253
	5.965	1372	230
	6.982	1920	275
	7.840	1960	250
	8.935	2064	231
	10.033	2107	210
	11.429	2640	231
	12.833	2695	210
	14.836	2448	165
	16.660	2499	150
	19.013	2928	154
	21.350	2989	140
	24.595	2976	121
	27.618	3038	110
	32.000	3168	99
	35.933	3234	90
	41.455	4560	110
46.550	4655	100	
52.909	4656	88	
59.413	4753	80	
GST04-1	1.600	40	25
	2.048	43	21
	2.240	56	25
	2.857	60	21
	3.500	63	18
	4.400	66	15
	5.667	68	12
	7.182	79	11
	9.000	81	9
	11.857	83	7
GST04-2	2.956	1330	450
	3.333	1400	420
	4.053	1520	375
	4.571	1600	350
	5.187	1634	315
	5.850	1720	294
	6.400	2240	350
	7.040	1760	250
	8.000	1800	225
	9.010	1892	210
	9.856	2464	250
	11.200	2520	225



▶ $i_g = z_g / z_t$

	i	z_g	z_t
GST04-2	12.571	2640	210
	14.286	2700	189
	15.400	2772	180
	17.500	2835	162
	19.360	2904	150
	22.000	2970	135
	24.933	2992	120
	28.333	3060	108
	31.600	3476	110
	35.909	3555	99
	39.600	3564	90
	45.000	3645	81
	52.171	3652	70
	59.286	3735	63
GST05-1	1.600	40	25
	2.048	43	21
	2.240	56	25
	2.857	60	21
	3.500	63	18
	4.556	82	
	5.667	68	12
	7.333	88	
	8.900	89	10
	11.375	91	8
	GST05-2	2.956	1330
3.333		1400	420
4.053		1520	375
4.571		1600	350
5.187		1634	315
5.850		1720	294
6.400		2240	350
7.238		2280	315
8.163		2400	294
9.010		1892	210
10.000		2520	252
11.200			225
13.016		3280	252
14.356		2584	180
16.190		2720	168
17.500		2835	162
20.044		3608	180
22.778		3690	162
24.933		2992	120
28.333		3060	108
32.267	3872	120	



GST [i]

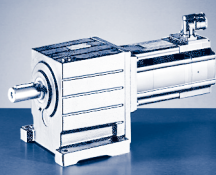
► $i_g = z_g / z_t$

	i	z _g	z _t
GST05-2	36.667	3960	108
	39.160	3916	100
	44.500	4005	90
	50.050	4004	80
	56.875	4095	72
GST05-3	36.267	152320	4200
	46.259	163200	3528
	56.667	171360	3024
	63.467		2700
	71.238	179520	2520
	80.952	183600	2268
	91.746	184960	2016
	99.167	192780	1944
	116.277	214880	1848
	124.667	201960	1620
	145.714	220320	1512
	160.556	208080	1296
	179.067	236368	1320
	191.973	225760	1176
	224.400	242352	1080
	255.000	247860	972
	295.638	248336	840
335.952	253980	756	
GST06-1	1.600	40	25
	2.048	43	21
	2.240	56	25
	2.857	60	21
	3.500	63	18
	4.556	82	
	5.667	68	12
	7.333	88	
	8.900	89	10
	11.250	90	8
GST06-2	3.033	1365	450
	3.333	1400	420
	4.160	1560	375
	4.571	1600	350
	5.324	1677	315
	5.850	1720	294
	6.400	2240	350
	7.040	1760	250
	8.163	2400	294
	9.010	1892	210
	10.000	2520	252
	11.200		225



$$\blacktriangleright i_g = z_g / z_t$$

	i	z_g	z_t
GST06-2	12.571	2640	210
	14.286	2700	189
	15.400	2772	180
	17.500	2835	162
	20.044	3608	180
	22.778	3690	162
	24.933	2992	120
	28.333	3060	108
	32.267	3872	120
	36.667	3960	108
	39.160	3916	100
	44.500	4005	90
	49.500	3960	80
	56.250	4050	72
GST06-3	39.200	158760	4050
	44.000	166320	3780
	51.022	206640	4050
	53.900	174636	3240
	67.760	182952	2700
	70.156	227304	3240
	80.952	183600	2268
	87.267	188496	2160
	99.167	192780	1944
	109.707	197472	1800
	124.667	201960	1620
	141.289	203456	1440
	160.556	208080	1296
	179.067	236368	1320
	203.485	241740	1188
	231.733	305888	1320
	255.000	247860	972
	290.400	313632	1080
	330.000	320760	972
382.590	321376	840	
434.762	328680	756	
GST07-1	1.625	39	24
	2.000	42	21
	2.240	56	25
	2.857	60	21
	3.500	63	18
	4.556	82	
	5.583	67	12
	7.333	88	
	8.900	89	
	11.250	90	8



GST [i]

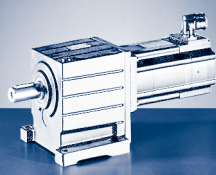
► $i_g = z_g / z_t$

	i	z_g	z_t
GST07-2	3.048	1326	435
	3.350	1360	406
	4.225	1521	360
	4.643	1560	336
	5.200	1638	315
	5.714	1680	294
	6.400	2240	350
	7.150	1716	240
	8.125	1755	216
	8.800	1848	210
	9.856	2464	250
	11.200	2520	225
	12.571	2640	210
	14.286	2700	189
	15.400	2772	180
	17.500	2835	162
	20.044	3608	180
	22.778	3690	162
	24.567	2948	120
	27.917	3015	108
	32.267	3872	120
	36.667	3960	108
	39.160	3916	100
	44.500	4005	90
49.500	3960	80	
56.250	4050	72	
GST07-3	39.200	158760	4050
	44.000	166320	3780
	51.022	206640	4050
	53.900	174636	3240
	65.079	221400	3402
	70.156	227304	3240
	79.762	180900	2268
	85.983	185724	2160
	97.708	189945	1944
	111.915	241736	2160
	127.176	247230	1944
	139.211	200464	1440
	158.194	205020	1296
	180.156	259424	1440
	204.722	265320	1296
	236.622	340736	1440
	248.458	268335	1080
	268.889	348480	1296
	326.333	352440	1080



▶ $i_g = z_g / z_t$

	i	z _g	z _t
GST07-3	367.033	352352	960
	417.083	360360	864
GST09-1	1.560	39	25
	2.048	43	21
	2.333	56	24
	2.810	59	21
	3.444	62	18
	4.667	84	
	5.667	68	12
	7.333	88	
	8.900	89	
	11.250	90	8
GST09-2	4.056	1521	375
	4.457	1560	350
	5.324	1677	315
	5.850	1720	294
	6.667	2240	336
	7.305	2301	315
	8.027	2360	294
	9.010	1892	210
	10.267	2464	240
	11.667	2520	216
	12.362	2596	210
	14.048	2655	189
	15.156	2728	180
	17.222	2790	162
	20.533	3696	180
	23.333	3780	162
	24.933	2992	120
	28.333	3060	108
	32.267	3872	120
	36.667	3960	108
39.160	3916	100	
44.500	4005	90	
49.500	3960	80	
56.250	4050	72	
GST09-3	40.136	159300	3969
	43.267	163548	3780
	49.167	167265	3402
	53.044	171864	3240
	60.278	175770	2916
	71.867	232848	3240
	81.667	238140	2916
	93.541	303072	3240
99.167	192780	1944	



GST [i]

► $i_g = z_g / z_t$

	i	z_g	z_t
GST09-3	113.585	245344	2160
	129.074	250920	1944
	141.289	203456	1440
	160.556	208080	1296
	182.844	263296	1440
	207.778	269280	1296
	236.622	340736	1440
	252.167	272340	1080
	268.889	348480	1296
	326.333	352440	1080
	363.000	348480	960
	412.500	356400	864
GST11-2	4.056	1521	375
	4.457	1560	350
	5.324	1677	315
	5.850	1720	294
	6.400	2240	350
	6.864	1716	250
	7.800	1755	225
	9.010	1892	210
	9.856	2464	250
	11.200	2520	225
	12.571	2640	210
	14.286	2700	189
	15.400	2772	180
	17.500	2835	162
	20.289	3652	180
	23.056	3735	162
	24.933	2992	120
	28.333	3060	108
	32.267	3872	120
	36.667	3960	108
39.160	3916	100	
44.500	4005	90	
49.500	3960	80	
56.250	4050	72	
GST11-3	40.816	162000	3969
	44.000	166320	3780
	50.000	170100	3402
	57.968	219120	3780
	61.250	178605	2916
	71.011	230076	3240
	80.694	235305	2916
	87.267	188496	2160
99.167	192780	1944	



► $i_g = z_g / z_t$

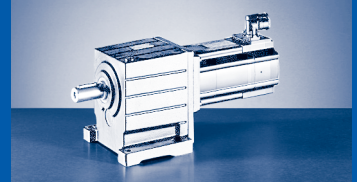
	i	z_g	z_t
GST11-3	112.933	243936	2160
	129.074	250920	1944
	146.993	317504	2160
	158.194	205020	1296
	180.156	259424	1440
	207.778	269280	1296
	236.622	340736	1440
	252.167	272340	1080
	268.889	348480	1296
	326.333	352440	1080
	363.000	348480	960
	412.500	356400	864
GST14-2	4.225	1521	360
	4.643	1560	336
	5.200	1638	315
	5.714	1680	294
	6.286	2200	350
	7.150	1716	240
	8.027	2360	294
	8.800	1848	210
	9.841	2480	252
	11.000	2475	225
	12.362	2596	210
	14.048	2655	189
	15.156	2728	180
	17.222	2790	162
	20.044	3608	180
	22.778	3690	162
	24.567	2948	120
	27.917	3015	108
	32.267	3872	120
	36.667	3960	108
39.160	3916	100	
44.500	4005	90	
49.500	3960	80	
56.250	4050	72	
GST14-3	40.185	156240	3888
	42.580	160952	3780
	48.386	164610	3402
	53.148	206640	3888
	59.321	172980	2916
	69.042	223696	3240
	78.457	228780	2916
	93.541	303072	3240
96.157	186930	1944	



GST [i]

▶ $i_g = z_g / z_t$

	i	z_g	z_t
GST14-3	106.296	309960	2916
	130.278	253260	1944
	139.211	200464	1440
	158.194	205020	1296
	171.111	332640	1944
	204.722	265320	1296
	236.622	340736	1440
	248.458	268335	1080
	268.889	348480	1296
	326.333	352440	1080
	363.000	348480	960
	412.500	356400	864





GST [Nm]

GST□□-□S (MCS)

$M_{2GN} \leq 45 \text{ Nm}$

GST03-2S				06CC41	06FC41	06IC41
				...500	...500	...500
i	M_{2GN}	J_G	M_1			
			n_1	4050	4050	4050
			I_{M230}	2.6	2.9	3.2
			I_{M400}	1.3	1.5	1.6
			P_N	0.25	0.51	0.64
			J_M	0.17	0.25	0.33
2.597	18	0.26	M_2		3	4
			c		4.3	3.4
			$n_{2 \text{ Eck}}$		1559	1559
			$n_{2 \text{ th}}$		1559	1559
3.413	19	0.17	M_2		4	5
			c		3.5	2.8
			$n_{2 \text{ Eck}}$		1187	1187
			$n_{2 \text{ th}}$		1187	1187
4.368	21	0.12	M_2	2	5	6
			c	5.9	3.0	2.4
			$n_{2 \text{ Eck}}$	927	927	927
			$n_{2 \text{ th}}$	927	927	927
5.312	27	0.18	M_2		6	8
			c		3.1	2.5
			$n_{2 \text{ Eck}}$		762	762
			$n_{2 \text{ th}}$		762	740
5.965	29	0.17	M_2	3	7	9
			c	5.9	3.0	2.4
			$n_{2 \text{ Eck}}$	679	679	679
			$n_{2 \text{ th}}$	679	679	653
6.982	30	0.12	M_2	4	8	10
			c	5.2	2.6	2.1
			$n_{2 \text{ Eck}}$	580	580	580
			$n_{2 \text{ th}}$	580	580	580
7.840	32	0.12	M_2	4	9	11
			c	5.0	2.5	2.0
			$n_{2 \text{ Eck}}$	517	517	517
			$n_{2 \text{ th}}$	517	517	517
8.935	33	0.09	M_2	5	10	13
			c	4.5	2.3	1.8
			$n_{2 \text{ Eck}}$	453	453	453
			$n_{2 \text{ th}}$	453	453	453
10.033	35	0.09	M_2	6	12	14
			c	4.3	2.1	1.7
			$n_{2 \text{ Eck}}$	404	404	404
			$n_{2 \text{ th}}$	404	404	404
11.429	35	0.06	M_2	7	13	17
			c	3.8	1.9	1.5
			$n_{2 \text{ Eck}}$	354	354	354
			$n_{2 \text{ th}}$	354	354	354
12.833	38	0.06	M_2	7	15	19
			c	3.6	1.8	1.5
			$n_{2 \text{ Eck}}$	316	316	316
			$n_{2 \text{ th}}$	316	316	316
14.836	39	0.04	M_2	8	17	22
			c	3.2	1.6	1.3
			$n_{2 \text{ Eck}}$	273	273	273
			$n_{2 \text{ th}}$	273	273	273
16.660	41	0.04	M_2	10	19	24
			c	3.5	1.7	1.4
			$n_{2 \text{ Eck}}$	243	243	243
			$n_{2 \text{ th}}$	243	243	243

$M \dots [\text{Nm}]$
 $n \dots [\text{r/min}]$
 $J \dots [\text{kgcm}^2]$

$P \dots [\text{kW}]$
 $I \dots [\text{A}]$
 $i \dots [-]$
 $c \dots [-]$



$M_{2GN} \leq 45 \text{ Nm}$

GST03-2S				06CC41	06FC41	06IC41
				...500	...500	...500
i	M_{2GN}	J_G	M_1			
			n_1	4050	4050	4050
			I_{M230}	2.6	2.9	3.2
			I_{M400}	1.3	1.5	1.6
			P_N	0.25	0.51	0.64
			J_M	0.17	0.25	0.33
19.013	42	0.03	M_2	11	22	28
			c	3.1	1.5	1.2
			n_2 Eck	213	213	213
			n_2 th	213	213	213
21.350	44	0.03	M_2	12	25	31
			c	2.9	1.5	1.2
			n_2 Eck	190	190	190
			n_2 th	190	190	190
24.595	45	0.02	M_2	14	29	36
			c	2.6	1.3	1.0
			n_2 Eck	165	165	165
			n_2 th	165	165	165
27.618	45	0.02	M_2	16	32	
			c	2.3	1.1	
			n_2 Eck	147	147	
			n_2 th	147	147	
32.000	45	0.01	M_2	18		
			c	2.0		
			n_2 Eck	127		
			n_2 th	127		
35.933	45	0.01	M_2	21		
			c	1.8		
			n_2 Eck	113		
			n_2 th	113		

M ... [Nm]
n ... [r/min]
J ... [kgcm²]

P ... [kW]
I ... [A]
i [-]
c [-]



GST [Nm]

GST□□-□S (MCS)

$M_{2GN} \leq 25 \text{ Nm}$

GST04-1S				06CC41	06FC41	06IC41	09DC41	09FC38	09HC41	09LC41
				...500	...500	...500	...500	...500	...500	...500
i	M_{2GN}	J_G	M_1	0.60	1.20	1.50	2.30	3.10	3.80	4.50
			n_1	4050	4050	4050	4050	3750	4050	4050
			I_{M230}	2.6	2.9	3.2	4.6	5.0	6.8	8.4
			I_{M400}	1.3	1.5	1.6	2.3	2.5	3.4	4.2
			P_N	0.25	0.51	0.64	1.00	1.20	1.60	1.90
			J_M	0.17	0.25	0.33	1.13	1.53	1.93	2.83
1.600	19	0.27	M_2			2	4	5	6	7
			c			5.8	3.8	2.9	2.3	1.9
			$n_{2 \text{ Eck}}$			2531	2531	2344	2531	2531
			$n_{2 \text{ th}}$			2531	2380	2271	2179	2104
2.048	23	0.19	M_2			3	5	6	8	9
			c			5.4	3.5	2.7	2.1	1.8
			$n_{2 \text{ Eck}}$			1978	1978	1831	1978	1978
			$n_{2 \text{ th}}$			1978	1978	1831	1978	1867
2.240	25	0.17	M_2			3	5	7	8	10
			c			5.4	3.5	2.7	2.1	1.8
			$n_{2 \text{ Eck}}$			1808	1808	1674	1808	1808
			$n_{2 \text{ th}}$			1808	1808	1674	1808	1770
2.857	25	0.13	M_2		3	4	6	9	11	13
			c		5.3	4.3	2.8	2.1	1.7	1.4
			$n_{2 \text{ Eck}}$		1418	1418	1418	1313	1418	1418
			$n_{2 \text{ th}}$		1418	1418	1418	1313	1418	1418
3.500	25	0.10	M_2		4	5	8	11	13	15
			c		4.3	3.5	2.3	1.7	1.4	1.2
			$n_{2 \text{ Eck}}$		1157	1157	1157	1071	1157	1157
			$n_{2 \text{ th}}$		1157	1157	1157	1071	1157	1157
4.400	25	0.07	M_2		5	6				
			c		3.5	2.8				
			$n_{2 \text{ Eck}}$		921	921				
			$n_{2 \text{ th}}$		920	920				
5.667	25	0.05	M_2	3	7	8				
			c	5.4	2.7	2.1				
			$n_{2 \text{ Eck}}$	715	715	715				
			$n_{2 \text{ th}}$	715	715	715				

$M \dots$ [Nm]
 $n \dots$ [r/min]
 $J \dots$ [kgcm²]

$P \dots$ [kW]
 $I \dots$ [A]
 $i \dots$ [-]
 $c \dots$ [-]



$M_{2GN} \leq 71 \text{ Nm}$

GST04-2S				06CC41	06FC41	06IC41	09DC41	09FC38	09HC41	09LC41
				...500	...500	...500	...500	...500	...500	...500
i	M_{2GN}	J_G	M_1	0.60	1.20	1.50	2.30	3.10	3.80	4.50
			n_1	4050	4050	4050	4050	3750	4050	4050
			I_{M230}	2.6	2.9	3.2	4.6	5.0	6.8	8.4
			I_{M400}	1.3	1.5	1.6	2.3	2.5	3.4	4.2
			P_N	0.25	0.51	0.64	1.00	1.20	1.60	1.90
			J_M	0.17	0.25	0.33	1.13	1.53	1.93	2.83
2.956	39	0.34	M_2				6	9	11	13
			c				4.3	3.2	2.6	2.2
			$n_{2 \text{ Eck}}$				1370	1269	1370	1370
			$n_{2 \text{ th}}$				1186	1127	1077	1041
3.333	42	0.32	M_2				7	10	12	14
			c				4.0	3.1	2.4	2.1
			$n_{2 \text{ Eck}}$				1215	1125	1215	1215
			$n_{2 \text{ th}}$				1041	989	945	912
4.053	45	0.31	M_2			6	9	12	15	18
			c			5.5	3.6	2.7	2.2	1.8
			$n_{2 \text{ Eck}}$			999	999	925	999	999
			$n_{2 \text{ th}}$			997	930	887	850	805
4.571	48	0.30	M_2			6	10	14	17	20
			c			5.2	3.4	2.6	2.0	1.7
			$n_{2 \text{ Eck}}$			886	886	820	886	886
			$n_{2 \text{ th}}$			876	816	778	746	694
5.187	50	0.22	M_2		6	7	11	15	19	23
			c		6.0	4.8	3.1	2.4	1.9	1.6
			$n_{2 \text{ Eck}}$		781	781	781	723	781	781
			$n_{2 \text{ th}}$		781	781	781	723	753	689
5.850	53	0.22	M_2		7	8	13	17	21	25
			c		5.6	4.5	2.9	2.2	1.8	1.5
			$n_{2 \text{ Eck}}$		692	692	692	641	692	692
			$n_{2 \text{ th}}$		692	692	692	641	648	594
6.400	55	0.19	M_2		7	9	14	19	23	28
			c		5.3	4.3	2.8	2.1	1.7	1.4
			$n_{2 \text{ Eck}}$		633	633	633	586	633	633
			$n_{2 \text{ th}}$		633	633	633	586	600	553
7.040	57	0.26	M_2		8	10	15	21	26	31
			c		5.0	4.0	2.6	2.0	1.6	1.3
			$n_{2 \text{ Eck}}$		575	575	575	533	575	575
			$n_{2 \text{ th}}$		565	545	506	482	431	400
8.000	59	0.26	M_2		9	11	18	24	29	35
			c		4.5	3.6	2.4	1.8	1.4	1.2
			$n_{2 \text{ Eck}}$		506	506	506	469	506	506
			$n_{2 \text{ th}}$		490	472	438	405	364	339
9.010	63	0.19	M_2		10	13	20	27	33	39
			c		4.3	3.4	2.2	1.7	1.4	1.1
			$n_{2 \text{ Eck}}$		450	450	450	416	450	450
			$n_{2 \text{ th}}$		450	450	450	412	368	341
9.856	65	0.17	M_2		11	14	22	29	36	43
			c		4.1	3.2	2.1	1.6	1.3	1.1
			$n_{2 \text{ Eck}}$		411	411	411	381	411	411
			$n_{2 \text{ th}}$		411	411	411	380	344	321
11.200	60	0.17	M_2		13	16	25	34	41	
			c		3.3	2.6	1.7	1.3	1.0	
			$n_{2 \text{ Eck}}$		362	362	362	335	362	
			$n_{2 \text{ th}}$		362	362	348	306	278	
12.571	69	0.13	M_2		14	18	28	38	46	
			c		3.4	2.7	1.8	1.4	1.1	
			$n_{2 \text{ Eck}}$		322	322	322	298	322	
			$n_{2 \text{ th}}$		322	322	322	298	291	

$M \dots$ [Nm]
 $n \dots$ [r/min]
 $J \dots$ [kgcm²]

$P \dots$ [kW]
 $I \dots$ [A]
 i [-]
 c [-]



GST [Nm]

GST□□-□S (MCS)

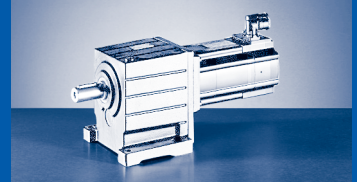
$M_{2GN} \leq 71 \text{ Nm}$

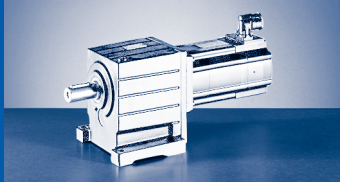
GST04-2S				06CC41	06FC41	06IC41	09DC41	09FC38	09HC41	09LC41
				...500	...500	...500	...500	...500	...500	...500
i	M_{2GN}	J_G	M_1							
			n_1	4050	4050	4050	4050	3750	4050	4050
			I_{M230}	2.6	2.9	3.2	4.6	5.0	6.8	8.4
			I_{M400}	1.3	1.5	1.6	2.3	2.5	3.4	4.2
			P_N	0.25	0.51	0.64	1.00	1.20	1.60	1.90
			J_M	0.17	0.25	0.33	1.13	1.53	1.93	2.83
14.286	61	0.12	M_2	8	16	21	32	43		
			c	5.3	2.6	2.1	1.4	1.0		
			n_2 Eck	284	284	284	284	263		
			n_2 th	284	284	284	280	254		
15.400	70	0.10	M_2		18	22	34	46	57	
			c		3.2	2.5	1.7	1.3	1.0	
			n_2 Eck		263	263	263	244	263	
			n_2 th		263	263	263	244	263	
17.500	62	0.10	M_2	10	20	25	39			
			c	4.9	2.5	2.0	1.3			
			n_2 Eck	231	231	231	231			
			n_2 th	231	231	231	231			
19.360	70	0.06	M_2	11	22	28				
			c	5.1	2.6	2.0				
			n_2 Eck	209	209	209				
			n_2 th	209	209	209				
22.000	62	0.06	M_2	12	25	32				
			c	4.0	2.0	1.6				
			n_2 Eck	184	184	184				
			n_2 th	184	184	184				
24.933	71	0.04	M_2	14	29	36				
			c	4.0	2.0	1.6				
			n_2 Eck	162	162	162				
			n_2 th	162	162	162				
28.333	63	0.04	M_2	16	33	41				
			c	3.1	1.6	1.3				
			n_2 Eck	143	143	143				
			n_2 th	143	143	143				

$M \dots$ [Nm]
 $n \dots$ [r/min]
 $J \dots$ [kgcm²]

$P \dots$ [kW]
 $I \dots$ [A]
 i [-]
 c [-]

GST [Nm]
GST□□-□S (MCS)





GST [Nm]

GST□□-□S (MCS)

$M_{2GN} \leq 54 \text{ Nm}$

GST05-1S				06CC41	06FC41	06IC41	09DC41	09FC38	09HC41	09LC41
				...500	...500	...500	...500	...500	...500	...500
i	M_{2GN}	J_G	M_1	0.60	1.20	1.50	2.30	3.10	3.80	4.50
			n_1	4050	4050	4050	4050	3750	4050	4050
			I_{M230}	2.6	2.9	3.2	4.6	5.0	6.8	8.4
			I_{M400}	1.3	1.5	1.6	2.3	2.5	3.4	4.2
			P_N	0.25	0.51	0.64	1.00	1.20	1.60	1.90
			J_M	0.17	0.25	0.33	1.13	1.53	1.93	2.83
1.600	45	0.76	M_2						6	7
			c					5.4	4.5	
			$n_{2 \text{ Eck}}$					2531	2531	
			$n_{2 \text{ th}}$					2236	2168	
2.048	51	0.55	M_2					6	7	9
			c					6.0	4.8	4.0
			$n_{2 \text{ Eck}}$					1831	1978	1978
			$n_{2 \text{ th}}$					1831	1862	1809
2.048	53	0.55	M_2							
			c							
			$n_{2 \text{ Eck}}$							
			$n_{2 \text{ th}}$							
2.240	53	0.48	M_2					7	8	10
			c					5.7	4.5	3.8
			$n_{2 \text{ Eck}}$					1674	1808	1808
			$n_{2 \text{ th}}$					1674	1748	1699
2.857	53	0.35	M_2				6	8	10	12
			c				5.9	4.5	3.6	3.0
			$n_{2 \text{ Eck}}$				1418	1313	1418	1418
			$n_{2 \text{ th}}$				1418	1313	1418	1418
3.500	41	0.27	M_2			5				
			c			5.7				
			$n_{2 \text{ Eck}}$			1157				
			$n_{2 \text{ th}}$			1157				
3.500	54	0.27	M_2				8	10	13	15
			c				4.9	3.7	3.0	2.5
			$n_{2 \text{ Eck}}$				1157	1071	1157	1157
			$n_{2 \text{ th}}$				1157	1071	1157	1157
4.556	42	0.18	M_2		5	7				
			c		5.7	4.5				
			$n_{2 \text{ Eck}}$		889	889				
			$n_{2 \text{ th}}$		889	889				
4.556	54	0.18	M_2				10	14	17	20
			c				3.8	2.9	2.3	1.9
			$n_{2 \text{ Eck}}$				889	823	889	889
			$n_{2 \text{ th}}$				889	823	889	889
5.667	44	0.13	M_2		6	8				
			c		4.7	3.8				
			$n_{2 \text{ Eck}}$		715	715				
			$n_{2 \text{ th}}$		715	715				
5.667	54	0.13	M_2				13	17	21	25
			c				3.0	2.3	1.8	1.5
			$n_{2 \text{ Eck}}$				715	662	715	715
			$n_{2 \text{ th}}$				715	662	715	715
7.333	46	0.06	M_2		8	11				
			c		3.8	3.0				
			$n_{2 \text{ Eck}}$		552	552				
			$n_{2 \text{ th}}$		552	552				
8.900	42	0.06	M_2	5	10	13				
			c	5.8	2.9	2.3				
			$n_{2 \text{ Eck}}$	455	455	455				
			$n_{2 \text{ th}}$	455	455	455				

$M \dots$ [Nm]
 $n \dots$ [r/min]
 $J \dots$ [kgcm²]

$P \dots$ [kW]
 $I \dots$ [A]
 $i \dots$ [-]
 $c \dots$ [-]



$M_{2GN} \leq 54 \text{ Nm}$

12DC20	12DC41	12HC15	12HC30	12HC35	12LC20	12LC41	GST05-1S			
...500	...500	...500	...500	...500	...500	...500	M_1	J_G	M_{2GN}	i
5.50	4.30	10.00	8.00	7.50	13.50	11.00	n_1			
1950	4050	1500	3000	3525	1950	4050	I_{M230}			
5.2	8.8	7.6	10.5		11.8		I_{M400}			
2.6	4.5	3.8		5.7	5.9	10.2	P_N			
1.10	1.80	1.60	2.50	2.80	2.80	4.70	J_M			
4.12	4.12	7.42	7.42	7.42	10.72	10.72	M_2			
8	7	15	12	12	21	17	c	0.76	45	1.600
4.7	4.7	2.8	2.8	2.8	1.9	1.9	$n_{2 \text{ Eck}}$			
1219	2531	938	1875	2203	1219	2531	$n_{2 \text{ th}}$			
1219	2186	938	1875	1982	1219	1771	M_2			
							c	0.55	51	2.048
							$n_{2 \text{ Eck}}$			
							$n_{2 \text{ th}}$			
11	8	20	16	15	27	22	M_2			
4.3	4.4	2.6	2.6	2.6	1.8	1.7	c	0.55	53	2.048
952	1978	733	1465	1722	952	1978	$n_{2 \text{ Eck}}$			
952	1834	733	1465	1674	952	1470	$n_{2 \text{ th}}$			
12	9	22	17	16	30	24	M_2			
4.0	4.0	2.4	2.4	2.4	1.6	1.6	c	0.48	53	2.240
871	1808	670	1339	1574	871	1808	$n_{2 \text{ Eck}}$			
871	1712	670	1339	1567	871	1351	$n_{2 \text{ th}}$			
15	12	28	22	21	38	31	M_2			
3.1	3.2	1.9	1.9	1.9	1.3	1.2	c	0.35	53	2.857
683	1418	525	1050	1234	683	1418	$n_{2 \text{ Eck}}$			
683	1418	525	1050	1234	683	1120	$n_{2 \text{ th}}$			
							M_2			
							c	0.27	41	3.500
							$n_{2 \text{ Eck}}$			
							$n_{2 \text{ th}}$			
19	15	34	27	26	47	38	M_2			
2.6	2.6	1.6	1.6	1.6	1.1	1.0	c	0.27	54	3.500
557	1157	429	857	1007	557	1157	$n_{2 \text{ Eck}}$			
557	1157	429	857	1007	557	969	$n_{2 \text{ th}}$			
							M_2			
							c	0.18	42	4.556
							$n_{2 \text{ Eck}}$			
							$n_{2 \text{ th}}$			
							M_2			
							c	0.18	54	4.556
							$n_{2 \text{ Eck}}$			
							$n_{2 \text{ th}}$			
							M_2			
							c	0.13	44	5.667
							$n_{2 \text{ Eck}}$			
							$n_{2 \text{ th}}$			
							M_2			
							c	0.13	54	5.667
							$n_{2 \text{ Eck}}$			
							$n_{2 \text{ th}}$			
							M_2			
							c	0.06	46	7.333
							$n_{2 \text{ Eck}}$			
							$n_{2 \text{ th}}$			
							M_2			
							c	0.06	42	8.900
							$n_{2 \text{ Eck}}$			
							$n_{2 \text{ th}}$			

M ... [Nm]
n ... [r/min]
J ... [kgcm²]

P ... [kW]
I ... [A]
i [-]
c [-]



GST [Nm]

GST□□-□S (MCS)

$M_{2GN} \leq 165 \text{ Nm}$

GST05-2S				06CC41	06FC41	06IC41	09DC41	09FC38	09HC41	09LC41
				...500	...500	...500	...500	...500	...500	...500
i	M_{2GN}	J_G	M_1	0.60	1.20	1.50	2.30	3.10	3.80	4.50
			n_1	4050	4050	4050	4050	3750	4050	4050
			I_{M230}	2.6	2.9	3.2	4.6	5.0	6.8	8.4
			I_{M400}	1.3	1.5	1.6	2.3	2.5	3.4	4.2
			P_N	0.25	0.51	0.64	1.00	1.20	1.60	1.90
			J_M	0.17	0.25	0.33	1.13	1.53	1.93	2.83
2.956	63	0.99	M_2					9	11	13
			c				5.2	4.2	3.5	
			$n_{2 \text{ Eck}}$				1269	1370	1370	
			$n_{2 \text{ th}}$				1029	985	953	
3.333	78	0.94	M_2					10	12	14
			c				5.7	4.6	3.9	
			$n_{2 \text{ Eck}}$				1125	1215	1215	
			$n_{2 \text{ th}}$				928	889	860	
4.053	81	0.90	M_2					12	14	17
			c				4.9	3.9	3.3	
			$n_{2 \text{ Eck}}$				925	999	999	
			$n_{2 \text{ th}}$				869	832	806	
4.571	91	0.86	M_2					13	16	19
			c				4.9	3.9	3.3	
			$n_{2 \text{ Eck}}$				820	886	886	
			$n_{2 \text{ th}}$				770	738	714	
5.187	90	0.64	M_2			11	15	19	22	
			c			5.6	4.3	3.4	2.9	
			$n_{2 \text{ Eck}}$			781	723	781	781	
			$n_{2 \text{ th}}$			755	721	693	672	
5.850	101	0.61	M_2			12	17	21	25	
			c			5.6	4.2	3.4	2.9	
			$n_{2 \text{ Eck}}$			692	641	692	692	
			$n_{2 \text{ th}}$			669	639	614	596	
6.400	105	0.53	M_2			14	19	23	27	
			c			5.3	4.0	3.2	2.7	
			$n_{2 \text{ Eck}}$			633	586	633	633	
			$n_{2 \text{ th}}$			627	586	576	559	
7.238	108	0.40	M_2			16	21	26	31	
			c			4.8	3.7	2.9	2.5	
			$n_{2 \text{ Eck}}$			560	518	560	560	
			$n_{2 \text{ th}}$			560	518	560	560	
8.163	115	0.39	M_2			18	24	30	35	
			c			4.5	3.5	2.8	2.3	
			$n_{2 \text{ Eck}}$			496	459	496	496	
			$n_{2 \text{ th}}$			496	459	496	496	
9.010	119	0.54	M_2			19	26	33	39	
			c			4.2	3.2	2.6	2.2	
			$n_{2 \text{ Eck}}$			450	416	450	450	
			$n_{2 \text{ th}}$			415	396	379	367	
10.000	114	0.30	M_2		14					
			c		5.7					
			$n_{2 \text{ Eck}}$		405					
			$n_{2 \text{ th}}$		405					
10.000	124	0.30	M_2			22	29	36	43	
			c			4.0	3.0	2.4	2.0	
			$n_{2 \text{ Eck}}$			405	375	405	405	
			$n_{2 \text{ th}}$			405	375	405	405	
11.200	128	0.46	M_2		16	24	33	41	48	
			c		5.6	3.7	2.8	2.2	1.9	
			$n_{2 \text{ Eck}}$		362	362	335	362	362	
			$n_{2 \text{ th}}$		362	337	322	309	294	

$M \dots$ [Nm]
 $n \dots$ [r/min]
 $J \dots$ [kgcm²]

$P \dots$ [kW]
 $I \dots$ [A]
 i [-]
 c [-]



$M_{2GN} \leq 165 \text{ Nm}$

12DC20	12DC41	12HC15	12HC30	12HC35	12LC20	12LC41	GST05-2S			
...500	...500	...500	...500	...500	...500	...500	M_1	J_G	M_{2GN}	i
5.50	4.30	10.00	8.00	7.50	13.50	11.00	n_1			
1950	4050	1500	3000	3525	1950	4050	I_{M230}			
5.2	8.8	7.6	10.5		11.8		I_{M400}			
2.6	4.5	3.8		5.7	5.9	10.2	P_N			
1.10	1.80	1.60	2.50	2.80	2.80	4.70	J_M			
4.12	4.12	7.42	7.42	7.42	10.72	10.72	M_2			
15	12	28	23	21	39	31	c	0.99	63	2.956
3.7	3.7	2.2	2.2	2.2	1.5	1.4	$n_{2 \text{ Eck}}$			
660	1370	508	1015	1193	660	1370	$n_{2 \text{ th}}$			
660	961	508	861	863	660	708	M_2			
17	13	32	26	24	43	35	c	0.94	78	3.333
4.0	4.0	2.4	2.4	2.4	1.6	1.6	$n_{2 \text{ Eck}}$			
585	1215	450	900	1058	585	1215	$n_{2 \text{ th}}$			
585	868	450	779	781	585	659	M_2			
21	16	39	31	29	53	43	c	0.90	81	4.053
3.4	3.5	2.1	2.1	2.1	1.4	1.4	$n_{2 \text{ Eck}}$			
481	999	370	740	870	481	999	$n_{2 \text{ th}}$			
481	813	370	731	732	481	589	M_2			
24	19	44	35	33	60	49	c	0.86	91	4.571
3.4	3.4	2.1	2.0	2.1	1.4	1.3	$n_{2 \text{ Eck}}$			
427	886	328	656	771	427	886	$n_{2 \text{ th}}$			
427	720	328	647	649	427	521	M_2			
27	21	50	40	37	68	55	c	0.64	90	5.187
3.0	3.0	1.8	1.8	1.8	1.2	1.2	$n_{2 \text{ Eck}}$			
376	781	289	578	680	376	781	$n_{2 \text{ th}}$			
376	677	289	578	596	376	489	M_2			
31	24	56	45	42	76	62	c	0.61	101	5.850
3.0	3.0	1.8	1.8	1.8	1.2	1.2	$n_{2 \text{ Eck}}$			
333	692	256	513	603	333	692	$n_{2 \text{ th}}$			
333	601	256	513	528	333	433	M_2			
34	26	62	49	46	84	68	c	0.53	105	6.400
2.8	2.8	1.7	1.7	1.7	1.2	1.1	$n_{2 \text{ Eck}}$			
305	633	234	469	551	305	633	$n_{2 \text{ th}}$			
305	564	234	469	490	305	408	M_2			
38	30	70	56	52	95	77	c	0.40	108	7.238
2.6	2.6	1.5	1.5	1.6	1.1	1.0	$n_{2 \text{ Eck}}$			
269	560	207	415	487	269	560	$n_{2 \text{ th}}$			
269	560	207	414	487	269	407	M_2			
43	34	79	63	59			c	0.39	115	8.163
2.4	2.4	1.5	1.4	1.5			$n_{2 \text{ Eck}}$			
239	496	184	368	432			$n_{2 \text{ th}}$			
239	496	184	368	424			M_2			
47	37	87	70	65			c	0.54	119	9.010
2.3	2.3	1.4	1.4	1.4			$n_{2 \text{ Eck}}$			
216	450	167	333	391			$n_{2 \text{ th}}$			
216	371	166	300	301			M_2			
							c	0.30	114	10.000
							$n_{2 \text{ Eck}}$			
							$n_{2 \text{ th}}$			
53	41	97	77	73			M_2			
2.1	2.1	1.3	1.3	1.3			c	0.30	124	10.000
195	405	150	300	353			$n_{2 \text{ Eck}}$			
195	405	150	300	353			$n_{2 \text{ th}}$			
59	46	108	87	81			M_2			
2.0	2.0	1.2	1.2	1.2			c	0.46	128	11.200
174	362	134	268	315			$n_{2 \text{ Eck}}$			
174	301	134	238	239			$n_{2 \text{ th}}$			

M ... [Nm]
n ... [r/min]
J ... [kgcm²]

P ... [kW]
I ... [A]
i [-]
c [-]



GST [Nm]

GST□□-□S (MCS)

$M_{2GN} \leq 165 \text{ Nm}$

GST05-2S				06CC41	06FC41	06IC41	09DC41	09FC38	09HC41	09LC41
				...500	...500	...500	...500	...500	...500	...500
i	M_{2GN}	J_G	M_1	0.60	1.20	1.50	2.30	3.10	3.80	4.50
			n_1	4050	4050	4050	4050	3750	4050	4050
			I_{M230}	2.6	2.9	3.2	4.6	5.0	6.8	8.4
			I_{M400}	1.3	1.5	1.6	2.3	2.5	3.4	4.2
			P_N	0.25	0.51	0.64	1.00	1.20	1.60	1.90
			J_M	0.17	0.25	0.33	1.13	1.53	1.93	2.83
13.016	119	0.18	M_2		14	18				
			c		5.7	4.5				
			$n_{2 \text{ Eck}}$		311	311				
			$n_{2 \text{ th}}$		311	311				
13.016	137	0.18	M_2				28	39	47	56
			c				3.4	2.6	2.1	1.7
			$n_{2 \text{ Eck}}$				311	288	311	311
			$n_{2 \text{ th}}$				311	288	311	311
14.356	110	0.13	M_2		16	20				
			c		4.7	3.8				
			$n_{2 \text{ Eck}}$		282	282				
			$n_{2 \text{ th}}$		282	282				
14.356	140	0.13	M_2				31	43	52	62
			c				3.1	2.4	1.9	1.6
			$n_{2 \text{ Eck}}$				282	261	282	282
			$n_{2 \text{ th}}$				282	261	282	282
16.190	124	0.13	M_2		18	23				
			c		5.4	4.3				
			$n_{2 \text{ Eck}}$		250	250				
			$n_{2 \text{ th}}$		250	250				
16.190	148	0.13	M_2				35	48	59	70
			c				3.4	2.6	2.0	1.7
			$n_{2 \text{ Eck}}$				250	232	250	250
			$n_{2 \text{ th}}$				250	232	250	250
17.500	142	0.27	M_2		19	25	38	52	64	76
			c		5.7	4.6	3.0	2.3	1.8	1.5
			$n_{2 \text{ Eck}}$		231	231	231	214	231	231
			$n_{2 \text{ th}}$		231	231	231	214	231	226
20.044	159	0.16	M_2		22	28	44	60	73	87
			c		5.6	4.5	2.9	2.2	1.8	1.5
			$n_{2 \text{ Eck}}$		202	202	202	187	202	202
			$n_{2 \text{ th}}$		202	202	202	187	202	202
22.778	144	0.16	M_2		26	32	50	68	84	99
			c		4.4	3.5	2.3	1.8	1.4	1.2
			$n_{2 \text{ Eck}}$		178	178	178	165	178	178
			$n_{2 \text{ th}}$		178	178	178	165	178	178
24.933	162	0.12	M_2		28	35	55	74	92	109
			c		4.6	3.6	2.4	1.8	1.4	1.2
			$n_{2 \text{ Eck}}$		162	162	162	150	162	162
			$n_{2 \text{ th}}$		162	162	162	150	162	162
28.333	147	0.12	M_2		32	40	63	85	104	
			c		3.6	2.9	1.9	1.4	1.2	
			$n_{2 \text{ Eck}}$		143	143	143	132	143	
			$n_{2 \text{ th}}$		143	143	143	132	143	
32.267	164	0.08	M_2		37	46				
			c		3.6	2.9				
			$n_{2 \text{ Eck}}$		126	126				
			$n_{2 \text{ th}}$		126	126				
36.667	148	0.08	M_2	20	42	53				
			c	5.7	2.8	2.3				
			$n_{2 \text{ Eck}}$	111	111	111				
			$n_{2 \text{ th}}$	110	110	110				

M ... [Nm]
 n ... [r/min]
 J ... [kgcm²]

P ... [kW]
 I ... [A]
 i [-]
 c [-]



$M_{2GN} \leq 165 \text{ Nm}$

12DC20	12DC41	12HC15	12HC30	12HC35	12LC20	12LC41	GST05-2S			
...500	...500	...500	...500	...500	...500	...500	M_1	J_G	M_{2GN}	i
5.50	4.30	10.00	8.00	7.50	13.50	11.00	n_1			
1950	4050	1500	3000	3525	1950	4050	I_{M230}			
5.2	8.8	7.6	10.5		11.8		I_{M400}			
2.6	4.5	3.8		5.7	5.9	10.2	P_N			
1.10	1.80	1.60	2.50	2.80	2.80	4.70	J_M			
4.12	4.12	7.42	7.42	7.42	10.72	10.72	M_2 c	0.18	119	13.016
							n_2 Eck			
							n_2 th			
							M_2 c	0.18	137	13.016
							n_2 Eck			
							n_2 th			
							M_2 c	0.13	110	14.356
							n_2 Eck			
							n_2 th			
							M_2 c	0.13	140	14.356
							n_2 Eck			
							n_2 th			
							M_2 c	0.13	124	16.190
							n_2 Eck			
							n_2 th			
							M_2 c	0.13	148	16.190
							n_2 Eck			
							n_2 th			
93	73						M_2 c	0.27	142	17.500
1.5	1.6						n_2 Eck			
111	231						n_2 th			
111	231						M_2 c	0.16	159	20.044
							n_2 Eck			
							n_2 th			
							M_2 c	0.16	144	22.778
							n_2 Eck			
							n_2 th			
							M_2 c	0.12	162	24.933
							n_2 Eck			
							n_2 th			
							M_2 c	0.12	147	28.333
							n_2 Eck			
							n_2 th			
							M_2 c	0.08	164	32.267
							n_2 Eck			
							n_2 th			
							M_2 c	0.08	148	36.667
							n_2 Eck			
							n_2 th			

M ... [Nm]
n ... [r/min]
J ... [kgcm²]

P ... [kW]
I ... [A]
i [-]
c [-]



GST [Nm]

GST□□-□S (MCS)

$M_{2GN} \leq 165 \text{ Nm}$

GST05-2S				06CC41	06FC41	06IC41	09DC41	09FC38	09HC41	09LC41
				...S00	...S00	...S00	...S00	...S00	...S00	...S00
i	M_{2GN}	J_G	M_1	0.60	1.20	1.50	2.30	3.10	3.80	4.50
			n_1	4050	4050	4050	4050	3750	4050	4050
			I_{M230}	2.6	2.9	3.2	4.6	5.0	6.8	8.4
			I_{M400}	1.3	1.5	1.6	2.3	2.5	3.4	4.2
			P_N	0.25	0.51	0.64	1.00	1.20	1.60	1.90
			J_M	0.17	0.25	0.33	1.13	1.53	1.93	2.83
39.160	165	0.06	M_2	22	45	56				
			c	5.9	3.0	2.4				
			$n_{2 \text{ Eck}}$	103	103	103				
			$n_{2 \text{ th}}$	103	103	103				
44.500	149	0.06	M_2	25	51	64				
			c	5.2	2.6	2.1				
			$n_{2 \text{ Eck}}$	91	91	91				
			$n_{2 \text{ th}}$	91	91	91				

M ... [Nm]
 n ... [r/min]
 J ... [kgcm²]

P ... [kW]
 I ... [A]
 i [-]
 c [-]



$M_{2GN} \leq 165 \text{ Nm}$

12DC20	12DC41	12HC15	12HC30	12HC35	12LC20	12LC41	GST05-2S			
...500	...500	...500	...500	...500	...500	...500	M_1	J_G	M_{2GN}	i
5.50	4.30	10.00	8.00	7.50	13.50	11.00	n_1			
1950	4050	1500	3000	3525	1950	4050	I_{M230}			
5.2	8.8	7.6	10.5		11.8		I_{M400}			
2.6	4.5	3.8		5.7	5.9	10.2	P_N			
1.10	1.80	1.60	2.50	2.80	2.80	4.70	J_M			
4.12	4.12	7.42	7.42	7.42	10.72	10.72	M_2			
							c			
							$n_{2 \text{ Eck}}$	0.06	165	39.160
							$n_{2 \text{ th}}$			
							M_2			
							c			
							$n_{2 \text{ Eck}}$	0.06	149	44.500
							$n_{2 \text{ th}}$			

M ... [Nm]
n ... [r/min]
J ... [kgcm²]

P ... [kW]
I ... [A]
i [-]
c [-]



GST [Nm]

GST□□-□S (MCS)

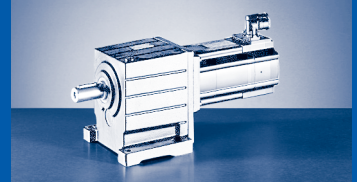
$M_{2GN} \leq 171 \text{ Nm}$

GST05-3S				06CC41	06FC41	06IC41	09DC41	09FC38
				...500	...500	...500	...500	...500
i	M_{2GN}	J_G	M_1					
			n_1	4050	4050	4050	4050	3750
			I_{M230}	2.6	2.9	3.2	4.6	5.0
			I_{M400}	1.3	1.5	1.6	2.3	2.5
			P_N	0.25	0.51	0.64	1.00	1.20
			J_M	0.17	0.25	0.33	1.13	1.53
36.267	134	0.20	M_2	20	41	51	79	107
			c	5.3	2.6	2.1	1.4	1.1
			n_2 Eck	112	112	112	112	103
			n_2 th	112	112	112	112	103
46.259	145	0.14	M_2	25	52	66	101	
			c	5.0	2.5	2.0	1.3	
			n_2 Eck	88	88	88	88	
			n_2 th	88	88	88	88	
56.667	155	0.11	M_2	31	64	81	124	
			c	4.3	2.2	1.7	1.1	
			n_2 Eck	72	72	72	72	
			n_2 th	71	71	71	71	
63.467	146	0.19	M_2	35	72	91		
			c	3.6	1.8	1.5		
			n_2 Eck	64	64	64		
			n_2 th	64	64	64		
71.238	167	0.07	M_2	40	81	102		
			c	3.7	1.9	1.5		
			n_2 Eck	57	57	57		
			n_2 th	57	57	57		
80.952	147	0.14	M_2	46	92	116		
			c	2.9	1.4	1.2		
			n_2 Eck	50	50	50		
			n_2 th	50	50	50		
91.746	171	0.05	M_2	52	105	131		
			c	2.9	1.5	1.2		
			n_2 Eck	44	44	44		
			n_2 th	44	44	44		
99.167	148	0.11	M_2	56	114			
			c	2.4	1.2			
			n_2 Eck	41	41			
			n_2 th	41	41			
124.667	149	0.07	M_2	71				
			c	1.9				
			n_2 Eck	33				
			n_2 th	32				
160.556	150	0.05	M_2	92				
			c	1.5				
			n_2 Eck	25				
			n_2 th	25				

M ... [Nm]
 n ... [r/min]
 J ... [kgcm²]

P ... [kW]
 I ... [A]
 i [-]
 c [-]

GST [Nm]
GST□□-□S (MCS)





GST [Nm]

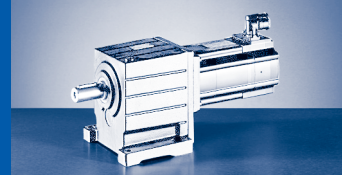
GST□□-□S (MCS)

$M_{2GN} \leq 105 \text{ Nm}$

GST06-1S				06FC41	06IC41	09DC41	09FC38	09HC41	09LC41	12DC20	12DC41	12HC15	12HC30
				...500	...500	...500	...500	...500	...500	...500	...500	...500	...500
i	M_{2GN}	J_G	M_1	1.20	1.50	2.30	3.10	3.80	4.50	5.50	4.30	10.00	8.00
			n_1	4050	4050	4050	3750	4050	4050	1950	4050	1500	3000
			I_{M230}	2.9	3.2	4.6	5.0	6.8	8.4	5.2	8.8	7.6	10.5
			I_{M400}	1.5	1.6	2.3	2.5	3.4	4.2	2.6	4.5	3.8	
			P_N	0.51	0.64	1.00	1.20	1.60	1.90	1.10	1.80	1.60	2.50
			J_M	0.25	0.33	1.13	1.53	1.93	2.83	4.12	4.12	7.42	7.42
1.600	61	2.01	M_2 c $n_{2 \text{ Eck}}$ $n_{2 \text{ th}}$									15 3.9 938 938	12 3.9 1875 1759
2.048	63	1.46	M_2 c $n_{2 \text{ Eck}}$ $n_{2 \text{ th}}$					7 5.9 1978 1725	9 5.0 1978 1672				
2.048	72	1.46	M_2 c $n_{2 \text{ Eck}}$ $n_{2 \text{ th}}$							11 6.0 952 952	8 6.0 1978 1730	20 3.6 733 733	16 3.6 1465 1465
2.240	66	1.27	M_2 c $n_{2 \text{ Eck}}$ $n_{2 \text{ th}}$					8 5.6 1808 1612	10 4.8 1808 1564				
2.240	79	1.27	M_2 c $n_{2 \text{ Eck}}$ $n_{2 \text{ th}}$							12 5.9 871 871	9 5.9 1808 1627	21 3.6 670 670	17 3.5 1339 1339
2.857	71	0.97	M_2 c $n_{2 \text{ Eck}}$ $n_{2 \text{ th}}$				8 6.0 1313 1313	10 4.8 1418 1346	12 4.0 1418 1309				
2.857	91	0.97	M_2 c $n_{2 \text{ Eck}}$ $n_{2 \text{ th}}$							15 5.4 683 683	12 5.4 1418 1376	28 3.3 525 525	22 3.2 1050 1050
2.857	92	0.97	M_2 c $n_{2 \text{ Eck}}$ $n_{2 \text{ th}}$										
3.500	74	0.74	M_2 c $n_{2 \text{ Eck}}$ $n_{2 \text{ th}}$				10 5.1 1071 1071	13 4.1 1157 1157	15 3.4 1157 1157				
3.500	96	0.74	M_2 c $n_{2 \text{ Eck}}$ $n_{2 \text{ th}}$							18 4.6 557 557	14 4.7 1157 1157	34 2.8 429 429	27 2.8 857 857
3.500	105	0.74	M_2 c $n_{2 \text{ Eck}}$ $n_{2 \text{ th}}$										
4.556	52	0.48	M_2 c $n_{2 \text{ Eck}}$ $n_{2 \text{ th}}$		6 5.6 889 889								
4.556	78	0.48	M_2 c $n_{2 \text{ Eck}}$ $n_{2 \text{ th}}$			10 5.4 889 889	13 4.1 823 823	17 3.3 889 889	20 2.8 889 889				

$M \dots$ [Nm]
 $n \dots$ [r/min]
 $J \dots$ [kgcm²]

$P \dots$ [kW]
 $I \dots$ [A]
 $i \dots$ [-]
 $c \dots$ [-]



$M_{2GN} \leq 105 \text{ Nm}$

12HC35	12LC20	12LC41	14DC15	14DC36	14HC15	14HC32	14LC15	14LC32	14PC14	14PC32	GST06-1S			
...S00	...S00	...S00	...S00	...S00	...S00	...S00	...S00	...S00	...S00	...S00	M_1	J_G	M_{2GN}	i
7.50	13.50	11.00	9.20	7.50	16.00	14.00	23.00	17.20	30.00	21.00	n_1			
3525	1950	4050	1500	3600	1500	3225	1500	3225	1350	3225	I_{M230}			
	11.8										I_{M400}			
5.7	5.9	10.2	4.5	7.5	6.6	11.9	9.7	15.0	10.8	15.6	P_N			
2.80	2.80	4.70	1.45	2.80	2.50	4.70	3.60	5.80	4.20	7.10	J_M			
7.42	10.72	10.72	8.22	8.22	14.32	14.32	23.44	23.44	34.74	34.82	M_2			
11	21	17	14	11	25	22	36	27	47	33	c	2.01	61	1.600
3.9	2.6	2.5	4.2	3.9	2.4	2.2	1.7	1.8	1.3	1.4	$n_2 \text{ Eck}$			
2203	1219	2531	938	2250	938	2016	938	2016	844	2016	$n_2 \text{ th}$			
1763	1219	1610	938	1760	938	1551	938	1421	844	1274	M_2			
											c	1.46	63	2.048
											$n_2 \text{ Eck}$			
											$n_2 \text{ th}$			
15	27	22	18	15	32	28	46	34	60	42	M_2			
3.6	2.4	2.3	3.9	3.6	2.2	2.0	1.6	1.6	1.2	1.3	c	1.46	72	2.048
1722	952	1978	733	1758	733	1575	733	1575	659	1575	$n_2 \text{ Eck}$			
1570	952	1436	733	1568	733	1390	733	1230	659	1103	$n_2 \text{ th}$			
											M_2			
											c	1.27	66	2.240
											$n_2 \text{ Eck}$			
											$n_2 \text{ th}$			
16	29	24	20	16	35	31	50	38	66	46	M_2			
3.6	2.4	2.3	3.9	3.5	2.2	2.0	1.6	1.6	1.2	1.3	c	1.27	79	2.240
1574	871	1808	670	1607	670	1440	670	1440	603	1440	$n_2 \text{ Eck}$			
1482	871	1359	670	1480	670	1313	670	1167	603	1053	$n_2 \text{ th}$			
											M_2			
											c	0.97	71	2.857
											$n_2 \text{ Eck}$			
											$n_2 \text{ th}$			
21	38	31									M_2			
3.3	2.2	2.1									c	0.97	91	2.857
1234	683	1418									$n_2 \text{ Eck}$			
1234	683	1166									$n_2 \text{ th}$			
			25	21	45	39	64	48	84	59	M_2			
			3.6	3.3	2.1	1.8	1.4	1.5	1.1	1.2	c	0.97	92	2.857
			525	1260	525	1129	525	1129	473	1129	$n_2 \text{ Eck}$			
			525	1257	525	1103	525	998	473	914	$n_2 \text{ th}$			
											M_2			
											c	0.74	74	3.500
											$n_2 \text{ Eck}$			
											$n_2 \text{ th}$			
25	46	38									M_2			
2.8	1.9	1.8									c	0.74	96	3.500
1007	557	1157									$n_2 \text{ Eck}$			
1007	557	1060									$n_2 \text{ th}$			
			31	25	55	48	79	59	103	72	M_2			
			3.3	3.0	1.9	1.7	1.3	1.4	1.0	1.1	c	0.74	105	3.500
			429	1029	429	921	429	921	386	921	$n_2 \text{ Eck}$			
			429	1026	429	921	429	913	386	833	$n_2 \text{ th}$			
											M_2			
											c	0.48	52	4.556
											$n_2 \text{ Eck}$			
											$n_2 \text{ th}$			
											M_2			
											c	0.48	78	4.556
											$n_2 \text{ Eck}$			
											$n_2 \text{ th}$			

$M \dots$ [Nm]
 $n \dots$ [r/min]
 $J \dots$ [kgcm²]

$P \dots$ [kW]
 $I \dots$ [A]
 i [-]
 c [-]



GST [Nm]

GST□□-□S (MCS)

$M_{2GN} \leq 105 \text{ Nm}$

GST06-1S				06FC41	06IC41	09DC41	09FC38	09HC41	09LC41	12DC20	12DC41	12HC15	12HC30
				...500	...500	...500	...500	...500	...500	...500	...500	...500	...500
i	M_{2GN}	J_G	M_1	1.20	1.50	2.30	3.10	3.80	4.50	5.50	4.30	10.00	8.00
			n_1	4050	4050	4050	3750	4050	4050	1950	4050	1500	3000
			I_{M230}	2.9	3.2	4.6	5.0	6.8	8.4	5.2	8.8	7.6	10.5
			I_{M400}	1.5	1.6	2.3	2.5	3.4	4.2	2.6	4.5	3.8	
			P_N	0.51	0.64	1.00	1.20	1.60	1.90	1.10	1.80	1.60	2.50
			J_M	0.25	0.33	1.13	1.53	1.93	2.83	4.12	4.12	7.42	7.42
4.556	100	0.48	M_2							24	19	44	35
			c							3.7	3.7	2.2	2.2
			$n_{2 \text{ Eck}}$							428	889	329	659
			$n_{2 \text{ th}}$							428	889	329	659
5.667	54	0.36	M_2	6	8								
			c	5.8	4.7								
			$n_{2 \text{ Eck}}$	715	715								
			$n_{2 \text{ th}}$	715	715								
5.667	81	0.36	M_2			12	17	21	25				
			c			4.5	3.4	2.7	2.3				
			$n_{2 \text{ Eck}}$			715	662	715	715				
			$n_{2 \text{ th}}$			715	662	715	715				
5.667	104	0.36	M_2							30	23	55	44
			c							3.1	3.1	1.9	1.9
			$n_{2 \text{ Eck}}$							344	715	265	529
			$n_{2 \text{ th}}$							344	715	265	529
7.333	56	0.23	M_2	8	11								
			c	4.7	3.7								
			$n_{2 \text{ Eck}}$	552	552								
			$n_{2 \text{ th}}$	552	552								
7.333	83	0.23	M_2			16	22	27	32				
			c			3.6	2.8	2.2	1.8				
			$n_{2 \text{ Eck}}$			552	511	552	552				
			$n_{2 \text{ th}}$			552	511	552	552				
8.900	57	0.17	M_2	10	13								
			c	3.9	3.1								
			$n_{2 \text{ Eck}}$	455	455								
			$n_{2 \text{ th}}$	455	455								
8.900	84	0.17	M_2			20	27	33	39				
			c			3.0	2.3	1.8	1.5				
			$n_{2 \text{ Eck}}$			455	421	455	455				
			$n_{2 \text{ th}}$			455	421	455	455				
11.250	56	0.11	M_2	13	16								
			c	3.1	2.4								
			$n_{2 \text{ Eck}}$	360	360								
			$n_{2 \text{ th}}$	360	360								

$M \dots$ [Nm]
 $n \dots$ [r/min]
 $J \dots$ [kgcm²]

$P \dots$ [kW]
 $I \dots$ [A]
 i [-]
 c [-]



$M_{2GN} \leq 105 \text{ Nm}$

12HC35	12LC20	12LC41	14DC15	14DC36	14HC15	14HC32	14LC15	14LC32	14PC14	14PC32	GST06-1S			
...S00	...S00	...S00	...S00	...S00	...S00	...S00	...S00	...S00	...S00	...S00	M_1	J_G	M_{2GN}	i
7.50	13.50	11.00	9.20	7.50	16.00	14.00	23.00	17.20	30.00	21.00	n_1			
3525	1950	4050	1500	3600	1500	3225	1500	3225	1350	3225	I_{M230}			
	11.8										I_{M400}			
5.7	5.9	10.2	4.5	7.5	6.6	11.9	9.7	15.0	10.8	15.6	P_N			
2.80	2.80	4.70	1.45	2.80	2.50	4.70	3.60	5.80	4.20	7.10	J_M			
7.42	10.72	10.72	8.22	8.22	14.32	14.32	23.44	23.44	34.74	34.82	M_2			
33	60	49									c	0.48	100	4.556
774	428	889									$n_{2 \text{ Eck}}$			
774	428	848									$n_{2 \text{ th}}$			
											M_2			
											c	0.36	54	5.667
											$n_{2 \text{ Eck}}$			
											$n_{2 \text{ th}}$			
											M_2			
											c	0.36	81	5.667
											$n_{2 \text{ Eck}}$			
											$n_{2 \text{ th}}$			
41	75	61									M_2			
1.9	1.3	1.2									c	0.36	104	5.667
622	344	715									$n_{2 \text{ Eck}}$			
622	344	715									$n_{2 \text{ th}}$			
											M_2			
											c	0.23	56	7.333
											$n_{2 \text{ Eck}}$			
											$n_{2 \text{ th}}$			
											M_2			
											c	0.23	83	7.333
											$n_{2 \text{ Eck}}$			
											$n_{2 \text{ th}}$			
											M_2			
											c	0.17	57	8.900
											$n_{2 \text{ Eck}}$			
											$n_{2 \text{ th}}$			
											M_2			
											c	0.17	84	8.900
											$n_{2 \text{ Eck}}$			
											$n_{2 \text{ th}}$			
											M_2			
											c	0.11	56	11.250
											$n_{2 \text{ Eck}}$			
											$n_{2 \text{ th}}$			

M ... [Nm]
n ... [r/min]
J ... [kgcm²]

P ... [kW]
I ... [A]
i [-]
c [-]



GST [Nm]

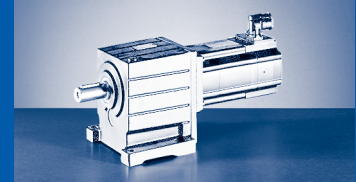
GST□□-□S (MCS)

$M_{2GN} \leq 366 \text{ Nm}$

GST06-2S				06FC41	06IC41	09DC41	09FC38	09HC41	09LC41	12DC20	12DC41	12HC15	12HC30	
				...500	...500	...500	...500	...500	...500	...500	...500	...500	...500	
i	M_{2GN}	J_G	M_1	1.20	1.50	2.30	3.10	3.80	4.50	5.50	4.30	10.00	8.00	
			n_1	4050	4050	4050	3750	4050	4050	1950	4050	1500	3000	
			I_{M230}	2.9	3.2	4.6	5.0	6.8	8.4	5.2	8.8	7.6	10.5	
			I_{M400}	1.5	1.6	2.3	2.5	3.4	4.2	2.6	4.5	3.8		
			P_N	0.51	0.64	1.00	1.20	1.60	1.90	1.10	1.80	1.60	2.50	
			J_M	0.25	0.33	1.13	1.53	1.93	2.83	4.12	4.12	7.42	7.42	
3.033	166	2.72	M_2									28	22	
			c										5.7	5.6
			$n_{2 \text{ Eck}}$										495	989
			$n_{2 \text{ th}}$										495	862
3.333	174	2.61	M_2									31	25	
			c										5.4	5.3
			$n_{2 \text{ Eck}}$										450	900
			$n_{2 \text{ th}}$										450	777
4.160	191	2.51	M_2									39	31	
			c										4.7	4.7
			$n_{2 \text{ Eck}}$										361	721
			$n_{2 \text{ th}}$										361	703
4.571	200	2.41	M_2									43	34	
			c										4.5	4.5
			$n_{2 \text{ Eck}}$										328	656
			$n_{2 \text{ th}}$										328	634
5.324	161	1.76	M_2					19	22					
			c					5.9	5.0					
			$n_{2 \text{ Eck}}$					761	761					
			$n_{2 \text{ th}}$					663	643					
5.324	207	1.76	M_2									50	40	
			c										4.0	4.0
			$n_{2 \text{ Eck}}$										282	564
			$n_{2 \text{ th}}$										282	564
5.850	177	1.71	M_2					20	24					
			c					5.9	5.0					
			$n_{2 \text{ Eck}}$					692	692					
			$n_{2 \text{ th}}$					604	585					
5.850	222	1.71	M_2									55	44	
			c										3.9	3.9
			$n_{2 \text{ Eck}}$										256	513
			$n_{2 \text{ th}}$										256	513
6.400	185	1.47	M_2					22	27					
			c					5.6	4.8					
			$n_{2 \text{ Eck}}$					633	633					
			$n_{2 \text{ th}}$					564	547					
6.400	229	1.47	M_2									60	48	
			c										3.7	3.7
			$n_{2 \text{ Eck}}$										234	469
			$n_{2 \text{ th}}$										234	469
7.040	236	2.07	M_2							36	28	67	53	
			c							5.8	5.8	3.5	3.4	
			$n_{2 \text{ Eck}}$							277	575	213	426	
			$n_{2 \text{ th}}$							277	432	213	390	
8.163	199	1.06	M_2				23	29	35					
			c				6.0	4.8	4.0					
			$n_{2 \text{ Eck}}$				459	496	496					
			$n_{2 \text{ th}}$				459	471	458					
8.163	252	1.06	M_2							42	33	77	62	
			c							5.3	5.3	3.2	3.2	
			$n_{2 \text{ Eck}}$							239	496	184	368	
			$n_{2 \text{ th}}$							239	480	184	368	

$M \dots$ [Nm]
 $n \dots$ [r/min]
 $J \dots$ [kgcm²]

$P \dots$ [kW]
 $I \dots$ [A]
 $i \dots$ [-]
 $c \dots$ [-]

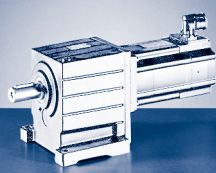


$M_{2GN} \leq 366 \text{ Nm}$

12HC35	12LC20	12LC41	14DC15	14DC36	14HC15	14HC32	14LC15	14LC32	14PC14	14PC32	GST06-2S			
...500	...500	...500	...500	...500	...500	...500	...500	...500	...500	...500	M_1	J_G	M_{2GN}	i
7.50	13.50	11.00	9.20	7.50	16.00	14.00	23.00	17.20	30.00	21.00	n_1			
3525	1950	4050	1500	3600	1500	3225	1500	3225	1350	3225	$I_{M 230}$			
	11.8										$I_{M 400}$			
5.7	5.9	10.2	4.5	7.5	6.6	11.9	9.7	15.0	10.8	15.6	P_N			
2.80	2.80	4.70	1.45	2.80	2.50	4.70	3.60	5.80	4.20	7.10	J_M			
7.42	10.72	10.72	8.22	8.22	14.32	14.32	23.44	23.44	34.74	34.82	M_2			
21	39	31		21	46	40	67	50	87	61	c	2.72	166	3.033
5.7	3.8	3.7		5.6	3.5	3.1	2.5	2.6	1.9	2.1	$n_{2 Eck}$			
1162	643	1335		1187	495	1063	495	1063	445	1063	$n_{2 th}$			
864	643	791		862	495	764	495	729	445	696	M_2			
23	42	35	28	23	50	44	73	55	96	67	c	2.61	174	3.333
5.4	3.7	3.5	5.9	5.4	3.4	3.0	2.3	2.4	1.8	2.0	$n_{2 Eck}$			
1058	585	1215	450	1080	450	968	450	968	405	968	$n_{2 th}$			
778	585	713	450	777	450	687	450	656	405	628	M_2			
29	53	43	36	29	63	56	92	69	120	84	c	2.51	191	4.160
4.8	3.2	3.1	5.2	4.7	3.0	2.6	2.1	2.1	1.6	1.8	$n_{2 Eck}$			
847	469	974	361	865	361	775	361	775	325	775	$n_{2 th}$			
705	469	646	361	704	361	623	361	595	325	545	M_2			
32	59	48	39	32	70	61	101	75	132	93	c	2.41	200	4.571
4.5	3.1	2.9	4.9	4.5	2.8	2.5	2.0	2.0	1.5	1.7	$n_{2 Eck}$			
771	427	886	328	788	328	706	328	706	295	706	$n_{2 th}$			
635	427	582	328	634	328	561	328	535	295	482	M_2			
											c	1.76	161	5.324
											$n_{2 Eck}$			
											$n_{2 th}$			
38	68	56	46	38	81	71	118	88	154	108	M_2			
4.0	2.7	2.6	4.4	4.0	2.5	2.2	1.8	1.8	1.3	1.5	c	1.76	207	5.324
662	366	761	282	676	282	606	282	606	254	606	$n_{2 Eck}$			
617	366	566	282	617	282	546	282	505	254	450	$n_{2 th}$			
											M_2			
											c	1.71	177	5.850
											$n_{2 Eck}$			
											$n_{2 th}$			
41	75	61	50	41	89	79	130	97	170	119	M_2			
3.9	2.7	2.6	4.3	3.9	2.4	2.2	1.7	1.8	1.3	1.4	c	1.71	222	5.850
603	333	692	256	615	256	551	256	551	231	551	$n_{2 Eck}$			
559	333	512	256	558	256	494	256	452	231	404	$n_{2 th}$			
											M_2			
											c	1.47	185	6.400
											$n_{2 Eck}$			
											$n_{2 th}$			
45	83	67	55	45	98	86	142	106	186	130	M_2			
3.7	2.5	2.4	4.0	3.7	2.3	2.0	1.6	1.7	1.2	1.4	c	1.47	229	6.400
551	305	633	234	563	234	504	234	504	211	504	$n_{2 Eck}$			
522	305	479	234	522	234	463	234	417	211	375	$n_{2 th}$			
50	91	74	61	50	108	95	156	117	205	143	M_2			
3.5	2.4	2.3	3.8	3.4	2.2	1.9	1.5	1.6	1.2	1.3	c	2.07	236	7.040
501	277	575	213	511	213	458	213	458	192	458	$n_{2 Eck}$			
391	277	356	213	390	213	340	213	302	192	273	$n_{2 th}$			
											M_2			
											c	1.06	199	8.163
											$n_{2 Eck}$			
											$n_{2 th}$			
58	106	86	71	58	125	110	181	136	237	166	M_2			
3.2	2.2	2.1	3.5	3.2	2.0	1.8	1.4	1.4	1.1	1.2	c	1.06	252	8.163
432	239	496	184	441	184	395	184	395	165	395	$n_{2 Eck}$			
432	239	406	184	439	184	380	184	344	165	316	$n_{2 th}$			

$M \dots$ [Nm]
 $n \dots$ [r/min]
 $J \dots$ [kgcm²]

$P \dots$ [kW]
 $I \dots$ [A]
 i [-]
 c [-]



GST [Nm]

GST□□-□S (MCS)

$M_{2GN} \leq 366 \text{ Nm}$

GST06-2S				06FC41	06IC41	09DC41	09FC38	09HC41	09LC41	12DC20	12DC41	12HC15	12HC30
				...500	...500	...500	...500	...500	...500	...500	...500	...500	...500
i	M_{2GN}	J_G	M_1	1.20	1.50	2.30	3.10	3.80	4.50	5.50	4.30	10.00	8.00
			n_1	4050	4050	4050	3750	4050	4050	1950	4050	1500	3000
			I_{M230}	2.9	3.2	4.6	5.0	6.8	8.4	5.2	8.8	7.6	10.5
			I_{M400}	1.5	1.6	2.3	2.5	3.4	4.2	2.6	4.5	3.8	
			P_N	0.51	0.64	1.00	1.20	1.60	1.90	1.10	1.80	1.60	2.50
			J_M	0.25	0.33	1.13	1.53	1.93	2.83	4.12	4.12	7.42	7.42
9.010	261	1.50	M_2					32	38	46	36	86	69
			c				5.6	4.8	5.0	5.0	3.0	3.0	
			$n_{2 \text{ Eck}}$				450	450	216	450	167	333	
			$n_{2 \text{ th}}$				389	377	216	380	166	333	
10.000	209	0.82	M_2				29	36	43				
			c				5.1	4.1	3.4				
			$n_{2 \text{ Eck}}$				375	405	405				
			$n_{2 \text{ th}}$				375	405	405				
10.000	269	0.82	M_2							51	40	95	76
			c							4.6	4.6	2.8	2.8
			$n_{2 \text{ Eck}}$							195	405	150	300
			$n_{2 \text{ th}}$							195	405	150	300
11.200	280	1.26	M_2					40	47	58	45	107	86
			c					4.9	4.1	4.3	4.3	2.6	2.6
			$n_{2 \text{ Eck}}$					362	362	174	362	134	268
			$n_{2 \text{ th}}$					314	304	174	307	134	268
12.571	295	0.96	M_2				36	45	53	65	51	120	96
			c				5.8	4.6	3.9	4.0	4.0	2.4	2.4
			$n_{2 \text{ Eck}}$				298	322	322	155	322	119	239
			$n_{2 \text{ th}}$				298	304	295	155	298	119	239
14.286	307	0.93	M_2				41	51	61	74	58	137	110
			c				5.3	4.2	3.5	3.7	3.7	2.2	2.2
			$n_{2 \text{ Eck}}$				263	284	284	137	284	105	210
			$n_{2 \text{ th}}$				263	264	256	137	258	105	210
15.400	318	0.75	M_2				44	55	65	80	62	148	118
			c				5.8	4.6	3.9	3.9	4.0	2.1	2.4
			$n_{2 \text{ Eck}}$				244	263	263	127	263	97	195
			$n_{2 \text{ th}}$				244	263	263	127	263	97	195
17.500	313	0.73	M_2				50	63	75	91	71	168	134
			c				5.0	4.0	3.3	3.4	3.5	1.8	2.1
			$n_{2 \text{ Eck}}$				214	231	231	111	231	86	171
			$n_{2 \text{ th}}$				214	231	231	111	231	86	171
20.044	336	0.46	M_2				58	72	86				
			c				4.7	3.7	3.1				
			$n_{2 \text{ Eck}}$				187	202	202				
			$n_{2 \text{ th}}$				187	202	202				
20.044	350	0.46	M_2							104	82	193	154
			c							3.3	3.4	1.8	2.0
			$n_{2 \text{ Eck}}$							97	202	75	150
			$n_{2 \text{ th}}$							97	202	75	150
22.778	315	0.45	M_2			49	66	82	98	120	93	220	176
			c			5.1	3.9	3.1	2.6	2.6	2.7	1.4	1.6
			$n_{2 \text{ Eck}}$			178	165	178	178	86	178	66	132
			$n_{2 \text{ th}}$			178	165	178	178	86	178	66	132
24.933	236	0.33	M_2		35								
			c		5.3								
			$n_{2 \text{ Eck}}$		162								
			$n_{2 \text{ th}}$		162								
24.933	349	0.33	M_2			53	73	90	107				
			c			5.1	3.9	3.1	2.6				
			$n_{2 \text{ Eck}}$			162	150	162	162				
			$n_{2 \text{ th}}$			162	150	162	162				

$M \dots$ [Nm]
 $n \dots$ [r/min]
 $J \dots$ [kgcm²]

$P \dots$ [kW]
 $I \dots$ [A]
 $i \dots$ [-]
 $c \dots$ [-]



$M_{2GN} \leq 366 \text{ Nm}$

12HC35	12LC20	12LC41	14DC15	14DC36	14HC15	14HC32	14LC15	14LC32	14PC14	14PC32	GST06-2S			
...S00	...S00	...S00	...S00	...S00	...S00	...S00	...S00	...S00	...S00	...S00	M_1	J_G	M_{2GN}	i
7.50	13.50	11.00	9.20	7.50	16.00	14.00	23.00	17.20	30.00	21.00	n_1			
3525	1950	4050	1500	3600	1500	3225	1500	3225	1350	3225	I_{M230}			
	11.8										I_{M400}			
5.7	5.9	10.2	4.5	7.5	6.6	11.9	9.7	15.0	10.8	15.6	P_N			
2.80	2.80	4.70	1.45	2.80	2.50	4.70	3.60	5.80	4.20	7.10	J_M			
7.42	10.72	10.72	8.22	8.22	14.32	14.32	23.44	23.44	34.74	34.82	M_2			
64	117	95	79	64	139	122	200	150		183	c	1.50	261	9.010
3.0	2.0	2.0	3.2	3.0	1.9	1.7	1.3	1.4		1.1	$n_{2 \text{ Eck}}$			
391	216	450	167	400	167	358	167	358		358	$n_{2 \text{ th}}$			
344	216	312	166	343	166	283	166	253		229	M_2			
											c	0.82	209	10.000
											$n_{2 \text{ Eck}}$			
											$n_{2 \text{ th}}$			
71	130	106	87	71	154	135	223	166		204	M_2			
2.8	1.9	1.8	3.0	2.8	1.7	1.5	1.2	1.3		1.0	c	0.82	269	10.000
353	195	405	150	360	150	323	150	323		323	$n_{2 \text{ Eck}}$			
353	195	370	150	359	150	323	150	306		280	$n_{2 \text{ th}}$			
80	146	119	98	80	173	151	250	187			M_2			
2.6	1.8	1.7	2.8	2.6	1.6	1.4	1.1	1.2			c	1.26	280	11.200
315	174	362	134	321	134	288	134	288			$n_{2 \text{ Eck}}$			
278	174	240	134	278	134	220	134	199			$n_{2 \text{ th}}$			
90	164	133	110	90	194	170	280	210			M_2			
2.4	1.6	1.6	2.6	2.4	1.5	1.3	1.1	1.1			c	0.96	295	12.571
280	155	322	119	286	119	257	119	257			$n_{2 \text{ Eck}}$			
272	155	234	119	271	119	217	119	199			$n_{2 \text{ th}}$			
103	186	152	126	103	221	194					M_2			
2.2	1.5	1.4	2.4	2.2	1.4	1.2					c	0.93	307	14.286
247	137	284	105	252	105	226					$n_{2 \text{ Eck}}$			
235	137	197	105	235	105	184					$n_{2 \text{ th}}$			
110	201	163	136	110	238	208		257			M_2			
2.4	1.6	1.6	2.3	2.4	1.3	1.3		1.1			c	0.75	318	15.400
229	127	263	97	234	97	209		209			$n_{2 \text{ Eck}}$			
229	127	223	97	233	97	205		187			$n_{2 \text{ th}}$			
126	228	186	155	126	271	237					M_2			
2.1	1.4	1.4	2.0	2.1	1.2	1.2					c	0.73	313	17.500
201	111	231	86	206	86	184					$n_{2 \text{ Eck}}$			
201	111	183	86	205	86	169					$n_{2 \text{ th}}$			
											M_2			
											c	0.46	336	20.044
											$n_{2 \text{ Eck}}$			
											$n_{2 \text{ th}}$			
144	262	213									M_2			
2.1	1.3	1.3									c	0.46	350	20.044
176	97	202									$n_{2 \text{ Eck}}$			
176	97	186									$n_{2 \text{ th}}$			
165	298	243									M_2			
1.6	1.1	1.1									c	0.45	315	22.778
155	86	178									$n_{2 \text{ Eck}}$			
155	86	150									$n_{2 \text{ th}}$			
											M_2			
											c	0.33	236	24.933
											$n_{2 \text{ Eck}}$			
											$n_{2 \text{ th}}$			
											M_2			
											c	0.33	349	24.933
											$n_{2 \text{ Eck}}$			
											$n_{2 \text{ th}}$			

M ... [Nm]
n ... [r/min]
J ... [kgcm²]

P ... [kW]
I ... [A]
i [-]
c [-]



GST [Nm]

GST□□-□S (MCS)

$M_{2GN} \leq 366 \text{ Nm}$

GST06-2S				06FC41	06IC41	09DC41	09FC38	09HC41	09LC41	12DC20	12DC41	12HC15	12HC30	
				...500	...500	...500	...500	...500	...500	...500	...500	...500	...500	
i	M_{2GN}	J_G	M_1	1.20	1.50	2.30	3.10	3.80	4.50	5.50	4.30	10.00	8.00	
			n_1	4050	4050	4050	3750	4050	4050	1950	4050	1500	3000	
			I_{M230}	2.9	3.2	4.6	5.0	6.8	8.4	5.2	8.8	7.6	10.5	
			I_{M400}	1.5	1.6	2.3	2.5	3.4	4.2	2.6	4.5	3.8		
			P_N	0.51	0.64	1.00	1.20	1.60	1.90	1.10	1.80	1.60	2.50	
			J_M	0.25	0.33	1.13	1.53	1.93	2.83	4.12	4.12	7.42	7.42	
24.933	360	0.33	M_2							131	102	241	192	
			c							2.7	2.8	1.5	1.7	
			$n_{2 \text{ Eck}}$							78	162	60	120	
			$n_{2 \text{ th}}$						78	162	60	120		
28.333	268	0.33	M_2		39									
			c		5.3									
			$n_{2 \text{ Eck}}$		143									
			$n_{2 \text{ th}}$		143									
28.333	317	0.33	M_2			61	83	103	122	149	117	274	219	
			c			4.1	3.1	2.5	2.1	2.1	2.2	1.2	1.3	
			$n_{2 \text{ Eck}}$			143	132	143	143	69	143	53	106	
			$n_{2 \text{ th}}$			143	132	143	143	69	143	53		
32.267	245	0.22	M_2	36	45									
			c	5.3	4.3									
			$n_{2 \text{ Eck}}$	126	126									
			$n_{2 \text{ th}}$	126	126									
32.267	362	0.22	M_2			70	95	117	139					
			c			4.1	3.1	2.5	2.1					
			$n_{2 \text{ Eck}}$			126	116	126	126					
			$n_{2 \text{ th}}$			126	116	126	126					
36.667	278	0.22	M_2	41	52									
			c	5.3	4.3									
			$n_{2 \text{ Eck}}$	111	111									
			$n_{2 \text{ th}}$	110	110									
36.667	322	0.22	M_2			80	109	134	159					
			c			3.2	2.4	1.9	1.6					
			$n_{2 \text{ Eck}}$			111	102	111	111					
			$n_{2 \text{ th}}$			110	102	110	110					
39.160	247	0.16	M_2	44	55									
			c	4.4	3.5									
			$n_{2 \text{ Eck}}$	103	103									
			$n_{2 \text{ th}}$	103	103									
39.160	366	0.16	M_2			85	116	143	170					
			c			3.4	2.6	2.1	1.8					
			$n_{2 \text{ Eck}}$			103	96	103	103					
			$n_{2 \text{ th}}$			103	96	103	103					
44.500	281	0.16	M_2	50	63									
			c	4.9	3.9									
			$n_{2 \text{ Eck}}$	91	91									
			$n_{2 \text{ th}}$	91	91									
44.500	325	0.16	M_2			97	132	163	193					
			c			3.0	2.3	1.8	1.5					
			$n_{2 \text{ Eck}}$			91	84	91	91					
			$n_{2 \text{ th}}$			91	84	91	91					
49.500	245	0.11	M_2	56	71									
			c	3.8	3.1									
			$n_{2 \text{ Eck}}$	82	82									
			$n_{2 \text{ th}}$	82	82									
56.250	278	0.11	M_2	64	80									
			c	3.8	3.1									
			$n_{2 \text{ Eck}}$	72	72									
			$n_{2 \text{ th}}$	72	72									

M ... [Nm]
 n ... [r/min]
 J ... [kgcm²]

P ... [kW]
 I ... [A]
 i [-]
 c [-]



$M_{2GN} \leq 366 \text{ Nm}$

12HC35	12LC20	12LC41	14DC15	14DC36	14HC15	14HC32	14LC15	14LC32	14PC14	14PC32	GST06-2S			
...S00	...S00	...S00	...S00	...S00	...S00	...S00	...S00	...S00	...S00	...S00	M_1	J_G	M_{2GN}	i
7.50	13.50	11.00	9.20	7.50	16.00	14.00	23.00	17.20	30.00	21.00	n_1			
3525	1950	4050	1500	3600	1500	3225	1500	3225	1350	3225	I_{M230}			
	11.8										I_{M400}			
5.7	5.9	10.2	4.5	7.5	6.6	11.9	9.7	15.0	10.8	15.6	P_N			
2.80	2.80	4.70	1.45	2.80	2.50	4.70	3.60	5.80	4.20	7.10	J_M			
7.42	10.72	10.72	8.22	8.22	14.32	14.32	23.44	23.44	34.74	34.82	M_2			
180	326	266									c	0.33	360	24.933
141	78	162									$n_{2 \text{ Eck}}$			
141	78	162									$n_{2 \text{ th}}$			
											M_2	0.33	268	28.333
											c			
											$n_{2 \text{ Eck}}$			
											$n_{2 \text{ th}}$			
206											M_2	0.33	317	28.333
1.3											c			
124											$n_{2 \text{ Eck}}$			
124											$n_{2 \text{ th}}$			
											M_2	0.22	245	32.267
											c			
											$n_{2 \text{ Eck}}$			
											$n_{2 \text{ th}}$			
											M_2	0.22	362	32.267
											c			
											$n_{2 \text{ Eck}}$			
											$n_{2 \text{ th}}$			
											M_2	0.22	278	36.667
											c			
											$n_{2 \text{ Eck}}$			
											$n_{2 \text{ th}}$			
											M_2	0.22	322	36.667
											c			
											$n_{2 \text{ Eck}}$			
											$n_{2 \text{ th}}$			
											M_2	0.16	247	39.160
											c			
											$n_{2 \text{ Eck}}$			
											$n_{2 \text{ th}}$			
											M_2	0.16	366	39.160
											c			
											$n_{2 \text{ Eck}}$			
											$n_{2 \text{ th}}$			
											M_2	0.16	281	44.500
											c			
											$n_{2 \text{ Eck}}$			
											$n_{2 \text{ th}}$			
											M_2	0.16	325	44.500
											c			
											$n_{2 \text{ Eck}}$			
											$n_{2 \text{ th}}$			
											M_2	0.11	245	49.500
											c			
											$n_{2 \text{ Eck}}$			
											$n_{2 \text{ th}}$			
											M_2	0.11	278	56.250
											c			
											$n_{2 \text{ Eck}}$			
											$n_{2 \text{ th}}$			

M ... [Nm]
n ... [r/min]
J ... [kgcm²]

P ... [kW]
I ... [A]
i [-]
c [-]



GST [Nm]

GST□□-□S (MCS)

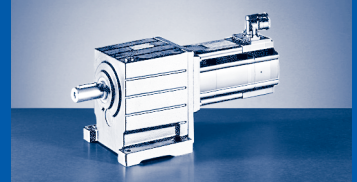
$M_{2GN} \leq 375 \text{ Nm}$

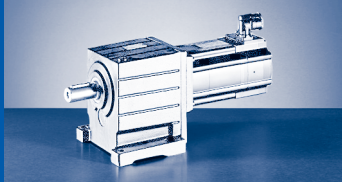
GST06-3S				06CC41	06FC41	06IC41	09DC41	09FC38	09HC41	09LC41
				...500	...500	...500	...500	...500	...500	...500
i	M_{2GN}	J_G	M_1	0.60	1.20	1.50	2.30	3.10	3.80	4.50
			n_1	4050	4050	4050	4050	3750	4050	4050
			I_{M230}	2.6	2.9	3.2	4.6	5.0	6.8	8.4
			I_{M400}	1.3	1.5	1.6	2.3	2.5	3.4	4.2
			P_N	0.25	0.51	0.64	1.00	1.20	1.60	1.90
			J_M	0.17	0.25	0.33	1.13	1.53	1.93	2.83
39.200	321	0.36	M_2		43	54	84	115	141	168
			c		5.8	4.7	3.0	2.3	1.8	1.6
			$n_{2 \text{ Eck}}$		103	103	103	96	103	103
			$n_{2 \text{ th}}$		103	103	103	96	103	103
44.000	335	0.20	M_2			61	95	128	158	188
			c			4.8	3.1	2.4	1.9	1.6
			$n_{2 \text{ Eck}}$			92	92	85	92	92
			$n_{2 \text{ th}}$			92	92	85	92	92
51.022	325	0.32	M_2		56	71	110	150	184	219
			c		5.0	4.0	2.6	2.0	1.6	1.3
			$n_{2 \text{ Eck}}$		79	79	79	74	79	79
			$n_{2 \text{ th}}$		79	79	79	74	79	79
53.900	349	0.18	M_2		59	75	116	158	194	231
			c		5.1	4.1	2.7	2.0	1.6	1.4
			$n_{2 \text{ Eck}}$		75	75	75	70	75	75
			$n_{2 \text{ th}}$		75	75	75	70	75	75
67.760	365	0.11	M_2		75	95				
			c		4.3	3.4				
			$n_{2 \text{ Eck}}$		60	60				
			$n_{2 \text{ th}}$		60	60				
70.156	359	0.16	M_2		78	98	152	207	254	301
			c		4.0	3.2	2.1	1.6	1.3	1.1
			$n_{2 \text{ Eck}}$		58	58	58	54	58	58
			$n_{2 \text{ th}}$		58	58	58	53	58	58
80.952	332	0.20	M_2		91	114	177	239	294	
			c		3.2	2.6	1.7	1.3	1.0	
			$n_{2 \text{ Eck}}$		50	50	50	46	50	
			$n_{2 \text{ th}}$		50	50	50	46	50	
87.267	370	0.15	M_2		98	123	190	258	317	
			c		3.3	2.7	1.7	1.3	1.1	
			$n_{2 \text{ Eck}}$		46	46	46	43	46	
			$n_{2 \text{ th}}$		46	46	46	43	46	
99.167	336	0.15	M_2	54	112	140	217	294		
			c	5.3	2.7	2.1	1.4	1.1		
			$n_{2 \text{ Eck}}$	41	41	41	41	38		
			$n_{2 \text{ th}}$	41	41	41	41	38		
109.707	375	0.10	M_2	60	124	155				
			c	5.4	2.7	2.2				
			$n_{2 \text{ Eck}}$	37	37	37				
			$n_{2 \text{ th}}$	37	37	37				
124.667	339	0.10	M_2	69	141	177				
			c	4.3	2.2	1.7				
			$n_{2 \text{ Eck}}$	33	33	33				
			$n_{2 \text{ th}}$	32	32	32				
141.289	375	0.06	M_2	78	160	201				
			c	4.2	2.1	1.7				
			$n_{2 \text{ Eck}}$	29	29	29				
			$n_{2 \text{ th}}$	29	29	29				
160.556	342	0.06	M_2	90	183	229				
			c	3.4	1.7	1.3				
			$n_{2 \text{ Eck}}$	25	25	25				
			$n_{2 \text{ th}}$	25	25	25				

$M \dots$ [Nm]
 $n \dots$ [r/min]
 $J \dots$ [kgcm²]

$P \dots$ [kW]
 $I \dots$ [A]
 $i \dots$ [-]
 $c \dots$ [-]

GST [Nm]
GST□□-□S (MCS)





GST [Nm]

GST□□-□S (MCS)

$M_{2GN} \leq 196 \text{ Nm}$

GST07-1S				09DC41	09FC38	09HC41	09LC41	12DC20	12DC41	12HC15	12HC30	12HC35	12LC20	12LC41	14DC15	
				...500	...500	...500	...500	...500	...500	...500	...500	...500	...500	...500	...500	
i	M_{2GN}	J_G	M_1	2.30	3.10	3.80	4.50	5.50	4.30	10.00	8.00	7.50	13.50	11.00	9.20	
			n_1	4050	3750	4050	4050	1950	4050	1500	3000	3525	1950	4050	1500	
			I_{M230}	4.6	5.0	6.8	8.4	5.2	8.8	7.6	10.5		11.8			
			I_{M400}	2.3	2.5	3.4	4.2	2.6	4.5	3.8		5.7	5.9	10.2	4.5	
			P_N	1.00	1.20	1.60	1.90	1.10	1.80	1.60	2.50	2.80	2.80	4.70	1.45	
			J_M	1.13	1.53	1.93	2.83	4.12	4.12	7.42	7.42	7.42	10.72	10.72	8.22	
1.625	106	6.12	M_2 c $n_{2 \text{ Eck}}$ $n_{2 \text{ th}}$													
2.000	99	4.78	M_2 c $n_{2 \text{ Eck}}$ $n_{2 \text{ th}}$							19 5.0 750 750	15 5.0 1500 1422	14 5.1 1763 1425	26 3.4 975 975	21 3.3 2025 1303		
2.000	124	4.78	M_2 c $n_{2 \text{ Eck}}$ $n_{2 \text{ th}}$													
2.240	105	4.02	M_2 c $n_{2 \text{ Eck}}$ $n_{2 \text{ th}}$							21 4.8 670 670	17 4.7 1339 1306	16 4.8 1574 1308	29 3.2 871 871	24 3.1 1808 1199		
2.240	135	4.02	M_2 c $n_{2 \text{ Eck}}$ $n_{2 \text{ th}}$													
2.857	88	2.69	M_2 c $n_{2 \text{ Eck}}$ $n_{2 \text{ th}}$			10 5.9 1418 1243	12 5.0 1418 1206									
2.857	113	2.69	M_2 c $n_{2 \text{ Eck}}$ $n_{2 \text{ th}}$							27 4.0 525 525	22 4.0 1050 1050	20 4.0 1234 1158	37 2.7 683 683	30 2.6 1418 1062		
2.857	156	2.69	M_2 c $n_{2 \text{ Eck}}$ $n_{2 \text{ th}}$													
3.500	119	2.15	M_2 c $n_{2 \text{ Eck}}$ $n_{2 \text{ th}}$					18 5.7 557 557	14 5.8 1157 1093	34 3.5 429 429	27 3.4 857 857	25 3.5 1007 1000	46 2.3 557 557	37 2.3 1157 922		
3.500	172	2.15	M_2 c $n_{2 \text{ Eck}}$ $n_{2 \text{ th}}$												30 5.4 429 429	
4.556	96	1.37	M_2 c $n_{2 \text{ Eck}}$ $n_{2 \text{ th}}$		13 5.1 823 823	17 4.1 889 889	20 3.4 889 889									
4.556	124	1.37	M_2 c $n_{2 \text{ Eck}}$ $n_{2 \text{ th}}$					24 4.6 428 428	19 4.6 889 889	44 2.8 329 329	35 2.7 659 659	33 2.8 774 774	60 1.9 428 428	49 1.8 889 804		
4.556	186	1.37	M_2 c $n_{2 \text{ Eck}}$ $n_{2 \text{ th}}$												40 4.5 329 329	

$M \dots$ [Nm]
 $n \dots$ [r/min]
 $J \dots$ [kgcm²]

$P \dots$ [kW]
 $I \dots$ [A]
 $i \dots$ [-]
 $c \dots$ [-]

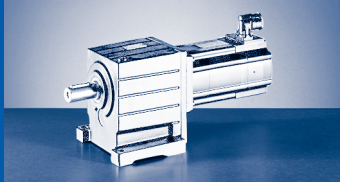


$M_{2GN} \leq 196 \text{ Nm}$

14DC36	14HC15	14HC32	14LC15	14LC32	14PC14	14PC32	19FC14	19FC30	19JC14	19JC30	19PC14	19PC30	GST07-1S			
...500	...500	...500	...500	...500	...500	...500	...500	...500	...500	...500	...500	...500	M_1	J_G	M_{2GN}	i
7.50	16.00	14.00	23.00	17.20	30.00	21.00	27.00	21.00	40.00	29.00	51.00	32.00	n_1			
3600	1500	3225	1500	3225	1350	3225	1425	3000	1425	3000	1350	3000	I_{M230}			
7.5	6.6	11.9	9.7	15.0	10.8	15.6	8.6	14.0	12.3	18.5	14.3	19.0	I_{M400}			
2.80	2.50	4.70	3.60	5.80	4.20	7.10	4.00	6.60	6.00	9.10	7.20	10.00	P_N			
8.22	14.32	14.32	23.44	23.44	34.74	34.82	65.12	65.04	105.04	105.12	160.12	160.04	J_M			
	25	22	36	27	47	33	43	33	64	46	81	51	M_2			
	4.1	3.7	2.9	3.0	2.2	2.5	2.5	2.5	1.7	1.8	1.3	1.6	c	6.12	106	1.625
	923	1985	923	1985	831	1985	877	1846	877	1846	831	1846	n_{2Eck}			
	923	1451	923	1387	831	1324	877	1331	877	1196	831	1128	n_{2th}			
													M_2			
													c	4.78	99	2.000
													n_{2Eck}			
													n_{2th}			
	31	27	45	33	58	41	52	41	78	57	100	63	M_2			
	3.9	3.5	2.7	2.8	2.1	2.3	2.3	2.4	1.6	1.7	1.2	1.6	c	4.78	124	2.000
	750	1613	750	1613	675	1613	713	1500	713	1500	675	1500	n_{2Eck}			
	750	1319	750	1260	675	1203	713	1105	713	1065	675	1006	n_{2th}			
													M_2			
													c	4.02	105	2.240
													n_{2Eck}			
													n_{2th}			
	34	30	50	37	65	46	59	46	88	64	112	70	M_2			
	3.8	3.4	2.7	2.8	2.0	2.3	2.3	2.3	1.5	1.7	1.2	1.5	c	4.02	135	2.240
	670	1440	670	1440	603	1440	636	1339	636	1339	603	1339	n_{2Eck}			
	670	1220	670	1167	603	1117	636	987	636	984	603	932	n_{2th}			
													M_2			
													c	2.69	88	2.857
													n_{2Eck}			
													n_{2th}			
													M_2			
													c	2.69	113	2.857
													n_{2Eck}			
													n_{2th}			
20	44	39	64	48	84	58							M_2			
5.5	3.5	3.1	2.4	2.5	1.9	2.1							c	2.69	156	2.857
1260	525	1129	525	1129	473	1129							n_{2Eck}			
1229	525	1098	525	1051	473	1007							n_{2th}			
													M_2			
													c	2.15	119	3.500
													n_{2Eck}			
													n_{2th}			
25	54	47	78	59	103	72							M_2			
5.0	3.1	2.8	2.2	2.3	1.7	1.8							c	2.15	172	3.500
1029	429	921	429	921	386	921							n_{2Eck}			
1026	429	921	429	921	386	865							n_{2th}			
													M_2			
													c	1.37	96	4.556
													n_{2Eck}			
													n_{2th}			
													M_2			
													c	1.37	124	4.556
													n_{2Eck}			
													n_{2th}			
33	71	62	102	77	134	94							M_2			
4.1	2.6	2.3	1.8	1.9	1.4	1.5							c	1.37	186	4.556
790	329	708	329	708	296	708							n_{2Eck}			
788	329	708	329	708	296	708							n_{2th}			

M ... [Nm]
n ... [r/min]
J ... [kgcm²]

P ... [kW]
I ... [A]
i [-]
c [-]



GST [Nm]

GST□□-□S (MCS)

$M_{2GN} \leq 196 \text{ Nm}$

GST07-1S				09DC41	09FC38	09HC41	09LC41	12DC20	12DC41	12HC15	12HC30	12HC35	12LC20	12LC41	14DC15	
				...500	...500	...500	...500	...500	...500	...500	...500	...500	...500	...500	...500	
i	M_{2GN}	J_G	M_1	2.30	3.10	3.80	4.50	5.50	4.30	10.00	8.00	7.50	13.50	11.00	9.20	
			n_1	4050	3750	4050	4050	1950	4050	1500	3000	3525	1950	4050	1500	
			I_{M230}	4.6	5.0	6.8	8.4	5.2	8.8	7.6	10.5		11.8			
			I_{M400}	2.3	2.5	3.4	4.2	2.6	4.5	3.8		5.7	5.9	10.2	4.5	
			P_N	1.00	1.20	1.60	1.90	1.10	1.80	1.60	2.50	2.80	2.80	4.70	1.45	
			J_M	1.13	1.53	1.93	2.83	4.12	4.12	7.42	7.42	7.42	10.72	10.72	8.22	
5.583	101	1.05	M_2	12	16	20	24									
			c	5.7	4.4	3.5	2.9									
			$n_{2 \text{ Eck}}$	725	672	725	725									
			$n_{2 \text{ th}}$	725	672	725	725									
5.583	130	1.05	M_2					29	23	54	43	41	74	60		
			c					3.9	4.0	2.4	2.4	2.4	1.6	1.5		
			$n_{2 \text{ Eck}}$					349	725	269	537	631	349	725		
			$n_{2 \text{ th}}$					349	725	269	537	631	349	682		
5.583	196	1.05	M_2												49	
			c												3.9	
			$n_{2 \text{ Eck}}$												269	
			$n_{2 \text{ th}}$												269	
7.333	104	0.66	M_2	16	22	27	32									
			c	4.5	3.4	2.7	2.3									
			$n_{2 \text{ Eck}}$	552	511	552	552									
			$n_{2 \text{ th}}$	552	511	552	552									
7.333	134	0.66	M_2					39	30	72	57	54	97	79		
			c					3.1	3.1	1.9	1.8	1.9	1.3	1.2		
			$n_{2 \text{ Eck}}$					266	552	205	409	481	266	552		
			$n_{2 \text{ th}}$					266	552	205	409	481	266	552		
8.900	105	0.49	M_2	20	27	33	39									
			c	3.7	2.9	2.3	1.9									
			$n_{2 \text{ Eck}}$	455	421	455	455									
			$n_{2 \text{ th}}$	455	421	455	455									
8.900	135	0.49	M_2					47	37	87	70	65	118	96		
			c					2.6	2.6	1.5	1.5	1.6	1.1	1.0		
			$n_{2 \text{ Eck}}$					219	455	169	337	396	219	455		
			$n_{2 \text{ th}}$					219	455	169	337	396	219	455		
11.250	106	0.32	M_2	25	34	42	50									
			c	3.0	2.3	1.8	1.5									
			$n_{2 \text{ Eck}}$	360	333	360	360									
			$n_{2 \text{ th}}$	360	333	360	360									

M ... [Nm]
 n ... [r/min]
 J ... [kgcm²]

P ... [kW]
 I ... [A]
 i [-]
 c [-]



$M_{2GN} \leq 196 \text{ Nm}$

14DC36	14HC15	14HC32	14LC15	14LC32	14PC14	14PC32	19FC14	19FC30	19JC14	19JC30	19PC14	19PC30	GST07-1S			
...S00	...S00	...S00	...S00	...S00	...S00	...S00	...S00	...S00	...S00	...S00	...S00	...S00	M_1	J_G	M_{2GN}	i
7.50	16.00	14.00	23.00	17.20	30.00	21.00	27.00	21.00	40.00	29.00	51.00	32.00	n_1			
3600	1500	3225	1500	3225	1350	3225	1425	3000	1425	3000	1350	3000	I_{M230}			
7.5	6.6	11.9	9.7	15.0	10.8	15.6	8.6	14.0	12.3	18.5	14.3	19.0	I_{M400}			
2.80	2.50	4.70	3.60	5.80	4.20	7.10	4.00	6.60	6.00	9.10	7.20	10.00	P_N			
8.22	14.32	14.32	23.44	23.44	34.74	34.82	65.12	65.04	105.04	105.12	160.12	160.04	J_M			
													M_2 c	1.05	101	5.583
													n_2 Eck			
													n_2 th			
													M_2 c	1.05	130	5.583
													n_2 Eck			
													n_2 th			
40	87	76	126	94	165	115							M_2 c	1.05	196	5.583
3.6	2.2	2.0	1.6	1.6	1.2	1.3							n_2 Eck			
645	269	578	269	578	242	578							n_2 th			
643	269	578	269	578	242	578							M_2 c	0.66	104	7.333
													n_2 Eck			
													n_2 th			
													M_2 c	0.66	134	7.333
													n_2 Eck			
													n_2 th			
													M_2 c	0.49	105	8.900
													n_2 Eck			
													n_2 th			
													M_2 c	0.49	135	8.900
													n_2 Eck			
													n_2 th			
													M_2 c	0.32	106	11.250
													n_2 Eck			
													n_2 th			

M ... [Nm]
n ... [r/min]
J ... [kgcm²]

P ... [kW]
I ... [A]
i [-]
c [-]



GST [Nm]

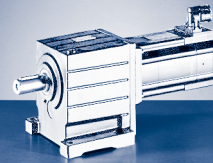
GST□□-□S (MCS)

$M_{2GN} \leq 706 \text{ Nm}$

GST07-2S				09DC41	09FC38	09HC41	09LC41	12DC20	12DC41	12HC15	12HC30	12HC35	12LC20	12LC41	14DC15
				...500	...500	...500	...500	...500	...500	...500	...500	...500	...500	...500	...500
i	M_{2GN}	J_G	M_1	2.30	3.10	3.80	4.50	5.50	4.30	10.00	8.00	7.50	13.50	11.00	9.20
			n_1	4050	3750	4050	4050	1950	4050	1500	3000	3525	1950	4050	1500
			I_{M230}	4.6	5.0	6.8	8.4	5.2	8.8	7.6	10.5		11.8		
			I_{M400}	2.3	2.5	3.4	4.2	2.6	4.5	3.8		5.7	5.9	10.2	4.5
			P_N	1.00	1.20	1.60	1.90	1.10	1.80	1.60	2.50	2.80	2.80	4.70	1.45
			J_M	1.13	1.53	1.93	2.83	4.12	4.12	7.42	7.42	7.42	10.72	10.72	8.22
3.048	304	8.20	M_2 c n_2 Eck n_2 th												
3.048	351	8.20	M_2 c n_2 Eck n_2 th												
3.350	334	7.92	M_2 c n_2 Eck n_2 th												
3.350	367	7.92	M_2 c n_2 Eck n_2 th												
4.225	373	7.65	M_2 c n_2 Eck n_2 th												
4.225	398	7.65	M_2 c n_2 Eck n_2 th												
4.643	410	7.39	M_2 c n_2 Eck n_2 th												
4.643	414	7.39	M_2 c n_2 Eck n_2 th												
5.200	254	5.64	M_2 c n_2 Eck n_2 th							48 5.0 289 288	39 5.0 577 547	36 5.1 678 548	66 3.4 375 375	54 3.3 779 501	
5.200	399	5.64	M_2 c n_2 Eck n_2 th												
5.200	427	5.64	M_2 c n_2 Eck n_2 th												
5.714	279	5.46	M_2 c n_2 Eck n_2 th							53 5.0 263 263	43 5.0 525 498	40 5.1 617 499	73 3.4 341 341	60 3.3 709 456	
5.714	438	5.46	M_2 c n_2 Eck n_2 th												

$M \dots$ [Nm]
 $n \dots$ [r/min]
 $J \dots$ [kgcm²]

$P \dots$ [kW]
 $I \dots$ [A]
 i [-]
 c [-]



M_{2 GN} ≤ 706 Nm

													GST07-2S				
14DC36	14HC15	14HC32	14LC15	14LC32	14PC14	14PC32	19FC14	19FC30	19JC14	19JC30	19PC14	19PC30	M ₁	J _G	M _{2 GN}	i	
...500	...500	...500	...500	...500	...500	...500	...500	...500	...500	...500	...500	...500	n ₁				
7.50	16.00	14.00	23.00	17.20	30.00	21.00	27.00	21.00	40.00	29.00	51.00	32.00	3600	1500	3225	1500	3225
													I _{M230}				
7.5	6.6	11.9	9.7	15.0	10.8	15.6	8.6	14.0	12.3	18.5	14.3	19.0	I _{M400}				
2.80	2.50	4.70	3.60	5.80	4.20	7.10	4.00	6.60	6.00	9.10	7.20	10.00	P _N				
8.22	14.32	14.32	23.44	23.44	34.74	34.82	65.12	65.04	105.04	105.12	160.12	160.04	J _M				
		39	66	49	87	60							M ₂ c				
		5.7	4.5	4.6	3.4	3.8							n ₂ Eck	8.20	304	3.048	
		1058	492	1058	443	1058							n ₂ th				
		738	492	706	443	675							M ₂ c				
							77	60	116	84	149	93	n ₂ Eck	8.20	351	3.048	
							4.4	4.5	3.0	3.3	2.3	3.0	n ₂ th				
							468	984	468	984	443	984	M ₂ c				
							467	701	467	652	443	636	n ₂ Eck	7.92	334	3.350	
													n ₂ th				
		43	72	54	95	66							M ₂ c				
		5.7	4.5	4.6	3.4	3.8							n ₂ Eck	7.92	367	3.350	
		963	448	963	403	963							n ₂ th				
		671	448	643	403	615							M ₂ c				
							85	66	128	92	164	102	n ₂ Eck	7.65	373	4.225	
							4.2	4.3	2.8	3.1	2.2	2.8	n ₂ th				
							425	896	425	896	403	896	M ₂ c				
							425	631	425	586	403	572	n ₂ Eck	7.65	398	4.225	
													n ₂ th				
	62	55	91	68	120	84							M ₂ c				
	5.7	5.0	4.0	4.1	3.0	3.4							n ₂ Eck	7.65	398	4.225	
	355	763	355	763	320	763							n ₂ th				
	355	596	355	571	320	547							M ₂ c				
							108	84	162	117	207	129	n ₂ Eck	7.65	410	4.643	
							3.6	3.7	2.4	2.7	1.9	2.4	n ₂ th				
							337	710	337	710	320	710	M ₂ c				
							337	523	337	519	320	507	n ₂ Eck	7.39	414	4.643	
													n ₂ th				
	69	60	100	75	132	92							M ₂ c				
	5.7	5.0	4.0	4.1	3.0	3.4							n ₂ Eck	7.39	427	5.200	
	323	695	323	695	291	695							n ₂ th				
	323	543	323	520	291	498							M ₂ c				
							119	92	178	129	228	142	n ₂ Eck	5.64	254	5.200	
							3.4	3.5	2.3	2.5	1.8	2.3	n ₂ th				
							307	646	307	646	291	646	M ₂ c				
							307	476	307	466	291	456	n ₂ Eck	5.64	427	5.200	
													n ₂ th				
													M ₂ c				
													n ₂ Eck	5.46	279	5.714	
													n ₂ th				
	77	68	113	84	149	104							M ₂ c				
	4.9	4.4	3.4	3.6	2.6	2.9							n ₂ Eck	5.64	427	5.200	
	289	620	289	620	260	620							n ₂ th				
	288	532	288	510	260	488							M ₂ c				
							133	104	199	144	256	160	n ₂ Eck	5.46	438	5.714	
							3.1	3.2	2.1	2.3	1.7	2.1	n ₂ th				
							274	577	274	577	260	577	M ₂ c				
							274	425	274	425	260	425	n ₂ Eck	5.46	438	5.714	
													n ₂ th				
	85	75	124	93	164	114							M ₂ c				
	4.9	4.4	3.4	3.6	2.6	2.9							n ₂ Eck	5.46	438	5.714	
	263	564	263	564	236	564							n ₂ th				
	263	484	263	464	236	444							M ₂ c				

M ... [Nm]
n ... [r/min]
J ... [kgcm²]

P ... [kW]
I ... [A]
i [-]
c [-]



GST [Nm]

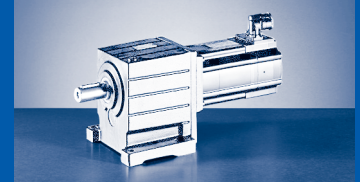
GST□□-□S (MCS)

$M_{2GN} \leq 706 \text{ Nm}$

GST07-2S				09DC41	09FC38	09HC41	09LC41	12DC20	12DC41	12HC15	12HC30	12HC35	12LC20	12LC41	14DC15	
				...500	...500	...500	...500	...500	...500	...500	...500	...500	...500	...500	...500	
i	M_{2GN}	J_G	M_1	2.30	3.10	3.80	4.50	5.50	4.30	10.00	8.00	7.50	13.50	11.00	9.20	
			n_1	4050	3750	4050	4050	1950	4050	1500	3000	3525	1950	4050	1500	
			I_{M230}	4.6	5.0	6.8	8.4	5.2	8.8	7.6	10.5		11.8			
			I_{M400}	2.3	2.5	3.4	4.2	2.6	4.5	3.8		5.7	5.9	10.2	4.5	
			P_N	1.00	1.20	1.60	1.90	1.10	1.80	1.60	2.50	2.80	2.80	4.70	1.45	
			J_M	1.13	1.53	1.93	2.83	4.12	4.12	7.42	7.42	7.42	10.72	10.72	8.22	
5.714	448	5.46	M_2 c n_2 Eck n_2 th													
6.400	296	4.49	M_2 c n_2 Eck n_2 th							60 4.8	48 4.7	45 4.8	82 3.2	67 3.1		
6.400	460	4.49	M_2 c n_2 Eck n_2 th							234	469	551	305	633		
6.400	463	4.49	M_2 c n_2 Eck n_2 th							234	457	458	305	420		
7.150	489	6.27	M_2 c n_2 Eck n_2 th													
8.125	539	6.04	M_2 c n_2 Eck n_2 th													
8.800	430	4.73	M_2 c n_2 Eck n_2 th							82 5.0	65 5.0	61 5.1	112 3.4	92 3.3		
8.800	527	4.73	M_2 c n_2 Eck n_2 th							171	341	401	222	460		
8.800	527	4.73	M_2 c n_2 Eck n_2 th							170	323	324	222	296		
9.856	456	3.90	M_2 c n_2 Eck n_2 th							92 4.8	74 4.7	69 4.8	126 3.2	103 3.1		
9.856	549	3.90	M_2 c n_2 Eck n_2 th							152	304	358	198	411		
9.856	549	3.90	M_2 c n_2 Eck n_2 th							152	297	297	198	273		
11.200	518	3.78	M_2 c n_2 Eck n_2 th							104 4.8	84 4.7	78 4.8	143 3.2	117 3.1		
11.200	518	3.78	M_2 c n_2 Eck n_2 th							134	268	315	174	362		
11.200	518	3.78	M_2 c n_2 Eck n_2 th							134	261	262	174	240		
11.200	598	3.78	M_2 c n_2 Eck n_2 th												95 6.0 134 134	
12.571	380	2.86	M_2 c n_2 Eck n_2 th			44 5.9 322 283	53 5.0 322 274									

$M \dots$ [Nm]
 $n \dots$ [r/min]
 $J \dots$ [kgcm²]

$P \dots$ [kW]
 $I \dots$ [A]
 $i \dots$ [-]
 $c \dots$ [-]



$M_{2GN} \leq 706 \text{ Nm}$

14DC36	14HC15	14HC32	14LC15	14LC32	14PC14	14PC32	19FC14	19FC30	19JC14	19JC30	19PC14	19PC30	GST07-2S				
...S00	...S00	...S00	...S00	...S00	...S00	...S00	...S00	...S00	...S00	...S00	...S00	...S00	M_1	J_G	M_{2GN}	i	
7.50	16.00	14.00	23.00	17.20	30.00	21.00	27.00	21.00	40.00	29.00	51.00	32.00	n_1				
3600	1500	3225	1500	3225	1350	3225	1425	3000	1425	3000	1350	3000	I_{M230}				
													I_{M400}				
7.5	6.6	11.9	9.7	15.0	10.8	15.6	8.6	14.0	12.3	18.5	14.3	19.0	P_N				
2.80	2.50	4.70	3.60	5.80	4.20	7.10	4.00	6.60	6.00	9.10	7.20	10.00	J_M				
8.22	14.32	14.32	23.44	23.44	34.74	34.82	65.12	65.04	105.04	105.12	160.12	160.04	M_2				
							147	114	219	159	281	176	c	5.46	448	5.714	
							3.0	3.1	2.0	2.2	1.6	2.0	$n_{2 \text{ Eck}}$				
							249	525	249	525	236	525	$n_{2 \text{ th}}$				
													M_2	4.49	296	6.400	
													c				
													$n_{2 \text{ th}}$				
													M_2	4.49	460	6.400	
	96	84	140	104	183	128							c				
	4.6	4.1	3.2	3.3	2.5	2.7							$n_{2 \text{ Eck}}$				
	234	504	234	504	211	504							$n_{2 \text{ th}}$				
	234	444	234	426	211	408							M_2	4.49	463	6.400	
							165	128	246	178	315	197	c				
							2.8	2.8	1.9	2.0	1.5	1.9	$n_{2 \text{ Eck}}$				
							223	469	223	469	211	469	$n_{2 \text{ th}}$				
							223	345	223	345	211	345	M_2	6.27	489	7.150	
	107	94	156	117	205	143	184	143	275	199	352	220	c				
	4.4	3.9	3.1	3.2	2.4	2.6	2.6	2.7	1.8	1.9	1.4	1.8	$n_{2 \text{ Eck}}$				
	210	451	210	451	189	451	199	420	199	420	189	420	$n_{2 \text{ th}}$				
	210	334	210	319	189	305	199	307	199	282	189	266	M_2	6.04	539	8.125	
	122	107	178	133	233	163	209	163	313	227	401	250	c				
	4.3	3.8	3.0	3.1	2.3	2.5	2.5	2.6	1.7	1.9	1.3	1.7	$n_{2 \text{ Eck}}$				
	185	397	185	397	166	397	175	369	175	369	166	369	$n_{2 \text{ th}}$				
	185	292	185	279	166	267	175	268	175	244	166	230	M_2	4.73	430	8.800	
													c				
													$n_{2 \text{ th}}$				
													M_2	4.73	527	8.800	
	133	117	193	144	253	177	227	177	340	246	434	272	c				
	3.9	3.4	2.7	2.8	2.1	2.3	2.3	2.3	1.5	1.7	1.2	1.5	$n_{2 \text{ Eck}}$				
	171	367	171	367	153	367	162	341	162	341	153	341	$n_{2 \text{ th}}$				
	170	299	170	285	153	272	162	251	162	240	153	226	M_2	3.90	456	9.856	
													c				
													$n_{2 \text{ th}}$				
													M_2	3.90	549	9.856	
	68	149	131	217	162	284	198	255	198	381	276	487	c				
	5.7	3.6	3.2	2.5	2.6	1.9	2.1	2.1	2.2	1.4	1.6	1.1	1.4				$n_{2 \text{ Eck}}$
	365	152	327	152	327	137	327	145	304	145	304	137	304	$n_{2 \text{ th}}$			
	308	152	274	152	262	137	250	145	224	145	216	137	205	M_2	3.78	518	11.200
													c				
													$n_{2 \text{ th}}$				
													M_2	3.78	598	11.200	
	78	169	149	246	184	323	226	290	226	433	313	554	346				c
	5.5	3.4	3.1	2.4	2.5	1.8	2.0	2.0	2.1	1.4	1.5	1.1	1.4				$n_{2 \text{ Eck}}$
	321	134	288	134	288	121	288	127	268	127	268	121	268	$n_{2 \text{ th}}$			
	269	134	239	134	228	121	218	127	197	127	186	121	177	M_2	2.86	380	12.571
													c				
													$n_{2 \text{ th}}$				

M ... [Nm]
n ... [r/min]
J ... [kgcm²]

P ... [kW]
I ... [A]
i [-]
c [-]



GST [Nm] GST□□-□S (MCS)

$M_2 \text{ GN} \leq 706 \text{ Nm}$

GST07-2S				09DC41	09FC38	09HC41	09LC41	12DC20	12DC41	12HC15	12HC30	12HC35	12LC20	12LC41	14DC15		
				...500	...500	...500	...500	...500	...500	...500	...500	...500	...500	...500	...500		
i	$M_2 \text{ GN}$	J_G	M_1	2.30	3.10	3.80	4.50	5.50	4.30	10.00	8.00	7.50	13.50	11.00	9.20		
			n_1	4050	3750	4050	4050	1950	4050	1500	3000	3525	1950	4050	1500		
			I_{M230}	4.6	5.0	6.8	8.4	5.2	8.8	7.6	10.5		11.8				
			I_{M400}	2.3	2.5	3.4	4.2	2.6	4.5	3.8		5.7	5.9	10.2	4.5		
			P_N	1.00	1.20	1.60	1.90	1.10	1.80	1.60	2.50	2.80	2.80	4.70	1.45		
			J_M	1.13	1.53	1.93	2.83	4.12	4.12	7.42	7.42	7.42	10.72	10.72	8.22		
12.571	489	2.86	M_2							118	95	89	162	132			
			c								4.0	4.0	4.0	2.7	2.6		
			$n_2 \text{ Eck}$									119	239	280	155	322	
			$n_2 \text{ th}$											155	241		
12.571	601	2.86	M_2												107		
			c													5.4	
			$n_2 \text{ Eck}$														119
			$n_2 \text{ th}$												119		
14.286	432	2.79	M_2			50	60										
			c			5.9	5.0										
			$n_2 \text{ Eck}$			284	284										
			$n_2 \text{ th}$			249	241										
14.286	556	2.79	M_2							134	107	101	184	150			
			c								4.0	4.0	4.0	2.7	2.6		
			$n_2 \text{ Eck}$									105	210	247	137	284	
			$n_2 \text{ th}$							105	210	232	137	212			
14.286	642	2.79	M_2												122		
			c													5.0	
			$n_2 \text{ Eck}$														105
			$n_2 \text{ th}$												105		
15.400	515	2.26	M_2							146	116	109	198	162			
			c								3.5	3.9	3.9	2.6	2.6		
			$n_2 \text{ Eck}$									97	195	229	127	263	
			$n_2 \text{ th}$							97	195	229	127	215			
15.400	644	2.26	M_2												132		
			c													4.7	
			$n_2 \text{ Eck}$														97
			$n_2 \text{ th}$												97		
17.500	585	2.21	M_2							166	132	124	226	184			
			c								3.5	3.9	3.9	2.6	2.6		
			$n_2 \text{ Eck}$									86	171	201	111	231	
			$n_2 \text{ th}$							86	171	201	111	189			
17.500	680	2.21	M_2												151		
			c													4.4	
			$n_2 \text{ Eck}$														86
			$n_2 \text{ th}$												86		
20.044	418	1.38	M_2		57	71	85										
			c		5.8	4.6	3.9										
			$n_2 \text{ Eck}$		187	202	202										
			$n_2 \text{ th}$		187	202	202										
20.044	538	1.38	M_2					103	80	191	152	143	260	212			
			c					5.0	5.3	2.8	3.1	3.2	2.1	2.1			
			$n_2 \text{ Eck}$					97	202	75	150	176	97	202			
			$n_2 \text{ th}$					97	202	75	150	176	97	193			
20.044	694	1.38	M_2												174		
			c													3.9	
			$n_2 \text{ Eck}$														75
			$n_2 \text{ th}$												75		
22.778	475	1.35	M_2		65	81	96										
			c		5.8	4.6	3.9										
			$n_2 \text{ Eck}$		165	178	178										
			$n_2 \text{ th}$		165	178	178										

$M \dots [\text{Nm}]$
 $n \dots [\text{r/min}]$
 $J \dots [\text{kgcm}^2]$

$P \dots [\text{kW}]$
 $I \dots [\text{A}]$
 $i \dots [-]$
 $c \dots [-]$



$M_{2GN} \leq 706 \text{ Nm}$

14DC36	14HC15	14HC32	14LC15	14LC32	14PC14	14PC32	19FC14	19FC30	19JC14	19JC30	19PC14	19PC30	GST07-2S			
...500	...500	...500	...500	...500	...500	...500	...500	...500	...500	...500	...500	...500	M_1	J_G	M_{2GN}	i
7.50	16.00	14.00	23.00	17.20	30.00	21.00	27.00	21.00	40.00	29.00	51.00	32.00	n_1			
3600	1500	3225	1500	3225	1350	3225	1425	3000	1425	3000	1350	3000	I_{M230}			
7.5	6.6	11.9	9.7	15.0	10.8	15.6	8.6	14.0	12.3	18.5	14.3	19.0	I_{M400}			
2.80	2.50	4.70	3.60	5.80	4.20	7.10	4.00	6.60	6.00	9.10	7.20	10.00	P_N			
8.22	14.32	14.32	23.44	23.44	34.74	34.82	65.12	65.04	105.04	105.12	160.12	160.04	J_M			
													M_2 c			
													n_2 Eck	2.86	489	12.571
													n_2 th			
88	191	168	277	207	363	254							M_2 c			
4.9	3.1	2.7	2.1	2.2	1.6	1.8							n_2 Eck	2.86	601	12.571
286	119	257	119	257	107	257							n_2 th			
273	119	243	119	233	107	216							M_2 c			
													n_2 Eck	2.79	432	14.286
													n_2 th			
													M_2 c			
													n_2 Eck	2.79	556	14.286
													n_2 th			
100	217	191	315	236	413	289							M_2 c			
4.6	2.9	2.6	2.0	2.1	1.5	1.7							n_2 Eck	2.79	642	14.286
252	105	226	105	226	95	226							n_2 th			
238	105	211	105	202	95	183							M_2 c			
													n_2 Eck	2.26	515	15.400
													n_2 th			
108	235	205	341	254	446	311							M_2 c			
4.9	2.7	2.7	1.9	2.2	1.4	1.8							n_2 Eck	2.26	644	15.400
234	97	209	97	209	88	209							n_2 th			
233	97	209	97	209	88	195							M_2 c			
													n_2 Eck	2.21	585	17.500
													n_2 th			
123	267	234	388	289	508	354							M_2 c			
4.5	2.5	2.5	1.7	2.1	1.3	1.7							n_2 Eck	2.21	680	17.500
206	86	184	86	184	77	184							n_2 th			
205	86	184	86	181	77	165							M_2 c			
													n_2 Eck	1.38	418	20.044
													n_2 th			
													M_2 c			
													n_2 Eck	1.38	538	20.044
													n_2 th			
141	307	269	445	332	582	406							M_2 c			
4.0	2.2	2.2	1.6	1.8	1.2	1.5							n_2 Eck	1.38	694	20.044
180	75	161	75	161	67	161							n_2 th			
179	75	161	75	161	67	161							M_2 c			
													n_2 Eck	1.35	475	22.778
													n_2 th			

M ... [Nm]
n ... [r/min]
J ... [kgcm²]

P ... [kW]
I ... [A]
i [-]
c [-]



GST [Nm]

GST□□-□S (MCS)

$M_{2GN} \leq 706 \text{ Nm}$

GST07-2S				09DC41	09FC38	09HC41	09LC41	12DC20	12DC41	12HC15	12HC30	12HC35	12LC20	12LC41	14DC15
				...500	...500	...500	...500	...500	...500	...500	...500	...500	...500	...500	...500
i	M_{2GN}	J_G	M_1	2.30	3.10	3.80	4.50	5.50	4.30	10.00	8.00	7.50	13.50	11.00	9.20
			n_1	4050	3750	4050	4050	1950	4050	1500	3000	3525	1950	4050	1500
			I_{M230}	4.6	5.0	6.8	8.4	5.2	8.8	7.6	10.5		11.8		
			I_{M400}	2.3	2.5	3.4	4.2	2.6	4.5	3.8		5.7	5.9	10.2	4.5
			P_N	1.00	1.20	1.60	1.90	1.10	1.80	1.60	2.50	2.80	2.80	4.70	1.45
			J_M	1.13	1.53	1.93	2.83	4.12	4.12	7.42	7.42	7.42	10.72	10.72	8.22
22.778	611	1.35	M_2					117	91	217	173	162	295	240	
			c				5.0	5.3	2.8	3.1	3.2	2.1	2.1		
			$n_{2 \text{ Eck}}$				86	178	66	132	155	86	178		
			$n_{2 \text{ th}}$				86	178	66	132	155	86	170		
22.778	682	1.35	M_2												198
			c												3.4
			$n_{2 \text{ Eck}}$												66
			$n_{2 \text{ th}}$												66
24.567	438	1.02	M_2		71	88	105								
			c		5.0	4.0	3.3								
			$n_{2 \text{ Eck}}$		153	165	165								
			$n_{2 \text{ th}}$		153	165	165								
24.567	564	1.02	M_2					127	99	235	187	176	319	260	
			c					4.3	4.5	2.4	2.7	2.7	1.8	1.8	
			$n_{2 \text{ Eck}}$					79	165	61	122	144	79	165	
			$n_{2 \text{ th}}$					79	165	61	122	143	79	165	
24.567	706	1.02	M_2												214
			c												3.2
			$n_{2 \text{ Eck}}$												61
			$n_{2 \text{ th}}$												61
27.917	498	1.01	M_2		81	100	119								
			c		5.0	4.0	3.3								
			$n_{2 \text{ Eck}}$		134	145	145								
			$n_{2 \text{ th}}$		134	145	145								
27.917	641	1.01	M_2					144	112	267	213	200	363	296	
			c					4.3	4.5	2.4	2.7	2.7	1.8	1.8	
			$n_{2 \text{ Eck}}$					70	145	54	108	126	70	145	
			$n_{2 \text{ th}}$					70	145	54	107	126	70	145	
27.917	691	1.01	M_2												245
			c												2.8
			$n_{2 \text{ Eck}}$												54
			$n_{2 \text{ th}}$												54
32.267	450	0.66	M_2	69	94	116	139								
			c	5.1	3.9	3.1	2.6								
			$n_{2 \text{ Eck}}$	126	116	126	126								
			$n_{2 \text{ th}}$	126	116	126	126								
32.267	580	0.66	M_2					168	131	310	248	232	421	343	
			c					3.4	3.5	1.9	2.1	2.1	1.4	1.4	
			$n_{2 \text{ Eck}}$					60	126	47	93	109	60	126	
			$n_{2 \text{ th}}$					60	126	46	93	109	60	126	
36.667	512	0.65	M_2	78	107	132	157								
			c	5.1	3.9	3.1	2.6								
			$n_{2 \text{ Eck}}$	111	102	111	111								
			$n_{2 \text{ th}}$	110	102	110	110								
36.667	659	0.65	M_2					191	149	353	281	264	478	390	
			c					3.4	3.5	1.9	2.1	2.1	1.4	1.4	
			$n_{2 \text{ Eck}}$					53	111	41	82	96	53	111	
			$n_{2 \text{ th}}$					53	110	41	82	96	53	110	
39.160	456	0.49	M_2	84	115	142	169								
			c	4.3	3.2	2.6	2.2								
			$n_{2 \text{ Eck}}$	103	96	103	103								
			$n_{2 \text{ th}}$	103	96	103	103								

$M \dots$ [Nm]
 $n \dots$ [r/min]
 $J \dots$ [kgcm²]

$P \dots$ [kW]
 $I \dots$ [A]
 $i \dots$ [-]
 $c \dots$ [-]



$M_{2GN} \leq 706 \text{ Nm}$

14DC36	14HC15	14HC32	14LC15	14LC32	14PC14	14PC32	19FC14	19FC30	19JC14	19JC30	19PC14	19PC30	GST07-2S			
...500	...500	...500	...500	...500	...500	...500	...500	...500	...500	...500	...500	...500	M_1	J_G	M_{2GN}	i
7.50	16.00	14.00	23.00	17.20	30.00	21.00	27.00	21.00	40.00	29.00	51.00	32.00	n_1			
3600	1500	3225	1500	3225	1350	3225	1425	3000	1425	3000	1350	3000	I_{M230}			
													I_{M400}			
7.5	6.6	11.9	9.7	15.0	10.8	15.6	8.6	14.0	12.3	18.5	14.3	19.0	P_N			
2.80	2.50	4.70	3.60	5.80	4.20	7.10	4.00	6.60	6.00	9.10	7.20	10.00	J_M			
8.22	14.32	14.32	23.44	23.44	34.74	34.82	65.12	65.04	105.04	105.12	160.12	160.04	M_2 c			
													n_2 Eck	1.35	611	22.778
													n_2 th			
161	350	306	506	378	663	463							M_2 c			
3.5	1.9	1.9	1.3	1.6	1.0	1.3							n_2 Eck	1.35	682	22.778
158	66	142	66	142	59	142							n_2 th			
158	66	142	66	142	59	135							M_2 c			
													n_2 Eck	1.02	438	24.567
													n_2 th			
													M_2 c			
													n_2 Eck	1.02	564	24.567
													n_2 th			
174	378	331	547	408		499							M_2 c			
3.4	1.9	1.9	1.3	1.5		1.2							n_2 Eck	1.02	706	24.567
147	61	131	61	131		131							n_2 th			
146	61	131	61	131		131							M_2 c			
													n_2 Eck	1.01	498	27.917
													n_2 th			
													M_2 c			
													n_2 Eck	1.01	641	27.917
													n_2 th			
199	431	377	622	464		568							M_2 c			
2.9	1.6	1.6	1.1	1.3		1.1							n_2 Eck	1.01	691	27.917
129	54	116	54	116		116							n_2 th			
129	54	116	54	116		116							M_2 c			
													n_2 Eck	0.66	450	32.267
													n_2 th			
													M_2 c			
													n_2 Eck	0.66	580	32.267
													n_2 th			
													M_2 c			
													n_2 Eck	0.65	512	36.667
													n_2 th			
													M_2 c			
													n_2 Eck	0.65	659	36.667
													n_2 th			
													M_2 c			
													n_2 Eck	0.49	456	39.160
													n_2 th			

M ... [Nm]
n ... [r/min]
J ... [kgcm²]

P ... [kW]
I ... [A]
i [-]
c [-]



GST [Nm]

GST□□-□S (MCS)

$M_{2GN} \leq 706 \text{ Nm}$

GST07-2S				09DC41	09FC38	09HC41	09LC41	12DC20	12DC41	12HC15	12HC30	12HC35	12LC20	12LC41	14DC15
				...500	...500	...500	...500	...500	...500	...500	...500	...500	...500	...500	...500
i	M_{2GN}	J_G	M_1	2.30	3.10	3.80	4.50	5.50	4.30	10.00	8.00	7.50	13.50	11.00	9.20
			n_1	4050	3750	4050	4050	1950	4050	1500	3000	3525	1950	4050	1500
			I_{M230}	4.6	5.0	6.8	8.4	5.2	8.8	7.6	10.5		11.8		
			I_{M400}	2.3	2.5	3.4	4.2	2.6	4.5	3.8		5.7	5.9	10.2	4.5
			P_N	1.00	1.20	1.60	1.90	1.10	1.80	1.60	2.50	2.80	2.80	4.70	1.45
			J_M	1.13	1.53	1.93	2.83	4.12	4.12	7.42	7.42	7.42	10.72	10.72	8.22
39.160	586	0.49	M_2					205	160	378	302	283	512	417	
			c				2.8	2.9	1.5	1.7	1.8	1.1	1.2		
			$n_{2 \text{ Eck}}$				50	103	38	77	90	50	103		
			$n_{2 \text{ th}}$				50	103	38	77	90	50	103		
44.500	518	0.48	M_2	95	130	161	191								
			c	4.7	3.6	2.9	2.4								
			$n_{2 \text{ Eck}}$	91	84	91	91								
			$n_{2 \text{ th}}$	91	84	91	91								
44.500	666	0.48	M_2					233	181	429	342	321	582	474	
			c					2.8	3.3	1.5	1.9	2.0	1.1	1.3	
			$n_{2 \text{ Eck}}$					44	91	34	67	79	44	91	
			$n_{2 \text{ th}}$					44	91	34	67	79	44	91	
49.500	461	0.33	M_2	107	146	180	214								
			c	3.8	2.9	2.3	1.9								
			$n_{2 \text{ Eck}}$	82	76	82	82								
			$n_{2 \text{ th}}$	82	76	82	82								
56.250	524	0.33	M_2	122	166	205	243								
			c	3.8	2.9	2.3	1.9								
			$n_{2 \text{ Eck}}$	72	67	72	72								
			$n_{2 \text{ th}}$	72	67	72	72								

$M \dots$ [Nm]
 $n \dots$ [r/min]
 $J \dots$ [kgcm²]

$P \dots$ [kW]
 $I \dots$ [A]
 $i [-]$
 $c [-]$



$M_{2GN} \leq 706 \text{ Nm}$

14DC36	14HC15	14HC32	14LC15	14LC32	14PC14	14PC32	19FC14	19FC30	19JC14	19JC30	19PC14	19PC30	GST07-2S			
...S00	...S00	...S00	...S00	...S00	...S00	...S00	...S00	...S00	...S00	...S00	...S00	...S00	M_1	J_G	M_{2GN}	i
7.50	16.00	14.00	23.00	17.20	30.00	21.00	27.00	21.00	40.00	29.00	51.00	32.00	n_1			
3600	1500	3225	1500	3225	1350	3225	1425	3000	1425	3000	1350	3000	I_{M230}			
7.5	6.6	11.9	9.7	15.0	10.8	15.6	8.6	14.0	12.3	18.5	14.3	19.0	I_{M400}			
2.80	2.50	4.70	3.60	5.80	4.20	7.10	4.00	6.60	6.00	9.10	7.20	10.00	P_N			
8.22	14.32	14.32	23.44	23.44	34.74	34.82	65.12	65.04	105.04	105.12	160.12	160.04	J_M			
													M_2 c	0.49	586	39.160
													n_2 Eck			
													n_2 th			
													M_2 c	0.48	518	44.500
													n_2 Eck			
													n_2 th			
													M_2 c	0.48	666	44.500
													n_2 Eck			
													n_2 th			
													M_2 c	0.33	461	49.500
													n_2 Eck			
													n_2 th			
													M_2 c	0.33	524	56.250
													n_2 Eck			
													n_2 th			

M ... [Nm]
n ... [r/min]
J ... [kgcm²]

P ... [kW]
I ... [A]
i [-]
c [-]



GST [Nm]

GST□□-□S (MCS)

$M_{2GN} \leq 710 \text{ Nm}$

GST07-3S				06CC41	06FC41	06IC41	09DC41	09FC38	09HC41	09LC41
				...500	...500	...500	...500	...500	...500	...500
i	M_{2GN}	J_G	M_1	0.60	1.20	1.50	2.30	3.10	3.80	4.50
			n_1	4050	4050	4050	4050	3750	4050	4050
			I_{M230}	2.6	2.9	3.2	4.6	5.0	6.8	8.4
			I_{M400}	1.3	1.5	1.6	2.3	2.5	3.4	4.2
			P_N	0.25	0.51	0.64	1.00	1.20	1.60	1.90
			J_M	0.17	0.25	0.33	1.13	1.53	1.93	2.83
39.200	692	0.97	M_2					111	138	164
			c				5.0	4.0	3.4	
			$n_{2 \text{ Eck}}$				96	103	103	
			$n_{2 \text{ th}}$				96	103	103	
44.000	706	0.53	M_2					125	155	185
			c				5.0	4.0	3.4	
			$n_{2 \text{ Eck}}$				85	92	92	
			$n_{2 \text{ th}}$				85	92	92	
51.022	700	0.84	M_2				107	146	181	215
			c				5.7	4.3	3.4	2.9
			$n_{2 \text{ Eck}}$				79	74	79	79
			$n_{2 \text{ th}}$				79	74	79	79
53.900	706	0.48	M_2				113	154	191	228
			c				5.4	4.1	3.3	2.8
			$n_{2 \text{ Eck}}$				75	70	75	75
			$n_{2 \text{ th}}$				75	70	75	75
65.079	587	0.31	M_2			89				
			c			5.7				
			$n_{2 \text{ Eck}}$			62				
			$n_{2 \text{ th}}$			62				
65.079	707	0.31	M_2				138	188	232	276
			c				4.5	3.4	2.7	2.3
			$n_{2 \text{ Eck}}$				62	58	62	62
			$n_{2 \text{ th}}$				62	58	62	62
70.156	706	0.43	M_2				149	203	251	298
			c				4.1	3.2	2.5	2.1
			$n_{2 \text{ Eck}}$				58	54	58	58
			$n_{2 \text{ th}}$				58	53	58	58
79.762	710	0.54	M_2			109	170	232	286	340
			c			5.6	3.7	2.8	2.2	1.9
			$n_{2 \text{ Eck}}$			51	51	47	51	51
			$n_{2 \text{ th}}$			51	51	47	51	51
85.983	706	0.40	M_2			118	184	251	309	367
			c			5.2	3.4	2.6	2.1	1.7
			$n_{2 \text{ Eck}}$			47	47	44	47	47
			$n_{2 \text{ th}}$			47	47	44	47	47
97.708	710	0.40	M_2		107	135	210	286	352	418
			c		5.7	4.6	3.0	2.3	1.8	1.5
			$n_{2 \text{ Eck}}$		42	42	42	38	42	42
			$n_{2 \text{ th}}$		41	41	41	38	41	41
111.915	706	0.24	M_2		123	155	242	328	404	480
			c		5.0	4.0	2.6	2.0	1.6	1.3
			$n_{2 \text{ Eck}}$		36	36	36	34	36	36
			$n_{2 \text{ th}}$		36	36	36	34	36	36
127.176	710	0.24	M_2		141	177	276	374	460	546
			c		4.4	3.5	2.3	1.8	1.4	1.2
			$n_{2 \text{ Eck}}$		32	32	32	30	32	32
			$n_{2 \text{ th}}$		32	32	32	29	32	32
139.211	706	0.17	M_2		155	195	303	410	504	598
			c		4.0	3.2	2.1	1.6	1.3	1.1
			$n_{2 \text{ Eck}}$		29	29	29	27	29	29
			$n_{2 \text{ th}}$		29	29	29	27	29	29

$M \dots$ [Nm]
 $n \dots$ [r/min]
 $J \dots$ [kgcm²]

$P \dots$ [kW]
 $I \dots$ [A]
 i [-]
 c [-]



$M_{2GN} \leq 710 \text{ Nm}$

12DC20	12DC41	12HC15	12HC30	12HC35	12LC20	12LC41	GST07-3S			
...500	...500	...500	...500	...500	...500	...500	M_1	J_G	M_{2GN}	i
5.50	4.30	10.00	8.00	7.50	13.50	11.00	n_1			
1950	4050	1500	3000	3525	1950	4050	I_{M230}			
5.2	8.8	7.6	10.5		11.8		I_{M400}			
2.6	4.5	3.8		5.7	5.9	10.2	P_N			
1.10	1.80	1.60	2.50	2.80	2.80	4.70	J_M			
4.12	4.12	7.42	7.42	7.42	10.72	10.72	M_2			
201	157	371	296	278	504	410	c	0.97	692	39.200
3.4	3.5	1.9	2.1	2.1	1.4	1.4	$n_{2 \text{ Eck}}$			
50	103	38	77	90	50	103	$n_{2 \text{ th}}$			
50	103	38	77	90	50	94				
226	176	418	333	312	566	461	M_2			
3.1	3.5	1.7	2.1	2.1	1.2	1.4	c	0.53	706	44.000
44	92	34	68	80	44	92	$n_{2 \text{ Eck}}$			
44	92	34	68	80	44	92	$n_{2 \text{ th}}$			
264	205	485	387	363	658	535	M_2			
2.6	3.0	1.4	1.8	1.8	1.1	1.2	c	0.84	700	51.022
38	79	29	59	69	38	79	$n_{2 \text{ Eck}}$			
38	79	29	59	69	38	68	$n_{2 \text{ th}}$			
279	217	513	409	383	695	566	M_2			
2.5	2.9	1.4	1.7	1.7	1.0	1.1	c	0.48	706	53.900
36	75	28	56	65	36	75	$n_{2 \text{ Eck}}$			
36	75	28	56	65	36	75	$n_{2 \text{ th}}$			
							M_2			
							c	0.31	587	65.079
							$n_{2 \text{ Eck}}$			
							$n_{2 \text{ th}}$			
							M_2			
							c	0.31	707	65.079
							$n_{2 \text{ Eck}}$			
							$n_{2 \text{ th}}$			
365	285	670	535	501			M_2			
1.9	2.2	1.1	1.3	1.3			c	0.43	706	70.156
28	58	21	43	50			$n_{2 \text{ Eck}}$			
28	58	21	43	50			$n_{2 \text{ th}}$			
416	324		609	571			M_2			
1.7	2.0		1.2	1.2			c	0.54	710	79.762
25	51		38	44			$n_{2 \text{ Eck}}$			
24	51		38	44			$n_{2 \text{ th}}$			
449	350		657	616			M_2			
1.6	1.8		1.1	1.1			c	0.40	706	85.983
23	47		35	41			$n_{2 \text{ Eck}}$			
23	47		35	41			$n_{2 \text{ th}}$			
512	399						M_2			
1.4	1.6						c	0.40	710	97.708
20	42						$n_{2 \text{ Eck}}$			
20	41						$n_{2 \text{ th}}$			
							M_2			
							c	0.24	706	111.915
							$n_{2 \text{ Eck}}$			
							$n_{2 \text{ th}}$			
							M_2			
							c	0.24	710	127.176
							$n_{2 \text{ Eck}}$			
							$n_{2 \text{ th}}$			
							M_2			
							c	0.17	706	139.211
							$n_{2 \text{ Eck}}$			
							$n_{2 \text{ th}}$			

M ... [Nm]
n ... [r/min]
J ... [kgcm²]

P ... [kW]
I ... [A]
i [-]
c [-]



GST [Nm]

GST□□-□S (MCS)

$M_{2GN} \leq 710 \text{ Nm}$

GST07-3S				06CC41	06FC41	06IC41	09DC41	09FC38	09HC41	09LC41
				...500	...500	...500	...500	...500	...500	...500
i	M_{2GN}	J_G	M_1	0.60	1.20	1.50	2.30	3.10	3.80	4.50
			n_1	4050	4050	4050	4050	3750	4050	4050
			I_{M230}	2.6	2.9	3.2	4.6	5.0	6.8	8.4
			I_{M400}	1.3	1.5	1.6	2.3	2.5	3.4	4.2
			P_N	0.25	0.51	0.64	1.00	1.20	1.60	1.90
			J_M	0.17	0.25	0.33	1.13	1.53	1.93	2.83
158.194	710	0.17	M_2		177	222	345	467	574	
			c		3.5	2.8	1.9	1.4	1.1	
			n_2 Eck		26	26	26	24	26	
			n_2 th		26	26	26	24	26	
180.156	706	0.11	M_2		202	254				
			c		3.1	2.5				
			n_2 Eck		23	23				
			n_2 th		22	22				
204.722	710	0.11	M_2	112	231	290				
			c	5.5	2.7	2.2				
			n_2 Eck	20	20	20				
			n_2 th	20	20	20				
236.622	706	0.10	M_2	130	268	336				
			c	4.7	2.4	1.9				
			n_2 Eck	17	17	17				
			n_2 th	17	17	17				
248.458	710	0.08	M_2	137	281	353				
			c	4.5	2.3	1.8				
			n_2 Eck	16	16	16				
			n_2 th	16	16	16				
268.889	710	0.10	M_2	149	305	383				
			c	4.2	2.1	1.7				
			n_2 Eck	15	15	15				
			n_2 th	15	15	15				
326.333	710	0.07	M_2	182	371	466				
			c	3.4	1.7	1.4				
			n_2 Eck	12	12	12				
			n_2 th	12	12	12				

$M \dots$ [Nm]
 $n \dots$ [r/min]
 $J \dots$ [kgcm²]

$P \dots$ [kW]
 $I \dots$ [A]
 i [-]
 c [-]

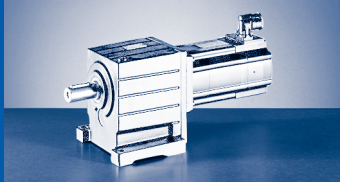


$M_{2GN} \leq 710 \text{ Nm}$

12DC20	12DC41	12HC15	12HC30	12HC35	12LC20	12LC41	GST07-3S			
...500	...500	...500	...500	...500	...500	...500	M_1	J_G	M_{2GN}	i
5.50	4.30	10.00	8.00	7.50	13.50	11.00	n_1			
1950	4050	1500	3000	3525	1950	4050	I_{M230}			
5.2	8.8	7.6	10.5		11.8		I_{M400}			
2.6	4.5	3.8		5.7	5.9	10.2	P_N			
1.10	1.80	1.60	2.50	2.80	2.80	4.70	J_M			
4.12	4.12	7.42	7.42	7.42	10.72	10.72	M_2 c n_2 Eck n_2 th	0.17	710	158.194
							M_2 c n_2 Eck n_2 th	0.11	706	180.156
							M_2 c n_2 Eck n_2 th	0.11	710	204.722
							M_2 c n_2 Eck n_2 th	0.10	706	236.622
							M_2 c n_2 Eck n_2 th	0.08	710	248.458
							M_2 c n_2 Eck n_2 th	0.10	710	268.889
							M_2 c n_2 Eck n_2 th	0.07	710	326.333

M ... [Nm]
n ... [r/min]
J ... [kgcm²]

P ... [kW]
I ... [A]
i [-]
c [-]



GST [Nm]

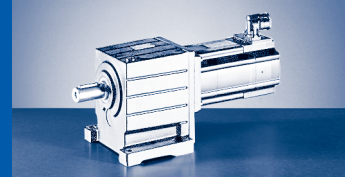
GST□□-□S (MCS)

$M_{2GN} \leq 357 \text{ Nm}$

GST09-1S				12DC20	12DC41	12HC15	12HC30	12HC35	12LC20	12LC41	14DC15	14DC36	14HC15
				...500	...500	...500	...500	...500	...500	...500	...500	...500	...500
i	M_{2GN}	J_G	M_1	5.50	4.30	10.00	8.00	7.50	13.50	11.00	9.20	7.50	16.00
			n_1	1950	4050	1500	3000	3525	1950	4050	1500	3600	1500
			I_{M230}	5.2	8.8	7.6	10.5		11.8				
			I_{M400}	2.6	4.5	3.8		5.7	5.9	10.2	4.5	7.5	6.6
			P_N	1.10	1.80	1.60	2.50	2.80	2.80	4.70	1.45	2.80	2.50
			J_M	4.12	4.12	7.42	7.42	7.42	10.72	10.72	8.22	8.22	14.32
1.560	277	22.20	M_2										
			c										
			$n_{2 \text{ Eck}}$										
			$n_{2 \text{ th}}$										
2.048	198	15.60	M_2										
			c										
			$n_{2 \text{ Eck}}$										
			$n_{2 \text{ th}}$										
2.048	308	15.60	M_2										
			c										
			$n_{2 \text{ Eck}}$										
			$n_{2 \text{ th}}$										
2.333	207	12.20	M_2										35
			c										5.6
			$n_{2 \text{ Eck}}$										643
			$n_{2 \text{ th}}$										643
2.333	322	12.20	M_2										
			c										
			$n_{2 \text{ Eck}}$										
			$n_{2 \text{ th}}$										
2.810	140	9.58	M_2			27	21	20	36	30			
			c			5.0	5.0	5.1	3.4	3.3			
			$n_{2 \text{ Eck}}$			534	1068	1255	694	1442			
			$n_{2 \text{ th}}$			534	1012	1014	694	927			
2.810	218	9.58	M_2										43
			c										4.9
			$n_{2 \text{ Eck}}$										534
			$n_{2 \text{ th}}$										534
2.810	339	9.58	M_2										
			c										
			$n_{2 \text{ Eck}}$										
			$n_{2 \text{ th}}$										
3.444	230	7.30	M_2										53
			c										4.2
			$n_{2 \text{ Eck}}$										436
			$n_{2 \text{ th}}$										435
3.444	357	7.30	M_2										
			c										
			$n_{2 \text{ Eck}}$										
			$n_{2 \text{ th}}$										
4.667	156	4.60	M_2	24	19	45	36	34	61	50			
			c	5.7	5.7	3.4	3.4	3.4	2.3	2.2			
			$n_{2 \text{ Eck}}$	418	868	321	643	755	418	868			
			$n_{2 \text{ th}}$	418	814	321	643	744	418	685			
4.667	243	4.60	M_2								40	33	72
			c								5.8	5.3	3.3
			$n_{2 \text{ Eck}}$								321	771	321
			$n_{2 \text{ th}}$								321	769	321
5.667	162	3.51	M_2	30	23	55	44	41	75	61			
			c	4.8	4.9	2.9	2.9	2.9	2.0	1.9			
			$n_{2 \text{ Eck}}$	344	715	265	529	622	344	715			
			$n_{2 \text{ th}}$	344	715	265	529	622	344	641			

$M \dots$ [Nm]
 $n \dots$ [r/min]
 $J \dots$ [kgcm²]

$P \dots$ [kW]
 $I \dots$ [A]
 $i \dots$ [-]
 $c \dots$ [-]



$M_{2GN} \leq 357 \text{ Nm}$

14HC32	14LC15	14LC32	14PC14	14PC32	19FC14	19FC30	19JC14	19JC30	19PC14	19PC30	GST09-1S			
...S00	...S00	...S00	...S00	...S00	...S00	...S00	...S00	...S00	...S00	...S00	M_1	J_G	M_{2GN}	i
14.00	23.00	17.20	30.00	21.00	27.00	21.00	40.00	29.00	51.00	32.00	n_1			
3225	1500	3225	1350	3225	1425	3000	1425	3000	1350	3000	I_{M230}			
											I_{M400}			
11.9	9.7	15.0	10.8	15.6	8.6	14.0	12.3	18.5	14.3	19.0	P_N			
4.70	3.60	5.80	4.20	7.10	4.00	6.60	6.00	9.10	7.20	10.00	J_M			
14.32	23.44	23.44	34.74	34.82	65.12	65.04	105.04	105.12	160.12	160.04	M_2			
							59	43	76	47	c	22.20	277	1.560
							4.5	4.9	3.5	4.5	$n_{2 \text{ Eck}}$			
							914	1923	865	1923	$n_{2 \text{ th}}$			
							913	1294	865	1267				
27	45	33	59	41							M_2	15.60	198	2.048
5.4	4.3	4.4	3.3	3.6							c			
1575	733	1575	659	1575							$n_{2 \text{ Eck}}$			
1142	733	1094	659	1048							$n_{2 \text{ th}}$			
					52	40	78	57	101	63	M_2	15.60	308	2.048
					5.7	5.8	3.8	4.2	3.0	3.8	c			
					696	1465	696	1465	659	1465	$n_{2 \text{ Eck}}$			
					696	1080	696	1080	659	1058	$n_{2 \text{ th}}$			
31	51	38	68	47							M_2	12.20	207	2.333
5.0	3.9	4.1	3.0	3.3							c			
1382	643	1382	579	1382							$n_{2 \text{ Eck}}$			
1077	643	1032	579	988							$n_{2 \text{ th}}$			
					59	46	90	65	115	72	M_2	12.20	322	2.333
					5.2	5.3	3.5	3.8	2.7	3.5	c			
					611	1286	611	1286	579	1286	$n_{2 \text{ Eck}}$			
					611	947	611	947	579	947	$n_{2 \text{ th}}$			
											M_2	9.58	140	2.810
											c			
											$n_{2 \text{ Eck}}$			
											$n_{2 \text{ th}}$			
37	62	46	82	57							M_2	9.58	218	2.810
4.4	3.4	3.6	2.6	2.9							c			
1148	534	1148	481	1148							$n_{2 \text{ Eck}}$			
984	534	943	481	902							$n_{2 \text{ th}}$			
					72	56	108	78	139	87	M_2	9.58	339	2.810
					4.5	4.6	3.1	3.4	2.4	3.0	c			
					507	1068	507	1068	481	1068	$n_{2 \text{ Eck}}$			
					507	787	507	787	481	787	$n_{2 \text{ th}}$			
46	76	57	100	70							M_2	7.30	230	3.444
3.8	3.0	3.1	2.3	2.5							c			
936	436	936	392	936							$n_{2 \text{ Eck}}$			
845	435	811	392	778							$n_{2 \text{ th}}$			
					89	69	133	97	171	107	M_2	7.30	357	3.444
					3.9	4.0	2.6	2.9	2.1	2.6	c			
					414	871	414	871	392	871	$n_{2 \text{ Eck}}$			
					414	642	414	642	392	642	$n_{2 \text{ th}}$			
											M_2	4.60	156	4.667
											c			
											$n_{2 \text{ Eck}}$			
											$n_{2 \text{ th}}$			
63	104	78	137	96							M_2	4.60	243	4.667
2.9	2.3	2.4	1.8	2.0							c			
691	321	691	289	691							$n_{2 \text{ Eck}}$			
691	321	691	289	666							$n_{2 \text{ th}}$			
											M_2	3.51	162	5.667
											c			
											$n_{2 \text{ Eck}}$			
											$n_{2 \text{ th}}$			

M ... [Nm]
n ... [r/min]
J ... [kgcm²]

P ... [kW]
I ... [A]
i [-]
c [-]



GST [Nm]

GST□□-□S (MCS)

$M_{2GN} \leq 357 \text{ Nm}$

GST09-1S				12DC20	12DC41	12HC15	12HC30	12HC35	12LC20	12LC41	14DC15	14DC36	14HC15
				...500	...500	...500	...500	...500	...500	...500	...500	...500	...500
i	M_{2GN}	J_G	M_1	5.50	4.30	10.00	8.00	7.50	13.50	11.00	9.20	7.50	16.00
			n_1	1950	4050	1500	3000	3525	1950	4050	1500	3600	1500
			I_{M230}	5.2	8.8	7.6	10.5		11.8				
			I_{M400}	2.6	4.5	3.8		5.7	5.9	10.2	4.5	7.5	6.6
			P_N	1.10	1.80	1.60	2.50	2.80	2.80	4.70	1.45	2.80	2.50
			J_M	4.12	4.12	7.42	7.42	7.42	10.72	10.72	8.22	8.22	14.32
5.667	253	3.51	M_2								49	40	88
			c								4.9	4.5	2.8
			$n_{2 \text{ Eck}}$								265	635	265
			$n_{2 \text{ th}}$								265	634	265
7.333	168	2.26	M_2	39	30	71	57	53	97	79			
			c	3.9	3.9	2.3	2.3	2.3	1.6	1.5			
			$n_{2 \text{ Eck}}$	266	552	205	409	481	266	552			
			$n_{2 \text{ th}}$	266	552	205	409	481	266	514			
7.333	262	2.26	M_2								64	53	114
			c								4.0	3.6	2.3
			$n_{2 \text{ Eck}}$								205	491	205
			$n_{2 \text{ th}}$								205	490	205
8.900	170	1.66	M_2	47	37	87	69	65	118	96			
			c	3.2	3.3	1.9	1.9	2.0	1.3	1.3			
			$n_{2 \text{ Eck}}$	219	455	169	337	396	219	455			
			$n_{2 \text{ th}}$	219	455	169	337	396	219	450			
8.900	265	1.66	M_2								79	64	139
			c								3.3	3.0	1.9
			$n_{2 \text{ Eck}}$								169	405	169
			$n_{2 \text{ th}}$								169	403	169
11.250	173	1.11	M_2	60	47	110	88	83	150	122			
			c	2.6	2.6	1.6	1.6	1.6	1.1	1.0			
			$n_{2 \text{ Eck}}$	173	360	133	267	313	173	360			
			$n_{2 \text{ th}}$	173	360	133	267	313	173	360			

M ... [Nm]
 n ... [r/min]
 J ... [kgcm²]

P ... [kW]
 I ... [A]
 i [-]
 c [-]



$M_{2GN} \leq 357 \text{ Nm}$

14HC32	14LC15	14LC32	14PC14	14PC32	19FC14	19FC30	19JC14	19JC30	19PC14	19PC30	GST09-1S			
...S00	...S00	...S00	...S00	...S00	...S00	...S00	...S00	...S00	...S00	...S00	M_1	J_G	M_{2GN}	i
14.00	23.00	17.20	30.00	21.00	27.00	21.00	40.00	29.00	51.00	32.00	n_1			
3225	1500	3225	1350	3225	1425	3000	1425	3000	1350	3000	I_{M230}			
											I_{M400}			
11.9	9.7	15.0	10.8	15.6	8.6	14.0	12.3	18.5	14.3	19.0	P_N			
4.70	3.60	5.80	4.20	7.10	4.00	6.60	6.00	9.10	7.20	10.00	J_M			
14.32	23.44	23.44	34.74	34.82	65.12	65.04	105.04	105.12	160.12	160.04	M_2			
77	127	95	167	116							c	3.51	253	5.667
2.5	2.0	2.0	1.5	1.7							$n_{2 \text{ Eck}}$			
569	265	569	238	569							$n_{2 \text{ th}}$			
569	265	569	238	569							M_2			
											c	2.26	168	7.333
											$n_{2 \text{ Eck}}$			
											$n_{2 \text{ th}}$			
100	165	123	216	151							M_2			
2.0	1.6	1.6	1.2	1.3							c	2.26	262	7.333
440	205	440	184	440							$n_{2 \text{ Eck}}$			
440	205	440	184	440							$n_{2 \text{ th}}$			
											M_2			
											c	1.66	170	8.900
											$n_{2 \text{ Eck}}$			
											$n_{2 \text{ th}}$			
122	201	150	263	184							M_2			
1.7	1.3	1.4	1.0	1.1							c	1.66	265	8.900
362	169	362	152	362							$n_{2 \text{ Eck}}$			
362	169	362	152	362							$n_{2 \text{ th}}$			
											M_2			
											c	1.11	173	11.250
											$n_{2 \text{ Eck}}$			
											$n_{2 \text{ th}}$			

M ... [Nm]
n ... [r/min]
J ... [kgcm²]

P ... [kW]
I ... [A]
i [-]
c [-]



GST [Nm]

GST□□-□S (MCS)

$M_{2GN} \leq 1373 \text{ Nm}$

GST09-2S				12DC20	12DC41	12HC15	12HC30	12HC35	12LC20	12LC41	14DC15	14DC36	14HC15
				...500	...500	...500	...500	...500	...500	...500	...500	...500	...500
i	M_{2GN}	J_G	M_1	5.50	4.30	10.00	8.00	7.50	13.50	11.00	9.20	7.50	16.00
			n_1	1950	4050	1500	3000	3525	1950	4050	1500	3600	1500
			I_{M230}	5.2	8.8	7.6	10.5		11.8				
			I_{M400}	2.6	4.5	3.8		5.7	5.9	10.2	4.5	7.5	6.6
			P_N	1.10	1.80	1.60	2.50	2.80	2.80	4.70	1.45	2.80	2.50
			J_M	4.12	4.12	7.42	7.42	7.42	10.72	10.72	8.22	8.22	14.32
4.056	714	27.00	M_2 c $n_{2 \text{ Eck}}$ $n_{2 \text{ th}}$										
4.457	784	25.90	M_2 c $n_{2 \text{ Eck}}$ $n_{2 \text{ th}}$										
5.324	508	18.10	M_2 c $n_{2 \text{ Eck}}$ $n_{2 \text{ th}}$										
5.324	789	18.10	M_2 c $n_{2 \text{ Eck}}$ $n_{2 \text{ th}}$										
5.850	558	17.50	M_2 c $n_{2 \text{ Eck}}$ $n_{2 \text{ th}}$										
5.850	867	17.50	M_2 c $n_{2 \text{ Eck}}$ $n_{2 \text{ th}}$										
6.667	583	14.20	M_2 c $n_{2 \text{ Eck}}$ $n_{2 \text{ th}}$										99 5.6 225 225
6.667	905	14.20	M_2 c $n_{2 \text{ Eck}}$ $n_{2 \text{ th}}$										
7.305	357	11.30	M_2 c $n_{2 \text{ Eck}}$ $n_{2 \text{ th}}$			68 5.0 205 205	54 5.0 411 389	51 5.1 483 390	93 3.4 267 267	76 3.3 554 357			
7.305	559	11.30	M_2 c $n_{2 \text{ Eck}}$ $n_{2 \text{ th}}$										109 4.9 205 205
7.305	869	11.30	M_2 c $n_{2 \text{ Eck}}$ $n_{2 \text{ th}}$										
8.027	393	11.00	M_2 c $n_{2 \text{ Eck}}$ $n_{2 \text{ th}}$			75 5.0 187 187	60 5.0 374 354	56 5.1 439 355	103 3.4 243 243	84 3.3 505 324			
8.027	615	11.00	M_2 c $n_{2 \text{ Eck}}$ $n_{2 \text{ th}}$										120 4.9 187 187

$M \dots$ [Nm]
 $n \dots$ [r/min]
 $J \dots$ [kgcm²]

$P \dots$ [kW]
 $I \dots$ [A]
 $i \dots$ [-]
 $c \dots$ [-]

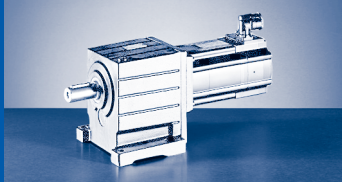


$M_{2GN} \leq 1373 \text{ Nm}$

14HC32	14LC15	14LC32	14PC14	14PC32	19FC14	19FC30	19JC14	19JC30	19PC14	19PC30	GST09-2S			
...S00	...S00	...S00	...S00	...S00	...S00	...S00	...S00	...S00	...S00	...S00	M_1	J_G	M_{2GN}	i
14.00	23.00	17.20	30.00	21.00	27.00	21.00	40.00	29.00	51.00	32.00	n_1			
3225	1500	3225	1350	3225	1425	3000	1425	3000	1350	3000	I_{M230}			
											I_{M400}			
11.9	9.7	15.0	10.8	15.6	8.6	14.0	12.3	18.5	14.3	19.0	P_N			
4.70	3.60	5.80	4.20	7.10	4.00	6.60	6.00	9.10	7.20	10.00	J_M			
14.32	23.44	23.44	34.74	34.82	65.12	65.04	105.04	105.12	160.12	160.04	M_2			
							152	109	195	121	c			
							4.5	5.0	3.6	4.5	$n_{2 \text{ Eck}}$	27.00	714	4.056
							351	740	333	740	$n_{2 \text{ th}}$			
							351	498	333	488	M_2			
							167	120	215	133	c			
							4.5	5.0	3.6	4.5	$n_{2 \text{ Eck}}$	25.90	784	4.457
							320	673	303	673	$n_{2 \text{ th}}$			
							320	454	303	444	M_2			
69	115	86	151	106							c			
5.4	4.3	4.4	3.3	3.6							$n_{2 \text{ Eck}}$	18.10	508	5.324
606	282	606	254	606							$n_{2 \text{ th}}$			
439	282	421	254	403							M_2			
					133	103	201	145	258	161	c			
					5.7	5.8	3.8	4.2	3.0	3.8	$n_{2 \text{ Eck}}$	18.10	789	5.324
					268	564	268	564	254	564	$n_{2 \text{ th}}$			
					268	415	268	415	254	407	M_2			
76	126	94	166	116							c			
5.4	4.3	4.4	3.3	3.6							$n_{2 \text{ Eck}}$	17.50	558	5.850
551	256	551	231	551							$n_{2 \text{ th}}$			
400	256	383	231	367							M_2			
					146	113	220	159	284	176	c			
					5.7	5.8	3.8	4.2	3.0	3.8	$n_{2 \text{ Eck}}$	17.50	867	5.850
					244	513	244	513	231	513	$n_{2 \text{ th}}$			
					244	378	244	378	231	370	M_2			
87	144	108	190	133							c			
5.0	3.9	4.1	3.0	3.3							$n_{2 \text{ Eck}}$	14.20	583	6.667
484	225	484	203	484							$n_{2 \text{ th}}$			
377	225	361	203	346							M_2			
					167	130	252	182	324	202	c			
					5.2	5.3	3.5	3.8	2.7	3.5	$n_{2 \text{ Eck}}$	14.20	905	6.667
					214	450	214	450	203	450	$n_{2 \text{ th}}$			
					214	332	214	332	203	332	M_2			
											c			
											$n_{2 \text{ Eck}}$	11.30	357	7.305
											$n_{2 \text{ th}}$			
96	159	119	209	146							M_2			
4.4	3.4	3.6	2.6	2.9							c			
442	205	442	185	442							$n_{2 \text{ Eck}}$	11.30	559	7.305
379	205	363	185	347							$n_{2 \text{ th}}$			
					184	143	277	201	356	222	M_2			
					4.5	4.6	3.1	3.4	2.4	3.0	c			
					195	411	195	411	185	411	$n_{2 \text{ Eck}}$	11.30	869	7.305
					195	303	195	303	185	303	$n_{2 \text{ th}}$			
											M_2			
											c			
											$n_{2 \text{ Eck}}$	11.00	393	8.027
											$n_{2 \text{ th}}$			
105	175	130	230	160							M_2			
4.4	3.4	3.6	2.6	2.9							c			
402	187	402	168	402							$n_{2 \text{ Eck}}$	11.00	615	8.027
345	187	330	168	316							$n_{2 \text{ th}}$			

$M \dots$ [Nm]
 $n \dots$ [r/min]
 $J \dots$ [kgcm²]

$P \dots$ [kW]
 $I \dots$ [A]
 $i [-]$
 $c [-]$



GST [Nm]

GST□□-□S (MCS)

$M_{2GN} \leq 1373 \text{ Nm}$

GST09-2S				12DC20	12DC41	12HC15	12HC30	12HC35	12LC20	12LC41	14DC15	14DC36	14HC15
				...500	...500	...500	...500	...500	...500	...500	...500	...500	...500
i	M_{2GN}	J_G	M_1	5.50	4.30	10.00	8.00	7.50	13.50	11.00	9.20	7.50	16.00
			n_1	1950	4050	1500	3000	3525	1950	4050	1500	3600	1500
			I_{M230}	5.2	8.8	7.6	10.5		11.8				
			I_{M400}	2.6	4.5	3.8		5.7	5.9	10.2	4.5	7.5	6.6
			P_N	1.10	1.80	1.60	2.50	2.80	2.80	4.70	1.45	2.80	2.50
			J_M	4.12	4.12	7.42	7.42	7.42	10.72	10.72	8.22	8.22	14.32
8.027	955	11.00	M_2 c $n_{2 \text{ Eck}}$ $n_{2 \text{ th}}$										
9.010	860	15.20	M_2 c $n_{2 \text{ Eck}}$ $n_{2 \text{ th}}$										
9.010	1128	15.20	M_2 c $n_{2 \text{ Eck}}$ $n_{2 \text{ th}}$										
10.267	897	12.40	M_2 c $n_{2 \text{ Eck}}$ $n_{2 \text{ th}}$										152 5.6 146 146
10.267	1178	12.40	M_2 c $n_{2 \text{ Eck}}$ $n_{2 \text{ th}}$										
11.667	1019	12.10	M_2 c $n_{2 \text{ Eck}}$ $n_{2 \text{ th}}$										172 5.6 129 129
11.667	1206	12.10	M_2 c $n_{2 \text{ Eck}}$ $n_{2 \text{ th}}$										
12.362	605	9.79	M_2 c $n_{2 \text{ Eck}}$ $n_{2 \text{ th}}$			115 5.0 121 121	92 5.0 243 230	86 5.1 285 230	158 3.4 158 158	129 3.3 328 211			
12.362	947	9.79	M_2 c $n_{2 \text{ Eck}}$ $n_{2 \text{ th}}$										184 4.9 121 121
12.362	1253	9.79	M_2 c $n_{2 \text{ Eck}}$ $n_{2 \text{ th}}$										
14.048	687	9.53	M_2 c $n_{2 \text{ Eck}}$ $n_{2 \text{ th}}$			131 5.0 107 107	105 5.0 214 202	98 5.1 251 203	179 3.4 139 139	146 3.3 288 185			
14.048	1076	9.53	M_2 c $n_{2 \text{ Eck}}$ $n_{2 \text{ th}}$										209 4.9 107 107
14.048	1283	9.53	M_2 c $n_{2 \text{ Eck}}$ $n_{2 \text{ th}}$										

$M \dots$ [Nm]
 $n \dots$ [r/min]
 $J \dots$ [kgcm²]

$P \dots$ [kW]
 $I \dots$ [A]
 i [-]
 c [-]



$M_{2GN} \leq 1373 \text{ Nm}$

14HC32	14LC15	14LC32	14PC14	14PC32	19FC14	19FC30	19JC14	19JC30	19PC14	19PC30	GST09-2S			
...S00	...S00	...S00	...S00	...S00	...S00	...S00	...S00	...S00	...S00	...S00	M_1	J_G	M_{2GN}	i
14.00	23.00	17.20	30.00	21.00	27.00	21.00	40.00	29.00	51.00	32.00	n_1			
3225	1500	3225	1350	3225	1425	3000	1425	3000	1350	3000	I_{M230}			
											I_{M400}			
11.9	9.7	15.0	10.8	15.6	8.6	14.0	12.3	18.5	14.3	19.0	P_N			
4.70	3.60	5.80	4.20	7.10	4.00	6.60	6.00	9.10	7.20	10.00	J_M			
14.32	23.44	23.44	34.74	34.82	65.12	65.04	105.04	105.12	160.12	160.04	M_2			
					203	157	305	220	391	244	c	11.00	955	8.027
					4.5	4.6	3.1	3.4	2.4	3.0	$n_{2 \text{ Eck}}$			
					178	374	178	374	168	374	$n_{2 \text{ th}}$			
					178	275	178	275	168	275				
117	194	145	256	179							M_2			
5.4	4.3	4.4	3.3	3.6							c	15.20	860	9.010
358	167	358	150	358							$n_{2 \text{ Eck}}$			
259	166	249	150	238							$n_{2 \text{ th}}$			
					227	176	342	247	439	273	M_2			
					4.8	4.9	3.2	3.5	2.5	3.2	c	15.20	1128	9.010
					158	333	158	333	150	333	$n_{2 \text{ Eck}}$			
					158	245	158	237	150	232	$n_{2 \text{ th}}$			
134	222	166	293	204							M_2			
5.0	3.9	4.1	3.0	3.3							c	12.40	897	10.267
314	146	314	132	314							$n_{2 \text{ Eck}}$			
245	146	235	131	225							$n_{2 \text{ th}}$			
					260	202	390	282	501	312	M_2			
					4.4	4.5	3.0	3.2	2.3	2.9	c	12.40	1178	10.267
					139	292	139	292	132	292	$n_{2 \text{ Eck}}$			
					139	215	139	215	131	215	$n_{2 \text{ th}}$			
152	253	189	333	232							M_2			
5.0	3.9	4.1	3.0	3.3							c	12.10	1019	11.667
276	129	276	116	276							$n_{2 \text{ Eck}}$			
215	129	206	116	198							$n_{2 \text{ th}}$			
					296	230	445	322	571	356	M_2			
					4.0	4.0	2.7	2.9	2.1	2.6	c	12.10	1206	11.667
					122	257	122	257	116	257	$n_{2 \text{ Eck}}$			
					122	189	122	189	116	188	$n_{2 \text{ th}}$			
											M_2			
											c	9.79	605	12.362
											$n_{2 \text{ Eck}}$			
											$n_{2 \text{ th}}$			
162	269	201	354	247							M_2			
4.4	3.4	3.6	2.6	2.9							c	9.79	947	12.362
261	121	261	109	261							$n_{2 \text{ Eck}}$			
224	121	214	109	205							$n_{2 \text{ th}}$			
					314	244	472	341	605	378	M_2			
					3.9	4.0	2.6	2.9	2.1	2.6	c	9.79	1253	12.362
					115	243	115	243	109	243	$n_{2 \text{ Eck}}$			
					115	179	115	179	109	179	$n_{2 \text{ th}}$			
											M_2			
											c	9.53	687	14.048
											$n_{2 \text{ Eck}}$			
											$n_{2 \text{ th}}$			
184	306	228	402	281							M_2			
4.4	3.4	3.6	2.6	2.9							c	9.53	1076	14.048
230	107	230	96	230							$n_{2 \text{ Eck}}$			
197	107	189	96	180							$n_{2 \text{ th}}$			
					359	279	538	389	689	430	M_2			
					3.5	3.6	2.4	2.6	1.9	2.3	c	9.53	1283	14.048
					101	214	101	214	96	214	$n_{2 \text{ Eck}}$			
					101	157	101	157	96	157	$n_{2 \text{ th}}$			

M ... [Nm]
n ... [r/min]
J ... [kgcm²]

P ... [kW]
I ... [A]
i [-]
c [-]



GST [Nm]

GST□□-□S (MCS)

$M_{2GN} \leq 1373 \text{ Nm}$

GST09-2S				12DC20	12DC41	12HC15	12HC30	12HC35	12LC20	12LC41	14DC15	14DC36	14HC15
				...500	...500	...500	...500	...500	...500	...500	...500	...500	...500
i	M_{2GN}	J_G	M_1	5.50	4.30	10.00	8.00	7.50	13.50	11.00	9.20	7.50	16.00
			n_1	1950	4050	1500	3000	3525	1950	4050	1500	3600	1500
			I_{M230}	5.2	8.8	7.6	10.5		11.8				
			I_{M400}	2.6	4.5	3.8		5.7	5.9	10.2	4.5	7.5	6.6
			P_N	1.10	1.80	1.60	2.50	2.80	2.80	4.70	1.45	2.80	2.50
			J_M	4.12	4.12	7.42	7.42	7.42	10.72	10.72	8.22	8.22	14.32
15.156	996	7.65	M_2										227
			c										4.2
			$n_{2 \text{ Eck}}$										99
			$n_{2 \text{ th}}$										99
15.156	1340	7.65	M_2										
			c										
			$n_{2 \text{ Eck}}$										
			$n_{2 \text{ th}}$										
17.222	1132	7.49	M_2										258
			c										4.2
			$n_{2 \text{ Eck}}$										87
			$n_{2 \text{ th}}$										87
17.222	1373	7.49	M_2										
			c										
			$n_{2 \text{ Eck}}$										
			$n_{2 \text{ th}}$										
20.533	675	4.50	M_2			194	155	145	265	216			
			c			3.4	3.8	3.9	2.5	2.5			
			$n_{2 \text{ Eck}}$			73	146	172	95	197			
			$n_{2 \text{ th}}$			73	146	172	95	160			
20.533	1055	4.50	M_2								174	142	311
			c								5.8	6.0	3.3
			$n_{2 \text{ Eck}}$								73	175	73
			$n_{2 \text{ th}}$								73	175	73
23.333	767	4.41	M_2			221	176	165	301	245			
			c			3.4	3.8	3.9	2.5	2.5			
			$n_{2 \text{ Eck}}$			64	129	151	84	174			
			$n_{2 \text{ th}}$			64	129	151	84	140			
23.333	1199	4.41	M_2								198	161	354
			c								5.8	6.0	3.3
			$n_{2 \text{ Eck}}$								64	154	64
			$n_{2 \text{ th}}$								64	154	64
24.933	703	3.38	M_2	127	99	237	189	177	323	263			
			c	5.3	5.5	2.9	3.3	3.3	2.2	2.2			
			$n_{2 \text{ Eck}}$	78	162	60	120	141	78	162			
			$n_{2 \text{ th}}$	78	162	60	120	141	78	151			
24.933	1096	3.38	M_2								214	174	380
			c								4.9	5.1	2.8
			$n_{2 \text{ Eck}}$								60	144	60
			$n_{2 \text{ th}}$								60	144	60
28.333	799	3.32	M_2	145	113	269	215	201	367	299			
			c	5.3	5.5	2.9	3.3	3.3	2.2	2.2			
			$n_{2 \text{ Eck}}$	69	143	53	106	124	69	143			
			$n_{2 \text{ th}}$	69	143	53	106	124	69	133			
28.333	1245	3.32	M_2								243	197	432
			c								4.9	5.1	2.8
			$n_{2 \text{ Eck}}$								53	127	53
			$n_{2 \text{ th}}$								53	127	53
32.267	729	2.25	M_2	166	130	309	246	231	419	342			
			c	4.2	4.4	2.3	2.6	2.7	1.7	1.7			
			$n_{2 \text{ Eck}}$	60	126	47	93	109	60	126			
			$n_{2 \text{ th}}$	60	126	46	93	109	60	124			

$M \dots$ [Nm]
 $n \dots$ [r/min]
 $J \dots$ [kgcm²]

$P \dots$ [kW]
 $I \dots$ [A]
 $i \dots$ [-]
 $c \dots$ [-]



$M_{2GN} \leq 1373 \text{ Nm}$

14HC32	14LC15	14LC32	14PC14	14PC32	19FC14	19FC30	19JC14	19JC30	19PC14	19PC30	GST09-2S			
...500	...500	...500	...500	...500	...500	...500	...500	...500	...500	...500	M_1	J_G	M_{2GN}	i
14.00	23.00	17.20	30.00	21.00	27.00	21.00	40.00	29.00	51.00	32.00	n_1			
3225	1500	3225	1350	3225	1425	3000	1425	3000	1350	3000	I_{M230}			
											I_{M400}			
11.9	9.7	15.0	10.8	15.6	8.6	14.0	12.3	18.5	14.3	19.0	P_N			
4.70	3.60	5.80	4.20	7.10	4.00	6.60	6.00	9.10	7.20	10.00	J_M			
14.32	23.44	23.44	34.74	34.82	65.12	65.04	105.04	105.12	160.12	160.04	M_2			
199	331	246	435	303							c	7.65	996	15.156
4.3	3.0	3.5	2.3	2.8							$n_{2\text{ Eck}}$			
213	99	213	89	213							$n_{2\text{ th}}$			
197	99	189	89	182										
					387	300	580	418	744	463	M_2			
					3.4	3.9	2.3	2.8	1.8	2.6	c	7.65	1340	15.156
					94	198	94	198	89	198	$n_{2\text{ Eck}}$			
					94	146	94	146	89	146	$n_{2\text{ th}}$			
226	377	280	495	344							M_2			
4.3	3.0	3.5	2.3	2.8							c	7.49	1132	17.222
187	87	187	78	187							$n_{2\text{ Eck}}$			
173	87	166	78	160							$n_{2\text{ th}}$			
					442	342	661	477	847	527	M_2			
					3.0	3.5	2.1	2.6	1.6	2.3	c	7.49	1373	17.222
					83	174	83	174	78	174	$n_{2\text{ Eck}}$			
					83	128	83	128	78	128	$n_{2\text{ th}}$			
											M_2			
											c	4.50	675	20.533
											$n_{2\text{ Eck}}$			
											$n_{2\text{ th}}$			
272	452	337	593	413							M_2			
3.3	2.3	2.7	1.8	2.2							c	4.50	1055	20.533
157	73	157	66	157							$n_{2\text{ Eck}}$			
157	73	157	66	156							$n_{2\text{ th}}$			
											M_2			
											c	4.41	767	23.333
											$n_{2\text{ Eck}}$			
											$n_{2\text{ th}}$			
309	514	383	674	469							M_2			
3.3	2.3	2.7	1.8	2.2							c	4.41	1199	23.333
138	64	138	58	138							$n_{2\text{ Eck}}$			
138	64	138	58	137							$n_{2\text{ th}}$			
											M_2			
											c	3.38	703	24.933
											$n_{2\text{ Eck}}$			
											$n_{2\text{ th}}$			
332	551	410	722	503							M_2			
2.9	2.0	2.3	1.5	1.9							c	3.38	1096	24.933
129	60	129	54	129							$n_{2\text{ Eck}}$			
129	60	129	54	129							$n_{2\text{ th}}$			
											M_2			
											c	3.32	799	28.333
											$n_{2\text{ Eck}}$			
											$n_{2\text{ th}}$			
378	626	466	820	572							M_2			
2.9	2.0	2.3	1.5	1.9							c	3.32	1245	28.333
114	53	114	48	114							$n_{2\text{ Eck}}$			
114	53	114	48	114							$n_{2\text{ th}}$			
											M_2			
											c	2.25	729	32.267
											$n_{2\text{ Eck}}$			
											$n_{2\text{ th}}$			

$M \dots$ [Nm]
 $n \dots$ [r/min]
 $J \dots$ [kgcm²]

$P \dots$ [kW]
 $I \dots$ [A]
 $i [-]$
 $c [-]$



GST [Nm]

GST□□-□S (MCS)

$M_{2GN} \leq 1373 \text{ Nm}$

GST09-2S				12DC20	12DC41	12HC15	12HC30	12HC35	12LC20	12LC41	14DC15	14DC36	14HC15
				...500	...500	...500	...500	...500	...500	...500	...500	...500	...500
i	M_{2GN}	J_G	M_1	5.50	4.30	10.00	8.00	7.50	13.50	11.00	9.20	7.50	16.00
			n_1	1950	4050	1500	3000	3525	1950	4050	1500	3600	1500
			I_{M230}	5.2	8.8	7.6	10.5		11.8				
			I_{M400}	2.6	4.5	3.8		5.7	5.9	10.2	4.5	7.5	6.6
			P_N	1.10	1.80	1.60	2.50	2.80	2.80	4.70	1.45	2.80	2.50
			J_M	4.12	4.12	7.42	7.42	7.42	10.72	10.72	8.22	8.22	14.32
32.267	1136	2.25	M_2								279	227	494
			c								4.0	4.1	2.3
			$n_{2 \text{ Eck}}$								47	112	47
			$n_{2 \text{ th}}$								46	111	46
36.667	829	2.21	M_2	189	148	351	280	262	477	388			
			c	4.2	4.4	2.3	2.6	2.7	1.7	1.7			
			$n_{2 \text{ Eck}}$	53	111	41	82	96	53	111			
			$n_{2 \text{ th}}$	53	110	41	82	96	53	109			
36.667	1291	2.21	M_2								317	258	562
			c								4.0	4.1	2.3
			$n_{2 \text{ Eck}}$								41	98	41
			$n_{2 \text{ th}}$								41	98	41
39.160	738	1.64	M_2	204	159	376	300	281	511	416			
			c	3.5	3.7	1.9	2.2	2.2	1.4	1.4			
			$n_{2 \text{ Eck}}$	50	103	38	77	90	50	103			
			$n_{2 \text{ th}}$	50	103	38	77	90	50	103			
39.160	1150	1.64	M_2								341	278	602
			c								3.3	3.4	1.9
			$n_{2 \text{ Eck}}$								38	92	38
			$n_{2 \text{ th}}$								38	92	38
44.500	839	1.62	M_2	231	180	428	340	319	580	472			
			c	3.5	4.1	1.9	2.4	2.5	1.4	1.6			
			$n_{2 \text{ Eck}}$	44	91	34	67	79	44	91			
			$n_{2 \text{ th}}$	44	91	34	67	79	44	91			
44.500	1307	1.62	M_2								388	314	684
			c								3.3	3.8	1.9
			$n_{2 \text{ Eck}}$								34	81	34
			$n_{2 \text{ th}}$								34	81	34
49.500	748	1.12	M_2	259	202	478	380	357	647	527			
			c	2.8	3.3	1.6	2.0	2.0	1.2	1.3			
			$n_{2 \text{ Eck}}$	39	82	30	61	71	39	82			
			$n_{2 \text{ th}}$	39	82	30	61	71	39	82			
56.250	850	1.10	M_2	294	229	543	432	405	736	599			
			c	2.8	3.3	1.6	2.0	2.0	1.2	1.3			
			$n_{2 \text{ Eck}}$	35	72	27	53	63	35	72			
			$n_{2 \text{ th}}$	35	72	27	53	63	35	72			

M ... [Nm]
 n ... [r/min]
 J ... [kgcm²]

P ... [kW]
 I ... [A]
 i [-]
 c [-]

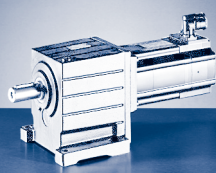


$M_{2GN} \leq 1373 \text{ Nm}$

14HC32	14LC15	14LC32	14PC14	14PC32	19FC14	19FC30	19JC14	19JC30	19PC14	19PC30	GST09-2S			
...S00	...S00	...S00	...S00	...S00	...S00	...S00	...S00	...S00	...S00	...S00	M_1	J_G	M_{2GN}	i
14.00	23.00	17.20	30.00	21.00	27.00	21.00	40.00	29.00	51.00	32.00	n_1			
3225	1500	3225	1350	3225	1425	3000	1425	3000	1350	3000	I_{M230}			
											I_{M400}			
11.9	9.7	15.0	10.8	15.6	8.6	14.0	12.3	18.5	14.3	19.0	P_N			
4.70	3.60	5.80	4.20	7.10	4.00	6.60	6.00	9.10	7.20	10.00	J_M			
14.32	23.44	23.44	34.74	34.82	65.12	65.04	105.04	105.12	160.12	160.04	M_2			
432	716	534	937	654							c	2.25	1136	32.267
2.3	1.6	1.9	1.2	1.5							$n_{2 \text{ Eck}}$			
100	47	100	42	100							$n_{2 \text{ th}}$			
100	46	100	42	100							M_2			
											c	2.21	829	36.667
											$n_{2 \text{ Eck}}$			
											$n_{2 \text{ th}}$			
491	813	606	1065	743							M_2			
2.3	1.6	1.9	1.2	1.5							c	2.21	1291	36.667
88	41	88	37	88							$n_{2 \text{ Eck}}$			
88	41	88	37	88							$n_{2 \text{ th}}$			
											M_2			
											c	1.64	738	39.160
											$n_{2 \text{ Eck}}$			
											$n_{2 \text{ th}}$			
527	871	650	1140	796							M_2			
1.9	1.3	1.6	1.0	1.3							c	1.64	1150	39.160
82	38	82	35	82							$n_{2 \text{ Eck}}$			
82	38	82	34	82							$n_{2 \text{ th}}$			
											M_2			
											c	1.62	839	44.500
											$n_{2 \text{ Eck}}$			
											$n_{2 \text{ th}}$			
598	990	737	1295	903							M_2			
2.1	1.3	1.7	1.0	1.4							c	1.62	1307	44.500
73	34	73	30	73							$n_{2 \text{ Eck}}$			
72	34	72	30	72							$n_{2 \text{ th}}$			
											M_2			
											c	1.12	748	49.500
											$n_{2 \text{ Eck}}$			
											$n_{2 \text{ th}}$			
											M_2			
											c	1.10	850	56.250
											$n_{2 \text{ Eck}}$			
											$n_{2 \text{ th}}$			

M ... [Nm]
n ... [r/min]
J ... [kgcm²]

P ... [kW]
I ... [A]
i [-]
c [-]



GST [Nm]

GST□□-□S (MCS)

$M_{2GN} \leq 1623 \text{ Nm}$

GST09-3S				06FC41	06IC41	09DC41	09FC38	09HC41	09LC41	12DC20	12DC41	12HC15	12HC30
				...500	...500	...500	...500	...500	...500	...500	...500	...500	...500
i	M_{2GN}	J_G	M_1	1.20	1.50	2.30	3.10	3.80	4.50	5.50	4.30	10.00	8.00
			n_1	4050	4050	4050	3750	4050	4050	1950	4050	1500	3000
			I_{M230}	2.9	3.2	4.6	5.0	6.8	8.4	5.2	8.8	7.6	10.5
			I_{M400}	1.5	1.6	2.3	2.5	3.4	4.2	2.6	4.5	3.8	
			P_N	0.51	0.64	1.00	1.20	1.60	1.90	1.10	1.80	1.60	2.50
			J_M	0.25	0.33	1.13	1.53	1.93	2.83	4.12	4.12	7.42	7.42
40.136	964	2.14	M_2					139	166				
			c					5.4	4.6				
			$n_{2 \text{ Eck}}$					101	101				
			$n_{2 \text{ th}}$					101	101				
40.136	1245	2.14	M_2							200		375	298
			c							5.9		3.3	3.7
			$n_{2 \text{ Eck}}$							49		37	75
			$n_{2 \text{ th}}$							49		37	75
40.136	1344	2.14	M_2										
			c										
			$n_{2 \text{ Eck}}$										
			$n_{2 \text{ th}}$										
43.267	892	1.55	M_2					150	180				
			c					5.1	4.3				
			$n_{2 \text{ Eck}}$					94	94				
			$n_{2 \text{ th}}$					94	94				
43.267	1152	1.55	M_2							218	169	406	322
			c							5.1	5.9	2.8	3.5
			$n_{2 \text{ Eck}}$							45	94	35	69
			$n_{2 \text{ th}}$							45	94	35	69
43.267	1290	1.55	M_2										
			c										
			$n_{2 \text{ Eck}}$										
			$n_{2 \text{ th}}$										
49.167	1013	1.53	M_2					171	204				
			c					5.1	4.3				
			$n_{2 \text{ Eck}}$					82	82				
			$n_{2 \text{ th}}$					82	82				
49.167	1310	1.53	M_2							247	192	461	366
			c							5.1	5.9	2.8	3.5
			$n_{2 \text{ Eck}}$							40	82	31	61
			$n_{2 \text{ th}}$							40	82	31	61
49.167	1466	1.53	M_2										
			c										
			$n_{2 \text{ Eck}}$										
			$n_{2 \text{ th}}$										
53.044	1093	1.38	M_2					184	220				
			c					5.1	4.3				
			$n_{2 \text{ Eck}}$					76	76				
			$n_{2 \text{ th}}$					76	76				
53.044	1379	1.38	M_2							267	207	498	395
			c							5.0	5.7	2.7	3.4
			$n_{2 \text{ Eck}}$							37	76	28	57
			$n_{2 \text{ th}}$							37	76	28	57
60.278	1242	1.37	M_2					209	250				
			c					5.1	4.3				
			$n_{2 \text{ Eck}}$					67	67				
			$n_{2 \text{ th}}$					67	67				
60.278	1565	1.37	M_2							304	235	566	449
			c							4.9	5.7	2.7	3.4
			$n_{2 \text{ Eck}}$							32	67	25	50
			$n_{2 \text{ th}}$							32	67	25	50

$M \dots$ [Nm]
 $n \dots$ [r/min]
 $J \dots$ [kgcm²]

$P \dots$ [kW]
 $I \dots$ [A]
 $i \dots$ [-]
 $c \dots$ [-]



$M_{2GN} \leq 1623 \text{ Nm}$

12HC35	12LC20	12LC41	14DC15	14DC36	14HC15	14HC32	14LC15	14LC32	14PC14	14PC32	GST09-3S			
...S00	...S00	...S00	...S00	...S00	...S00	...S00	...S00	...S00	...S00	...S00	M_1	J_G	M_{2GN}	i
7.50	13.50	11.00	9.20	7.50	16.00	14.00	23.00	17.20	30.00	21.00	n_1			
3525	1950	4050	1500	3600	1500	3225	1500	3225	1350	3225	I_{M230}			
	11.8										I_{M400}			
5.7	5.9	10.2	4.5	7.5	6.6	11.9	9.7	15.0	10.8	15.6	P_N			
2.80	2.80	4.70	1.45	2.80	2.50	4.70	3.60	5.80	4.20	7.10	J_M			
7.42	10.72	10.72	8.22	8.22	14.32	14.32	23.44	23.44	34.74	34.82	M_2			
											c			
											$n_{2 \text{ Eck}}$	2.14	964	40.136
											$n_{2 \text{ th}}$			
280	510	416									M_2			
3.7	2.4	2.4									c			
88	49	101									$n_{2 \text{ Eck}}$	2.14	1245	40.136
88	49	101									$n_{2 \text{ th}}$			
			343	279	606	530	877	654	1149	802	M_2			
			3.8	4.0	2.2	2.2	1.5	1.8	1.2	1.5	c			
			37	90	37	80	37	80	34	80	$n_{2 \text{ Eck}}$	2.14	1344	40.136
			37	89	37	80	37	80	34	80	$n_{2 \text{ th}}$			
											M_2			
											c			
											$n_{2 \text{ Eck}}$	1.55	892	43.267
											$n_{2 \text{ th}}$			
302	552	449									M_2			
3.5	2.1	2.3									c			
82	45	94									$n_{2 \text{ Eck}}$	1.55	1152	43.267
81	45	94									$n_{2 \text{ th}}$			
			371	301	655	572	947	705	1240	864	M_2			
			3.4	3.9	2.0	2.2	1.4	1.8	1.0	1.5	c			
			35	83	35	75	35	75	31	75	$n_{2 \text{ Eck}}$	1.55	1290	43.267
			35	83	35	75	35	75	31	75	$n_{2 \text{ th}}$			
											M_2			
											c			
											$n_{2 \text{ Eck}}$	1.53	1013	49.167
											$n_{2 \text{ th}}$			
343	627	510									M_2			
3.5	2.1	2.3									c			
72	40	82									$n_{2 \text{ Eck}}$	1.53	1310	49.167
72	40	82									$n_{2 \text{ th}}$			
			421	342	744	650	1077	802	1409	982	M_2			
			3.4	3.9	2.0	2.2	1.4	1.8	1.0	1.5	c			
			31	73	31	66	31	66	28	66	$n_{2 \text{ Eck}}$	1.53	1466	49.167
			31	73	31	66	31	66	27	66	$n_{2 \text{ th}}$			
											M_2			
											c			
											$n_{2 \text{ Eck}}$	1.38	1093	53.044
											$n_{2 \text{ th}}$			
371	677	550	457	371	805	703	1164	867		1062	M_2			
3.4	2.0	2.2	3.0	3.4	1.7	1.9	1.2	1.5		1.3	c			
67	37	76	28	68	28	61	28	61		61	$n_{2 \text{ Eck}}$	1.38	1379	53.044
66	37	76	28	68	28	61	28	61		61	$n_{2 \text{ th}}$			
											M_2			
											c			
											$n_{2 \text{ Eck}}$	1.37	1242	60.278
											$n_{2 \text{ th}}$			
421	769	625	519	421	915	799	1322	985		1206	M_2			
3.4	2.0	2.2	3.0	3.4	1.7	1.9	1.2	1.5		1.3	c			
59	32	67	25	60	25	54	25	54		54	$n_{2 \text{ Eck}}$	1.37	1565	60.278
58	32	67	25	60	25	54	25	54		54	$n_{2 \text{ th}}$			

$M \dots$ [Nm]
 $n \dots$ [r/min]
 $J \dots$ [kgcm²]

$P \dots$ [kW]
 $I \dots$ [A]
 $i \dots$ [-]
 $c \dots$ [-]



GST [Nm]

GST□□-□S (MCS)

$M_{2GN} \leq 1623 \text{ Nm}$

GST09-3S				06FC41	06IC41	09DC41	09FC38	09HC41	09LC41	12DC20	12DC41	12HC15	12HC30
				...500	...500	...500	...500	...500	...500	...500	...500	...500	...500
i	M_{2GN}	J_G	M_1	1.20	1.50	2.30	3.10	3.80	4.50	5.50	4.30	10.00	8.00
			n_1	4050	4050	4050	3750	4050	4050	1950	4050	1500	3000
			I_{M230}	2.9	3.2	4.6	5.0	6.8	8.4	5.2	8.8	7.6	10.5
			I_{M400}	1.5	1.6	2.3	2.5	3.4	4.2	2.6	4.5	3.8	
			P_N	0.51	0.64	1.00	1.20	1.60	1.90	1.10	1.80	1.60	2.50
			J_M	0.25	0.33	1.13	1.53	1.93	2.83	4.12	4.12	7.42	7.42
71.867	1477	1.17	M_2					250	298	366	284	679	540
			c				5.1	4.3	3.9	4.5	2.2	2.7	
			$n_{2 \text{ Eck}}$				56	56	27	56	21	42	
			$n_{2 \text{ th}}$				56	56	27	56	21	42	
81.667	1584	1.16	M_2					285	340	417	324	772	614
			c				4.8	4.1	3.7	4.3	2.0	2.5	
			$n_{2 \text{ Eck}}$				50	50	24	50	18	37	
			$n_{2 \text{ th}}$				50	50	24	50	18	37	
93.541	1545	0.71	M_2			265	329	392					
			c			5.2	4.1	3.5					
			$n_{2 \text{ Eck}}$			40	43	43					
			$n_{2 \text{ th}}$			40	43	43					
93.541	1613	0.71	M_2							480	373	886	706
			c							3.3	3.8	1.8	2.3
			$n_{2 \text{ Eck}}$							21	43	16	32
			$n_{2 \text{ th}}$							21	43	16	32
99.167	1596	1.07	M_2			281	349	416	510	397	941	749	
			c			5.0	4.0	3.4	3.1	3.5	1.7	2.1	
			$n_{2 \text{ Eck}}$			38	41	41	20	41	15	30	
			$n_{2 \text{ th}}$			38	41	41	20	41	15	30	
113.585	1613	0.65	M_2			237	324	402	478	586	456	1080	861
			c			5.9	4.5	3.5	3.0	2.7	3.1	1.5	1.9
			$n_{2 \text{ Eck}}$			36	33	36	36	17	36	13	26
			$n_{2 \text{ th}}$			36	33	36	36	17	36	13	26
129.074	1612	0.65	M_2			271	371	458	546	669	521	1230	980
			c			5.1	3.9	3.1	2.6	2.4	2.8	1.3	1.6
			$n_{2 \text{ Eck}}$			31	29	31	31	15	31	12	23
			$n_{2 \text{ th}}$			31	29	31	31	15	31	12	23
141.289	1316	0.46	M_2		192								
			c		5.9								
			$n_{2 \text{ Eck}}$		29								
			$n_{2 \text{ th}}$		29								
141.289	1613	0.46	M_2			299	407	503	599	734	571	1348	1075
			c			4.7	3.6	2.8	2.4	2.2	2.5	1.2	1.5
			$n_{2 \text{ Eck}}$			29	27	29	29	14	29	11	21
			$n_{2 \text{ th}}$			29	27	29	29	14	29	11	21
160.556	1495	0.46	M_2		218								
			c		5.9								
			$n_{2 \text{ Eck}}$		25								
			$n_{2 \text{ th}}$		25								
160.556	1623	0.46	M_2			341	465	574	682	836	651	1533	1223
			c			4.2	3.2	2.5	2.1	1.9	2.2	1.1	1.3
			$n_{2 \text{ Eck}}$			25	23	25	25	12	25	9	19
			$n_{2 \text{ th}}$			25	23	25	25	12	25	9	19
182.844	1365	0.30	M_2	199	252								
			c	5.9	4.7								
			$n_{2 \text{ Eck}}$	22	22								
			$n_{2 \text{ th}}$	22	22								
182.844	1613	0.30	M_2			391	532	656	779				
			c			3.6	2.8	2.2	1.9				
			$n_{2 \text{ Eck}}$			22	21	22	22				
			$n_{2 \text{ th}}$			22	21	22	22				

$M \dots$ [Nm]
 $n \dots$ [r/min]
 $J \dots$ [kgcm²]

$P \dots$ [kW]
 $I \dots$ [A]
 $i \dots$ [-]
 $c \dots$ [-]



$M_{2GN} \leq 1623 \text{ Nm}$

12HC35	12LC20	12LC41	14DC15	14DC36	14HC15	14HC32	14LC15	14LC32	14PC14	14PC32	GST09-3S			
...S00	...S00	...S00	...S00	...S00	...S00	...S00	...S00	...S00	...S00	...S00	M_1	J_G	M_{2GN}	i
7.50	13.50	11.00	9.20	7.50	16.00	14.00	23.00	17.20	30.00	21.00	n_1			
3525	1950	4050	1500	3600	1500	3225	1500	3225	1350	3225	I_{M230}			
	11.8										I_{M400}			
5.7	5.9	10.2	4.5	7.5	6.6	11.9	9.7	15.0	10.8	15.6	P_N			
2.80	2.80	4.70	1.45	2.80	2.50	4.70	3.60	5.80	4.20	7.10	J_M			
7.42	10.72	10.72	8.22	8.22	14.32	14.32	23.44	23.44	34.74	34.82	M_2			
506	921	749	623	506	1095	957		1179			c	1.17	1477	71.867
2.7	1.6	1.8	2.3	2.7	1.3	1.5		1.2			$n_{2 \text{ Eck}}$			
49	27	56	21	50	21	45		45			$n_{2 \text{ th}}$			
49	27	56	21	50	21	45		45						
576	1048	853	709	576	1245	1088		1340			M_2			
2.6	1.5	1.7	2.2	2.6	1.3	1.4		1.2			c	1.16	1584	81.667
43	24	50	18	44	18	40		40			$n_{2 \text{ Eck}}$			
43	24	50	18	44	18	39		39			$n_{2 \text{ th}}$			
											M_2			
											c	0.71	1545	93.541
											$n_{2 \text{ Eck}}$			
											$n_{2 \text{ th}}$			
661	1203	978									M_2			
2.3	1.3	1.5									c	0.71	1613	93.541
38	21	43									$n_{2 \text{ Eck}}$			
38	21	43									$n_{2 \text{ th}}$			
702	1276	1038	864	703	1516	1324					M_2			
2.1	1.3	1.4	1.8	2.1	1.1	1.2					c	1.07	1596	99.167
36	20	41	15	36	15	33					$n_{2 \text{ Eck}}$			
36	20	41	15	36	15	33					$n_{2 \text{ th}}$			
807	1464	1191									M_2			
1.9	1.1	1.2									c	0.65	1613	113.585
31	17	36									$n_{2 \text{ Eck}}$			
31	17	36									$n_{2 \text{ th}}$			
919		1356									M_2			
1.7		1.1									c	0.65	1612	129.074
27		31									$n_{2 \text{ Eck}}$			
27		31									$n_{2 \text{ th}}$			
											M_2			
											c	0.46	1316	141.289
											$n_{2 \text{ Eck}}$			
											$n_{2 \text{ th}}$			
1007											M_2			
1.5											c	0.46	1613	141.289
25											$n_{2 \text{ Eck}}$			
25											$n_{2 \text{ th}}$			
											M_2			
											c	0.46	1495	160.556
											$n_{2 \text{ Eck}}$			
											$n_{2 \text{ th}}$			
1147											M_2			
1.3											c	0.46	1623	160.556
22											$n_{2 \text{ Eck}}$			
22											$n_{2 \text{ th}}$			
											M_2			
											c	0.30	1365	182.844
											$n_{2 \text{ Eck}}$			
											$n_{2 \text{ th}}$			
											M_2			
											c	0.30	1613	182.844
											$n_{2 \text{ Eck}}$			
											$n_{2 \text{ th}}$			

$M \dots$ [Nm]
 $n \dots$ [r/min]
 $J \dots$ [kgcm²]

$P \dots$ [kW]
 $I \dots$ [A]
 i [-]
 c [-]



GST [Nm]

GST□□-□S (MCS)

$M_{2GN} \leq 1623 \text{ Nm}$

GST09-3S				06FC41	06IC41	09DC41	09FC38	09HC41	09LC41	12DC20	12DC41	12HC15	12HC30	
				...500	...500	...500	...500	...500	...500	...500	...500	...500	...500	
i	M_{2GN}	J_G	M_1	1.20	1.50	2.30	3.10	3.80	4.50	5.50	4.30	10.00	8.00	
			n_1	4050	4050	4050	3750	4050	4050	1950	4050	1500	3000	
			I_{M230}	2.9	3.2	4.6	5.0	6.8	8.4	5.2	8.8	7.6	10.5	
			I_{M400}	1.5	1.6	2.3	2.5	3.4	4.2	2.6	4.5	3.8		
			P_N	0.51	0.64	1.00	1.20	1.60	1.90	1.10	1.80	1.60	2.50	
			J_M	0.25	0.33	1.13	1.53	1.93	2.83	4.12	4.12	7.42	7.42	
207.778	1551	0.30	M_2	226	286									
			c	5.9	4.7									
			$n_{2 \text{ Eck}}$	20	20									
			$n_{2 \text{ th}}$	19	19									
207.778	1623	0.30	M_2			446	606	747	888					
			c			3.2	2.5	2.0	1.6					
			$n_{2 \text{ Eck}}$			20	18	20	20					
			$n_{2 \text{ th}}$			19	18	19	19					
236.622	1613	0.28	M_2	259	327	510	693	853	1013					
			c	5.4	4.3	2.8	2.1	1.7	1.4					
			$n_{2 \text{ Eck}}$	17	17	17	16	17	17					
			$n_{2 \text{ th}}$	17	17	17	16	17	17					
252.167	1569	0.21	M_2	277	350									
			c	4.9	3.9									
			$n_{2 \text{ Eck}}$	16	16									
			$n_{2 \text{ th}}$	16	16									
252.167	1623	0.21	M_2			545	739	910	1080					
			c			2.7	2.0	1.6	1.4					
			$n_{2 \text{ Eck}}$			16	15	16	16					
			$n_{2 \text{ th}}$			16	15	16	16					
268.889	1623	0.28	M_2	296	374	582	789	971	1153					
			c	4.8	3.8	2.5	1.9	1.5	1.3					
			$n_{2 \text{ Eck}}$	15	15	15	14	15	15					
			$n_{2 \text{ th}}$	15	15	15	14	15	15					
326.333	1623	0.20	M_2	363	457	709	961	1182	1403					
			c	3.9	3.1	2.1	1.6	1.2	1.1					
			$n_{2 \text{ Eck}}$	12	12	12	12	12	12					
			$n_{2 \text{ th}}$	12	12	12	11	12	12					
363.000	1613	0.26	M_2	405	511									
			c	3.5	2.8									
			$n_{2 \text{ Eck}}$	11	11									
			$n_{2 \text{ th}}$	11	11									
412.500	1623	0.18	M_2	463	582									
			c	3.1	2.5									
			$n_{2 \text{ Eck}}$	10	10									
			$n_{2 \text{ th}}$	10	10									

M ... [Nm]
 n ... [r/min]
 J ... [kgcm²]

P ... [kW]
 I ... [A]
 i [-]
 c [-]



$M_{2GN} \leq 1623 \text{ Nm}$

12HC35	12LC20	12LC41	14DC15	14DC36	14HC15	14HC32	14LC15	14LC32	14PC14	14PC32	GST09-3S			
...S00	...S00	...S00	...S00	...S00	...S00	...S00	...S00	...S00	...S00	...S00	M_1	J_G	M_{2GN}	i
7.50	13.50	11.00	9.20	7.50	16.00	14.00	23.00	17.20	30.00	21.00	n_1			
3525	1950	4050	1500	3600	1500	3225	1500	3225	1350	3225	I_{M230}			
	11.8										I_{M400}			
5.7	5.9	10.2	4.5	7.5	6.6	11.9	9.7	15.0	10.8	15.6	P_N			
2.80	2.80	4.70	1.45	2.80	2.50	4.70	3.60	5.80	4.20	7.10	J_M			
7.42	10.72	10.72	8.22	8.22	14.32	14.32	23.44	23.44	34.74	34.82	M_2			
											c	0.30	1551	207.778
											$n_{2 \text{ Eck}}$			
											$n_{2 \text{ th}}$			
											M_2	0.30	1623	207.778
											c			
											$n_{2 \text{ Eck}}$			
											$n_{2 \text{ th}}$			
											M_2	0.28	1613	236.622
											c			
											$n_{2 \text{ Eck}}$			
											$n_{2 \text{ th}}$			
											M_2	0.21	1569	252.167
											c			
											$n_{2 \text{ Eck}}$			
											$n_{2 \text{ th}}$			
											M_2	0.21	1623	252.167
											c			
											$n_{2 \text{ Eck}}$			
											$n_{2 \text{ th}}$			
											M_2	0.28	1623	268.889
											c			
											$n_{2 \text{ Eck}}$			
											$n_{2 \text{ th}}$			
											M_2	0.20	1623	326.333
											c			
											$n_{2 \text{ Eck}}$			
											$n_{2 \text{ th}}$			
											M_2	0.26	1613	363.000
											c			
											$n_{2 \text{ Eck}}$			
											$n_{2 \text{ th}}$			
											M_2	0.18	1623	412.500
											c			
											$n_{2 \text{ Eck}}$			
											$n_{2 \text{ th}}$			

M ... [Nm]
n ... [r/min]
J ... [kgcm²]

P ... [kW]
I ... [A]
i [-]
c [-]



GST [Nm]

GST□□-□S (MCS)

$M_{2GN} \leq 2396 \text{ Nm}$

GST11-2S				14DC15	14DC36	14HC15	14HC32	14LC15	14LC32	14PC14
				...500	...500	...500	...500	...500	...500	...500
i	M_{2GN}	J_G	M_1							
			n_1	9.20	7.50	16.00	14.00	23.00	17.20	30.00
			I_{M400}	4.5	7.5	6.6	11.9	9.7	15.0	10.8
			P_N	1.45	2.80	2.50	4.70	3.60	5.80	4.20
			J_M	8.22	8.22	14.32	14.32	23.44	23.44	34.74
4.056	888	82.20	M_2 c $n_{2 \text{ Eck}}$ $n_{2 \text{ th}}$							
4.457	976	79.00	M_2 c $n_{2 \text{ Eck}}$ $n_{2 \text{ th}}$							
5.324	982	55.40	M_2 c $n_{2 \text{ Eck}}$ $n_{2 \text{ th}}$							
5.850	1080	53.50	M_2 c $n_{2 \text{ Eck}}$ $n_{2 \text{ th}}$							
6.400	1118	45.70	M_2 c $n_{2 \text{ Eck}}$ $n_{2 \text{ th}}$							
6.864	1502	67.50	M_2 c $n_{2 \text{ Eck}}$ $n_{2 \text{ th}}$							
7.800	1707	65.10	M_2 c $n_{2 \text{ Eck}}$ $n_{2 \text{ th}}$							
9.010	1663	46.80	M_2 c $n_{2 \text{ Eck}}$ $n_{2 \text{ th}}$							
9.856	1721	40.20	M_2 c $n_{2 \text{ Eck}}$ $n_{2 \text{ th}}$							
11.200	1956	39.00	M_2 c $n_{2 \text{ Eck}}$ $n_{2 \text{ th}}$							
12.571	1191	29.40	M_2 c $n_{2 \text{ Eck}}$ $n_{2 \text{ th}}$				163 5.4 257 186	271 4.2 119 119	202 4.4 257 178	357 3.3 107 107
12.571	1849	29.40	M_2 c $n_{2 \text{ Eck}}$ $n_{2 \text{ th}}$							
14.286	1353	28.70	M_2 c $n_{2 \text{ Eck}}$ $n_{2 \text{ th}}$				185 5.4 226 164	308 4.2 105 105	230 4.4 226 157	406 3.3 95 95

$M \dots$ [Nm]
 $n \dots$ [r/min]
 $J \dots$ [kgcm²]

$P \dots$ [kW]
 $I \dots$ [A]
 i [-]
 c [-]



$M_{2GN} \leq 2396 \text{ Nm}$

14PC32	19FC14	19FC30	19JC14	19JC30	19PC14	19PC30	GST11-2S			
...500	...500	...500	...500	...500	...500	...500	M_1	J_G	M_{2GN}	i
21.00	27.00	21.00	40.00	29.00	51.00	32.00	n_1			
3225	1425	3000	1425	3000	1350	3000	I_{M400}			
15.6	8.6	14.0	12.3	18.5	14.3	19.0	P_N			
7.10	4.00	6.60	6.00	9.10	7.20	10.00	J_M			
34.82	65.12	65.04	105.04	105.12	160.12	160.04	M_2			
			150		194	120	c			
			5.6		4.4	5.6	$n_{2 \text{ Eck}}$	82.20	888	4.056
			351		333	740	$n_{2 \text{ th}}$			
			351		333	428				
			165		213	132	M_2			
			5.6		4.4	5.6	c	79.00	976	4.457
			320		303	673	$n_{2 \text{ Eck}}$			
			320		303	390	$n_{2 \text{ th}}$			
			199	143	256	159	M_2			
			4.8	5.2	3.7	4.7	c	55.40	982	5.324
			268	564	254	564	$n_{2 \text{ Eck}}$			
			268	374	254	365	$n_{2 \text{ th}}$			
			218	157	281	175	M_2			
			4.8	5.2	3.7	4.7	c	53.50	1080	5.850
			244	513	231	513	$n_{2 \text{ Eck}}$			
			244	340	231	333	$n_{2 \text{ th}}$			
			239	173	308	192	M_2			
			4.5	4.9	3.5	4.5	c	45.70	1118	6.400
			223	469	211	469	$n_{2 \text{ Eck}}$			
			223	316	211	310	$n_{2 \text{ th}}$			
			254		328	203	M_2			
			5.6		4.4	5.6	c	67.50	1502	6.864
			208		197	437	$n_{2 \text{ Eck}}$			
			208		197	253	$n_{2 \text{ th}}$			
			288		372	231	M_2			
			5.6		4.4	5.6	c	65.10	1707	7.800
			183		173	385	$n_{2 \text{ Eck}}$			
			183		173	223	$n_{2 \text{ th}}$			
			336	243	433	269	M_2			
			4.8	5.2	3.7	4.7	c	46.80	1663	9.010
			158	333	150	333	$n_{2 \text{ Eck}}$			
			158	221	150	216	$n_{2 \text{ th}}$			
			369	266	475	295	M_2			
			4.5	4.9	3.5	4.5	c	40.20	1721	9.856
			145	304	137	304	$n_{2 \text{ Eck}}$			
			145	205	137	201	$n_{2 \text{ th}}$			
			419	302	540	335	M_2			
			4.5	4.9	3.5	4.5	c	39.00	1956	11.200
			127	268	121	268	$n_{2 \text{ Eck}}$			
			127	181	121	177	$n_{2 \text{ th}}$			
249							M_2			
3.6							c	29.40	1191	12.571
257							$n_{2 \text{ Eck}}$			
171							$n_{2 \text{ th}}$			
	314	244	474	342	609	379	M_2			
	5.6	5.7	3.8	4.2	3.0	3.8	c	29.40	1849	12.571
	113	239	113	239	107	239	$n_{2 \text{ Eck}}$			
	113	176	113	176	107	173	$n_{2 \text{ th}}$			
283							M_2			
3.6							c	28.70	1353	14.286
226							$n_{2 \text{ Eck}}$			
150							$n_{2 \text{ th}}$			

M ... [Nm]
n ... [r/min]
J ... [kgcm²]

P ... [kW]
I ... [A]
i [-]
c [-]



GST [Nm]

GST□□-□S (MCS)

$M_{2GN} \leq 2396 \text{ Nm}$

GST11-2S				14DC15	14DC36	14HC15	14HC32	14LC15	14LC32	14PC14
				...500	...500	...500	...500	...500	...500	...500
i	M_{2GN}	J_G	M_1	9.20	7.50	16.00	14.00	23.00	17.20	30.00
			n_1	1500	3600	1500	3225	1500	3225	1350
			I_{M400}	4.5	7.5	6.6	11.9	9.7	15.0	10.8
			P_N	1.45	2.80	2.50	4.70	3.60	5.80	4.20
			J_M	8.22	8.22	14.32	14.32	23.44	23.44	34.74
14.286	2101	28.70	M_2 c $n_{2 \text{ Eck}}$ $n_{2 \text{ th}}$							
15.400	1947	23.00	M_2 c $n_{2 \text{ Eck}}$ $n_{2 \text{ th}}$							
17.500	2212	22.50	M_2 c $n_{2 \text{ Eck}}$ $n_{2 \text{ th}}$							
20.289	1323	14.30	M_2 c $n_{2 \text{ Eck}}$ $n_{2 \text{ th}}$			305 4.2 74 74	266 4.2 159 147	444 2.9 74 74	330 3.4 159 141	583 2.2 67 67
20.289	2057	14.30	M_2 c $n_{2 \text{ Eck}}$ $n_{2 \text{ th}}$							
23.056	1503	14.10	M_2 c $n_{2 \text{ Eck}}$ $n_{2 \text{ th}}$			346 4.2 65 65	303 4.2 140 129	504 2.9 65 65	375 3.4 140 124	662 2.2 59 59
23.056	2338	14.10	M_2 c $n_{2 \text{ Eck}}$ $n_{2 \text{ th}}$							
24.933	1357	10.60	M_2 c $n_{2 \text{ Eck}}$ $n_{2 \text{ th}}$			377 3.5 60 60	330 3.5 129 129	548 2.4 60 60	408 2.9 129 129	719 1.9 54 54
24.933	2108	10.60	M_2 c $n_{2 \text{ Eck}}$ $n_{2 \text{ th}}$							
28.333	1542	10.40	M_2 c $n_{2 \text{ Eck}}$ $n_{2 \text{ th}}$			428 3.5 53 53	375 3.5 114 114	623 2.4 53 53	464 2.9 114 114	817 1.9 48 48
28.333	2396	10.40	M_2 c $n_{2 \text{ Eck}}$ $n_{2 \text{ th}}$							
32.267	1407	7.04	M_2 c $n_{2 \text{ Eck}}$ $n_{2 \text{ th}}$	276 4.9 47 46	225 5.1 112 111	492 2.8 47 46	430 2.8 100 100	713 2.0 47 46	531 2.3 100 100	934 1.5 42 42
36.667	1598	6.93	M_2 c $n_{2 \text{ Eck}}$ $n_{2 \text{ th}}$	314 4.9 41 41	256 5.1 98 98	559 2.8 41 41	489 2.8 88 88	810 2.0 41 41	604 2.3 88 88	1062 1.5 37 37

$M \dots$ [Nm]
 $n \dots$ [r/min]
 $J \dots$ [kgcm²]

$P \dots$ [kW]
 $I \dots$ [A]
 i [-]
 c [-]



$M_{2GN} \leq 2396 \text{ Nm}$

14PC32	19FC14	19FC30	19JC14	19JC30	19PC14	19PC30	GST11-2S			
...500	...500	...500	...500	...500	...500	...500	M_1	J_G	M_{2GN}	i
21.00	27.00	21.00	40.00	29.00	51.00	32.00	n_1			
3225	1425	3000	1425	3000	1350	3000	I_{M400}			
15.6	8.6	14.0	12.3	18.5	14.3	19.0	P_N			
7.10	4.00	6.60	6.00	9.10	7.20	10.00	J_M			
34.82	65.12	65.04	105.04	105.12	160.12	160.04	M_2			
	356	277	538	389	693	431	c	28.70	2101	14.286
	5.6	5.7	3.8	4.2	3.0	3.8	$n_{2 \text{ Eck}}$			
	100	210	100	210	95	210	$n_{2 \text{ th}}$			
	100	155	100	155	95	152				
	388	299	584	420	750	465	M_2	23.00	1947	15.400
	4.8	5.6	3.3	4.1	2.6	3.7	c			
	93	195	93	195	88	195	$n_{2 \text{ Eck}}$			
	93	144	93	144	88	144	$n_{2 \text{ th}}$			
	440	340	663	477	852	528	M_2	22.50	2212	17.500
	4.8	5.6	3.3	4.1	2.6	3.7	c			
	81	171	81	171	77	171	$n_{2 \text{ Eck}}$			
	81	126	81	126	77	126	$n_{2 \text{ th}}$			
406							M_2	14.30	1323	20.289
2.8							c			
159							$n_{2 \text{ Eck}}$			
136							$n_{2 \text{ th}}$			
	516	399	774	558	993	617	M_2	14.30	2057	20.289
	3.9	4.5	2.6	3.3	2.1	3.0	c			
	70	148	70	148	67	148	$n_{2 \text{ Eck}}$			
	70	109	70	109	67	109	$n_{2 \text{ th}}$			
461							M_2	14.10	1503	23.056
2.8							c			
140							$n_{2 \text{ Eck}}$			
119							$n_{2 \text{ th}}$			
	586	453	880	634	1128	701	M_2	14.10	2338	23.056
	3.9	4.5	2.6	3.3	2.1	3.0	c			
	62	130	62	130	59	130	$n_{2 \text{ Eck}}$			
	62	96	62	96	59	96	$n_{2 \text{ th}}$			
501							M_2	10.60	1357	24.933
2.4							c			
129							$n_{2 \text{ Eck}}$			
125							$n_{2 \text{ th}}$			
	638	494	956	689	1225	762	M_2	10.60	2108	24.933
	3.2	3.7	2.2	2.7	1.7	2.5	c			
	57	120	57	120	54	120	$n_{2 \text{ Eck}}$			
	57	89	57	89	54	89	$n_{2 \text{ th}}$			
569							M_2	10.40	1542	28.333
2.4							c			
114							$n_{2 \text{ Eck}}$			
110							$n_{2 \text{ th}}$			
	725	561	1086	783	1392	866	M_2	10.40	2396	28.333
	3.2	3.7	2.2	2.7	1.7	2.5	c			
	50	106	50	106	48	106	$n_{2 \text{ Eck}}$			
	50	78	50	78	48	78	$n_{2 \text{ th}}$			
651							M_2	7.04	1407	32.267
1.9							c			
100							$n_{2 \text{ Eck}}$			
100							$n_{2 \text{ th}}$			
740							M_2	6.93	1598	36.667
1.9							c			
88							$n_{2 \text{ Eck}}$			
88							$n_{2 \text{ th}}$			

M ... [Nm]
n ... [r/min]
J ... [kgcm²]

P ... [kW]
I ... [A]
i [-]
c [-]



GST [Nm]

GST□□-□S (MCS)

$M_{2GN} \leq 2396 \text{ Nm}$

GST11-2S				14DC15	14DC36	14HC15	14HC32	14LC15	14LC32	14PC14
				...500	...500	...500	...500	...500	...500	...500
i	M_{2GN}	J_G	M_1	9.20	7.50	16.00	14.00	23.00	17.20	30.00
			n_1	1500	3600	1500	3225	1500	3225	1350
			I_{M400}	4.5	7.5	6.6	11.9	9.7	15.0	10.8
			P_N	1.45	2.80	2.50	4.70	3.60	5.80	4.20
			J_M	8.22	8.22	14.32	14.32	23.44	23.44	34.74
39.160	1424	5.15	M_2	338	275	599	524	868	647	1137
			c	4.1	4.2	2.3	2.4	1.6	1.9	1.3
			$n_{2 \text{ Eck}}$	38	92	38	82	38	82	35
			$n_{2 \text{ th}}$	38	92	38	82	38	82	34
			M_2	385	311	681	594	987	734	1292
44.500	1618	5.08	c	4.1	4.7	2.3	2.6	1.6	2.1	1.3
			$n_{2 \text{ Eck}}$	34	81	34	73	34	73	30
			$n_{2 \text{ th}}$	34	81	34	72	34	72	30
			M_2	432	350	761	665	1101	820	1441
			c	3.3	3.8	1.9	2.1	1.3	1.7	1.0
49.500	1441	3.52	$n_{2 \text{ Eck}}$	30	73	30	65	30	65	27
			$n_{2 \text{ th}}$	30	73	30	65	30	65	27
			M_2	490	398	865	755	1251	932	1637
			c	3.3	3.8	1.9	2.1	1.3	1.7	1.0
			$n_{2 \text{ Eck}}$	27	64	27	57	27	57	24
56.250	1637	3.44	$n_{2 \text{ th}}$	27	64	27	57	27	57	24

$M \dots$ [Nm]
 $n \dots$ [r/min]
 $J \dots$ [kgcm²]

$P \dots$ [kW]
 $I \dots$ [A]
 i [-]
 c [-]



$M_{2GN} \leq 2396 \text{ Nm}$

14PC32	19FC14	19FC30	19JC14	19JC30	19PC14	19PC30	GST11-2S			
...S00	...S00	...S00	...S00	...S00	...S00	...S00	M_1	J_G	M_{2GN}	i
21.00	27.00	21.00	40.00	29.00	51.00	32.00	n_1			
3225	1425	3000	1425	3000	1350	3000	I_{M400}			
15.6	8.6	14.0	12.3	18.5	14.3	19.0	P_N			
7.10	4.00	6.60	6.00	9.10	7.20	10.00	J_M			
34.82	65.12	65.04	105.04	105.12	160.12	160.04	M_2			
793							c			
1.6							$n_{2 \text{ Eck}}$	5.15	1424	39.160
82							$n_{2 \text{ th}}$			
82							M_2			
900							c			
1.7							$n_{2 \text{ Eck}}$	5.08	1618	44.500
73							$n_{2 \text{ th}}$			
72							M_2			
1004							c			
1.4							$n_{2 \text{ Eck}}$	3.52	1441	49.500
65							$n_{2 \text{ th}}$			
65							M_2			
1141							c			
1.4							$n_{2 \text{ Eck}}$	3.44	1637	56.250
57							$n_{2 \text{ th}}$			
57										

M ... [Nm]
n ... [r/min]
J ... [kgcm²]

P ... [kW]
I ... [A]
i [-]
c [-]



GST [Nm]

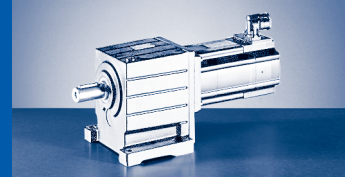
GST□□-□S (MCS)

$M_{2GN} \leq 2848 \text{ Nm}$

GST11-3S				09DC41	09FC38	09HC41	09LC41	12DC20	12DC41	12HC15	12HC30	12HC35
				...500	...500	...500	...500	...500	...500	...500	...500	...500
i	M_{2GN}	J_G	M_1	2.30	3.10	3.80	4.50	5.50	4.30	10.00	8.00	7.50
			n_1	4050	3750	4050	4050	1950	4050	1500	3000	3525
			I_{M230}	4.6	5.0	6.8	8.4	5.2	8.8	7.6	10.5	
			I_{M400}	2.3	2.5	3.4	4.2	2.6	4.5	3.8		5.7
			P_N	1.00	1.20	1.60	1.90	1.10	1.80	1.60	2.50	2.80
			J_M	1.13	1.53	1.93	2.83	4.12	4.12	7.42	7.42	7.42
40.816	1216	6.36	M_2 c $n_{2 \text{ Eck}}$ $n_{2 \text{ th}}$				167 5.7 99 99					
40.816	1565	6.36	M_2 c $n_{2 \text{ Eck}}$ $n_{2 \text{ th}}$							378 4.0 37 37	301 4.5 74 74	282 4.6 86 86
40.816	2165	6.36	M_2 c $n_{2 \text{ Eck}}$ $n_{2 \text{ th}}$									
44.000	1687	5.66	M_2 c $n_{2 \text{ Eck}}$ $n_{2 \text{ th}}$							407 4.0 34 34	322 5.0 68 68	302 5.1 80 80
44.000	2334	5.66	M_2 c $n_{2 \text{ Eck}}$ $n_{2 \text{ th}}$									
50.000	1917	5.60	M_2 c $n_{2 \text{ Eck}}$ $n_{2 \text{ th}}$							463 4.0 30 30	366 5.0 60 60	343 5.1 71 71
50.000	2652	5.60	M_2 c $n_{2 \text{ Eck}}$ $n_{2 \text{ th}}$									
57.968	2222	4.77	M_2 c $n_{2 \text{ Eck}}$ $n_{2 \text{ th}}$							537 4.0 26 26	425 5.0 52 52	398 5.1 61 61
57.968	2577	4.77	M_2 c $n_{2 \text{ Eck}}$ $n_{2 \text{ th}}$									
61.250	2017	4.08	M_2 c $n_{2 \text{ Eck}}$ $n_{2 \text{ th}}$							570 3.5 25 24	452 4.3 49 49	424 4.4 58 58
61.250	2725	4.08	M_2 c $n_{2 \text{ Eck}}$ $n_{2 \text{ th}}$									
71.011	2339	3.52	M_2 c $n_{2 \text{ Eck}}$ $n_{2 \text{ th}}$							661 3.5 21 21	524 4.3 42 42	491 4.4 50 50
71.011	2637	3.52	M_2 c $n_{2 \text{ Eck}}$ $n_{2 \text{ th}}$									

$M \dots$ [Nm]
 $n \dots$ [r/min]
 $J \dots$ [kgcm²]

$P \dots$ [kW]
 $I \dots$ [A]
 i [-]
 c [-]



$M_{2GN} \leq 2848 \text{ Nm}$

12LC20	12LC41	14DC15	14DC36	14HC15	14HC32	14LC15	14LC32	14PC14	14PC32	GST11-3S			
...500	...500	...500	...500	...500	...500	...500	...500	...500	...500	M_1	J_G	M_{2GN}	i
13.50	11.00	9.20	7.50	16.00	14.00	23.00	17.20	30.00	21.00	n_1			
1950	4050	1500	3600	1500	3225	1500	3225	1350	3225	I_{M230}			
11.8										I_{M400}			
5.9	10.2	4.5	7.5	6.6	11.9	9.7	15.0	10.8	15.6	P_N			
2.80	4.70	1.45	2.80	2.50	4.70	3.60	5.80	4.20	7.10	J_M			
10.72	10.72	8.22	8.22	14.32	14.32	23.44	23.44	34.74	34.82	M_2			
										c			
										$n_{2 \text{ Eck}}$	6.36	1216	40.816
										$n_{2 \text{ th}}$			
516	420									M_2			
3.0	3.0									c			
48	99									$n_{2 \text{ Eck}}$	6.36	1565	40.816
48	99									$n_{2 \text{ th}}$			
				608	532	884	658	1160	808	M_2			
				3.5	3.5	2.4	2.8	1.9	2.3	c			
				37	79	37	79	33	79	$n_{2 \text{ Eck}}$	6.36	2165	40.816
				37	79	37	79	33	79	$n_{2 \text{ th}}$			
556	451									M_2			
3.0	3.3									c			
44	92									$n_{2 \text{ Eck}}$	5.66	1687	44.000
44	92									$n_{2 \text{ th}}$			
				655	571	953	707	1250	868	M_2			
				3.5	3.9	2.4	3.2	1.9	2.6	c			
				34	73	34	73	31	73	$n_{2 \text{ Eck}}$	5.66	2334	44.000
				34	73	34	73	31	73	$n_{2 \text{ th}}$			
632	513									M_2			
3.0	3.3									c			
39	81									$n_{2 \text{ Eck}}$	5.60	1917	50.000
39	81									$n_{2 \text{ th}}$			
				745	649	1083	803	1421	987	M_2			
				3.5	3.9	2.4	3.2	1.9	2.6	c			
				30	65	30	65	27	65	$n_{2 \text{ Eck}}$	5.60	2652	50.000
				30	65	30	65	27	65	$n_{2 \text{ th}}$			
732	595									M_2			
3.0	3.3									c			
34	70									$n_{2 \text{ Eck}}$	4.77	2222	57.968
34	70									$n_{2 \text{ th}}$			
		488	394	869	757	1261	937	1652	1149	M_2			
		5.1	5.8	2.9	3.2	2.0	2.6	1.6	2.2	c			
		26	62	26	56	26	56	23	56	$n_{2 \text{ Eck}}$	4.77	2577	57.968
		26	62	26	56	26	56	23	56	$n_{2 \text{ th}}$			
777	632									M_2			
2.6	2.8									c			
32	66									$n_{2 \text{ Eck}}$	4.08	2017	61.250
32	66									$n_{2 \text{ th}}$			
		516	417	918	800	1332	989	1746	1214	M_2			
		5.1	5.8	2.9	3.3	2.0	2.6	1.6	2.2	c			
		25	59	25	53	25	53	22	53	$n_{2 \text{ Eck}}$	4.08	2725	61.250
		24	59	24	53	24	53	22	53	$n_{2 \text{ th}}$			
901	732									M_2			
2.6	2.8									c			
28	57									$n_{2 \text{ Eck}}$	3.52	2339	71.011
27	57									$n_{2 \text{ th}}$			
		603	488	1070	933	1550	1153	2030	1413	M_2			
		4.2	4.9	2.4	2.7	1.7	2.2	1.3	1.8	c			
		21	51	21	45	21	45	19	45	$n_{2 \text{ Eck}}$	3.52	2637	71.011
		21	51	21	45	21	45	19	45	$n_{2 \text{ th}}$			

M ... [Nm]
n ... [r/min]
J ... [kgcm²]

P ... [kW]
I ... [A]
i [-]
c [-]



GST [Nm]

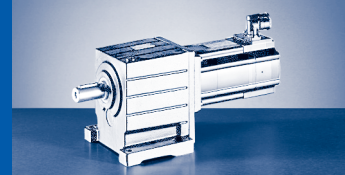
GST□□-□S (MCS)

$M_{2GN} \leq 2848 \text{ Nm}$

GST11-3S				09DC41	09FC38	09HC41	09LC41	12DC20	12DC41	12HC15	12HC30	12HC35
				...500	...500	...500	...500	...500	...500	...500	...500	...500
i	M_{2GN}	J_G	M_1	2.30	3.10	3.80	4.50	5.50	4.30	10.00	8.00	7.50
			n_1	4050	3750	4050	4050	1950	4050	1500	3000	3525
			I_{M230}	4.6	5.0	6.8	8.4	5.2	8.8	7.6	10.5	
			I_{M400}	2.3	2.5	3.4	4.2	2.6	4.5	3.8		5.7
			P_N	1.00	1.20	1.60	1.90	1.10	1.80	1.60	2.50	2.80
			J_M	1.13	1.53	1.93	2.83	4.12	4.12	7.42	7.42	7.42
80.694	2658	3.50	M_2							751	596	558
			c							3.5	4.3	4.4
			$n_{2 \text{ Eck}}$							19	37	44
			$n_{2 \text{ th}}$							19	37	44
80.694	2787	3.50	M_2									
			c									
			$n_{2 \text{ Eck}}$									
			$n_{2 \text{ th}}$									
87.267	2657	3.22	M_2					436		815	646	606
			c					5.8		3.2	4.0	4.0
			$n_{2 \text{ Eck}}$					22		17	34	40
			$n_{2 \text{ th}}$					22		17	34	40
99.167	2810	3.20	M_2					497		928	737	690
			c					5.4		3.0	3.7	3.8
			$n_{2 \text{ Eck}}$					20		15	30	36
			$n_{2 \text{ th}}$					20		15	30	36
112.933	2695	2.93	M_2					572	443	1062	844	791
			c					4.5	5.3	2.5	3.1	3.2
			$n_{2 \text{ Eck}}$					17	36	13	27	31
			$n_{2 \text{ th}}$					17	36	13	27	31
129.074	2651	1.94	M_2			449	536					
			c			5.1	4.3					
			$n_{2 \text{ Eck}}$			31	31					
			$n_{2 \text{ th}}$			31	31					
129.074	2810	1.94	M_2					656	509	1217	968	907
			c					4.1	4.8	2.3	2.9	2.9
			$n_{2 \text{ Eck}}$					15	31	12	23	27
			$n_{2 \text{ th}}$					15	31	12	23	27
146.993	2695	1.77	M_2		414	514	613	753	585	1391	1107	1038
			c		5.8	4.6	3.9	3.5	4.0	1.9	2.4	2.4
			$n_{2 \text{ Eck}}$		26	28	28	13	28	10	20	24
			$n_{2 \text{ th}}$		26	28	28	13	28	10	20	24
158.194	2779	1.40	M_2		447	554	661					
			c		5.5	4.4	3.7					
			$n_{2 \text{ Eck}}$		24	26	26					
			$n_{2 \text{ th}}$		24	26	26					
158.194	2810	1.40	M_2					811	630	1498	1193	1118
			c					3.4	3.9	1.9	2.3	2.4
			$n_{2 \text{ Eck}}$					12	26	10	19	22
			$n_{2 \text{ th}}$					12	26	9	19	22
180.156	2695	1.29	M_2		513	636	757	929	723	1712	1364	1278
			c		4.7	3.7	3.2	2.9	3.3	1.6	2.0	2.0
			$n_{2 \text{ Eck}}$		21	23	23	11	23	8	17	20
			$n_{2 \text{ th}}$		21	22	22	11	22	8	17	20
207.778	2810	0.88	M_2	435	595	736	876	1074	836	1977	1576	1477
			c	5.6	4.2	3.4	2.9	2.6	3.0	1.4	1.8	1.8
			$n_{2 \text{ Eck}}$	20	18	20	20	9	20	7	14	17
			$n_{2 \text{ th}}$	19	18	19	19	9	19	7	14	17
236.622	2695	0.82	M_2	500	682	843	1003	1229	957	2257	1800	1687
			c	4.7	3.6	2.8	2.4	2.2	2.5	1.2	1.5	1.5
			$n_{2 \text{ Eck}}$	17	16	17	17	8	17	6	13	15
			$n_{2 \text{ th}}$	17	16	17	17	8	17	6	13	15

$M \dots$ [Nm]
 $n \dots$ [r/min]
 $J \dots$ [kgcm²]

$P \dots$ [kW]
 $I \dots$ [A]
 $i \dots$ [-]
 $c \dots$ [-]



$M_{2GN} \leq 2848 \text{ Nm}$

12LC20	12LC41	14DC15	14DC36	14HC15	14HC32	14LC15	14LC32	14PC14	14PC32	GST11-3S			
...500	...500	...500	...500	...500	...500	...500	...500	...500	...500	M_1	J_G	M_{2GN}	i
13.50	11.00	9.20	7.50	16.00	14.00	23.00	17.20	30.00	21.00	n_1			
1950	4050	1500	3600	1500	3225	1500	3225	1350	3225	I_{M230}			
11.8										I_{M400}			
5.9	10.2	4.5	7.5	6.6	11.9	9.7	15.0	10.8	15.6	P_N			
2.80	4.70	1.45	2.80	2.50	4.70	3.60	5.80	4.20	7.10	J_M			
10.72	10.72	8.22	8.22	14.32	14.32	23.44	23.44	34.74	34.82	M_2			
1024	832									c			
2.6	2.8									$n_{2 \text{ Eck}}$	3.50	2658	80.694
24	50									$n_{2 \text{ th}}$			
24	50									M_2			
		688	557	1218	1062	1763	1312	2309	1608	c			
		3.9	4.5	2.3	2.5	1.6	2.1	1.2	1.7	$n_{2 \text{ Eck}}$	3.50	2787	80.694
		19	45	19	40	19	40	17	40	$n_{2 \text{ th}}$			
		19	44	19	40	19	40	17	40	M_2			
1110	902	747	606	1321	1153	1910	1422	2500	1743	c			
2.4	2.6	3.5	4.0	2.0	2.2	1.4	1.8	1.1	1.5	$n_{2 \text{ Eck}}$	3.22	2657	87.267
22	46	17	41	17	37	17	37	16	37	$n_{2 \text{ th}}$			
22	46	17	41	17	37	17	37	15	37	M_2			
1263	1027	852	691	1503	1312	2173	1618		1982	c			
2.2	2.4	3.2	3.7	1.9	2.1	1.3	1.7		1.4	$n_{2 \text{ Eck}}$	3.20	2810	99.167
20	41	15	36	15	33	15	33		33	$n_{2 \text{ th}}$			
20	41	15	36	15	33	15	33		33	M_2			
1444	1174	975	791	1717	1499	2480	1848		2263	c			
1.9	2.1	2.7	3.1	1.6	1.7	1.1	1.4		1.2	$n_{2 \text{ Eck}}$	2.93	2695	112.933
17	36	13	32	13	29	13	29		29	$n_{2 \text{ th}}$			
17	36	13	32	13	29	13	29		29	M_2			
										c			
										$n_{2 \text{ Eck}}$	1.94	2651	129.074
										$n_{2 \text{ th}}$			
1653	1344	1117	907	1965	1716		2115		2589	c			
1.7	1.9	2.5	2.9	1.4	1.6		1.3		1.1	$n_{2 \text{ Eck}}$	1.94	2810	129.074
15	31	12	28	12	25		25		25	$n_{2 \text{ th}}$			
15	31	12	28	12	25		25		25	M_2			
1888	1536	1278	1038	2243	1960		2414			c			
1.4	1.6	2.1	2.4	1.2	1.3		1.1			$n_{2 \text{ Eck}}$	1.77	2695	146.993
13	28	10	25	10	22		22			$n_{2 \text{ th}}$			
13	28	10	24	10	22		22			M_2			
										c			
										$n_{2 \text{ Eck}}$	1.40	2779	158.194
										$n_{2 \text{ th}}$			
2033	1654	1376	1118	2415	2110		2599			c			
1.4	1.5	2.0	2.3	1.2	1.3		1.1			$n_{2 \text{ Eck}}$	1.40	2810	158.194
12	26	10	23	10	20		20			$n_{2 \text{ th}}$			
12	26	9	23	9	20		20			M_2			
2320	1888	1572	1278		2408					c			
1.2	1.3	1.7	2.0		1.1					$n_{2 \text{ Eck}}$	1.29	2695	180.156
11	23	8	20		18					$n_{2 \text{ th}}$			
11	22	8	20		18					M_2			
2679	2180									c			
1.1	1.2									$n_{2 \text{ Eck}}$	0.88	2810	207.778
9	20									$n_{2 \text{ th}}$			
9	19									M_2			
										c			
										$n_{2 \text{ Eck}}$	0.82	2695	236.622
										$n_{2 \text{ th}}$			

M ... [Nm]
n ... [r/min]
J ... [kgcm²]

P ... [kW]
I ... [A]
i [-]
c [-]



GST [Nm]

GST□□-□S (MCS)

$M_{2GN} \leq 2848 \text{ Nm}$

GST11-3S				09DC41	09FC38	09HC41	09LC41	12DC20	12DC41	12HC15	12HC30	12HC35
				...500	...500	...500	...500	...500	...500	...500	...500	...500
i	M_{2GN}	J_G	M_1	2.30	3.10	3.80	4.50	5.50	4.30	10.00	8.00	7.50
			n_1	4050	3750	4050	4050	1950	4050	1500	3000	3525
			I_{M230}	4.6	5.0	6.8	8.4	5.2	8.8	7.6	10.5	
			I_{M400}	2.3	2.5	3.4	4.2	2.6	4.5	3.8		5.7
			P_N	1.00	1.20	1.60	1.90	1.10	1.80	1.60	2.50	2.80
			J_M	1.13	1.53	1.93	2.83	4.12	4.12	7.42	7.42	7.42
252.167	2810	0.63	M_2	533	728	899	1069	1310	1020	2406	1919	1798
			c	4.6	3.5	2.8	2.4	2.1	2.5	1.2	1.5	1.5
			$n_{2 \text{ Eck}}$	16	15	16	16	8	16	6	12	14
			$n_{2 \text{ th}}$	16	15	16	16	8	16	6	12	14
268.889	2848	0.82	M_2	570	777	960	1141	1398	1090	2567	2047	1919
			c	4.4	3.3	2.6	2.2	2.0	2.3	1.1	1.4	1.4
			$n_{2 \text{ Eck}}$	15	14	15	15	7	15	6	11	13
			$n_{2 \text{ th}}$	15	14	15	15	7	15	6	11	13
326.333	2848	0.59	M_2	698	949	1171	1391	1703	1328		2491	2335
			c	3.6	2.7	2.2	1.8	1.7	1.9		1.1	1.2
			$n_{2 \text{ Eck}}$	12	12	12	12	6	12		9	11
			$n_{2 \text{ th}}$	12	11	12	12	6	12		9	11
363.000	2695	0.76	M_2	781	1060	1307	1552					
			c	3.1	2.3	1.9	1.6					
			$n_{2 \text{ Eck}}$	11	10	11	11					
			$n_{2 \text{ th}}$	11	10	11	11					
412.500	2848	0.55	M_2	889	1207	1487	1766					
			c	2.8	2.2	1.7	1.5					
			$n_{2 \text{ Eck}}$	10	9	10	10					
			$n_{2 \text{ th}}$	10	9	10	10					

M ... [Nm]
 n ... [r/min]
 J ... [kgcm²]

P ... [kW]
 I ... [A]
 i [-]
 c [-]



$M_{2GN} \leq 2848 \text{ Nm}$

12LC20	12LC41	14DC15	14DC36	14HC15	14HC32	14LC15	14LC32	14PC14	14PC32	GST11-3S			
...500	...500	...500	...500	...500	...500	...500	...500	...500	...500	M_1	J_G	M_{2GN}	i
13.50	11.00	9.20	7.50	16.00	14.00	23.00	17.20	30.00	21.00	n_1			
1950	4050	1500	3600	1500	3225	1500	3225	1350	3225	I_{M230}			
11.8										I_{M400}			
5.9	10.2	4.5	7.5	6.6	11.9	9.7	15.0	10.8	15.6	P_N			
2.80	4.70	1.45	2.80	2.50	4.70	3.60	5.80	4.20	7.10	J_M			
10.72	10.72	8.22	8.22	14.32	14.32	23.44	23.44	34.74	34.82	M_2			
										c			
										$n_{2 \text{ Eck}}$	0.63	2810	252.167
										$n_{2 \text{ th}}$			
										M_2			
										c			
										$n_{2 \text{ Eck}}$	0.82	2848	268.889
										$n_{2 \text{ th}}$			
										M_2			
										c			
										$n_{2 \text{ Eck}}$	0.59	2848	326.333
										$n_{2 \text{ th}}$			
										M_2			
										c			
										$n_{2 \text{ Eck}}$	0.76	2695	363.000
										$n_{2 \text{ th}}$			
										M_2			
										c			
										$n_{2 \text{ Eck}}$	0.55	2848	412.500
										$n_{2 \text{ th}}$			

M ... [Nm]
n ... [r/min]
J ... [kgcm²]

P ... [kW]
I ... [A]
i [-]
c [-]



GST [Nm]

GST□□-□S (MCS)

$M_{2GN} \leq 3107 \text{ Nm}$

GST14-2S				19FC14	19FC30	19JC14	19JC30	19PC14	19PC30
				...500	...500	...500	...500	...500	...500
i	M_{2GN}	J_G	M_1	27.00	21.00	40.00	29.00	51.00	32.00
			n_1	1425	3000	1425	3000	1350	3000
			I_{M400}	8.6	14.0	12.3	18.5	14.3	19.0
			P_N	4.00	6.60	6.00	9.10	7.20	10.00
			J_M	65.12	65.04	105.04	105.12	160.12	160.04
5.200	1201	168.00	M_2			192		248	153
			c			6.0		4.7	5.9
			$n_{2 \text{ Eck}}$			274		260	577
			$n_{2 \text{ th}}$			274		260	328
5.714	1320	161.00	M_2			210		272	168
			c			6.0		4.7	5.9
			$n_{2 \text{ Eck}}$			249		236	525
			$n_{2 \text{ th}}$			249		236	299
6.286	1364	141.00	M_2			232		300	186
			c			5.6		4.4	5.6
			$n_{2 \text{ Eck}}$			227		215	477
			$n_{2 \text{ th}}$			227		215	276
8.027	1467	100.00	M_2			300	216	386	240
			c			4.7	5.2	3.7	4.7
			$n_{2 \text{ Eck}}$			178	374	168	374
			$n_{2 \text{ th}}$			178	247	168	242
8.800	2033	139.00	M_2			324		419	259
			c			6.0		4.7	5.9
			$n_{2 \text{ Eck}}$			162		153	341
			$n_{2 \text{ th}}$			162		153	194
9.841	1546	75.10	M_2	245		370	267	476	296
			c	6.0		4.1	4.4	3.2	4.0
			$n_{2 \text{ Eck}}$	145		145	305	137	305
			$n_{2 \text{ th}}$	145		145	219	137	214
11.000	2386	119.00	M_2			407		525	326
			c			5.6		4.4	5.6
			$n_{2 \text{ Eck}}$			130		123	273
			$n_{2 \text{ th}}$			130		123	158
12.362	2260	89.00	M_2			461	333	595	369
			c			4.7	5.2	3.7	4.7
			$n_{2 \text{ Eck}}$			115	243	109	243
			$n_{2 \text{ th}}$			115	161	109	157
14.048	2568	86.60	M_2			524	378	676	420
			c			4.7	5.2	3.7	4.7
			$n_{2 \text{ Eck}}$			101	214	96	214
			$n_{2 \text{ th}}$			101	141	96	138
15.156	2381	67.60	M_2	377		570	409	733	453
			c	6.0		4.1	5.0	3.2	4.6
			$n_{2 \text{ Eck}}$	94		94	198	89	198
			$n_{2 \text{ th}}$	94		94	146	89	143
17.222	2705	66.00	M_2	428		647	464	833	515
			c	6.0		4.1	5.0	3.2	4.6
			$n_{2 \text{ Eck}}$	83		83	174	78	174
			$n_{2 \text{ th}}$	83		83	128	78	126
20.044	2507	45.80	M_2	505	389	760	546	976	605
			c	4.8	5.5	3.2	4.0	2.5	3.6
			$n_{2 \text{ Eck}}$	71	150	71	150	67	150
			$n_{2 \text{ th}}$	71	110	71	110	67	110
22.778	2849	44.90	M_2	573	442	864	621	1109	688
			c	4.8	5.5	3.2	4.0	2.5	3.6
			$n_{2 \text{ Eck}}$	63	132	63	132	59	132
			$n_{2 \text{ th}}$	63	97	63	97	59	97

M ... [Nm]
 n ... [r/min]
 J ... [kgcm²]

P ... [kW]
 I ... [A]
 i [-]
 c [-]



$M_{2GN} \leq 3107 \text{ Nm}$

GST14-2S				19FC14	19FC30	19JC14	19JC30	19PC14	19PC30
				...500	...500	...500	...500	...500	...500
i	M_{2GN}	J_G	M_1						
			n_1	1425	3000	1425	3000	1350	3000
			I_{M400}	8.6	14.0	12.3	18.5	14.3	19.0
			P_N	4.00	6.60	6.00	9.10	7.20	10.00
			J_M	65.12	65.04	105.04	105.12	160.12	160.04
24.567	2627	33.20	M_2	623	481	936	674	1201	746
			c	4.1	4.7	2.8	3.4	2.2	3.1
			$n_{2 \text{ Eck}}$	58	122	58	122	55	122
			$n_{2 \text{ th}}$	58	90	58	90	55	90
27.917	2985	32.60	M_2	708	547	1064	766	1365	848
			c	4.1	4.7	2.8	3.4	2.2	3.1
			$n_{2 \text{ Eck}}$	51	108	51	108	48	108
			$n_{2 \text{ th}}$	51	79	51	79	48	79
32.267	2701	21.50	M_2	826	639	1237	892	1585	987
			c	3.2	3.7	2.2	2.7	1.7	2.4
			$n_{2 \text{ Eck}}$	44	93	44	93	42	93
			$n_{2 \text{ th}}$	44	69	44	69	42	69
36.667	3069	21.20	M_2	939	726	1406	1014	1801	1122
			c	3.2	3.7	2.2	2.7	1.7	2.4
			$n_{2 \text{ Eck}}$	39	82	39	82	37	82
			$n_{2 \text{ th}}$	39	60	39	60	37	60
39.160	2734	15.70	M_2	1008	781	1507	1088	1929	1203
			c	2.7	3.1	1.8	2.2	1.4	2.0
			$n_{2 \text{ Eck}}$	36	77	36	77	35	77
			$n_{2 \text{ th}}$	36	56	36	56	34	56
44.500	3107	15.50	M_2	1146	884	1713	1233	2193	1364
			c	2.7	3.4	1.8	2.5	1.4	2.3
			$n_{2 \text{ Eck}}$	32	67	32	67	30	67
			$n_{2 \text{ th}}$	32	50	32	50	30	50

$M \dots$ [Nm]
 $n \dots$ [r/min]
 $J \dots$ [kgcm²]

$P \dots$ [kW]
 $I \dots$ [A]
 i [-]
 c [-]



GST [Nm]

GST□□-□S (MCS)

$M_{2GN} \leq 5920 \text{ Nm}$

GST14-3S				12DC20	12DC41	12HC15	12HC30	12HC35	12LC20	12LC41	14DC15	14DC36	14HC15
				...500	...500	...500	...500	...500	...500	...500	...500	...500	...500
i	M_{2GN}	J_G	M_1	5.50	4.30	10.00	8.00	7.50	13.50	11.00	9.20	7.50	16.00
			n_1	1950	4050	1500	3000	3525	1950	4050	1500	3600	1500
			I_{M230}	5.2	8.8	7.6	10.5		11.8				
			I_{M400}	2.6	4.5	3.8		5.7	5.9	10.2	4.5	7.5	6.6
			P_N	1.10	1.80	1.60	2.50	2.80	2.80	4.70	1.45	2.80	2.50
			J_M	4.12	4.12	7.42	7.42	7.42	10.72	10.72	8.22	8.22	14.32
			M_2										585
40.185	3459	24.40	c										5.6
			$n_{2 \text{ Eck}}$										37
			$n_{2 \text{ th}}$										37
			M_2										
40.185	4476	24.40	c										
			$n_{2 \text{ Eck}}$										
			$n_{2 \text{ th}}$										
			M_2			390			534	433			
42.580	2052	18.30	c			5.0			3.7	4.2			
			$n_{2 \text{ Eck}}$			35			46	95			
			$n_{2 \text{ th}}$			35			46	84			
			M_2										624
42.580	3211	18.30	c										4.9
			$n_{2 \text{ Eck}}$										35
			$n_{2 \text{ th}}$										35
			M_2										
42.580	4262	18.30	c										
			$n_{2 \text{ Eck}}$										
			$n_{2 \text{ th}}$										
			M_2			443			606	492			
48.386	2332	18.10	c			5.0			3.7	4.2			
			$n_{2 \text{ Eck}}$			31			40	84			
			$n_{2 \text{ th}}$			31			40	74			
			M_2										709
48.386	3649	18.10	c										4.9
			$n_{2 \text{ Eck}}$										31
			$n_{2 \text{ th}}$										31
			M_2										
48.386	4843	18.10	c										
			$n_{2 \text{ Eck}}$										
			$n_{2 \text{ th}}$										
			M_2										773
53.148	4574	20.50	c										5.6
			$n_{2 \text{ Eck}}$										28
			$n_{2 \text{ th}}$										28
			M_2										
53.148	4779	20.50	c										
			$n_{2 \text{ Eck}}$										
			$n_{2 \text{ th}}$										
			M_2										876
59.321	3840	13.20	c										4.2
			$n_{2 \text{ Eck}}$										25
			$n_{2 \text{ th}}$										25
			M_2										
59.321	5267	13.20	c										
			$n_{2 \text{ Eck}}$										
			$n_{2 \text{ th}}$										
			M_2										1020
69.042	4470	11.50	c										4.2
			$n_{2 \text{ Eck}}$										22
			$n_{2 \text{ th}}$										22

$M \dots$ [Nm]
 $n \dots$ [r/min]
 $J \dots$ [kgcm²]

$P \dots$ [kW]
 $I \dots$ [A]
 $i \dots$ [-]
 $c \dots$ [-]



$M_{2GN} \leq 5920 \text{ Nm}$

14HC32	14LC15	14LC32	14PC14	14PC32	19FC14	19FC30	19JC14	19JC30	19PC14	19PC30	GST14-3S			
...500	...500	...500	...500	...500	...500	...500	...500	...500	...500	...500	M_1	J_G	M_{2GN}	i
14.00	23.00	17.20	30.00	21.00	27.00	21.00	40.00	29.00	51.00	32.00	n_1			
3225	1500	3225	1350	3225	1425	3000	1425	3000	1350	3000	I_{M230}			
											I_{M400}			
11.9	9.7	15.0	10.8	15.6	8.6	14.0	12.3	18.5	14.3	19.0	P_N			
4.70	3.60	5.80	4.20	7.10	4.00	6.60	6.00	9.10	7.20	10.00	J_M			
14.32	23.44	23.44	34.74	34.82	65.12	65.04	105.04	105.12	160.12	160.04	M_2			
511	856	636	1128	783							c	24.40	3459	40.185
5.7	3.9	4.6	3.0	3.8							$n_{2 \text{ Eck}}$			
80	37	80	34	80							$n_{2 \text{ th}}$			
80	37	80	34	77										
					1001	773	1505	1083	1932	1200	M_2			
					4.3	5.0	2.9	3.6	2.3	3.3	c	24.40	4476	40.185
					36	75	36	75	34	75	$n_{2 \text{ Eck}}$			
					35	55	35	55	34	55	$n_{2 \text{ th}}$			
											M_2			
											c	18.30	2052	42.580
											$n_{2 \text{ Eck}}$			
											$n_{2 \text{ th}}$			
543	912	674	1200	831							M_2			
5.5	3.4	4.5	2.6	3.7							c	18.30	3211	42.580
76	35	76	32	76							$n_{2 \text{ Eck}}$			
76	35	76	32	76							$n_{2 \text{ th}}$			
					1066	819	1600	1148	2052	1271	M_2			
					3.9	5.0	2.6	3.6	2.1	3.3	c	18.30	4262	42.580
					34	71	34	71	32	71	$n_{2 \text{ Eck}}$			
					33	52	33	52	32	52	$n_{2 \text{ th}}$			
											M_2			
											c	18.10	2332	48.386
											$n_{2 \text{ Eck}}$			
											$n_{2 \text{ th}}$			
617	1036	766	1364	944							M_2			
5.5	3.4	4.5	2.6	3.7							c	18.10	3649	48.386
67	31	67	28	67							$n_{2 \text{ Eck}}$			
67	31	67	28	67							$n_{2 \text{ th}}$			
					1211	931	1818	1304	2332	1445	M_2			
					3.9	5.0	2.6	3.6	2.1	3.3	c	18.10	4843	48.386
					30	62	30	62	28	62	$n_{2 \text{ Eck}}$			
					29	46	29	46	28	46	$n_{2 \text{ th}}$			
	1133	836	1492	1031							M_2			
	3.9	5.1	3.0	4.2							c	20.50	4574	53.148
	28	61	25	61							$n_{2 \text{ Eck}}$			
	28	61	25	59							$n_{2 \text{ th}}$			
					1336	1028	2003	1438	2568	1592	M_2			
					3.5	4.5	2.4	3.2	1.9	2.9	c	20.50	4779	53.148
					27	57	27	57	25	57	$n_{2 \text{ Eck}}$			
					27	42	27	42	25	42	$n_{2 \text{ th}}$			
763	1277	946	1678	1164							M_2			
4.7	3.0	3.9	2.3	3.2							c	13.20	3840	59.321
54	25	54	23	54							$n_{2 \text{ Eck}}$			
54	25	54	23	54							$n_{2 \text{ th}}$			
					1492	1148	2236	1606	2866	1778	M_2			
					3.4	4.4	2.3	3.2	1.8	2.9	c	13.20	5267	59.321
					24	51	24	51	23	51	$n_{2 \text{ Eck}}$			
					24	37	24	37	23	37	$n_{2 \text{ th}}$			
888	1487	1101	1953	1354							M_2			
4.7	3.0	3.9	2.3	3.2							c	11.50	4470	69.042
47	22	47	20	47							$n_{2 \text{ Eck}}$			
47	22	47	20	47							$n_{2 \text{ th}}$			

$M \dots$ [Nm]
 $n \dots$ [r/min]
 $J \dots$ [kgcm²]

$P \dots$ [kW]
 $I \dots$ [A]
 $i [-]$
 $c [-]$



GST [Nm]

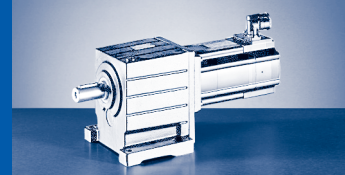
GST□□-□S (MCS)

$M_{2GN} \leq 5920 \text{ Nm}$

GST14-3S				12DC20	12DC41	12HC15	12HC30	12HC35	12LC20	12LC41	14DC15	14DC36	14HC15
				...500	...500	...500	...500	...500	...500	...500	...500	...500	...500
i	M_{2GN}	J_G	M_1	5.50	4.30	10.00	8.00	7.50	13.50	11.00	9.20	7.50	16.00
			n_1	1950	4050	1500	3000	3525	1950	4050	1500	3600	1500
			I_{M230}	5.2	8.8	7.6	10.5		11.8				
			I_{M400}	2.6	4.5	3.8		5.7	5.9	10.2	4.5	7.5	6.6
			P_N	1.10	1.80	1.60	2.50	2.80	2.80	4.70	1.45	2.80	2.50
			J_M	4.12	4.12	7.42	7.42	7.42	10.72	10.72	8.22	8.22	14.32
69.042	4917	11.50	M_2 c $n_{2 \text{ Eck}}$ $n_{2 \text{ th}}$										
78.457	5079	11.40	M_2 c $n_{2 \text{ Eck}}$ $n_{2 \text{ th}}$										1159 4.2 19 19
78.457	5587	11.40	M_2 c $n_{2 \text{ Eck}}$ $n_{2 \text{ th}}$										
93.541	3031	6.57	M_2 c $n_{2 \text{ Eck}}$ $n_{2 \text{ th}}$			872 3.4 16 16	691 4.2 32 32	647 4.3 38 38	1188 2.5 21 21	965 2.8 43 43			
93.541	4733	6.57	M_2 c $n_{2 \text{ Eck}}$ $n_{2 \text{ th}}$								782 5.8 16 16		1396 3.3 16 16
96.157	5882	10.40	M_2 c $n_{2 \text{ Eck}}$ $n_{2 \text{ th}}$										1424 4.0 16 16
106.296	3444	6.52	M_2 c $n_{2 \text{ Eck}}$ $n_{2 \text{ th}}$			990 3.4 14 14	785 4.2 28 28	736 4.3 33 33	1350 2.5 18 18	1097 2.8 38 38			
106.296	5378	6.52	M_2 c $n_{2 \text{ Eck}}$ $n_{2 \text{ th}}$								888 5.8 14 14		1586 3.3 14 14
130.278	4221	6.00	M_2 c $n_{2 \text{ Eck}}$ $n_{2 \text{ th}}$			1214 3.4 12 12	962 4.2 23 23	902 4.3 27 27	1654 2.5 15 15	1344 2.8 31 31			
130.278	5920	6.00	M_2 c $n_{2 \text{ Eck}}$ $n_{2 \text{ th}}$								1095 5.2 12 12	885 6.0 28 28	1951 3.0 12 12
139.211	3865	4.42	M_2 c $n_{2 \text{ Eck}}$ $n_{2 \text{ th}}$	699 5.3 14 14		1304 2.9 11 11	1035 3.6 22 22	970 3.7 25 25	1774 2.2 14 14	1442 2.4 29 29			
139.211	5736	4.42	M_2 c $n_{2 \text{ Eck}}$ $n_{2 \text{ th}}$								1177 4.7 11 11	952 5.4 26 26	2091 2.7 11 11
158.194	4392	4.40	M_2 c $n_{2 \text{ Eck}}$ $n_{2 \text{ th}}$	794 5.3 12 12		1482 2.9 10 9	1176 3.6 19 19	1102 3.7 22 22	2016 2.2 12 12	1639 2.4 26 26			

$M \dots$ [Nm]
 $n \dots$ [r/min]
 $J \dots$ [kgcm²]

$P \dots$ [kW]
 $I \dots$ [A]
 $i \dots$ [-]
 $c \dots$ [-]



$M_{2GN} \leq 5920 \text{ Nm}$

14HC32	14LC15	14LC32	14PC14	14PC32	19FC14	19FC30	19JC14	19JC30	19PC14	19PC30	GST14-3S			
...S00	...S00	...S00	...S00	...S00	...S00	...S00	...S00	...S00	...S00	...S00	M_1	J_G	M_{2GN}	i
14.00	23.00	17.20	30.00	21.00	27.00	21.00	40.00	29.00	51.00	32.00	n_1			
3225	1500	3225	1350	3225	1425	3000	1425	3000	1350	3000	I_{M230}			
											I_{M400}			
11.9	9.7	15.0	10.8	15.6	8.6	14.0	12.3	18.5	14.3	19.0	P_N			
4.70	3.60	5.80	4.20	7.10	4.00	6.60	6.00	9.10	7.20	10.00	J_M			
14.32	23.44	23.44	34.74	34.82	65.12	65.04	105.04	105.12	160.12	160.04	M_2			
					1749	1349	2615	1882	3349	2082	c	11.50	4917	69.042
					2.8	3.6	1.9	2.6	1.5	2.3	$n_{2 \text{ Eck}}$			
					21	44	21	44	20	44	$n_{2 \text{ th}}$			
					21	32	21	32	20	32				
1009	1689	1251	2220	1539							M_2			
4.7	3.0	3.9	2.3	3.2							c	11.40	5079	78.457
41	19	41	17	41							$n_{2 \text{ Eck}}$			
41	19	41	17	41							$n_{2 \text{ th}}$			
					1987	1533	2972	2139	3805	2366	M_2			
					2.8	3.6	1.9	2.6	1.5	2.3	c	11.40	5587	78.457
					18	38	18	38	17	38	$n_{2 \text{ Eck}}$			
					18	28	18	28	17	28	$n_{2 \text{ th}}$			
											M_2			
											c	6.57	3031	93.541
											$n_{2 \text{ Eck}}$			
											$n_{2 \text{ th}}$			
1216	2028	1505	2660	1849							M_2			
3.7	2.3	3.0	1.8	2.5							c	6.57	4733	93.541
35	16	35	14	35							$n_{2 \text{ Eck}}$			
34	16	34	14	34							$n_{2 \text{ th}}$			
1240	2074	1537	2724	1890	2446	1888	3653	2631	4674	2910	M_2			
4.5	2.8	3.6	2.1	3.0	2.4	3.1	1.6	2.2	1.3	2.0	c	10.40	5882	96.157
34	16	34	14	34	15	31	15	31	14	31	$n_{2 \text{ Eck}}$			
34	16	34	14	34	15	23	15	23	14	23	$n_{2 \text{ th}}$			
											M_2			
											c	6.52	3444	106.296
											$n_{2 \text{ Eck}}$			
											$n_{2 \text{ th}}$			
1382	2305	1711	3023	2101							M_2			
3.7	2.3	3.0	1.8	2.5							c	6.52	5378	106.296
30	14	30	13	30							$n_{2 \text{ Eck}}$			
30	14	30	13	30							$n_{2 \text{ th}}$			
											M_2			
											c	6.00	4221	130.278
											$n_{2 \text{ Eck}}$			
											$n_{2 \text{ th}}$			
1701	2832	2103	3712	2581							M_2			
3.3	2.1	2.7	1.6	2.2							c	6.00	5920	130.278
25	12	25	10	25							$n_{2 \text{ Eck}}$			
25	12	25	10	25							$n_{2 \text{ th}}$			
											M_2			
											c	4.42	3865	139.211
											$n_{2 \text{ Eck}}$			
											$n_{2 \text{ th}}$			
1823	3032	2254	3973	2764							M_2			
3.0	1.9	2.5	1.4	2.0							c	4.42	5736	139.211
23	11	23	10	23							$n_{2 \text{ Eck}}$			
23	11	23	10	23							$n_{2 \text{ th}}$			
											M_2			
											c	4.40	4392	158.194
											$n_{2 \text{ Eck}}$			
											$n_{2 \text{ th}}$			

$M \dots$ [Nm]
 $n \dots$ [r/min]
 $J \dots$ [kgcm²]

$P \dots$ [kW]
 $I \dots$ [A]
 i [-]
 c [-]



GST [Nm]

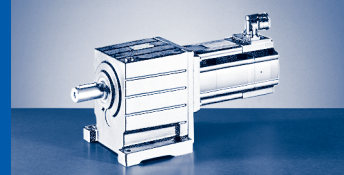
GST□□-□S (MCS)

$M_{2GN} \leq 5920 \text{ Nm}$

GST14-3S				12DC20	12DC41	12HC15	12HC30	12HC35	12LC20	12LC41	14DC15	14DC36	14HC15
				...500	...500	...500	...500	...500	...500	...500	...500	...500	...500
i	M_{2GN}	J_G	M_1	5.50	4.30	10.00	8.00	7.50	13.50	11.00	9.20	7.50	16.00
			n_1	1950	4050	1500	3000	3525	1950	4050	1500	3600	1500
			I_{M230}	5.2	8.8	7.6	10.5		11.8				
			I_{M400}	2.6	4.5	3.8		5.7	5.9	10.2	4.5	7.5	6.6
			P_N	1.10	1.80	1.60	2.50	2.80	2.80	4.70	1.45	2.80	2.50
			J_M	4.12	4.12	7.42	7.42	7.42	10.72	10.72	8.22	8.22	14.32
158.194	5920	4.40	M_2								1343	1087	2382
			c								4.3	4.9	2.5
			$n_{2 \text{ Eck}}$								10	23	10
			$n_{2 \text{ th}}$								9	23	9
171.111	5544	5.49	M_2			1594	1264	1184	2173	1765			
			c			3.4	4.2	4.3	2.5	2.8			
			$n_{2 \text{ Eck}}$			9	18	21	11	24			
			$n_{2 \text{ th}}$			9	18	21	11	24			
171.111	5920	5.49	M_2								1458	1181	2582
			c								3.9	4.5	2.3
			$n_{2 \text{ Eck}}$								9	21	9
			$n_{2 \text{ th}}$								9	21	9
204.722	4557	2.86	M_2	1040	807	1929	1534	1438	2621	2131			
			c	4.2	4.9	2.3	2.9	2.9	1.7	1.9			
			$n_{2 \text{ Eck}}$	10	20	7	15	17	10	20			
			$n_{2 \text{ th}}$	10	20	7	15	17	10	20			
204.722	5920	2.86	M_2								1757	1424	3101
			c								3.3	3.8	1.9
			$n_{2 \text{ Eck}}$								7	18	7
			$n_{2 \text{ th}}$								7	18	7
236.622	5267	2.65	M_2	1202	933	2230	1773	1662	3030	2464			
			c	4.2	4.9	2.3	2.9	2.9	1.7	1.9			
			$n_{2 \text{ Eck}}$	8	17	6	13	15	8	17			
			$n_{2 \text{ th}}$	8	17	6	13	15	8	17			
236.622	5779	2.65	M_2								2042	1657	3596
			c								2.8	3.2	1.6
			$n_{2 \text{ Eck}}$								6	15	6
			$n_{2 \text{ th}}$								6	15	6
248.458	4614	2.06	M_2	1271	988	2351	1871	1754	3191	2596			
			c	3.5	4.1	1.9	2.4	2.5	1.4	1.6			
			$n_{2 \text{ Eck}}$	8	16	6	12	14	8	16			
			$n_{2 \text{ th}}$	8	16	6	12	14	8	16			
248.458	5920	2.06	M_2								2145	1741	3777
			c								2.7	3.1	1.6
			$n_{2 \text{ Eck}}$								6	15	6
			$n_{2 \text{ th}}$								6	14	6
268.889	5920	2.65	M_2	1366	1060	2535	2015	1889	3443	2800	2327	1889	4093
			c	4.2	4.9	2.3	2.9	2.9	1.7	1.9	2.5	2.9	1.4
			$n_{2 \text{ Eck}}$	7	15	6	11	13	7	15	6	13	6
			$n_{2 \text{ th}}$	7	15	6	11	13	7	15	6	13	6
326.333	5920	1.92	M_2	1671	1299	3089	2459	2305	4192	3410	2837	2305	4980
			c	3.5	4.0	1.9	2.4	2.4	1.4	1.6	2.1	2.4	1.2
			$n_{2 \text{ Eck}}$	6	12	5	9	11	6	12	5	11	5
			$n_{2 \text{ th}}$	6	12	5	9	11	6	12	5	11	5
363.000	5401	2.45	M_2	1871	1456	3449	2748	2575	4676	3805			
			c	2.8	3.3	1.6	2.0	2.0	1.2	1.3			
			$n_{2 \text{ Eck}}$	5	11	4	8	10	5	11			
			$n_{2 \text{ th}}$	5	11	4	8	10	5	11			
412.500	5920	1.78	M_2	2129	1657	3921	3125	2929	5316	4326			
			c	2.7	3.2	1.5	1.9	1.9	1.1	1.2			
			$n_{2 \text{ Eck}}$	5	10	4	7	9	5	10			
			$n_{2 \text{ th}}$	5	10	4	7	9	5	10			

$M \dots$ [Nm]
 $n \dots$ [r/min]
 $J \dots$ [kgcm²]

$P \dots$ [kW]
 $I \dots$ [A]
 $i \dots$ [-]
 $c \dots$ [-]



$M_{2GN} \leq 5920 \text{ Nm}$

14HC32	14LC15	14LC32	14PC14	14PC32	19FC14	19FC30	19JC14	19JC30	19PC14	19PC30	GST14-3S			
...S00	...S00	...S00	...S00	...S00	...S00	...S00	...S00	...S00	...S00	...S00	M_1	J_G	M_{2GN}	i
14.00	23.00	17.20	30.00	21.00	27.00	21.00	40.00	29.00	51.00	32.00	n_1			
3225	1500	3225	1350	3225	1425	3000	1425	3000	1350	3000	I_{M230}			
											I_{M400}			
11.9	9.7	15.0	10.8	15.6	8.6	14.0	12.3	18.5	14.3	19.0	P_N			
4.70	3.60	5.80	4.20	7.10	4.00	6.60	6.00	9.10	7.20	10.00	J_M			
14.32	23.44	23.44	34.74	34.82	65.12	65.04	105.04	105.12	160.12	160.04	M_2			
2078	3452	2567	4521	3148							c	4.40	5920	158.194
2.7	1.7	2.2	1.3	1.8							$n_{2 \text{ Eck}}$			
20	10	20	9	20							$n_{2 \text{ th}}$			
20	9	20	9	20							M_2			
											c	5.49	5544	171.111
											$n_{2 \text{ Eck}}$			
											$n_{2 \text{ th}}$			
2253	3739	2782	4895	3410							M_2			
2.5	1.6	2.1	1.2	1.7							c	5.49	5920	171.111
19	9	19	8	19							$n_{2 \text{ Eck}}$			
19	9	19	8	19							$n_{2 \text{ th}}$			
											M_2			
											c	2.86	4557	204.722
											$n_{2 \text{ Eck}}$			
											$n_{2 \text{ th}}$			
2707	4485	3340	5869	4091							M_2			
2.1	1.3	1.7	1.0	1.4							c	2.86	5920	204.722
16	7	16	7	16							$n_{2 \text{ Eck}}$			
16	7	16	7	16							$n_{2 \text{ th}}$			
											M_2			
											c	2.65	5267	236.622
											$n_{2 \text{ Eck}}$			
											$n_{2 \text{ th}}$			
3140	5195	3871		4739							M_2			
1.8	1.1	1.5		1.2							c	2.65	5779	236.622
14	6	14		14							$n_{2 \text{ Eck}}$			
14	6	14		14							$n_{2 \text{ th}}$			
											M_2			
											c	2.06	4614	248.458
											$n_{2 \text{ Eck}}$			
											$n_{2 \text{ th}}$			
3299	5456	4066		4978							M_2			
1.7	1.1	1.4		1.2							c	2.06	5920	248.458
13	6	13		13							$n_{2 \text{ Eck}}$			
13	6	13		13							$n_{2 \text{ th}}$			
3575	5910	4406		5392							M_2			
1.6	1.0	1.3		1.1							c	2.65	5920	268.889
12	6	12		12							$n_{2 \text{ Eck}}$			
12	6	12		12							$n_{2 \text{ th}}$			
4351		5360									M_2			
1.3		1.1									c	1.92	5920	326.333
10		10									$n_{2 \text{ Eck}}$			
10		10									$n_{2 \text{ th}}$			
											M_2			
											c	2.45	5401	363.000
											$n_{2 \text{ Eck}}$			
											$n_{2 \text{ th}}$			
											M_2			
											c	1.78	5920	412.500
											$n_{2 \text{ Eck}}$			
											$n_{2 \text{ th}}$			

$M \dots$ [Nm]
 $n \dots$ [r/min]
 $J \dots$ [kgcm²]

$P \dots$ [kW]
 $I \dots$ [A]
 i [-]
 c [-]



GST [Nm]

GST□□-□A (MCA)

$M_{2GN} \leq 25 \text{ Nm}$

GST04-1A				10IC40	13IC34	13IC41
				...500	...F10	...500
i	M_{2GN}	J_G	M_1			
			n_1	3950	3410	4050
			I_{M400}	2.4	6.0	4.4
			P_N	0.80	2.20	1.70
			J_M	2.44	8.34	8.34
1.600	19	0.27	M_2	20	10	6
			c	5.1	1.5	2.2
			n_2 Eck	1023	2131	2531
			n_2 th	2439	1841	2159
2.048	23	0.19	M_2	4	13	8
			c	4.1	1.4	2.0
			n_2 Eck	1929	1665	1978
			n_2 th	1929	1623	1966
2.240	25	0.17	M_2	4	14	9
			c	4.1	1.4	2.0
			n_2 Eck	1763	1522	1808
			n_2 th	1763	1522	1808
2.857	25	0.13	M_2	6	18	11
			c	3.2	1.1	1.6
			n_2 Eck	1383	1194	1418
			n_2 th	1383	1194	1418
3.500	25	0.10	M_2	7		14
			c	2.6		1.3
			n_2 Eck	1129		1157
			n_2 th	1129		1157
4.400	25	0.07	M_2	9		
			c	2.1		
			n_2 Eck	898		
			n_2 th	898		
5.667	25	0.05	M_2	11		
			c	1.6		
			n_2 Eck	697		
			n_2 th	697		

M ... [Nm]
 n ... [r/min]
 J ... [kgcm²]

P ... [kW]
 I ... [A]
 i [-]
 c [-]

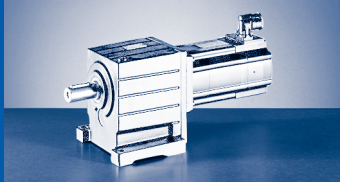


$M_{2GN} \leq 71 \text{ Nm}$

GST04-2A				10IC40	13IC34	13IC41
				...500	...F10	...500
i	M_{2GN}	J_G	M_1			
			n_1	3950	3410	4050
			I_{M400}	2.4	6.0	4.4
			P_N	0.80	2.20	1.70
			J_M	2.44	8.34	8.34
2.956	39	0.34	M_2	6	18	11
			c	4.9	1.7	2.5
			n_2 Eck	1337	1154	1370
			n_2 th	1218	923	1066
3.333	42	0.32	M_2	6	20	13
			c	4.7	1.6	2.3
			n_2 Eck	1185	1023	1215
			n_2 th	1070	795	935
4.053	45	0.31	M_2	8	25	16
			c	4.1	1.4	2.1
			n_2 Eck	975	841	999
			n_2 th	953	707	842
4.571	48	0.30	M_2	9	28	18
			c	3.9	1.3	1.9
			n_2 Eck	864	746	886
			n_2 th	837	612	736
5.187	50	0.22	M_2	10	32	20
			c	3.6	1.2	1.8
			n_2 Eck	762	657	781
			n_2 th	761	604	733
5.850	53	0.22	M_2	11	36	23
			c	3.4	1.1	1.7
			n_2 Eck	675	583	692
			n_2 th	675	523	630
6.400	55	0.19	M_2	12	39	25
			c	3.2	1.1	1.6
			n_2 Eck	617	533	633
			n_2 th	617	492	585
7.040	57	0.26	M_2	13	43	27
			c	3.0	1.0	1.5
			n_2 Eck	561	484	575
			n_2 th	520	359	421
8.000	59	0.26	M_2	15		31
			c	2.7		1.4
			n_2 Eck	494		506
			n_2 th	450		356
9.010	63	0.19	M_2	17		35
			c	2.6		1.3
			n_2 Eck	438		450
			n_2 th	438		359
9.856	65	0.17	M_2	19		38
			c	2.5		1.2
			n_2 Eck	401		411
			n_2 th	401		336
11.200	60	0.17	M_2	22		
			c	2.0		
			n_2 Eck	353		
			n_2 th	353		
12.571	69	0.13	M_2	24		49
			c	2.1		1.0
			n_2 Eck	314		322
			n_2 th	314		286

$M \dots$ [Nm]
 $n \dots$ [r/min]
 $J \dots$ [kgcm²]

$P \dots$ [kW]
 $I \dots$ [A]
 i [-]
 c [-]



GST [Nm]

GST□□-□A (MCA)

$M_{2GN} \leq 71 \text{ Nm}$

GST04-2A				10IC40	13IC34	13IC41
				...500	...F10	...500
i	M_{2GN}	J_G	M_1			
			n_1	3950	3410	4050
			I_{M400}	2.4	6.0	4.4
			P_N	0.80	2.20	1.70
			J_M	2.44	8.34	8.34
14.286	61	0.12	M_2	28		
			c	1.6		
			$n_{2 \text{ Eck}}$	277		
			$n_{2 \text{ th}}$	277		
15.400	70	0.10	M_2	30		
			c	1.9		
			$n_{2 \text{ Eck}}$	257		
			$n_{2 \text{ th}}$	256		
17.500	62	0.10	M_2	34		
			c	1.5		
			$n_{2 \text{ Eck}}$	226		
			$n_{2 \text{ th}}$	226		
19.360	70	0.06	M_2	37		
			c	1.5		
			$n_{2 \text{ Eck}}$	204		
			$n_{2 \text{ th}}$	204		
22.000	62	0.06	M_2	43		
			c	1.2		
			$n_{2 \text{ Eck}}$	180		
			$n_{2 \text{ th}}$	180		
24.933	71	0.04	M_2	48		
			c	1.2		
			$n_{2 \text{ Eck}}$	158		
			$n_{2 \text{ th}}$	158		

M ... [Nm]
 n ... [r/min]
 J ... [kgcm²]

P ... [kW]
 I ... [A]
 i [-]
 c [-]



$M_{2GN} \leq 54 \text{ Nm}$

GST05-1A				10IC40	13IC34	13IC41	14LC16	14LC20	14LC35	14LC41
				...S00	...F10	...S00	...F10	...S00	...F10	...S00
i	M_{2GN}	J_G	M_1							
			n_1	2.00	6.30	4.00	12.00	6.70	10.80	5.40
			I_{M400}	3950	3410	4050	1635	2000	3455	4100
			P_N	2.4	6.0	4.4	4.8	3.3	9.1	5.8
			J_M	0.80	2.20	1.70	2.10	1.40	3.90	2.30
			M_2	2.44	8.34	8.34	19.32	19.24	19.24	19.24
			c		10	6	19	10	17	8
1.600	45	0.76	n_2 Eck		3.4	5.1	2.3	3.9	2.0	3.8
			n_2 th		2131	2531	1022	1250	2159	2563
					2056	2215	1022	1250	1847	2093
			M_2		12	8	24	13	22	11
			c		3.1	4.7	2.1	3.5	1.8	3.5
2.048	53	0.55	n_2 Eck		1665	1978	799	977	1687	2002
			n_2 th		1665	1856	798	977	1525	1753
			M_2		14	9	26	14	24	12
			c		2.9	4.3	2.0	3.3	1.7	3.2
2.240	53	0.48	n_2 Eck		1522	1808	730	893	1542	1830
			n_2 th		1522	1733	730	893	1397	1603
			M_2		18	11	34	19	30	15
			c		2.3	3.4	1.5	2.6	1.3	2.5
2.857	53	0.35	n_2 Eck		1194	1418	572	700	1209	1435
			n_2 th		1194	1418	572	700	1157	1257
			M_2		7	22	14	23	37	18
			c		5.7	1.9	2.8	2.1	1.1	2.1
3.500	54	0.27	n_2 Eck		1129	974	1157	571	987	1171
			n_2 th		1129	974	1157	571	987	1026
			M_2		9	28	18			
			c		4.4	1.5	2.2			
4.556	54	0.18	n_2 Eck		867	749	889			
			n_2 th		867	749	889			
			M_2		11	35	22			
			c		3.5	1.2	1.7			
5.667	54	0.13	n_2 Eck		697	602	715			
			n_2 th		697	602	715			
			M_2		14					
			c		2.3					
7.333	47	0.06	n_2 Eck		539					
			n_2 th		539					
			M_2		17					
			c		1.7					
8.900	42	0.06	n_2 Eck		444					
			n_2 th		444					

$M \dots$ [Nm]
 $n \dots$ [r/min]
 $J \dots$ [kgcm²]

$P \dots$ [kW]
 $I \dots$ [A]
 i [-]
 c [-]



GST [Nm]

GST□□-□A (MCA)

$M_{2GN} \leq 165 \text{ Nm}$

GST05-2A				10IC40	13IC34	13IC41	14LC16	14LC20	14LC35	14LC41
				...S00	...F10	...S00	...F10	...S00	...F10	...S00
i	M_{2GN}	J_G	M_1							
			n_1	3950	3410	4050	1635	2000	3455	4100
			I_{M400}	2.4	6.0	4.4	4.8	3.3	9.1	5.8
			P_N	0.80	2.20	1.70	2.10	1.40	3.90	2.30
			J_M	2.44	8.34	8.34	19.32	19.24	19.24	19.24
2.956	63	0.99	M_2		18	11	34	19	31	15
			c		2.7	4.0	1.8	3.0	1.5	2.9
			n_2 Eck		1154	1370	553	677	1169	1387
			n_2 th		899	975	553	677	735	917
3.333	78	0.94	M_2		20	12	38	21	35	17
			c		2.9	4.3	2.0	3.3	1.7	3.2
			n_2 Eck		1023	1215	491	600	1037	1230
			n_2 th		813	880	491	600	684	828
4.053	81	0.90	M_2		24	15	47	26	42	21
			c		2.5	3.7	1.7	2.8	1.5	2.7
			n_2 Eck		841	999	403	493	852	1012
			n_2 th		762	824	403	493	611	776
4.571	91	0.86	M_2		28	17	53	29	48	24
			c		2.5	3.7	1.7	2.8	1.4	2.7
			n_2 Eck		746	886	358	438	756	897
			n_2 th		675	730	358	438	541	688
5.187	90	0.64	M_2		31	20	60	33	54	27
			c		2.2	3.2	1.5	2.4	1.3	2.4
			n_2 Eck		657	781	315	386	666	790
			n_2 th		637	686	315	386	504	649
5.850	101	0.61	M_2		35	22	68	37	61	30
			c		2.2	3.2	1.5	2.4	1.3	2.4
			n_2 Eck		583	692	280	342	591	701
			n_2 th		565	608	279	342	447	575
6.400	105	0.53	M_2		39	24	74	41	67	33
			c		2.0	3.0	1.4	2.3	1.2	2.2
			n_2 Eck		533	633	256	313	540	641
			n_2 th		531	571	255	313	419	541
7.238	108	0.40	M_2	13	44	28	84	47	76	38
			c	5.6	1.9	2.8	1.3	2.1	1.1	2.0
			n_2 Eck	546	471	560	226	276	477	567
			n_2 th	546	471	560	226	276	419	496
8.163	115	0.39	M_2	15	50	31	95	53	86	42
			c	5.3	1.8	2.6	1.2	2.0	1.0	1.9
			n_2 Eck	484	418	496	200	245	423	502
			n_2 th	484	418	496	200	245	363	440
9.010	119	0.54	M_2	17	55	34	105	58		47
			c	4.9	1.6	2.4	1.1	1.8		1.8
			n_2 Eck	438	379	450	182	222		455
			n_2 th	426	328	376	181	222		344
10.000	124	0.30	M_2	19	61	38	116	65		52
			c	4.6	1.6	2.3	1.0	1.7		1.7
			n_2 Eck	395	341	405	164	200		410
			n_2 th	395	341	405	164	200		359
11.200	128	0.46	M_2	21	68	43		72		58
			c	4.3	1.4	2.1		1.6		1.6
			n_2 Eck	353	305	362		179		366
			n_2 th	346	258	306		179		269
13.016	137	0.18	M_2	24	79	50				
			c	3.9	1.3	2.0				
			n_2 Eck	304	262	311				
			n_2 th	303	262	311				

$M \dots$ [Nm]
 $n \dots$ [r/min]
 $J \dots$ [kgcm²]

$P \dots$ [kW]
 $I \dots$ [A]
 $i [-]$
 $c [-]$



$M_{2GN} \leq 165 \text{ Nm}$

GST05-2A				10IC40	13IC34	13IC41	14LC16	14LC20	14LC35	14LC41
				...500	...F10	...500	...F10	...500	...F10	...500
i	M_{2GN}	J_G	M_1							
			n_1	2.00	6.30	4.00	12.00	6.70	10.80	5.40
			I_{M400}	3950	3410	4050	1635	2000	3455	4100
			P_N	2.4	6.0	4.4	4.8	3.3	9.1	5.8
			J_M	0.80	2.20	1.70	2.10	1.40	3.90	2.30
			M_2	2.44	8.34	8.34	19.32	19.24	19.24	19.24
			c	27	88	55				
14.356	140	0.13	n_2 Eck	3.6	1.2	1.8				
			n_2 th	275	238	282				
			n_2 th	275	238	282				
			M_2	30	99	62				
			c	3.9	1.3	1.9				
16.190	148	0.13	n_2 Eck	244	211	250				
			n_2 th	244	211	250				
			M_2	33	107	67		113		91
			c	3.4	1.2	1.7		1.3		1.3
17.500	142	0.27	n_2 Eck	226	195	231		114		234
			n_2 th	226	195	231		114		205
			M_2	38	122	77				
			c	3.4	1.1	1.7				
20.044	159	0.16	n_2 Eck	197	170	202				
			n_2 th	197	170	202				
			M_2	43		88				
			c	2.7		1.3				
22.778	144	0.16	n_2 Eck	173		178				
			n_2 th	173		178				
			M_2	48		96				
			c	2.8		1.4				
24.933	162	0.12	n_2 Eck	158		162				
			n_2 th	158		162				
			M_2	54		110				
			c	2.2		1.1				
28.333	147	0.12	n_2 Eck	139		143				
			n_2 th	139		143				
			M_2	62						
			c	2.2						
32.267	164	0.08	n_2 Eck	122						
			n_2 th	122						
			M_2	71						
			c	1.7						
36.667	148	0.08	n_2 Eck	108						
			n_2 th	108						
			M_2	75						
			c	1.8						
39.160	165	0.06	n_2 Eck	101						
			n_2 th	101						
			M_2	86						
			c	1.6						
44.500	149	0.06	n_2 Eck	89						
			n_2 th	89						

M ... [Nm]
n ... [r/min]
J ... [kgcm²]

P ... [kW]
I ... [A]
i [-]
c [-]



GST [Nm]

GST□□-□A (MCA)

$M_{2GN} \leq 167 \text{ Nm}$

GST05-3A				10IC40
				...500
i	M_{2GN}	J_G	M_1	
			n_1	2.00
			I_{M400}	3950
			P_N	-
			J_M	0.80
			M_2	2.44
			c	69
36.267	134	0.20	$n_{2 \text{ Eck}}$	1.6
			$n_{2 \text{ th}}$	109
			M_2	109
			c	88
46.259	145	0.14	$n_{2 \text{ Eck}}$	1.5
			$n_{2 \text{ th}}$	85
			M_2	85
			c	108
56.667	155	0.11	$n_{2 \text{ Eck}}$	1.3
			$n_{2 \text{ th}}$	70
			M_2	70
			c	121
63.467	146	0.19	$n_{2 \text{ Eck}}$	1.1
			$n_{2 \text{ th}}$	62
			M_2	62
			c	136
71.238	167	0.07	$n_{2 \text{ Eck}}$	1.1
			$n_{2 \text{ th}}$	56
				55

M ... [Nm]
 n ... [r/min]
 J ... [kgcm²]

P ... [kW]
 I ... [A]
 i [-]
 c [-]

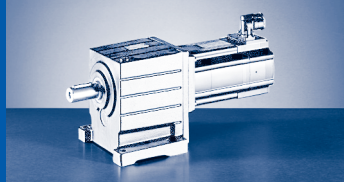


$M_{2GN} \leq 105 \text{ Nm}$

GST06-1A				10IC40	13IC34	13IC41	14LC16	14LC20	14LC35	14LC41	17NC17	17NC23	17NC35	17NC41
				...S00	...F10	...S00	...F10	...S00	...F10	...S00	...F10	...S00	...F10	...S00
i	M_{2GN}	J_G	M_1	2.00	6.30	4.00	12.00	6.70	10.80	5.40	21.50	10.80	19.00	9.50
			n_1	3950	3410	4050	1635	2000	3455	4100	1680	2300	3480	4110
			I_{M400}	2.4	6.0	4.4	4.8	3.3	9.1	5.8	8.5	5.5	15.8	10.2
			P_N	0.80	2.20	1.70	2.10	1.40	3.90	2.30	3.80	2.60	6.90	4.10
			J_M	2.44	8.34	8.34	19.32	19.24	19.24	19.24	36.04	36.04	36.04	36.04
1.600	61	2.01	M_2				18	10	17	8	34	17	30	15
			c				3.2	5.3	2.7	5.2	1.8	3.1	1.6	2.9
			$n_{2 \text{ Eck}}$				1022	1250	2159	2563	1050	1438	2175	2569
			$n_{2 \text{ th}}$				1022	1250	1635	1862	1050	1438	1325	1660
2.048	72	1.46	M_2		12		24	13	21	10	43	21	38	19
			c		4.3		2.9	4.9	2.5	4.8	1.6	2.9	1.4	2.7
			$n_{2 \text{ Eck}}$		1665		799	977	1687	2002	821	1123	1700	2007
			$n_{2 \text{ th}}$		1628		798	977	1459	1657	820	1123	1148	1481
2.240	79	1.27	M_2		13		26	14	23	11	47	23	42	21
			c		4.3		2.9	4.8	2.5	4.7	1.6	2.9	1.4	2.7
			$n_{2 \text{ Eck}}$		1522		730	893	1542	1830	750	1027	1554	1835
			$n_{2 \text{ th}}$		1522		730	893	1379	1561	750	1027	1093	1389
2.857	92	0.97	M_2		17	11	33	18	30	15	60	30	53	26
			c		4.0	5.9	2.7	4.5	2.3	4.4	1.5	2.6	1.3	2.5
			$n_{2 \text{ Eck}}$		1194	1418	572	700	1209	1435	588	805	1218	1439
			$n_{2 \text{ th}}$		1194	1395	572	700	1184	1257	588	805	944	1089
3.500	105	0.74	M_2		21	13	41	22	37	18	74	37	65	32
			c		3.7	5.5	2.5	4.1	2.1	4.0	1.4	2.4	1.2	2.3
			$n_{2 \text{ Eck}}$		974	1157	467	571	987	1171	480	657	994	1174
			$n_{2 \text{ th}}$		974	1157	467	571	987	1026	480	657	861	889
4.556	105	0.48	M_2		28	17	53	29	48	24				
			c		2.8	4.2	1.9	3.2	1.6	3.1				
			$n_{2 \text{ Eck}}$		749	889	359	439	758	900				
			$n_{2 \text{ th}}$		749	889	359	439	758	788				
5.667	82	0.36	M_2	11										
			c	5.3										
			$n_{2 \text{ Eck}}$	697										
			$n_{2 \text{ th}}$	697										
5.667	105	0.36	M_2		35	22	67	37	60	30				
			c		2.3	3.4	1.5	2.6	1.3	2.5				
			$n_{2 \text{ Eck}}$		602	715	289	353	610	724				
			$n_{2 \text{ th}}$		602	715	289	353	610	634				
7.333	95	0.23	M_2	14										
			c	4.8										
			$n_{2 \text{ Eck}}$	539										
			$n_{2 \text{ th}}$	539										
7.333	100	0.23	M_2		45	28								
			c		1.7	2.5								
			$n_{2 \text{ Eck}}$		465	552								
			$n_{2 \text{ th}}$		465	552								
8.900	85	0.17	M_2	17	55	35								
			c	3.5	1.2	1.8								
			$n_{2 \text{ Eck}}$	444	383	455								
			$n_{2 \text{ th}}$	444	383	455								
11.250	63	0.11	M_2	22										
			c	2.1										
			$n_{2 \text{ Eck}}$	351										
			$n_{2 \text{ th}}$	351										

$M \dots$ [Nm]
 $n \dots$ [r/min]
 $J \dots$ [kgcm²]

$P \dots$ [kW]
 $I \dots$ [A]
 i [-]
 c [-]



GST [Nm]

GST□□-□A (MCA)

$M_{2GN} \leq 368 \text{ Nm}$

GST06-2A				10IC40	13IC34	13IC41	14LC16	14LC20	14LC35	14LC41	17NC17	17NC23	17NC35	17NC41	
				...S00	...F10	...S00	...F10	...S00	...F10	...S00	...F10	...S00	...F10	...S00	
i	M_{2GN}	J_G	M_1	2.00	6.30	4.00	12.00	6.70	10.80	5.40	21.50	10.80	19.00	9.50	
			n_1	3950	3410	4050	1635	2000	3455	4100	1680	2300	3480	4110	
			I_{M400}	2.4	6.0	4.4	4.8	3.3	9.1	5.8	8.5	5.5	15.8	10.2	
			P_N	0.80	2.20	1.70	2.10	1.40	3.90	2.30	3.80	2.60	6.90	4.10	
			J_M	2.44	8.34	8.34	19.32	19.24	19.24	19.24	36.04	36.04	36.04	36.04	
3.033	166	2.72	M_2				34		31		62	31	55	27	
			c				4.6		4.0		2.5	4.5	2.3	4.3	
			$n_{2 \text{ Eck}}$				539		1139		554		758	1147	1355
			$n_{2 \text{ th}}$				539		803		554		758	708	815
3.333	174	2.61	M_2				37		34		69	34	61	30	
			c				4.4		3.8		2.4	4.3	2.1	4.1	
			$n_{2 \text{ Eck}}$				491		1037		504		690	1044	1233
			$n_{2 \text{ th}}$				491		724		504		690	637	734
4.160	191	2.51	M_2				47		43		86	42	76	37	
			c				3.8		3.3		2.1	3.8	1.9	3.6	
			$n_{2 \text{ Eck}}$				393		831		404		553	837	988
			$n_{2 \text{ th}}$				393		656		404		553	569	665
4.571	200	2.41	M_2				52		47	23	94	47	84	41	
			c				3.7		3.2	6.0	2.0	3.6	1.8	3.4	
			$n_{2 \text{ Eck}}$				358		756	897	368	503	761	899	
			$n_{2 \text{ th}}$				358		590	670	368	503	503	599	
5.324	207	1.76	M_2		31		61	33	55	27	110	55	98	48	
			c		4.9		3.3	5.4	2.8	5.3	1.8	3.2	1.6	3.0	
			$n_{2 \text{ Eck}}$		641		307	376	649	770	316	432	654	772	
			$n_{2 \text{ th}}$		640		307	376	574	651	316	432	470	583	
5.850	222	1.71	M_2		34		67	36	60	29	121	60	107	53	
			c		4.7		3.2	5.3	2.7	5.2	1.8	3.1	1.6	2.9	
			$n_{2 \text{ Eck}}$		583		280	342	591	701	287	393	595	703	
			$n_{2 \text{ th}}$		579		279	342	520	589	287	393	421	527	
6.400	229	1.47	M_2		38		73	40	66	32	133	66	117	58	
			c		4.5		3.0	5.0	2.6	4.9	1.7	3.0	1.5	2.8	
			$n_{2 \text{ Eck}}$		533		256	313	540	641	263	359	544	642	
			$n_{2 \text{ th}}$		533		255	313	487	550	263	359	390	486	
7.040	236	2.07	M_2				80	44	73	36	146	72	129	64	
			c				2.8	4.7	2.4	4.6	1.6	2.8	1.4	2.6	
			$n_{2 \text{ Eck}}$				232	284	491	582	239	327	494	584	
			$n_{2 \text{ th}}$				232	284	362	414	239	327	283	368	
8.163	252	1.06	M_2		48	30	94	51	84	41	170	84	150	74	
			c		3.8	5.7	2.6	4.3	2.2	4.2	1.4	2.6	1.3	2.4	
			$n_{2 \text{ Eck}}$		418	496	200	245	423	502	206	282	426	504	
			$n_{2 \text{ th}}$		418	486	200	245	412	440	206	282	326	381	
9.010	261	1.50	M_2		54	33	103	57	93	46	187	93	166	82	
			c		3.6	5.4	2.4	4.1	2.1	4.0	1.3	2.4	1.2	2.3	
			$n_{2 \text{ Eck}}$		379	450	182	222	384	455	187	255	386	456	
			$n_{2 \text{ th}}$		357	385	181	222	318	364	186	255	237	323	
10.000	269	0.82	M_2		60	37	115	63	104	51	208	103	184	91	
			c		3.4	5.0	2.3	3.8	2.0	3.7	1.2	2.2	1.1	2.1	
			$n_{2 \text{ Eck}}$		341	405	164	200	346	410	168	230	348	411	
			$n_{2 \text{ th}}$		341	405	164	200	346	359	168	230	289	311	
11.200	280	1.26	M_2		67	42	129	71	116	57	233	116	206	102	
			c		3.1	4.6	2.1	3.5	1.8	3.4	1.2	2.1	1.0	1.9	
			$n_{2 \text{ Eck}}$		305	362	146	179	309	366	150	205	311	367	
			$n_{2 \text{ th}}$		289	311	146	179	250	294	150	205	188	260	
12.571	295	0.96	M_2		75	47	145	80	131	64	262	130		115	
			c		2.9	4.3	2.0	3.3	1.7	3.2	1.1	1.9		1.8	
			$n_{2 \text{ Eck}}$		271	322	130	159	275	326	134	183		327	
			$n_{2 \text{ th}}$		271	301	130	159	242	286	134	183		247	

$M \dots$ [Nm]
 $n \dots$ [r/min]
 $J \dots$ [kgcm²]

$P \dots$ [kW]
 $I \dots$ [A]
 i [-]
 c [-]



$M_{2GN} \leq 368 \text{ Nm}$

GST06-2A				10IC40	13IC34	13IC41	14LC16	14LC20	14LC35	14LC41	17NC17	17NC23	17NC35	17NC41
				...S00	...F10	...S00	...F10	...S00	...F10	...S00	...F10	...S00	...F10	...S00
i	M_{2GN}	J_G	M_1	2.00	6.30	4.00	12.00	6.70	10.80	5.40	21.50	10.80	19.00	9.50
			n_1	3950	3410	4050	1635	2000	3455	4100	1680	2300	3480	4110
			I_{M400}	2.4	6.0	4.4	4.8	3.3	9.1	5.8	8.5	5.5	15.8	10.2
			P_N	0.80	2.20	1.70	2.10	1.40	3.90	2.30	3.80	2.60	6.90	4.10
			J_M	2.44	8.34	8.34	19.32	19.24	19.24	19.24	36.04	36.04	36.04	36.04
14.286	307	0.93	M_2		86	54	165	91	149	73		148		131
			c		2.7	4.0	1.8	3.0	1.6	2.9		1.8		1.7
			$n_{2 \text{ Eck}}$		239	284	115	140	242	287		161		288
			$n_{2 \text{ th}}$		239	261	114	140	204	248		161		211
15.400	318	0.75	M_2		92	58	178	98	160	79		160		141
			c		2.9	4.3	1.8	3.2	1.7	3.2		1.9		1.8
			$n_{2 \text{ Eck}}$		221	263	106	130	224	266		149		267
			$n_{2 \text{ th}}$		221	263	106	130	224	233		149		202
17.500	313	0.73	M_2		105	66	203	112	182	90		182		160
			c		2.5	3.8	1.5	2.8	1.5	2.8		1.7		1.6
			$n_{2 \text{ Eck}}$		195	231	93	114	197	234		131		235
			$n_{2 \text{ th}}$		195	231	93	114	189	205		131		178
20.044	350	0.46	M_2		121	76	232	128	209	103				
			c		2.5	3.7	1.5	2.7	1.4	2.7				
			$n_{2 \text{ Eck}}$		170	202	82	100	172	205				
			$n_{2 \text{ th}}$		170	202	82	100	172	179				
22.778	315	0.45	M_2	42	138	87	265	146	238	118				
			c	5.9	2.0	2.9	1.2	2.1	1.1	2.2				
			$n_{2 \text{ Eck}}$	173	150	178	72	88	152	180				
			$n_{2 \text{ th}}$	173	150	178	72	88	152	158				
24.933	360	0.33	M_2		151	95	290	160	261	129				
			c		2.0	3.0	1.2	2.2	1.2	2.2				
			$n_{2 \text{ Eck}}$		137	162	66	80	139	164				
			$n_{2 \text{ th}}$		137	162	66	80	139	144				
28.333	317	0.33	M_2	53	172	108		183		147				
			c	4.7	1.6	2.4		1.7		1.7				
			$n_{2 \text{ Eck}}$	139	120	143		71		145				
			$n_{2 \text{ th}}$	139	120	143		71		127				
32.267	363	0.22	M_2	60	196	123								
			c	4.8	1.6	2.4								
			$n_{2 \text{ Eck}}$	122	106	126								
			$n_{2 \text{ th}}$	122	106	126								
36.667	322	0.22	M_2	69	224	141								
			c	3.7	1.2	1.9								
			$n_{2 \text{ Eck}}$	108	93	111								
			$n_{2 \text{ th}}$	108	93	110								
39.160	368	0.16	M_2	74	239	150								
			c	4.0	1.3	2.0								
			$n_{2 \text{ Eck}}$	101	87	103								
			$n_{2 \text{ th}}$	101	87	103								
44.500	325	0.16	M_2	84	272	171								
			c	3.4	1.2	1.7								
			$n_{2 \text{ Eck}}$	89	77	91								
			$n_{2 \text{ th}}$	89	77	91								
49.500	278	0.11	M_2	94										
			c	2.6										
			$n_{2 \text{ Eck}}$	80										
			$n_{2 \text{ th}}$	80										
56.250	316	0.11	M_2	107										
			c	2.6										
			$n_{2 \text{ Eck}}$	70										
			$n_{2 \text{ th}}$	70										

$M \dots$ [Nm]
 $n \dots$ [r/min]
 $J \dots$ [kgcm²]

$P \dots$ [kW]
 $I \dots$ [A]
 i [-]
 c [-]



GST [Nm]

GST□□-□A (MCA)

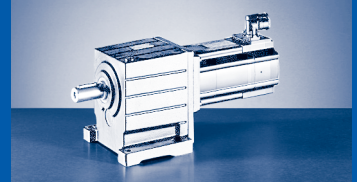
$M_{2GN} \leq 375 \text{ Nm}$

GST06-3A				10IC40	13IC34	13IC41
				...500	...F10	...500
i	M_{2GN}	J_G	M_1			
			n_1	3950	3410	4050
			I_{M400}	2.4	6.0	4.4
			P_N	0.80	2.20	1.70
			J_M	2.44	8.34	8.34
39.200	321	0.36	M_2	73	236	149
			c	3.5	1.2	1.8
			n_2 Eck	101	87	103
			n_2 th	101	87	103
			M_2	82	264	167
44.000	335	0.20	c	3.6	1.2	1.8
			n_2 Eck	90	78	92
			n_2 th	90	78	92
			M_2	95	307	194
			c	3.0	1.0	1.5
51.022	325	0.32	n_2 Eck	77	67	79
			n_2 th	77	67	79
			M_2	101	324	205
			c	3.1	1.0	1.5
			n_2 Eck	73	63	75
53.900	349	0.18	n_2 th	73	63	75
			M_2	127		
			c	2.6		
			n_2 Eck	58		
			n_2 th	58		
67.760	365	0.11	M_2	132		268
			c	2.4		1.2
			n_2 Eck	56		58
			n_2 th	56		58
			M_2	153		
70.156	359	0.16	c	2.0		
			n_2 Eck	49		
			n_2 th	49		
			M_2	165		334
			c	2.0		1.0
80.952	332	0.20	n_2 Eck	45		46
			n_2 th	45		46
			M_2	188		
			c	1.6		
			n_2 Eck	40		
87.267	370	0.15	n_2 th	40		
			M_2	208		
			c	1.6		
			n_2 Eck	36		
			n_2 th	36		
99.167	336	0.15	M_2	238		
			c	1.3		
			n_2 Eck	32		
			n_2 th	32		
			M_2	269		
109.707	375	0.10	c	1.3		
			n_2 Eck	28		
			n_2 th	28		
			M_2	307		
			c	1.0		
124.667	339	0.10	n_2 Eck	25		
			n_2 th	25		
			M_2	269		
			c	1.3		
			n_2 Eck	28		
141.289	375	0.06	n_2 th	28		
			M_2	307		
			c	1.0		
			n_2 Eck	25		
			n_2 th	25		
160.556	342	0.06	M_2	307		
			c	1.0		
			n_2 Eck	25		
			n_2 th	25		

M ... [Nm]
 n ... [r/min]
 J ... [kgcm²]

P ... [kW]
 I ... [A]
 i [-]
 c [-]

GST [Nm]
GST□□-□A (MCA)





GST [Nm]

GST□□-□A (MCA)

$M_{2GN} \leq 196 \text{ Nm}$

GST07-1A				10IC40	13IC34	13IC41	14LC16	14LC20	14LC35	14LC41	17NC17	17NC23	
				...500	...F10	...500	...F10	...500	...F10	...500	...F10	...500	
i	M_{2GN}	J_G	M_1	2.00	6.30	4.00	12.00	6.70	10.80	5.40	21.50	10.80	
			n_1	3950	3410	4050	1635	2000	3455	4100	1680	2300	
			I_{M400}	2.4	6.0	4.4	4.8	3.3	9.1	5.8	8.5	5.5	
			P_N	0.80	2.20	1.70	2.10	1.40	3.90	2.30	3.80	2.60	
			J_M	2.44	8.34	8.34	19.32	19.24	19.24	19.24	36.04	36.04	
1.625	106	6.12	M_2								34	17	
			c								3.0	5.3	
			$n_{2 \text{ Eck}}$									1034	1415
			$n_{2 \text{ th}}$									1034	1415
2.000	124	4.78	M_2				23		21		42	20	
			c				5.1		4.4		2.8	5.1	
			$n_{2 \text{ Eck}}$				818		1728		840	1150	
			$n_{2 \text{ th}}$				818		1386		840	1150	
2.240	135	4.02	M_2				25		23		47	23	
			c				4.9		4.3		2.7	4.9	
			$n_{2 \text{ Eck}}$				730		1542		750	1027	
			$n_{2 \text{ th}}$				730		1280		750	1027	
2.857	118	2.69	M_2		17								
			c		5.1								
			$n_{2 \text{ Eck}}$		1194								
			$n_{2 \text{ th}}$		1194								
2.857	159	2.69	M_2				33		29		60	29	
			c				4.6		4.0		2.5	4.5	
			$n_{2 \text{ Eck}}$				572		1209		588	805	
			$n_{2 \text{ th}}$				572		1154		588	805	
3.500	172	2.15	M_2				40		36		73	36	
			c				4.0		3.5		2.2	4.0	
			$n_{2 \text{ Eck}}$				467		987		480	657	
			$n_{2 \text{ th}}$				467		987		480	657	
4.556	150	1.37	M_2		27	17							
			c		4.0	6.0							
			$n_{2 \text{ Eck}}$		749	889							
			$n_{2 \text{ th}}$		749	889							
4.556	186	1.37	M_2				53	29	48	23	96	47	
			c				3.4	5.6	2.9	5.5	1.9	3.3	
			$n_{2 \text{ Eck}}$				359	439	758	900	369	505	
			$n_{2 \text{ th}}$				359	439	758	788	369	505	
5.583	156	1.05	M_2		34	21							
			c		3.4	5.1							
			$n_{2 \text{ Eck}}$		611	725							
			$n_{2 \text{ th}}$		611	725							
5.583	196	1.05	M_2				65	35	58	29	118	58	
			c				2.9	4.8	2.5	4.7	1.6	2.9	
			$n_{2 \text{ Eck}}$				293	358	619	734	301	412	
			$n_{2 \text{ th}}$				293	358	619	643	301	412	
7.333	107	0.66	M_2	14									
			c	5.3									
			$n_{2 \text{ Eck}}$	539									
			$n_{2 \text{ th}}$	539									
7.333	161	0.66	M_2		45	28							
			c		2.7	4.0							
			$n_{2 \text{ Eck}}$		465	552							
			$n_{2 \text{ th}}$		465	552							
7.333	196	0.66	M_2				86	47	77	38			
			c				2.2	3.7	1.9	3.6			
			$n_{2 \text{ Eck}}$				223	273	471	559			
			$n_{2 \text{ th}}$				223	273	471	490			

$M \dots$ [Nm]
 $n \dots$ [r/min]
 $J \dots$ [kgcm²]

$P \dots$ [kW]
 $I \dots$ [A]
 $i \dots$ [-]
 $c \dots$ [-]



$M_{2GN} \leq 196 \text{ Nm}$

17NC35	17NC41	19SC17	19SC23	19SC35	19SC42	21XC17	21XC25	21XC42	GST07-1A			
...F10	...S00	...F10	...S00	...F10	...S00	...F10	...S00	...S00	M_1	J_G	M_{2GN}	i
19.00	9.50	36.30	16.30	36.00	12.00	61.40	24.60	17.00	n_1			
3480	4110	1700	2340	3510	4150	1710	2490	4160	I_{M400}			
15.8	10.2	13.9	8.2	28.7	14.0	22.5	13.5	19.8	P_N			
6.90	4.10	6.40	4.00	13.20	5.20	11.00	6.40	7.40	J_M			
36.04	36.04	72.12	72.12	72.04	72.12	180.04	180.04	180.04	M_2			
30	15	58	25	57	19	98	39	27	c	6.12	106	1.625
2.6	5.0	1.8	3.5	1.4	3.9	1.0	2.3	2.8	$n_{2 \text{ Eck}}$			
2142	2529	1046	1440	2160	2554	1052	1532	2560	$n_{2 \text{ th}}$			
1347	1547	1046	1437	1027	1473	887	1239	1239				
37	18	71	31	71	23		48	33	M_2			
2.5	4.7	1.7	3.3	1.3	3.7		2.2	2.6	c	4.78	124	2.000
1740	2055	850	1170	1755	2075		1245	2080	$n_{2 \text{ Eck}}$			
1225	1406	850	1170	915	1224		1007	1007	$n_{2 \text{ th}}$			
41	20	80	35	79	26		54	37	M_2			
2.4	4.6	1.6	3.2	1.3	3.6		2.1	2.6	c	4.02	135	2.240
1554	1835	759	1045	1567	1853		1112	1857	$n_{2 \text{ Eck}}$			
1136	1298	759	1045	854	1093		899	899	$n_{2 \text{ th}}$			
									M_2			
									c	2.69	118	2.857
									$n_{2 \text{ Eck}}$			
									$n_{2 \text{ th}}$			
53	26	102	45	101	33				M_2			
2.2	4.2	1.5	3.0	1.2	3.4				c	2.69	159	2.857
1218	1439	595	819	1229	1453				$n_{2 \text{ Eck}}$			
1027	1089	595	819	753	857				$n_{2 \text{ th}}$			
65	32	125	55	124	41				M_2			
2.0	3.8	1.3	2.6	1.0	3.0				c	2.15	172	3.500
994	1174	486	669	1003	1186				$n_{2 \text{ Eck}}$			
889	889	486	669	663	700				$n_{2 \text{ th}}$			
									M_2			
									c	1.37	150	4.556
									$n_{2 \text{ Eck}}$			
									$n_{2 \text{ th}}$			
85	42								M_2			
1.7	3.1								c	1.37	186	4.556
764	902								$n_{2 \text{ Eck}}$			
683	683								$n_{2 \text{ th}}$			
									M_2			
									c	1.05	156	5.583
									$n_{2 \text{ Eck}}$			
									$n_{2 \text{ th}}$			
104	51								M_2			
1.4	2.7								c	1.05	196	5.583
623	736								$n_{2 \text{ Eck}}$			
557	557								$n_{2 \text{ th}}$			
									M_2			
									c	0.66	107	7.333
									$n_{2 \text{ Eck}}$			
									$n_{2 \text{ th}}$			
									M_2			
									c	0.66	161	7.333
									$n_{2 \text{ Eck}}$			
									$n_{2 \text{ th}}$			
									M_2			
									c	0.66	196	7.333
									$n_{2 \text{ Eck}}$			
									$n_{2 \text{ th}}$			

M ... [Nm]
n ... [r/min]
J ... [kgcm²]

P ... [kW]
I ... [A]
i [-]
c [-]



GST [Nm]

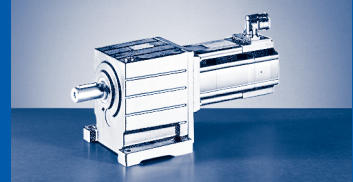
GST□□-□A (MCA)

$M_{2GN} \leq 196 \text{ Nm}$

GST07-1A				10IC40	13IC34	13IC41	14LC16	14LC20	14LC35	14LC41	17NC17	17NC23
				...S00	...F10	...S00	...F10	...S00	...F10	...S00	...F10	...S00
i	M_{2GN}	J_G	M_1	2.00	6.30	4.00	12.00	6.70	10.80	5.40	21.50	10.80
			n_1	3950	3410	4050	1635	2000	3455	4100	1680	2300
			I_{M400}	2.4	6.0	4.4	4.8	3.3	9.1	5.8	8.5	5.5
			P_N	0.80	2.20	1.70	2.10	1.40	3.90	2.30	3.80	2.60
			J_M	2.44	8.34	8.34	19.32	19.24	19.24	19.24	36.04	36.04
8.900	113	0.49	M_2	17								
			c	4.7								
			n_2 Eck	444								
			n_2 th	444								
8.900	164	0.49	M_2		55	34						
			c		2.3	3.4						
			n_2 Eck		383	455						
			n_2 th		383	455						
8.900	183	0.49	M_2				104	58	94	46		
			c				1.7	2.8	1.5	2.8		
			n_2 Eck				184	225	388	461		
			n_2 th				184	225	388	403		
11.250	114	0.32	M_2	22								
			c	3.7								
			n_2 Eck	351								
			n_2 th	351								
11.250	136	0.32	M_2		69	44						
			c		1.5	2.2						
			n_2 Eck		303	360						
			n_2 th		303	360						

$M \dots$ [Nm]
 $n \dots$ [r/min]
 $J \dots$ [kgcm²]

$P \dots$ [kW]
 $I \dots$ [A]
 $i \dots$ [-]
 $c \dots$ [-]



$M_{2GN} \leq 196 \text{ Nm}$

17NC35	17NC41	19SC17	19SC23	19SC35	19SC42	21XC17	21XC25	21XC42	GST07-1A			
...F10	...S00	...F10	...S00	...F10	...S00	...F10	...S00	...S00	M_1	J_G	M_{2GN}	i
19.00	9.50	36.30	16.30	36.00	12.00	61.40	24.60	17.00	n_1			
3480	4110	1700	2340	3510	4150	1710	2490	4160	I_{M400}			
15.8	10.2	13.9	8.2	28.7	14.0	22.5	13.5	19.8	P_N			
6.90	4.10	6.40	4.00	13.20	5.20	11.00	6.40	7.40	J_M			
36.04	36.04	72.12	72.12	72.04	72.12	180.04	180.04	180.04	M_2 c			
									$n_{2\text{ Eck}}$	0.49	113	8.900
									$n_{2\text{ th}}$			
									M_2 c			
									$n_{2\text{ Eck}}$	0.49	164	8.900
									$n_{2\text{ th}}$			
									M_2 c			
									$n_{2\text{ Eck}}$	0.49	183	8.900
									$n_{2\text{ th}}$			
									M_2 c			
									$n_{2\text{ Eck}}$	0.32	114	11.250
									$n_{2\text{ th}}$			
									M_2 c			
									$n_{2\text{ Eck}}$	0.32	136	11.250
									$n_{2\text{ th}}$			

M ... [Nm]
n ... [r/min]
J ... [kgcm²]

P ... [kW]
I ... [A]
i [-]
c [-]



GST [Nm]

GST□□-□A (MCA)

$M_{2GN} \leq 707 \text{ Nm}$

GST07-2A				10IC40	13IC34	13IC41	14LC16	14LC20	14LC35	14LC41	17NC17	17NC23	
				...500	...F10	...500	...F10	...500	...F10	...500	...F10	...500	
i	M_{2GN}	J_G	M_1	2.00	6.30	4.00	12.00	6.70	10.80	5.40	21.50	10.80	
			n_1	3950	3410	4050	1635	2000	3455	4100	1680	2300	
			I_{M400}	2.4	6.0	4.4	4.8	3.3	9.1	5.8	8.5	5.5	
			P_N	0.80	2.20	1.70	2.10	1.40	3.90	2.30	3.80	2.60	
			J_M	2.44	8.34	8.34	19.32	19.24	19.24	19.24	36.04	36.04	
3.048	317	8.20	M_2								61		
			c								4.8		
			n_2 Eck									551	
			n_2 th									551	
3.048	351	8.20	M_2										
			c										
			n_2 Eck										
			n_2 th										
3.350	349	7.92	M_2								67		
			c								4.8		
			n_2 Eck								502		
			n_2 th								502		
3.350	367	7.92	M_2										
			c										
			n_2 Eck										
			n_2 th										
4.225	398	7.65	M_2								85		
			c								4.4		
			n_2 Eck								398		
			n_2 th								398		
4.643	414	7.39	M_2								94		
			c								4.1		
			n_2 Eck								362		
			n_2 th								362		
5.200	405	5.64	M_2						52				
			c						5.6				
			n_2 Eck						664				
			n_2 th						560				
5.200	427	5.64	M_2								105		
			c								3.8		
			n_2 Eck								323		
			n_2 th								323		
5.714	445	5.46	M_2						57				
			c						5.6				
			n_2 Eck						605				
			n_2 th						510				
5.714	448	5.46	M_2								116		
			c								3.6		
			n_2 Eck								294		
			n_2 th								294		
6.400	463	4.49	M_2						64		130	64	
			c						5.2		3.3	6.0	
			n_2 Eck						540		263	359	
			n_2 th						466		263	359	
7.150	489	6.27	M_2								146	71	
			c								3.2	5.7	
			n_2 Eck								235	322	
			n_2 th								235	322	
8.125	539	6.04	M_2								166	81	
			c								3.1	5.5	
			n_2 Eck								207	283	
			n_2 th								207	283	

$M \dots$ [Nm]
 $n \dots$ [r/min]
 $J \dots$ [kgcm²]

$P \dots$ [kW]
 $I \dots$ [A]
 i [-]
 c [-]



$M_{2GN} \leq 707 \text{ Nm}$

17NC35	17NC41	19SC17	19SC23	19SC35	19SC42	21XC17	21XC25	21XC35	21XC42	GST07-2A			
...F10	...S00	...F10	...S00	...F10	...S00	...F10	...S00	...F10	...S00	M_1	J_G	M_{2GN}	i
19.00	9.50	36.30	16.30	36.00	12.00	61.40	24.60	55.00	17.00	n_1			
3480	4110	1700	2340	3510	4150	1710	2490	3520	4160	I_{M400}			
15.8	10.2	13.9	8.2	28.7	14.0	22.5	13.5	42.5	19.8	P_N			
6.90	4.10	6.40	4.00	13.20	5.20	11.00	6.40	20.30	7.40	J_M			
36.04	36.04	72.12	72.12	72.04	72.12	180.04	180.04	180.04	180.04	M_2			
54										c			
4.3										$n_{2\text{ Eck}}$	8.20	317	3.048
1142										$n_{2\text{ th}}$			
693													
		105		105		180	70	162	48	M_2			
		3.1		2.5		1.9	4.1	1.6	5.0	c	8.20	351	3.048
		558		1152		561	817	1155	1365	$n_{2\text{ Eck}}$			
		558		610		554	661	511	661	$n_{2\text{ th}}$			
60										M_2			
4.3										c	7.92	349	3.350
1039										$n_{2\text{ Eck}}$			
631										$n_{2\text{ th}}$			
		116	50	115		198	78	178	53	M_2			
		3.0	6.0	2.4		1.8	3.9	1.5	4.7	c	7.92	367	3.350
		508	699	1048		511	743	1051	1242	$n_{2\text{ Eck}}$			
		508	678	548		488	601	451	601	$n_{2\text{ th}}$			
76		146	64	146	47	250	98	225	67	M_2			
3.9		2.6	5.1	2.0	5.8	1.5	3.3	1.3	4.1	c	7.65	398	4.225
824		402	554	831	982	405	589	833	985	$n_{2\text{ Eck}}$			
564		402	554	487	580	405	477	386	477	$n_{2\text{ th}}$			
83		161	71	161	52	275	108	247	74	M_2			
3.7		2.4	4.9	1.9	5.5	1.4	3.2	1.3	3.9	c	7.39	414	4.643
750		366	504	756	894	368	536	758	896	$n_{2\text{ Eck}}$			
507		366	504	434	527	366	434	341	434	$n_{2\text{ th}}$			
										M_2			
										c	5.64	405	5.200
										$n_{2\text{ Eck}}$			
										$n_{2\text{ th}}$			
94		181	79	180	58	309	122	277	84	M_2			
3.4		2.2	4.5	1.8	5.0	1.3	2.9	1.2	3.6	c	5.64	427	5.200
669		327	450	675	798	329	479	677	800	$n_{2\text{ Eck}}$			
504		327	450	417	471	329	387	330	387	$n_{2\text{ th}}$			
										M_2			
										c	5.46	445	5.714
										$n_{2\text{ Eck}}$			
										$n_{2\text{ th}}$			
103		199	87	198	64	339	134	305	92	M_2			
3.2		2.1	4.3	1.7	4.8	1.3	2.8	1.1	3.4	c	5.46	448	5.714
609		298	410	614	726	299	436	616	728	$n_{2\text{ Eck}}$			
454		298	410	369	429	299	352	293	352	$n_{2\text{ th}}$			
116	56	223	98	222	72	381	150	341	103	M_2			
3.0	5.6	2.0	4.0	1.6	4.4	1.2	2.6	1.0	3.1	c	4.49	463	6.400
544	642	266	366	548	648	267	389	550	650	$n_{2\text{ Eck}}$			
415	472	266	366	332	383	267	315	269	315	$n_{2\text{ th}}$			
129	63	250	110	249	81	426	168		116	M_2			
2.8	5.3	1.9	3.7	1.5	4.2	1.1	2.4		3.0	c	6.27	489	7.150
487	575	238	327	491	580	239	348		582	$n_{2\text{ Eck}}$			
311	356	238	327	241	339	207	282		282	$n_{2\text{ th}}$			
147	72	284	125	283	92	484	191		131	M_2			
2.7	5.1	1.8	3.6	1.4	4.1	1.1	2.4		2.9	c	6.04	539	8.125
428	506	209	288	432	511	211	307		512	$n_{2\text{ Eck}}$			
271	311	209	288	209	297	180	248		248	$n_{2\text{ th}}$			

$M \dots$ [Nm]
 $n \dots$ [r/min]
 $J \dots$ [kgcm²]

$P \dots$ [kW]
 $I \dots$ [A]
 i [-]
 c [-]



GST [Nm]

GST□□-□A (MCA)

$M_{2GN} \leq 707 \text{ Nm}$

GST07-2A				10IC40	13IC34	13IC41	14LC16	14LC20	14LC35	14LC41	17NC17	17NC23
				...500	...F10	...500	...F10	...500	...F10	...500	...F10	...500
i	M_{2GN}	J_G	M_1	2.00	6.30	4.00	12.00	6.70	10.80	5.40	21.50	10.80
			n_1	3950	3410	4050	1635	2000	3455	4100	1680	2300
			I_{M400}	2.4	6.0	4.4	4.8	3.3	9.1	5.8	8.5	5.5
			P_N	0.80	2.20	1.70	2.10	1.40	3.90	2.30	3.80	2.60
			J_M	2.44	8.34	8.34	19.32	19.24	19.24	19.24	36.04	36.04
8.800	527	4.73	M_2				98		89		180	88
			c				5.0		4.3		2.8	5.0
			$n_{2 \text{ Eck}}$				186		393		191	261
			$n_{2 \text{ th}}$				186		314		191	261
9.856	549	3.90	M_2				110		100		202	99
			c				4.7		4.0		2.6	4.6
			$n_{2 \text{ Eck}}$				166		351		171	233
			$n_{2 \text{ th}}$				166		287		170	233
11.200	598	3.78	M_2				126		114		230	113
			c				4.5		3.9		2.5	4.4
			$n_{2 \text{ Eck}}$				146		309		150	205
			$n_{2 \text{ th}}$				146		251		150	205
12.571	513	2.86	M_2		74							
			c		5.1							
			$n_{2 \text{ Eck}}$		271							
			$n_{2 \text{ th}}$		271							
12.571	601	2.86	M_2				142		128		259	128
			c				4.0		3.5		2.2	4.0
			$n_{2 \text{ Eck}}$				130		275		134	183
			$n_{2 \text{ th}}$				130		255		134	183
14.286	583	2.79	M_2		84							
			c		5.1							
			$n_{2 \text{ Eck}}$		239							
			$n_{2 \text{ th}}$		239							
14.286	642	2.79	M_2				162		146		295	146
			c				3.8		3.3		2.1	3.7
			$n_{2 \text{ Eck}}$				115		242		118	161
			$n_{2 \text{ th}}$				114		222		118	161
15.400	644	2.26	M_2				175		157		318	156
			c				3.6		3.4		2.0	3.9
			$n_{2 \text{ Eck}}$				106		224		109	149
			$n_{2 \text{ th}}$				106		224		109	149
17.500	680	2.21	M_2				199	108	179		362	178
			c				3.3	6.0	3.2		1.9	3.7
			$n_{2 \text{ Eck}}$				93	114	197		96	131
			$n_{2 \text{ th}}$				93	114	197		96	131
20.044	650	1.38	M_2		118							
			c		4.6							
			$n_{2 \text{ Eck}}$		170							
			$n_{2 \text{ th}}$		170							
20.044	694	1.38	M_2				229	124	206	100	415	205
			c				3.0	5.3	2.8	5.4	1.7	3.3
			$n_{2 \text{ Eck}}$				82	100	172	205	84	115
			$n_{2 \text{ th}}$				82	100	172	179	84	115
22.778	682	1.35	M_2		135		261	143	235	115	473	234
			c		4.2		2.6	4.6	2.5	4.6	1.4	2.8
			$n_{2 \text{ Eck}}$		150		72	88	152	180	74	101
			$n_{2 \text{ th}}$		150		72	88	152	158	74	101
24.567	677	1.02	M_2		146	91						
			c		3.9	5.8						
			$n_{2 \text{ Eck}}$		139	165						
			$n_{2 \text{ th}}$		139	165						

$M \dots$ [Nm]
 $n \dots$ [r/min]
 $J \dots$ [kgcm²]

$P \dots$ [kW]
 $I \dots$ [A]
 $i \dots$ [-]
 $c \dots$ [-]



$M_{2GN} \leq 707 \text{ Nm}$

17NC35	17NC41	19SC17	19SC23	19SC35	19SC42	21XC17	21XC25	21XC35	21XC42	GST07-2A			
...F10	...S00	...F10	...S00	...F10	...S00	...F10	...S00	...F10	...S00	M_1	J_G	M_{2GN}	i
19.00	9.50	36.30	16.30	36.00	12.00	61.40	24.60	55.00	17.00	n_1			
3480	4110	1700	2340	3510	4150	1710	2490	3520	4160	I_{M400}			
15.8	10.2	13.9	8.2	28.7	14.0	22.5	13.5	42.5	19.8	P_N			
6.90	4.10	6.40	4.00	13.20	5.20	11.00	6.40	20.30	7.40	J_M			
36.04	36.04	72.12	72.12	72.04	72.12	180.04	180.04	180.04	180.04	M_2			
160	78	308	136	306	100		208		143	c	4.73	527	8.800
2.5	4.6	1.6	3.3	1.3	3.7		2.1		2.6	$n_{2 \text{ Eck}}$			
396	467	193	266	399	472		283		473	$n_{2 \text{ th}}$			
277	318	193	266	206	278		229		229				
179	88	345	153	344	112		233		160	M_2	3.90	549	9.856
2.3	4.3	1.5	3.0	1.2	3.4		2.0		2.4	c			
353	417	173	237	356	421		253		422	$n_{2 \text{ Eck}}$			
255	292	172	237	189	248		204		204	$n_{2 \text{ th}}$			
204	100	393	174	391	127		265		182	M_2	3.78	598	11.200
2.2	4.1	1.5	2.9	1.2	3.3		1.9		2.3	c			
311	367	152	209	313	371		222		371	$n_{2 \text{ Eck}}$			
222	254	152	209	163	219		180		180	$n_{2 \text{ th}}$			
										M_2	2.86	513	12.571
										c			
										$n_{2 \text{ Eck}}$			
										$n_{2 \text{ th}}$			
229	113	441	196	439	143					M_2	2.86	601	12.571
2.0	3.7	1.3	2.6	1.0	2.9					c			
277	327	135	186	279	330					$n_{2 \text{ Eck}}$			
226	247	135	186	161	195					$n_{2 \text{ th}}$			
										M_2	2.79	583	14.286
										c			
										$n_{2 \text{ Eck}}$			
										$n_{2 \text{ th}}$			
261	128	502	223		163					M_2	2.79	642	14.286
1.8	3.5	1.2	2.5		2.8					c			
244	288	119	164		291					$n_{2 \text{ Eck}}$			
192	218	119	164		171					$n_{2 \text{ th}}$			
281	138	541	240	538	176					M_2	2.26	644	15.400
2.0	3.7	1.2	2.6	1.0	2.9					c			
226	267	110	152	228	270					$n_{2 \text{ Eck}}$			
202	202	110	152	150	159					$n_{2 \text{ th}}$			
320	157	616	273		200					M_2	2.21	680	17.500
1.8	3.4	1.1	2.4		2.7					c			
199	235	97	134		237					$n_{2 \text{ Eck}}$			
171	178	97	134		140					$n_{2 \text{ th}}$			
										M_2	1.38	650	20.044
										c			
										$n_{2 \text{ Eck}}$			
										$n_{2 \text{ th}}$			
367	181									M_2	1.38	694	20.044
1.6	3.1									c			
174	205									$n_{2 \text{ Eck}}$			
155	155									$n_{2 \text{ th}}$			
418	206									M_2	1.35	682	22.778
1.4	2.6									c			
153	180									$n_{2 \text{ Eck}}$			
137	137									$n_{2 \text{ th}}$			
										M_2	1.02	677	24.567
										c			
										$n_{2 \text{ Eck}}$			
										$n_{2 \text{ th}}$			

M ... [Nm]
n ... [r/min]
J ... [kgcm²]

P ... [kW]
I ... [A]
i [-]
c [-]



GST [Nm]

GST□□-□A (MCA)

$M_{2GN} \leq 707 \text{ Nm}$

GST07-2A				10IC40	13IC34	13IC41	14LC16	14LC20	14LC35	14LC41	17NC17	17NC23
				...500	...F10	...500	...F10	...500	...F10	...500	...F10	...500
i	M_{2GN}	J_G	M_1	2.00	6.30	4.00	12.00	6.70	10.80	5.40	21.50	10.80
			n_1	3950	3410	4050	1635	2000	3455	4100	1680	2300
			I_{M400}	2.4	6.0	4.4	4.8	3.3	9.1	5.8	8.5	5.5
			P_N	0.80	2.20	1.70	2.10	1.40	3.90	2.30	3.80	2.60
			J_M	2.44	8.34	8.34	19.32	19.24	19.24	19.24	36.04	36.04
24.567	706	1.02	M_2				282	154	254	124	510	253
			c				2.5	4.4	2.4	4.5	1.4	2.7
			$n_{2 \text{ Eck}}$				67	81	141	167	68	94
			$n_{2 \text{ th}}$				67	81	141	146	68	94
27.917	691	1.01	M_2		166	104	321	176	289	142	581	289
			c		3.5	5.2	2.1	3.8	2.0	3.8	1.2	2.3
			$n_{2 \text{ Eck}}$		122	145	59	72	124	147	60	82
			$n_{2 \text{ th}}$		122	145	59	72	124	129	60	82
32.267	698	0.66	M_2		193	121						
			c		3.1	4.6						
			$n_{2 \text{ Eck}}$		106	126						
			$n_{2 \text{ th}}$		106	126						
32.267	706	0.66	M_2				372	205	335	165		
			c				1.9	3.4	1.8	3.4		
			$n_{2 \text{ Eck}}$				51	62	107	127		
			$n_{2 \text{ th}}$				51	62	107	111		
36.667	702	0.65	M_2		220	138	424	234	382	188		
			c		2.7	4.0	1.6	3.0	1.6	3.0		
			$n_{2 \text{ Eck}}$		93	111	45	55	94	112		
			$n_{2 \text{ th}}$		93	110	45	55	94	98		
39.160	491	0.49	M_2	73								
			c	5.3								
			$n_{2 \text{ Eck}}$	101								
			$n_{2 \text{ th}}$	101								
39.160	706	0.49	M_2		236	148	453	250	408	201		
			c		2.6	3.8	1.6	2.8	1.5	2.8		
			$n_{2 \text{ Eck}}$		87	103	42	51	88	105		
			$n_{2 \text{ th}}$		87	103	42	51	88	92		
44.500	558	0.48	M_2	82								
			c	5.9								
			$n_{2 \text{ Eck}}$	89								
			$n_{2 \text{ th}}$	89								
44.500	707	0.48	M_2		268	168	516	285	464	229		
			c		2.5	3.7	1.4	2.4	1.5	2.7		
			$n_{2 \text{ Eck}}$		77	91	37	45	78	92		
			$n_{2 \text{ th}}$		77	91	37	45	78	81		
49.500	493	0.33	M_2	92								
			c	4.7								
			$n_{2 \text{ Eck}}$	80								
			$n_{2 \text{ th}}$	80								
49.500	600	0.33	M_2		300	188						
			c		1.9	2.8						
			$n_{2 \text{ Eck}}$		69	82						
			$n_{2 \text{ th}}$		69	82						
56.250	560	0.33	M_2	105								
			c	4.7								
			$n_{2 \text{ Eck}}$	70								
			$n_{2 \text{ th}}$	70								
56.250	688	0.33	M_2		341	214						
			c		1.9	2.9						
			$n_{2 \text{ Eck}}$		61	72						
			$n_{2 \text{ th}}$		61	72						

$M \dots$ [Nm]
 $n \dots$ [r/min]
 $J \dots$ [kgcm²]

$P \dots$ [kW]
 $I \dots$ [A]
 i [-]
 c [-]



$M_{2GN} \leq 707 \text{ Nm}$

17NC35	17NC41	19SC17	19SC23	19SC35	19SC42	21XC17	21XC25	21XC35	21XC42	GST07-2A			
...F10	...S00	...F10	...S00	...F10	...S00	...F10	...S00	...F10	...S00	M_1	J_G	M_{2GN}	i
19.00	9.50	36.30	16.30	36.00	12.00	61.40	24.60	55.00	17.00	n_1			
3480	4110	1700	2340	3510	4150	1710	2490	3520	4160	I_{M400}			
15.8	10.2	13.9	8.2	28.7	14.0	22.5	13.5	42.5	19.8	P_N			
6.90	4.10	6.40	4.00	13.20	5.20	11.00	6.40	20.30	7.40	J_M			
36.04	36.04	72.12	72.12	72.04	72.12	180.04	180.04	180.04	180.04	M_2			
451	223									c			
1.3	2.5									n_{2Eck}	1.02	706	24.567
142	167									n_{2th}			
127	127									M_2			
514	254									c			
1.2	2.2									n_{2Eck}	1.01	691	27.917
125	147									n_{2th}			
111	111									M_2			
										c			
										n_{2Eck}	0.66	698	32.267
										n_{2th}			
										M_2			
										c			
										n_{2Eck}	0.66	706	32.267
										n_{2th}			
										M_2			
										c			
										n_{2Eck}	0.65	702	36.667
										n_{2th}			
										M_2			
										c			
										n_{2Eck}	0.49	491	39.160
										n_{2th}			
										M_2			
										c			
										n_{2Eck}	0.49	706	39.160
										n_{2th}			
										M_2			
										c			
										n_{2Eck}	0.48	558	44.500
										n_{2th}			
										M_2			
										c			
										n_{2Eck}	0.48	707	44.500
										n_{2th}			
										M_2			
										c			
										n_{2Eck}	0.33	493	49.500
										n_{2th}			
										M_2			
										c			
										n_{2Eck}	0.33	600	49.500
										n_{2th}			
										M_2			
										c			
										n_{2Eck}	0.33	560	56.250
										n_{2th}			
										M_2			
										c			
										n_{2Eck}	0.33	688	56.250
										n_{2th}			

M ... [Nm]
n ... [r/min]
J ... [kgcm²]

P ... [kW]
I ... [A]
i [-]
c [-]



GST [Nm]

GST□□-□A (MCA)

$M_{2GN} \leq 710 \text{ Nm}$

GST07-3A				10IC40	13IC34	13IC41	14LC16	14LC20	14LC35	14LC41
				...500	...F10	...500	...F10	...500	...F10	...500
i	M_{2GN}	J_G	M_1							
			n_1	3950	3410	4050	1635	2000	3455	4100
			I_{M400}	2.4	6.0	4.4	4.8	3.3	9.1	5.8
			P_N	0.80	2.20	1.70	2.10	1.40	3.90	2.30
			J_M	2.44	8.34	8.34	19.32	19.24	19.24	19.24
39.200	692	0.97	M_2		232	146	447	246	403	199
			c		2.5	3.8	1.5	2.8	1.5	2.8
			n_2 Eck		87	103	42	51	88	105
			n_2 th		87	103	42	51	88	92
44.000	706	0.53	M_2		261	163	502	277	452	223
			c		2.6	3.8	1.4	2.5	1.5	2.8
			n_2 Eck		78	92	37	46	79	93
			n_2 th		78	92	37	45	79	82
51.022	700	0.84	M_2		303	190	584	323	525	259
			c		2.2	3.3	1.2	2.1	1.3	2.4
			n_2 Eck		67	79	32	39	68	80
			n_2 th		67	79	32	39	68	70
53.900	706	0.48	M_2		321	202	617	341	555	274
			c		2.1	3.1	1.1	2.1	1.2	2.3
			n_2 Eck		63	75	30	37	64	76
			n_2 th		63	75	30	37	64	67
65.079	707	0.31	M_2	119	389	245				
			c	5.2	1.7	2.6				
			n_2 Eck	61	52	62				
			n_2 th	61	52	62				
70.156	706	0.43	M_2	129	420	264		447		359
			c	4.8	1.6	2.4		1.6		1.8
			n_2 Eck	56	49	58		29		58
			n_2 th	56	49	58		29		51
79.762	710	0.54	M_2	147	478	301		509		409
			c	4.3	1.4	2.1		1.4		1.6
			n_2 Eck	50	43	51		25		51
			n_2 th	50	43	51		25		45
85.983	706	0.40	M_2	159	516	325		549		442
			c	3.9	1.3	1.9		1.3		1.4
			n_2 Eck	46	40	47		23		48
			n_2 th	46	40	47		23		42
97.708	710	0.40	M_2	182	587	371		625		503
			c	3.5	1.2	1.7		1.1		1.3
			n_2 Eck	40	35	42		21		42
			n_2 th	40	35	41		20		37
111.915	706	0.24	M_2	209	674	426				
			c	3.0	1.0	1.5				
			n_2 Eck	35	31	36				
			n_2 th	35	30	36				
127.176	710	0.24	M_2	239		485				
			c	2.7		1.3				
			n_2 Eck	31		32				
			n_2 th	31		32				
139.211	706	0.17	M_2	262		531				
			c	2.4		1.2				
			n_2 Eck	28		29				
			n_2 th	28		29				
158.194	710	0.17	M_2	299		604				
			c	2.1		1.1				
			n_2 Eck	25		26				
			n_2 th	25		26				

$M \dots$ [Nm]
 $n \dots$ [r/min]
 $J \dots$ [kgcm²]

$P \dots$ [kW]
 $I \dots$ [A]
 i [-]
 c [-]



$M_{2GN} \leq 710 \text{ Nm}$

GST07-3A				10IC40	13IC34	13IC41	14LC16	14LC20	14LC35	14LC41
				...500	...F10	...500	...F10	...500	...F10	...500
i	M_{2GN}	J_G	M_1							
			n_1	2.00	6.30	4.00	12.00	6.70	10.80	5.40
			I_{M400}	3950	3410	4050	1635	2000	3455	4100
			P_N	2.4	6.0	4.4	4.8	3.3	9.1	5.8
			J_M	0.80	2.20	1.70	2.10	1.40	3.90	2.30
			M_2	2.44	8.34	8.34	19.32	19.24	19.24	19.24
			c	341						
180.156	706	0.11	n_2 Eck	1.9						
			n_2 th	22						
			M_2	22						
204.722	710	0.11	c	389						
			n_2 Eck	1.7						
			n_2 th	19						
			M_2	19						
236.622	706	0.10	c	450						
			n_2 Eck	1.4						
			n_2 th	17						
			M_2	17						
248.458	710	0.08	c	473						
			n_2 Eck	1.4						
			n_2 th	16						
			M_2	16						
268.889	710	0.10	c	513						
			n_2 Eck	1.3						
			n_2 th	15						
			M_2	15						
326.333	710	0.07	c	623						
			n_2 Eck	1.0						
			n_2 th	12						
			M_2	12						

M ... [Nm]
n ... [r/min]
J ... [kgcm²]

P ... [kW]
I ... [A]
i [-]
c [-]



GST [Nm]

GST□□-□A (MCA)

$M_{2GN} \leq 465 \text{ Nm}$

GST09-1A				14LC16	14LC20	14LC35	14LC41	17NC17	17NC23	17NC35	17NC41
				...F10	...S00	...F10	...S00	...F10	...S00	...F10	...S00
i	M_{2GN}	J_G	M_1								
			n_1	12.00	6.70	10.80	5.40	21.50	10.80	19.00	9.50
			I_{M400}	1635	2000	3455	4100	1680	2300	3480	4110
			P_N	4.8	3.3	9.1	5.8	8.5	5.5	15.8	10.2
			J_M	2.10	1.40	3.90	2.30	3.80	2.60	6.90	4.10
			M_2	19.32	19.24	19.24	19.24	36.04	36.04	36.04	36.04
			c								
1.560	277	22.20	$n_{2 \text{ Eck}}$								
			$n_{2 \text{ th}}$								
			M_2					41		37	
			c					5.3		4.7	
2.048	239	15.60	$n_{2 \text{ Eck}}$					821		1700	
			$n_{2 \text{ th}}$					820		1109	
			M_2								
			c								
2.048	338	15.60	$n_{2 \text{ Eck}}$								
			$n_{2 \text{ th}}$								
			M_2					48		42	
			c					4.8		4.2	
2.333	245	12.20	$n_{2 \text{ Eck}}$					720		1491	
			$n_{2 \text{ th}}$					720		1042	
			M_2								
			c								
2.333	370	12.20	$n_{2 \text{ Eck}}$								
			$n_{2 \text{ th}}$								
			M_2			28					
			c			5.6					
2.810	221	9.58	$n_{2 \text{ Eck}}$			1230					
			$n_{2 \text{ th}}$			1035					
			M_2					58		51	
			c					4.2		3.7	
2.810	259	9.58	$n_{2 \text{ Eck}}$					598		1239	
			$n_{2 \text{ th}}$					598		952	
			M_2								
			c								
2.810	418	9.58	$n_{2 \text{ Eck}}$								
			$n_{2 \text{ th}}$								
			M_2					71		63	
			c					3.6		3.2	
3.444	272	7.30	$n_{2 \text{ Eck}}$					488		1010	
			$n_{2 \text{ th}}$					488		818	
			M_2								
			c								
3.444	443	7.30	$n_{2 \text{ Eck}}$								
			$n_{2 \text{ th}}$								
			M_2	53		48					
			c	4.3		3.8					
4.667	247	4.60	$n_{2 \text{ Eck}}$	350		740					
			$n_{2 \text{ th}}$	350		740					
			M_2					97	48	86	42
			c					2.8	5.0	2.5	4.7
4.667	289	4.60	$n_{2 \text{ Eck}}$					360	493	746	881
			$n_{2 \text{ th}}$					360	493	667	667
			M_2								
			c								
4.667	379	4.60	$n_{2 \text{ Eck}}$								
			$n_{2 \text{ th}}$								

$M \dots$ [Nm]
 $n \dots$ [r/min]
 $J \dots$ [kgcm²]

$P \dots$ [kW]
 $I \dots$ [A]
 i [-]
 c [-]

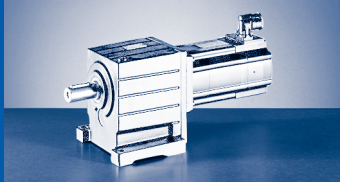


$M_{2GN} \leq 465 \text{ Nm}$

19SC17	19SC23	19SC35	19SC42	21XC17	21XC25	21XC35	21XC42	GST09-1A			
...F10	...S00	...F10	...S00	...F10	...S00	...F10	...S00	M_1	J_G	M_{2GN}	i
36.30	16.30	36.00	12.00	61.40	24.60	55.00	17.00	n_1			
1700	2340	3510	4150	1710	2490	3520	4160	I_{M400}			
13.9	8.2	28.7	14.0	22.5	13.5	42.5	19.8	P_N			
6.40	4.00	13.20	5.20	11.00	6.40	20.30	7.40	J_M			
72.12	72.12	72.04	72.12	180.04	180.04	180.04	180.04	M_2			
54		54		93		83		c	22.20	277	1.560
4.8		3.8		2.8		2.5		$n_{2 \text{ Eck}}$			
1090		2250		1096		2256		$n_{2 \text{ th}}$			
1090		1219		1096		1101		M_2			
								c	15.60	239	2.048
								$n_{2 \text{ Eck}}$			
								$n_{2 \text{ th}}$			
71		71		122	47	109		M_2	15.60	338	2.048
4.4		3.5		2.6	5.8	2.3		c			
830		1714		835	1216	1719		$n_{2 \text{ Eck}}$			
830		1041		835	983	943		$n_{2 \text{ th}}$			
								M_2	12.20	245	2.333
								c			
								$n_{2 \text{ Eck}}$			
								$n_{2 \text{ th}}$			
81		81		139	54	125		M_2	12.20	370	2.333
4.3		3.4		2.5	5.5	2.2		c			
729		1504		733	1067	1509		$n_{2 \text{ Eck}}$			
729		991		733	863	863		$n_{2 \text{ th}}$			
								M_2	9.58	221	2.810
								c			
								$n_{2 \text{ Eck}}$			
								$n_{2 \text{ th}}$			
								M_2	9.58	259	2.810
								c			
								$n_{2 \text{ Eck}}$			
								$n_{2 \text{ th}}$			
97		97		168	65	151		M_2	9.58	418	2.810
4.0		3.2		2.4	5.2	2.1		c			
605		1249		609	886	1253		$n_{2 \text{ Eck}}$			
605		872		609	717	717		$n_{2 \text{ th}}$			
								M_2	7.30	272	3.444
								c			
								$n_{2 \text{ Eck}}$			
								$n_{2 \text{ th}}$			
120		120		206	81	185	55	M_2	7.30	443	3.444
3.5		2.7		2.0	4.5	1.8	5.5	c			
494		1019		497	723	1022	1208	$n_{2 \text{ Eck}}$			
494		711		496	585	585	585	$n_{2 \text{ th}}$			
								M_2	4.60	247	4.667
								c			
								$n_{2 \text{ Eck}}$			
								$n_{2 \text{ th}}$			
								M_2	4.60	289	4.667
								c			
								$n_{2 \text{ Eck}}$			
								$n_{2 \text{ th}}$			
165	72	164	53					M_2	4.60	379	4.667
2.2	4.4	1.7	4.9					c			
364	501	752	889					$n_{2 \text{ Eck}}$			
364	501	525	525					$n_{2 \text{ th}}$			

M ... [Nm]
n ... [r/min]
J ... [kgcm²]

P ... [kW]
I ... [A]
i [-]
c [-]



GST [Nm]

GST□□-□A (MCA)

$M_{2GN} \leq 465 \text{ Nm}$

GST09-1A				14LC16	14LC20	14LC35	14LC41	17NC17	17NC23	17NC35	17NC41
				...F10	...500	...F10	...500	...F10	...500	...F10	...500
i	M_{2GN}	J_G	M_1	12.00	6.70	10.80	5.40	21.50	10.80	19.00	9.50
			n_1	1635	2000	3455	4100	1680	2300	3480	4110
			I_{M400}	4.8	3.3	9.1	5.8	8.5	5.5	15.8	10.2
			P_N	2.10	1.40	3.90	2.30	3.80	2.60	6.90	4.10
			J_M	19.32	19.24	19.24	19.24	36.04	36.04	36.04	36.04
5.667	256	3.51	M_2	65		59					
			c	3.7		3.2					
			$n_{2 \text{ Eck}}$	289		610					
			$n_{2 \text{ th}}$	289		610					
5.667	299	3.51	M_2					118	58	105	51
			c					2.4	4.3	2.1	4.0
			$n_{2 \text{ Eck}}$					297	406	614	725
			$n_{2 \text{ th}}$					296	406	549	549
5.667	465	3.51	M_2								
			c								
			$n_{2 \text{ Eck}}$								
			$n_{2 \text{ th}}$								
7.333	265	2.26	M_2	85	46	77	37				
			c	3.0	5.0	2.6	4.9				
			$n_{2 \text{ Eck}}$	223	273	471	559				
			$n_{2 \text{ th}}$	223	273	471	490				
7.333	310	2.26	M_2					154	76	136	67
			c					1.9	3.4	1.7	3.2
			$n_{2 \text{ Eck}}$					229	314	475	561
			$n_{2 \text{ th}}$					229	314	424	424
8.900	269	1.66	M_2	104	57	94	46				
			c	2.5	4.2	2.2	4.1				
			$n_{2 \text{ Eck}}$	184	225	388	461				
			$n_{2 \text{ th}}$	184	225	388	403				
8.900	315	1.66	M_2					187	93	166	82
			c					1.6	2.9	1.4	2.7
			$n_{2 \text{ Eck}}$					189	258	391	462
			$n_{2 \text{ th}}$					189	258	350	350
11.250	273	1.11	M_2	132	72	119	58				
			c	2.0	3.3	1.7	3.3				
			$n_{2 \text{ Eck}}$	145	178	307	364				
			$n_{2 \text{ th}}$	145	178	307	319				

$M \dots$ [Nm]
 $n \dots$ [r/min]
 $J \dots$ [kgcm²]

$P \dots$ [kW]
 $I \dots$ [A]
 i [-]
 c [-]



$M_{2GN} \leq 465 \text{ Nm}$

195C17	195C23	195C35	195C42	21XC17	21XC25	21XC35	21XC42	GST09-1A			
...F10	...S00	...F10	...S00	...F10	...S00	...F10	...S00	M_1	J_G	M_{2GN}	i
36.30	16.30	36.00	12.00	61.40	24.60	55.00	17.00	n_1			
1700	2340	3510	4150	1710	2490	3520	4160	I_{M400}			
13.9	8.2	28.7	14.0	22.5	13.5	42.5	19.8	P_N			
6.40	4.00	13.20	5.20	11.00	6.40	20.30	7.40	J_M			
72.12	72.12	72.04	72.12	180.04	180.04	180.04	180.04	M_2 c			
								$n_{2\text{ Eck}}$	3.51	256	5.667
								$n_{2\text{ th}}$			
								M_2 c			
								$n_{2\text{ Eck}}$	3.51	299	5.667
								$n_{2\text{ th}}$			
200	88	199	64					M_2 c			
2.2	4.4	1.7	5.0					$n_{2\text{ Eck}}$	3.51	465	5.667
300	413	619	732					$n_{2\text{ th}}$			
300	413	432	432					M_2 c			
								$n_{2\text{ Eck}}$	2.26	265	7.333
								$n_{2\text{ th}}$			
								M_2 c			
								$n_{2\text{ Eck}}$	2.26	310	7.333
								$n_{2\text{ th}}$			
								M_2 c			
								$n_{2\text{ Eck}}$	1.66	269	8.900
								$n_{2\text{ th}}$			
								M_2 c			
								$n_{2\text{ Eck}}$	1.66	315	8.900
								$n_{2\text{ th}}$			
								M_2 c			
								$n_{2\text{ Eck}}$	1.11	273	11.250
								$n_{2\text{ th}}$			

M ... [Nm]
n ... [r/min]
J ... [kgcm²]

P ... [kW]
I ... [A]
i [-]
c [-]



GST [Nm]

GST□□-□A (MCA)

$M_{2GN} \leq 1582 \text{ Nm}$

GST09-2A				14LC16	14LC20	14LC35	14LC41	17NC17	17NC23	17NC35	17NC41
				...F10	...S00	...F10	...S00	...F10	...S00	...F10	...S00
i	M_{2GN}	J_G	M_1								
			n_1	12.00	6.70	10.80	5.40	21.50	10.80	19.00	9.50
			I_{M400}	1635	2000	3455	4100	1680	2300	3480	4110
			P_N	4.8	3.3	9.1	5.8	8.5	5.5	15.8	10.2
			J_M	2.10	1.40	3.90	2.30	3.80	2.60	6.90	4.10
			M_2	19.32	19.24	19.24	19.24	36.04	36.04	36.04	36.04
4.056	878	27.00	c								
			n_2 Eck								
			n_2 th								
4.457	931	25.90	M_2								
			c								
			n_2 Eck								
			n_2 th								
5.324	613	18.10	M_2					106		94	
			c					5.3		4.7	
			n_2 Eck					316		654	
			n_2 th					316		426	
5.324	993	18.10	M_2								
			c								
			n_2 Eck								
			n_2 th								
5.850	674	17.50	M_2					117		104	
			c					5.3		4.7	
			n_2 Eck					287		595	
			n_2 th					287		388	
5.850	1020	17.50	M_2								
			c								
			n_2 Eck								
			n_2 th								
6.667	690	14.20	M_2					134		119	
			c					4.8		4.2	
			n_2 Eck					252		522	
			n_2 th					252		365	
6.667	1065	14.20	M_2								
			c								
			n_2 Eck								
			n_2 th								
7.305	566	11.30	M_2			73					
			c			5.6					
			n_2 Eck			473					
			n_2 th			398					
7.305	663	11.30	M_2					147		131	
			c					4.2		3.7	
			n_2 Eck					230		476	
			n_2 th					230		366	
7.305	1103	11.30	M_2								
			c								
			n_2 Eck								
			n_2 th								
8.027	622	11.00	M_2			80					
			c			5.6					
			n_2 Eck			430					
			n_2 th			362					
8.027	728	11.00	M_2					162		144	
			c					4.2		3.7	
			n_2 Eck					209		434	
			n_2 th					209		333	

$M \dots$ [Nm]
 $n \dots$ [r/min]
 $J \dots$ [kgcm²]

$P \dots$ [kW]
 $I \dots$ [A]
 i [-]
 c [-]



$M_{2GN} \leq 1582 \text{ Nm}$

195C17	195C23	195C35	195C42	21XC17	21XC25	21XC35	21XC42	GST09-2A			
...F10	...S00	...F10	...S00	...F10	...S00	...F10	...S00	M_1	J_G	M_{2GN}	i
36.30	16.30	36.00	12.00	61.40	24.60	55.00	17.00	n_1			
1700	2340	3510	4150	1710	2490	3520	4160	I_{M400}			
13.9	8.2	28.7	14.0	22.5	13.5	42.5	19.8	P_N			
6.40	4.00	13.20	5.20	11.00	6.40	20.30	7.40	J_M			
72.12	72.12	72.04	72.12	180.04	180.04	180.04	180.04	M_2			
136		136		235		212		c	27.00	878	4.056
5.9		4.7		3.5		3.1		$n_{2 \text{ Eck}}$			
419		865		422		868		$n_{2 \text{ th}}$			
419		492		422		446					
149		150		259		233		M_2	25.90	931	4.457
5.7		4.5		3.4		3.0		c			
381		788		384		790		$n_{2 \text{ Eck}}$			
381		444		384		403		$n_{2 \text{ th}}$			
								M_2	18.10	613	5.324
								c			
								$n_{2 \text{ Eck}}$			
								$n_{2 \text{ th}}$			
180		180		311		279		M_2	18.10	993	5.324
5.1		4.0		3.0		2.6		c			
319		659		321		661		$n_{2 \text{ Eck}}$			
319		412		321		375		$n_{2 \text{ th}}$			
								M_2	17.50	674	5.850
								c			
								$n_{2 \text{ Eck}}$			
								$n_{2 \text{ th}}$			
198		199		342		307		M_2	17.50	1020	5.850
4.8		3.8		2.8		2.5		c			
291		600		292		602		$n_{2 \text{ Eck}}$			
291		370		292		336		$n_{2 \text{ th}}$			
								M_2	14.20	690	6.667
								c			
								$n_{2 \text{ Eck}}$			
								$n_{2 \text{ th}}$			
227		227		391	151	351		M_2	14.20	1065	6.667
4.4		3.5		2.6	5.7	2.3		c			
255		527		257	374	528		$n_{2 \text{ Eck}}$			
255		349		257	302	302		$n_{2 \text{ th}}$			
								M_2	11.30	566	7.305
								c			
								$n_{2 \text{ Eck}}$			
								$n_{2 \text{ th}}$			
								M_2	11.30	663	7.305
								c			
								$n_{2 \text{ Eck}}$			
								$n_{2 \text{ th}}$			
249		249		429	167	385		M_2	11.30	1103	7.305
4.1		3.3		2.4	5.4	2.1		c			
233		481		234	341	482		$n_{2 \text{ Eck}}$			
233		335		234	276	276		$n_{2 \text{ th}}$			
								M_2	11.00	622	8.027
								c			
								$n_{2 \text{ Eck}}$			
								$n_{2 \text{ th}}$			
								M_2	11.00	728	8.027
								c			
								$n_{2 \text{ Eck}}$			
								$n_{2 \text{ th}}$			

$M \dots$ [Nm]
 $n \dots$ [r/min]
 $J \dots$ [kgcm²]

$P \dots$ [kW]
 $I \dots$ [A]
 i [-]
 c [-]



GST [Nm]

GST□□-□A (MCA)

$M_{2GN} \leq 1582 \text{ Nm}$

GST09-2A				14LC16	14LC20	14LC35	14LC41	17NC17	17NC23	17NC35	17NC41
				...F10	...S00	...F10	...S00	...F10	...S00	...F10	...S00
i	M_{2GN}	J_G	M_1	12.00	6.70	10.80	5.40	21.50	10.80	19.00	9.50
			n_1	1635	2000	3455	4100	1680	2300	3480	4110
			I_{M400}	4.8	3.3	9.1	5.8	8.5	5.5	15.8	10.2
			P_N	2.10	1.40	3.90	2.30	3.80	2.60	6.90	4.10
			J_M	19.32	19.24	19.24	19.24	36.04	36.04	36.04	36.04
			M_2								
8.027	1133	11.00	c								
			n_2 Eck								
			n_2 th								
			M_2					180		160	
9.010	1037	15.20	c					5.3		4.7	
			n_2 Eck					187		386	
			n_2 th					186		252	
			M_2								
9.010	1128	15.20	c								
			n_2 Eck								
			n_2 th								
			M_2					206		183	
10.267	1063	12.40	c					4.8		4.2	
			n_2 Eck					164		339	
			n_2 th					164		237	
			M_2								
10.267	1178	12.40	c								
			n_2 Eck								
			n_2 th								
			M_2					234		208	
11.667	1206	12.10	c					4.8		4.2	
			n_2 Eck					144		298	
			n_2 th					144		208	
			M_2			123					
12.362	958	9.79	c			5.6					
			n_2 Eck			280					
			n_2 th			235					
			M_2					249		222	
12.362	1121	9.79	c					4.2		3.7	
			n_2 Eck					136		282	
			n_2 th					136		216	
			M_2								
12.362	1253	9.79	c								
			n_2 Eck								
			n_2 th								
			M_2			140					
14.048	1088	9.53	c			5.6					
			n_2 Eck			246					
			n_2 th			207					
			M_2					283		252	
14.048	1274	9.53	c					4.2		3.7	
			n_2 Eck					120		248	
			n_2 th					120		190	
			M_2								
14.048	1283	9.53	c								
			n_2 Eck								
			n_2 th								
			M_2					307		272	
15.156	1179	7.65	c					3.7		3.6	
			n_2 Eck					111		230	
			n_2 th					111		191	

$M \dots$ [Nm]
 $n \dots$ [r/min]
 $J \dots$ [kgcm²]

$P \dots$ [kW]
 $I \dots$ [A]
 i [-]
 c [-]



$M_{2GN} \leq 1582 \text{ Nm}$

195C17	195C23	195C35	195C42	21XC17	21XC25	21XC35	21XC42	GST09-2A			
...F10	...S00	...F10	...S00	...F10	...S00	...F10	...S00	M_1	J_G	M_{2GN}	i
36.30	16.30	36.00	12.00	61.40	24.60	55.00	17.00	n_1			
1700	2340	3510	4150	1710	2490	3520	4160	I_{M400}			
13.9	8.2	28.7	14.0	22.5	13.5	42.5	19.8	P_N			
6.40	4.00	13.20	5.20	11.00	6.40	20.30	7.40	J_M			
72.12	72.12	72.04	72.12	180.04	180.04	180.04	180.04	M_2			
274		274		472	184	424		c	11.00	1133	8.027
3.8		3.0		2.3	5.0	2.0		$n_{2\text{ Eck}}$			
212		437		213	310	439		$n_{2\text{ th}}$			
212		305		213	251	251		M_2			
								c	15.20	1037	9.010
								$n_{2\text{ Eck}}$			
								$n_{2\text{ th}}$			
309		309		531	207	477	142	M_2			
3.4		2.7		2.0	4.4	1.8	5.4	c	15.20	1128	9.010
189		390		190	276	391	462	$n_{2\text{ Eck}}$			
189		223		190	223	194	223	$n_{2\text{ th}}$			
								M_2			
								c	12.40	1063	10.267
								$n_{2\text{ Eck}}$			
								$n_{2\text{ th}}$			
354		353		606	237	544	162	M_2			
3.1		2.5		1.8	4.1	1.6	5.0	c	12.40	1178	10.267
166		342		167	243	343	405	$n_{2\text{ Eck}}$			
166		210		167	196	177	196	$n_{2\text{ th}}$			
403	176	402		690	271	620	186	M_2			
2.8	5.6	2.2		1.7	3.7	1.5	4.5	c	12.10	1206	11.667
146	201	301		147	213	302	357	$n_{2\text{ Eck}}$			
146	201	180		147	173	147	173	$n_{2\text{ th}}$			
								M_2			
								c	9.79	958	12.362
								$n_{2\text{ Eck}}$			
								$n_{2\text{ th}}$			
								M_2			
								c	9.79	1121	12.362
								$n_{2\text{ Eck}}$			
								$n_{2\text{ th}}$			
427	186	427		732	287	657	197	M_2			
2.8	5.5	2.2		1.6	3.6	1.4	4.4	c	9.79	1253	12.362
138	189	284		138	201	285	337	$n_{2\text{ Eck}}$			
138	189	192		138	163	155	163	$n_{2\text{ th}}$			
								M_2			
								c	9.53	1088	14.048
								$n_{2\text{ Eck}}$			
								$n_{2\text{ th}}$			
								M_2			
								c	9.53	1274	14.048
								$n_{2\text{ Eck}}$			
								$n_{2\text{ th}}$			
487	213	486	156	833	328	747	225	M_2			
2.5	5.0	2.0	5.6	1.5	3.2	1.3	3.9	c	9.53	1283	14.048
121	167	250	295	122	177	251	296	$n_{2\text{ Eck}}$			
121	167	165	174	122	143	129	143	$n_{2\text{ th}}$			
								M_2			
								c	7.65	1179	15.156
								$n_{2\text{ Eck}}$			
								$n_{2\text{ th}}$			

M ... [Nm]
n ... [r/min]
J ... [kgcm²]

P ... [kW]
I ... [A]
i [-]
c [-]



GST [Nm]

GST□□-□A (MCA)

$M_{2GN} \leq 1582 \text{ Nm}$

GST09-2A				14LC16	14LC20	14LC35	14LC41	17NC17	17NC23	17NC35	17NC41
				...F10	...S00	...F10	...S00	...F10	...S00	...F10	...S00
i	M_{2GN}	J_G	M_1	12.00	6.70	10.80	5.40	21.50	10.80	19.00	9.50
			n_1	1635	2000	3455	4100	1680	2300	3480	4110
			I_{M400}	4.8	3.3	9.1	5.8	8.5	5.5	15.8	10.2
			P_N	2.10	1.40	3.90	2.30	3.80	2.60	6.90	4.10
			J_M	19.32	19.24	19.24	19.24	36.04	36.04	36.04	36.04
15.156	1340	7.65	M_2								
			c								
			$n_{2 \text{ Eck}}$								
			$n_{2 \text{ th}}$								
17.222	1340	7.49	M_2					349		309	
			c					3.7		3.6	
			$n_{2 \text{ Eck}}$					98		202	
			$n_{2 \text{ th}}$					98		168	
17.222	1373	7.49	M_2								
			c								
			$n_{2 \text{ Eck}}$								
			$n_{2 \text{ th}}$								
20.533	1068	4.50	M_2	231		208					
			c	4.5		4.3					
			$n_{2 \text{ Eck}}$	80		168					
			$n_{2 \text{ th}}$	80		168					
20.533	1251	4.50	M_2					420	205	371	181
			c					2.9	5.7	2.8	5.4
			$n_{2 \text{ Eck}}$					82	112	170	200
			$n_{2 \text{ th}}$					82	112	152	152
20.533	1484	4.50	M_2								
			c								
			$n_{2 \text{ Eck}}$								
			$n_{2 \text{ th}}$								
23.333	1214	4.41	M_2	262		236					
			c	4.5		4.3					
			$n_{2 \text{ Eck}}$	70		148					
			$n_{2 \text{ th}}$	70		148					
23.333	1421	4.41	M_2					477	233	422	205
			c					2.9	5.7	2.8	5.4
			$n_{2 \text{ Eck}}$					72	99	149	176
			$n_{2 \text{ th}}$					72	99	133	133
23.333	1508	4.41	M_2								
			c								
			$n_{2 \text{ Eck}}$								
			$n_{2 \text{ th}}$								
24.933	1107	3.38	M_2	282		254					
			c	3.8		3.7					
			$n_{2 \text{ Eck}}$	66		139					
			$n_{2 \text{ th}}$	66		139					
24.933	1296	3.38	M_2					512	251	453	221
			c					2.5	4.9	2.4	4.6
			$n_{2 \text{ Eck}}$					67	92	140	165
			$n_{2 \text{ th}}$					67	92	125	125
24.933	1582	3.38	M_2								
			c								
			$n_{2 \text{ Eck}}$								
			$n_{2 \text{ th}}$								
28.333	1258	3.32	M_2	320		289					
			c	3.8		3.7					
			$n_{2 \text{ Eck}}$	58		122					
			$n_{2 \text{ th}}$	58		122					

$M \dots$ [Nm]
 $n \dots$ [r/min]
 $J \dots$ [kgcm²]

$P \dots$ [kW]
 $I \dots$ [A]
 i [-]
 c [-]



$M_{2GN} \leq 1582 \text{ Nm}$

195C17	195C23	195C35	195C42	21XC17	21XC25	21XC35	21XC42	GST09-2A			
...F10	...S00	...F10	...S00	...F10	...S00	...F10	...S00	M_1	J_G	M_{2GN}	i
36.30	16.30	36.00	12.00	61.40	24.60	55.00	17.00	n_1			
1700	2340	3510	4150	1710	2490	3520	4160	I_{M400}			
13.9	8.2	28.7	14.0	22.5	13.5	42.5	19.8	P_N			
6.40	4.00	13.20	5.20	11.00	6.40	20.30	7.40	J_M			
72.12	72.12	72.04	72.12	180.04	180.04	180.04	180.04	M_2			
525	229	523		898	352	805	241	c	7.65	1340	15.156
2.5	5.5	2.2		1.5	3.6	1.4	4.3	$n_{2 \text{ Eck}}$			
112	154	232		113	164	232	275	$n_{2 \text{ th}}$			
112	154	162		113	133	133	133	M_2			
								c	7.49	1340	17.222
								$n_{2 \text{ Eck}}$			
								$n_{2 \text{ th}}$			
599	261	596	191	1022	402	916	276	M_2			
2.3	4.9	2.0	5.5	1.3	3.2	1.3	3.9	c	7.49	1373	17.222
99	136	204	241	99	145	204	242	$n_{2 \text{ Eck}}$			
99	136	142	142	99	117	117	117	$n_{2 \text{ th}}$			
								M_2			
								c	4.50	1068	20.533
								$n_{2 \text{ Eck}}$			
								$n_{2 \text{ th}}$			
								M_2			
								c	4.50	1251	20.533
								$n_{2 \text{ Eck}}$			
								$n_{2 \text{ th}}$			
715	313	711	229					M_2			
2.1	4.5	1.8	5.0					c	4.50	1484	20.533
83	114	171	202					$n_{2 \text{ Eck}}$			
83	114	119	119					$n_{2 \text{ th}}$			
								M_2			
								c	4.41	1214	23.333
								$n_{2 \text{ Eck}}$			
								$n_{2 \text{ th}}$			
								M_2			
								c	4.41	1421	23.333
								$n_{2 \text{ Eck}}$			
								$n_{2 \text{ th}}$			
815	358	810	262					M_2			
1.8	4.0	1.6	4.5					c	4.41	1508	23.333
73	100	150	178					$n_{2 \text{ Eck}}$			
73	100	105	105					$n_{2 \text{ th}}$			
								M_2			
								c	3.38	1107	24.933
								$n_{2 \text{ Eck}}$			
								$n_{2 \text{ th}}$			
								M_2			
								c	3.38	1296	24.933
								$n_{2 \text{ Eck}}$			
								$n_{2 \text{ th}}$			
871	382	866	280					M_2			
1.8	3.9	1.6	4.4					c	3.38	1582	24.933
68	94	141	166					$n_{2 \text{ Eck}}$			
68	94	98	98					$n_{2 \text{ th}}$			
								M_2			
								c	3.32	1258	28.333
								$n_{2 \text{ Eck}}$			
								$n_{2 \text{ th}}$			

M ... [Nm]
n ... [r/min]
J ... [kgcm²]

P ... [kW]
I ... [A]
i [-]
c [-]



GST [Nm]

GST□□-□A (MCA)

$M_{2GN} \leq 1582 \text{ Nm}$

GST09-2A				14LC16	14LC20	14LC35	14LC41	17NC17	17NC23	17NC35	17NC41
				...F10	...500	...F10	...500	...F10	...500	...F10	...500
i	M_{2GN}	J_G	M_1								
			n_1	12.00	6.70	10.80	5.40	21.50	10.80	19.00	9.50
			I_{M400}	1635	2000	3455	4100	1680	2300	3480	4110
			P_N	4.8	3.3	9.1	5.8	8.5	5.5	15.8	10.2
			J_M	2.10	1.40	3.90	2.30	3.80	2.60	6.90	4.10
			M_2	19.32	19.24	19.24	19.24	36.04	36.04	36.04	36.04
28.333	1472	3.32	c					582	285	515	252
			n_2 Eck					2.5	4.9	2.4	4.6
			n_2 th					59	81	123	145
								59	81	110	110
28.333	1519	3.32	M_2								
			c								
			n_2 Eck								
			n_2 th								
32.267	1147	2.25	M_2	368	200	331	161				
			c	3.1	5.5	2.9	5.5				
			n_2 Eck	51	62	107	127				
			n_2 th	51	62	107	111				
32.267	1343	2.25	M_2					666	328	589	289
			c					2.0	3.9	1.9	3.7
			n_2 Eck					52	71	108	127
			n_2 th					52	71	96	96
36.667	1304	2.21	M_2	418	227	377	183				
			c	3.1	5.5	2.9	5.5				
			n_2 Eck	45	55	94	112				
			n_2 th	45	55	94	98				
36.667	1526	2.21	M_2					757	373	669	329
			c					2.0	3.9	1.9	3.7
			n_2 Eck					46	63	95	112
			n_2 th					46	63	85	85
39.160	1166	1.64	M_2	449	245	404	198				
			c	2.6	4.6	2.4	4.6				
			n_2 Eck	42	51	88	105				
			n_2 th	42	51	88	92				
39.160	1364	1.64	M_2					811	401	717	353
			c					1.7	3.3	1.6	3.1
			n_2 Eck					43	59	89	105
			n_2 th					43	59	79	79
44.500	1324	1.62	M_2	510	279	458	223				
			c	2.6	4.6	2.7	5.1				
			n_2 Eck	37	45	78	92				
			n_2 th	37	45	78	81				
44.500	1546	1.62	M_2					922	455	814	400
			c					1.7	3.3	1.8	3.4
			n_2 Eck					38	52	78	92
			n_2 th					38	52	70	70
49.500	1184	1.12	M_2	570	313	512	251				
			c	2.1	3.7	2.2	4.1				
			n_2 Eck	33	40	70	83				
			n_2 th	33	40	70	73				
56.250	1345	1.10	M_2	648	356	582	285				
			c	2.1	3.7	2.2	4.1				
			n_2 Eck	29	36	61	73				
			n_2 th	29	36	61	64				

$M \dots$ [Nm]
 $n \dots$ [r/min]
 $J \dots$ [kgcm²]

$P \dots$ [kW]
 $I \dots$ [A]
 i [-]
 c [-]

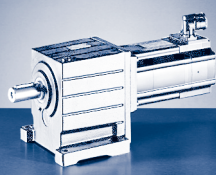


$M_{2GN} \leq 1582 \text{ Nm}$

195C17	195C23	195C35	195C42	21XC17	21XC25	21XC35	21XC42	GST09-2A			
...F10	...S00	...F10	...S00	...F10	...S00	...F10	...S00	M_1	J_G	M_{2GN}	i
36.30	16.30	36.00	12.00	61.40	24.60	55.00	17.00	n_1			
1700	2340	3510	4150	1710	2490	3520	4160	I_{M400}			
13.9	8.2	28.7	14.0	22.5	13.5	42.5	19.8	P_N			
6.40	4.00	13.20	5.20	11.00	6.40	20.30	7.40	J_M			
72.12	72.12	72.04	72.12	180.04	180.04	180.04	180.04	M_2 c n_2 Eck n_2 th	3.32	1472	28.333
993	437	986	321					M_2 c n_2 Eck n_2 th	3.32	1519	28.333
1.5	3.3	1.3	3.7					M_2 c n_2 Eck n_2 th	2.25	1147	32.267
60	83	124	147					M_2 c n_2 Eck n_2 th	2.25	1343	32.267
60	83	86	86					M_2 c n_2 Eck n_2 th	2.21	1304	36.667
								M_2 c n_2 Eck n_2 th	2.21	1526	36.667
								M_2 c n_2 Eck n_2 th	1.64	1166	39.160
								M_2 c n_2 Eck n_2 th	1.64	1364	39.160
								M_2 c n_2 Eck n_2 th	1.62	1324	44.500
								M_2 c n_2 Eck n_2 th	1.62	1546	44.500
								M_2 c n_2 Eck n_2 th	1.12	1184	49.500
								M_2 c n_2 Eck n_2 th	1.10	1345	56.250

M ... [Nm]
n ... [r/min]
J ... [kgcm²]

P ... [kW]
I ... [A]
i [-]
c [-]



GST [Nm]

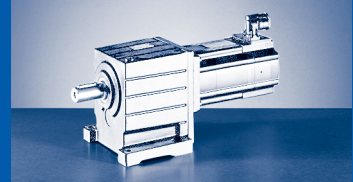
GST□□-□A (MCA)

$M_{2GN} \leq 1623 \text{ Nm}$

GST09-3A				10IC40	13IC34	13IC41	14LC16	14LC20	14LC35	14LC41	17NC17	17NC23	17NC35	17NC41	
				...S00	...F10	...S00	...F10	...S00	...F10	...S00	...F10	...S00	...F10	...S00	
i	M_{2GN}	J_G	M_1	2.00	6.30	4.00	12.00	6.70	10.80	5.40	21.50	10.80	19.00	9.50	
			n_1	3950	3410	4050	1635	2000	3455	4100	1680	2300	3480	4110	
			I_{M400}	2.4	6.0	4.4	4.8	3.3	9.1	5.8	8.5	5.5	15.8	10.2	
			P_N	0.80	2.20	1.70	2.10	1.40	3.90	2.30	3.80	2.60	6.90	4.10	
			J_M	2.44	8.34	8.34	19.32	19.24	19.24	19.24	36.04	36.04	36.04	36.04	
40.136	1344	2.14	M_2		232		451	246	406	198	819	405	724	357	
			c		4.8		2.9	5.2	2.8	5.3	1.6	3.2	1.6	3.0	
			$n_{2 \text{ Eck}}$		85		41	50	86	102	42	57	87	102	102
			$n_{2 \text{ th}}$		85		41	50	86	89	42	57	78	78	78
43.267	1290	1.55	M_2		250		488	266	438	213	885	438	781	385	
			c		4.7		2.6	4.7	2.8	5.2	1.5	2.9	1.6	3.0	
			$n_{2 \text{ Eck}}$		79		38	46	80	95	39	53	80	95	95
			$n_{2 \text{ th}}$		79		38	46	80	83	39	53	72	72	72
49.167	1466	1.53	M_2		284		554	303	498	243	1005	497	888	437	
			c		4.7		2.6	4.7	2.8	5.2	1.5	2.9	1.6	3.0	
			$n_{2 \text{ Eck}}$		69		33	41	70	83	34	47	71	84	84
			$n_{2 \text{ th}}$		69		33	41	70	73	34	47	63	63	63
53.044	1379	1.38	M_2		309		600	329	539	264	1087	539	960	474	
			c		4.1		2.3	4.1	2.4	4.5	1.3	2.5	1.4	2.6	
			$n_{2 \text{ Eck}}$		64		31	38	65	77	32	43	66	78	78
			$n_{2 \text{ th}}$		64		31	38	65	68	32	43	59	59	59
60.278	1565	1.37	M_2		351		682	374	613	300	1235	612	1090	538	
			c		4.1		2.3	4.1	2.4	4.5	1.3	2.5	1.4	2.6	
			$n_{2 \text{ Eck}}$		57		27	33	57	68	28	38	58	68	68
			$n_{2 \text{ th}}$		57		27	33	57	60	28	38	52	52	52
71.867	1477	1.17	M_2		422	264	817	450	735	361	1477	734	1304	645	
			c		3.3	4.9	1.8	3.2	1.9	3.6	1.0	2.0	1.1	2.0	
			$n_{2 \text{ Eck}}$		48	56	23	28	48	57	23	32	48	57	57
			$n_{2 \text{ th}}$		47	56	23	28	48	50	23	32	43	43	43
81.667	1584	1.16	M_2		481	300	930	512	836	411		835	1483	734	
			c		3.1	4.6	1.7	3.0	1.8	3.4		1.9	1.0	1.9	
			$n_{2 \text{ Eck}}$		42	50	20	25	42	50		28	43	50	50
			$n_{2 \text{ th}}$		42	50	20	24	42	44		28	38	38	38
93.541	1613	0.71	M_2		553	346	1067	588	959	473					
			c		2.7	4.1	1.5	2.7	1.6	3.0					
			$n_{2 \text{ Eck}}$		37	43	18	21	37	44					
			$n_{2 \text{ th}}$		36	43	17	21	37	38					
99.167	1596	1.07	M_2		587	368	1132	625	1018	502		1018		895	
			c		2.6	3.8	1.4	2.5	1.5	2.8		1.6		1.6	
			$n_{2 \text{ Eck}}$		34	41	17	20	35	41		23		42	
			$n_{2 \text{ th}}$		34	41	16	20	35	36		23		31	
113.585	1613	0.65	M_2		675	423	1299	718	1169	577					
			c		2.3	3.4	1.2	2.2	1.3	2.5					
			$n_{2 \text{ Eck}}$		30	36	14	18	30	36					
			$n_{2 \text{ th}}$		30	36	14	18	30	32					
129.074	1612	0.65	M_2	234	769	483	1479	818	1330	658					
			c	6.0	2.0	3.0	1.1	2.0	1.2	2.2					
			$n_{2 \text{ Eck}}$	31	26	31	13	16	27	32					
			$n_{2 \text{ th}}$	31	26	31	13	15	27	28					
141.289	1613	0.46	M_2	257	843	530		897	1457	722					
			c	5.5	1.8	2.7		1.8	1.1	2.0					
			$n_{2 \text{ Eck}}$	28	24	29		14	25	29					
			$n_{2 \text{ th}}$	28	24	29		14	24	25					
160.556	1623	0.46	M_2	295	961	605		1022		822					
			c	4.8	1.6	2.4		1.6		1.8					
			$n_{2 \text{ Eck}}$	25	21	25		13		26					
			$n_{2 \text{ th}}$	25	21	25		12		22					

$M \dots$ [Nm]
 $n \dots$ [r/min]
 $J \dots$ [kgcm²]

$P \dots$ [kW]
 $I \dots$ [A]
 $i [-]$
 $c [-]$



$M_{2GN} \leq 1623 \text{ Nm}$

GST09-3A				10IC40	13IC34	13IC41	14LC16	14LC20	14LC35	14LC41	17NC17	17NC23	17NC35	17NC41	
				...S00	...F10	...S00	...F10	...S00	...F10	...S00	...F10	...S00	...F10	...S00	
i	M_{2GN}	J_G	M_1	2.00	6.30	4.00	12.00	6.70	10.80	5.40	21.50	10.80	19.00	9.50	
			n_1	3950	3410	4050	1635	2000	3455	4100	1680	2300	3480	4110	
			I_{M400}	2.4	6.0	4.4	4.8	3.3	9.1	5.8	8.5	5.5	15.8	10.2	
			P_N	0.80	2.20	1.70	2.10	1.40	3.90	2.30	3.80	2.60	6.90	4.10	
			J_M	2.44	8.34	8.34	19.32	19.24	19.24	19.24	36.04	36.04	36.04	36.04	
182.844	1613	0.30	M_2	338	1096	691									
			c	4.2	1.4	2.1									
			$n_{2 \text{ Eck}}$	22	19	22									
			$n_{2 \text{ th}}$	22	19	22									
207.778	1623	0.30	M_2	386	1248	787									
			c	3.7	1.2	1.9									
			$n_{2 \text{ Eck}}$	19	16	20									
			$n_{2 \text{ th}}$	19	16	19									
236.622	1613	0.28	M_2	442	1423	899									
			c	3.3	1.1	1.6									
			$n_{2 \text{ Eck}}$	17	14	17									
			$n_{2 \text{ th}}$	17	14	17									
252.167	1623	0.21	M_2	472	1518	959									
			c	3.1	1.0	1.5									
			$n_{2 \text{ Eck}}$	16	14	16									
			$n_{2 \text{ th}}$	16	14	16									
268.889	1623	0.28	M_2	504		1023									
			c	2.9		1.4									
			$n_{2 \text{ Eck}}$	15		15									
			$n_{2 \text{ th}}$	15		15									
326.333	1623	0.20	M_2	615		1245									
			c	2.4		1.2									
			$n_{2 \text{ Eck}}$	12		12									
			$n_{2 \text{ th}}$	12		12									
363.000	1613	0.26	M_2	686											
			c	2.1											
			$n_{2 \text{ Eck}}$	11											
			$n_{2 \text{ th}}$	11											
412.500	1623	0.18	M_2	781											
			c	1.9											
			$n_{2 \text{ Eck}}$	10											
			$n_{2 \text{ th}}$	10											

$M \dots$ [Nm]
 $n \dots$ [r/min]
 $J \dots$ [kgcm²]

$P \dots$ [kW]
 $I \dots$ [A]
 i [-]
 c [-]



GST [Nm]

GST□□-□A (MCA)

$M_{2GN} \leq 2933 \text{ Nm}$

GST11-2A				14LC16	14LC20	14LC35	14LC41	17NC17	17NC23	17NC35	17NC41
				...F10	...S00	...F10	...S00	...F10	...S00	...F10	...S00
i	M_{2GN}	J_G	M_1	12.00	6.70	10.80	5.40	21.50	10.80	19.00	9.50
			n_1	1635	2000	3455	4100	1680	2300	3480	4110
			I_{M400}	4.8	3.3	9.1	5.8	8.5	5.5	15.8	10.2
			P_N	2.10	1.40	3.90	2.30	3.80	2.60	6.90	4.10
			J_M	19.32	19.24	19.24	19.24	36.04	36.04	36.04	36.04
4.056	1490	82.20	M_2								
			c								
			n_2 Eck								
			n_2 th								
4.457	1606	79.00	M_2								
			c								
			n_2 Eck								
			n_2 th								
5.324	1594	55.40	M_2								
			c								
			n_2 Eck								
			n_2 th								
5.850	1772	53.50	M_2								
			c								
			n_2 Eck								
			n_2 th								
6.400	1549	45.70	M_2								
			c								
			n_2 Eck								
			n_2 th								
6.400	1801	45.70	M_2								
			c								
			n_2 Eck								
			n_2 th								
6.864	2065	67.50	M_2								
			c								
			n_2 Eck								
			n_2 th								
7.800	2114	65.10	M_2								
			c								
			n_2 Eck								
			n_2 th								
9.010	2259	46.80	M_2								
			c								
			n_2 Eck								
			n_2 th								
9.856	2325	40.20	M_2								
			c								
			n_2 Eck								
			n_2 th								
11.200	2380	39.00	M_2								
			c								
			n_2 Eck								
			n_2 th								
12.571	1414	29.40	M_2					251		223	
			c					5.2		4.6	
			n_2 Eck					134		277	
			n_2 th					134		180	
12.571	2520	29.40	M_2								
			c								
			n_2 Eck								
			n_2 th								

$M \dots$ [Nm]
 $n \dots$ [r/min]
 $J \dots$ [kgcm²]

$P \dots$ [kW]
 $I \dots$ [A]
 i [-]
 c [-]



$M_{2GN} \leq 2933 \text{ Nm}$

195C17	195C23	195C35	195C42	21XC17	21XC25	21XC35	21XC42	GST11-2A			
...F10	...S00	...F10	...S00	...F10	...S00	...F10	...S00	M_1	J_G	M_{2GN}	i
36.30	16.30	36.00	12.00	61.40	24.60	55.00	17.00	n_1			
1700	2340	3510	4150	1710	2490	3520	4160	I_{M400}			
13.9	8.2	28.7	14.0	22.5	13.5	42.5	19.8	P_N			
6.40	4.00	13.20	5.20	11.00	6.40	20.30	7.40	J_M			
72.12	72.12	72.04	72.12	180.04	180.04	180.04	180.04	M_2			
				229		207		c			
				5.9		5.2		$n_{2 \text{ Eck}}$	82.20	1490	4.056
				422		868		$n_{2 \text{ th}}$			
				422		421		M_2			
				252		228		c			
				5.8		5.1		$n_{2 \text{ Eck}}$	79.00	1606	4.457
				384		790		$n_{2 \text{ th}}$			
				384		382		M_2			
				305		275		c			
				4.8		4.2		$n_{2 \text{ Eck}}$	55.40	1594	5.324
				321		661		$n_{2 \text{ th}}$			
				321		356		M_2			
				335		302		c			
				4.9		4.3		$n_{2 \text{ Eck}}$	53.50	1772	5.850
				292		602		$n_{2 \text{ th}}$			
				292		325		M_2			
		214						c			
		5.2						$n_{2 \text{ Eck}}$	45.70	1549	6.400
		548						$n_{2 \text{ th}}$			
		320						M_2			
				367		331		c			
				4.5		4.0		$n_{2 \text{ Eck}}$	45.70	1801	6.400
				267		550		$n_{2 \text{ th}}$			
				267		302		M_2			
				393		354		c			
				4.8		4.2		$n_{2 \text{ Eck}}$	67.50	2065	6.864
				249		513		$n_{2 \text{ th}}$			
				245		238		M_2			
				449		404		c			
				4.4		3.8		$n_{2 \text{ Eck}}$	65.10	2114	7.800
				219		451		$n_{2 \text{ th}}$			
				211		204		M_2			
				520		468		c			
				4.0		3.5		$n_{2 \text{ Eck}}$	46.80	2259	9.010
				190		391		$n_{2 \text{ th}}$			
				190		202		M_2			
		330		570		513		c			
		5.1		3.8		3.3		$n_{2 \text{ Eck}}$	40.20	2325	9.856
		356		174		357		$n_{2 \text{ th}}$			
		207		174		188		M_2			
375		377		651		585		c			
5.8		4.6		3.4		3.0		$n_{2 \text{ Eck}}$	39.00	2380	11.200
152		313		153		314		$n_{2 \text{ th}}$			
152		178		153		161		M_2			
								c			
								$n_{2 \text{ Eck}}$	29.40	1414	12.571
								$n_{2 \text{ th}}$			
422		424		732		658		M_2			
5.5		4.3		3.2		2.8		c			
135		279		136		280		$n_{2 \text{ Eck}}$	29.40	2520	12.571
135		178		136		160		$n_{2 \text{ th}}$			

M ... [Nm]
n ... [r/min]
J ... [kgcm²]

P ... [kW]
I ... [A]
i [-]
c [-]



GST [Nm]

GST□□-□A (MCA)

$M_{2GN} \leq 2933 \text{ Nm}$

GST11-2A				14LC16	14LC20	14LC35	14LC41	17NC17	17NC23	17NC35	17NC41
				...F10	...S00	...F10	...S00	...F10	...S00	...F10	...S00
i	M_{2GN}	J_G	M_1								
			n_1	12.00	6.70	10.80	5.40	21.50	10.80	19.00	9.50
			I_{M400}	1635	2000	3455	4100	1680	2300	3480	4110
			P_N	4.8	3.3	9.1	5.8	8.5	5.5	15.8	10.2
			J_M	2.10	1.40	3.90	2.30	3.80	2.60	6.90	4.10
			M_2	19.32	19.24	19.24	19.24	36.04	36.04	36.04	36.04
			c					285		254	
14.286	1607	28.70	$n_{2 \text{ Eck}}$					5.2		4.6	
			$n_{2 \text{ th}}$					118		244	
			M_2								
14.286	2579	28.70	c								
			$n_{2 \text{ Eck}}$								
			$n_{2 \text{ th}}$								
			M_2								
15.400	2695	23.00	c								
			$n_{2 \text{ Eck}}$								
			$n_{2 \text{ th}}$								
			M_2								
17.500	2758	22.50	c								
			$n_{2 \text{ Eck}}$								
			$n_{2 \text{ th}}$								
			M_2								
20.289	1570	14.30	c					411		364	
			$n_{2 \text{ Eck}}$					3.7		3.6	
			$n_{2 \text{ th}}$					83		172	
			M_2					83		143	
			c								
20.289	2756	14.30	$n_{2 \text{ Eck}}$								
			$n_{2 \text{ th}}$								
			M_2								
23.056	1784	14.10	c					468		414	
			$n_{2 \text{ Eck}}$					3.7		3.6	
			$n_{2 \text{ th}}$					73		151	
			M_2					73		125	
			c								
23.056	2913	14.10	$n_{2 \text{ Eck}}$								
			$n_{2 \text{ th}}$								
			M_2								
24.933	1616	10.60	c					509		450	219
			$n_{2 \text{ Eck}}$					3.1		3.0	5.7
			$n_{2 \text{ th}}$					67		140	165
			M_2					67		125	125
			c								
24.933	2777	10.60	$n_{2 \text{ Eck}}$								
			$n_{2 \text{ th}}$								
			M_2								
28.333	1836	10.40	c					578		511	248
			$n_{2 \text{ Eck}}$					3.1		3.0	5.7
			$n_{2 \text{ th}}$					59		123	145
			M_2					59		110	110
			c								
28.333	2933	10.40	$n_{2 \text{ Eck}}$								
			$n_{2 \text{ th}}$								
			M_2								
32.267	1430	7.04	c	365		329					
			$n_{2 \text{ Eck}}$	3.8		3.6					
			$n_{2 \text{ th}}$	51		107					
			M_2	51		107					

$M \dots$ [Nm]
 $n \dots$ [r/min]
 $J \dots$ [kgcm²]

$P \dots$ [kW]
 $I \dots$ [A]
 i [-]
 c [-]

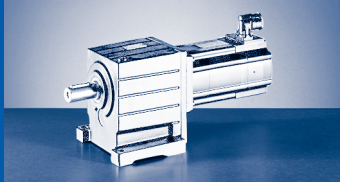


$M_{2GN} \leq 2933 \text{ Nm}$

195C17	195C23	195C35	195C42	21XC17	21XC25	21XC35	21XC42	GST11-2A			
...F10	...S00	...F10	...S00	...F10	...S00	...F10	...S00	M_1	J_G	M_{2GN}	i
36.30	16.30	36.00	12.00	61.40	24.60	55.00	17.00	n_1			
1700	2340	3510	4150	1710	2490	3520	4160	I_{M400}			
13.9	8.2	28.7	14.0	22.5	13.5	42.5	19.8	P_N			
6.40	4.00	13.20	5.20	11.00	6.40	20.30	7.40	J_M			
72.12	72.12	72.04	72.12	180.04	180.04	180.04	180.04	M_2 c $n_{2 \text{ Eck}}$ $n_{2 \text{ th}}$	28.70	1607	14.286
483		484		834		750		M_2 c $n_{2 \text{ Eck}}$ $n_{2 \text{ th}}$	28.70	2579	14.286
4.9		3.9		2.9		2.6					
119		246		120		246					
119		153		120		139					
520		520		899		807		M_2 c $n_{2 \text{ Eck}}$ $n_{2 \text{ th}}$	23.00	2695	15.400
5.0		4.3		2.9		2.8					
110		228		111		229					
110		159		111		131					
594		593		1025		919		M_2 c $n_{2 \text{ Eck}}$ $n_{2 \text{ th}}$	22.50	2758	17.500
4.5		3.9		2.7		2.5					
97		201		98		201					
97		140		98		115					
								M_2 c $n_{2 \text{ Eck}}$ $n_{2 \text{ th}}$	14.30	1570	20.289
694		692		1193	462	1070		M_2 c $n_{2 \text{ Eck}}$ $n_{2 \text{ th}}$	14.30	2756	20.289
3.9		3.3		2.3	5.5	2.2					
84		173		84	123	174					
84		121		84	99	99					
								M_2 c $n_{2 \text{ Eck}}$ $n_{2 \text{ th}}$	14.10	1784	23.056
790		788		1358	527	1217		M_2 c $n_{2 \text{ Eck}}$ $n_{2 \text{ th}}$	14.10	2913	23.056
3.6		3.1		2.1	5.1	2.0					
74		152		74	108	153					
74		106		74	87	87					
								M_2 c $n_{2 \text{ Eck}}$ $n_{2 \text{ th}}$	10.60	1616	24.933
859		855		1472	574	1320	392	M_2 c $n_{2 \text{ Eck}}$ $n_{2 \text{ th}}$	10.60	2777	24.933
3.2		2.7		1.9	4.5	1.8	5.5				
68		141		69	100	141	167				
68		98		69	81	81	81				
								M_2 c $n_{2 \text{ Eck}}$ $n_{2 \text{ th}}$	10.40	1836	28.333
978		974		1675	654	1502	448	M_2 c $n_{2 \text{ Eck}}$ $n_{2 \text{ th}}$	10.40	2933	28.333
2.9		2.5		1.7	4.2	1.7	5.1				
60		124		60	88	124	147				
60		86		60	71	71	71				
								M_2 c $n_{2 \text{ Eck}}$ $n_{2 \text{ th}}$	7.04	1430	32.267

$M \dots$ [Nm]
 $n \dots$ [r/min]
 $J \dots$ [kgcm²]

$P \dots$ [kW]
 $I \dots$ [A]
 i [-]
 c [-]



GST [Nm]

GST□□-□A (MCA)

$M_{2GN} \leq 2933 \text{ Nm}$

GST11-2A				14LC16	14LC20	14LC35	14LC41	17NC17	17NC23	17NC35	17NC41
				...F10	...S00	...F10	...S00	...F10	...S00	...F10	...S00
i	M_{2GN}	J_G	M_1	12.00	6.70	10.80	5.40	21.50	10.80	19.00	9.50
			n_1	1635	2000	3455	4100	1680	2300	3480	4110
			I_{M400}	4.8	3.3	9.1	5.8	8.5	5.5	15.8	10.2
			P_N	2.10	1.40	3.90	2.30	3.80	2.60	6.90	4.10
			J_M	19.32	19.24	19.24	19.24	36.04	36.04	36.04	36.04
32.267	1674	7.04	M_2					663	325	586	286
			c				2.5	4.9	2.4	4.6	
			$n_{2 \text{ Eck}}$				52	71	108	127	
			$n_{2 \text{ th}}$				52	71	96	96	
32.267	2818	7.04	M_2								
			c								
			$n_{2 \text{ Eck}}$								
			$n_{2 \text{ th}}$								
36.667	1624	6.93	M_2	415		374					
			c	3.8		3.6					
			$n_{2 \text{ Eck}}$	45		94					
			$n_{2 \text{ th}}$	45		94					
36.667	1902	6.93	M_2					753	369	666	326
			c					2.5	4.9	2.4	4.6
			$n_{2 \text{ Eck}}$					46	63	95	112
			$n_{2 \text{ th}}$					46	63	85	85
36.667	2933	6.93	M_2								
			c								
			$n_{2 \text{ Eck}}$								
			$n_{2 \text{ th}}$								
39.160	1452	5.15	M_2	446	242	402	195				
			c	3.2	5.7	3.1	5.8				
			$n_{2 \text{ Eck}}$	42	51	88	105				
			$n_{2 \text{ th}}$	42	51	88	92				
39.160	1701	5.15	M_2					808	397	714	350
			c					2.1	4.1	2.0	3.8
			$n_{2 \text{ Eck}}$					43	59	89	105
			$n_{2 \text{ th}}$					43	59	79	79
39.160	2826	5.15	M_2								
			c								
			$n_{2 \text{ Eck}}$								
			$n_{2 \text{ th}}$								
44.500	1650	5.08	M_2	506	275	455					
			c	3.2	5.7	3.4					
			$n_{2 \text{ Eck}}$	37	45	78					
			$n_{2 \text{ th}}$	37	45	78					
44.500	1933	5.08	M_2					918	451	810	396
			c					2.1	4.2	2.2	4.2
			$n_{2 \text{ Eck}}$					38	52	78	92
			$n_{2 \text{ th}}$					38	52	70	70
44.500	2933	5.08	M_2								
			c								
			$n_{2 \text{ Eck}}$								
			$n_{2 \text{ th}}$								
49.500	1476	3.52	M_2	567	310	510	248				
			c	2.6	4.6	2.7	5.1				
			$n_{2 \text{ Eck}}$	33	40	70	83				
			$n_{2 \text{ th}}$	33	40	70	73				
49.500	1728	3.52	M_2					1025	506	905	445
			c					1.7	3.3	1.8	3.4
			$n_{2 \text{ Eck}}$					34	47	70	83
			$n_{2 \text{ th}}$					34	46	63	63

$M \dots$ [Nm]
 $n \dots$ [r/min]
 $J \dots$ [kgcm²]

$P \dots$ [kW]
 $I \dots$ [A]
 i [-]
 c [-]



$M_{2GN} \leq 2933 \text{ Nm}$

195C17	195C23	195C35	195C42	21XC17	21XC25	21XC35	21XC42	GST11-2A			
...F10	...S00	...F10	...S00	...F10	...S00	...F10	...S00	M_1	J_G	M_{2GN}	i
36.30	16.30	36.00	12.00	61.40	24.60	55.00	17.00	n_1			
1700	2340	3510	4150	1710	2490	3520	4160	I_{M400}			
13.9	8.2	28.7	14.0	22.5	13.5	42.5	19.8	P_N			
6.40	4.00	13.20	5.20	11.00	6.40	20.30	7.40	J_M			
72.12	72.12	72.04	72.12	180.04	180.04	180.04	180.04	M_2 c n_{2Eck} n_{2th}	7.04	1674	32.267
1119	487	1114						M_2 c n_{2Eck} n_{2th}	7.04	2818	32.267
2.5	5.4	2.1						M_2 c n_{2Eck} n_{2th}	6.93	1624	36.667
53	73	109						M_2 c n_{2Eck} n_{2th}	6.93	1902	36.667
53	73	76						M_2 c n_{2Eck} n_{2th}	6.93	2933	36.667
1274	556	1268	407					M_2 c n_{2Eck} n_{2th}	5.15	1452	39.160
2.3	5.0	2.0	5.6					M_2 c n_{2Eck} n_{2th}	5.15	1701	39.160
46	64	96	113					M_2 c n_{2Eck} n_{2th}	5.15	2826	39.160
46	64	67	67					M_2 c n_{2Eck} n_{2th}	5.08	1650	44.500
1364	597	1357	437					M_2 c n_{2Eck} n_{2th}	5.08	1933	44.500
2.1	4.5	1.8	5.0					M_2 c n_{2Eck} n_{2th}	5.08	2933	44.500
43	60	90	106					M_2 c n_{2Eck} n_{2th}	3.52	1476	49.500
43	60	63	63					M_2 c n_{2Eck} n_{2th}	3.52	1728	49.500

$M \dots$ [Nm]
 $n \dots$ [r/min]
 $J \dots$ [kgcm²]

$P \dots$ [kW]
 $I \dots$ [A]
 i [-]
 c [-]



GST [Nm]

GST□□-□A (MCA)

$M_{2GN} \leq 2933 \text{ Nm}$

GST11-2A				14LC16	14LC20	14LC35	14LC41	17NC17	17NC23	17NC35	17NC41
				...F10	...S00	...F10	...S00	...F10	...S00	...F10	...S00
i	M_{2GN}	J_G	M_1	12.00	6.70	10.80	5.40	21.50	10.80	19.00	9.50
			n_1	1635	2000	3455	4100	1680	2300	3480	4110
			I_{M400}	4.8	3.3	9.1	5.8	8.5	5.5	15.8	10.2
			P_N	2.10	1.40	3.90	2.30	3.80	2.60	6.90	4.10
			J_M	19.32	19.24	19.24	19.24	36.04	36.04	36.04	36.04
56.250	1677	3.44	M_2	644	352	579	282				
			c	2.6	4.6	2.7	5.1				
			$n_{2 \text{ Eck}}$	29	36	61	73				
			$n_{2 \text{ th}}$	29	36	61	64				
56.250	1964	3.44	M_2					1165	575	1028	506
			c					1.7	3.3	1.8	3.4
			$n_{2 \text{ Eck}}$					30	41	62	73
			$n_{2 \text{ th}}$					30	41	55	55

M ... [Nm]
 n ... [r/min]
 J ... [kgcm²]

P ... [kW]
 I ... [A]
 i [-]
 c [-]



$M_{2GN} \leq 2933 \text{ Nm}$

195C17	195C23	195C35	195C42	21XC17	21XC25	21XC35	21XC42	GST11-2A			
...F10	...S00	...F10	...S00	...F10	...S00	...F10	...S00	M_1	J_G	M_{2GN}	i
36.30	16.30	36.00	12.00	61.40	24.60	55.00	17.00	n_1			
1700	2340	3510	4150	1710	2490	3520	4160	I_{M400}			
13.9	8.2	28.7	14.0	22.5	13.5	42.5	19.8	P_N			
6.40	4.00	13.20	5.20	11.00	6.40	20.30	7.40	J_M			
72.12	72.12	72.04	72.12	180.04	180.04	180.04	180.04	M_2 c n_{2Eck} n_{2th}	3.44	1677	56.250
								M_2 c n_{2Eck} n_{2th}	3.44	1964	56.250

M ... [Nm]
n ... [r/min]
J ... [kgcm²]

P ... [kW]
I ... [A]
i [-]
c [-]



GST [Nm]

GST□□-□A (MCA)

$M_{2GN} \leq 2848 \text{ Nm}$

GST11-3A				10IC40	13IC34	13IC41	14LC16	14LC20	14LC35	14LC41
				...500	...F10	...500	...F10	...500	...F10	...500
i	M_{2GN}	J_G	M_1	2.00	6.30	4.00	12.00	6.70	10.80	5.40
			n_1	3950	3410	4050	1635	2000	3455	4100
			I_{M400}	2.4	6.0	4.4	4.8	3.3	9.1	5.8
			P_N	0.80	2.20	1.70	2.10	1.40	3.90	2.30
			J_M	2.44	8.34	8.34	19.32	19.24	19.24	19.24
40.816	1641	6.36	M_2		233					
			c		5.8					
			$n_{2 \text{ Eck}}$		84					
			$n_{2 \text{ th}}$		84					
40.816	2444	6.36	M_2				447		404	
			c				5.2		5.0	
			$n_{2 \text{ Eck}}$				40		85	
			$n_{2 \text{ th}}$				40		85	
40.816	2550	6.36	M_2							
			c							
			$n_{2 \text{ Eck}}$							
			$n_{2 \text{ th}}$							
44.000	2410	5.66	M_2				485		435	
			c				4.8		5.1	
			$n_{2 \text{ Eck}}$				37		79	
			$n_{2 \text{ th}}$				37		79	
50.000	2725	5.60	M_2				551		494	
			c				4.8		5.0	
			$n_{2 \text{ Eck}}$				33		69	
			$n_{2 \text{ th}}$				33		69	
57.968	2577	4.77	M_2				645		579	
			c				3.9		4.1	
			$n_{2 \text{ Eck}}$				28		60	
			$n_{2 \text{ th}}$				28		60	
61.250	2725	4.08	M_2				681		612	
			c				3.9		4.1	
			$n_{2 \text{ Eck}}$				27		56	
			$n_{2 \text{ th}}$				27		56	
71.011	2637	3.52	M_2				795	432	714	
			c				3.2	5.8	3.4	
			$n_{2 \text{ Eck}}$				23	28	49	
			$n_{2 \text{ th}}$				23	28	49	
80.694	2787	3.50	M_2				906	493	814	
			c				3.0	5.4	3.2	
			$n_{2 \text{ Eck}}$				20	25	43	
			$n_{2 \text{ th}}$				20	25	43	
87.267	2657	3.22	M_2				983	537	884	430
			c				2.7	4.8	2.8	5.3
			$n_{2 \text{ Eck}}$				19	23	40	47
			$n_{2 \text{ th}}$				19	23	40	41
99.167	2810	3.20	M_2				1120	612	1006	491
			c				2.5	4.4	2.6	5.0
			$n_{2 \text{ Eck}}$				17	20	35	41
			$n_{2 \text{ th}}$				16	20	35	36
112.933	2695	2.93	M_2				1280	702	1151	563
			c				2.1	3.7	2.2	4.2
			$n_{2 \text{ Eck}}$				15	18	31	36
			$n_{2 \text{ th}}$				14	18	31	32
129.074	2810	1.94	M_2		757	472	1466	806	1318	647
			c		3.5	5.2	1.9	3.4	2.0	3.8
			$n_{2 \text{ Eck}}$		26	31	13	16	27	32
			$n_{2 \text{ th}}$		26	31	13	15	27	28

$M \dots$ [Nm]
 $n \dots$ [r/min]
 $J \dots$ [kgcm²]

$P \dots$ [kW]
 $I \dots$ [A]
 $i \dots$ [-]
 $c \dots$ [-]

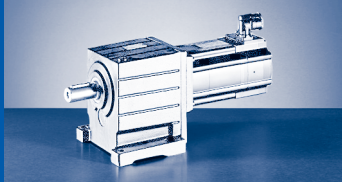


$M_{2GN} \leq 2848 \text{ Nm}$

17NC17	17NC23	17NC35	17NC41	19SC17	19SC23	19SC35	19SC42	GST11-3A			
...F10	...S00	...F10	...S00	...F10	...S00	...F10	...S00	M_1	J_G	M_{2GN}	i
21.50	10.80	19.00	9.50	36.30	16.30	36.00	12.00	n_1			
1680	2300	3480	4110	1700	2340	3510	4150	I_{M400}			
8.5	5.5	15.8	10.2	13.9	8.2	28.7	14.0	P_N			
3.80	2.60	6.90	4.10	6.40	4.00	13.20	5.20	J_M			
36.04	36.04	36.04	36.04	72.12	72.12	72.04	72.12	M_2			
								c	6.36	1641	40.816
								$n_{2\text{ Eck}}$			
								$n_{2\text{ th}}$			
								M_2	6.36	2444	40.816
								c			
								$n_{2\text{ Eck}}$			
								$n_{2\text{ th}}$			
821	399	726	353	1404	616	1396	451	M_2	6.36	2550	40.816
3.0	6.0	3.0	5.6	1.8	3.9	1.6	4.4	c			
41	56	85	101	42	57	86	102	$n_{2\text{ Eck}}$			
41	56	76	76	42	57	60	60	$n_{2\text{ th}}$			
888	434	783	381	1517	667	1506	487	M_2	5.66	2410	44.000
2.7	5.3	2.9	5.4	1.6	3.5	1.5	4.3	c			
38	52	79	93	39	53	80	94	$n_{2\text{ Eck}}$			
38	52	71	71	39	53	56	56	$n_{2\text{ th}}$			
1010	493	890	433	1724	759	1711	554	M_2	5.60	2725	50.000
2.7	5.3	2.9	5.4	1.6	3.5	1.5	4.3	c			
34	46	70	82	34	47	70	83	$n_{2\text{ Eck}}$			
34	46	62	62	34	47	49	49	$n_{2\text{ th}}$			
1177	578	1038	508	2005	885	1990	648	M_2	4.77	2577	57.968
2.2	4.3	2.3	4.4	1.3	2.9	1.2	3.5	c			
29	40	60	71	29	40	61	72	$n_{2\text{ Eck}}$			
29	40	54	54	29	40	42	42	$n_{2\text{ th}}$			
1243	610	1097	536	2119	936	2102	684	M_2	4.08	2725	61.250
2.2	4.3	2.3	4.4	1.3	2.9	1.2	3.5	c			
27	38	57	67	28	38	57	68	$n_{2\text{ Eck}}$			
27	38	51	51	28	38	40	40	$n_{2\text{ th}}$			
1447	713	1277	627	2462	1090	2442	798	M_2	3.52	2637	71.011
1.8	3.6	2.0	3.7	1.1	2.4	1.0	2.9	c			
24	32	49	58	24	33	49	58	$n_{2\text{ Eck}}$			
24	32	44	44	24	33	34	34	$n_{2\text{ th}}$			
1646	812	1453	714		1241		909	M_2	3.50	2787	80.694
1.7	3.4	1.8	3.4		2.2		2.7	c			
21	29	43	51		29		51	$n_{2\text{ Eck}}$			
21	29	39	39		29		30	$n_{2\text{ th}}$			
1784	882	1575	776		1346		986	M_2	3.22	2657	87.267
1.5	3.0	1.6	3.0		2.0		2.4	c			
19	26	40	47		27		48	$n_{2\text{ Eck}}$			
19	26	36	36		27		28	$n_{2\text{ th}}$			
2029	1005	1792	883		1532		1123	M_2	3.20	2810	99.167
1.4	2.8	1.5	2.8		1.8		2.2	c			
17	23	35	42		24		42	$n_{2\text{ Eck}}$			
17	23	31	31		24		25	$n_{2\text{ th}}$			
2317	1150	2045	1011		1749		1283	M_2	2.93	2695	112.933
1.2	2.3	1.3	2.4		1.5		1.9	c			
15	20	31	36		21		37	$n_{2\text{ Eck}}$			
15	20	28	28		21		22	$n_{2\text{ th}}$			
2650	1317	2340	1158					M_2	1.94	2810	129.074
1.1	2.1	1.1	2.2					c			
13	18	27	32					$n_{2\text{ Eck}}$			
13	18	24	24					$n_{2\text{ th}}$			

M ... [Nm]
n ... [r/min]
J ... [kgcm²]

P ... [kW]
I ... [A]
i [-]
c [-]



GST [Nm]

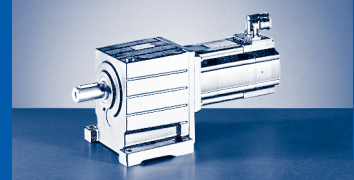
GST□□-□A (MCA)

$M_{2GN} \leq 2848 \text{ Nm}$

GST11-3A				10IC40	13IC34	13IC41	14LC16	14LC20	14LC35	14LC41
				...500	...F10	...500	...F10	...500	...F10	...500
i	M_{2GN}	J_G	M_1	2.00	6.30	4.00	12.00	6.70	10.80	5.40
			n_1	3950	3410	4050	1635	2000	3455	4100
			I_{M400}	2.4	6.0	4.4	4.8	3.3	9.1	5.8
			P_N	0.80	2.20	1.70	2.10	1.40	3.90	2.30
			J_M	2.44	8.34	8.34	19.32	19.24	19.24	19.24
146.993	2695	1.77	M_2		867	542	1675	923	1506	741
			c		2.9	4.3	1.6	2.9	1.7	3.2
			$n_{2 \text{ Eck}}$		23	28	11	14	24	28
			$n_{2 \text{ th}}$		23	28	11	14	24	24
158.194	2810	1.40	M_2		934	584	1804	994	1622	798
			c		2.8	4.2	1.6	2.8	1.6	3.1
			$n_{2 \text{ Eck}}$		22	26	10	13	22	26
			$n_{2 \text{ th}}$		22	26	10	13	22	23
180.156	2695	1.29	M_2		1069	670	2059	1137	1852	914
			c		2.4	3.5	1.3	2.3	1.4	2.6
			$n_{2 \text{ Eck}}$		19	23	9	11	19	23
			$n_{2 \text{ th}}$		19	22	9	11	19	20
207.778	2810	0.88	M_2		1236	776	2378	1315	2139	1057
			c		2.2	3.2	1.2	2.1	1.3	2.4
			$n_{2 \text{ Eck}}$		16	20	8	10	17	20
			$n_{2 \text{ th}}$		16	19	8	10	17	17
236.622	2695	0.82	M_2	431	1413	888		1503	2441	1208
			c	5.4	1.8	2.7		1.8	1.1	2.0
			$n_{2 \text{ Eck}}$	17	14	17		9	15	17
			$n_{2 \text{ th}}$	17	14	17		8	15	15
252.167	2810	0.63	M_2	460	1506	947		1602	2602	1288
			c	5.3	1.8	2.6		1.7	1.0	2.0
			$n_{2 \text{ Eck}}$	16	14	16		8	14	16
			$n_{2 \text{ th}}$	16	14	16		8	14	14
268.889	2848	0.82	M_2	492	1607	1012		1710		1375
			c	5.1	1.7	2.5		1.7		1.9
			$n_{2 \text{ Eck}}$	15	13	15		7		15
			$n_{2 \text{ th}}$	15	13	15		7		13
326.333	2848	0.59	M_2	603	1957	1234		2082		1675
			c	4.2	1.4	2.1		1.4		1.5
			$n_{2 \text{ Eck}}$	12	11	12		6		13
			$n_{2 \text{ th}}$	12	10	12		6		11
363.000	2695	0.76	M_2	675	2181	1377				
			c	3.5	1.2	1.8				
			$n_{2 \text{ Eck}}$	11	9	11				
			$n_{2 \text{ th}}$	11	9	11				
412.500	2848	0.55	M_2	769	2481	1566				
			c	3.3	1.1	1.6				
			$n_{2 \text{ Eck}}$	10	8	10				
			$n_{2 \text{ th}}$	10	8	10				

M ... [Nm]
 n ... [r/min]
 J ... [kgcm²]

P ... [kW]
 I ... [A]
 i [-]
 c [-]

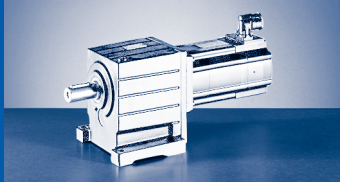


$M_{2GN} \leq 2848 \text{ Nm}$

17NC17	17NC23	17NC35	17NC41	19SC17	19SC23	19SC35	19SC42	GST11-3A			
...F10	...S00	...F10	...S00	...F10	...S00	...F10	...S00	M_1	J_G	M_{2GN}	i
21.50	10.80	19.00	9.50	36.30	16.30	36.00	12.00	n_1			
1680	2300	3480	4110	1700	2340	3510	4150	I_{M400}			
8.5	5.5	15.8	10.2	13.9	8.2	28.7	14.0	P_N			
3.80	2.60	6.90	4.10	6.40	4.00	13.20	5.20	J_M			
36.04	36.04	36.04	36.04	72.12	72.12	72.04	72.12	M_2			
	1505		1323					c			
	1.8		1.8					$n_{2\text{ Eck}}$	1.77	2695	146.993
	16		28					$n_{2\text{ th}}$			
	16		21					M_2			
	1620		1425					c			
	1.7		1.8					$n_{2\text{ Eck}}$	1.40	2810	158.194
	15		26					$n_{2\text{ th}}$			
	15		20					M_2			
	1851		1627					c			
	1.5		1.5					$n_{2\text{ Eck}}$	1.29	2695	180.156
	13		23					$n_{2\text{ th}}$			
	13		17					M_2			
								c			
								$n_{2\text{ Eck}}$	0.88	2810	207.778
								$n_{2\text{ th}}$			
								M_2			
								c			
								$n_{2\text{ Eck}}$	0.82	2695	236.622
								$n_{2\text{ th}}$			
								M_2			
								c			
								$n_{2\text{ Eck}}$	0.63	2810	252.167
								$n_{2\text{ th}}$			
								M_2			
								c			
								$n_{2\text{ Eck}}$	0.82	2848	268.889
								$n_{2\text{ th}}$			
								M_2			
								c			
								$n_{2\text{ Eck}}$	0.59	2848	326.333
								$n_{2\text{ th}}$			
								M_2			
								c			
								$n_{2\text{ Eck}}$	0.76	2695	363.000
								$n_{2\text{ th}}$			
								M_2			
								c			
								$n_{2\text{ Eck}}$	0.55	2848	412.500
								$n_{2\text{ th}}$			

M ... [Nm]
n ... [r/min]
J ... [kgcm²]

P ... [kW]
I ... [A]
i [-]
c [-]



GST [Nm]

GST□□-□A (MCA)

$M_{2GN} \leq 5786 \text{ Nm}$

GST14-2A				195C17	195C23	195C35	21XC17	21XC25	21XC35
				...F10	...500	...F10	...F10	...500	...F10
i	M_{2GN}	J_G	M_1						
			n_1	36.30	16.30	36.00	61.40	24.60	55.00
			I_{M400}	1700	2340	3510	1710	2490	3520
			P_N	13.9	8.2	28.7	22.5	13.5	42.5
			J_M	6.40	4.00	13.20	11.00	6.40	20.30
			M_2	72.12	72.12	72.04	180.04	180.04	180.04
8.027	3168	100.00	c						408
			n_2 Eck						5.6
			n_2 th						439
			M_2						251
8.800	3737	139.00	c						445
			n_2 Eck						6.0
			n_2 th						400
			M_2						195
9.841	3333	75.10	c				559		505
			n_2 Eck				5.4		4.8
			n_2 th				174		358
			M_2				174		205
11.000	3940	119.00	c				623		562
			n_2 Eck				5.8		5.1
			n_2 th				156		320
			M_2				155		154
12.362	4176	89.00	c				703		634
			n_2 Eck				5.4		4.8
			n_2 th				138		285
			M_2				138		158
14.048	4270	86.60	c				803		724
			n_2 Eck				4.9		4.3
			n_2 th				122		251
			M_2				122		136
15.156	4466	67.60	c				866		778
			n_2 Eck				5.0		4.7
			n_2 th				113		232
			M_2				113		133
17.222	4565	66.00	c				989		888
			n_2 Eck				4.5		4.3
			n_2 th				99		204
			M_2				99		117
20.044	3958	45.80	c	672		672			
			n_2 Eck	5.6		4.8			
			n_2 th	85		175			
			M_2	85		122			
20.044	4902	45.80	c				1156		1037
			n_2 Eck				4.1		3.9
			n_2 th				85		176
			M_2				85		100
22.778	4498	44.90	c	764		764			
			n_2 Eck	5.6		4.8			
			n_2 th	75		154			
			M_2	75		108			
22.778	5010	44.90	c				1319		1184
			n_2 Eck				3.7		3.5
			n_2 th				75		155
			M_2				75		88
24.567	4286	33.20	c	830		829			
			n_2 Eck	5.0		4.3			
			n_2 th	69		143			
			M_2	69		100			

M ... [Nm]
 n ... [r/min]
 J ... [kgcm²]

P ... [kW]
 I ... [A]
 i [-]
 c [-]



$M_{2GN} \leq 5786 \text{ Nm}$

GST14-2A				195C17	195C23	195C35	21XC17	21XC25	21XC35
				...F10	...S00	...F10	...F10	...S00	...F10
i	M_{2GN}	J_G	M_1						
			n_1	1700	2340	3510	1710	2490	3520
			I_{M400}	13.9	8.2	28.7	22.5	13.5	42.5
			P_N	6.40	4.00	13.20	11.00	6.40	20.30
			J_M	72.12	72.12	72.04	180.04	180.04	180.04
24.567	5236	33.20	M_2				1425		1278
			c				3.6		3.4
			$n_{2 \text{ Eck}}$				70		143
			$n_{2 \text{ th}}$				70		82
27.917	4871	32.60	M_2	943		942			
			c	5.0		4.3			
			$n_{2 \text{ Eck}}$	61		126			
			$n_{2 \text{ th}}$	61		88			
27.917	5355	32.60	M_2				1625		1458
			c				3.2		3.1
			$n_{2 \text{ Eck}}$				61		126
			$n_{2 \text{ th}}$				61		72
32.267	4423	21.50	M_2	1103		1100			
			c	3.9		3.4			
			$n_{2 \text{ Eck}}$	53		109			
			$n_{2 \text{ th}}$	53		76			
32.267	5436	21.50	M_2				1886		1692
			c				2.8		2.7
			$n_{2 \text{ Eck}}$				53		109
			$n_{2 \text{ th}}$				53		62
36.667	5026	21.20	M_2	1253		1250			
			c	3.9		3.4			
			$n_{2 \text{ Eck}}$	46		96			
			$n_{2 \text{ th}}$	46		67			
36.667	5768	21.20	M_2				2147		1926
			c				2.6		2.5
			$n_{2 \text{ Eck}}$				47		96
			$n_{2 \text{ th}}$				47		55
39.160	4493	15.70	M_2	1347		1342			
			c	3.3		2.8			
			$n_{2 \text{ Eck}}$	43		90			
			$n_{2 \text{ th}}$	43		63			
39.160	5452	15.70	M_2				2301	890	2063
			c				2.3	5.6	2.2
			$n_{2 \text{ Eck}}$				44	64	90
			$n_{2 \text{ th}}$				44	51	51
44.500	5106	15.50	M_2	1531		1520			
			c	3.3		3.1			
			$n_{2 \text{ Eck}}$	38		79			
			$n_{2 \text{ th}}$	38		55			
44.500	5786	15.50	M_2				2619	1013	2343
			c				2.2	5.5	2.3
			$n_{2 \text{ Eck}}$				38	56	79
			$n_{2 \text{ th}}$				38	45	45
49.500	4348	10.60	M_2	1717	746	1704			
			c	2.5	5.6	2.4			
			$n_{2 \text{ Eck}}$	34	47	71			
			$n_{2 \text{ th}}$	34	47	49			
56.250	4940	10.50	M_2	1951	848	1937			
			c	2.5	5.6	2.4			
			$n_{2 \text{ Eck}}$	30	42	62			
			$n_{2 \text{ th}}$	30	42	44			

M ... [Nm]
n ... [r/min]
J ... [kgcm²]

P ... [kW]
I ... [A]
i [-]
c [-]



GST [Nm]

GST□□-□A (MCA)

$M_{2GN} \leq 5920 \text{ Nm}$

GST14-3A				14LC16	14LC20	14LC35	14LC41	17NC17	17NC23	17NC35	17NC41	
				...F10	...S00	...F10	...S00	...F10	...S00	...F10	...S00	
i	M_{2GN}	J_G	M_1	12.00	6.70	10.80	5.40	21.50	10.80	19.00	9.50	
			n_1	1635	2000	3455	4100	1680	2300	3480	4110	
			I_{M400}	4.8	3.3	9.1	5.8	8.5	5.5	15.8	10.2	
			P_N	2.10	1.40	3.90	2.30	3.80	2.60	6.90	4.10	
			J_M	19.32	19.24	19.24	19.24	36.04	36.04	36.04	36.04	
40.185	4099	24.40	M_2					791		700		
			c					5.0		4.8		
			n_2 Eck						42		87	
			n_2 th						42		77	
			M_2									
40.185	4476	24.40	c									
			n_2 Eck									
			n_2 th									
			M_2									
			c						844		743	
42.580	3804	18.30	n_2 Eck					4.4		4.7		
			n_2 th					40		82		
			M_2									
			c									
			n_2 Eck									
42.580	4262	18.30	n_2 th									
			M_2									
			c									
			n_2 Eck									
			n_2 th									
48.386	4323	18.10	M_2					959		845		
			c					4.4		4.7		
			n_2 Eck					35		72		
			n_2 th					35		64		
			M_2									
48.386	4843	18.10	c									
			n_2 Eck									
			n_2 th									
			M_2									
			c						1053		928	
53.148	4779	20.50	n_2 Eck					4.4		4.7		
			n_2 th					32		66		
			M_2									
			c									
			n_2 Eck									
59.321	4546	13.20	n_2 th					32		59		
			M_2									
			c									
			n_2 Eck									
			n_2 th									
59.321	5267	13.20	M_2					1184		1043		
			c					3.7		4.0		
			n_2 Eck					28		59		
			n_2 th					28		52		
			M_2									
69.042	4917	11.50	c									
			n_2 Eck									
			n_2 th									
			M_2									
			c						1382		1218	
78.457	5587	11.40	n_2 Eck					3.5		3.7		
			n_2 th					24		50		
			M_2									
			c									
			n_2 Eck									
93.541	4793	6.57	n_2 th					24		45		
			M_2									
			c									
			n_2 Eck									
			n_2 th									
93.541	5524	6.57	M_2	1034		928						
			c	4.5		4.7						
			n_2 Eck	18		37						
			n_2 th	17		37						
			M_2									
93.541	5524	6.57	c					1884	918	1661	806	
			n_2 Eck					2.9	5.7	3.1	5.9	
			n_2 th					18	25	37	44	
			M_2									
			c									

$M \dots$ [Nm]
 $n \dots$ [r/min]
 $J \dots$ [kgcm²]

$P \dots$ [kW]
 $I \dots$ [A]
 i [-]
 c [-]



$M_{2GN} \leq 5920 \text{ Nm}$

195C17	195C23	195C35	195C42	21XC17	21XC25	21XC35	21XC42	GST14-3A			
...F10	...S00	...F10	...S00	...F10	...S00	...F10	...S00	M_1	J_G	M_{2GN}	i
36.30	16.30	36.00	12.00	61.40	24.60	55.00	17.00	n_1			
1700	2340	3510	4150	1710	2490	3520	4160	I_{M400}			
13.9	8.2	28.7	14.0	22.5	13.5	42.5	19.8	P_N			
6.40	4.00	13.20	5.20	11.00	6.40	20.30	7.40	J_M			
72.12	72.12	72.04	72.12	180.04	180.04	180.04	180.04	M_2 c $n_{2\text{ Eck}}$ $n_{2\text{ th}}$	24.40	4099	40.185
1362		1357		2336	910	2094	622	M_2 c $n_{2\text{ Eck}}$ $n_{2\text{ th}}$	24.40	4476	40.185
3.2		2.8		1.9	4.6	1.8	5.5				
42		87		43	62	88	104				
42		61		43	50	50	50				
								M_2 c $n_{2\text{ Eck}}$ $n_{2\text{ th}}$	18.30	3804	42.580
1448		1438		2480	967	2219	659	M_2 c $n_{2\text{ Eck}}$ $n_{2\text{ th}}$	18.30	4262	42.580
2.9		2.8		1.7	4.3	1.8	5.5				
40		82		40	59	83	98				
40		58		40	47	47	47				
								M_2 c $n_{2\text{ Eck}}$ $n_{2\text{ th}}$	18.10	4323	48.386
1645		1634		2818	1099	2522	749	M_2 c $n_{2\text{ Eck}}$ $n_{2\text{ th}}$	18.10	4843	48.386
2.9		2.8		1.7	4.3	1.8	5.5				
35		73		35	52	73	86				
35		51		35	42	42	42				
1813	787	1800		3101	1213	2775	828	M_2 c $n_{2\text{ Eck}}$ $n_{2\text{ th}}$	20.50	4779	53.148
2.6	5.8	2.5		1.5	3.8	1.6	5.0				
32	44	66		32	47	66	78				
32	44	46		32	38	38	38				
								M_2 c $n_{2\text{ Eck}}$ $n_{2\text{ th}}$	13.20	4546	59.321
2024	879	2010		3462	1354	3098	924	M_2 c $n_{2\text{ Eck}}$ $n_{2\text{ th}}$	13.20	5267	59.321
2.6	5.7	2.5		1.5	3.8	1.6	4.9				
29	40	59		29	42	59	70				
29	39	41		29	34	34	34				
2369	1035	2351	754	4042	1589	3618	1087	M_2 c $n_{2\text{ Eck}}$ $n_{2\text{ th}}$	11.50	4917	69.042
2.1	4.6	2.0	5.6	1.2	3.0	1.3	3.9				
25	34	51	60	25	36	51	60				
25	34	35	35	25	29	29	29				
2692	1176	2672	857	4593	1805	4112	1236	M_2 c $n_{2\text{ Eck}}$ $n_{2\text{ th}}$	11.40	5587	78.457
2.1	4.6	2.0	5.6	1.2	3.0	1.3	3.9				
22	30	45	53	22	32	45	53				
22	30	31	31	22	26	26	26				
								M_2 c $n_{2\text{ Eck}}$ $n_{2\text{ th}}$	6.57	4793	93.541
3221	1415	3197	1032					M_2 c $n_{2\text{ Eck}}$ $n_{2\text{ th}}$	6.57	5524	93.541
1.7	3.8	1.6	4.6								
18	25	38	44								
18	25	26	26								

M ... [Nm]
n ... [r/min]
J ... [kgcm²]

P ... [kW]
I ... [A]
i [-]
c [-]



GST [Nm]

GST□□-□A (MCA)

$M_{2GN} \leq 5920 \text{ Nm}$

GST14-3A				14LC16	14LC20	14LC35	14LC41	17NC17	17NC23	17NC35	17NC41
				...F10	...S00	...F10	...S00	...F10	...S00	...F10	...S00
i	M_{2GN}	J_G	M_1	12.00	6.70	10.80	5.40	21.50	10.80	19.00	9.50
			n_1	1635	2000	3455	4100	1680	2300	3480	4110
			I_{M400}	4.8	3.3	9.1	5.8	8.5	5.5	15.8	10.2
			P_N	2.10	1.40	3.90	2.30	3.80	2.60	6.90	4.10
			J_M	19.32	19.24	19.24	19.24	36.04	36.04	36.04	36.04
96.157	5882	10.40	M_2					1935	941	1706	
			c					3.0	5.9	3.2	
			$n_{2 \text{ Eck}}$					18	24	36	
			$n_{2 \text{ th}}$					17	24	32	
106.296	5447	6.52	M_2	1175		1054					
			c	4.5		4.7					
			$n_{2 \text{ Eck}}$	15		33					
			$n_{2 \text{ th}}$	15		33					
106.296	5920	6.52	M_2					2145	1047	1891	919
			c					2.7	5.4	2.9	5.5
			$n_{2 \text{ Eck}}$					16	22	33	39
			$n_{2 \text{ th}}$					16	22	29	29
130.278	5920	6.00	M_2	1448		1300		2643	1297	2331	1139
			c	4.0		4.2		2.2	4.4	2.4	4.5
			$n_{2 \text{ Eck}}$	13		27		13	18	27	32
			$n_{2 \text{ th}}$	13		27		13	18	24	24
139.211	5736	4.42	M_2	1553		1395		2830	1392	2497	1223
			c	3.6		3.8		2.0	4.0	2.2	4.1
			$n_{2 \text{ Eck}}$	12		25		12	17	25	30
			$n_{2 \text{ th}}$	12		25		12	17	22	22
158.194	5920	4.40	M_2	1771	962	1591		3222	1588	2844	1395
			c	3.3	5.8	3.5		1.8	3.6	2.0	3.7
			$n_{2 \text{ Eck}}$	10	13	22		11	15	22	26
			$n_{2 \text{ th}}$	10	13	22		11	15	20	20
171.111	5920	5.49	M_2	1921	1045	1725		3491	1723	3081	1514
			c	3.0	5.4	3.2		1.7	3.4	1.8	3.4
			$n_{2 \text{ Eck}}$	10	12	20		10	13	20	24
			$n_{2 \text{ th}}$	10	12	20		10	13	18	18
204.722	5920	2.86	M_2	2310	1263	2076	1012	4188	2073	3697	1822
			c	2.5	4.5	2.7	5.1	1.4	2.8	1.5	2.9
			$n_{2 \text{ Eck}}$	8	10	17	20	8	11	17	20
			$n_{2 \text{ th}}$	8	10	17	18	8	11	15	15
236.622	5779	2.65	M_2	2682	1470	2410	1179	4852	2407	4284	2116
			c	2.1	3.8	2.3	4.3	1.2	2.4	1.3	2.4
			$n_{2 \text{ Eck}}$	7	9	15	17	7	10	15	17
			$n_{2 \text{ th}}$	7	8	15	15	7	10	13	13
248.458	5920	2.06	M_2	2817	1546	2532	1240	5097	2529	4500	2224
			c	2.1	3.7	2.2	4.2	1.2	2.3	1.3	2.4
			$n_{2 \text{ Eck}}$	7	8	14	17	7	9	14	17
			$n_{2 \text{ th}}$	7	8	14	14	7	9	13	13
268.889	5920	2.65	M_2	3054	1678	2745	1346	5521	2742	4875	2411
			c	1.9	3.4	2.0	3.8	1.1	2.1	1.2	2.2
			$n_{2 \text{ Eck}}$	6	7	13	15	6	9	13	15
			$n_{2 \text{ th}}$	6	7	13	13	6	9	12	12
326.333	5920	1.92	M_2	3720	2049	3344	1646		3341		2938
			c	1.6	2.8	1.7	3.2		1.8		1.8
			$n_{2 \text{ Eck}}$	5	6	11	13		7		13
			$n_{2 \text{ th}}$	5	6	11	11		7		10
363.000	5779	2.45	M_2	4146	2288	3728	1838				
			c	1.4	2.5	1.5	2.8				
			$n_{2 \text{ Eck}}$	5	6	10	11				
			$n_{2 \text{ th}}$	5	6	10	10				

$M \dots$ [Nm]
 $n \dots$ [r/min]
 $J \dots$ [kgcm²]

$P \dots$ [kW]
 $I \dots$ [A]
 i [-]
 c [-]



$M_{2GN} \leq 5920 \text{ Nm}$

195C17	195C23	195C35	195C42	21XC17	21XC25	21XC35	21XC42	GST14-3A			
...F10	...S00	...F10	...S00	...F10	...S00	...F10	...S00	M_1	J_G	M_{2GN}	i
36.30	16.30	36.00	12.00	61.40	24.60	55.00	17.00	n_1			
1700	2340	3510	4150	1710	2490	3520	4160	I_{M400}			
13.9	8.2	28.7	14.0	22.5	13.5	42.5	19.8	P_N			
6.40	4.00	13.20	5.20	11.00	6.40	20.30	7.40	J_M			
72.12	72.12	72.04	72.12	180.04	180.04	180.04	180.04	M_2			
3309	1452	3284	1059	5640	2223	5049	1523	c	10.40	5882	96.157
18	3.9	1.7	4.8	1.0	2.6	1.1	3.4	$n_{2 \text{ Eck}}$			
18	24	37	43	18	26	37	43	$n_{2 \text{ th}}$			
18	24	25	25	18	21	21	21	M_2			
								c	6.52	5447	106.296
								$n_{2 \text{ Eck}}$			
								$n_{2 \text{ th}}$			
3664	1611	3637	1176					M_2			
1.6	3.6	1.5	4.4					c	6.52	5920	106.296
16	22	33	39					$n_{2 \text{ Eck}}$			
16	22	23	23					$n_{2 \text{ th}}$			
4505	1989	4470	1454					M_2			
1.3	2.9	1.3	3.6					c	6.00	5920	130.278
13	18	27	32					$n_{2 \text{ Eck}}$			
13	18	19	19					$n_{2 \text{ th}}$			
4820	2131	4783	1559					M_2			
1.2	2.7	1.1	3.2					c	4.42	5736	139.211
12	17	25	30					$n_{2 \text{ Eck}}$			
12	17	18	18					$n_{2 \text{ th}}$			
5483	2428	5441	1778					M_2			
1.1	2.4	1.0	2.9					c	4.40	5920	158.194
11	15	22	26					$n_{2 \text{ Eck}}$			
11	15	15	15					$n_{2 \text{ th}}$			
	2631		1927					M_2			
	2.2		2.7					c	5.49	5920	171.111
	14		24					$n_{2 \text{ Eck}}$			
	14		14					$n_{2 \text{ th}}$			
								M_2			
								c	2.86	5920	204.722
								$n_{2 \text{ Eck}}$			
								$n_{2 \text{ th}}$			
								M_2			
								c	2.65	5779	236.622
								$n_{2 \text{ Eck}}$			
								$n_{2 \text{ th}}$			
								M_2			
								c	2.06	5920	248.458
								$n_{2 \text{ Eck}}$			
								$n_{2 \text{ th}}$			
								M_2			
								c	2.65	5920	268.889
								$n_{2 \text{ Eck}}$			
								$n_{2 \text{ th}}$			
								M_2			
								c	1.92	5920	326.333
								$n_{2 \text{ Eck}}$			
								$n_{2 \text{ th}}$			
								M_2			
								c	2.45	5779	363.000
								$n_{2 \text{ Eck}}$			
								$n_{2 \text{ th}}$			

M ... [Nm]
n ... [r/min]
J ... [kgcm²]

P ... [kW]
I ... [A]
i [-]
c [-]



GST [Nm]

GST□□-□A (MCA)

$M_{2GN} \leq 5920 \text{ Nm}$

GST14-3A				14LC16	14LC20	14LC35	14LC41	17NC17	17NC23	17NC35	17NC41
				...F10	...S00	...F10	...S00	...F10	...S00	...F10	...S00
i	M_{2GN}	J_G	M_1	12.00	6.70	10.80	5.40	21.50	10.80	19.00	9.50
			n_1	1635	2000	3455	4100	1680	2300	3480	4110
			I_{M400}	4.8	3.3	9.1	5.8	8.5	5.5	15.8	10.2
			P_N	2.10	1.40	3.90	2.30	3.80	2.60	6.90	4.10
			J_M	19.32	19.24	19.24	19.24	36.04	36.04	36.04	36.04
412.500	5920	1.78	M_2	4718	2607	4243	2095				
			c	1.3	2.2	1.3	2.5				
			$n_{2 \text{ Eck}}$	4	5	8	10				
			$n_{2 \text{ th}}$	4	5	8	9				

M ... [Nm]
 n ... [r/min]
 J ... [kgcm²]

P ... [kW]
 I ... [A]
 i [-]
 c [-]



$M_{2GN} \leq 5920 \text{ Nm}$

195C17	195C23	195C35	195C42	21XC17	21XC25	21XC35	21XC42	GST14-3A			
...F10	...S00	...F10	...S00	...F10	...S00	...F10	...S00	M_1	J_G	M_{2GN}	i
36.30	16.30	36.00	12.00	61.40	24.60	55.00	17.00	n_1			
1700	2340	3510	4150	1710	2490	3520	4160	I_{M400}			
13.9	8.2	28.7	14.0	22.5	13.5	42.5	19.8	P_N			
6.40	4.00	13.20	5.20	11.00	6.40	20.30	7.40	J_M			
72.12	72.12	72.04	72.12	180.04	180.04	180.04	180.04	M_2			
								c			
								$n_{2 \text{ Eck}}$	1.78	5920	412.500
								$n_{2 \text{ th}}$			

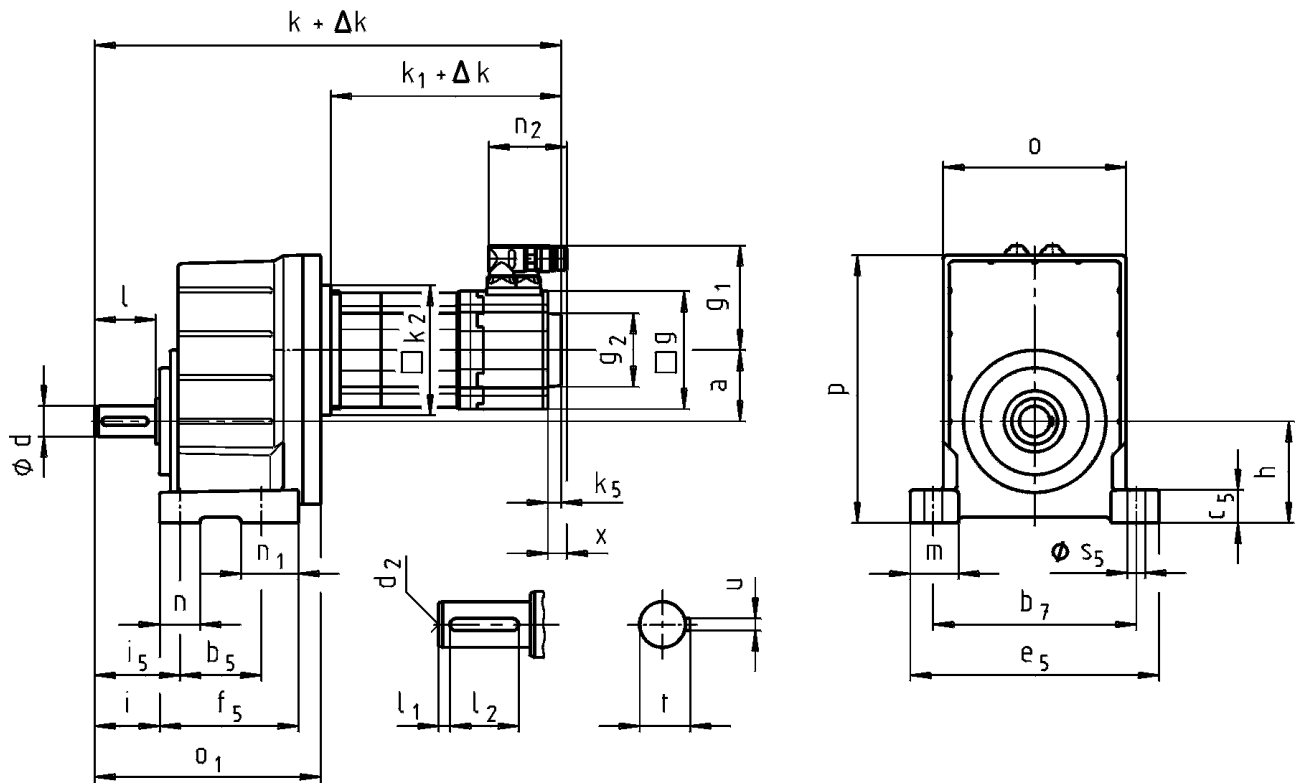
M ... [Nm]
n ... [r/min]
J ... [kgcm²]

P ... [kW]
I ... [A]
i [-]
c [-]



GST [mm]

GST□□-1S (MCS)

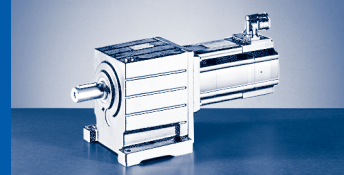


GST□□-1S VBR ... RSO

		06C C41	06F C41	06I C41	09D C41	09F C38	09H C41	09L C41	12D C20	12D C41	12H C15	12H C30	12H C35	12L C20	12L C41	
GST04...	k	279	309	339	331	351	371	411								
GST05...	k	300	330	360	352	372	392	432	369			409			449	
GST06...	k	323	353	383	375	395	415	455	392			432			472	
GST07...	k				404	424	444	484	421			461			501	
GST09...	k								464			504			544	
...RSO B0 ¹⁾	Δk	0														
...RSO P□ ²⁾	Δk	19			20											
...RSO	k ₁	132	162	192	183	203	223	263	188			228			268	
	k ₂	66			91				118				145 ²⁾			
	g	62			89				116							
	k ₅	0			13				14							
	g ₂	□ 62			Ø 67				Ø 72							
	g ₁	76			90				105							
	n ₂	64			78											
	x	21				18										

¹⁾ → 801 - SRS/SRM/ECN/EQN/EQI/C20

²⁾ GST05: 12DC20 ... 12LC41



GST□□-1S VBR ... RSO

		14D C15	14D C36	14H C15	14H C32	14L C15	14L C32	14P C14	14P C32	19F C14	19F C30	19J C14	19J C30	19P C14	19P C30				
GST06...	k	408		448		488		528											
GST07...	k	437		477		517		557		476		516		576					
GST09...	k	480		520		560		600		519		559		619					
...RSO B0 ¹⁾	Δ k	0																	
...RSO P□ ¹⁾	Δ k	28						34			44								
	k ₁	201		241		281		321		220		260		320					
	k ₂	145						195											
	g	143						192											
...RSO	k ₅	24						15											
	g ₂	Ø 78																	
	g ₁	116				147		116		147		141		172		141		172	
	n ₂	78				94		78		94		78		94		78		94	
	x	16				38		16		38		16		36		16		36	

¹⁾ → 801 - SRS/SRM/ECN/EQN/EQI/C20

GST□□-1S VBR

	o	o ₁	p	h	a
GST04...	100	134	138	50	36
GST05...	115	165	168	63	45
GST06...	145	191	211	80	56
GST07...	180	223	264	100	70
GST09...	222	271	329	125	89

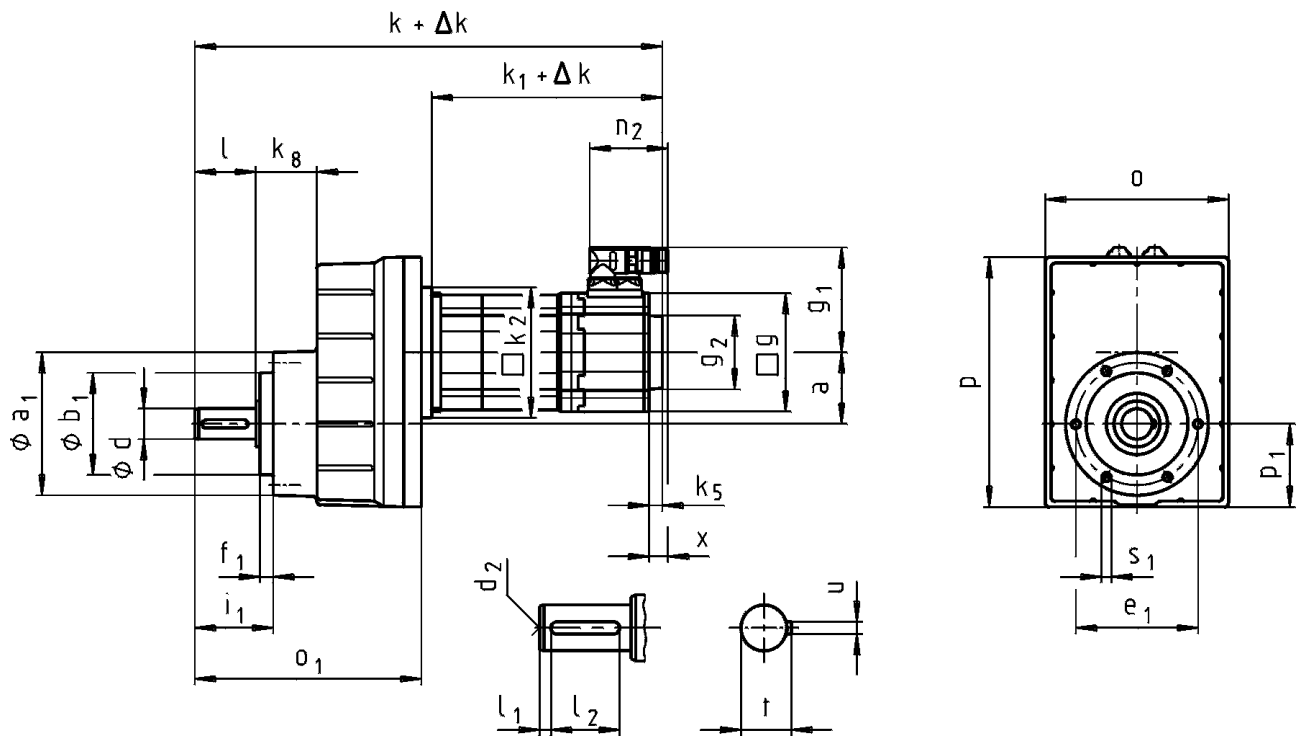
	d	l	l ₁	l ₂	d ₂	u	t	b ₅	b ₇	c ₅	e ₅	f ₅	i	i ₅	m	n	n ₁	s ₅
GST04...	16	32	6	20	M5	5	18	55	105	17	128	80	35	45	24	20	25	9
GST05...	20	40		28	M6	6	22.5	70	125	22	154	99	43	56	32	26	29	11
GST06...	25	50	4	40	M10	8	28	72	160	27	194	115	53	68	37	30	43	13.5
GST07...	30	60	7.5	45				80	200	35	245	137	64	84	48	40	57	
GST09...	40	80	8.5	63				M16	12	43	105	245	43	296	161	84	107	

d ≤ 50 mm: k6; d > 50 mm: m6



GST [mm]

GST□□-1S (MCS)



GST□□-1S VCR ... RSO

		06C C41	06F C41	06I C41	09D C41	09F C38	09H C41	09L C41	12D C20	12D C41	12H C15	12H C30	12H C35	12L C20	12L C41	
GST04...	k	279	309	339	331	351	371	411								
GST05...	k	300	330	360	352	372	392	432	369			409			449	
GST06...	k	323	353	383	375	395	415	455	392			432			472	
GST07...	k				404	424	444	484	421			461			501	
GST09...	k								464			504			544	
...RSO B0 ¹⁾	Δ k	0														
...RSO P□ ²⁾	Δ k	19				20										
	k ₁	132	162	192	183	203	223	263	188			228			268	
	k ₂	66			91							118				
	g	62			89							116				
...RSO	k ₅	0			13							14				
	g ₂	□ 62			Ø 67							Ø 72				
	g ₁	76			90							105				
	n ₂	64								78						
	x				21							18				

¹⁾ → 801 - SRS/SRM/ECN/EQN/EQI/C20

²⁾ GST05: 12DC20 ... 12LC41



GST□□-1S VCR ... RSO

		14D C15	14D C36	14H C15	14H C32	14L C15	14L C32	14P C14	14P C32	19F C14	19F C30	19J C14	19J C30	19P C14	19P C30				
GST06...	k	408		448		488		528											
GST07...	k	437		477		517		557		476		516		576					
GST09...	k	480		520		560		600		519		559		619					
...RSO B0 ¹⁾	Δ k	0																	
...RSO P□ ¹⁾	Δ k	28						34			44								
	k ₁	201		241		281		321		220		260		320					
	k ₂	145						195											
	g	143						192											
...RSO	k ₅	24						15											
	g ₂	Ø 78																	
	g ₁	116				147		116		147		141		172		141		172	
	n ₂	78				94		78		94		78		94		78		94	
	x	16				38		16		38		16		36		16		36	

¹⁾ → 801 - SRS/SRM/ECN/EQN/EQI/C20

GST□□-1S VCR

	o	o ₁	p	p ₁	a	k _g
GST04...	100	134	129	41	36	35
GST05...	115	165	156	51	45	43
GST06...	145	191	194	63	56	48
GST07...	180	223	245	82	70	60
GST09...	222	271	304	101	89	74

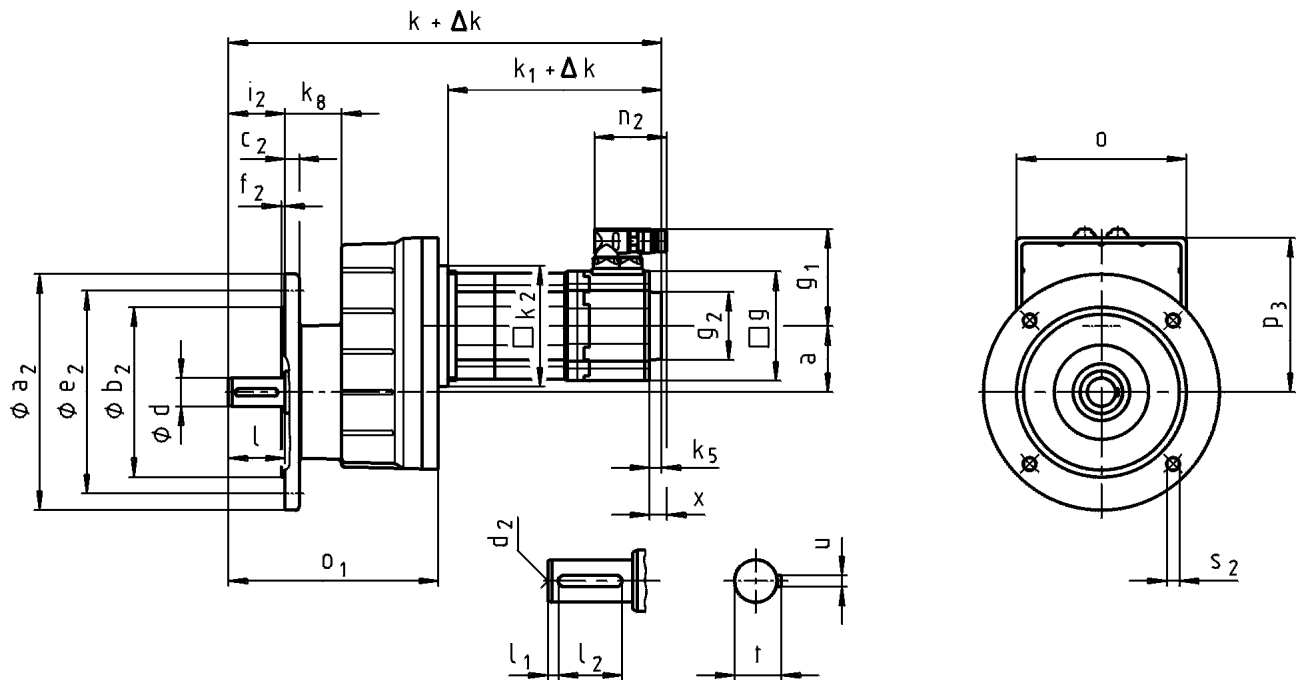
	d	l	l ₁	l ₂	d ₂	u	t	a ₁	b ₁	e ₁	f ₁	i ₁	s ₁
									h7				6x60°
GST04...	16	32	6	20	M5	5	18	72	48	61	8	43	M5x10
GST05...	20	40		28	M6	6	22.5	88	58	74	9	52	M6x12
GST06...	25	50	4	40	M10	8	28	109	70	90	11	64	M8x14
GST07...	30	60	7.5	45			33	140	100	120	13	77	M10x18
GST09...	40	80	8.5	63	M16	12	43	174	120	145	15	100	M12x20

d ≤ 50 mm: k6; d > 50 mm: m6



GST [mm]

GST□□-1S (MCS)



GST□□-1S VCK ... RSO

		06C C41	06F C41	06I C41	09D C41	09F C38	09H C41	09L C41	12D C20	12D C41	12H C15	12H C30	12H C35	12L C20	12L C41	
GST04...	k	279	309	339	331	351	371	411								
GST05...	k	300	330	360	352	372	392	432	369			409			449	
GST06...	k	323	353	383	375	395	415	455	392			432			472	
GST07...	k				404	424	444	484	421			461			501	
GST09...	k								464			504			544	
...RSO B0 ¹⁾	Δ k	0														
...RSO P□ ²⁾	Δ k	19				20										
	k ₁	132	162	192	183	203	223	263	188			228			268	
	k ₂	66			91							118	145 ²⁾			
	g	62			89							116				
...RSO	k ₅	0			13							14				
	g ₂	□ 62			Ø 67							Ø 72				
	g ₁	76			90							105				
	n ₂	64			78											
	x	21						18								

¹⁾ → 801 - SRS/SRM/ECN/EQN/EQI/C20

²⁾ GST05: 12DC20 ... 12LC41



GST□□-1S VCK ... RSO

		14D C15	14D C36	14H C15	14H C32	14L C15	14L C32	14P C14	14P C32	19F C14	19F C30	19J C14	19J C30	19P C14	19P C30				
GST06...	k	408		448		488		528											
GST07...	k	437		477		517		557		476		516		576					
GST09...	k	480		520		560		600		519		559		619					
...RSO B0 ¹⁾	Δ k	0																	
...RSO P□ ¹⁾	Δ k	28						34			44								
	k ₁	201		241		281		321		220		260		320					
	k ₂	145						195											
	g	143						192											
...RSO	k ₅	24						15											
	g ₂	Ø 78																	
	g ₁	116				147		116		147		141		172		141		172	
	n ₂	78				94		78		94		78		94		78		94	
	x	16				38		16		38		16		36		16		36	

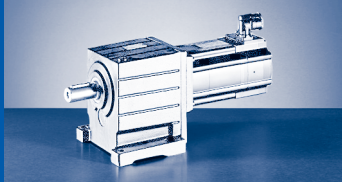
1) → 801 - SRS/SRM/ECN/EQN/EQI/C20

GST□□-1S VCK

	o	o ₁	p ₁	p ₃	a	k _g
GST04...	100	134	41	88	36	35
GST05...	115	165	51	105	45	43
GST06...	145	191	63	131	56	48
GST07...	180	223	82	164	70	60
GST09...	222	271	101	204	89	74

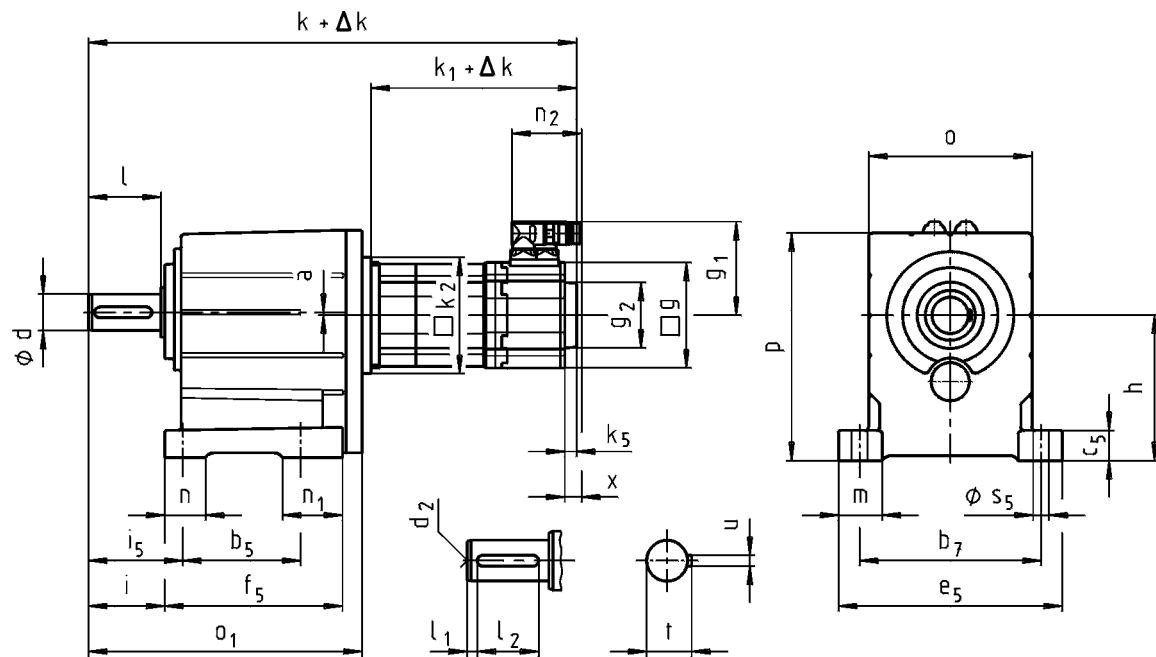
	d	l	l ₁	l ₂	d ₂	u	t	a ₂	b ₂	c ₂	e ₂	f ₂	i ₂	s ₂
									j7					4x90°
GST04...	16	32	6	20	M5	5	18	120	80	10	100	3	32	7
								140	95		115			9
								160	110		130			3.5
GST05...	20	40	6	28	M6	6	22.5	120	80	10	100	3	40	7
								140	95		115			9
								160	110		130			3.5
GST06...	25	50	4	40	M10	8	28	160	110	12	130	3.5	50	9
								200	130		165			11
								200	130		14			165
GST07...	30	60	7.5	45	M10	8	33	250	180	15	215	4	60	13.5
								250	180		16			
GST09...	40	80	8.5	63	M16	12	43	300	230	18	265	4	80	13.5
								300	230		18			

d ≤ 50 mm: k6; d > 50 mm: m6



GST [mm]

GST□□-2S (MCS)



GST□□-2S VBR ... RSO

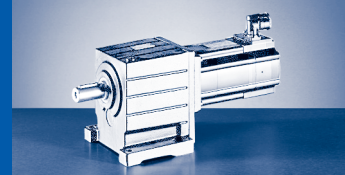
		06C C41	06F C41	06I C41	09D C41	09F C38	09H C41	09L C41	12D C20	12D C41	12H C15	12H C30	12H C35	12L C20	12L C41	
GST03...	k	279 ²⁾	309 ²⁾	339 ²⁾												
	k	291 ³⁾	321 ³⁾	351 ³⁾												
GST04...	k	319	349	379	371	391	411	451								
GST05...	k	349	379	409	401	421	441	481	418			458			498	
GST06...	k	375	405	435	427	447	467	507	444			484			524	
GST07...	k				483	503	523	563	500			540			580	
GST09...	k								563			603			643	
...RSO B0 ¹⁾	Δk	0														
...RSO P□ ¹⁾	Δk	19			20											
	k_1	132	162	192	183	203	223	263	188			228			268	
	k_2	66			91							118				145 ⁴⁾
	g	62			89							116				
...RSO	k_5	0			13							14				
	g_2	□ 62			Ø 67							Ø 72				
	g_1	76			90							105				
	n_2	64								78						
	x				21							18				

¹⁾ → 801 - SRS/SRM/ECN/EQN/EQI/C20

²⁾ d = 14

³⁾ d = 20

⁴⁾ GST05: 12DC20 ... 12LC41



GST□□-2S VBR ... RSO

		14D C15	14D C36	14H C15	14H C32	14L C15	14L C32	14P C14	14P C32	19F C14	19F C30	19J C14	19J C30	19P C14	19P C30				
GST06...	k	460		500		540		580											
GST07...	k	516		556		596		636		555		595		655					
GST09...	k	579		619		659		699		618		658		718					
GST11...	k	636		676		716		756		675		715		775					
GST14...	k									765		805		865					
...RSO B0 ¹⁾	Δ k	0																	
...RSO P□ ²⁾	Δ k	28						34			44								
	k ₁	201		241		281		321		220		260		320					
	k ₂	145						195											
	g	143						192											
...RSO	k ₅	24						15											
	g ₂	Ø 78																	
	g ₁	116				147		116		147		141		172		141		172	
	n ₂	78				94		78		94		78		94		78		94	
	x	16				38		16		38		16		36		16		36	

¹⁾ → 801 - SRS/SRM/ECN/EQN/EQI/C20

GST□□-2S VBR

	o	o ₁	p	h	a
GST03...	90	127 ²⁾ 139 ³⁾	101	65	2
GST04...	100	174	132	80	0
GST05...	115	214	159	100	1
GST06...	145	243	198	125	2
GST07...	180	302	251	160	3
GST09...	222	370	311	200	4
GST11...	270	433	385	250	
GST14...	328	533	479	315	6

²⁾ d = 14

³⁾ d = 20

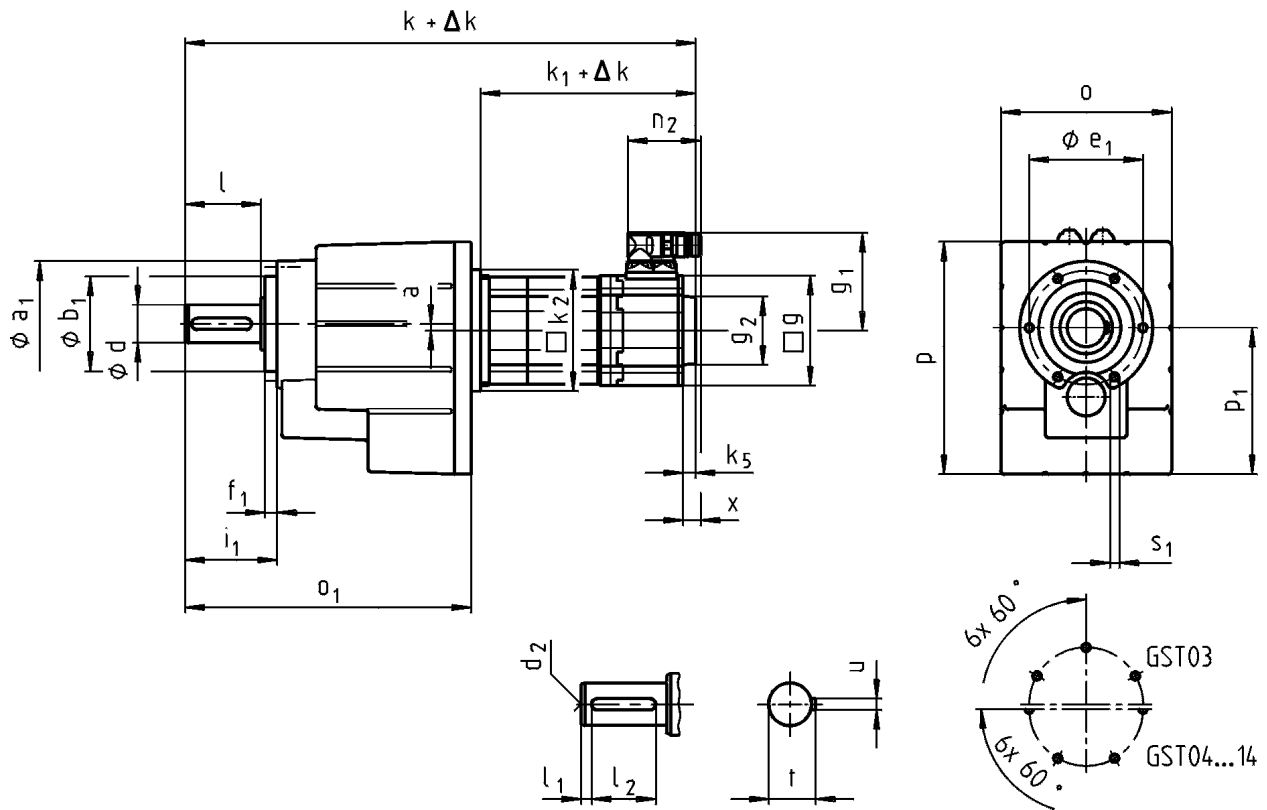
	d	l	l ₁	l ₂	d ₂	u	t	b ₅	b ₇	c ₅	e ₅	f ₅	i	i ₅	m	n	n ₁	s ₅
GST03...	14	28	4	20	M5	5	16	60	91	11	105	84	34	40	20	-	-	6.6
													46	52				
GST04...	20	40	5	28	M6	6	22.5	76	105	18	129	112	43	53	25	20	36	9
GST05...	25	50	4	40	M10	8	28	90	125	23	155	139	53	66	33	26	49	11
GST06...	30	60	6	45			33	106	160	28	196	157	64	79	38	35	52	13.5
GST07...	40	80	7	63	M16	12	43	130	200	34	247	196	84	104	49	45	66	18
GST09...	50	100	8	80			14	53.5	165	245	44	298	239	105	127.5	54	48	
GST11...	60	120		100	M20	18	64	200	300	54	368	280	125	155	69	65	80	22
GST14...	80	160	15	125			22	85	250	380	65	460	340	165	200	85	85	91

d ≤ 50 mm: k6; d > 50 mm: m6



GST [mm]

GST□□-2S (MCS)



GST□□-2S VCR ... RSO

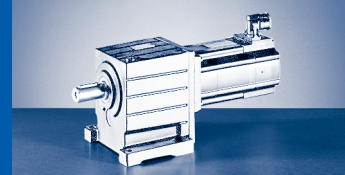
		06C C41	06F C41	06I C41	09D C41	09F C38	09H C41	09L C41	12D C20	12D C41	12H C15	12H C30	12H C35	12L C20	12L C41	
GST03...	k	279 ²⁾	309 ²⁾	339 ²⁾												
	k	291 ³⁾	321 ³⁾	351 ³⁾												
GST04...	k	319	349	379	371	391	411	451								
GST05...	k	349	379	409	401	421	441	481	418			458			498	
GST06...	k	375	405	435	427	447	467	507	444			484			524	
GST07...	k				483	503	523	563	500			540			580	
GST09...	k								563			603			643	
...RSO B0 ¹⁾	Δk	0														
...RSO P□ ²⁾	Δk	19				20										
...RSO	k_1	132	162	192	183	203	223	263	188			228			268	
	k_2	66			91				118				145 ⁴⁾			
	g	62			89				116							
	k_5	0			13				14							
	g_2	□ 62			Ø 67				Ø 72							
	g_1	76			90				105							
	n_2	64							78							
x					21								18			

¹⁾ → 801 - SRS/SRM/ECN/EQN/EQI/C20

²⁾ d = 14

³⁾ d = 20

⁴⁾ GST05: 12DC20 ... 12LC41



GST□□-2S VCR ... RSO

		14D C15	14D C36	14H C15	14H C32	14L C15	14L C32	14P C14	14P C32	19F C14	19F C30	19J C14	19J C30	19P C14	19P C30				
GST06...	k	460		500		540		580											
GST07...	k	516		556		596		636		555		595		655					
GST09...	k	579		619		659		699		618		658		718					
GST11...	k	636		676		716		756		675		715		775					
GST14...	k									765		805		865					
...RSO B0 ¹⁾	Δ k	0																	
...RSO P□ ²⁾	Δ k	28						34			44								
	k ₁	201		241		281		321		220		260		320					
	k ₂	145						195											
	g	143						192											
...RSO	k ₅	24						15											
	g ₂	Ø 78																	
	g ₁	116				147		116		147		141		172		141		172	
	n ₂	78				94		78		94		78		94		78		94	
	x	16				38		16		38		16		36		16		36	

¹⁾ → 801 - SRS/SRM/ECN/EQN/EQI/C20

GST□□-2S VCR

	o	o ₁	p	p ₁	a
GST03...	90	127 ²⁾ 139 ³⁾	100	64	2
GST04...	100	174	129	77	0
GST05...	115	214	156	98	1
GST06...	145	243	194	121	2
GST07...	180	302	245	155	3
GST09...	222	370	304	194	4
GST11...	270	433	378	243	
GST14...	328	533	470	306	6

²⁾ d = 14

³⁾ d = 20

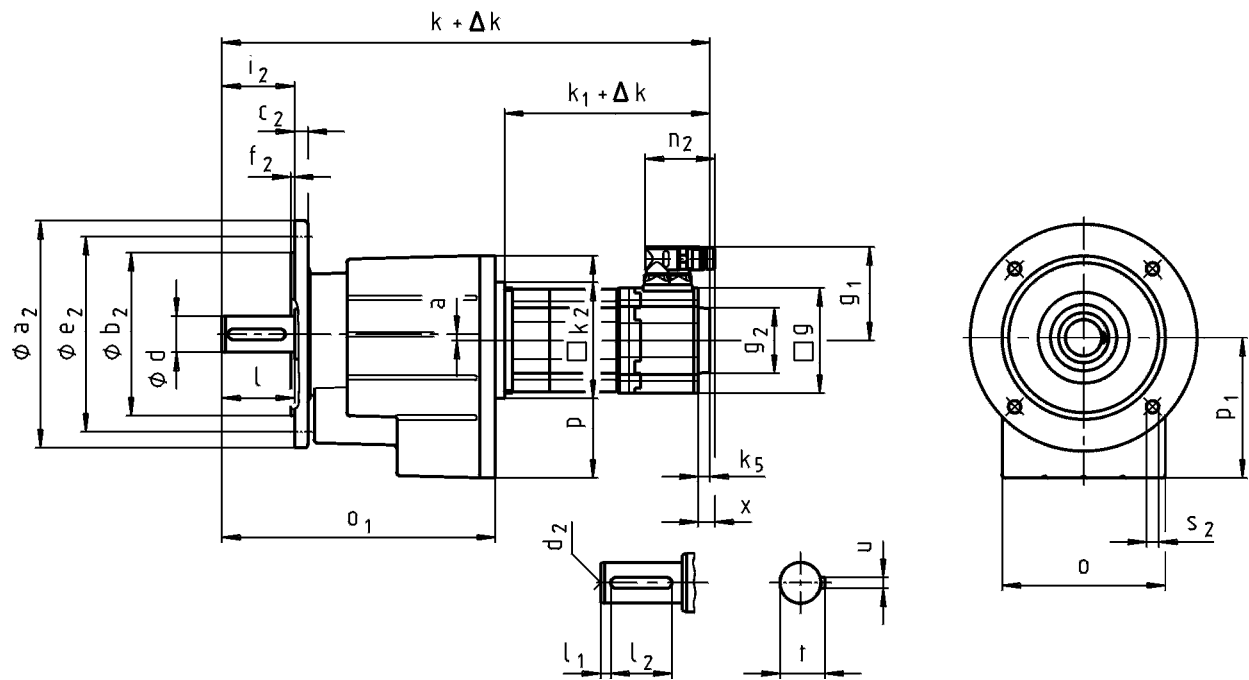
	d	l	l ₁	l ₂	d ₂	u	t	a ₁	b ₁	e ₁	f ₁	i ₁	s ₁
									h7				6x60°
GST03...	14	28	4	20	M5	5	16	71	48	61	8	39	M5x10
GST04...	20	40	5	28	M6	6	22.5	72				51	
GST05...	25	50	4	40	M10	8	28	88	58	74	9	62	M6x12
GST06...	30	60	6	45			33	109	70	90	10	74	M8x14
GST07...	40	80	7	63	M16	12	43	140	100	120	13	97	M10x18
GST09...	50	100	8	80			14	53.5	174	120	145	15	120
GST11...	60	120		100	M20	18	64	215	150	185	18	143	M16x26
GST14...	80	160	15	125				22	85	265	195	230	22

d ≤ 50 mm: k6; d > 50 mm: m6



GST [mm]

GST□□-2S (MCS)



GST□□-2S VCK ... RSO

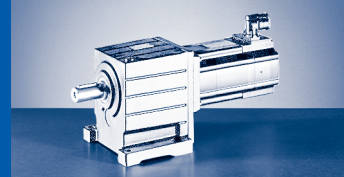
		06C C41	06F C41	06I C41	09D C41	09F C38	09H C41	09L C41	12D C20	12D C41	12H C15	12H C30	12H C35	12L C20	12L C41	
GST03...	k	279 ²⁾	309 ²⁾	339 ²⁾												
	k	291 ³⁾	321 ³⁾	351 ³⁾												
GST04...	k	319	349	379	371	391	411	451								
GST05...	k	349	379	409	401	421	441	481	418			458			498	
GST06...	k	375	405	435	427	447	467	507	444			484			524	
GST07...	k				483	503	523	563	500			540			580	
GST09...	k								563			603			643	
...RSO B0 ¹⁾	Δk	0														
...RSO P□ ¹⁾	Δk	19				20										
	k_1	132	162	192	183	203	223	263	188			228			268	
	k_2	66			91							118	145 ⁴⁾			
	g	62			89							116				
...RSO	k_5	0			13							14				
	g_2	□ 62			Ø 67							Ø 72				
	g_1	76			90							105				
	n_2	64							78							
	x					21							18			

¹⁾ → 801 - SRS/SRM/ECN/EQN/EQI/C20

²⁾ d = 14

³⁾ d = 20

⁴⁾ GST05: 12DC20 ... 12LC41



GST□□-2S VCK ... RSO

		14D C15	14D C36	14H C15	14H C32	14L C15	14L C32	14P C14	14P C32	19F C14	19F C30	19J C14	19J C30	19P C14	19P C30				
GST06...	k	460		500		540		580											
GST07...	k	516		556		596		636		555		595		655					
GST09...	k	579		619		659		699		618		658		718					
GST11...	k	636		676		716		756		675		715		775					
GST14...	k									765		805		865					
...RSO B0 ¹⁾	Δ k	0																	
...RSO P□ ²⁾	Δ k	28						34			44								
	k ₁	201		241		281		321		220		260		320					
	k ₂	145						195											
	g	143						192											
...RSO	k ₅	24						15											
	g ₂	Ø 78																	
	g ₁	116				147		116		147		141		172		141		172	
	n ₂	78				94		78		94		78		94		78		94	
	x	16				38		16		38		16		36		16		36	

¹⁾ → 801 - SRS/SRM/ECN/EQN/EQI/C20

GST□□-2S VCK

	o	o ₁	p	p ₁	a	d	l	l ₁	l ₂	d ₂	u	t
GST03...	90	127 ²⁾ 139 ³⁾	100	64	2	14	28	4	20	M5	5	16
GST04...	100	174	129	77	0	20	40	5	28	M6	6	22.5
GST05...	115	214	156	98	1	25	50	4	40	M10	8	28
GST06...	145	243	194	121	2	30	60	6	45			33
GST07...	180	302	245	155	3	40	80	7	63	M16	12	43
GST09...	222	370	304	194	4	50	100	8	80		14	53.5
GST11...	270	433	378	243		60	120		100	M20	18	64
GST14...	328	533	470	306	6	80	160	15	125		22	85

	a ₂	b ₂	c ₂	e ₂	f ₂	i ₂	s ₂		a ₂	b ₂	c ₂	e ₂	f ₂	i ₂	s ₂
		j7					4x90°			j7					4x90°
GST03...	120	80	10	100	3	28 ²⁾ 40 ³⁾	7	GST06...	160	110	12	130	3.5	60	9
	140	95		115			9		200	130		165			11
	160	110		130	3.5	7	250		180	15	215	4	100	13.5	
GST04...	120	80	10	100	3	40	7	GST07...	300	230	18	265	4	120	14
	140	95		115			9		250	180		16			215
	160	110		130	3.5	7	300		230	18	265	4			100
GST05...	120	80	12	100	3	50	7	GST11...	350	250	20	300	5	160	18
	140	95		115			9		350	250		22			300
	160	110		130	3.5	7	GST14...	400	300	24	350	5	160	18	
	200	130		165	3.5	11		400	300	24	350	5	160	18	

d ≤ 50 mm: k6; d > 50 mm: m6

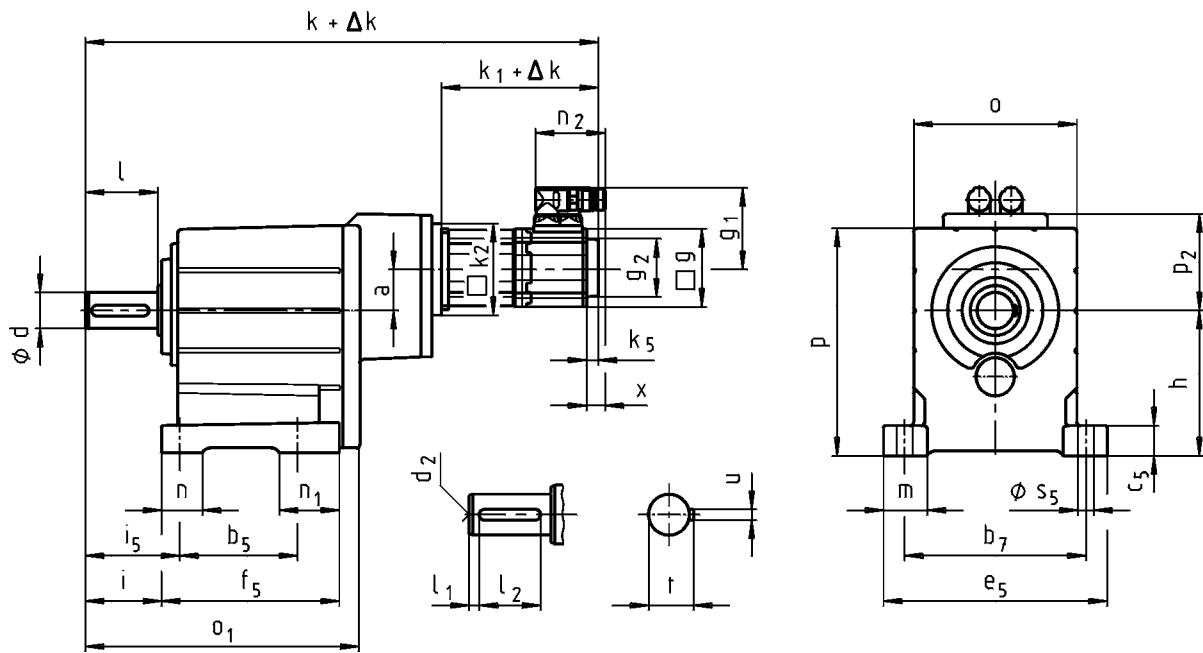
²⁾ d = 14

³⁾ d = 20



GST [mm]

GST□□-3S (MCS)

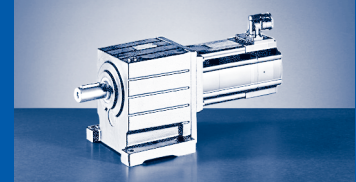


GST□□-3S VBR ... RSO

		06C C41	06F C41	06I C41	09D C41	09F C38	09H C41	09L C41	12D C20	12D C41	12H C15	12H C30	12H C35	12L C20	12L C41	
GST05...	k	425	455	485	478	498	518	558								
GST06...	k	468	498	528	521	541	561	601								
GST07...	k	535	565	595	588	608	628	668	605		645			685		
GST09...	k	616	646	676	669	689	709	749	686		726			766		
GST11...	k				745	765	785	825	762		802			842		
GST14...	k								886		926			966		
...RSO B0 ¹⁾	Δk	0														
...RSO P□ ¹⁾	Δk	19				20										
...RSO	k_1	132	162	192	183	203	223	263	188		228			268		
	k_2	66			91				118				145 ²⁾			
	g	62			89				116							
	k_5	0			13				14							
	g_2	□ 62			Ø 67				Ø 72							
	g_1	76			90				105							
	n_2	64							78							
x	21							18								

¹⁾ → 801 - SRS/SRM/ECN/EQN/EQI/C20

²⁾ GST07: 12DC20 ... 12LC41



GST□□-3S VBR ... RSO

		14D C15	14D C36	14H C15	14H C32	14L C15	14L C32	14P C14	14P C32	19F C14	19F C30	19J C14	19J C30	19P C14	19P C30				
GST09...	k	701		741		781		821											
GST11...	k	777		817		857		897		816		856		916					
GST14...	k	901		941		981		1021		940		980		1040					
...RSO B0 ¹⁾	Δ k	0																	
...RSO P□ ¹⁾	Δ k	28						34			44								
	k ₁	201		241		281		321		220		260		320					
	k ₂	145						195											
	g	143						192											
...RSO	k ₅	24						15											
	g ₂	Ø 78																	
	g ₁	116				147		116		147		141		172		141		172	
	n ₂	78				94		78		94		78		94		78		94	
	x	16				38		16		38		16		36		16		36	

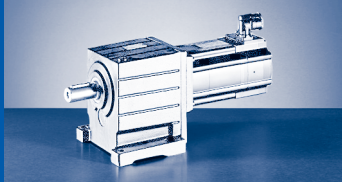
¹⁾ → 801 - SRS/SRM/ECN/EQN/EQI/C20

GST□□-3S VBR

	o	o ₁	p	p ₂	h	a
GST05...	115	208	159	87	100	35
GST06...	145	240	198		125	34
GST07...	180	302	251	103	160	42
GST09...	222	370	311	129	200	52
GST11...	270	433	385	162	250	66
GST14...	328	533	479	200	315	83

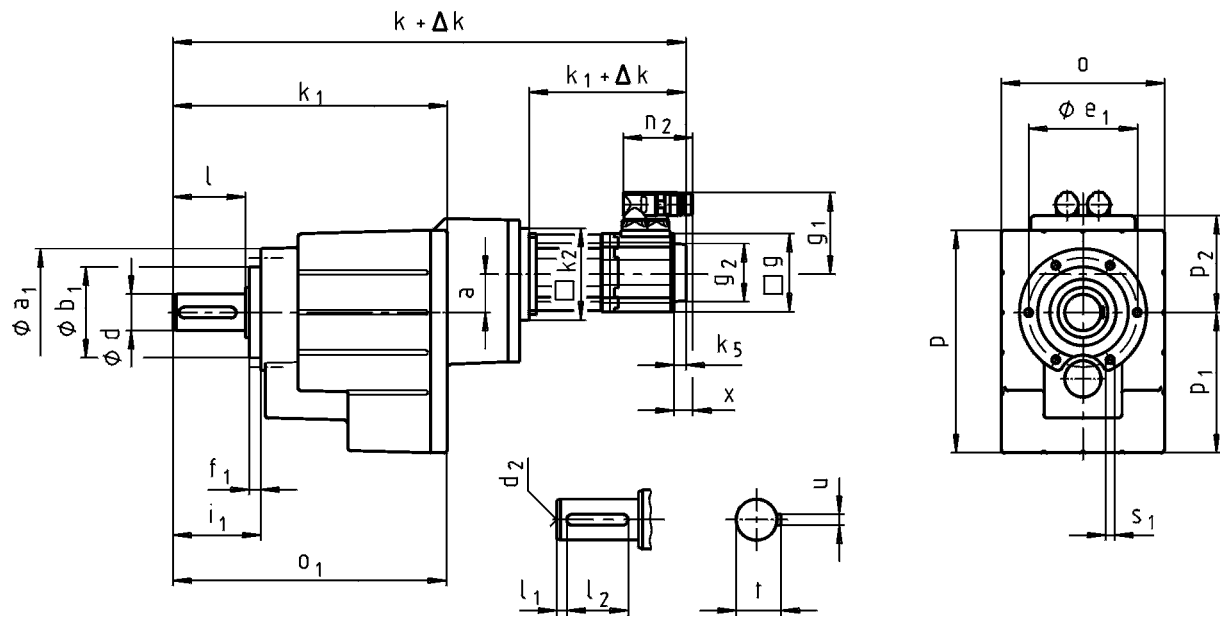
	d	l	l ₁	l ₂	d ₂	u	t	b ₅	b ₇	c ₅	e ₅	f ₅	i	i ₅	m	n	n ₁	s ₅
GST05...	25	50	4	40	M10	8	28	90	125	23	155	139	53	66	33	26	49	11
GST06...	30	60	6	45			33	106	160	28	196	157	64	79	38	35	52	13.5
GST07...	40	80	7	63	M16	12	43	130	200	34	247	196	84	104	49	45	66	18
GST09...	50	100	8	80			14	53.5	165	245	44	298	239	105	127.5	54	48	
GST11...	60	120		100	M20	18	64	200	300	54	368	280	125	155	69	65	80	22
GST14...	80	160	15	125			22	85	250	380	65	460	340	165	200	85	85	91

d ≤ 50 mm: k6; d > 50 mm: m6



GST [mm]

GST□□-3S (MCS)

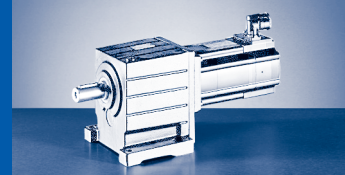


GST□□-3S VCR ... RSO

		06C C41	06F C41	06I C41	09D C41	09F C38	09H C41	09L C41	12D C20	12D C41	12H C15	12H C30	12H C35	12L C20	12L C41	
GST05...	k	425	455	485	478	498	518	558								
GST06...	k	468	498	528	521	541	561	601								
GST07...	k	535	565	595	588	608	628	668	605		645			685		
GST09...	k	616	646	676	669	689	709	749	686		726			766		
GST11...	k				745	765	785	825	762		802			842		
GST14...	k								886		926			966		
...RSO B0 ¹⁾	Δk	0														
...RSO P□ ²⁾	Δk	19				20										
	k ₁	132	162	192	183	203	223	263	188		228			268		
	k ₂	66			91				118				145 ²⁾			
	g	62			89				116							
...RSO	k ₅	0			13				14							
	g ₂	□ 62			Ø 67				Ø 72							
	g ₁	76			90				105							
	n ₂	64							78							
	x				21				18							

¹⁾ → 801 - SRS/SRM/ECN/EQN/EQI/C20

²⁾ GST07: 12DC20 ... 12LC41



GST□□-3S VCR ... RSO

		14D C15	14D C36	14H C15	14H C32	14L C15	14L C32	14P C14	14P C32	19F C14	19F C30	19J C14	19J C30	19P C14	19P C30				
GST09...	k	701		741		781		821											
GST11...	k	777		817		857		897		816		856		916					
GST14...	k	901		941		981		1021		940		980		1040					
...RSO B0 ¹⁾	Δ k	0																	
...RSO P□ ¹⁾	Δ k	28						34			44								
	k ₁	201		241		281		321		220		260		320					
	k ₂	145						195											
	g	143						192											
...RSO	k ₅	24						15											
	g ₂	Ø 78																	
	g ₁	116				147		116		147		141		172		141		172	
	n ₂	78				94		78		94		78		94		78		94	
	x	16				38		16		38		16		36		16		36	

¹⁾ → 801 - SRS/SRM/ECN/EQN/EQI/C20

GST□□-3S VCR

	o	o ₁	p	p ₁	p ₂	a
GST05...	115	208	156	98	87	35
GST06...	145	240	194	121		34
GST07...	180	302	245	155	103	42
GST09...	222	370	304	194	129	52
GST11...	270	433	378	243	162	66
GST14...	328	533	470	306	200	83

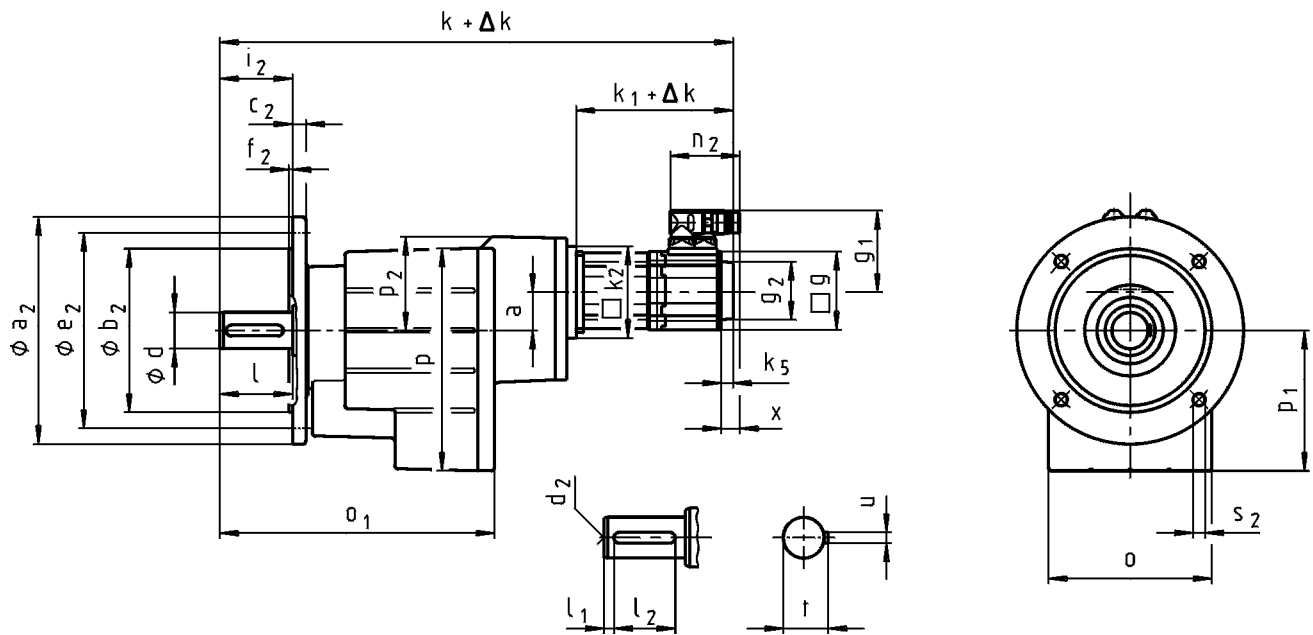
	d	l	l ₁	l ₂	d ₂	u	t	a ₁	b ₁	e ₁	f ₁	i ₁	s ₁
									h7				6x60°
GST05...	25	50	4	40	M10	8	28	88	58	74	9	62	M6x12
GST06...	30	60	6	45			33	109	70	90	10	74	M8x14
GST07...	40	80	7	63	M16	12	43	140	100	120	13	97	M10x18
GST09...	50	100	8	80			53.5	174	120	145	15	120	M12x20
GST11...	60	120		100	M20	18	64	215	150	185	18	143	M16x26
GST14...	80	160	125	22			85	265	195	230	22	187	M20x34

d ≤ 50 mm: k6; d > 50 mm: m6



GST [mm]

GST□□-3S (MCS)

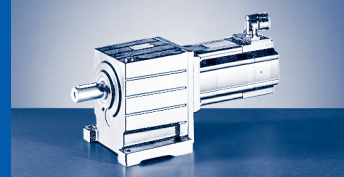


GST□□-3S VCK ... RSO

		06C C41	06F C41	06I C41	09D C41	09F C38	09H C41	09L C41	12D C20	12D C41	12H C15	12H C30	12H C35	12L C20	12L C41	
GST05...	k	425	455	485	478	498	518	558								
GST06...	k	468	498	528	521	541	561	601								
GST07...	k	535	565	595	588	608	628	668	605		645			685		
GST09...	k	616	646	676	669	689	709	749	686		726			766		
GST11...	k				745	765	785	825	762		802			842		
GST14...	k								886		926			966		
...RSO B0 ¹⁾	Δ k	0														
...RSO P□ ²⁾	Δ k	19				20										
	k ₁	132	162	192	183	203	223	263	188		228			268		
	k ₂	66			91				118				145 ²⁾			
	g	62			89				116							
...RSO	k ₅	0			13				14							
	g ₂	□ 62			Ø 67				Ø 72							
	g ₁	76			90				105							
	n ₂	64							78							
	x					21				18						

¹⁾ → 801 - SRS/SRM/ECN/EQN/EQI/C20

²⁾ GST07: 12DC20 ... 12LC41



GST□□-3S VCK ... RSO

		14D C15	14D C36	14H C15	14H C32	14L C15	14L C32	14P C14	14P C32	19F C14	19F C30	19J C14	19J C30	19P C14	19P C30				
GST09...	k	701		741		781		821											
GST11...	k	777		817		857		897		816		856		916					
GST14...	k	901		941		981		1021		940		980		1040					
...RSO B0 ¹⁾	Δ k	0																	
...RSO P□ ¹⁾	Δ k	28						34			44								
	k ₁	201		241		281		321		220		260		320					
	k ₂	145						195											
	g	143						192											
...RSO	k ₅	24						15											
	g ₂	Ø 78																	
	g ₁	116				147		116		147		141		172		141		172	
	n ₂	78				94		78		94		78		94		78		94	
	x	16				38		16		38		16		36		16		36	

1) → 801 - SRS/SRM/ECN/EQN/EQI/C20

GST□□-3S VCK

	o	o ₁	p	p ₁	p ₂	a
GST05...	115	208	156	98	87	35
GST06...	145	240	194	121		34
GST07...	180	302	245	155	103	42
GST09...	222	370	304	194	129	52
GST11...	270	433	378	243	162	66
GST14...	328	533	470	306	200	83

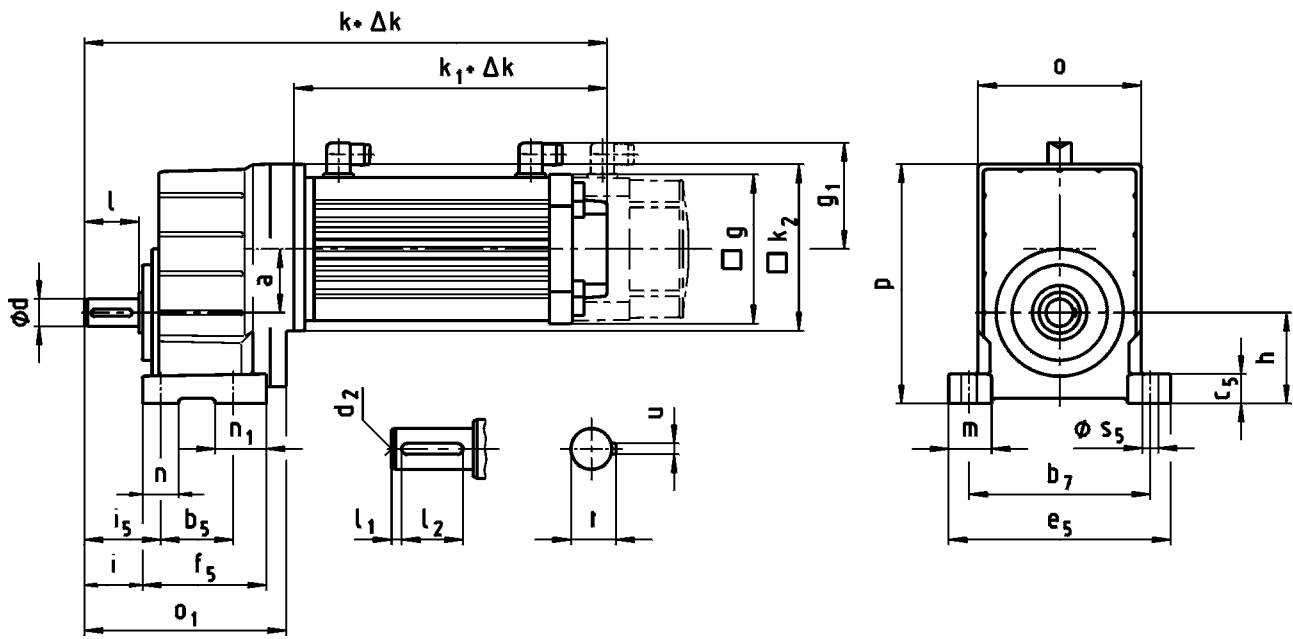
	d	l	l ₁	l ₂	d ₂	u	t	a ₂	b ₂	c ₂	e ₂	f ₂	i ₂	s ₂
									j7					4x90°
GST05...	25	50	4	40	M10	8	28	120	80	10	100	3	50	7
								140	95		115			9
								160	110		130			11
								200	130		165			11
GST06...	30	60	6	45	M16	12	33	160	110	12	130	3.5	60	9
								200	130		165			11
GST07...	40	80	7	63	M16	14	43	250	180	15	215	4	80	13.5
								300	230		18			
GST09...	50	100	8	80	M20	18	53.5	350	250	20	300	5	100	14
								400	300		22			
GST11...	60	120	15	125	M20	22	85	400	300	24	350	5	120	18
								400	300		24			

d ≤ 50 mm: k6; d > 50 mm: m6



GST [mm]

GST□□-1A (MCA)



GST□□-1A VBR ... RSO

		10I C40 ...S00	13I C41 ...S00	13I C34 ...F10	14L C20 ...S00	14L C41 ...S00	14L C16 ...F10	14L C35 ...F10	17N C23 ...S00	17N C41 ...S00
GST04...	k	407	415	483						
GST05...	k	428	436	504	486		548			
GST06...	k	451	459	527	509		571		548	
GST07...	k	480	488	556	538		600		577	
GST09...	k				581		643		620	
...RSO B0 ¹⁾	Δk	0								
...RSO P□ ¹⁾	Δk	25	35			33			35	
	k_1	258	267	335	307		369		346	
	k_2	145				180				
	g	102	131			142			165	
	g_1	90	102			109			118	

¹⁾ → 803 - SRS/SRM/ECN/EQN/EQI/S20/T20/CDD



GST□□-1A VBR ... RSO

		17N C17 ...F10	17N C35 ...F10	19S C23 ...S00	19S C42 ...S00	19S C17 ...F10	19S C35 ...F10	21X C25 ...S00	21X C42 ...S00	21X C17 ...F10	21X C35 ...F10		
GST06...	k	637											
GST07...	k	666		646		743		724		820			
GST09...	k	709		689		786		767		863			
...RSO B0 ¹⁾	Δ k	0											
...RSO P□ ¹⁾	Δ k	35			38			42					
	k ₁	435		408		505		479		575			
	k ₂	180				222				265			
	g	165				192				214			
	g ₁	118				161				172			

¹⁾ → 803 - SRS/SRM/ECN/EQN/EQI/S20/T20/CDD

GST□□-1A VBR

	o	o ₁	p	h	a
GST04...	100	134	138	50	36
GST05...	115	165	168	63	45
GST06...	145	191	211	80	56
GST07...	180	223	264	100	70
GST09...	222	271	329	125	89

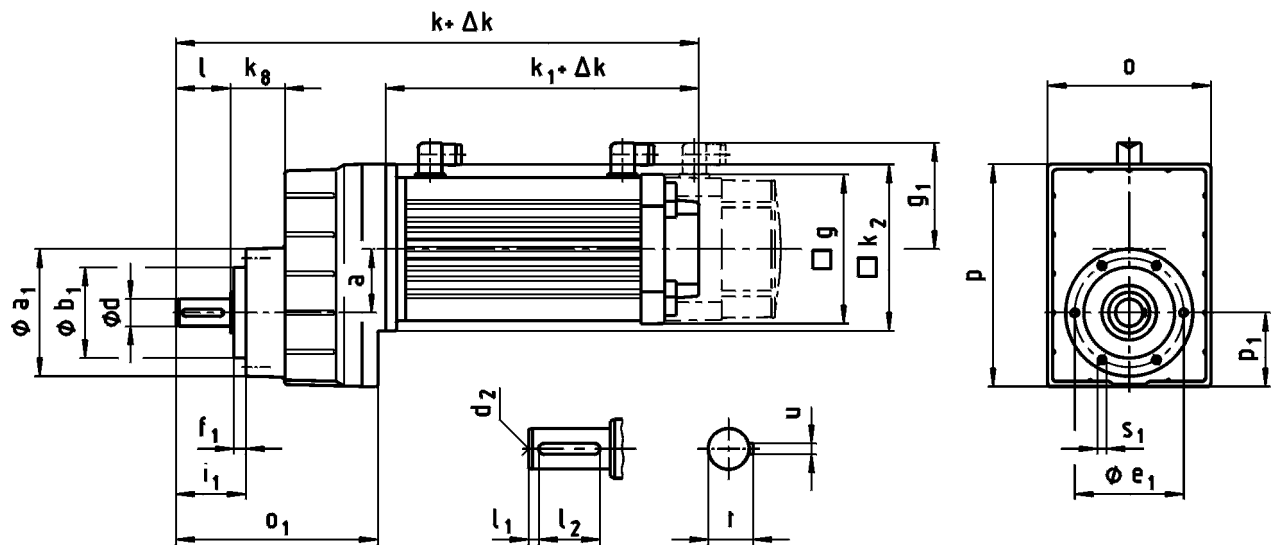
	d	l	l ₁	l ₂	d ₂	u	t	b ₅	b ₇	c ₅	e ₅	f ₅	i	i ₅	m	n	n ₁	s ₅
GST04...	16	32	6	20	M5	5	18	55	105	17	128	80	35	45	24	20	25	9
GST05...	20	40		28	M6	6	22.5	70	125	22	154	99	43	56	32	26	29	11
GST06...	25	50	4	40	M10	8	28	72	160	27	194	115	53	68	37	30	43	13.5
GST07...	30	60	7.5	45			33	80	200	35	245	137	64	84	48	40	57	18
GST09...	40	80	8.5	63			M16	12	43	105	245	43	296	161	84	107	51	

d ≤ 50 mm: k6; d > 50 mm: m6



GST [mm]

GST□□-1A (MCA)



GST□□-1A VCR ... RSO

		10L C40 ...S00	13L C41 ...S00	13L C34 ...F10	14L C20 ...S00	14L C41 ...S00	14L C16 ...F10	14L C35 ...F10	17N C23 ...S00	17N C41 ...S00
GST04...	k	407	415	483						
GST05...	k	428	436	504		486		548		
GST06...	k	451	459	527		509		571		548
GST07...	k	480	488	556		538		600		577
GST09...	k					581		643		620
...RSO B0 ¹⁾	Δk					0				
...RSO P□ ¹⁾	Δk	25	35			33				35
	k_1	258	267	335		307		369		346
	k_2		145					180		
	g	102	131			142				165
	g_1	90	102			109				118

¹⁾ → 803 - SRS/SRM/ECN/EQN/EQI/S20/T20/CDD



GST□□-1A VCR ... RSO

		17N C17 ...F10	17N C35 ...F10	19S C23 ...S00	19S C42 ...S00	19S C17 ...F10	19S C35 ...F10	21X C25 ...S00	21X C42 ...S00	21X C17 ...F10	21X C35 ...F10
GST06...	k	637									
GST07...	k	666		646		743		724		820	
GST09...	k	709		689		786		767		863	
...RSO B0 ¹⁾	Δ k	0									
...RSO P□ ¹⁾	Δ k	35		38				42			
	k ₁	435		408		505		479		575	
	k ₂	180				222		265			
	g	165				192		214			
	g ₁	118				161		172			

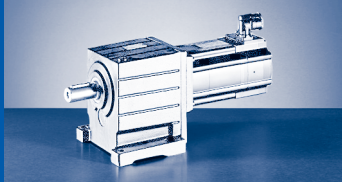
¹⁾ →  803 - SRS/SRM/ECN/EQN/EQI/S20/T20/CDD

GST□□-1A VCR

	o	o ₁	p		p ₁		a		k _g	
GST04...	100	134	129		41		36		35	
GST05...	115	165	156		51		45		43	
GST06...	145	191	194		63		56		48	
GST07...	180	223	245		82		70		60	
GST09...	222	271	304		101		89		74	

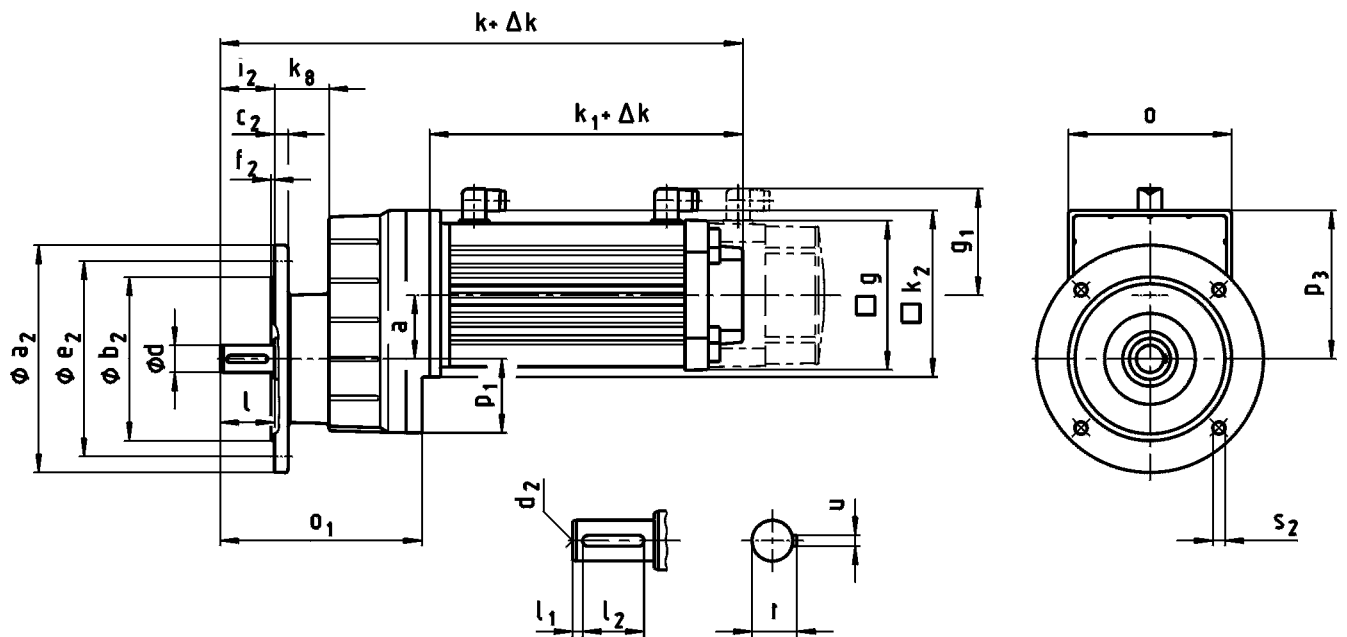
	d	l	l ₁	l ₂	d ₂	u	t	a ₁	b ₁	e ₁	f ₁	i ₁	s ₁
									h7				6x60°
GST04...	16	32	6	20	M5	5	18	72	48	61	8	43	M5x10
GST05...	20	40		28	M6	6	22.5	88	58	74	9	52	M6x12
GST06...	25	50	4	40	M10	8	28	109	70	90	11	64	M8x14
GST07...	30	60	7.5	45			33	140	100	120	13	77	M10x18
GST09...	40	80	8.5	63	M16	12	43	174	120	145	15	100	M12x20

d ≤ 50 mm: k6; d > 50 mm: m6



GST [mm]

GST□□-1A (MCA)



GST□□-1A VCK ... RSO

		10I C40 ...S00	13I C41 ...S00	13I C34 ...F10	14L C20 ...S00	14L C41 ...S00	14L C16 ...F10	14L C35 ...F10	17N C23 ...S00	17N C41 ...S00
GST04...	k	407	415	483						
GST05...	k	428	436	504	486		548			
GST06...	k	451	459	527	509		571		548	
GST07...	k	480	488	556	538		600		577	
GST09...	k				581		643		620	
...RSO B0 ¹⁾	Δk	0								
...RSO P□ ¹⁾	Δk	25	35			33			35	
	k_1	258	267	335	307		369		346	
	k_2	145				180				
	g	102	131			142			165	
	g_1	90	102			109			118	

¹⁾ → 803 - SRS/SRM/ECN/EQN/EQI/S20/T20/CDD



GST□□-1A VCK ... RSO

		17N C17 ...F10	17N C35 ...F10	19S C23 ...S00	19S C42 ...S00	19S C17 ...F10	19S C35 ...F10	21X C25 ...S00	21X C42 ...S00	21X C17 ...F10	21X C35 ...F10
GST06...	k	637									
GST07...	k	666		646		743		724		820	
GST09...	k	709		689		786		767		863	
...RSO B0 ¹⁾	Δ k	0									
...RSO P□ ¹⁾	Δ k	35		38				42			
	k ₁	435		408		505		479		575	
	k ₂	180				222				265	
	g	165				192				214	
	g ₁	118				161				172	

¹⁾ → 803 - SRS/SRM/ECN/EQN/EQI/S20/T20/CDD

GST□□-1A VCK

	o	o ₁	p ₁	p ₃	a	k ₈
GST04...	100	134	41	88	36	35
GST05...	115	165	51	105	45	43
GST06...	145	191	63	131	56	48
GST07...	180	223	82	164	70	60
GST09...	222	271	101	204	89	74

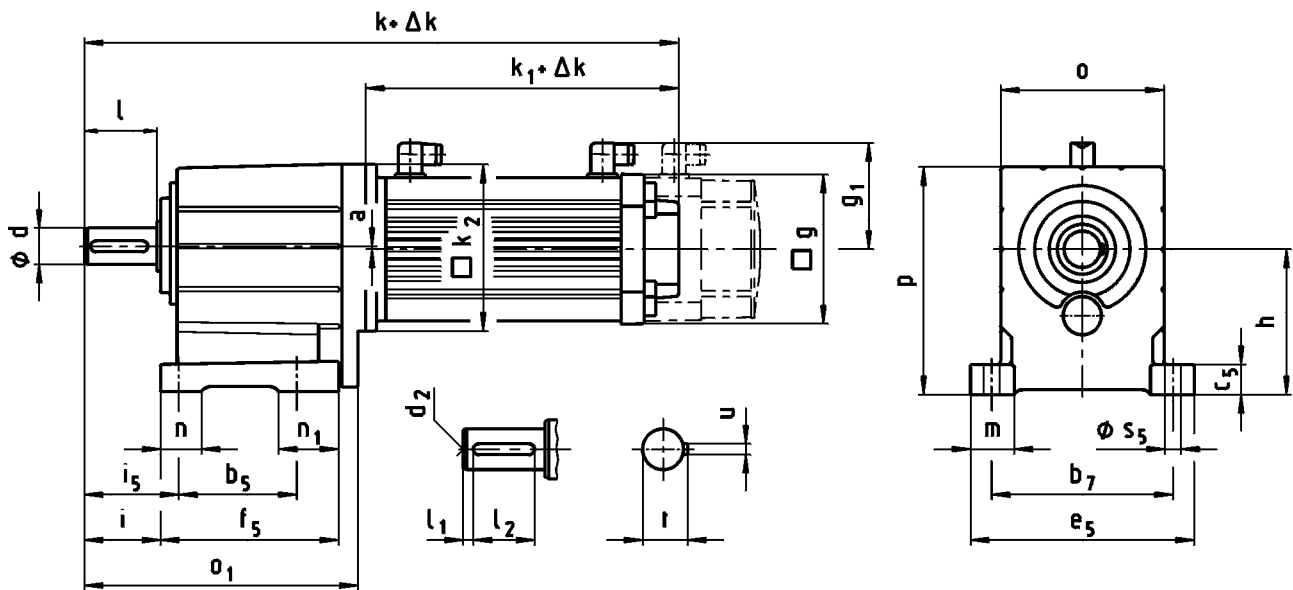
	d	l	l ₁	l ₂	d ₂	u	t	a ₂	b ₂	c ₂	e ₂	f ₂	i ₂	s ₂
									j7					4x90°
GST04...	16	32	6	20	M5	5	18	120	80	10	100	3	32	7
								140	95		115			9
								160	110		130			3.5
GST05...	20	40	6	28	M6	6	22.5	120	80	12	100	3	40	7
								140	95		115			9
								160	110		130			11
								200	130		165			9
GST06...	25	50	4	40	M10	8	28	160	110	14	130	3.5	50	9
GST07...	30	60	7.5	45			33	200	130		165		11	
GST09...	40	80	8.5	63	M16	12	43	250	180	18	215	4	80	13.5
								300	230		16			9
											265			

d ≤ 50 mm: k6; d > 50 mm: m6



GST [mm]

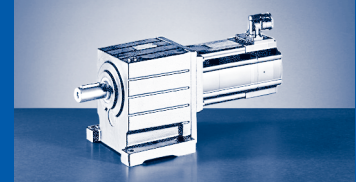
GST□□-2A (MCA)



GST□□-2A VBR ... RSO

		10I C40 ...S00	13I C41 ...S00	13I C34 ...F10	14L C20 ...S00	14L C41 ...S00	14L C16 ...F10	14L C35 ...F10	17N C23 ...S00	17N C41 ...S00
GST04...	k	447	455	523						
GST05...	k	477	485	553	535		597			
GST06...	k	503	511	579	561		623		600	
GST07...	k	559	567	635	617		679		656	
GST09...	k				680		742		719	
GST11...	k				737		799		776	
...RSO B0 ¹⁾	Δk	0								
...RSO P□ ¹⁾	Δk	25	35			33				35
	k_1	258	267	335	307		369			346
	k_2	145				180				
	g	102	131			142				165
	g_1	90	102			109				118

¹⁾ → 803 - SRS/SRM/ECN/EQN/EQI/S20/T20/CDD



GST□□-2A VBR ... RSO

		17N C17 ...F10	17N C35 ...F10	19S C23 ...S00	19S C42 ...S00	19S C17 ...F10	19S C35 ...F10	21X C25 ...S00	21X C42 ...S00	21X C17 ...F10	21X C35 ...F10		
GST06...	k	689											
GST07...	k	745		725		822		803		899			
GST09...	k	808		788		885		866		962			
GST11...	k	865		845		942		923		1019			
GST14...	k			935		1032		1013		1109			
...RSO B0 ¹⁾	Δ k	0											
...RSO P□ ¹⁾	Δ k	35			38			42					
	k ₁	435		408		505		479		575			
	k ₂	180				222				265			
	g	165				192				214			
	g ₁	118				161				172			

¹⁾ → 803 - SRS/SRM/ECN/EQN/EQI/S20/T20/CDD

GST□□-2A VBR

	o		o ₁		p			h		a		
GST04...	100		174		132			80		0		
GST05...	115		214		159			100		1		
GST06...	145		243		198			125		2		
GST07...	180		302		251			160		3		
GST09...	222		370		311			200		4		
GST11...	270		433		385			250		4		
GST14...	328		533		479			315		6		

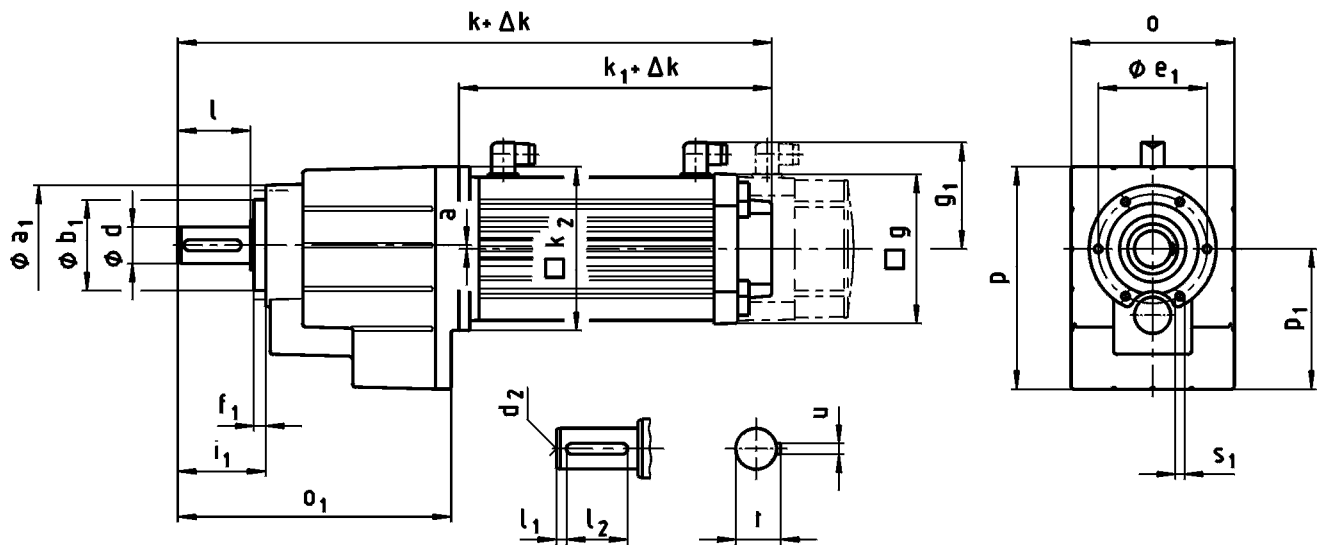
	d	l	l ₁	l ₂	d ₂	u	t	b ₅	b ₇	c ₅	e ₅	f ₅	i	i ₅	m	n	n ₁	s ₅
GST04...	20	40	5	28	M6	6	22.5	76	105	18	129	112	43	53	25	20	36	9
GST05...	25	50	4	40	M10	8	28	90	125	23	155	139	53	66	33	26	49	11
GST06...	30	60	6	45			33	106	160	28	196	157	64	79	38	35	52	13.5
GST07...	40	80	7	63	M16	12	43	130	200	34	247	196	84	104	49	45	66	18
GST09...	50	100	8	80			14	53.5	165	245	44	298	239	105	127.5	54	48	
GST11...	60	120		15	100	M20	18	64	200	300	54	368	280	125	155	69	65	80
GST14...	80	160	125		22			85	250	380	65	460	340	165	200	85	85	91

d ≤ 50 mm: k6; d > 50 mm: m6



GST [mm]

GST□□-2A (MCA)



GST□□-2A VCR ... RSO

		10I C40 ...S00	13I C41 ...S00	13I C34 ...F10	14L C20 ...S00	14L C41 ...S00	14L C16 ...F10	14L C35 ...F10	17N C23 ...S00	17N C41 ...S00
GST04...	k	447	455	523						
GST05...	k	477	485	553	535			597		
GST06...	k	503	511	579	561			623		600
GST07...	k	559	567	635	617			679		656
GST09...	k				680			742		719
GST11...	k				737			799		776
...RSO B0 ¹⁾	Δk					0				
...RSO P□ ¹⁾	Δk	25	35			33			35	
	k_1	258	267	335	307		369		346	
	k_2		145				180			
	g	102	131			142			165	
	g ₁	90	102			109			118	

¹⁾ → 803 - SRS/SRM/ECN/EQN/EQI/S20/T20/CDD



GST□□-2A VCR ... RSO

		17N C17 ...F10	17N C35 ...F10	19S C23 ...S00	19S C42 ...S00	19S C17 ...F10	19S C35 ...F10	21X C25 ...S00	21X C42 ...S00	21X C17 ...F10	21X C35 ...F10
GST06...	k	689									
GST07...	k	745		725		822		803		899	
GST09...	k	808		788		885		866		962	
GST11...	k	865		845		942		923		1019	
GST14...	k			935		1032		1013		1109	
...RSO B0 ¹⁾	Δ k	0									
...RSO P□ ¹⁾	Δ k	35		38				42			
	k ₁	435		408		505		479		575	
	k ₂	180		222				265			
	g	165		192				214			
	g ₁	118		161				172			

¹⁾ → 803 - SRS/SRM/ECN/EQN/EQI/S20/T20/CDD

GST□□-2A VCR

	o	o ₁	p		p ₁		a	
GST04...	100	174	129		77		0	
GST05...	115	214	156		98		1	
GST06...	145	243	194		121		2	
GST07...	180	302	245		155		3	
GST09...	222	370	304		194		4	
GST11...	270	433	378		243		4	
GST14...	328	533	470		306		6	

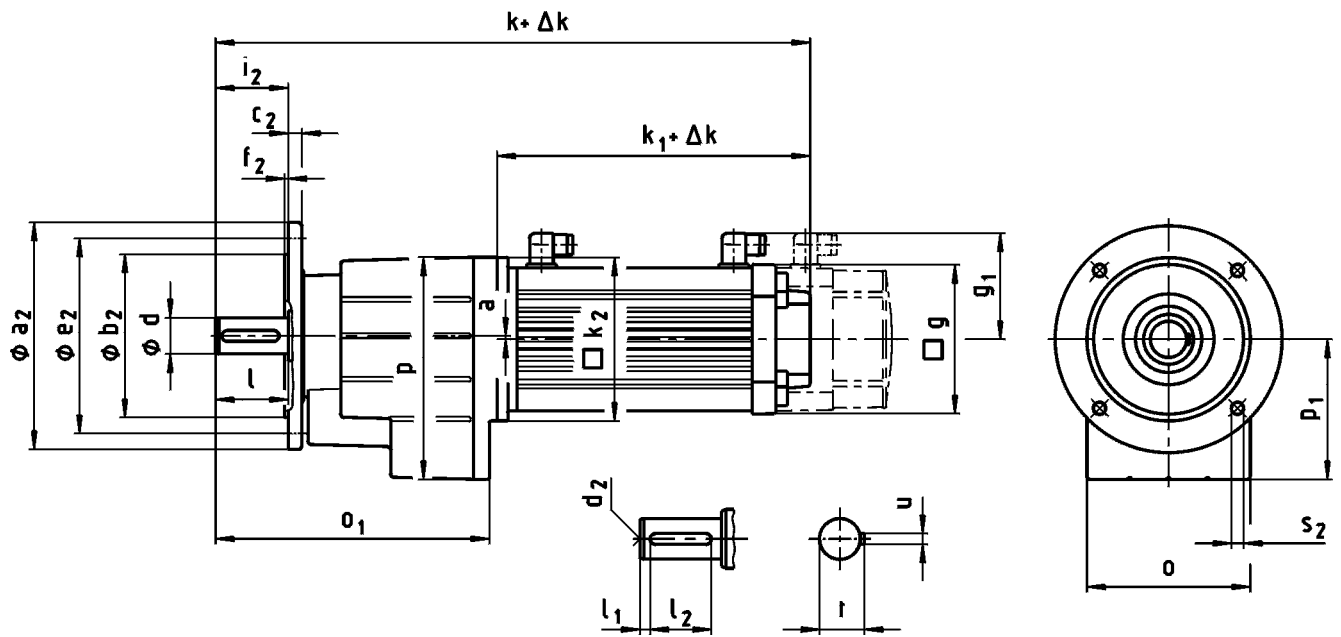
	d	l	l ₁	l ₂	d ₂	u	t	a ₁	b ₁	e ₁	f ₁	i ₁	s ₁
									h7				6x60°
GST04...	20	40	5	28	M6	6	22.5	72	48	61	8	51	M5x10
GST05...	25	50	4	40	M10	8	28	88	58	74	9	62	M6x12
GST06...	30	60	6	45			33	109	70	90	10	74	M8x14
GST07...	40	80	7	63	M16	12	43	140	100	120	13	97	M10x18
GST09...	50	100	8	80			14	53.5	174	120	145	15	120
GST11...	60	120		100	M20	18	64	215	150	185	18	143	M16x26
GST14...	80	160	15	125				22	85	265	195	230	22

d ≤ 50 mm: k6; d > 50 mm: m6



GST [mm]

GST□□-2A (MCA)



GST□□-2A VCK ... RSO

		10I C40 ...S00	13I C41 ...S00	13I C34 ...F10	14L C20 ...S00	14L C41 ...S00	14L C16 ...F10	14L C35 ...F10	17N C23 ...S00	17N C41 ...S00
GST04...	k	447	455	523						
GST05...	k	477	485	553	535		597			
GST06...	k	503	511	579	561		623		600	
GST07...	k	559	567	635	617		679		656	
GST09...	k				680		742		719	
GST11...	k				737		799		776	
...RSO B0 ¹⁾	Δk	0								
...RSO P□ ²⁾	Δk	25	35			33			35	
	k_1	258	267	335	307		369		346	
	k_2	145				180				
	g	102	131			142			165	
	g_1	90	102			109			118	

¹⁾ → 803 - SRS/SRM/ECN/EQN/EQI/S20/T20/CDD



GST□□-2A VCK ... RSO

		17N C17 ...F10	17N C35 ...F10	19S C23 ...S00	19S C42 ...S00	19S C17 ...F10	19S C35 ...F10	21X C25 ...S00	21X C42 ...S00	21X C17 ...F10	21X C35 ...F10
GST06...	k	689									
GST07...	k	745		725		822		803		899	
GST09...	k	808		788		885		866		962	
GST11...	k	865		845		942		923		1019	
GST14...	k			935		1032		1013		1109	
...RSO B0 ¹⁾	Δ k	0									
...RSO P□ ¹⁾	Δ k	35		38				42			
	k ₁	435		408		505		479		575	
	k ₂	180				222				265	
	g	165				192				214	
	g ₁	118				161				172	

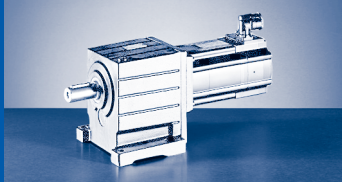
¹⁾ → 803 - SRS/SRM/ECN/EQN/EQI/S20/T20/CDD

GST□□-2A VCK

	o	o ₁	p	p ₁	a	d	l	l ₁	l ₂	d ₂	u	t
GST04...	100	174	129	77	0	20	40	5	28	M6	6	22.5
GST05...	115	214	156	98	1	25	50	4	40	M10	8	28
GST06...	145	243	194	121	2	30	60	6	45			33
GST07...	180	302	245	155	3	40	80	7	63	M16	12	43
GST09...	222	370	304	194	4	50	100	8	80		14	53.5
GST11...	270	433	378	243		60	120		100	M20	18	64
GST14...	328	533	470	306	6	80	160	15	125		22	85

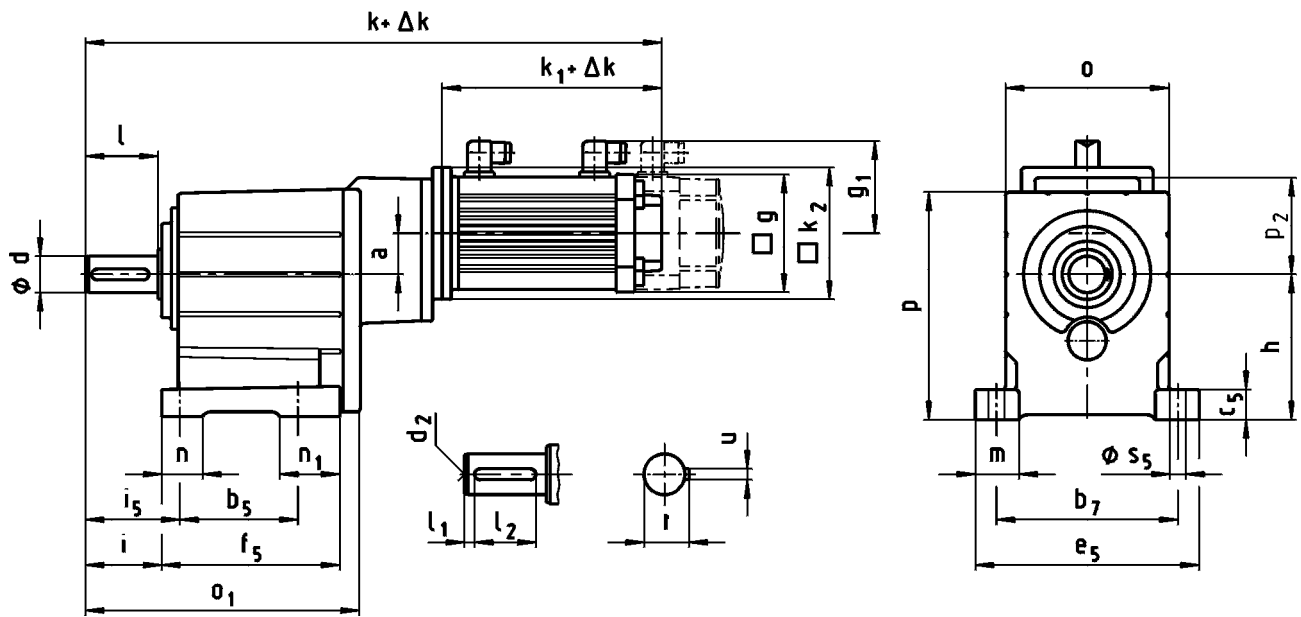
	a ₂	b ₂	c ₂	e ₂	f ₂	i ₂	s ₂		a ₂	b ₂	c ₂	e ₂	f ₂	i ₂	s ₂
		j7					4x90°			j7					4x90°
GST04...	120	80	10	100	3	40	7	GST07...	200	130	14	165	3.5	80	11
	140	95		115			9		250	180	15	215			13.5
	160	110		130	3.5		7		16	4	100				
GST05...	120	80	100	3	50	7	GST09...	300				230	18	265	
	140	95	115			9		22	300	5	160				
	160	110	130	3.5		11						GST11...	350	250	20
GST06...	160	110	12	130	3.5	60	9	GST14...	400	300	24		350	160	18
	200	130		165			11								

d ≤ 50 mm: k6; d > 50 mm: m6



GST [mm]

GST□□-3A (MCA)



GST□□-3A VBR ... RSO

		10I C40 ...S00	13I C41 ...S00	13I C34 ...F10	14L C20 ...S00	14L C41 ...S00	14L C16 ...F10	14L C35 ...F10	17N C23 ...S00	17N C41 ...S00
GST05...	k	553	562	630						
GST06...	k	596	605	673						
GST07...	k	663	672	740	722		784			
GST09...	k	744	753	821	803		865		842	
GST11...	k	820	829	897	879		941		918	
GST14...	k				1003		1065		1042	
...RSO B0 ¹⁾	Δk				0					
...RSO P□ ¹⁾	Δk	25	35			33			35	
	k_1	258	267	335	307		369		346	
	k_2		145				180			
	g	102	131			142			165	
	g_1	90	102			109			118	

¹⁾ → 803 - SRS/SRM/ECN/EQN/EQI/S20/T20/CDD



GST□□-3A VBR ... RSO

		17N C17 ...F10	17N C35 ...F10	19S C23 ...S00	19S C42 ...S00	19S C17 ...F10	19S C35 ...F10	21X C25 ...S00	21X C42 ...S00	21X C17 ...F10	21X C35 ...F10
GST09...	k	931									
GST11...	k	1007		986		1083		1065		1161	
GST14...	k	1131		1110		1207		1189		1285	
...RSO B0 ¹⁾	Δ k	0									
...RSO P□ ¹⁾	Δ k	35		38				42			
	k ₁	435		408		505		479		575	
	k ₂	180				222				265	
	g	165				192				214	
	g ₁	118				161				172	

¹⁾ → 803 - SRS/SRM/ECN/EQN/EQI/S20/T20/CDD

GST□□-3A VBR

	o	o ₁	p	p ₂	h	a
GST05...	115	208	159	87	100	35
GST06...	145	240	198		125	34
GST07...	180	302	251	103	160	42
GST09...	222	370	311	129	200	52
GST11...	270	433	385	162	250	66
GST14...	328	533	479	200	315	83

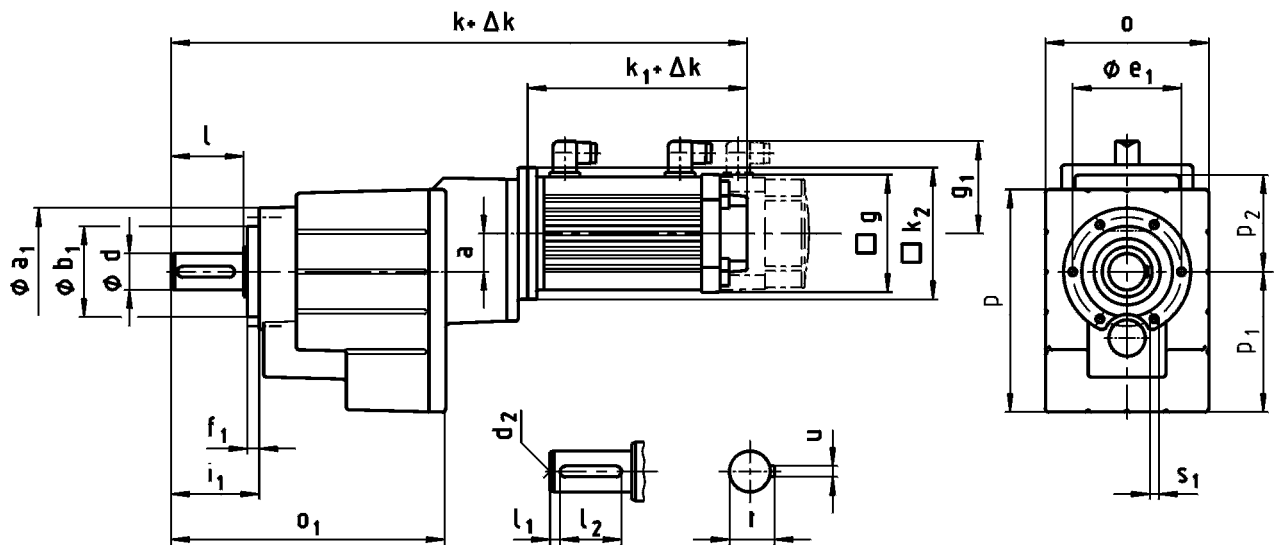
	d	l	l ₁	l ₂	d ₂	u	t	b ₅	b ₇	c ₅	e ₅	f ₅	i	i ₅	m	n	n ₁	s ₅
GST05...	25	50	4	40	M10	8	28	90	125	23	155	139	53	66	33	26	49	11
GST06...	30	60	6	45			33	106	160	28	196	157	64	79	38	35	52	13.5
GST07...	40	80	7	63	M16	12	43	130	200	34	247	196	84	104	49	45	66	18
GST09...	50	100	8	80			14	53.5	165	245	44	298	239	105	127.5	54	48	
GST11...	60	120		100	M20	18	64	200	300	54	368	280	125	155	69	65	80	22
GST14...	80	160	15	125			22	85	250	380	65	460	340	165	200	85	85	91

d ≤ 50 mm: k6; d > 50 mm: m6



GST [mm]

GST□□-3A (MCA)



GST□□-3A VCR ... RSO

		10I C40 ...S00	13I C41 ...S00	13I C34 ...F10	14L C20 ...S00	14L C41 ...S00	14L C16 ...F10	14L C35 ...F10	17N C23 ...S00	17N C41 ...S00
GST05...	k	553	562	630						
GST06...	k	596	605	673						
GST07...	k	663	672	740	722		784			
GST09...	k	744	753	821	803		865		842	
GST11...	k	820	829	897	879		941		918	
GST14...	k				1003		1065		1042	
...RSO B0 ¹⁾	Δk					0				
...RSO P□ ¹⁾	Δk	25		35			33		35	
	k_1	258	267	335		307		369		346
	k_2		145					180		
	g	102		131			142		165	
	g ₁	90		102			109		118	

¹⁾ → 803 - SRS/SRM/ECN/EQN/EQI/S20/T20/CDD



GST□□-3A VCR ... RSO

		17N C17 ...F10	17N C35 ...F10	19S C23 ...S00	19S C42 ...S00	19S C17 ...F10	19S C35 ...F10	21X C25 ...S00	21X C42 ...S00	21X C17 ...F10	21X C35 ...F10
GST09...	k	931									
GST11...	k	1007		986		1083		1065		1161	
GST14...	k	1131		1110		1207		1189		1285	
...RSO B0 ¹⁾	Δ k	0									
...RSO P□ ¹⁾	Δ k	35		38				42			
	k ₁	435		408		505		479		575	
	k ₂	180				222				265	
	g	165				192				214	
	g ₁	118				161				172	

¹⁾ →  803 - SRS/SRM/ECN/EQN/EQI/S20/T20/CDD

GST□□-3A VCR

	o	o ₁	p	p ₁	p ₂	a
GST05...	115	208	156	98	87	35
GST06...	145	240	194	121		34
GST07...	180	302	245	155	103	42
GST09...	222	370	304	194	129	52
GST11...	270	433	378	243	162	66
GST14...	328	533	470	306	200	83

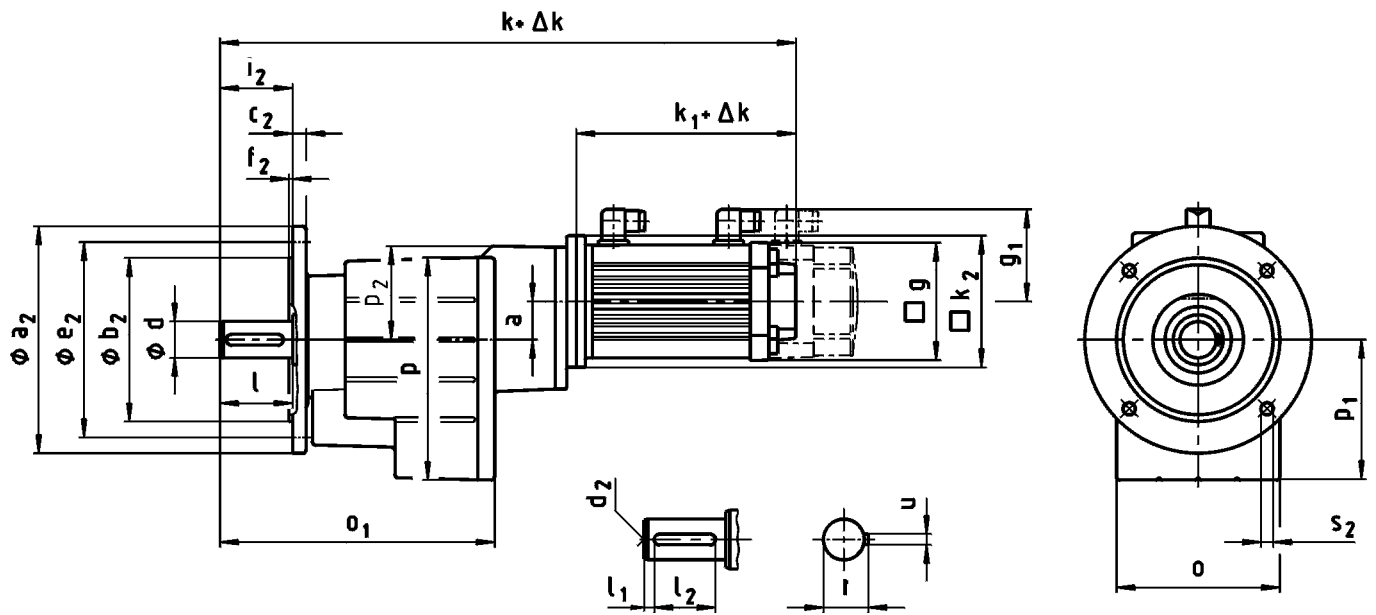
	d	l	l ₁	l ₂	d ₂	u	t	a ₁	b ₁	e ₁	f ₁	i ₁	s ₁
									h7				6x60°
GST05...	25	50	4	40	M10	8	28	88	58	74	9	62	M6x12
GST06...	30	60	6	45			33	109	70	90	10	74	M8x14
GST07...	40	80	7	63	M16	12	43	140	100	120	13	97	M10x18
GST09...	50	100	8	80			53.5	174	120	145	15	120	M12x20
GST11...	60	120		100	M20	18	64	215	150	185	18	143	M16x26
GST14...	80	160	15	125			85	265	195	230	22	187	M20x34

d ≤ 50 mm: k6; d > 50 mm: m6



GST [mm]

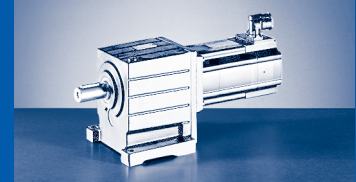
GST□□-3A (MCA)



GST□□-3A VCK ... RSO

		10I C40 ...S00	13I C41 ...S00	13I C34 ...F10	14L C20 ...S00	14L C41 ...S00	14L C16 ...F10	14L C35 ...F10	17N C23 ...S00	17N C41 ...S00
GST05...	k	553	562	630						
GST06...	k	596	605	673						
GST07...	k	663	672	740	722		784			
GST09...	k	744	753	821	803		865		842	
GST11...	k	820	829	897	879		941		918	
GST14...	k				1003		1065		1042	
...RSO B0 ¹⁾	Δk				0					
...RSO P□ ¹⁾	Δk	25	35			33			35	
	k_1	258	267	335	307		369		346	
	k_2		145				180			
	g	102	131			142			165	
	g_1	90	102			109			118	

¹⁾ → 803 - SRS/SRM/ECN/EQN/EQI/S20/T20/CDD



GST□□-3A VCK ... RSO

		17N C17 ...F10	17N C35 ...F10	19S C23 ...S00	19S C42 ...S00	19S C17 ...F10	19S C35 ...F10	21X C25 ...S00	21X C42 ...S00	21X C17 ...F10	21X C35 ...F10
GST09...	k	931				1083		1065		1161	
GST11...	k	1007		986		1083		1065		1161	
GST14...	k	1131		1110		1207		1189		1285	
...RSO B0 ¹⁾	Δ k	0									
...RSO P□ ¹⁾	Δ k	35		38				42			
	k ₁	435		408		505		479		575	
	k ₂	180				222				265	
	g	165				192				214	
	g ₁	118				161				172	

¹⁾ → 803 - SRS/SRM/ECN/EQN/EQI/S20/T20/CDD

GST□□-3A VCK

	o	o ₁	p	p ₁	p ₂	a
GST05...	115	208	156	98	87	35
GST06...	145	240	194	121		34
GST07...	180	302	245	155	103	42
GST09...	222	370	304	194	129	52
GST11...	270	433	378	243	162	66
GST14...	328	533	470	306	200	83

	d	l	l ₁	l ₂	d ₂	u	t	a ₂	b ₂	c ₂	e ₂	f ₂	i ₂	s ₂
									j7					4x90°
GST05...	25	50	4	40	M10	8	28	120	80	10	100	3	50	7
								140	95		115			9
								160	110		130			11
								200	130		165			11
GST06...	30	60	6	45	M16	12	33	160	110	12	130	3.5	60	9
								200	130		165			11
GST07...	40	80	7	63	M16	14	53.5	250	180	15	215	4	80	13.5
GST09...	50	100	8	80				16	265		100			
GST11...	60	120		100	M20	18	64	300	230	18	265	4	120	14
			350					250	20		300			
GST14...	80	160	15	125	M20	22	85	400	300	22	300	5	160	18
								400	300		24			

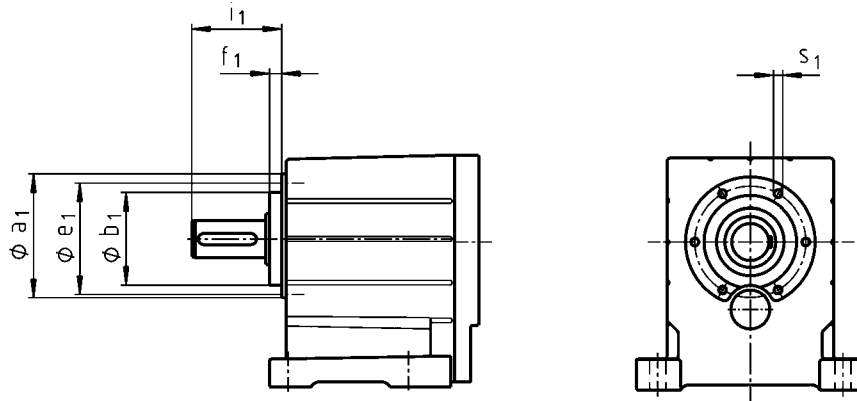
d ≤ 50 mm: k6; d > 50 mm: m6



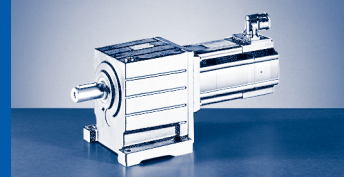
GST & [mm]

GST□□-2 / 3

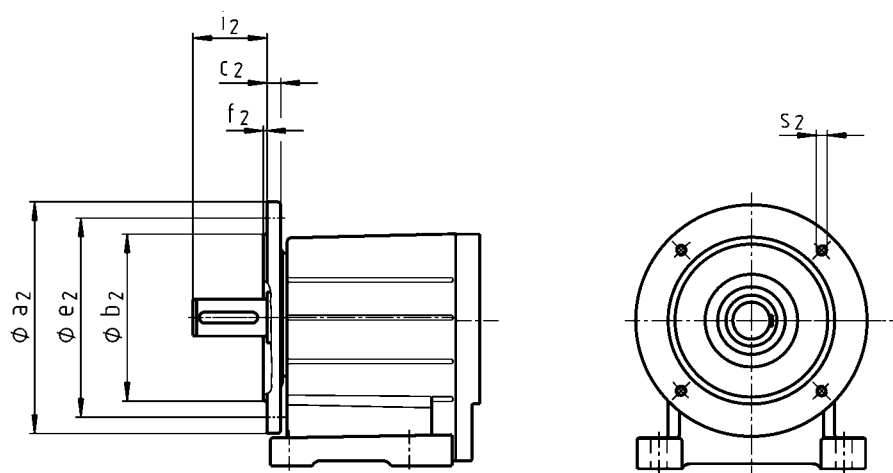
GST□□-2A/S VAR
 GST□□-3A/S VAR



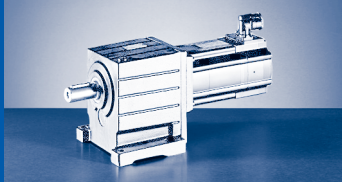
	a ₁	b ₁	e ₁	f ₁	i ₁	s ₁
		h7				6x60°
GST04...	72	48	61	8	51	M5x10
GST05...	88	58	74	9	62	M6x12
GST06...	109	70	90	10	74	M8x14
GST07...	140	100	120	13	97	M10x18
GST09...	174	120	145	15	120	M12x20
GST11...	215	150	185	18	143	M16x26
GST14...	265	195	230	22	187	M20x34



GST□□-2A/S VAL
GST□□-3A/S VAL



	a ₂	b ₂	c ₂	e ₂	f ₂	i ₂	s ₂
		j7					4x90°
GST04...	120	80	10	100	3	40	M6
	140	95		115			M8
GST05...	120	80		100		50	M6
	140	95		115	M8		
GST06...	160	110		12	130	3.5	60
	200	130		14	165		M10
GST07...	250	180	15	215	4	80	
	300	230	16			100	M12
GST09...	350	250	18	265	5	120	
	400	300	20	300		160	M16
GST11...	350	250	22	350	5	120	
	400	300	24			160	M16



GST & [mm]

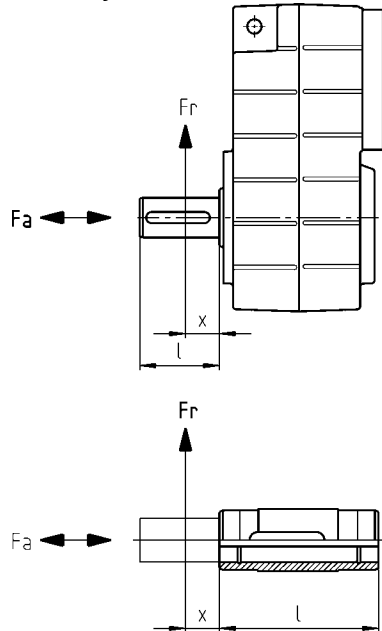
GST□□-2 / 3



Permissible radial force

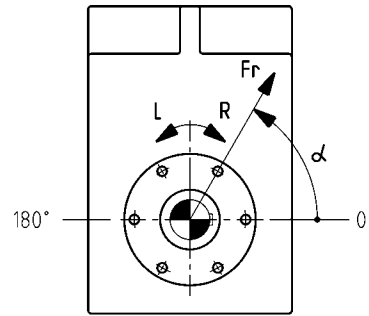
$$Fr_{zul} = \min(f_w \times f_{\alpha} \times Fr_{Tab}; f_w \times Fr_{max})$$

At Fr and $Fa \neq 0$ please contact your Lenze sales office.

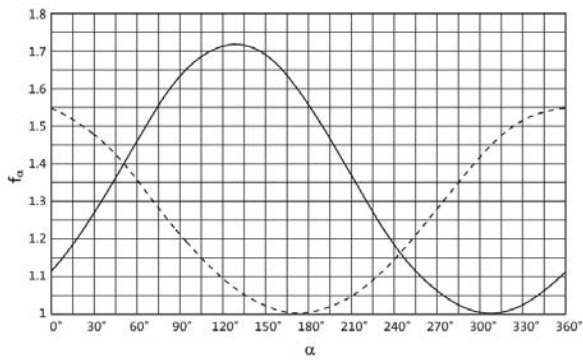


Permissible axial force

$$Fa_{zul} = Fa_{Tab} \text{ at } Fr = 0$$

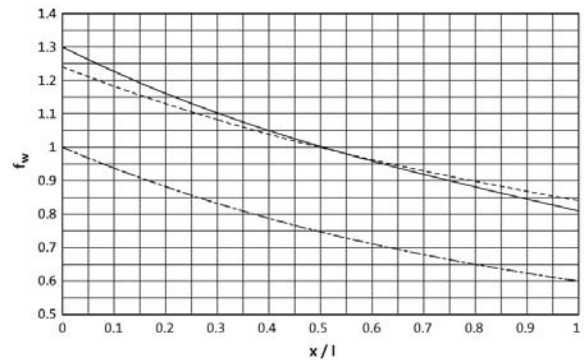


Effective direction factor f_{α} at output shaft

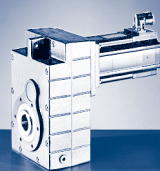


- Direction of rotation R
- - - Direction of rotation L

Additional load factor f_w at output shaft



- Solid shaft (V□)
- - - Solid shaft with flange (V□K)
- · - Hollow shaft (H□)

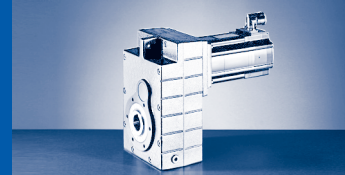


GFL [N]

Solid shaft without flange (V□R)														
Application of force Fr: centre of shaft journal (x = l/2)														
Fa _{Tab} only valid for Fr = 0														
	GFL04-2		GFL05-2/3		GFL06-2/3		GFL07-2/3		GFL09-2/3 ¹⁾		GFL11-2/3 ¹⁾		GFL14-2/3	
n ₂ [r/min]	Fr _{Tab} [N]	Fa _{Tab} [N]	Fr _{Tab} [N]	Fa _{Tab} [N]	Fr _{Tab} [N]	Fa _{Tab} [N]	Fr _{Tab} [N]	Fa _{Tab} [N]	Fr _{Tab} [N]	Fa _{Tab} [N]	Fr _{Tab} [N]	Fa _{Tab} [N]	Fr _{Tab} [N]	Fa _{Tab} [N]
1000	1650	1300	1400	1600	1850	2400	1650	2000	-	-	-	-	-	-
630	2100	1700	1900	2200	2500	3200	2600	2700	-	-	-	-	-	-
400	2300	2200	2400	2800	3200	4000	3200	3400	3800	3100	5500	4700	47000	25000
250	2700	2600	2700	3600	3600	5200	3600	4700	4400	4200	6300	6000	54000	27000
160	3200	3200	3200	4200	3900	6000	3900	6000	5500	5800	7300	7500	62000	29000
100	3600	4200	4000	5900	5100	8500	5100	8500	8000	10000	11200	14000	65000	32000
63	3600	5300	4800	6600	6500	10000	6500	12000	10000	13500	14500	19000	65000	35000
40	3600	5500	5800	6600	8400	10000	8400	14000	12000	17000	17400	25000	65000	35000
25	3600	5500	6200	6600	9000	10000	9000	14000	18000	21000	20500	27000	65000	35000
≤ 16	3600	5500	6200	6600	9000	10000	9000	14000	18000	21000	23000	27000	65000	35000
Fr _{max}	3600	-	7000	-	11000	-	11000	-	22000	-	28000	-	65000	-

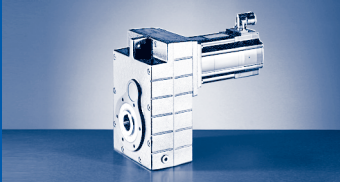
¹⁾ Reinforced output shaft bearings are available on request for V□R versions.

Solid shaft with flange (V□K)														
Application of force Fr: centre of shaft journal (x = l/2)														
Fa _{Tab} only valid for Fr = 0														
	GFL04-2		GFL05-2/3		GFL06-2/3		GFL07-2/3		GFL09-2/3		GFL11-2/3		GFL14-2/3	
n ₂ [r/min]	Fr _{Tab} [N]	Fa _{Tab} [N]	Fr _{Tab} [N]	Fa _{Tab} [N]	Fr _{Tab} [N]	Fa _{Tab} [N]	Fr _{Tab} [N]	Fa _{Tab} [N]	Fr _{Tab} [N]	Fa _{Tab} [N]	Fr _{Tab} [N]	Fa _{Tab} [N]	Fr _{Tab} [N]	Fa _{Tab} [N]
1000	2300	1300	2900	1800	4000	2500	4000	3600	-	-	-	-	-	-
630	2800	1700	3700	2400	5000	3400	5200	4800	-	-	-	-	-	-
400	3200	2200	4300	3100	6100	4300	6400	6100	7800	6100	12500	6800	18000	6000
250	3700	2600	5100	3900	7000	5500	7400	6500	9000	6500	14500	8500	20000	8000
160	4400	3200	5900	4800	7800	6500	8900	7000	10500	7000	17000	10500	23000	10000
100	4600	4200	6800	6400	9600	8500	10500	9500	14000	9500	21500	17000	27500	13000
63	4600	4400	7000	6600	10000	10000	12000	11500	15000	11500	26000	22000	32000	19000
40	4600	4400	7000	6600	10000	10000	13000	11500	15000	11500	30000	27000	38000	26000
25	4600	4400	7000	6600	10000	10000	14000	11500	15000	11500	30000	27000	43000	35000
≤ 16	4600	4400	7000	6600	10000	10000	14000	11500	15000	11500	30000	27000	43000	35000
Fr _{max}	4600	-	7400	-	11000	-	16000	-	16000	-	32000	-	46000	-



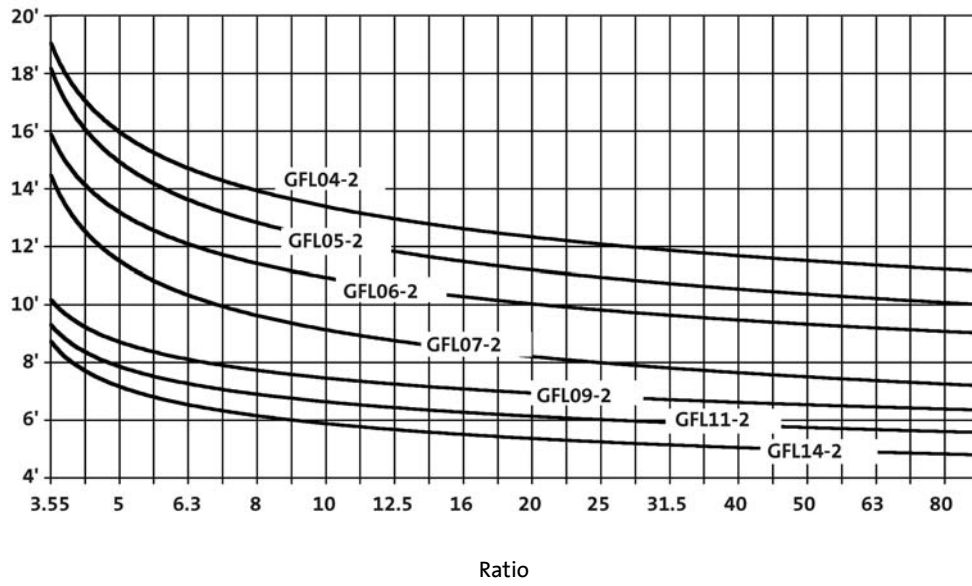
Hollow shaft (H□□)														
Application of force F_r : on hollow shaft end face ($x = 0$)														
$F_{a_{Tab}}$ only valid for $F_r = 0$														
	GFL04-2		GFL05-2/3		GFL06-2/3		GFL07-2/3		GFL09-2/3		GFL11-2/3		GFL14-2/3	
n_2 [r/min]	$F_{r_{Tab}}$ [N]	$F_{a_{Tab}}$ [N]	$F_{r_{Tab}}$ [N]	$F_{a_{Tab}}$ [N]	$F_{r_{Tab}}$ [N]	$F_{a_{Tab}}$ [N]	$F_{r_{Tab}}$ [N]	$F_{a_{Tab}}$ [N]	$F_{r_{Tab}}$ [N]	$F_{a_{Tab}}$ [N]	$F_{r_{Tab}}$ [N]	$F_{a_{Tab}}$ [N]	$F_{r_{Tab}}$ [N]	$F_{a_{Tab}}$ [N]
1000	2100	1300	1800	1600	2400	2400	2200	2000	-	-	-	-	-	-
630	2700	1700	2400	2200	3300	3200	3400	2700	-	-	-	-	-	-
400	2800	2200	3000	2800	4300	4000	4500	3400	5000	3100	7300	4700	8000	4000
250	3200	2600	3400	3600	4700	5200	5100	4700	6000	4200	8700	6000	9000	5000
160	3800	3200	4100	4200	5000	6000	6400	6000	7200	5800	10000	7500	9500	6200
100	4600	4200	5000	5900	6600	8500	7900	8500	10500	10000	14200	14000	11500	7500
63	5500	5300	6000	6600	8500	10000	9300	12000	13000	13500	19000	19000	14000	11000
40	6300	5500	7100	6600	10800	10000	11500	14000	15000	17000	23000	25000	18000	17500
25	7000	5500	8000	6600	12000	10000	15000	14000	22000	21000	27000	27000	30000	31000
≤ 16	7000	5500	8000	6600	12000	10000	16000	14000	24000	21000	30000	27000	45000	35000
$F_{r_{max}}$	7000	-	10000	-	15000	-	20000	-	30000	-	38000	-	56000	-

- ▶ Neither radial nor axial forces are permissible for the hollow shaft with shrink disc (S□□).

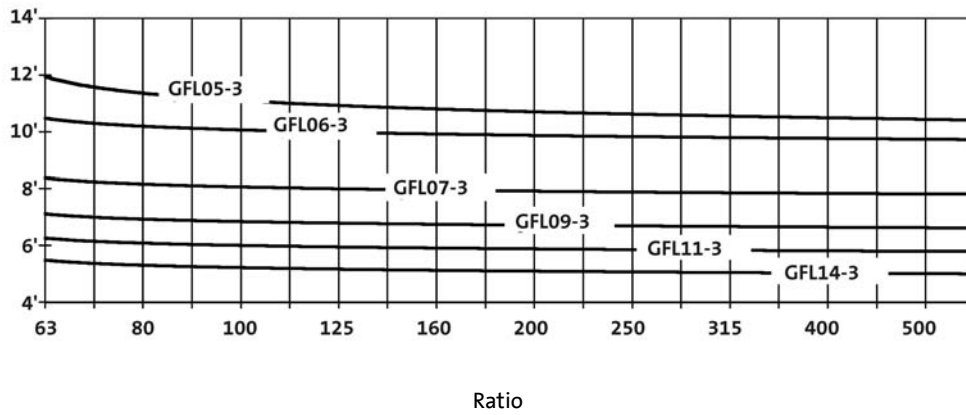


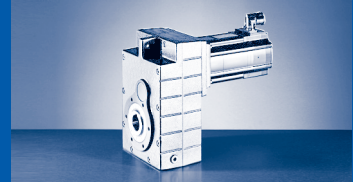
Output backlash in angular minutes

GFL04...14-2



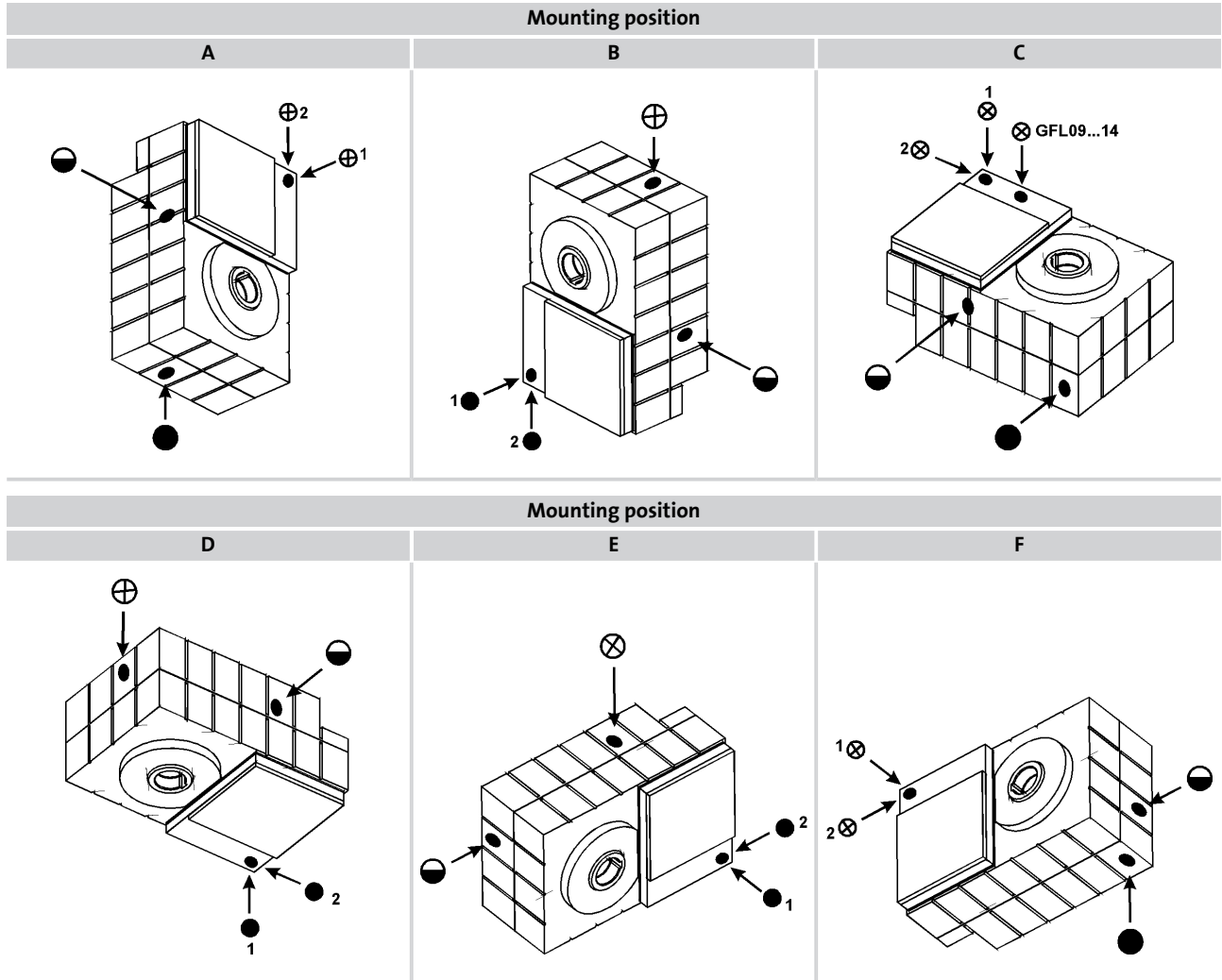
GFL05...14-3





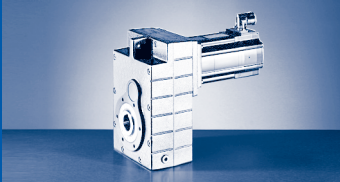
Position of ventilation, sealing elements and oil control

GFL05...14-2



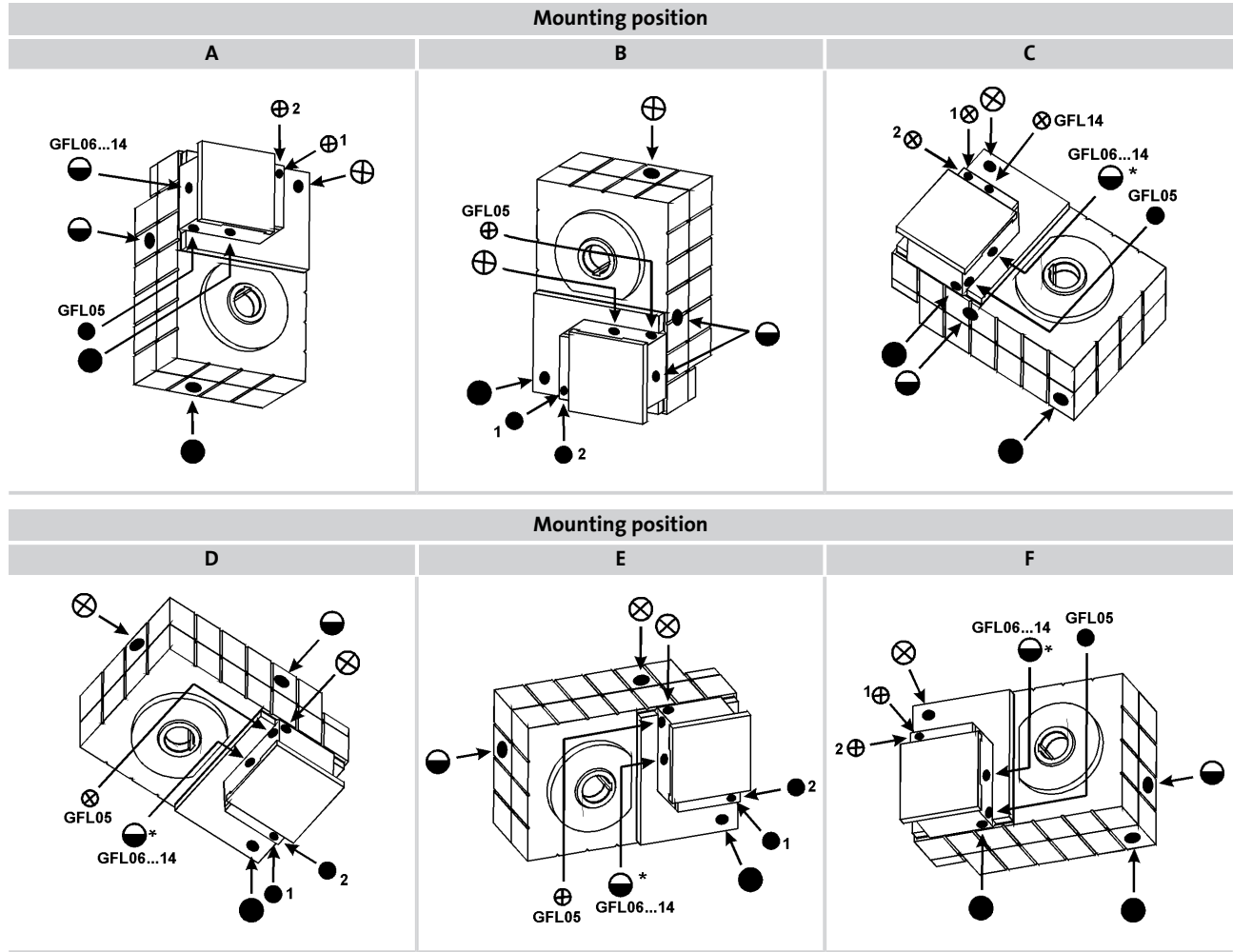
- ⊗ Ventilation/oil filler plug
- Oil drain plug
- ◐ Oil control plug
- * On both sides
- ** Opposite

Pos.1 standard
 Pos.2 only on GFL05-2A □□□ 14LC□□



Position of ventilation, sealing elements and oil control

GFL05...14-3

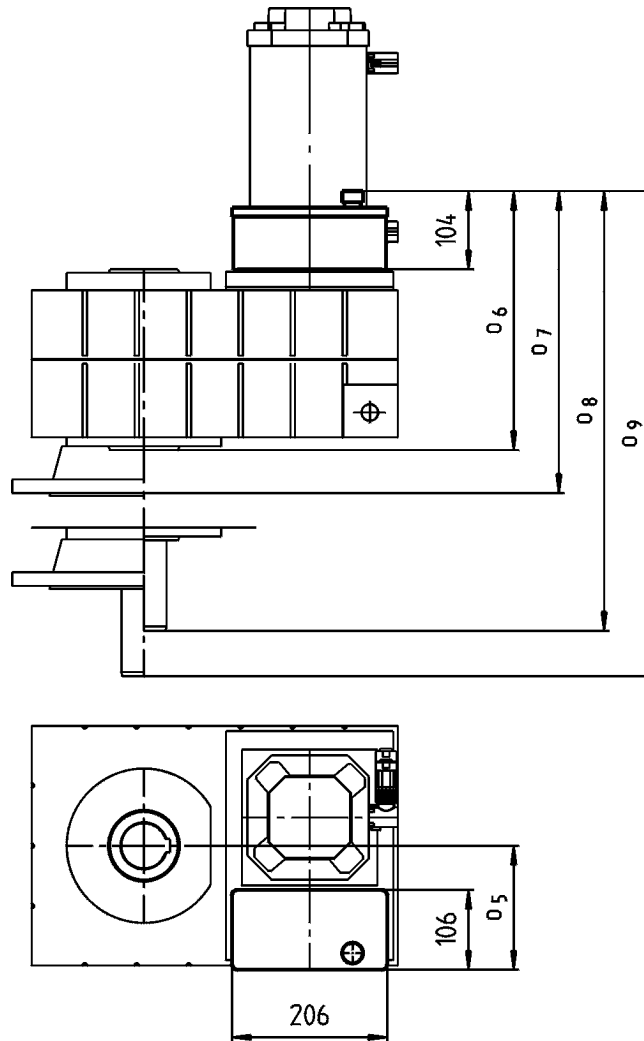


- ⊗ Ventilation/oil filler plug
- Oil drain plug
- ⊖ Oil control plug
- * On both sides
- ** Opposite

Pos.1 standard
 Pos.2 only on GFL07-3A □□□ 14LC□□

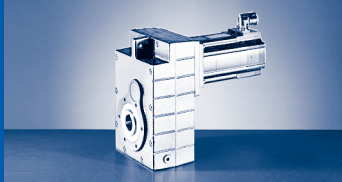


Compensation reservoir for mounting position C



GFL□□-2A...		14LC□□ ¹⁾	17NC□□ ¹⁾	19SC□□ ¹⁾	21XC□□ ¹⁾	GFL□□-2S...		12□C□□	14□C□□	19□C□□	
GFL09...	o ₅	165		187	204	GFL09...	o ₅	165		204	
	o ₆		344				o ₆		344		
	o ₇		405				o ₇		405		
	o ₈		464				o ₈		464		
	o ₉		525				o ₉		525		
GFL11...	o ₅	154		176	200	GFL11...	o ₅	154		200	
	o ₆	387		391			o ₆	387		391	
	o ₇	448		452			o ₇	448		452	
	o ₈	547		551			o ₈	547		551	
	o ₉	608		612			o ₉	608		612	
GFL14...	o ₅			181	211	GFL14...	o ₅			211	
	o ₆			446			o ₆			446	
	o ₇			507			o ₇			507	
	o ₈			646			o ₈			646	
	o ₉			707			o ₉			707	

¹⁾ Connector/terminal box position 3 is not permitted.



GFL [kg]

GFL□□-2S HCR/HDR...RSO B0

	06C C41	06F C41	06I C41	09D C41	09F C38	09H C41	09L C41	12D C20	12D C41	12H C15	12H C30	12H C35	12L C20	12L C41	
GFL04...	9		10	12	13	14	16								
GFL05...	21		22	24		25	27			30				33	
GFL06...	35	36	37	38	39	40	42	41		44				47	
GFL07...				64	65	66	68	67		70				73	
GFL09...								115		118				121	

	14D C15	14D C36	14H C15	14H C32	14L C15	14L C32	14P C14	14P C32	19F C14	19F C30	19J C14	19J C30	19P C14	19P C30	
GFL06...	46		51		56		60								
GFL07...	73		77		82		87		89		96		106		
GFL09...	120		125		129		134		136		143		153		
GFL11...	206		210		215		220		221		228		238		
GFL14...								363		370		380			

GFL□□-3S HCR/HDR...RSO B0

	06C C41	06F C41	06I C41	09D C41	09F C38	09H C41	09L C41	12D C20	12D C41	12H C15	12H C30	12H C35	12L C20	12L C41	
GFL05...	23		24	26	27	28	30								
GFL06...	40		41	43	44	45	47								
GFL07...	69		70	71	72	73	75		78				81		
GFL09...	121		122	123	124	125	127	126		129				133	
GFL11...				217	218	219	221	220		223				226	
GFL14...								377		380				383	

	14D C15	14D C36	14H C15	14H C32	14L C15	14L C32	14P C14	14P C32	19F C14	19F C30	19J C14	19J C30	19P C14	19P C30
GFL07...														
GFL09...	131		136		141		146							
GFL11...	225		230		235		239		242		249		259	
GFL14...	382		387		392		397		399		406		416	

Note additional weights.

Weights in [kg] with oil capacity for mounting position A, all given as approximate values



GFL□□-2A HCR/HDR...RSO B0

	10I C40 ...S00	13I C41 ...S00	13I C34 ...F10	14L C20 ...S00	14L C41 ...S00	14L C16 ...F10	14L C35 ...F10	17N C23 ...S00	17N C41 ...S00
GFL04...	13	17	19						
GFL05...	26	30	32		36		38		
GFL06...	40	44	46		50		52		58
GFL07...	66	70	72		76		78		84
GFL09...					122		124		130
GFL11...					208		209		215
GFL14...									

	17N C17 ...F10	17N C35 ...F10	19S C23 ...S00	19S C42 ...S00	19S C17 ...F10	19S C35 ...F10	21X C25 ...S00	21X C42 ...S00	21X C17 ...F10	21X C35 ...F10
GFL06...	61									
GFL07...	86		107		110		124		127	
GFL09...	133		153		156		171		174	
GFL11...	218		238		241		254		258	
GFL14...			380		384		395		398	

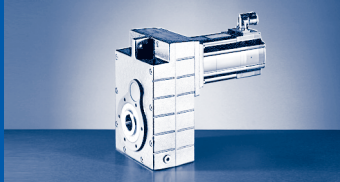
GFL□□-3A HCR/HDR...RSO B0

	10I C40 ...S00	13I C41 ...S00	13I C34 ...F10	14L C20 ...S00	14L C41 ...S00	14L C16 ...F10	14L C35 ...F10	17N C23 ...S00	17N C41 ...S00
GFL05...	27	31	33						
GFL06...	44	48	50						
GFL07...	74	78	80		84		86		
GFL09...	125	129	131		135		137		143
GFL11...	219	223	224		228		230		236
GFL14...					385		387		393

	17N C17 ...F10	17N C35 ...F10	19S C23 ...S00	19S C42 ...S00	19S C17 ...F10	19S C35 ...F10	21X C25 ...S00	21X C42 ...S00	21X C17 ...F10	21X C35 ...F10
GFL09...	146									
GFL11...	239		260		263		277		280	
GFL14...	395		415		419		433		437	

Note additional weights.

Weights in [kg] with oil capacity for mounting position A, all given as approximate values



GFL [kg]

Additional weights MCS servo motors

	06C C41	06F C41	06I C41	09D C41	09F C38	09H C41	09L C41	12D C20	12D C41	12H C15	12H C30	12H C35	12L C20	12L C41
...P1	0.3			0.8			0.9							
...P2				0.5			1.2							
...SCS/SCM/SRM/SRS ...ECN/EQN	0.4			0.2			0.3							

	14D C15	14D C36	14H C15	14H C32	14L C15	14L C32	14P C14	14P C32	19F C14	19F C30	19J C14	19J C30	19P C14	19P C30
...P1	1.9						1.5							
...P2	3.1									4.3				
...SCS/SCM/SRM/SRS ...ECN/EQN							0.3							

Additional weights MCA servo motors

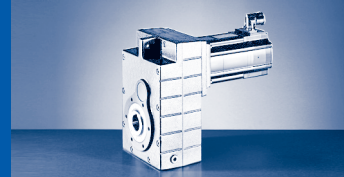
	10I C40 ...S00	13I C41 ...S00	13I C34 ...F10	14L C20 ...S00	14L C41 ...S00	14L C16 ...F10	14L C35 ...F10	17N C23 ...S00	17N C41 ...S00
...P1/P5								2.4	
...P2/P6	0.8	1.4		1.5					
...CDD ...ECN/EQN/EQI ...SCS/SCM/SRM/SRS/S20 ...T20	0.3	0.5		0.6			0.7		

	17N C17 ...F10	17N C35 ...F10	19S C23 ...S00	19S C42 ...S00	19S C17 ...F10	19S C35 ...F10	21X C25 ...S00	21X C42 ...S00	21X C17 ...F10	21X C35 ...F10
...P1/P5	2.4		4.8			5.0				
...P2/P6										
...CDD ...ECN/EQN/EQI ...SCS/SCM/SRM/SRS/S20 ...T20	0.7		1.0			1.1				

Additional weights gearbox

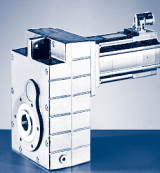
	Solid shaft	2nd output shaft end	Hollow shaft with shrink disc	Flange	Foot
	V□□	V□□	S□□	□□K	□A□/□B□
GFL04...	0.6	0.2	0.6	2.5	1
GFL05...	1	0.3	0.8	4	1.5
GFL06...	2.5	0.8	1	7	2.5
GFL07...	5	1.5	1.5	11	4
GFL09...	8	2.7	3	16	7
GFL11...	16	6.3	5	24	14
GFL14...	33	12	11	33	23

Weights in [kg]



$$\triangleright i_g = z_g / z_t$$

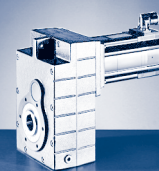
	i	z _g	z _t
GFL04-2	3.659	2415	660
	5.018	2760	550
	5.833	2625	450
	6.422	2967	462
	7.025	3864	550
	8.379	2765	330
	9.333	2800	300
	10.238	3225	315
	11.491	3160	275
	12.800	3200	250
	14.706	3397	231
	16.087	4424	275
	17.920	4480	250
	20.519	4740	231
	22.857	4800	210
	25.136	4977	198
	28.000	5040	180
	31.600	5214	165
	35.200	5280	150
	40.697	5372	132
	45.333	5440	120
	51.579	6241	121
	57.455	6320	110
	64.636	6399	99
72.000	6480	90	
85.156	6557	77	
94.857	6640	70	
GFL05-2	3.333	2100	630
	4.571	2400	525
	5.133	2310	450
	5.667	2380	420
	6.400	3360	525
	7.040	2640	375
	7.771	2720	350
	9.010	2838	315
	9.946	2924	294
	11.360	2840	250
	12.800	2880	225
	14.538	3053	210
	15.904	3976	250
	17.920	4032	225
	20.286	4260	210
	22.857	4320	189
	24.850	4473	180
	28.000	4536	162



GFL [i]

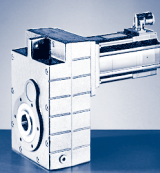
► $i_g = z_g / z_t$

	i	z _g	z _t
GFL05-2	32.344	5822	180
	36.444	5904	162
	40.233	4828	120
	45.333	4896	108
	52.067	6248	120
	58.667	6336	108
	63.190	6319	100
	71.200	6408	90
	80.763	6461	80
	91.000	6552	72
GFL05-3	61.653	258944	4200
	78.639	277440	3528
	90.123	270368	3000
	101.547	274176	2700
	114.952	289680	2520
	129.524	293760	2268
	140.817	304164	2160
	158.667	308448	1944
	177.027	318648	1800
	199.467	323136	1620
	227.989	328304	1440
	256.889	332928	1296
	288.948	381412	1320
	325.576	386784	1188
	362.100	391068	1080
	408.000	396576	972
	477.052	400724	840
	537.524	406368	756
GFL06-2	3.675	2205	600
	5.211	2345	450
	5.750	2415	420
	6.450	2709	375
	7.147	2680	300
	8.400	2520	270
	9.463	2555	294
	10.092	2967	250
	11.520	2880	225
	12.978	2920	210
	14.743	3096	250
	16.128	4032	225
	18.169	4088	210
	20.571	4320	189
	23.175	4380	180
	25.200	4536	162
	28.389	4599	162



$$\triangleright i_g = z_g / z_t$$

	i	z_g	z_t
GFL06-2	32.800	5904	180
	36.951	5986	162
	40.800	4896	120
	45.963	4964	108
	52.800	6336	120
	59.481	6424	108
	64.080	6408	100
	72.189	6497	90
	81.000	6480	80
	91.250	6570	72
GFL06-3	66.213	262800	3969
	72.000	272160	3780
	81.111	275940	3402
	88.200	285768	3240
	99.361	289737	2916
	116.571	293760	2520
	131.323	297840	2268
	144.320	389664	2700
	162.583	395076	2430
	179.520	323136	1800
	202.237	327624	1620
	231.200	332928	1440
	260.457	337552	1296
	293.018	386784	1320
	299.200	430848	1440
	367.200	396576	1080
	413.667	402084	972
	475.200	513216	1080
	535.333	520344	972
	576.720	519048	900
649.700	526257	810	
759.806	531864	700	
855.954	539251	630	
GFL07-2	3.350	2040	609
	4.643	2340	504
	5.159	2244	435
	5.695	2312	406
	6.400	3360	525
	7.150	2574	360
	8.324	2414	290
	9.379	2448	261
	9.714	2856	294
	11.538	2769	240
	13.000	2808	216
	14.200	2982	210



GFL [i]

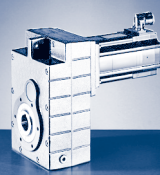
► $i_g = z_g / z_t$

	i	z_g	z_t
GFL07-2	15.904	3976	250
	17.920	4032	225
	20.286	4260	210
	22.857	4320	189
	24.850	4473	180
	28.000	4536	162
	32.344	5822	180
	36.444	5904	162
	39.642	4757	120
	44.667	4824	108
	52.067	6248	120
	58.667	6336	108
	63.190	6319	100
	71.200	6408	90
	79.875	6390	80
	90.000	6480	72
GFL07-3	65.306	259200	3969
	72.452	326032	4500
	81.636	330624	4050
	92.413	349320	3780
	104.127	354240	3402
	113.206	366786	3240
	127.556	371952	2916
	147.347	477404	3240
	166.025	484128	2916
	183.285	395896	2160
	206.519	401472	1944
	224.636	323476	1440
	253.111	328032	1296
	290.706	418616	1440
	327.556	424512	1296
	352.811	423373	1200
	397.533	429336	1080
	430.222	557568	1296
	522.133	563904	1080
	562.391	562391	1000
633.680	570312	900	
718.786	575029	800	
809.900	583128	720	
GFL09-2	6.864	2574	375
	7.466	2613	350
	9.010	2838	315
	9.799	2881	294
	11.167	3752	336
	12.307	2769	225



► $i_g = z_g / z_t$

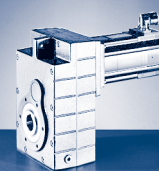
	i	z_g	z_t
GFL09-2	14.333	3010	210
	16.333	3920	240
	18.407	3976	216
	19.667	4130	210
	22.164	4189	189
	24.111	4340	180
	27.173	4402	162
	32.667	5880	180
	36.815	5964	162
	39.667	4760	120
	44.704	4828	108
	51.333	6160	120
	57.852	6248	108
	62.300	6230	100
	70.211	6319	90
	78.750	6300	80
	88.750	6390	72
	GFL09-3	63.326	251340
73.173		329280	4500
82.465		333984	4050
93.333		352800	3780
105.185		357840	3402
114.333		370440	3240
128.852		375732	2916
148.815		482160	3240
167.712		489048	2916
185.111		399840	2160
208.617		405552	1944
224.778		323680	1440
253.321		328304	1296
290.889		418880	1440
327.827		424864	1296
353.033		423640	1200
397.863		429692	1080
424.247		549824	1296
514.881		556072	1080
554.470		554470	1000
624.879	562391	900	
700.875	560700	800	
789.875	568710	720	
GFL11-2	6.864	2574	375
	7.466	2613	350
	9.010	2838	315
	9.799	2881	294
	10.720	3752	350



GFL [i]

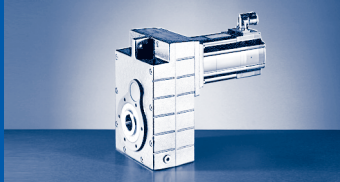
► $i_g = z_g / z_t$

	i	z_g	z_t
GFL11-2	12.480	2808	225
	14.538	3053	210
	15.904	3976	250
	17.920	4032	225
	20.286	4260	210
	22.857	4320	189
	24.850	4473	180
	28.000	4536	162
	32.739	5893	180
	36.889	5976	162
	40.233	4828	120
	45.333	4896	108
	52.067	6248	120
	58.667	6336	108
	63.190	6319	100
	71.200	6408	90
	79.875	6390	80
	90.000	6480	72
	GFL11-3	65.306	259200
73.335		330008	4500
82.631		334656	4050
93.540		353580	3780
105.397		358560	3402
114.586		371259	3240
129.111		376488	2916
149.144		483226	3240
168.049		490032	2916
182.792		394831	2160
205.963		400392	1944
224.636		323476	1440
253.111		328032	1296
267.259		519552	1944
327.556		424512	1296
358.077		429692	1200
403.467		435744	1080
430.222		557568	1296
522.133		563904	1080
562.391		562391	1000
633.680	570312	900	
710.888	568710	800	
801.000	576720	720	
GFL14-2	7.150	2574	360
	7.777	2613	336
	8.800	2772	315
	9.571	2814	294



► $i_g = z_g / z_t$

	i	z_g	z_t
GFL14-2	11.538	2769	240
	13.000	2808	216
	14.200	2982	210
	15.620	3905	250
	17.600	3960	225
	19.948	4189	210
	22.476	4248	189
	24.456	4402	180
	27.556	4464	162
	32.344	5822	180
	36.444	5904	162
	39.642	4757	120
	44.667	4824	108
	52.067	6248	120
	58.667	6336	108
	63.190	6319	100
	71.200	6408	90
	79.875	6390	80
	90.000	6480	72
	GFL14-3	64.296	249984
68.708		259718	3780
77.418		263376	3402
85.037		330624	3888
104.889		356832	3402
114.126		369768	3240
128.593		374976	2916
136.889		354816	2592
156.148		303552	1944
170.074		495936	2916
202.074		392832	1944
224.636		323476	1440
253.111		328032	1296
273.778		532224	1944
332.444		430848	1296
352.811		423373	1200
397.533		429336	1080
430.222		557568	1296
522.133		563904	1080
562.391		562391	1000
633.680	570312	900	
710.888	568710	800	
801.000	576720	720	



GFL [Nm]

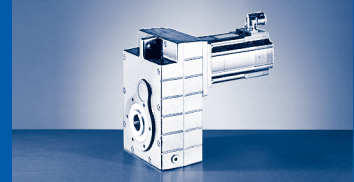
GFL□□-□S (MCS)

$M_{2GN} \leq 187 \text{ Nm}$

GFL04-2S				06CC41	06FC41	06IC41	09DC41	09FC38	09HC41	09LC41
				...500	...500	...500	...500	...500	...500	...500
i	M_{2GN}	J_G	M_1	0.60	1.20	1.50	2.30	3.10	3.80	4.50
			n_1	4050	4050	4050	4050	3750	4050	4050
			I_{M230}	2.6	2.9	3.2	4.6	5.0	6.8	8.4
			I_{M400}	1.3	1.5	1.6	2.3	2.5	3.4	4.2
			P_N	0.25	0.51	0.64	1.00	1.20	1.60	1.90
			J_M	0.17	0.25	0.33	1.13	1.53	1.93	2.83
3.659	100	1.51	M_2						13	15
			c						5.4	4.5
			$n_{2 \text{ Eck}}$						1107	1107
			$n_{2 \text{ th}}$						998	968
5.018	111	0.86	M_2					14	18	21
			c					5.4	4.3	3.7
			$n_{2 \text{ Eck}}$					747	807	807
			$n_{2 \text{ th}}$					747	775	754
5.833	153	0.93	M_2						21	25
			c						5.1	4.3
			$n_{2 \text{ Eck}}$						694	694
			$n_{2 \text{ th}}$						621	603
6.422	113	0.56	M_2				14	19	23	27
			c				5.6	4.3	3.4	2.9
			$n_{2 \text{ Eck}}$				631	584	631	631
			$n_{2 \text{ th}}$				631	584	631	631
7.025	113	0.47	M_2				15	20	25	30
			c				5.2	3.9	3.1	2.6
			$n_{2 \text{ Eck}}$				577	534	577	577
			$n_{2 \text{ th}}$				576	534	576	576
8.379	179	0.67	M_2					24	30	36
			c					5.2	4.2	3.5
			$n_{2 \text{ Eck}}$					448	483	483
			$n_{2 \text{ th}}$					434	416	404
9.333	165	0.61	M_2				20	27	34	40
			c				5.7	4.3	3.4	2.9
			$n_{2 \text{ Eck}}$				434	402	434	434
			$n_{2 \text{ th}}$				395	377	361	349
10.238	159	0.37	M_2				22	30	37	44
			c				5.0	3.8	3.0	2.6
			$n_{2 \text{ Eck}}$				396	366	396	396
			$n_{2 \text{ th}}$				396	366	396	396
11.491	181	0.41	M_2				25	34	41	49
			c				5.1	3.9	3.1	2.6
			$n_{2 \text{ Eck}}$				353	326	353	353
			$n_{2 \text{ th}}$				347	326	319	310
12.800	166	0.38	M_2				28	38	46	55
			c				4.2	3.2	2.5	2.1
			$n_{2 \text{ Eck}}$				316	293	316	316
			$n_{2 \text{ th}}$				302	289	277	269
14.706	182	0.28	M_2				32	43	53	64
			c				4.0	3.0	2.4	2.0
			$n_{2 \text{ Eck}}$				275	255	275	275
			$n_{2 \text{ th}}$				275	255	275	274
16.087	182	0.25	M_2			22	35	48	59	70
			c			5.6	3.6	2.8	2.2	1.9
			$n_{2 \text{ Eck}}$			252	252	233	252	252
			$n_{2 \text{ th}}$			252	252	233	252	252
17.920	167	0.23	M_2		20	25	39	53	66	78
			c		5.8	4.6	3.0	2.3	1.8	1.5
			$n_{2 \text{ Eck}}$		226	226	226	209	226	226
			$n_{2 \text{ th}}$		226	226	226	209	223	205

$M \dots [\text{Nm}]$
 $n \dots [\text{r/min}]$
 $J \dots [\text{kgcm}^2]$

$P \dots [\text{kW}]$
 $I \dots [\text{A}]$
 $i [-]$
 $c [-]$

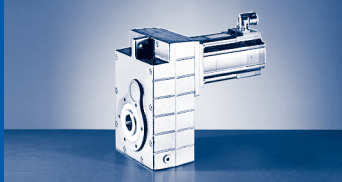


$M_{2GN} \leq 187 \text{ Nm}$

GFL04-2S				06CC41	06FC41	06IC41	09DC41	09FC38	09HC41	09LC41
				...S00	...S00	...S00	...S00	...S00	...S00	...S00
i	M_{2GN}	J_G	M_1	0.60	1.20	1.50	2.30	3.10	3.80	4.50
			n_1	4050	4050	4050	4050	3750	4050	4050
			I_{M230}	2.6	2.9	3.2	4.6	5.0	6.8	8.4
			I_{M400}	1.3	1.5	1.6	2.3	2.5	3.4	4.2
			P_N	0.25	0.51	0.64	1.00	1.20	1.60	1.90
			J_M	0.17	0.25	0.33	1.13	1.53	1.93	2.83
20.519	183	0.17	M_2		23	29	45	61	75	89
			c		5.5	4.4	2.9	2.2	1.7	1.5
			$n_{2 \text{ Eck}}$		197	197	197	183	197	197
			$n_{2 \text{ th}}$		197	197	197	183	197	197
22.857	167	0.16	M_2		26	32	50	68	84	100
			c		4.5	3.6	2.4	1.8	1.4	1.2
			$n_{2 \text{ Eck}}$		177	177	177	164	177	177
			$n_{2 \text{ th}}$		177	177	177	164	177	167
25.136	183	0.13	M_2		28	35	55	75	92	109
			c		5.1	4.1	2.7	2.0	1.6	1.4
			$n_{2 \text{ Eck}}$		161	161	161	149	161	161
			$n_{2 \text{ th}}$		161	161	161	149	161	161
28.000	168	0.12	M_2		32	40	62	84	103	122
			c		4.2	3.4	2.2	1.7	1.3	1.1
			$n_{2 \text{ Eck}}$		145	145	145	134	145	145
			$n_{2 \text{ th}}$		145	145	145	134	145	145
31.600	185	0.09	M_2		36	45				
			c		4.1	3.3				
			$n_{2 \text{ Eck}}$		128	128				
			$n_{2 \text{ th}}$		128	128				
35.200	170	0.08	M_2		40	50				
			c		3.4	2.7				
			$n_{2 \text{ Eck}}$		115	115				
			$n_{2 \text{ th}}$		115	115				
40.697	187	0.06	M_2		46	58				
			c		3.2	2.6				
			$n_{2 \text{ Eck}}$		100	100				
			$n_{2 \text{ th}}$		100	100				
45.333	172	0.06	M_2	25	52	65				
			c	5.3	2.7	2.1				
			$n_{2 \text{ Eck}}$	89	89	89				
			$n_{2 \text{ th}}$	89	89	89				

M ... [Nm]
n ... [r/min]
J ... [kgcm²]

P ... [kW]
I ... [A]
i [-]
c [-]



GFL [Nm]

GFL□□-□S (MCS)

$M_{2GN} \leq 345 \text{ Nm}$

GFL05-2S				06FC41	06IC41	09DC41	09FC38	09HC41	09LC41
				...500	...500	...500	...500	...500	...500
i	M_{2GN}	J_G	M_1						
			n_1	4050	4050	4050	3750	4050	4050
			I_{M230}	2.9	3.2	4.6	5.0	6.8	8.4
			I_{M400}	1.5	1.6	2.3	2.5	3.4	4.2
			P_N	0.51	0.64	1.00	1.20	1.60	1.90
			J_M	0.25	0.33	1.13	1.53	1.93	2.83
3.333	110	1.68	M_2						14
			c						5.4
			n_2 Eck						1215
			n_2 th						920
3.333	150	1.68	M_2						
			c						
			n_2 Eck						
			n_2 th						
4.571	133	2.13	M_2					16	19
			c					5.7	4.8
			n_2 Eck					886	886
			n_2 th					790	766
4.571	170	2.13	M_2						
			c						
			n_2 Eck						
			n_2 th						
5.133	170	2.37	M_2						21
			c						5.4
			n_2 Eck						789
			n_2 th						597
5.133	223	2.37	M_2						
			c						
			n_2 Eck						
			n_2 th						
5.667	187	2.33	M_2						24
			c						5.4
			n_2 Eck						715
			n_2 th						541
5.667	233	2.33	M_2						
			c						
			n_2 Eck						
			n_2 th						
6.400	149	0.82	M_2				18	23	27
			c				5.7	4.5	3.8
			n_2 Eck				586	633	633
			n_2 th				586	612	595
6.400	173	0.82	M_2						
			c						
			n_2 Eck						
			n_2 th						
7.040	205	1.47	M_2					25	30
			c					5.7	4.8
			n_2 Eck					575	575
			n_2 th					513	498
7.040	248	1.47	M_2						
			c						
			n_2 Eck						
			n_2 th						
7.771	226	1.45	M_2					27	33
			c					5.7	4.8
			n_2 Eck					521	521
			n_2 th					465	451

$M \dots$ [Nm]
 $n \dots$ [r/min]
 $J \dots$ [kgcm²]

$P \dots$ [kW]
 $I \dots$ [A]
 i [-]
 c [-]

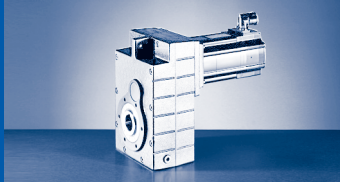


$M_{2GN} \leq 345 \text{ Nm}$

12DC20	12DC41	12HC15	12HC30	12HC35	12LC20	12LC41	GFL05-2S			
...500	...500	...500	...500	...500	...500	...500	M_1	J_G	M_{2GN}	i
5.50	4.30	10.00	8.00	7.50	13.50	11.00	n_1			
1950	4050	1500	3000	3525	1950	4050	I_{M230}			
5.2	8.8	7.6	10.5		11.8		I_{M400}			
2.6	4.5	3.8		5.7	5.9	10.2	P_N			
1.10	1.80	1.60	2.50	2.80	2.80	4.70	J_M			
4.12	4.12	7.42	7.42	7.42	10.72	10.72	M_2 c $n_{2\text{ Eck}}$ $n_{2\text{ th}}$	1.68	110	3.333
		31 4.6 450 450	25 4.6 900 891	23 4.7 1058 893	43 3.2 585 585	35 3.0 1215 819	M_2 c $n_{2\text{ Eck}}$ $n_{2\text{ th}}$	1.68	150	3.333
							M_2 c $n_{2\text{ Eck}}$ $n_{2\text{ th}}$	2.13	133	4.571
		43 3.8 328 328	34 3.8 656 656	32 3.9 771 736	59 2.6 427 427	48 2.5 886 676	M_2 c $n_{2\text{ Eck}}$ $n_{2\text{ th}}$	2.13	170	4.571
							M_2 c $n_{2\text{ Eck}}$ $n_{2\text{ th}}$	2.37	170	5.133
		48 4.5 292 292	38 4.5 584 575	36 4.5 687 576	66 3.0 380 380	54 2.9 789 528	M_2 c $n_{2\text{ Eck}}$ $n_{2\text{ th}}$	2.37	223	5.133
							M_2 c $n_{2\text{ Eck}}$ $n_{2\text{ th}}$	2.33	187	5.667
		53 4.2 265 265	43 4.2 529 515	40 4.2 622 516	73 2.9 344 344	59 2.8 715 473	M_2 c $n_{2\text{ Eck}}$ $n_{2\text{ th}}$	2.33	233	5.667
							M_2 c $n_{2\text{ Eck}}$ $n_{2\text{ th}}$	0.82	149	6.400
33 4.7 305 305	26 4.7 633 614	61 2.8 234 234	49 2.8 469 469	46 2.8 551 551	83 1.9 305 305	68 1.8 633 508	M_2 c $n_{2\text{ Eck}}$ $n_{2\text{ th}}$	0.82	173	6.400
							M_2 c $n_{2\text{ Eck}}$ $n_{2\text{ th}}$	1.47	205	7.040
		66 3.6 213 213	53 3.6 426 426	50 3.6 501 473	91 2.5 277 277	74 2.4 575 434	M_2 c $n_{2\text{ Eck}}$ $n_{2\text{ th}}$	1.47	248	7.040
							M_2 c $n_{2\text{ Eck}}$ $n_{2\text{ th}}$	1.45	226	7.771

M ... [Nm]
n ... [r/min]
J ... [kgcm²]

P ... [kW]
I ... [A]
i [-]
c [-]



GFL [Nm]

GFL□□-□S (MCS)

$M_{2GN} \leq 345 \text{ Nm}$

GFL05-2S				06FC41	06IC41	09DC41	09FC38	09HC41	09LC41
				...500	...500	...500	...500	...500	...500
i	M_{2GN}	J_G	M_1						
			n_1	4050	4050	4050	3750	4050	4050
			I_{M230}	2.9	3.2	4.6	5.0	6.8	8.4
			I_{M400}	1.5	1.6	2.3	2.5	3.4	4.2
			P_N	0.51	0.64	1.00	1.20	1.60	1.90
			J_M	0.25	0.33	1.13	1.53	1.93	2.83
7.771	258	1.45	M_2 c n_2 Eck n_2 th						
9.010	220	0.95	M_2 c n_2 Eck n_2 th				26 6.0 416 416	32 4.8 450 423	38 4.0 450 411
9.010	266	0.95	M_2 c n_2 Eck n_2 th						
9.946	243	0.89	M_2 c n_2 Eck n_2 th				28 6.0 377 377	35 4.8 407 383	42 4.0 407 373
9.946	275	0.89	M_2 c n_2 Eck n_2 th						
11.360	278	1.08	M_2 c n_2 Eck n_2 th					40 4.8 357 308	48 4.0 357 299
12.800	285	1.01	M_2 c n_2 Eck n_2 th				37 5.5 293 280	46 4.3 316 269	54 3.7 316 260
14.538	301	0.75	M_2 c n_2 Eck n_2 th				42 5.1 258 258	52 4.0 279 255	62 3.4 279 248
15.904	310	0.60	M_2 c n_2 Eck n_2 th				46 4.8 236 236	57 3.8 255 239	68 3.2 255 232
17.920	312	0.61	M_2 c n_2 Eck n_2 th			38 5.6 226 226	52 4.3 209 209	64 3.4 226 208	77 2.9 226 202
20.286	333	0.43	M_2 c n_2 Eck n_2 th			43 5.3 200 200	59 4.0 185 185	73 3.2 200 200	87 2.7 200 200
22.857	313	0.43	M_2 c n_2 Eck n_2 th			49 4.4 177 177	67 3.4 164 164	83 2.7 177 177	99 2.3 177 177
24.850	344	0.35	M_2 c n_2 Eck n_2 th			53 5.1 163 163	73 3.9 151 151	90 3.1 163 163	107 2.6 163 163

$M \dots$ [Nm]
 $n \dots$ [r/min]
 $J \dots$ [kgcm²]

$P \dots$ [kW]
 $I \dots$ [A]
 $i \dots$ [-]
 $c \dots$ [-]

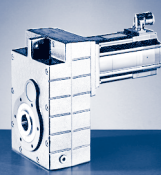


$M_{2GN} \leq 345 \text{ Nm}$

12DC20	12DC41	12HC15	12HC30	12HC35	12LC20	12LC41	GFL05-2S			
...500	...500	...500	...500	...500	...500	...500	M_1	J_G	M_{2GN}	i
5.50	4.30	10.00	8.00	7.50	13.50	11.00	n_1			
1950	4050	1500	3000	3525	1950	4050	I_{M230}			
5.2	8.8	7.6	10.5		11.8		I_{M400}			
2.6	4.5	3.8		5.7	5.9	10.2	P_N			
1.10	1.80	1.60	2.50	2.80	2.80	4.70	J_M			
4.12	4.12	7.42	7.42	7.42	10.72	10.72	M_2			
39	31	74	59	55	100	82	c	1.45	258	7.771
5.7	5.7	3.4	3.4	3.4	2.3	2.2	$n_{2\text{Eck}}$			
251	521	193	386	454	251	521	$n_{2\text{th}}$			
251	466	193	386	424	251	388	M_2			
							c	0.95	220	9.010
							$n_{2\text{Eck}}$			
							$n_{2\text{th}}$			
46	36	86	68	64	117	95	M_2			
5.1	5.1	3.0	3.0	3.1	2.1	2.0	c	0.95	266	9.010
216	450	167	333	391	216	450	$n_{2\text{Eck}}$			
216	428	166	333	391	216	362	$n_{2\text{th}}$			
							M_2			
							c	0.89	243	9.946
							$n_{2\text{Eck}}$			
							$n_{2\text{th}}$			
51	40	95	76	71	129	105	M_2			
4.7	4.8	2.9	2.8	2.9	1.9	1.9	c	0.89	275	9.946
196	407	151	302	354	196	407	$n_{2\text{Eck}}$			
196	383	151	302	350	196	317	$n_{2\text{th}}$			
59	46	108	87	81	148	120	M_2			
4.2	4.2	2.5	2.5	2.5	1.7	1.7	c	1.08	278	11.360
172	357	132	264	310	172	357	$n_{2\text{Eck}}$			
172	301	132	264	273	172	234	$n_{2\text{th}}$			
66	52	123	98	92	167	136	M_2			
3.8	3.8	2.3	2.3	2.3	1.6	1.5	c	1.01	285	12.800
152	316	117	234	275	152	316	$n_{2\text{Eck}}$			
152	263	117	234	237	152	197	$n_{2\text{th}}$			
76	59	139	112	105	190	155	M_2			
3.6	3.6	2.1	2.1	2.1	1.5	1.4	c	0.75	301	14.538
134	279	103	206	243	134	279	$n_{2\text{Eck}}$			
134	250	103	206	227	134	188	$n_{2\text{th}}$			
83	65	153	122	115	208	169	M_2			
3.4	3.4	2.0	2.0	2.0	1.4	1.3	c	0.60	310	15.904
123	255	94	189	222	123	255	$n_{2\text{Eck}}$			
123	234	94	189	213	123	176	$n_{2\text{th}}$			
94	73	172	138	129	234	191	M_2			
3.0	3.0	1.8	1.8	1.8	1.2	1.2	c	0.61	312	17.920
109	226	84	167	197	109	226	$n_{2\text{Eck}}$			
109	204	84	167	180	109	149	$n_{2\text{th}}$			
106	83	195	156	147	265	216	M_2			
2.8	2.8	1.7	1.7	1.7	1.2	1.1	c	0.43	333	20.286
96	200	74	148	174	96	200	$n_{2\text{Eck}}$			
96	200	74	148	174	96	151	$n_{2\text{th}}$			
120	94	221	177	166			M_2			
2.4	2.4	1.4	1.4	1.4			c	0.43	313	22.857
85	177	66	131	154			$n_{2\text{Eck}}$			
85	177	66	131	149			$n_{2\text{th}}$			
130	102	240	192	180	325	265	M_2			
2.6	2.7	1.4	1.6	1.6	1.1	1.1	c	0.35	344	24.850
79	163	60	121	142	79	163	$n_{2\text{Eck}}$			
78	163	60	121	142	78	138	$n_{2\text{th}}$			

M ... [Nm]
n ... [r/min]
J ... [kgcm²]

P ... [kW]
I ... [A]
i [-]
c [-]



GFL [Nm]

GFL□□-□S (MCS)

$M_{2GN} \leq 345 \text{ Nm}$

GFL05-2S				06FC41	06IC41	09DC41	09FC38	09HC41	09LC41
				...500	...500	...500	...500	...500	...500
i	M_{2GN}	J_G	M_1						
			n_1	4050	4050	4050	3750	4050	4050
			I_{M230}	2.9	3.2	4.6	5.0	6.8	8.4
			I_{M400}	1.5	1.6	2.3	2.5	3.4	4.2
			P_N	0.51	0.64	1.00	1.20	1.60	1.90
			J_M	0.25	0.33	1.13	1.53	1.93	2.83
28.000	314	0.33	M_2			60	82	102	121
			c			4.1	3.1	2.5	2.1
			n_2 Eck			145	134	145	145
			n_2 th			145	134	145	145
32.344	296	0.20	M_2		45				
			c		5.1				
			n_2 Eck		125				
			n_2 th		125				
32.344	345	0.20	M_2			70	95	118	140
			c			3.9	3.0	2.4	2.0
			n_2 Eck			125	116	125	125
			n_2 th			125	116	125	125
36.444	316	0.20	M_2		51	80	108	133	158
			c		4.9	3.2	2.4	1.9	1.6
			n_2 Eck		111	111	103	111	111
			n_2 th		111	111	103	111	111
40.233	307	0.15	M_2	45	57				
			c	5.4	4.3				
			n_2 Eck	101	101				
			n_2 th	101	101				
40.233	345	0.15	M_2			88	119	147	175
			c			3.1	2.4	1.9	1.6
			n_2 Eck			101	93	101	101
			n_2 th			101	93	101	101
45.333	319	0.14	M_2	51	64	100	135	166	197
			c	4.9	4.0	2.6	2.0	1.6	1.3
			n_2 Eck	89	89	89	83	89	89
			n_2 th	89	89	89	83	89	89
52.067	309	0.09	M_2	59	74				
			c	4.2	3.3				
			n_2 Eck	78	78				
			n_2 th	78	78				
58.667	322	0.09	M_2	66	84				
			c	3.9	3.1				
			n_2 Eck	69	69				
			n_2 th	69	69				
63.190	282	0.07	M_2	72	91				
			c	3.1	2.5				
			n_2 Eck	64	64				
			n_2 th	64	64				
71.200	305	0.06	M_2	81	102				
			c	3.3	2.7				
			n_2 Eck	57	57				
			n_2 th	57	57				

$M \dots$ [Nm]
 $n \dots$ [r/min]
 $J \dots$ [kgcm²]

$P \dots$ [kW]
 $I \dots$ [A]
 i [-]
 c [-]

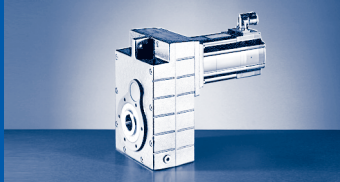


$M_{2GN} \leq 345 \text{ Nm}$

12DC20	12DC41	12HC15	12HC30	12HC35	12LC20	12LC41	GFL05-2S			
...500	...500	...500	...500	...500	...500	...500	M_1	J_G	M_{2GN}	i
5.50	4.30	10.00	8.00	7.50	13.50	11.00	n_1			
1950	4050	1500	3000	3525	1950	4050	I_{M230}			
5.2	8.8	7.6	10.5		11.8		I_{M400}			
2.6	4.5	3.8		5.7	5.9	10.2	P_N			
1.10	1.80	1.60	2.50	2.80	2.80	4.70	J_M			
4.12	4.12	7.42	7.42	7.42	10.72	10.72	M_2			
148	115	271	217	203			c			
2.1	2.2	1.2	1.3	1.3			n_2 Eck	0.33	314	28.000
70	145	54	107	126			n_2 th			
70	145	54	107	126			M_2			
							c			
							n_2 Eck	0.20	296	32.344
							n_2 th			
							M_2			
							c			
							n_2 Eck	0.20	345	32.344
							n_2 th			
							M_2			
							c			
							n_2 Eck	0.20	316	36.444
							n_2 th			
							M_2			
							c			
							n_2 Eck	0.15	307	40.233
							n_2 th			
							M_2			
							c			
							n_2 Eck	0.15	345	40.233
							n_2 th			
							M_2			
							c			
							n_2 Eck	0.14	319	45.333
							n_2 th			
							M_2			
							c			
							n_2 Eck	0.09	309	52.067
							n_2 th			
							M_2			
							c			
							n_2 Eck	0.09	322	58.667
							n_2 th			
							M_2			
							c			
							n_2 Eck	0.07	282	63.190
							n_2 th			
							M_2			
							c			
							n_2 Eck	0.06	305	71.200
							n_2 th			

M ... [Nm]
n ... [r/min]
J ... [kgcm²]

P ... [kW]
I ... [A]
i [-]
c [-]



GFL [Nm]

GFL□□-□S (MCS)

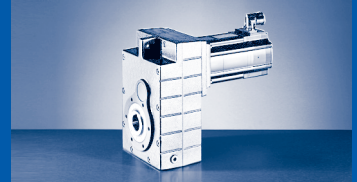
$M_{2GN} \leq 345 \text{ Nm}$

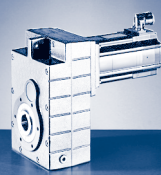
GFL05-3S				06CC41	06FC41	06IC41	09DC41	09FC38
				...500	...500	...500	...500	...500
i	M_{2GN}	J_G	M_1					
			n_1	4050	4050	4050	4050	3750
			I_{M230}	2.6	2.9	3.2	4.6	5.0
			I_{M400}	1.3	1.5	1.6	2.3	2.5
			P_N	0.25	0.51	0.64	1.00	1.20
			J_M	0.17	0.25	0.33	1.13	1.53
61.653	207	0.20	M_2	34	70	88	135	
			c	4.8	2.4	1.9	1.3	
			n_2 Eck	66	66	66	66	
			n_2 th	66	66	66	66	
78.639	225	0.14	M_2	43	89	112	173	
			c	4.5	2.3	1.8	1.2	
			n_2 Eck	52	52	52	52	
			n_2 th	52	52	52	52	
90.123	303	0.20	M_2	49	102	128	197	267
			c	5.3	2.7	2.1	1.4	1.1
			n_2 Eck	45	45	45	45	42
			n_2 th	45	45	45	45	42
101.547	328	0.20	M_2	56	115	144	222	301
			c	5.1	2.6	2.0	1.3	1.0
			n_2 Eck	40	40	40	40	37
			n_2 th	40	40	40	40	37
114.952	329	0.14	M_2	63	130	163	252	
			c	4.5	2.3	1.8	1.2	
			n_2 Eck	35	35	35	35	
			n_2 th	35	35	35	35	
129.524	328	0.14	M_2	72	147	185	285	
			c	4.0	2.0	1.6	1.0	
			n_2 Eck	31	31	31	31	
			n_2 th	31	31	31	31	
140.817	345	0.11	M_2	78	160	201	309	
			c	3.9	1.9	1.6	1.0	
			n_2 Eck	29	29	29	29	
			n_2 th	29	29	29	29	
158.667	328	0.11	M_2	89	181	227		
			c	3.3	1.6	1.3		
			n_2 Eck	26	26	26		
			n_2 th	26	26	26		
177.027	345	0.07	M_2	99	202	253		
			c	3.1	1.5	1.2		
			n_2 Eck	23	23	23		
			n_2 th	23	23	23		
199.467	328	0.07	M_2	112	228	286		
			c	2.6	1.3	1.0		
			n_2 Eck	20	20	20		
			n_2 th	20	20	20		
227.989	345	0.05	M_2	129	261			
			c	2.4	1.2			
			n_2 Eck	18	18			
			n_2 th	18	18			
256.889	328	0.05	M_2	146	295			
			c	2.0	1.0			
			n_2 Eck	16	16			
			n_2 th	16	16			

$M \dots$ [Nm]
 $n \dots$ [r/min]
 $J \dots$ [kgcm²]

$P \dots$ [kW]
 $I \dots$ [A]
 i [-]
 c [-]

GFL [Nm]
GFL□□-□S (MCS)





GFL [Nm]

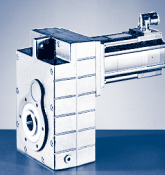
GFL□□-□S (MCS)

$M_{2GN} \leq 657 \text{ Nm}$

GFL06-2S				06FC41	06IC41	09DC41	09FC38	09HC41	09LC41	12DC20	12DC41	12HC15	12HC30
				...500	...500	...500	...500	...500	...500	...500	...500	...500	...500
i	M_{2GN}	J_G	M_1	1.20	1.50	2.30	3.10	3.80	4.50	5.50	4.30	10.00	8.00
			n_1	4050	4050	4050	3750	4050	4050	1950	4050	1500	3000
			I_{M230}	2.9	3.2	4.6	5.0	6.8	8.4	5.2	8.8	7.6	10.5
			I_{M400}	1.5	1.6	2.3	2.5	3.4	4.2	2.6	4.5	3.8	
			P_N	0.51	0.64	1.00	1.20	1.60	1.90	1.10	1.80	1.60	2.50
			J_M	0.25	0.33	1.13	1.53	1.93	2.83	4.12	4.12	7.42	7.42
3.675	205	7.76	M_2									34	27
			c									5.8	5.7
			$n_{2 \text{ Eck}}$									408	816
			$n_{2 \text{ th}}$									408	714
3.675	317	7.76	M_2										
			c										
			$n_{2 \text{ Eck}}$										
			$n_{2 \text{ th}}$										
5.211	291	6.64	M_2									48	38
			c									5.8	5.7
			$n_{2 \text{ Eck}}$									288	576
			$n_{2 \text{ th}}$									288	503
5.211	424	6.64	M_2										
			c										
			$n_{2 \text{ Eck}}$										
			$n_{2 \text{ th}}$										
5.750	321	6.04	M_2									53	42
			c									5.8	5.7
			$n_{2 \text{ Eck}}$									261	522
			$n_{2 \text{ th}}$									261	456
5.750	442	6.04	M_2										
			c										
			$n_{2 \text{ Eck}}$										
			$n_{2 \text{ th}}$										
6.450	195	3.65	M_2					23	27				
			c					5.9	5.0				
			$n_{2 \text{ Eck}}$					628	628				
			$n_{2 \text{ th}}$					548	531				
6.450	252	3.65	M_2									61	49
			c									4.0	4.0
			$n_{2 \text{ Eck}}$									233	465
			$n_{2 \text{ th}}$									233	465
6.450	352	3.65	M_2										
			c										
			$n_{2 \text{ Eck}}$										
			$n_{2 \text{ th}}$										
7.147	333	4.04	M_2									67	53
			c									4.8	4.8
			$n_{2 \text{ Eck}}$									210	420
			$n_{2 \text{ th}}$									210	410
7.147	433	4.04	M_2										
			c										
			$n_{2 \text{ Eck}}$										
			$n_{2 \text{ th}}$										
8.400	469	4.26	M_2									78	62
			c									5.8	5.7
			$n_{2 \text{ Eck}}$									179	357
			$n_{2 \text{ th}}$									179	312
8.400	604	4.26	M_2										
			c										
			$n_{2 \text{ Eck}}$										
			$n_{2 \text{ th}}$										

$M \dots$ [Nm]
 $n \dots$ [r/min]
 $J \dots$ [kgcm²]

$P \dots$ [kW]
 $I \dots$ [A]
 i [-]
 c [-]

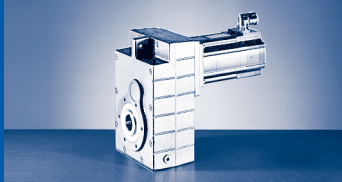


$M_{2GN} \leq 657 \text{ Nm}$

12HC35	12LC20	12LC41	14DC15	14DC36	14HC15	14HC32	14LC15	14LC32	14PC14	14PC32	GFL06-2S			
...500	...500	...500	...500	...500	...500	...500	...500	...500	...500	...500	M_1	J_G	M_{2GN}	i
7.50	13.50	11.00	9.20	7.50	16.00	14.00	23.00	17.20	30.00	21.00	n_1			
3525	1950	4050	1500	3600	1500	3225	1500	3225	1350	3225	I_{M230}			
	11.8										I_{M400}			
5.7	5.9	10.2	4.5	7.5	6.6	11.9	9.7	15.0	10.8	15.6	P_N			
2.80	2.80	4.70	1.45	2.80	2.50	4.70	3.60	5.80	4.20	7.10	J_M			
7.42	10.72	10.72	8.22	8.22	14.32	14.32	23.44	23.44	34.74	34.82	M_2			
25	47	38									c	7.76	205	3.675
5.8	3.9	3.8									$n_{2 \text{ Eck}}$			
959	531	1102									$n_{2 \text{ th}}$			
715	531	656									M_2			
					54	48	80	59	105	73	c	7.76	317	3.675
					5.6	4.9	3.9	4.0	3.0	3.3	$n_{2 \text{ Eck}}$			
					408	878	408	878	367	878	$n_{2 \text{ th}}$			
					408	693	408	665	367	637	M_2			
36	66	54									c	6.64	291	5.211
5.8	3.9	3.8									$n_{2 \text{ Eck}}$			
676	374	777									$n_{2 \text{ th}}$			
505	374	463									M_2			
					77	68	113	84	149	104	c	6.64	424	5.211
					5.2	4.6	3.6	3.8	2.8	3.1	$n_{2 \text{ Eck}}$			
					288	619	288	619	259	619	$n_{2 \text{ th}}$			
					288	483	288	463	259	443	M_2			
40	73	60									c	6.04	321	5.750
5.8	3.9	3.8									$n_{2 \text{ Eck}}$			
613	339	704									$n_{2 \text{ th}}$			
457	339	419									M_2			
					86	75	125	93	165	115	c	6.04	442	5.750
					5.0	4.4	3.4	3.6	2.6	2.9	$n_{2 \text{ Eck}}$			
					261	561	261	561	235	561	$n_{2 \text{ th}}$			
					261	433	261	415	235	397	M_2			
											c	3.65	195	6.450
											$n_{2 \text{ Eck}}$			
											$n_{2 \text{ th}}$			
45	83	68									M_2			
4.1	2.7	2.6									c	3.65	252	6.450
547	302	628									$n_{2 \text{ Eck}}$			
510	302	468									$n_{2 \text{ th}}$			
					45	98	86	142	106	186	M_2			
					5.6	3.5	3.1	2.4	2.5	1.9	c	3.65	352	6.450
					558	233	500	233	500	209	$n_{2 \text{ Eck}}$			
					542	233	484	233	464	209	$n_{2 \text{ th}}$			
50	91	75									M_2			
4.8	3.3	3.1									c	4.04	333	7.147
493	273	567									$n_{2 \text{ Eck}}$			
411	273	377									$n_{2 \text{ th}}$			
					108	95	157	117	206	144	M_2			
					3.9	3.5	2.7	2.8	2.1	2.3	c	4.04	433	7.147
					210	451	210	451	189	451	$n_{2 \text{ Eck}}$			
					210	385	210	369	189	353	$n_{2 \text{ th}}$			
58	107	87									M_2			
5.8	3.9	3.8									c	4.26	469	8.400
420	232	482									$n_{2 \text{ Eck}}$			
313	232	287									$n_{2 \text{ th}}$			
					126	110	183	137	241	168	M_2			
					4.6	4.1	3.2	3.3	2.5	2.7	c	4.26	604	8.400
					179	384	179	384	161	384	$n_{2 \text{ Eck}}$			
					179	292	179	280	161	268	$n_{2 \text{ th}}$			

M ... [Nm]
n ... [r/min]
J ... [kgcm²]

P ... [kW]
I ... [A]
i [-]
c [-]



GFL [Nm]

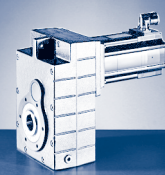
GFL□□-□S (MCS)

$M_{2GN} \leq 657 \text{ Nm}$

GFL06-2S				06FC41	06IC41	09DC41	09FC38	09HC41	09LC41	12DC20	12DC41	12HC15	12HC30
				...500	...500	...500	...500	...500	...500	...500	...500	...500	...500
i	M_{2GN}	J_G	M_1	1.20	1.50	2.30	3.10	3.80	4.50	5.50	4.30	10.00	8.00
			n_1	4050	4050	4050	3750	4050	4050	1950	4050	1500	3000
			I_{M230}	2.9	3.2	4.6	5.0	6.8	8.4	5.2	8.8	7.6	10.5
			I_{M400}	1.5	1.6	2.3	2.5	3.4	4.2	2.6	4.5	3.8	
			P_N	0.51	0.64	1.00	1.20	1.60	1.90	1.10	1.80	1.60	2.50
			J_M	0.25	0.33	1.13	1.53	1.93	2.83	4.12	4.12	7.42	7.42
9.463	529	3.88	M_2									87	70
			c									5.8	5.7
			$n_{2 \text{ Eck}}$									159	317
			$n_{2 \text{ th}}$									159	277
9.463	581	3.88	M_2										
			c										
			$n_{2 \text{ Eck}}$										
			$n_{2 \text{ th}}$										
10.092	306	2.52	M_2					35	42				
			c					5.9	5.0				
			$n_{2 \text{ Eck}}$					401	401				
			$n_{2 \text{ th}}$					350	339				
10.092	395	2.52	M_2									95	76
			c									4.0	4.0
			$n_{2 \text{ Eck}}$									149	297
			$n_{2 \text{ th}}$									149	297
10.092	459	2.52	M_2										
			c										
			$n_{2 \text{ Eck}}$										
			$n_{2 \text{ th}}$										
11.520	536	1.73	M_2									107	86
			c									4.8	4.8
			$n_{2 \text{ Eck}}$									130	260
			$n_{2 \text{ th}}$									130	255
11.520	632	1.73	M_2										
			c										
			$n_{2 \text{ Eck}}$										
			$n_{2 \text{ th}}$										
12.978	592	2.61	M_2									121	97
			c									4.7	4.7
			$n_{2 \text{ Eck}}$									116	231
			$n_{2 \text{ th}}$									116	225
14.743	447	1.95	M_2					52	62				
			c					5.9	5.0				
			$n_{2 \text{ Eck}}$					275	275				
			$n_{2 \text{ th}}$					240	232				
14.743	577	1.95	M_2									139	111
			c									4.0	4.0
			$n_{2 \text{ Eck}}$									102	204
			$n_{2 \text{ th}}$									102	203
14.743	641	1.95	M_2										
			c										
			$n_{2 \text{ Eck}}$										
			$n_{2 \text{ th}}$										
16.128	467	1.68	M_2					57	68				
			c					5.6	4.8				
			$n_{2 \text{ Eck}}$					251	251				
			$n_{2 \text{ th}}$					224	217				
16.128	603	1.68	M_2									152	122
			c									3.9	3.8
			$n_{2 \text{ Eck}}$									93	186
			$n_{2 \text{ th}}$									93	186

$M \dots$ [Nm]
 $n \dots$ [r/min]
 $J \dots$ [kgcm²]

$P \dots$ [kW]
 $I \dots$ [A]
 $i \dots$ [-]
 $c \dots$ [-]

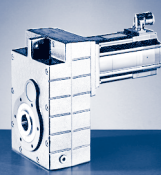


$M_{2GN} \leq 657 \text{ Nm}$

12HC35	12LC20	12LC41	14DC15	14DC36	14HC15	14HC32	14LC15	14LC32	14PC14	14PC32	GFL06-2S			
...S00	...S00	...S00	...S00	...S00	...S00	...S00	...S00	...S00	...S00	...S00	M_1	J_G	M_{2GN}	i
7.50	13.50	11.00	9.20	7.50	16.00	14.00	23.00	17.20	30.00	21.00	n_1			
3525	1950	4050	1500	3600	1500	3225	1500	3225	1350	3225	I_{M230}			
	11.8										I_{M400}			
5.7	5.9	10.2	4.5	7.5	6.6	11.9	9.7	15.0	10.8	15.6	P_N			
2.80	2.80	4.70	1.45	2.80	2.50	4.70	3.60	5.80	4.20	7.10	J_M			
7.42	10.72	10.72	8.22	8.22	14.32	14.32	23.44	23.44	34.74	34.82	M_2			
65	120	98									c	3.88	529	9.463
5.8	3.9	3.8									$n_{2 \text{ Eck}}$			
373	206	428									$n_{2 \text{ th}}$			
278	206	255												
					142	125	207	155	272	190	M_2			
					4.0	3.5	2.8	2.9	2.1	2.3	c	3.88	581	9.463
					159	341	159	341	143	341	$n_{2 \text{ Eck}}$			
					159	251	159	240	143	229	$n_{2 \text{ th}}$			
											M_2			
											c	2.52	306	10.092
											$n_{2 \text{ Eck}}$			
											$n_{2 \text{ th}}$			
71	130	106									M_2			
4.1	2.7	2.6									c	2.52	395	10.092
349	193	401									$n_{2 \text{ Eck}}$			
326	193	299									$n_{2 \text{ th}}$			
			86	71	154	135	223	166	292	204	M_2			
			5.1	4.7	2.9	2.6	2.0	2.1	1.6	1.7	c	2.52	459	10.092
			149	357	149	320	149	320	134	320	$n_{2 \text{ Eck}}$			
			149	335	149	298	149	285	134	259	$n_{2 \text{ th}}$			
81	147	120									M_2			
4.8	3.3	3.1									c	1.73	536	11.520
306	169	352									$n_{2 \text{ Eck}}$			
255	169	234									$n_{2 \text{ th}}$			
				80	174	153	253	189	332	232	M_2			
				5.6	3.5	3.1	2.5	2.6	1.9	2.1	c	1.73	632	11.520
				313	130	280	130	280	117	280	$n_{2 \text{ Eck}}$			
				263	130	234	130	224	117	214	$n_{2 \text{ th}}$			
91	166	136	111	91	197	173	286	214	376	262	M_2			
4.7	3.2	3.1	5.1	4.7	2.9	2.6	2.0	2.1	1.6	1.7	c	2.61	592	12.978
272	150	312	116	277	116	249	116	249	104	249	$n_{2 \text{ Eck}}$			
226	150	207	116	225	116	199	116	190	104	174	$n_{2 \text{ th}}$			
											M_2			
											c	1.95	447	14.743
											$n_{2 \text{ Eck}}$			
											$n_{2 \text{ th}}$			
104	190	155									M_2			
4.1	2.7	2.6									c	1.95	577	14.743
239	132	275									$n_{2 \text{ Eck}}$			
223	132	205									$n_{2 \text{ th}}$			
			126	103	225	197	326	243	427	298	M_2			
			4.9	4.5	2.8	2.5	2.0	2.0	1.5	1.7	c	1.95	641	14.743
			102	244	102	219	102	219	92	219	$n_{2 \text{ Eck}}$			
			102	227	102	202	102	193	92	173	$n_{2 \text{ th}}$			
											M_2			
											c	1.68	467	16.128
											$n_{2 \text{ Eck}}$			
											$n_{2 \text{ th}}$			
114	208	169									M_2			
3.9	2.6	2.5									c	1.68	603	16.128
219	121	251									$n_{2 \text{ Eck}}$			
209	121	192									$n_{2 \text{ th}}$			

$M \dots$ [Nm]
 $n \dots$ [r/min]
 $J \dots$ [kgcm²]

$P \dots$ [kW]
 $I \dots$ [A]
 $i \dots$ [-]
 $c \dots$ [-]



GFL [Nm]

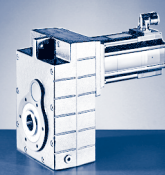
GFL□□-□S (MCS)

$M_{2GN} \leq 657 \text{ Nm}$

GFL06-2S				06FC41	06IC41	09DC41	09FC38	09HC41	09LC41	12DC20	12DC41	12HC15	12HC30
				...500	...500	...500	...500	...500	...500	...500	...500	...500	...500
i	M_{2GN}	J_G	M_1	1.20	1.50	2.30	3.10	3.80	4.50	5.50	4.30	10.00	8.00
			n_1	4050	4050	4050	3750	4050	4050	1950	4050	1500	3000
			I_{M230}	2.9	3.2	4.6	5.0	6.8	8.4	5.2	8.8	7.6	10.5
			I_{M400}	1.5	1.6	2.3	2.5	3.4	4.2	2.6	4.5	3.8	
			P_N	0.51	0.64	1.00	1.20	1.60	1.90	1.10	1.80	1.60	2.50
			J_M	0.25	0.33	1.13	1.53	1.93	2.83	4.12	4.12	7.42	7.42
16.128	643	1.68	M_2										
			c										
			n_2 Eck					64	76				
			n_2 th					5.6	4.8				
18.169	526	1.57	M_2					223	223				
			c					199	193				
			n_2 Eck							92	72	172	138
			n_2 th							5.7	5.7	3.4	3.4
18.169	600	1.57	M_2							107	223	83	165
			c							107	199	83	165
			n_2 Eck				59	73	87				
			n_2 th				6.0	4.8	4.0				
20.571	501	1.19	M_2				182	197	197				
			c				182	187	182				
			n_2 Eck							105	82	195	156
			n_2 th							5.4	5.4	3.2	3.2
20.571	645	1.19	M_2							95	197	73	146
			c							95	191	73	146
			n_2 Eck				66	82	98				
			n_2 th				6.0	4.8	4.0				
23.175	565	1.13	M_2				162	175	175				
			c				162	166	161				
			n_2 Eck							119	93	221	177
			n_2 th							4.5	4.5	2.7	2.7
23.175	604	1.13	M_2							84	175	65	130
			c							84	164	65	129
			n_2 Eck				72	89	107				
			n_2 th				5.8	4.6	3.9				
25.200	527	0.90	M_2				149	161	161				
			c				149	161	161				
			n_2 Eck							129	101	240	192
			n_2 th							4.8	5.1	2.7	3.0
25.200	651	0.90	M_2							77	161	60	119
			c							77	161	60	119
			n_2 Eck				81	101	120				
			n_2 th				5.8	4.6	3.9				
28.389	594	0.86	M_2				132	143	143				
			c				132	143	143				
			n_2 Eck							147	115	272	217
			n_2 th							4.0	4.2	2.2	2.5
28.389	607	0.86	M_2							69	143	53	106
			c							69	143	53	106
			n_2 Eck				95	118	140				
			n_2 th				4.7	3.7	3.1				
32.800	550	0.58	M_2				114	124	124				
			c				114	123	123				
			n_2 Eck							170	133	315	251
			n_2 th							3.7	3.8	2.0	2.3
32.800	641	0.58	M_2							60	124	46	92
			c							59	123	46	91
			n_2 Eck										
			n_2 th										

$M \dots$ [Nm]
 $n \dots$ [r/min]
 $J \dots$ [kgcm²]

$P \dots$ [kW]
 $I \dots$ [A]
 $i \dots$ [-]
 $c \dots$ [-]

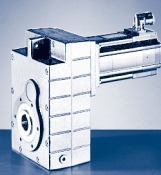


$M_{2GN} \leq 657 \text{ Nm}$

12HC35	12LC20	12LC41	14DC15	14DC36	14HC15	14HC32	14LC15	14LC32	14PC14	14PC32	GFL06-2S			
...S00	...S00	...S00	...S00	...S00	...S00	...S00	...S00	...S00	...S00	...S00	M_1	J_G	M_{2GN}	i
7.50	13.50	11.00	9.20	7.50	16.00	14.00	23.00	17.20	30.00	21.00	n_1			
3525	1950	4050	1500	3600	1500	3225	1500	3225	1350	3225	l_{M230}			
	11.8										l_{M400}			
5.7	5.9	10.2	4.5	7.5	6.6	11.9	9.7	15.0	10.8	15.6	P_N			
2.80	2.80	4.70	1.45	2.80	2.50	4.70	3.60	5.80	4.20	7.10	J_M			
7.42	10.72	10.72	8.22	8.22	14.32	14.32	23.44	23.44	34.74	34.82	M_2			
			139	114	246	216	357	267	468	327	c	1.68	643	16.128
			4.5	4.1	2.6	2.3	1.8	1.9	1.4	1.5	$n_{2 \text{ Eck}}$			
			93	223	93	200	93	200	84	200	$n_{2 \text{ th}}$			
			93	211	93	188	93	176	84	157	M_2			
											c	1.57	526	18.169
											$n_{2 \text{ Eck}}$			
											$n_{2 \text{ th}}$			
129	235	191	158	129	279	245	403	302	528	369	M_2			
3.4	2.3	2.2	3.7	3.4	2.1	1.9	1.5	1.5	1.1	1.3	c	1.57	600	18.169
194	107	223	83	198	83	178	83	178	74	178	$n_{2 \text{ Eck}}$			
181	107	166	83	181	83	158	83	141	74	127	$n_{2 \text{ th}}$			
											M_2			
											c	1.19	501	20.571
											$n_{2 \text{ Eck}}$			
											$n_{2 \text{ th}}$			
146	266	217	179	146	316	277	457	342	598	418	M_2			
3.2	2.2	2.1	3.5	3.2	2.0	1.8	1.4	1.5	1.1	1.2	c	1.19	645	20.571
171	95	197	73	175	73	157	73	157	66	157	$n_{2 \text{ Eck}}$			
171	95	162	73	175	73	152	73	138	66	126	$n_{2 \text{ th}}$			
											M_2			
											c	1.13	565	23.175
											$n_{2 \text{ Eck}}$			
											$n_{2 \text{ th}}$			
166	301	245	203	166	357	313	516	386			M_2			
2.7	1.8	1.8	2.9	2.7	1.7	1.5	1.2	1.2			c	1.13	604	23.175
152	84	175	65	155	65	139	65	139			$n_{2 \text{ Eck}}$			
150	84	134	65	150	65	123	65	113			$n_{2 \text{ th}}$			
											M_2			
											c	0.90	527	25.200
											$n_{2 \text{ Eck}}$			
											$n_{2 \text{ th}}$			
180	327	266	221	180	389	340	561	419		513	M_2			
3.0	2.0	2.0	2.9	3.0	1.7	1.7	1.2	1.4		1.1	c	0.90	651	25.200
140	77	161	60	143	60	128	60	128		128	$n_{2 \text{ Eck}}$			
140	77	154	60	142	60	128	60	127		115	$n_{2 \text{ th}}$			
											M_2			
											c	0.86	594	28.389
											$n_{2 \text{ Eck}}$			
											$n_{2 \text{ th}}$			
203	369	301	250	203	439	384		473			M_2			
2.5	1.6	1.6	2.4	2.5	1.4	1.4		1.1			c	0.86	607	28.389
124	69	143	53	127	53	114		114			$n_{2 \text{ Eck}}$			
124	69	123	53	126	53	113		103			$n_{2 \text{ th}}$			
											M_2			
											c	0.58	550	32.800
											$n_{2 \text{ Eck}}$			
											$n_{2 \text{ th}}$			
235	427	348									M_2			
2.3	1.5	1.5									c	0.58	641	32.800
108	60	124									$n_{2 \text{ Eck}}$			
107	59	119									$n_{2 \text{ th}}$			

$M \dots$ [Nm]
 $n \dots$ [r/min]
 $J \dots$ [kgcm²]

$P \dots$ [kW]
 $I \dots$ [A]
 $i \dots$ [-]
 $c \dots$ [-]



GFL [Nm]

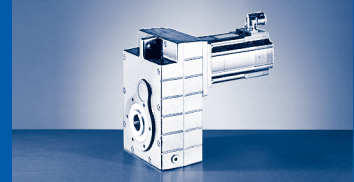
GFL□□-□S (MCS)

$M_{2GN} \leq 657 \text{ Nm}$

GFL06-2S				06FC41	06IC41	09DC41	09FC38	09HC41	09LC41	12DC20	12DC41	12HC15	12HC30
				...500	...500	...500	...500	...500	...500	...500	...500	...500	...500
i	M_{2GN}	J_G	M_1	1.20	1.50	2.30	3.10	3.80	4.50	5.50	4.30	10.00	8.00
			n_1	4050	4050	4050	3750	4050	4050	1950	4050	1500	3000
			I_{M230}	2.9	3.2	4.6	5.0	6.8	8.4	5.2	8.8	7.6	10.5
			I_{M400}	1.5	1.6	2.3	2.5	3.4	4.2	2.6	4.5	3.8	
			P_N	0.51	0.64	1.00	1.20	1.60	1.90	1.10	1.80	1.60	2.50
			J_M	0.25	0.33	1.13	1.53	1.93	2.83	4.12	4.12	7.42	7.42
36.951	611	0.56	M_2				107	132	158	193	151	356	284
			c			4.6	3.7	3.1	3.1	3.2	1.7	1.9	
			$n_{2 \text{ Eck}}$			102	110	110	53	110	41	81	
			$n_{2 \text{ th}}$			101	110	110	53	110	41	81	
40.800	386	0.43	M_2		57								
			c		5.3								
			$n_{2 \text{ Eck}}$		99								
			$n_{2 \text{ th}}$		99								
40.800	571	0.43	M_2			87	119	147	175				
			c			5.1	3.9	3.1	2.6				
			$n_{2 \text{ Eck}}$			99	92	99	99				
			$n_{2 \text{ th}}$			99	92	99	99				
40.800	657	0.43	M_2							213	166	393	314
			c							3.0	3.2	1.7	1.9
			$n_{2 \text{ Eck}}$							48	99	37	74
			$n_{2 \text{ th}}$							48	99	37	74
45.963	435	0.41	M_2		64								
			c		5.3								
			$n_{2 \text{ Eck}}$		88								
			$n_{2 \text{ th}}$		88								
45.963	613	0.41	M_2			98	134	166	198	241	189	444	355
			c			4.9	3.7	3.0	2.5	2.5	2.6	1.4	1.6
			$n_{2 \text{ Eck}}$			88	82	88	88	42	88	33	65
			$n_{2 \text{ th}}$			88	82	88	88	42	88	33	65
52.800	400	0.26	M_2	59	74								
			c	5.3	4.3								
			$n_{2 \text{ Eck}}$	77	77								
			$n_{2 \text{ th}}$	77	77								
52.800	592	0.26	M_2			114	155	192	228				
			c			4.1	3.1	2.5	2.1				
			$n_{2 \text{ Eck}}$			77	71	77	77				
			$n_{2 \text{ th}}$			77	71	77	77				
59.481	451	0.25	M_2	66	84								
			c	5.3	4.3								
			$n_{2 \text{ Eck}}$	68	68								
			$n_{2 \text{ th}}$	68	68								
59.481	615	0.25	M_2			129	175	216	257				
			c			3.8	2.9	2.3	1.9				
			$n_{2 \text{ Eck}}$			68	63	68	68				
			$n_{2 \text{ th}}$			68	63	68	68				
64.080	405	0.19	M_2	72	91								
			c	4.4	3.5								
			$n_{2 \text{ Eck}}$	63	63								
			$n_{2 \text{ th}}$	63	63								
64.080	576	0.19	M_2			140	190	234	278				
			c			3.3	2.5	2.0	1.7				
			$n_{2 \text{ Eck}}$			63	59	63	63				
			$n_{2 \text{ th}}$			63	59	63	63				
72.189	456	0.19	M_2	81	102								
			c	4.9	3.9								
			$n_{2 \text{ Eck}}$	56	56								
			$n_{2 \text{ th}}$	56	56								

$M \dots$ [Nm]
 $n \dots$ [r/min]
 $J \dots$ [kgcm²]

$P \dots$ [kW]
 $I \dots$ [A]
 $i \dots$ [-]
 $c \dots$ [-]

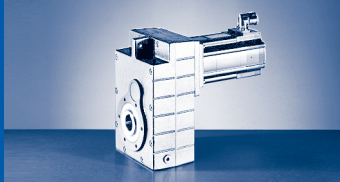


$M_{2GN} \leq 657 \text{ Nm}$

12HC35	12LC20	12LC41	14DC15	14DC36	14HC15	14HC32	14LC15	14LC32	14PC14	14PC32	GFL06-2S			
...S00	...S00	...S00	...S00	...S00	...S00	...S00	...S00	...S00	...S00	...S00	M_1	J_G	M_{2GN}	i
7.50	13.50	11.00	9.20	7.50	16.00	14.00	23.00	17.20	30.00	21.00	n_1			
3525	1950	4050	1500	3600	1500	3225	1500	3225	1350	3225	I_{M230}			
	11.8										I_{M400}			
5.7	5.9	10.2	4.5	7.5	6.6	11.9	9.7	15.0	10.8	15.6	P_N			
2.80	2.80	4.70	1.45	2.80	2.50	4.70	3.60	5.80	4.20	7.10	J_M			
7.42	10.72	10.72	8.22	8.22	14.32	14.32	23.44	23.44	34.74	34.82	M_2			
266	483	393									c	0.56	611	36.951
1.9	1.3	1.3									$n_{2 \text{ Eck}}$			
95	53	110									$n_{2 \text{ th}}$			
95	53	99									M_2			
											c	0.43	386	40.800
											$n_{2 \text{ Eck}}$			
											$n_{2 \text{ th}}$			
											M_2			
											c	0.43	571	40.800
											$n_{2 \text{ Eck}}$			
											$n_{2 \text{ th}}$			
294	533	434									M_2			
1.9	1.2	1.2									c	0.43	657	40.800
86	48	99									$n_{2 \text{ Eck}}$			
86	48	99									$n_{2 \text{ th}}$			
											M_2			
											c	0.41	435	45.963
											$n_{2 \text{ Eck}}$			
											$n_{2 \text{ th}}$			
333	602	490									M_2			
1.6	1.0	1.0									c	0.41	613	45.963
77	42	88									$n_{2 \text{ Eck}}$			
77	42	86									$n_{2 \text{ th}}$			
											M_2			
											c	0.26	400	52.800
											$n_{2 \text{ Eck}}$			
											$n_{2 \text{ th}}$			
											M_2			
											c	0.26	592	52.800
											$n_{2 \text{ Eck}}$			
											$n_{2 \text{ th}}$			
											M_2			
											c	0.25	451	59.481
											$n_{2 \text{ Eck}}$			
											$n_{2 \text{ th}}$			
											M_2			
											c	0.25	615	59.481
											$n_{2 \text{ Eck}}$			
											$n_{2 \text{ th}}$			
											M_2			
											c	0.19	405	64.080
											$n_{2 \text{ Eck}}$			
											$n_{2 \text{ th}}$			
											M_2			
											c	0.19	576	64.080
											$n_{2 \text{ Eck}}$			
											$n_{2 \text{ th}}$			
											M_2			
											c	0.19	456	72.189
											$n_{2 \text{ Eck}}$			
											$n_{2 \text{ th}}$			

M ... [Nm]
n ... [r/min]
J ... [kgcm²]

P ... [kW]
I ... [A]
i [-]
c [-]



GFL [Nm]

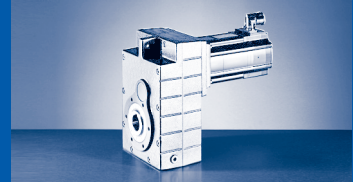
GFL□□-□S (MCS)

$M_{2GN} \leq 657 \text{ Nm}$

GFL06-2S				06FC41	06IC41	09DC41	09FC38	09HC41	09LC41	12DC20	12DC41	12HC15	12HC30
				...500	...500	...500	...500	...500	...500	...500	...500	...500	...500
i	M_{2GN}	J_G	M_1	1.20	1.50	2.30	3.10	3.80	4.50	5.50	4.30	10.00	8.00
			n_1	4050	4050	4050	3750	4050	4050	1950	4050	1500	3000
			I_{M230}	2.9	3.2	4.6	5.0	6.8	8.4	5.2	8.8	7.6	10.5
			I_{M400}	1.5	1.6	2.3	2.5	3.4	4.2	2.6	4.5	3.8	
			P_N	0.51	0.64	1.00	1.20	1.60	1.90	1.10	1.80	1.60	2.50
			J_M	0.25	0.33	1.13	1.53	1.93	2.83	4.12	4.12	7.42	7.42
72.189	616	0.19	M_2			157	213	263	313				
			c			3.5	2.6	2.1	1.8				
			$n_{2 \text{ Eck}}$			56	52	56	56				
			$n_{2 \text{ th}}$			56	52	56	56				
81.000	400	0.13	M_2	92	115								
			c	3.8	3.1								
			$n_{2 \text{ Eck}}$	50	50								
			$n_{2 \text{ th}}$	50	50								
91.250	451	0.12	M_2	103	130								
			c	3.8	3.1								
			$n_{2 \text{ Eck}}$	44	44								
			$n_{2 \text{ th}}$	44	44								

$M \dots$ [Nm]
 $n \dots$ [r/min]
 $J \dots$ [kgcm²]

$P \dots$ [kW]
 $I \dots$ [A]
 i [-]
 c [-]

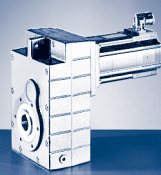


$M_{2GN} \leq 657 \text{ Nm}$

12HC35	12LC20	12LC41	14DC15	14DC36	14HC15	14HC32	14LC15	14LC32	14PC14	14PC32	GFL06-2S			
...S00	...S00	...S00	...S00	...S00	...S00	...S00	...S00	...S00	...S00	...S00	M_1	J_G	M_{2GN}	i
7.50	13.50	11.00	9.20	7.50	16.00	14.00	23.00	17.20	30.00	21.00	n_1			
3525	1950	4050	1500	3600	1500	3225	1500	3225	1350	3225	I_{M230}			
	11.8										I_{M400}			
5.7	5.9	10.2	4.5	7.5	6.6	11.9	9.7	15.0	10.8	15.6	P_N			
2.80	2.80	4.70	1.45	2.80	2.50	4.70	3.60	5.80	4.20	7.10	J_M			
7.42	10.72	10.72	8.22	8.22	14.32	14.32	23.44	23.44	34.74	34.82	M_2			
											c			
											$n_{2 \text{ Eck}}$	0.19	616	72.189
											$n_{2 \text{ th}}$			
											M_2			
											c			
											$n_{2 \text{ Eck}}$	0.13	400	81.000
											$n_{2 \text{ th}}$			
											M_2			
											c			
											$n_{2 \text{ Eck}}$	0.12	451	91.250
											$n_{2 \text{ th}}$			

M ... [Nm]
n ... [r/min]
J ... [kgcm²]

P ... [kW]
I ... [A]
i [-]
c [-]



GFL [Nm]

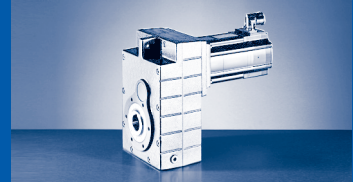
GFL□□-□S (MCS)

$M_{2GN} \leq 634 \text{ Nm}$

GFL06-3S				06CC41	06FC41	06IC41	09DC41	09FC38	09HC41	09LC41
				...500	...500	...500	...500	...500	...500	...500
i	M_{2GN}	J_G	M_1	0.60	1.20	1.50	2.30	3.10	3.80	4.50
			n_1	4050	4050	4050	4050	3750	4050	4050
			I_{M230}	2.6	2.9	3.2	4.6	5.0	6.8	8.4
			I_{M400}	1.3	1.5	1.6	2.3	2.5	3.4	4.2
			P_N	0.25	0.51	0.64	1.00	1.20	1.60	1.90
			J_M	0.17	0.25	0.33	1.13	1.53	1.93	2.83
66.213	497	0.29	M_2		72	91	142	193	238	283
			c		5.9	4.7	3.1	2.4	1.9	1.6
			$n_{2 \text{ Eck}}$		61	61	61	57	61	61
			$n_{2 \text{ th}}$		61	61	61	57	61	61
72.000	497	0.26	M_2		79	100	155	211	260	308
			c		5.4	4.4	2.8	2.2	1.7	1.5
			$n_{2 \text{ Eck}}$		56	56	56	52	56	56
			$n_{2 \text{ th}}$		56	56	56	52	56	56
81.111	497	0.26	M_2		89	113	175	238	293	348
			c		4.8	3.9	2.5	1.9	1.5	1.3
			$n_{2 \text{ Eck}}$		50	50	50	46	50	50
			$n_{2 \text{ th}}$		50	50	50	46	50	50
88.200	488	0.19	M_2		98	123	191	259	319	379
			c		4.4	3.5	2.3	1.7	1.4	1.2
			$n_{2 \text{ Eck}}$		46	46	46	43	46	46
			$n_{2 \text{ th}}$		46	46	46	43	46	46
99.361	550	0.19	M_2		110	139	215	292	359	427
			c		4.4	3.5	2.3	1.7	1.4	1.2
			$n_{2 \text{ Eck}}$		41	41	41	38	41	41
			$n_{2 \text{ th}}$		41	41	41	38	41	41
116.571	528	0.09	M_2		130	164				
			c		3.6	2.9				
			$n_{2 \text{ Eck}}$		35	35				
			$n_{2 \text{ th}}$		35	35				
131.323	595	0.21	M_2		147	185	286	387	476	
			c		3.6	2.9	1.9	1.4	1.1	
			$n_{2 \text{ Eck}}$		31	31	31	29	31	
			$n_{2 \text{ th}}$		31	31	31	29	31	
144.320	560	0.11	M_2		162	204				
			c		3.1	2.5				
			$n_{2 \text{ Eck}}$		28	28				
			$n_{2 \text{ th}}$		28	28				
162.583	613	0.11	M_2	88	183	230				
			c	6.0	3.0	2.4				
			$n_{2 \text{ Eck}}$	25	25	25				
			$n_{2 \text{ th}}$	25	25	25				
179.520	605	0.10	M_2	98	202	254				
			c	5.3	2.7	2.1				
			$n_{2 \text{ Eck}}$	23	23	23				
			$n_{2 \text{ th}}$	23	23	23				
202.237	611	0.10	M_2	111	229	287				
			c	4.8	2.4	1.9				
			$n_{2 \text{ Eck}}$	20	20	20				
			$n_{2 \text{ th}}$	20	20	20				
231.200	634	0.07	M_2	128	262	329				
			c	4.3	2.2	1.7				
			$n_{2 \text{ Eck}}$	18	18	18				
			$n_{2 \text{ th}}$	18	18	18				
260.457	613	0.07	M_2	145	296	371				
			c	3.7	1.9	1.5				
			$n_{2 \text{ Eck}}$	16	16	16				
			$n_{2 \text{ th}}$	16	16	16				

$M \dots$ [Nm]
 $n \dots$ [r/min]
 $J \dots$ [kgcm²]

$P \dots$ [kW]
 $I \dots$ [A]
 i [-]
 c [-]

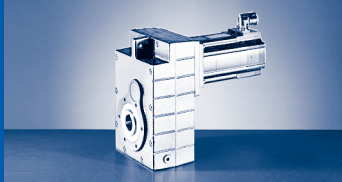


$M_{2GN} \leq 634 \text{ Nm}$

GFL06-3S				06CC41	06FC41	06IC41	09DC41	09FC38	09HC41	09LC41
				...S00	...S00	...S00	...S00	...S00	...S00	...S00
i	M_{2GN}	J_G	M_1	0.60	1.20	1.50	2.30	3.10	3.80	4.50
			n_1	4050	4050	4050	4050	3750	4050	4050
			I_{M230}	2.6	2.9	3.2	4.6	5.0	6.8	8.4
			I_{M400}	1.3	1.5	1.6	2.3	2.5	3.4	4.2
			P_N	0.25	0.51	0.64	1.00	1.20	1.60	1.90
			J_M	0.17	0.25	0.33	1.13	1.53	1.93	2.83
			M_2	168	341	428				
299.200	613	0.06	c	3.2	1.6	1.3				
			$n_{2 \text{ Eck}}$	14	14	14				
			$n_{2 \text{ th}}$	14	14	14				

M ... [Nm]
n ... [r/min]
J ... [kgcm²]

P ... [kW]
I ... [A]
i [-]
c [-]



GFL [Nm]

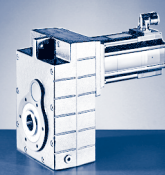
GFL□□-□S (MCS)

$M_{2GN} \leq 1378 \text{ Nm}$

GFL07-2S				09DC41	09FC38	09HC41	09LC41	12DC20	12DC41	12HC15	12HC30	12HC35	12LC20	12LC41	14DC15	
				...500	...500	...500	...500	...500	...500	...500	...500	...500	...500	...500	...500	
i	M_{2GN}	J_G	M_1	2.30	3.10	3.80	4.50	5.50	4.30	10.00	8.00	7.50	13.50	11.00	9.20	
			n_1	4050	3750	4050	4050	1950	4050	1500	3000	3525	1950	4050	1500	
			I_{M230}	4.6	5.0	6.8	8.4	5.2	8.8	7.6	10.5		11.8			
			I_{M400}	2.3	2.5	3.4	4.2	2.6	4.5	3.8		5.7	5.9	10.2	4.5	
			P_N	1.00	1.20	1.60	1.90	1.10	1.80	1.60	2.50	2.80	2.80	4.70	1.45	
			J_M	1.13	1.53	1.93	2.83	4.12	4.12	7.42	7.42	7.42	10.72	10.72	8.22	
3.350	334	19.57	M_2 c n_2 Eck n_2 th													
3.350	554	19.57	M_2 c n_2 Eck n_2 th													
4.643	410	11.99	M_2 c n_2 Eck n_2 th													
4.643	637	11.99	M_2 c n_2 Eck n_2 th													
5.159	514	11.12	M_2 c n_2 Eck n_2 th													
5.159	850	11.12	M_2 c n_2 Eck n_2 th													
5.695	568	18.09	M_2 c n_2 Eck n_2 th													
5.695	914	18.09	M_2 c n_2 Eck n_2 th													
6.400	296	9.83	M_2 c n_2 Eck n_2 th							60	48	45	82	67		
										4.8	4.7	4.8	3.2	3.1		
										234	469	551	305	633		
										234	457	458	305	420		
6.400	460	9.83	M_2 c n_2 Eck n_2 th													
6.400	662	9.83	M_2 c n_2 Eck n_2 th													
7.150	631	11.88	M_2 c n_2 Eck n_2 th													
7.150	918	11.88	M_2 c n_2 Eck n_2 th													

$M \dots$ [Nm]
 $n \dots$ [r/min]
 $J \dots$ [kgcm²]

$P \dots$ [kW]
 $I \dots$ [A]
 i [-]
 c [-]

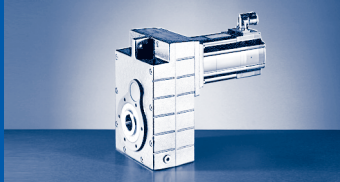


$M_{2GN} \leq 1378 \text{ Nm}$

14DC36	14HC15	14HC32	14LC15	14LC32	14PC14	14PC32	19FC14	19FC30	19JC14	19JC30	19PC14	19PC30	GFL07-2S			
...500	...500	...500	...500	...500	...500	...500	...500	...500	...500	...500	...500	...500	M_1	J_G	M_{2GN}	i
7.50	16.00	14.00	23.00	17.20	30.00	21.00	27.00	21.00	40.00	29.00	51.00	32.00	n_1			
3600	1500	3225	1500	3225	1350	3225	1425	3000	1425	3000	1350	3000	I_{M230}			
7.5	6.6	11.9	9.7	15.0	10.8	15.6	8.6	14.0	12.3	18.5	14.3	19.0	I_{M400}			
2.80	2.50	4.70	3.60	5.80	4.20	7.10	4.00	6.60	6.00	9.10	7.20	10.00	P_N			
8.22	14.32	14.32	23.44	23.44	34.74	34.82	65.12	65.04	105.04	105.12	160.12	160.04	J_M			
		43	72	54	95	66							M_2			
		5.7	4.5	4.6	3.4	3.8							c	19.57	334	3.350
		963	448	963	403	963							n_2 Eck			
		671	448	643	403	615							n_2 th			
									126	91	162	101	M_2			
									4.3	4.7	3.3	4.2	c	19.57	554	3.350
									425	896	403	896	n_2 Eck			
									425	644	403	630	n_2 th			
	69	60	100	75	132	92							M_2			
	5.7	5.0	4.0	4.1	3.0	3.4							c	11.99	410	4.643
	323	695	323	695	291	695							n_2 Eck			
	323	543	323	520	291	498							n_2 th			
							116	90	175	127	226	140	M_2			
							5.2	5.3	3.5	3.9	2.8	3.5	c	11.99	637	4.643
							307	646	307	646	291	646	n_2 Eck			
							307	476	307	476	291	476	n_2 th			
		67	111	83	146	102							M_2			
		5.7	4.5	4.6	3.4	3.8							c	11.12	514	5.159
		625	291	625	262	625							n_2 Eck			
		436	291	417	262	399							n_2 th			
									194	140	249	155	M_2			
									4.2	4.7	3.3	4.2	c	11.12	850	5.159
									276	582	262	582	n_2 Eck			
									276	418	262	409	n_2 th			
		74	123	91	162	113							M_2			
		5.7	4.5	4.6	3.4	3.8							c	18.09	568	5.695
		566	263	566	237	566							n_2 Eck			
		395	263	378	237	362							n_2 th			
									214	154	275	171	M_2			
									4.1	4.5	3.2	4.1	c	18.09	914	5.695
									250	527	237	527	n_2 Eck			
									250	376	237	368	n_2 th			
													M_2			
													c	9.83	296	6.400
													n_2 Eck			
													n_2 th			
	96	84	140	104	183	128							M_2			
	4.6	4.1	3.2	3.3	2.5	2.7							c	9.83	460	6.400
	234	504	234	504	211	504							n_2 Eck			
	234	444	234	426	211	408							n_2 th			
							163	126	244	177	313	195	M_2			
							4.0	4.0	2.7	2.9	2.1	2.7	c	9.83	662	6.400
							223	469	223	469	211	469	n_2 Eck			
							223	345	223	345	211	345	n_2 th			
	106	93	155	116	204	142							M_2			
	5.7	5.0	4.0	4.1	3.0	3.4							c	11.88	631	7.150
	210	451	210	451	189	451							n_2 Eck			
	210	352	210	338	189	323							n_2 th			
							180	140	271	196	348	217	M_2			
							4.9	5.0	3.3	3.6	2.6	3.3	c	11.88	918	7.150
							199	420	199	420	189	420	n_2 Eck			
							199	309	199	309	189	309	n_2 th			

M ... [Nm]
n ... [r/min]
J ... [kgcm²]

P ... [kW]
I ... [A]
i [-]
c [-]



GFL [Nm]

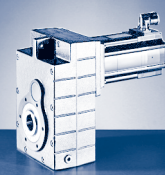
GFL□□-□S (MCS)

$M_{2GN} \leq 1378 \text{ Nm}$

GFL07-2S				09DC41	09FC38	09HC41	09LC41	12DC20	12DC41	12HC15	12HC30	12HC35	12LC20	12LC41	14DC15
				...500	...500	...500	...500	...500	...500	...500	...500	...500	...500	...500	...500
i	M_{2GN}	J_G	M_1	2.30	3.10	3.80	4.50	5.50	4.30	10.00	8.00	7.50	13.50	11.00	9.20
			n_1	4050	3750	4050	4050	1950	4050	1500	3000	3525	1950	4050	1500
			I_{M230}	4.6	5.0	6.8	8.4	5.2	8.8	7.6	10.5		11.8		
			I_{M400}	2.3	2.5	3.4	4.2	2.6	4.5	3.8		5.7	5.9	10.2	4.5
			P_N	1.00	1.20	1.60	1.90	1.10	1.80	1.60	2.50	2.80	2.80	4.70	1.45
			J_M	1.13	1.53	1.93	2.83	4.12	4.12	7.42	7.42	7.42	10.72	10.72	8.22
8.324	830	13.11	M_2 c n_2 Eck n_2 th												
8.324	993	13.11	M_2 c n_2 Eck n_2 th												
9.379	935	12.04	M_2 c n_2 Eck n_2 th												
9.379	999	12.04	M_2 c n_2 Eck n_2 th												
9.714	475	8.03	M_2 c n_2 Eck n_2 th							90	72	68	124	101	
										5.0	5.0	5.1	3.4	3.3	
										154	309	363	201	417	
										154	293	293	201	268	
9.714	745	8.03	M_2 c n_2 Eck n_2 th												
9.714	969	8.03	M_2 c n_2 Eck n_2 th												
11.538	1018	8.52	M_2 c n_2 Eck n_2 th												
11.538	1080	8.52	M_2 c n_2 Eck n_2 th												
13.000	1089	7.97	M_2 c n_2 Eck n_2 th												
14.200	694	6.35	M_2 c n_2 Eck n_2 th							132	106	99	181	148	
										5.0	5.0	5.1	3.4	3.3	
										106	211	248	137	285	
										106	200	201	137	184	
14.200	1089	6.35	M_2 c n_2 Eck n_2 th												
14.200	1143	6.35	M_2 c n_2 Eck n_2 th												

$M \dots$ [Nm]
 $n \dots$ [r/min]
 $J \dots$ [kgcm²]

$P \dots$ [kW]
 $I \dots$ [A]
 i [-]
 c [-]

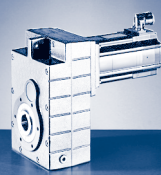


$M_{2GN} \leq 1378 \text{ Nm}$

14DC36	14HC15	14HC32	14LC15	14LC32	14PC14	14PC32	19FC14	19FC30	19JC14	19JC30	19PC14	19PC30	GFL07-2S			
...500	...500	...500	...500	...500	...500	...500	...500	...500	...500	...500	...500	...500	M_1	J_G	M_{2GN}	i
7.50	16.00	14.00	23.00	17.20	30.00	21.00	27.00	21.00	40.00	29.00	51.00	32.00	n_1			
3600	1500	3225	1500	3225	1350	3225	1425	3000	1425	3000	1350	3000	I_{M230}			
													I_{M400}			
7.5	6.6	11.9	9.7	15.0	10.8	15.6	8.6	14.0	12.3	18.5	14.3	19.0	P_N			
2.80	2.50	4.70	3.60	5.80	4.20	7.10	4.00	6.60	6.00	9.10	7.20	10.00	J_M			
8.22	14.32	14.32	23.44	23.44	34.74	34.82	65.12	65.04	105.04	105.12	160.12	160.04	M_2			
		108	179	134	236	165							c	13.11	830	8.324
		5.7	4.5	4.6	3.4	3.8							$n_2 \text{ Eck}$			
		387	180	387	162	387							$n_2 \text{ th}$			
		270	180	259	162	247										
							210	163	316	229	406	253	M_2	13.11	993	8.324
							4.6	4.7	3.1	3.4	2.4	3.1	c			
							171	360	171	360	162	360	$n_2 \text{ Eck}$			
							171	259	171	241	162	235	$n_2 \text{ th}$			
		121	202	151	266	186							M_2	12.04	935	9.379
		5.7	4.5	4.6	3.4	3.8							c			
		344	160	344	144	344							$n_2 \text{ Eck}$			
		240	160	229	144	219							$n_2 \text{ th}$			
							238	185	357	258	459	286	M_2	12.04	999	9.379
							4.1	4.2	2.8	3.0	2.2	2.7	c			
							152	320	152	320	144	320	$n_2 \text{ Eck}$			
							152	224	152	208	144	203	$n_2 \text{ th}$			
													M_2	8.03	475	9.714
													c			
													$n_2 \text{ Eck}$			
													$n_2 \text{ th}$			
	145	127	211	158	278	194							M_2	8.03	745	9.714
	4.9	4.4	3.4	3.6	2.6	2.9							c			
	154	332	154	332	139	332							$n_2 \text{ Eck}$			
	154	285	154	273	139	261							$n_2 \text{ th}$			
							247	192	371	268	476	297	M_2	8.03	969	9.714
							3.8	3.9	2.6	2.8	2.0	2.6	c			
							147	309	147	309	139	309	$n_2 \text{ Eck}$			
							147	228	147	228	139	228	$n_2 \text{ th}$			
	170	150	250	186	329	229							M_2	8.52	1018	11.538
	5.7	5.0	4.0	4.1	3.0	3.4							c			
	130	280	130	280	117	280							$n_2 \text{ Eck}$			
	130	218	130	209	117	200							$n_2 \text{ th}$			
							294	229	441	319	566	353	M_2	8.52	1080	11.538
							3.6	3.7	2.4	2.6	1.9	2.4	c			
							124	260	124	260	117	260	$n_2 \text{ Eck}$			
							124	192	124	190	117	186	$n_2 \text{ th}$			
	193	170	282	210	371	259	333	259	498	361	639	399	M_2	7.97	1089	13.000
	5.4	4.8	3.8	3.9	2.9	3.2	3.2	3.3	2.2	2.4	1.7	2.1	c			
	115	248	115	248	104	248	110	231	110	231	104	231	$n_2 \text{ Eck}$			
	115	192	115	184	104	176	110	170	110	164	104	160	$n_2 \text{ th}$			
													M_2	6.35	694	14.200
													c			
													$n_2 \text{ Eck}$			
													$n_2 \text{ th}$			
	211	186	309	231	406	284							M_2	6.35	1089	14.200
	4.9	4.4	3.4	3.6	2.6	2.9							c			
	106	227	106	227	95	227							$n_2 \text{ Eck}$			
	106	195	106	187	95	179							$n_2 \text{ th}$			
							364	283	545	394	698	436	M_2	6.35	1143	14.200
							3.1	3.1	2.1	2.3	1.6	2.1	c			
							100	211	100	211	95	211	$n_2 \text{ Eck}$			
							100	156	100	156	95	156	$n_2 \text{ th}$			

M ... [Nm]
n ... [r/min]
J ... [kgcm²]

P ... [kW]
I ... [A]
i [-]
c [-]



GFL [Nm]

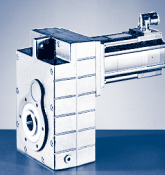
GFL□□-□S (MCS)

$M_{2GN} \leq 1378 \text{ Nm}$

GFL07-2S				09DC41	09FC38	09HC41	09LC41	12DC20	12DC41	12HC15	12HC30	12HC35	12LC20	12LC41	14DC15
				...500	...500	...500	...500	...500	...500	...500	...500	...500	...500	...500	...500
i	M_{2GN}	J_G	M_1	2.30	3.10	3.80	4.50	5.50	4.30	10.00	8.00	7.50	13.50	11.00	9.20
			n_1	4050	3750	4050	4050	1950	4050	1500	3000	3525	1950	4050	1500
			I_{M230}	4.6	5.0	6.8	8.4	5.2	8.8	7.6	10.5		11.8		
			I_{M400}	2.3	2.5	3.4	4.2	2.6	4.5	3.8		5.7	5.9	10.2	4.5
			P_N	1.00	1.20	1.60	1.90	1.10	1.80	1.60	2.50	2.80	2.80	4.70	1.45
			J_M	1.13	1.53	1.93	2.83	4.12	4.12	7.42	7.42	7.42	10.72	10.72	8.22
15.904	735	5.27	M_2							148	119	111	204	166	
			c							4.8	4.7	4.8	3.2	3.1	
			n_2 Eck							94	189	222	123	255	
			n_2 th							94	184	184	123	169	
15.904	1143	5.27	M_2												
			c												
			n_2 Eck												
			n_2 th												
15.904	1179	5.27	M_2												
			c												
			n_2 Eck												
			n_2 th												
17.920	829	4.98	M_2							167	134	125	229	187	
			c							4.8	4.7	4.8	3.2	3.1	
			n_2 Eck							84	167	197	109	226	
			n_2 th							84	163	164	109	150	
17.920	1189	4.98	M_2												
			c												
			n_2 Eck												
			n_2 th												
20.286	614	3.47	M_2			71	85								
			c			5.9	5.0								
			n_2 Eck			200	200								
			n_2 th			175	170								
20.286	789	3.47	M_2							191	153	143	261	213	
			c							4.0	4.0	4.0	2.7	2.6	
			n_2 Eck							74	148	174	96	200	
			n_2 th							74	148	163	96	150	
20.286	1092	3.47	M_2												
			c												
			n_2 Eck												
			n_2 th												
22.857	691	3.27	M_2			80	96								
			c			5.9	5.0								
			n_2 Eck			177	177								
			n_2 th			155	151								
22.857	890	3.27	M_2							215	172	161	294	240	
			c							4.0	4.0	4.0	2.7	2.6	
			n_2 Eck							66	131	154	85	177	
			n_2 th							66	131	145	85	133	
22.857	1231	3.27	M_2												
			c												
			n_2 Eck												
			n_2 th												
24.850	831	2.65	M_2							235	187	175	320	261	
			c							3.5	3.9	3.9	2.6	2.6	
			n_2 Eck							60	121	142	79	163	
			n_2 th							60	121	142	78	133	
24.850	1289	2.65	M_2												211
			c												5.8
			n_2 Eck												60
			n_2 th												60

$M \dots$ [Nm]
 $n \dots$ [r/min]
 $J \dots$ [kgcm²]

$P \dots$ [kW]
 $I \dots$ [A]
 $i \dots$ [-]
 $c \dots$ [-]

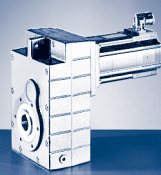


$M_{2GN} \leq 1378 \text{ Nm}$

14DC36	14HC15	14HC32	14LC15	14LC32	14PC14	14PC32	19FC14	19FC30	19JC14	19JC30	19PC14	19PC30	GFL07-2S			
...500	...500	...500	...500	...500	...500	...500	...500	...500	...500	...500	...500	...500	M_1	J_G	M_{2GN}	i
7.50	16.00	14.00	23.00	17.20	30.00	21.00	27.00	21.00	40.00	29.00	51.00	32.00	n_1			
3600	1500	3225	1500	3225	1350	3225	1425	3000	1425	3000	1350	3000	l_{M230}			
7.5	6.6	11.9	9.7	15.0	10.8	15.6	8.6	14.0	12.3	18.5	14.3	19.0	l_{M400}			
2.80	2.50	4.70	3.60	5.80	4.20	7.10	4.00	6.60	6.00	9.10	7.20	10.00	P_N			
8.22	14.32	14.32	23.44	23.44	34.74	34.82	65.12	65.04	105.04	105.12	160.12	160.04	J_M			
													M_2 c			
													n_2 Eck	5.27	735	15.904
													n_2 th			
	238	209	347	259	456	318							M_2 c			
	4.6	4.1	3.2	3.3	2.5	2.7							n_2 Eck	5.27	1143	15.904
	94	203	94	203	85	203							n_2 th			
	94	179	94	171	85	164										
							409	318	611	442	783	489	M_2 c			
							2.8	2.9	1.9	2.1	1.5	1.9	n_2 Eck	5.27	1179	15.904
							90	189	90	189	85	189	n_2 th			
							90	139	90	139	85	139				
													M_2 c			
													n_2 Eck	4.98	829	17.920
													n_2 th			
	269	236	392	293	515	359	462	359	690	500	884	552	M_2 c			
	4.3	3.8	3.0	3.1	2.3	2.5	2.5	2.6	1.7	1.9	1.3	1.7	n_2 Eck	4.98	1189	17.920
	84	180	84	180	75	180	80	167	80	167	75	167	n_2 th			
	84	156	84	150	75	143	80	123	80	123	75	123				
													M_2 c			
													n_2 Eck	3.47	614	20.286
													n_2 th			
													M_2 c			
													n_2 Eck	3.47	789	20.286
													n_2 th			
141	307	270	446	333	585	409							M_2 c			
5.5	3.5	3.1	2.4	2.5	1.9	2.1							n_2 Eck	3.47	1092	20.286
178	74	159	74	159	67	159							n_2 th			
173	74	155	74	148	67	142										
													M_2 c			
													n_2 Eck	3.27	691	22.857
													n_2 th			
													M_2 c			
													n_2 Eck	3.27	890	22.857
													n_2 th			
159	346	304	503	376	659	461							M_2 c			
5.5	3.5	3.1	2.4	2.5	1.9	2.1							n_2 Eck	3.27	1231	22.857
158	66	141	66	141	59	141							n_2 th			
154	66	137	66	131	59	126										
													M_2 c			
													n_2 Eck	2.65	831	24.850
													n_2 th			
	376	329	547	407	717	500							M_2 c			
	3.3	3.4	2.3	2.7	1.8	2.2							n_2 Eck	2.65	1289	24.850
	60	130	60	130	54	130							n_2 th			
	60	130	60	130	54	130										

M ... [Nm]
n ... [r/min]
J ... [kgcm²]

P ... [kW]
I ... [A]
i [-]
c [-]



GFL [Nm]

GFL□□-□S (MCS)

$M_{2GN} \leq 1378 \text{ Nm}$

GFL07-2S				09DC41	09FC38	09HC41	09LC41	12DC20	12DC41	12HC15	12HC30	12HC35	12LC20	12LC41	14DC15		
				...500	...500	...500	...500	...500	...500	...500	...500	...500	...500	...500	...500		
i	M_{2GN}	J_G	M_1	2.30	3.10	3.80	4.50	5.50	4.30	10.00	8.00	7.50	13.50	11.00	9.20		
			n_1	4050	3750	4050	4050	1950	4050	1500	3000	3525	1950	4050	1500		
			I_{M230}	4.6	5.0	6.8	8.4	5.2	8.8	7.6	10.5		11.8				
			I_{M400}	2.3	2.5	3.4	4.2	2.6	4.5	3.8		5.7	5.9	10.2	4.5		
			P_N	1.00	1.20	1.60	1.90	1.10	1.80	1.60	2.50	2.80	2.80	4.70	1.45		
			J_M	1.13	1.53	1.93	2.83	4.12	4.12	7.42	7.42	7.42	10.72	10.72	8.22		
28.000	936	2.53	M_2							265	211	198	361	294			
			c								3.5	3.9	3.9	2.6	2.6		
			$n_{2 \text{ Eck}}$								54	107	126	70	145		
			$n_{2 \text{ th}}$							54	107	126	70	118			
28.000	1242	2.53	M_2												240		
			c												5.0		
			$n_{2 \text{ Eck}}$													54	
			$n_{2 \text{ th}}$											54			
32.344	674	1.69	M_2		92	115	137										
			c		5.8	4.6	3.9										
			$n_{2 \text{ Eck}}$		116	125	125										
			$n_{2 \text{ th}}$		116	125	125										
32.344	868	1.69	M_2					165	129	308	246	230	419	341			
			c					5.0	5.3	2.8	3.1	3.2	2.1	2.1			
			$n_{2 \text{ Eck}}$					60	125	46	93	109	60	125			
			$n_{2 \text{ th}}$					60	125	46	93	109	60	120			
32.344	1346	1.69	M_2												278		
			c												4.7		
			$n_{2 \text{ Eck}}$													46	
			$n_{2 \text{ th}}$											46			
36.444	760	1.61	M_2		104	129	154										
			c		5.8	4.6	3.9										
			$n_{2 \text{ Eck}}$		103	111	111										
			$n_{2 \text{ th}}$		103	111	111										
36.444	978	1.61	M_2					186	145	347	277	259	472	385			
			c					5.0	5.3	2.8	3.1	3.2	2.1	2.1			
			$n_{2 \text{ Eck}}$					54	111	41	82	97	54	111			
			$n_{2 \text{ th}}$					54	111	41	82	97	54	106			
36.444	1248	1.61	M_2												316		
			c												3.8		
			$n_{2 \text{ Eck}}$													41	
			$n_{2 \text{ th}}$											41			
39.642	707	1.25	M_2		114	142	169										
			c		5.0	4.0	3.3										
			$n_{2 \text{ Eck}}$		95	102	102										
			$n_{2 \text{ th}}$		95	102	102										
39.642	910	1.25	M_2					204	159	379	302	283	515	420			
			c					4.3	4.5	2.4	2.7	2.7	1.8	1.8			
			$n_{2 \text{ Eck}}$					49	102	38	76	89	49	102			
			$n_{2 \text{ th}}$					49	102	38	76	89	49	102			
39.642	1378	1.25	M_2												343		
			c												3.9		
			$n_{2 \text{ Eck}}$													38	
			$n_{2 \text{ th}}$											38			
44.667	797	1.20	M_2		129	160	190										
			c		5.0	4.0	3.3										
			$n_{2 \text{ Eck}}$		84	91	91										
			$n_{2 \text{ th}}$		84	91	91										
44.667	1025	1.20	M_2					230	180	427	341	319	581	473			
			c					4.3	4.5	2.4	2.7	2.7	1.8	1.8			
			$n_{2 \text{ Eck}}$					44	91	34	67	79	44	91			
			$n_{2 \text{ th}}$					44	91	34	67	79	44	91			

$M \dots$ [Nm]
 $n \dots$ [r/min]
 $J \dots$ [kgcm²]

$P \dots$ [kW]
 $I \dots$ [A]
 $i \dots$ [-]
 $c \dots$ [-]

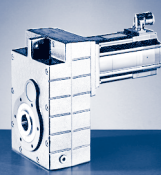


$M_{2GN} \leq 1378 \text{ Nm}$

14DC36	14HC15	14HC32	14LC15	14LC32	14PC14	14PC32	19FC14	19FC30	19JC14	19JC30	19PC14	19PC30	GFL07-2S			
...500	...500	...500	...500	...500	...500	...500	...500	...500	...500	...500	...500	...500	M_1	J_G	M_{2GN}	i
7.50	16.00	14.00	23.00	17.20	30.00	21.00	27.00	21.00	40.00	29.00	51.00	32.00	n_1			
3600	1500	3225	1500	3225	1350	3225	1425	3000	1425	3000	1350	3000	I_{M230}			
7.5	6.6	11.9	9.7	15.0	10.8	15.6	8.6	14.0	12.3	18.5	14.3	19.0	I_{M400}			
2.80	2.50	4.70	3.60	5.80	4.20	7.10	4.00	6.60	6.00	9.10	7.20	10.00	P_N			
8.22	14.32	14.32	23.44	23.44	34.74	34.82	65.12	65.04	105.04	105.12	160.12	160.04	J_M			
													M_2 c	2.53	936	28.000
													n_2 Eck			
													n_2 th			
195	426	373	618	461	811	565							M_2 c	2.53	1242	28.000
5.2	2.9	2.9	2.0	2.3	1.5	1.9							n_2 Eck			
129	54	115	54	115	48	115							n_2 th			
128	54	115	54	115	48	111							M_2 c	1.69	674	32.344
													n_2 Eck			
													n_2 th			
													M_2 c	1.69	868	32.344
													n_2 Eck			
													n_2 th			
226	493	432	715	533	937	654							M_2 c	1.69	1346	32.344
4.9	2.7	2.7	1.9	2.2	1.4	1.8							n_2 Eck			
111	46	100	46	100	42	100							n_2 th			
111	46	100	46	100	42	100							M_2 c	1.61	760	36.444
													n_2 Eck			
													n_2 th			
													M_2 c	1.61	978	36.444
													n_2 Eck			
													n_2 th			
257	559	489	809	603	1059	739							M_2 c	1.61	1248	36.444
4.0	2.2	2.2	1.5	1.8	1.2	1.5							n_2 Eck			
99	41	89	41	89	37	89							n_2 th			
99	41	88	41	88	37	88							M_2 c	1.25	707	39.642
													n_2 Eck			
													n_2 th			
													M_2 c	1.25	910	39.642
													n_2 Eck			
													n_2 th			
279	608	532	880	656	1152	804							M_2 c	1.25	1378	39.642
4.1	2.2	2.3	1.6	1.8	1.2	1.5							n_2 Eck			
91	38	81	38	81	34	81							n_2 th			
91	38	81	38	81	34	81							M_2 c	1.20	797	44.667
													n_2 Eck			
													n_2 th			
													M_2 c	1.20	1025	44.667
													n_2 Eck			
													n_2 th			

$M \dots$ [Nm]
 $n \dots$ [r/min]
 $J \dots$ [kgcm²]

$P \dots$ [kW]
 $I \dots$ [A]
 i [-]
 c [-]



GFL [Nm]

GFL□□-□S (MCS)

$M_{2GN} \leq 1378 \text{ Nm}$

GFL07-2S				09DC41	09FC38	09HC41	09LC41	12DC20	12DC41	12HC15	12HC30	12HC35	12LC20	12LC41	14DC15		
				...500	...500	...500	...500	...500	...500	...500	...500	...500	...500	...500	...500		
i	M_{2GN}	J_G	M_1	2.30	3.10	3.80	4.50	5.50	4.30	10.00	8.00	7.50	13.50	11.00	9.20		
			n_1	4050	3750	4050	4050	1950	4050	1500	3000	3525	1950	4050	1500		
			I_{M230}	4.6	5.0	6.8	8.4	5.2	8.8	7.6	10.5		11.8				
			I_{M400}	2.3	2.5	3.4	4.2	2.6	4.5	3.8		5.7	5.9	10.2	4.5		
			P_N	1.00	1.20	1.60	1.90	1.10	1.80	1.60	2.50	2.80	2.80	4.70	1.45		
			J_M	1.13	1.53	1.93	2.83	4.12	4.12	7.42	7.42	7.42	10.72	10.72	8.22		
44.667	1258	1.20	M_2												390		
			c													3.2	
			$n_{2 \text{ Eck}}$														34
			$n_{2 \text{ th}}$														34
52.067	726	0.78	M_2	111	152	188	224										
			c	5.1	3.9	3.1	2.6										
			$n_{2 \text{ Eck}}$	78	72	78	78										
			$n_{2 \text{ th}}$	78	72	78	78										
52.067	935	0.78	M_2					271	212	501	400	375	679	554			
			c					3.4	3.5	1.9	2.1	2.1	1.4	1.4			
			$n_{2 \text{ Eck}}$					38	78	29	58	68	38	78			
			$n_{2 \text{ th}}$					37	78	29	58	68	37	78			
58.667	819	0.75	M_2	125	171	212	252										
			c	5.1	3.9	3.1	2.6										
			$n_{2 \text{ Eck}}$	69	64	69	69										
			$n_{2 \text{ th}}$	69	64	69	69										
58.667	1054	0.75	M_2					305	238	564	450	422	765	624			
			c					3.4	3.5	1.9	2.1	2.1	1.4	1.4			
			$n_{2 \text{ Eck}}$					33	69	26	51	60	33	69			
			$n_{2 \text{ th}}$					33	69	26	51	60	33	69			
63.190	735	0.57	M_2	136	186	229	273										
			c	4.3	3.2	2.6	2.2										
			$n_{2 \text{ Eck}}$	64	59	64	64										
			$n_{2 \text{ th}}$	64	59	64	64										
63.190	946	0.57	M_2					331	258	610	487	456	826	673			
			c					2.8	2.9	1.5	1.7	1.8	1.1	1.2			
			$n_{2 \text{ Eck}}$					31	64	24	48	56	31	64			
			$n_{2 \text{ th}}$					31	64	24	47	56	31	64			
71.200	828	0.56	M_2	153	208	257	306										
			c	4.7	3.6	2.9	2.4										
			$n_{2 \text{ Eck}}$	57	53	57	57										
			$n_{2 \text{ th}}$	57	53	57	57										
71.200	1066	0.56	M_2					373	290	687	547	513	931	758			
			c					2.8	3.3	1.5	1.9	2.0	1.1	1.3			
			$n_{2 \text{ Eck}}$					27	57	21	42	50	27	57			
			$n_{2 \text{ th}}$					27	57	21	42	50	27	57			
79.875	744	0.37	M_2	173	236	291	345										
			c	3.8	2.9	2.3	1.9										
			$n_{2 \text{ Eck}}$	51	47	51	51										
			$n_{2 \text{ th}}$	51	47	51	51										
90.000	839	0.36	M_2	195	265	327	389										
			c	3.8	2.9	2.3	1.9										
			$n_{2 \text{ Eck}}$	45	42	45	45										
			$n_{2 \text{ th}}$	45	42	45	45										

$M \dots$ [Nm]
 $n \dots$ [r/min]
 $J \dots$ [kgcm²]

$P \dots$ [kW]
 $I \dots$ [A]
 i [-]
 c [-]

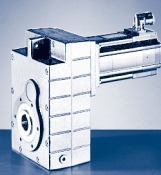


$M_{2GN} \leq 1378 \text{ Nm}$

14DC36	14HC15	14HC32	14LC15	14LC32	14PC14	14PC32	19FC14	19FC30	19JC14	19JC30	19PC14	19PC30	GFL07-2S			
...500	...500	...500	...500	...500	...500	...500	...500	...500	...500	...500	...500	...500	M_1	J_G	M_{2GN}	i
7.50	16.00	14.00	23.00	17.20	30.00	21.00	27.00	21.00	40.00	29.00	51.00	32.00	n_1			
3600	1500	3225	1500	3225	1350	3225	1425	3000	1425	3000	1350	3000	I_{M230}			
7.5	6.6	11.9	9.7	15.0	10.8	15.6	8.6	14.0	12.3	18.5	14.3	19.0	I_{M400}			
2.80	2.50	4.70	3.60	5.80	4.20	7.10	4.00	6.60	6.00	9.10	7.20	10.00	P_N			
8.22	14.32	14.32	23.44	23.44	34.74	34.82	65.12	65.04	105.04	105.12	160.12	160.04	J_M			
317	688	602	994	742		908							M_2			
3.3	1.8	1.8	1.3	1.5		1.2							c	1.20	1258	44.667
81	34	72	34	72		72							$n_{2 \text{ Eck}}$			
80	34	72	34	72		72							$n_{2 \text{ th}}$			
													M_2			
													c	0.78	726	52.067
													$n_{2 \text{ Eck}}$			
													$n_{2 \text{ th}}$			
													M_2			
													c	0.78	935	52.067
													$n_{2 \text{ Eck}}$			
													$n_{2 \text{ th}}$			
													M_2			
													c	0.75	819	58.667
													$n_{2 \text{ Eck}}$			
													$n_{2 \text{ th}}$			
													M_2			
													c	0.75	1054	58.667
													$n_{2 \text{ Eck}}$			
													$n_{2 \text{ th}}$			
													M_2			
													c	0.57	735	63.190
													$n_{2 \text{ Eck}}$			
													$n_{2 \text{ th}}$			
													M_2			
													c	0.57	946	63.190
													$n_{2 \text{ Eck}}$			
													$n_{2 \text{ th}}$			
													M_2			
													c	0.56	828	71.200
													$n_{2 \text{ Eck}}$			
													$n_{2 \text{ th}}$			
													M_2			
													c	0.56	1066	71.200
													$n_{2 \text{ Eck}}$			
													$n_{2 \text{ th}}$			
													M_2			
													c	0.37	744	79.875
													$n_{2 \text{ Eck}}$			
													$n_{2 \text{ th}}$			
													M_2			
													c	0.36	839	90.000
													$n_{2 \text{ Eck}}$			
													$n_{2 \text{ th}}$			

M ... [Nm]
n ... [r/min]
J ... [kgcm²]

P ... [kW]
I ... [A]
i [-]
c [-]



GFL [Nm]

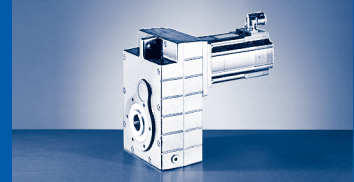
GFL□□-□S (MCS)

$M_{2GN} \leq 1378 \text{ Nm}$

GFL07-3S				06CC41	06FC41	06IC41	09DC41	09FC38	09HC41	09LC41
				...500	...500	...500	...500	...500	...500	...500
i	M_{2GN}	J_G	M_1	0.60	1.20	1.50	2.30	3.10	3.80	4.50
			n_1	4050	4050	4050	4050	3750	4050	4050
			I_{M230}	2.6	2.9	3.2	4.6	5.0	6.8	8.4
			I_{M400}	1.3	1.5	1.6	2.3	2.5	3.4	4.2
			P_N	0.25	0.51	0.64	1.00	1.20	1.60	1.90
			J_M	0.17	0.25	0.33	1.13	1.53	1.93	2.83
65.306	883	0.79	M_2				137	187	231	275
			c				5.6	4.2	3.4	2.8
			n_2 Eck				62	57	62	62
			n_2 th				62	57	62	62
72.452	869	0.89	M_2				153	208	258	307
			c				4.9	3.8	3.0	2.5
			n_2 Eck				56	52	56	56
			n_2 th				56	52	56	56
81.636	979	0.88	M_2				172	235	290	345
			c				4.9	3.8	3.0	2.5
			n_2 Eck				50	46	50	50
			n_2 th				50	46	50	50
92.413	961	0.61	M_2				196	267	330	392
			c				4.3	3.3	2.6	2.2
			n_2 Eck				44	41	44	44
			n_2 th				44	41	44	44
104.127	1082	0.60	M_2				221	301	372	442
			c				4.3	3.3	2.6	2.2
			n_2 Eck				39	36	39	39
			n_2 th				39	36	39	39
113.206	1040	0.45	M_2			154	242	329	406	482
			c			5.8	3.8	2.9	2.3	1.9
			n_2 Eck			36	36	33	36	36
			n_2 th			36	36	33	36	36
127.556	1171	0.44	M_2			174	272	370	457	543
			c			5.8	3.8	2.9	2.3	1.9
			n_2 Eck			32	32	29	32	32
			n_2 th			32	32	29	32	32
147.347	1140	0.28	M_2			203	316	430	530	630
			c			4.9	3.2	2.4	1.9	1.6
			n_2 Eck			28	28	26	28	28
			n_2 th			27	27	25	27	27
166.025	1248	0.27	M_2		181	229	357	485	597	710
			c		5.9	4.8	3.1	2.4	1.9	1.6
			n_2 Eck		24	24	24	23	24	24
			n_2 th		24	24	24	23	24	24
183.285	1236	0.19	M_2		201	254	395	537	661	785
			c		5.3	4.3	2.8	2.1	1.7	1.4
			n_2 Eck		22	22	22	21	22	22
			n_2 th		22	22	22	20	22	22
206.519	1248	0.19	M_2		227	287	447	606	746	886
			c		4.8	3.8	2.5	1.9	1.5	1.3
			n_2 Eck		20	20	20	18	20	20
			n_2 th		20	20	20	18	20	20
224.636	1343	0.18	M_2		248	313	486	659	812	963
			c		4.7	3.8	2.5	1.9	1.5	1.3
			n_2 Eck		18	18	18	17	18	18
			n_2 th		18	18	18	17	18	18
253.111	1258	0.18	M_2		281	355	550	745	917	1088
			c		3.9	3.1	2.1	1.6	1.2	1.1
			n_2 Eck		16	16	16	15	16	16
			n_2 th		16	16	16	15	16	16

$M \dots$ [Nm]
 $n \dots$ [r/min]
 $J \dots$ [kgcm²]

$P \dots$ [kW]
 $I \dots$ [A]
 i [-]
 c [-]

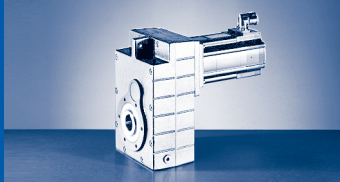


$M_{2GN} \leq 1378 \text{ Nm}$

12DC20	12DC41	12HC15	12HC30	12HC35	12LC20	12LC41	GFL07-3S			
...500	...500	...500	...500	...500	...500	...500				
5.50	4.30	10.00	8.00	7.50	13.50	11.00	M_1	J_G	M_{2GN}	i
1950	4050	1500	3000	3525	1950	4050	n_1			
5.2	8.8	7.6	10.5		11.8		I_{M230}			
2.6	4.5	3.8		5.7	5.9	10.2	I_{M400}			
1.10	1.80	1.60	2.50	2.80	2.80	4.70	P_N			
4.12	4.12	7.42	7.42	7.42	10.72	10.72	J_M			
338	263	621	495	464	842	685	M_2			
2.6	3.0	1.4	1.8	1.8	1.1	1.2	c	0.79	883	65.306
30	62	23	46	54	30	62	$n_{2 \text{ Eck}}$			
30	62	23	46	54	30	62	$n_{2 \text{ th}}$			
376	293	691	551	516		761	M_2			
2.3	2.6	1.3	1.6	1.6		1.0	c	0.89	869	72.452
27	56	21	41	49		56	$n_{2 \text{ Eck}}$			
27	56	21	41	49		46	$n_{2 \text{ th}}$			
423	330	778	620	582		858	M_2			
2.3	2.6	1.3	1.6	1.6		1.0	c	0.88	979	81.636
24	50	18	37	43		50	$n_{2 \text{ Eck}}$			
24	50	18	37	43		41	$n_{2 \text{ th}}$			
481	375	882	704	660			M_2			
2.0	2.3	1.1	1.4	1.4			c	0.61	961	92.413
21	44	16	33	38			$n_{2 \text{ Eck}}$			
21	44	16	32	38			$n_{2 \text{ th}}$			
542	422	994	793	743			M_2			
2.0	2.3	1.1	1.4	1.4			c	0.60	1082	104.127
19	39	14	29	34			$n_{2 \text{ Eck}}$			
19	39	14	29	34			$n_{2 \text{ th}}$			
590	460		864	810			M_2			
1.8	2.0		1.2	1.2			c	0.45	1040	113.206
17	36		27	31			$n_{2 \text{ Eck}}$			
17	36		27	31			$n_{2 \text{ th}}$			
665	519		973	912			M_2			
1.8	2.0		1.2	1.2			c	0.44	1171	127.556
15	32		24	28			$n_{2 \text{ Eck}}$			
15	32		24	28			$n_{2 \text{ th}}$			
							M_2			
							c	0.28	1140	147.347
							$n_{2 \text{ Eck}}$			
							$n_{2 \text{ th}}$			
							M_2			
							c	0.27	1248	166.025
							$n_{2 \text{ Eck}}$			
							$n_{2 \text{ th}}$			
							M_2			
							c	0.19	1236	183.285
							$n_{2 \text{ Eck}}$			
							$n_{2 \text{ th}}$			
							M_2			
							c	0.19	1248	206.519
							$n_{2 \text{ Eck}}$			
							$n_{2 \text{ th}}$			
							M_2			
							c	0.18	1343	224.636
							$n_{2 \text{ Eck}}$			
							$n_{2 \text{ th}}$			
							M_2			
							c	0.18	1258	253.111
							$n_{2 \text{ Eck}}$			
							$n_{2 \text{ th}}$			

M ... [Nm]
n ... [r/min]
J ... [kgcm²]

P ... [kW]
I ... [A]
i [-]
c [-]



GFL [Nm]

GFL□□-□S (MCS)

$M_{2GN} \leq 1378 \text{ Nm}$

GFL07-3S				06CC41	06FC41	06IC41	09DC41	09FC38	09HC41	09LC41
				...500	...500	...500	...500	...500	...500	...500
i	M_{2GN}	J_G	M_1	0.60	1.20	1.50	2.30	3.10	3.80	4.50
			n_1	4050	4050	4050	4050	3750	4050	4050
			I_{M230}	2.6	2.9	3.2	4.6	5.0	6.8	8.4
			I_{M400}	1.3	1.5	1.6	2.3	2.5	3.4	4.2
			P_N	0.25	0.51	0.64	1.00	1.20	1.60	1.90
			J_M	0.17	0.25	0.33	1.13	1.53	1.93	2.83
290.706	1378	0.11	M_2		324	408				
			c		3.7	3.0				
			$n_{2 \text{ Eck}}$		14	14				
			$n_{2 \text{ th}}$		14	14				
327.556	1258	0.11	M_2		368	463				
			c		3.0	2.4				
			$n_{2 \text{ Eck}}$		12	12				
			$n_{2 \text{ th}}$		12	12				
352.811	1378	0.08	M_2		396	498				
			c		3.1	2.5				
			$n_{2 \text{ Eck}}$		12	12				
			$n_{2 \text{ th}}$		11	11				
397.533	1258	0.08	M_2	218	449	564				
			c	5.0	2.5	2.0				
			$n_{2 \text{ Eck}}$	10	10	10				
			$n_{2 \text{ th}}$	10	10	10				
430.222	1270	0.10	M_2	237	487	611				
			c	4.7	2.3	1.9				
			$n_{2 \text{ Eck}}$	9	9	9				
			$n_{2 \text{ th}}$	9	9	9				
522.133	1270	0.08	M_2	291	593	744				
			c	3.8	1.9	1.5				
			$n_{2 \text{ Eck}}$	8	8	8				
			$n_{2 \text{ th}}$	8	8	8				
562.391	1128	0.07	M_2	315	641	804				
			c	3.2	1.6	1.3				
			$n_{2 \text{ Eck}}$	7	7	7				
			$n_{2 \text{ th}}$	7	7	7				
633.680	1220	0.07	M_2	356	723	906				
			c	3.0	1.5	1.2				
			$n_{2 \text{ Eck}}$	6	6	6				
			$n_{2 \text{ th}}$	6	6	6				

M ... [Nm]
 n ... [r/min]
 J ... [kgcm²]

P ... [kW]
 I ... [A]
 i [-]
 c [-]

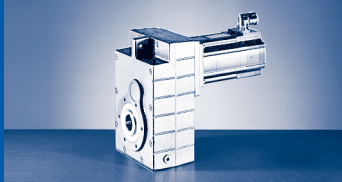


$M_{2GN} \leq 1378 \text{ Nm}$

12DC20	12DC41	12HC15	12HC30	12HC35	12LC20	12LC41	GFL07-3S			
...500	...500	...500	...500	...500	...500	...500	M_1	J_G	M_{2GN}	i
5.50	4.30	10.00	8.00	7.50	13.50	11.00	n_1			
1950	4050	1500	3000	3525	1950	4050	I_{M230}			
5.2	8.8	7.6	10.5		11.8		I_{M400}			
2.6	4.5	3.8		5.7	5.9	10.2	P_N			
1.10	1.80	1.60	2.50	2.80	2.80	4.70	J_M			
4.12	4.12	7.42	7.42	7.42	10.72	10.72	M_2 c n_2 Eck n_2 th	0.11	1378	290.706
							M_2 c n_2 Eck n_2 th	0.11	1258	327.556
							M_2 c n_2 Eck n_2 th	0.08	1378	352.811
							M_2 c n_2 Eck n_2 th	0.08	1258	397.533
							M_2 c n_2 Eck n_2 th	0.10	1270	430.222
							M_2 c n_2 Eck n_2 th	0.08	1270	522.133
							M_2 c n_2 Eck n_2 th	0.07	1128	562.391
							M_2 c n_2 Eck n_2 th	0.07	1220	633.680

M ... [Nm]
n ... [r/min]
J ... [kgcm²]

P ... [kW]
I ... [A]
i [-]
c [-]



GFL [Nm]

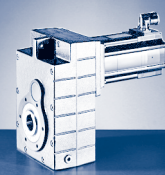
GFL□□-□S (MCS)

$M_{2GN} \leq 2767 \text{ Nm}$

GFL09-2S				12DC20	12DC41	12HC15	12HC30	12HC35	12LC20	12LC41	14DC15	14DC36	14HC15
				...500	...500	...500	...500	...500	...500	...500	...500	...500	...500
i	M_{2GN}	J_G	M_1	5.50	4.30	10.00	8.00	7.50	13.50	11.00	9.20	7.50	16.00
			n_1	1950	4050	1500	3000	3525	1950	4050	1500	3600	1500
			I_{M230}	5.2	8.8	7.6	10.5		11.8				
			I_{M400}	2.6	4.5	3.8		5.7	5.9	10.2	4.5	7.5	6.6
			P_N	1.10	1.80	1.60	2.50	2.80	2.80	4.70	1.45	2.80	2.50
			J_M	4.12	4.12	7.42	7.42	7.42	10.72	10.72	8.22	8.22	14.32
6.864	1207	41.30	M_2										
			c										
			n_2 Eck										
			n_2 th										
7.466	1313	38.70	M_2										
			c										
			n_2 Eck										
			n_2 th										
9.010	860	26.80	M_2										
			c										
			n_2 Eck										
			n_2 th										
9.010	1336	26.80	M_2										
			c										
			n_2 Eck										
			n_2 th										
9.799	935	25.30	M_2										
			c										
			n_2 Eck										
			n_2 th										
9.799	1453	25.30	M_2										
			c										
			n_2 Eck										
			n_2 th										
11.167	976	19.50	M_2										165
			c										5.6
			n_2 Eck										134
			n_2 th										134
11.167	1516	19.50	M_2										
			c										
			n_2 Eck										
			n_2 th										
12.307	2165	27.60	M_2										
			c										
			n_2 Eck										
			n_2 th										
14.333	1368	20.00	M_2										
			c										
			n_2 Eck										
			n_2 th										
14.333	2125	20.00	M_2										
			c										
			n_2 Eck										
			n_2 th										
16.333	1427	15.50	M_2										241
			c										5.6
			n_2 Eck										92
			n_2 th										92
16.333	2217	15.50	M_2										
			c										
			n_2 Eck										
			n_2 th										

$M \dots$ [Nm]
 $n \dots$ [r/min]
 $J \dots$ [kgcm²]

$P \dots$ [kW]
 $I \dots$ [A]
 i [-]
 c [-]

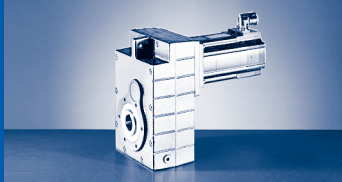


$M_{2GN} \leq 2767 \text{ Nm}$

14HC32	14LC15	14LC32	14PC14	14PC32	19FC14	19FC30	19JC14	19JC30	19PC14	19PC30	GFL09-2S			
...S00	...S00	...S00	...S00	...S00	...S00	...S00	...S00	...S00	...S00	...S00	M_1	J_G	M_{2GN}	i
14.00	23.00	17.20	30.00	21.00	27.00	21.00	40.00	29.00	51.00	32.00	n_1			
3225	1500	3225	1350	3225	1425	3000	1425	3000	1350	3000	I_{M230}			
											I_{M400}			
11.9	9.7	15.0	10.8	15.6	8.6	14.0	12.3	18.5	14.3	19.0	P_N			
4.70	3.60	5.80	4.20	7.10	4.00	6.60	6.00	9.10	7.20	10.00	J_M			
14.32	23.44	23.44	34.74	34.82	65.12	65.04	105.04	105.12	160.12	160.04	M_2			
							257	185	331	205	c	41.30	1207	6.864
							4.5	5.0	3.6	4.5	$n_{2 \text{ Eck}}$			
							208	437	197	437	$n_{2 \text{ th}}$			
							208	294	197	288	M_2			
							279	201	360	223	c	38.70	1313	7.466
							4.5	5.0	3.6	4.5	$n_{2 \text{ Eck}}$			
							191	402	181	402	$n_{2 \text{ th}}$			
							191	271	181	265	M_2			
117	194	145	256	179							c	26.80	860	9.010
5.4	4.3	4.4	3.3	3.6							$n_{2 \text{ Eck}}$			
358	167	358	150	358							$n_{2 \text{ th}}$			
259	166	249	150	238							M_2			
					225	175	339	245	437	272	c	26.80	1336	9.010
					5.7	5.8	3.8	4.2	3.0	3.8	$n_{2 \text{ Eck}}$			
					158	333	158	333	150	333	$n_{2 \text{ th}}$			
					158	245	158	245	150	241	M_2			
127	211	158	279	194							c	25.30	935	9.799
5.4	4.3	4.4	3.3	3.6							$n_{2 \text{ Eck}}$			
329	153	329	138	329							$n_{2 \text{ th}}$			
239	153	229	138	219							M_2			
					244	190	369	267	475	295	c	25.30	1453	9.799
					5.7	5.8	3.8	4.2	3.0	3.8	$n_{2 \text{ Eck}}$			
					145	306	145	306	138	306	$n_{2 \text{ th}}$			
					145	226	145	226	138	221	M_2			
145	242	180	318	222							c	19.50	976	11.167
5.0	3.9	4.1	3.0	3.3							$n_{2 \text{ Eck}}$			
289	134	289	121	289							$n_{2 \text{ th}}$			
225	134	216	121	207							M_2			
					280	217	422	305	543	338	c	19.50	1516	11.167
					5.2	5.3	3.5	3.8	2.7	3.5	$n_{2 \text{ Eck}}$			
					128	269	128	269	121	269	$n_{2 \text{ th}}$			
					128	198	128	198	121	198	M_2			
							460	332	593	368	c	27.60	2165	12.307
							4.5	5.0	3.6	4.5	$n_{2 \text{ Eck}}$			
							116	244	110	244	$n_{2 \text{ th}}$			
							116	164	110	161	M_2			
186	309	231	407	284							c	20.00	1368	14.333
5.4	4.3	4.4	3.3	3.6							$n_{2 \text{ Eck}}$			
225	105	225	94	225							$n_{2 \text{ th}}$			
163	105	156	94	150							M_2			
					357	278	540	390	695	432	c	20.00	2125	14.333
					5.7	5.8	3.8	4.2	3.0	3.8	$n_{2 \text{ Eck}}$			
					99	209	99	209	94	209	$n_{2 \text{ th}}$			
					99	154	99	154	94	151	M_2			
213	354	264	466	325							c	15.50	1427	16.333
5.0	3.9	4.1	3.0	3.3							$n_{2 \text{ Eck}}$			
198	92	198	83	198							$n_{2 \text{ th}}$			
154	92	147	83	141							M_2			
					409	318	618	446	794	494	c	15.50	2217	16.333
					5.2	5.3	3.5	3.8	2.7	3.5	$n_{2 \text{ Eck}}$			
					87	184	87	184	83	184	$n_{2 \text{ th}}$			
					87	135	87	135	83	135	M_2			

$M \dots$ [Nm]
 $n \dots$ [r/min]
 $J \dots$ [kgcm²]

$P \dots$ [kW]
 $I \dots$ [A]
 $i [-]$
 $c [-]$



GFL [Nm]

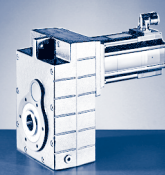
GFL□□-□S (MCS)

$M_{2GN} \leq 2767 \text{ Nm}$

GFL09-2S				12DC20	12DC41	12HC15	12HC30	12HC35	12LC20	12LC41	14DC15	14DC36	14HC15
				...500	...500	...500	...500	...500	...500	...500	...500	...500	...500
i	M_{2GN}	J_G	M_1	5.50	4.30	10.00	8.00	7.50	13.50	11.00	9.20	7.50	16.00
			n_1	1950	4050	1500	3000	3525	1950	4050	1500	3600	1500
			I_{M230}	5.2	8.8	7.6	10.5		11.8				
			I_{M400}	2.6	4.5	3.8		5.7	5.9	10.2	4.5	7.5	6.6
			P_N	1.10	1.80	1.60	2.50	2.80	2.80	4.70	1.45	2.80	2.50
			J_M	4.12	4.12	7.42	7.42	7.42	10.72	10.72	8.22	8.22	14.32
18.407	1608	14.60	M_2										272
			c										5.6
			$n_{2 \text{ Eck}}$										82
			$n_{2 \text{ th}}$										81
18.407	2480	14.60	M_2										
			c										
			$n_{2 \text{ Eck}}$										
			$n_{2 \text{ th}}$										
19.667	962	12.10	M_2			183	146	137	251	205			
			c			5.0	5.0	5.1	3.4	3.3			
			$n_{2 \text{ Eck}}$			76	153	179	99	206			
			$n_{2 \text{ th}}$			76	145	145	99	132			
19.667	1506	12.10	M_2										293
			c										4.9
			$n_{2 \text{ Eck}}$										76
			$n_{2 \text{ th}}$										76
19.667	2339	12.10	M_2										
			c										
			$n_{2 \text{ Eck}}$										
			$n_{2 \text{ th}}$										
22.164	1084	11.30	M_2			206	165	155	283	231			
			c			5.0	5.0	5.1	3.4	3.3			
			$n_{2 \text{ Eck}}$			68	135	159	88	183			
			$n_{2 \text{ th}}$			68	128	129	88	118			
22.164	1697	11.30	M_2										330
			c										4.9
			$n_{2 \text{ Eck}}$										68
			$n_{2 \text{ th}}$										68
22.164	2612	11.30	M_2										
			c										
			$n_{2 \text{ Eck}}$										
			$n_{2 \text{ th}}$										
24.111	1585	9.04	M_2										362
			c										4.2
			$n_{2 \text{ Eck}}$										62
			$n_{2 \text{ th}}$										62
24.111	2463	9.04	M_2										
			c										
			$n_{2 \text{ Eck}}$										
			$n_{2 \text{ th}}$										
27.173	1786	8.63	M_2										408
			c										4.2
			$n_{2 \text{ Eck}}$										55
			$n_{2 \text{ th}}$										55
27.173	2767	8.63	M_2										
			c										
			$n_{2 \text{ Eck}}$										
			$n_{2 \text{ th}}$										
32.667	1074	5.43	M_2			309	246	231	421	343			
			c			3.4	3.8	3.9	2.5	2.5			
			$n_{2 \text{ Eck}}$			46	92	108	60	124			
			$n_{2 \text{ th}}$			46	92	108	60	100			

$M \dots$ [Nm]
 $n \dots$ [r/min]
 $J \dots$ [kgcm²]

$P \dots$ [kW]
 $I \dots$ [A]
 $i \dots$ [-]
 $c \dots$ [-]

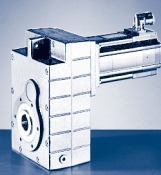


$M_{2GN} \leq 2767 \text{ Nm}$

14HC32	14LC15	14LC32	14PC14	14PC32	19FC14	19FC30	19JC14	19JC30	19PC14	19PC30	GFL09-2S			
...500	...500	...500	...500	...500	...500	...500	...500	...500	...500	...500	M_1	J_G	M_{2GN}	i
14.00	23.00	17.20	30.00	21.00	27.00	21.00	40.00	29.00	51.00	32.00	n_1			
3225	1500	3225	1350	3225	1425	3000	1425	3000	1350	3000	I_{M230}			
											I_{M400}			
11.9	9.7	15.0	10.8	15.6	8.6	14.0	12.3	18.5	14.3	19.0	P_N			
4.70	3.60	5.80	4.20	7.10	4.00	6.60	6.00	9.10	7.20	10.00	J_M			
14.32	23.44	23.44	34.74	34.82	65.12	65.04	105.04	105.12	160.12	160.04	M_2			
240	398	298	525	366							c	14.60	1608	18.407
5.0	3.9	4.1	3.0	3.3							$n_{2 \text{ Eck}}$			
175	82	175	73	175							$n_{2 \text{ th}}$			
137	81	131	73	125										
					462	359	696	503	895	557	M_2			
					5.1	5.3	3.5	3.8	2.7	3.4	c	14.60	2480	18.407
					77	163	77	163	73	163	$n_{2 \text{ Eck}}$			
					77	120	77	120	73	120	$n_{2 \text{ th}}$			
											M_2			
											c	12.10	962	19.667
											$n_{2 \text{ Eck}}$			
											$n_{2 \text{ th}}$			
258	428	320	563	393							M_2			
4.4	3.4	3.6	2.6	2.9							c	12.10	1506	19.667
164	76	164	69	164							$n_{2 \text{ Eck}}$			
141	76	135	69	129							$n_{2 \text{ th}}$			
					496	386	747	540	959	598	M_2			
					4.5	4.6	3.1	3.4	2.4	3.0	c	12.10	2339	19.667
					73	153	73	153	69	153	$n_{2 \text{ Eck}}$			
					72	112	72	112	69	112	$n_{2 \text{ th}}$			
											M_2			
											c	11.30	1084	22.164
											$n_{2 \text{ Eck}}$			
											$n_{2 \text{ th}}$			
291	482	360	634	443							M_2			
4.4	3.4	3.6	2.6	2.9							c	11.30	1697	22.164
146	68	146	61	146							$n_{2 \text{ Eck}}$			
125	68	119	61	114							$n_{2 \text{ th}}$			
					560	435	842	609	1081	674	M_2			
					4.5	4.6	3.0	3.3	2.4	3.0	c	11.30	2612	22.164
					64	135	64	135	61	135	$n_{2 \text{ Eck}}$			
					64	100	64	100	61	100	$n_{2 \text{ th}}$			
317	527	392	693	482							M_2			
4.3	3.0	3.5	2.3	2.8							c	9.04	1585	24.111
134	62	134	56	134							$n_{2 \text{ Eck}}$			
124	62	119	56	114							$n_{2 \text{ th}}$			
					613	473	920	662	1180	733	M_2			
					3.9	4.5	2.6	3.3	2.1	3.0	c	9.04	2463	24.111
					59	124	59	124	56	124	$n_{2 \text{ Eck}}$			
					59	92	59	92	56	92	$n_{2 \text{ th}}$			
357	594	442	781	543							M_2			
4.3	3.0	3.5	2.3	2.8							c	8.63	1786	27.173
119	55	119	50	119							$n_{2 \text{ Eck}}$			
110	55	105	50	101							$n_{2 \text{ th}}$			
					691	534	1037	747	1330	827	M_2			
					3.9	4.5	2.6	3.3	2.1	3.0	c	8.63	2767	27.173
					52	110	52	110	50	110	$n_{2 \text{ Eck}}$			
					52	81	52	81	50	81	$n_{2 \text{ th}}$			
											M_2			
											c	5.43	1074	32.667
											$n_{2 \text{ Eck}}$			
											$n_{2 \text{ th}}$			

$M \dots$ [Nm]
 $n \dots$ [r/min]
 $J \dots$ [kgcm²]

$P \dots$ [kW]
 $I \dots$ [A]
 $i [-]$
 $c [-]$



GFL [Nm]

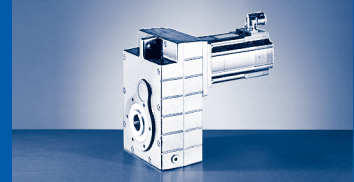
GFL□□-□S (MCS)

$M_{2GN} \leq 2767 \text{ Nm}$

GFL09-2S				12DC20	12DC41	12HC15	12HC30	12HC35	12LC20	12LC41	14DC15	14DC36	14HC15
				...500	...500	...500	...500	...500	...500	...500	...500	...500	...500
i	M_{2GN}	J_G	M_1	5.50	4.30	10.00	8.00	7.50	13.50	11.00	9.20	7.50	16.00
			n_1	1950	4050	1500	3000	3525	1950	4050	1500	3600	1500
			I_{M230}	5.2	8.8	7.6	10.5		11.8				
			I_{M400}	2.6	4.5	3.8		5.7	5.9	10.2	4.5	7.5	6.6
			P_N	1.10	1.80	1.60	2.50	2.80	2.80	4.70	1.45	2.80	2.50
			J_M	4.12	4.12	7.42	7.42	7.42	10.72	10.72	8.22	8.22	14.32
32.667	1678	5.43	M_2								277	225	495
			c								5.8	6.0	3.3
			$n_{2 \text{ Eck}}$								46	110	46
			$n_{2 \text{ th}}$								46	110	46
36.815	1211	5.21	M_2			348	277	260	475	387			
			c			3.4	3.8	3.9	2.5	2.5			
			$n_{2 \text{ Eck}}$			41	82	96	53	110			
			$n_{2 \text{ th}}$			41	81	96	53	89			
36.815	1891	5.21	M_2								313	254	558
			c								5.8	6.0	3.3
			$n_{2 \text{ Eck}}$								41	98	41
			$n_{2 \text{ th}}$								41	98	41
39.667	1118	4.07	M_2	202	158	377	301	282	513	418			
			c	5.3	5.5	2.9	3.3	3.3	2.2	2.2			
			$n_{2 \text{ Eck}}$	49	102	38	76	89	49	102			
			$n_{2 \text{ th}}$	49	102	38	76	89	49	95			
39.667	1743	4.07	M_2								340	276	604
			c								4.9	5.1	2.8
			$n_{2 \text{ Eck}}$								38	91	38
			$n_{2 \text{ th}}$								38	91	38
44.704	1260	3.92	M_2	228	178	425	339	318	579	471			
			c	5.3	5.5	2.9	3.3	3.3	2.2	2.2			
			$n_{2 \text{ Eck}}$	44	91	34	67	79	44	91			
			$n_{2 \text{ th}}$	44	91	34	67	79	44	84			
44.704	1965	3.92	M_2								383	311	681
			c								4.9	5.1	2.8
			$n_{2 \text{ Eck}}$								34	81	34
			$n_{2 \text{ th}}$								34	80	34
51.333	1160	2.59	M_2	265	207	491	392	367	667	544			
			c	4.2	4.4	2.3	2.6	2.7	1.7	1.7			
			$n_{2 \text{ Eck}}$	38	79	29	58	69	38	79			
			$n_{2 \text{ th}}$	38	79	29	58	69	38	78			
51.333	1808	2.59	M_2								444	362	786
			c								4.0	4.1	2.3
			$n_{2 \text{ Eck}}$								29	70	29
			$n_{2 \text{ th}}$								29	70	29
57.852	1307	2.50	M_2	298	233	554	442	414	752	613			
			c	4.2	4.4	2.3	2.6	2.7	1.7	1.7			
			$n_{2 \text{ Eck}}$	34	70	26	52	61	34	70			
			$n_{2 \text{ th}}$	34	70	26	52	61	34	69			
57.852	2038	2.50	M_2								501	407	886
			c								4.0	4.1	2.3
			$n_{2 \text{ Eck}}$								26	62	26
			$n_{2 \text{ th}}$								26	62	26
62.300	1174	1.89	M_2	324	253	599	478	448	812	662			
			c	3.5	3.7	1.9	2.2	2.2	1.4	1.4			
			$n_{2 \text{ Eck}}$	31	65	24	48	57	31	65			
			$n_{2 \text{ th}}$	31	65	24	48	57	31	65			
62.300	1829	1.89	M_2								543	442	958
			c								3.3	3.4	1.9
			$n_{2 \text{ Eck}}$								24	58	24
			$n_{2 \text{ th}}$								24	58	24

$M \dots$ [Nm]
 $n \dots$ [r/min]
 $J \dots$ [kgcm²]

$P \dots$ [kW]
 $I \dots$ [A]
 $i \dots$ [-]
 $c \dots$ [-]

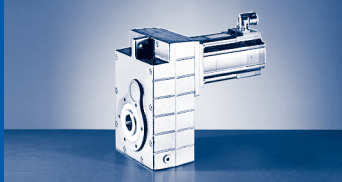


$M_{2GN} \leq 2767 \text{ Nm}$

14HC32	14LC15	14LC32	14PC14	14PC32	19FC14	19FC30	19JC14	19JC30	19PC14	19PC30	GFL09-2S			
...S00	...S00	...S00	...S00	...S00	...S00	...S00	...S00	...S00	...S00	...S00	M_1	J_G	M_{2GN}	i
14.00	23.00	17.20	30.00	21.00	27.00	21.00	40.00	29.00	51.00	32.00	n_1			
3225	1500	3225	1350	3225	1425	3000	1425	3000	1350	3000	I_{M230}			
											I_{M400}			
11.9	9.7	15.0	10.8	15.6	8.6	14.0	12.3	18.5	14.3	19.0	P_N			
4.70	3.60	5.80	4.20	7.10	4.00	6.60	6.00	9.10	7.20	10.00	J_M			
14.32	23.44	23.44	34.74	34.82	65.12	65.04	105.04	105.12	160.12	160.04	M_2			
433	719	536	943	657							c			
3.3	2.3	2.7	1.8	2.2							$n_{2 \text{ Eck}}$	5.43	1678	32.667
99	46	99	41	99							$n_{2 \text{ th}}$			
99	46	99	41	98							M_2			
											c			
											$n_{2 \text{ Eck}}$	5.21	1211	36.815
											$n_{2 \text{ th}}$			
488	811	604	1063	741							M_2			
3.3	2.3	2.7	1.8	2.2							c			
88	41	88	37	88							$n_{2 \text{ Eck}}$	5.21	1891	36.815
88	41	88	37	87							$n_{2 \text{ th}}$			
											M_2			
											c			
											$n_{2 \text{ Eck}}$	4.07	1118	39.667
											$n_{2 \text{ th}}$			
529	876	653	1148	801							M_2			
2.9	2.0	2.3	1.5	1.9							c			
81	38	81	34	81							$n_{2 \text{ Eck}}$	4.07	1743	39.667
81	38	81	34	81							$n_{2 \text{ th}}$			
											M_2			
											c			
											$n_{2 \text{ Eck}}$	3.92	1260	44.704
											$n_{2 \text{ th}}$			
596	988	736	1294	902							M_2			
2.9	2.0	2.3	1.5	1.9							c			
72	34	72	30	72							$n_{2 \text{ Eck}}$	3.92	1965	44.704
72	34	72	30	72							$n_{2 \text{ th}}$			
											M_2			
											c			
											$n_{2 \text{ Eck}}$	2.59	1160	51.333
											$n_{2 \text{ th}}$			
688	1139	849	1491	1040							M_2			
2.3	1.6	1.9	1.2	1.5							c			
63	29	63	26	63							$n_{2 \text{ Eck}}$	2.59	1808	51.333
63	29	63	26	63							$n_{2 \text{ th}}$			
											M_2			
											c			
											$n_{2 \text{ Eck}}$	2.50	1307	57.852
											$n_{2 \text{ th}}$			
775	1283	957	1680	1172							M_2			
2.3	1.6	1.9	1.2	1.5							c			
56	26	56	23	56							$n_{2 \text{ Eck}}$	2.50	2038	57.852
56	26	56	23	56							$n_{2 \text{ th}}$			
											M_2			
											c			
											$n_{2 \text{ Eck}}$	1.89	1174	62.300
											$n_{2 \text{ th}}$			
838	1386	1034	1813	1266							M_2			
1.9	1.3	1.6	1.0	1.3							c			
52	24	52	22	52							$n_{2 \text{ Eck}}$	1.89	1829	62.300
52	24	52	22	52							$n_{2 \text{ th}}$			

$M \dots$ [Nm]
 $n \dots$ [r/min]
 $J \dots$ [kgcm²]

$P \dots$ [kW]
 $I \dots$ [A]
 i [-]
 c [-]



GFL [Nm]

GFL□□-□S (MCS)

$M_{2GN} \leq 2767 \text{ Nm}$

GFL09-2S				12DC20	12DC41	12HC15	12HC30	12HC35	12LC20	12LC41	14DC15	14DC36	14HC15		
				...500	...500	...500	...500	...500	...500	...500	...500	...500	...500		
i	M_{2GN}	J_G	M_1	5.50	4.30	10.00	8.00	7.50	13.50	11.00	9.20	7.50	16.00		
			n_1	1950	4050	1500	3000	3525	1950	4050	1500	3600	1500		
			I_{M230}	5.2	8.8	7.6	10.5		11.8						
			I_{M400}	2.6	4.5	3.8		5.7	5.9	10.2	4.5	7.5	6.6		
			P_N	1.10	1.80	1.60	2.50	2.80	2.80	4.70	1.45	2.80	2.50		
			J_M	4.12	4.12	7.42	7.42	7.42	10.72	10.72	8.22	8.22	14.32		
70.211	1324	1.83	M_2	365	284	675	537	503	915	745					
			c	3.5	4.1	1.9	2.4	2.5	1.4	1.6					
			$n_{2 \text{ Eck}}$	28	58	21	43	50	28	58					
			$n_{2 \text{ th}}$	28	58	21	43	50	28	58					
70.211	2061	1.83	M_2								612	496	1080		
			c									3.3	3.8	1.9	
			$n_{2 \text{ Eck}}$										21	51	21
			$n_{2 \text{ th}}$										21	51	21
78.750	1190	1.25	M_2	412	321	760	605	567	1030	838					
			c	2.8	3.3	1.6	2.0	2.0	1.2	1.3					
			$n_{2 \text{ Eck}}$	25	51	19	38	45	25	51					
			$n_{2 \text{ th}}$	25	51	19	38	45	25	51					
88.750	1341	1.21	M_2	465	362	856	682	639	1161	944					
			c	2.8	3.3	1.6	2.0	2.0	1.2	1.3					
			$n_{2 \text{ Eck}}$	22	46	17	34	40	22	46					
			$n_{2 \text{ th}}$	22	46	17	34	40	22	46					

M ... [Nm]
 n ... [r/min]
 J ... [kgcm²]

P ... [kW]
 I ... [A]
 i [-]
 c [-]

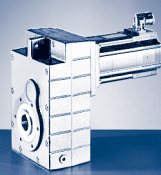


$M_{2GN} \leq 2767 \text{ Nm}$

14HC32	14LC15	14LC32	14PC14	14PC32	19FC14	19FC30	19JC14	19JC30	19PC14	19PC30	GFL09-2S			
...S00	...S00	...S00	...S00	...S00	...S00	...S00	...S00	...S00	...S00	...S00	M_1	J_G	M_{2GN}	i
14.00	23.00	17.20	30.00	21.00	27.00	21.00	40.00	29.00	51.00	32.00	n_1			
3225	1500	3225	1350	3225	1425	3000	1425	3000	1350	3000	I_{M230}			
											I_{M400}			
11.9	9.7	15.0	10.8	15.6	8.6	14.0	12.3	18.5	14.3	19.0	P_N			
4.70	3.60	5.80	4.20	7.10	4.00	6.60	6.00	9.10	7.20	10.00	J_M			
14.32	23.44	23.44	34.74	34.82	65.12	65.04	105.04	105.12	160.12	160.04	M_2 c			
											$n_{2 \text{ Eck}}$	1.83	1324	70.211
											$n_{2 \text{ th}}$			
943	1562	1163	2043	1425							M_2 c			
2.1	1.3	1.7	1.0	1.4							$n_{2 \text{ Eck}}$	1.83	2061	70.211
46	21	46	19	46							$n_{2 \text{ th}}$			
46	21	46	19	46							M_2 c			
											$n_{2 \text{ Eck}}$	1.25	1190	78.750
											$n_{2 \text{ th}}$			
											M_2 c			
											$n_{2 \text{ Eck}}$	1.21	1341	88.750
											$n_{2 \text{ th}}$			

M ... [Nm]
n ... [r/min]
J ... [kgcm²]

P ... [kW]
I ... [A]
i [-]
c [-]



GFL [Nm]

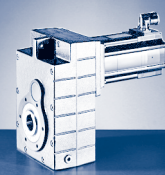
GFL□□-□S (MCS)

$M_{2GN} \leq 3170 \text{ Nm}$

GFL09-3S				06CC41	06FC41	06IC41	09DC41	09FC38	09HC41	09LC41	12DC20	12DC41	12HC15	
				...500	...500	...500	...500	...500	...500	...500	...500	...500	...500	
i	M_{2GN}	J_G	M_1	0.60	1.20	1.50	2.30	3.10	3.80	4.50	5.50	4.30	10.00	
			n_1	4050	4050	4050	4050	3750	4050	4050	1950	4050	1500	
			I_{M230}	2.6	2.9	3.2	4.6	5.0	6.8	8.4	5.2	8.8	7.6	
			I_{M400}	1.3	1.5	1.6	2.3	2.5	3.4	4.2	2.6	4.5	3.8	
			P_N	0.25	0.51	0.64	1.00	1.20	1.60	1.90	1.10	1.80	1.60	
			J_M	0.17	0.25	0.33	1.13	1.53	1.93	2.83	4.12	4.12	7.42	
63.326	1510	2.34	M_2						219	262	321	250	596	
			c						5.4	4.5	4.5	4.7	2.5	
			$n_{2 \text{ Eck}}$						64	64	31	64	24	
			$n_{2 \text{ th}}$						64	64	31	64	24	
73.173	1517	2.47	M_2						254	304	373	289	691	
			c						5.2	4.4	4.0	4.6	2.2	
			$n_{2 \text{ Eck}}$						55	55	27	55	21	
			$n_{2 \text{ th}}$						55	55	27	55	21	
82.465	1710	2.43	M_2						286	342	420	326	778	
			c						5.2	4.4	4.0	4.6	2.2	
			$n_{2 \text{ Eck}}$						49	49	24	49	18	
			$n_{2 \text{ th}}$						49	49	24	49	18	
93.333	1692	1.68	M_2					263	326	390	478	372	884	
			c					5.7	4.5	3.8	3.5	4.0	1.9	
			$n_{2 \text{ Eck}}$					40	43	43	21	43	16	
			$n_{2 \text{ th}}$					40	43	43	21	43	16	
105.185	1907	1.65	M_2					296	368	439	539	419	996	
			c					5.7	4.5	3.8	3.5	4.0	1.9	
			$n_{2 \text{ Eck}}$					36	39	39	19	39	14	
			$n_{2 \text{ th}}$					36	39	39	19	39	14	
114.333	1847	1.23	M_2					324	402	479	588	457	1085	
			c					5.1	4.0	3.4	3.1	3.6	1.7	
			$n_{2 \text{ Eck}}$					33	35	35	17	35	13	
			$n_{2 \text{ th}}$					33	35	35	17	35	13	
128.852	2082	1.21	M_2					366	453	540	663	515	1223	
			c					5.1	4.0	3.4	3.1	3.6	1.7	
			$n_{2 \text{ Eck}}$					29	31	31	15	31	12	
			$n_{2 \text{ th}}$					29	31	31	15	31	12	
148.815	2053	0.77	M_2				311	426	527	627	769	598	1416	
			c				5.7	4.3	3.4	2.9	2.6	3.0	1.4	
			$n_{2 \text{ Eck}}$				27	25	27	27	13	27	10	
			$n_{2 \text{ th}}$				27	25	27	27	13	27	10	
167.712	2314	0.76	M_2				351	480	594	707	867	674	1595	
			c				5.7	4.3	3.4	2.9	2.6	3.0	1.4	
			$n_{2 \text{ Eck}}$				24	22	24	24	12	24	9	
			$n_{2 \text{ th}}$				24	22	24	24	12	24	9	
185.111	1724	0.55	M_2			252								
			c			5.9								
			$n_{2 \text{ Eck}}$			22								
			$n_{2 \text{ th}}$			22								
185.111	2232	0.55	M_2				390	532	658	783	960	748	1764	
			c				5.0	3.8	3.0	2.5	2.3	2.7	1.3	
			$n_{2 \text{ Eck}}$				22	20	22	22	11	22	8	
			$n_{2 \text{ th}}$				22	20	22	22	11	22	8	
208.617	1943	0.54	M_2			284								
			c			5.9								
			$n_{2 \text{ Eck}}$			19								
			$n_{2 \text{ th}}$			19								
208.617	2515	0.54	M_2				440	600	742	883	1082	842	1988	
			c				5.0	3.8	3.0	2.5	2.3	2.7	1.3	
			$n_{2 \text{ Eck}}$				19	18	19	19	9	19	7	
			$n_{2 \text{ th}}$				19	18	19	19	9	19	7	

$M \dots$ [Nm]
 $n \dots$ [r/min]
 $J \dots$ [kgcm²]

$P \dots$ [kW]
 $I \dots$ [A]
 $i \dots$ [-]
 $c \dots$ [-]

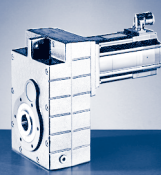


$M_{2GN} \leq 3170 \text{ Nm}$

12HC30	12HC35	12LC20	12LC41	14DC15	14DC36	14HC15	14HC32	14LC15	14LC32	14PC32	GFL09-3S			
...500	...500	...500	...500	...500	...500	...500	...500	...500	...500	...500	M_1	J_G	M_{2GN}	i
8.00	7.50	13.50	11.00	9.20	7.50	16.00	14.00	23.00	17.20	21.00	n_1			
3000	3525	1950	4050	1500	3600	1500	3225	1500	3225	3225	I_{M230}			
10.5		11.8									I_{M400}			
	5.7	5.9	10.2	4.5	7.5	6.6	11.9	9.7	15.0	15.6	P_N			
2.50	2.80	2.80	4.70	1.45	2.80	2.50	4.70	3.60	5.80	7.10	J_M			
7.42	7.42	10.72	10.72	8.22	8.22	14.32	14.32	23.44	23.44	34.82	M_2			
475	445	810	660	547	445	963	842	1391	1038	1270	c	2.34	1510	63.326
2.8	2.8	1.9	1.9	2.7	2.8	1.6	1.6	1.1	1.3	1.1	$n_{2 \text{ Eck}}$			
47	56	31	64	24	57	24	51	24	51	51	$n_{2 \text{ th}}$			
47	56	31	64	24	57	24	51	24	51	51				
549	515	938	763	634	515	1115	974		1200	1468	M_2	2.47	1517	73.173
2.7	2.7	1.6	1.8	2.4	2.7	1.4	1.5		1.2	1.0	c			
41	48	27	55	21	49	21	44		44	44	$n_{2 \text{ Eck}}$			
41	48	27	49	21	49	21	44		41	37	$n_{2 \text{ th}}$			
619	580	1057	860	715	580	1256	1097		1352	1655	M_2	2.43	1710	82.465
2.7	2.7	1.6	1.8	2.4	2.7	1.4	1.5		1.2	1.0	c			
36	43	24	49	18	44	18	39		39	39	$n_{2 \text{ Eck}}$			
36	43	24	44	18	44	18	39		36	33	$n_{2 \text{ th}}$			
703	659	1199	975	811	659	1424	1245		1533		M_2	1.68	1692	93.333
2.4	2.4	1.4	1.6	2.1	2.4	1.2	1.3		1.1		c			
32	38	21	43	16	39	16	35		35		$n_{2 \text{ Eck}}$			
32	38	21	41	16	38	16	35		35		$n_{2 \text{ th}}$			
793	743	1351	1099	915	743	1605	1403		1728		M_2	1.65	1907	105.185
2.4	2.4	1.4	1.6	2.1	2.4	1.2	1.3		1.1		c			
29	34	19	39	14	34	14	31		31		$n_{2 \text{ Eck}}$			
29	34	19	36	14	34	14	31		31		$n_{2 \text{ th}}$			
864	810	1471	1197	996	810	1747	1527				M_2	1.23	1847	114.333
2.1	2.1	1.3	1.4	1.8	2.1	1.1	1.2				c			
26	31	17	35	13	32	13	28				$n_{2 \text{ Eck}}$			
26	31	17	35	13	31	13	28				$n_{2 \text{ th}}$			
974	913	1658	1349	1123	913	1969	1721				M_2	1.21	2082	128.852
2.1	2.1	1.3	1.4	1.8	2.1	1.1	1.2				c			
23	27	15	31	12	28	12	25				$n_{2 \text{ Eck}}$			
23	27	15	31	12	28	12	25				$n_{2 \text{ th}}$			
1128	1057	1919	1561								M_2	0.77	2053	148.815
1.8	1.8	1.1	1.2								c			
20	24	13	27								$n_{2 \text{ Eck}}$			
20	24	13	27								$n_{2 \text{ th}}$			
1271	1192	2162	1760								M_2	0.76	2314	167.712
1.8	1.8	1.1	1.2								c			
18	21	12	24								$n_{2 \text{ Eck}}$			
18	21	12	24								$n_{2 \text{ th}}$			
											M_2	0.55	1724	185.111
											c			
											$n_{2 \text{ Eck}}$			
											$n_{2 \text{ th}}$			
1407	1319		1945								M_2	0.55	2232	185.111
1.6	1.6		1.0								c			
16	19		22								$n_{2 \text{ Eck}}$			
16	19		22								$n_{2 \text{ th}}$			
											M_2	0.54	1943	208.617
											c			
											$n_{2 \text{ Eck}}$			
											$n_{2 \text{ th}}$			
1585	1486		2192								M_2	0.54	2515	208.617
1.6	1.6		1.0								c			
14	17		19								$n_{2 \text{ Eck}}$			
14	17		19								$n_{2 \text{ th}}$			

$M \dots$ [Nm]
 $n \dots$ [r/min]
 $J \dots$ [kgcm²]

$P \dots$ [kW]
 $I \dots$ [A]
 $i [-]$
 $c [-]$



GFL [Nm]

GFL□□-□S (MCS)

$M_{2GN} \leq 3170 \text{ Nm}$

GFL09-3S				06CC41	06FC41	06IC41	09DC41	09FC38	09HC41	09LC41	12DC20	12DC41	12HC15
				...500	...500	...500	...500	...500	...500	...500	...500	...500	...500
i	M_{2GN}	J_G	M_1	0.60	1.20	1.50	2.30	3.10	3.80	4.50	5.50	4.30	10.00
			n_1	4050	4050	4050	4050	3750	4050	4050	1950	4050	1500
			I_{M230}	2.6	2.9	3.2	4.6	5.0	6.8	8.4	5.2	8.8	7.6
			I_{M400}	1.3	1.5	1.6	2.3	2.5	3.4	4.2	2.6	4.5	3.8
			P_N	0.25	0.51	0.64	1.00	1.20	1.60	1.90	1.10	1.80	1.60
			J_M	0.17	0.25	0.33	1.13	1.53	1.93	2.83	4.12	4.12	7.42
224.778	2093	0.51	M_2			306							
			c			5.9							
			n_2 Eck			18							
			n_2 th			18							
224.778	2407	0.51	M_2				476	650	802	954	1169	911	2145
			c				4.4	3.4	2.7	2.3	2.0	2.4	1.1
			n_2 Eck				18	17	18	18	9	18	7
			n_2 th				18	17	18	18	9	18	7
253.321	2359	0.50	M_2			345							
			c			5.9							
			n_2 Eck			16							
			n_2 th			16							
253.321	2712	0.50	M_2				537	732	904	1075	1317	1026	2418
			c				4.4	3.4	2.7	2.3	2.0	2.4	1.1
			n_2 Eck				16	15	16	16	8	16	6
			n_2 th				16	15	16	16	8	16	6
290.889	2172	0.31	M_2		317	401							
			c		5.9	4.7							
			n_2 Eck		14	14							
			n_2 th		14	14							
290.889	2640	0.31	M_2				621	845	1042	1239			
			c				3.7	2.8	2.3	1.9			
			n_2 Eck				14	13	14	14			
			n_2 th				14	13	14	14			
327.827	2447	0.31	M_2		357	452							
			c		5.9	4.7							
			n_2 Eck		12	12							
			n_2 th		12	12							
327.827	2976	0.31	M_2				700	952	1175	1396			
			c				3.7	2.8	2.3	1.9			
			n_2 Eck				12	11	12	12			
			n_2 th				12	11	12	12			
353.033	2197	0.23	M_2		388	491							
			c		4.9	3.9							
			n_2 Eck		12	12							
			n_2 th		11	11							
353.033	2813	0.23	M_2				757	1030	1269	1507			
			c				3.3	2.5	2.0	1.7			
			n_2 Eck				12	11	12	12			
			n_2 th				11	11	11	11			
397.863	2476	0.22	M_2		438	553							
			c		4.9	3.9							
			n_2 Eck		10	10							
			n_2 th		10	10							
397.863	3170	0.22	M_2				854	1160	1430	1699			
			c				3.3	2.5	2.0	1.7			
			n_2 Eck				10	9	10	10			
			n_2 th				10	9	10	10			
424.247	2724	0.29	M_2		466	589	916	1244	1531	1818			
			c		5.1	4.1	2.6	2.0	1.6	1.4			
			n_2 Eck		10	10	10	9	10	10			
			n_2 th		10	10	10	9	10	10			

$M \dots$ [Nm]
 $n \dots$ [r/min]
 $J \dots$ [kgcm²]

$P \dots$ [kW]
 $I \dots$ [A]
 $i \dots$ [-]
 $c \dots$ [-]

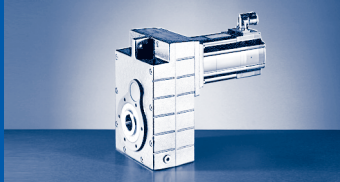


$M_{2GN} \leq 3170 \text{ Nm}$

12HC30	12HC35	12LC20	12LC41	14DC15	14DC36	14HC15	14HC32	14LC15	14LC32	14PC32	GFL09-3S			
...S00	...S00	...S00	...S00	...S00	...S00	...S00	...S00	...S00	...S00	...S00	M_1	J_G	M_{2GN}	i
8.00	7.50	13.50	11.00	9.20	7.50	16.00	14.00	23.00	17.20	21.00	n_1			
3000	3525	1950	4050	1500	3600	1500	3225	1500	3225	3225	I_{M230}			
10.5		11.8									I_{M400}			
	5.7	5.9	10.2	4.5	7.5	6.6	11.9	9.7	15.0	15.6	P_N			
2.50	2.80	2.80	4.70	1.45	2.80	2.50	4.70	3.60	5.80	7.10	J_M			
7.42	7.42	10.72	10.72	8.22	8.22	14.32	14.32	23.44	23.44	34.82	M_2			
											c	0.51	2093	224.778
											$n_{2 \text{ Eck}}$			
											$n_{2 \text{ th}}$			
1711	1604										M_2			
1.4	1.4										c	0.51	2407	224.778
13	16										$n_{2 \text{ Eck}}$			
13	16										$n_{2 \text{ th}}$			
											M_2			
											c	0.50	2359	253.321
											$n_{2 \text{ Eck}}$			
											$n_{2 \text{ th}}$			
1929	1808										M_2			
1.4	1.4										c	0.50	2712	253.321
12	14										$n_{2 \text{ Eck}}$			
12	14										$n_{2 \text{ th}}$			
											M_2			
											c	0.31	2172	290.889
											$n_{2 \text{ Eck}}$			
											$n_{2 \text{ th}}$			
											M_2			
											c	0.31	2640	290.889
											$n_{2 \text{ Eck}}$			
											$n_{2 \text{ th}}$			
											M_2			
											c	0.31	2447	327.827
											$n_{2 \text{ Eck}}$			
											$n_{2 \text{ th}}$			
											M_2			
											c	0.31	2976	327.827
											$n_{2 \text{ Eck}}$			
											$n_{2 \text{ th}}$			
											M_2			
											c	0.23	2197	353.033
											$n_{2 \text{ Eck}}$			
											$n_{2 \text{ th}}$			
											M_2			
											c	0.23	2813	353.033
											$n_{2 \text{ Eck}}$			
											$n_{2 \text{ th}}$			
											M_2			
											c	0.22	2476	397.863
											$n_{2 \text{ Eck}}$			
											$n_{2 \text{ th}}$			
											M_2			
											c	0.22	3170	397.863
											$n_{2 \text{ Eck}}$			
											$n_{2 \text{ th}}$			
											M_2			
											c	0.29	2724	424.247
											$n_{2 \text{ Eck}}$			
											$n_{2 \text{ th}}$			

M ... [Nm]
n ... [r/min]
J ... [kgcm²]

P ... [kW]
I ... [A]
i [-]
c [-]



GFL [Nm]

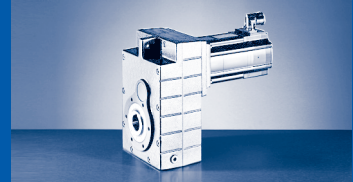
GFL□□-□S (MCS)

$M_{2GN} \leq 3170 \text{ Nm}$

GFL09-3S				06CC41	06FC41	06IC41	09DC41	09FC38	09HC41	09LC41	12DC20	12DC41	12HC15
				...500	...500	...500	...500	...500	...500	...500	...500	...500	...500
i	M_{2GN}	J_G	M_1	0.60	1.20	1.50	2.30	3.10	3.80	4.50	5.50	4.30	10.00
			n_1	4050	4050	4050	4050	3750	4050	4050	1950	4050	1500
			I_{M230}	2.6	2.9	3.2	4.6	5.0	6.8	8.4	5.2	8.8	7.6
			I_{M400}	1.3	1.5	1.6	2.3	2.5	3.4	4.2	2.6	4.5	3.8
			P_N	0.25	0.51	0.64	1.00	1.20	1.60	1.90	1.10	1.80	1.60
			J_M	0.17	0.25	0.33	1.13	1.53	1.93	2.83	4.12	4.12	7.42
514.881	2724	0.21	M_2		571	720	1118	1515	1864	2212			
			c		4.2	3.3	2.2	1.7	1.3	1.1			
			n_2 Eck		8	8	8	7	8	8			
			n_2 th		8	8	8	7	8	8			
554.470	2113	0.20	M_2		623	783	1211	1639					
			c		3.0	2.4	1.6	1.2					
			n_2 Eck		7	7	7	7					
			n_2 th		7	7	7	7					
624.879	2273	0.20	M_2	341	703	884	1366	1849					
			c	5.7	2.9	2.3	1.5	1.1					
			n_2 Eck	7	7	7	7	6					
			n_2 th	6	6	6	6	6					
700.875	2113	0.13	M_2	386	792	995							
			c	4.8	2.4	1.9							
			n_2 Eck	6	6	6							
			n_2 th	6	6	6							
789.875	2273	0.13	M_2	436	894	1123							
			c	4.5	2.3	1.8							
			n_2 Eck	5	5	5							
			n_2 th	5	5	5							

$M \dots$ [Nm]
 $n \dots$ [r/min]
 $J \dots$ [kgcm²]

$P \dots$ [kW]
 $I \dots$ [A]
 $i \dots$ [-]
 $c \dots$ [-]

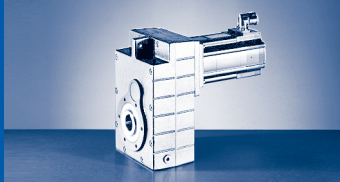


$M_{2GN} \leq 3170 \text{ Nm}$

12HC30	12HC35	12LC20	12LC41	14DC15	14DC36	14HC15	14HC32	14LC15	14LC32	14PC32	GFL09-3S			
...S00	...S00	...S00	...S00	...S00	...S00	...S00	...S00	...S00	...S00	...S00	M_1	J_G	M_{2GN}	i
8.00	7.50	13.50	11.00	9.20	7.50	16.00	14.00	23.00	17.20	21.00	n_1			
3000	3525	1950	4050	1500	3600	1500	3225	1500	3225	3225	I_{M230}			
10.5		11.8									I_{M400}			
	5.7	5.9	10.2	4.5	7.5	6.6	11.9	9.7	15.0	15.6	P_N			
2.50	2.80	2.80	4.70	1.45	2.80	2.50	4.70	3.60	5.80	7.10	J_M			
7.42	7.42	10.72	10.72	8.22	8.22	14.32	14.32	23.44	23.44	34.82	M_2			
											c	0.21	2724	514.881
											n_2 Eck			
											n_2 th			
											M_2	0.20	2113	554.470
											c			
											n_2 Eck			
											n_2 th	0.20	2273	624.879
											M_2			
											c	0.13	2113	700.875
											n_2 Eck			
											n_2 th			
											M_2			
											c	0.13	2273	789.875
											n_2 Eck			
											n_2 th			

M ... [Nm]
n ... [r/min]
J ... [kgcm²]

P ... [kW]
I ... [A]
i [-]
c [-]



GFL [Nm]

GFL□□-□S (MCS)

$M_{2GN} \leq 3833 \text{ Nm}$

GFL11-2S				14DC15	14DC36	14HC15	14HC32	14LC15	14LC32	14PC14
				...500	...500	...500	...500	...500	...500	...500
i	M_{2GN}	J_G	M_1	9.20	7.50	16.00	14.00	23.00	17.20	30.00
			n_1	1500	3600	1500	3225	1500	3225	1350
			I_{M400}	4.5	7.5	6.6	11.9	9.7	15.0	10.8
			P_N	1.45	2.80	2.50	4.70	3.60	5.80	4.20
			J_M	8.22	8.22	14.32	14.32	23.44	23.44	34.74
6.864	1502	124.00	M_2 c $n_{2 \text{ Eck}}$ $n_{2 \text{ th}}$							
7.466	1634	116.00	M_2 c $n_{2 \text{ Eck}}$ $n_{2 \text{ th}}$							
9.010	1663	79.60	M_2 c $n_{2 \text{ Eck}}$ $n_{2 \text{ th}}$							
9.799	1808	74.80	M_2 c $n_{2 \text{ Eck}}$ $n_{2 \text{ th}}$							
10.720	1872	65.00	M_2 c $n_{2 \text{ Eck}}$ $n_{2 \text{ th}}$							
12.480	2732	81.50	M_2 c $n_{2 \text{ Eck}}$ $n_{2 \text{ th}}$							
14.538	2683	58.40	M_2 c $n_{2 \text{ Eck}}$ $n_{2 \text{ th}}$							
15.904	2778	51.30	M_2 c $n_{2 \text{ Eck}}$ $n_{2 \text{ th}}$							
17.920	3130	48.30	M_2 c $n_{2 \text{ Eck}}$ $n_{2 \text{ th}}$							
20.286	1921	36.10	M_2 c $n_{2 \text{ Eck}}$ $n_{2 \text{ th}}$				263 5.4 159 115	438 4.2 74 74	327 4.4 159 111	577 3.3 67 67
20.286	2984	36.10	M_2 c $n_{2 \text{ Eck}}$ $n_{2 \text{ th}}$							
22.857	2165	34.30	M_2 c $n_{2 \text{ Eck}}$ $n_{2 \text{ th}}$				296 5.4 141 102	493 4.2 66 66	368 4.4 141 98	650 3.3 59 59
22.857	3362	34.30	M_2 c $n_{2 \text{ Eck}}$ $n_{2 \text{ th}}$							

$M \dots$ [Nm]
 $n \dots$ [r/min]
 $J \dots$ [kgcm²]

$P \dots$ [kW]
 $I \dots$ [A]
 i [-]
 c [-]

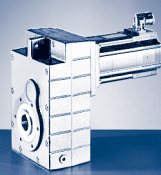


$M_{2GN} \leq 3833 \text{ Nm}$

14PC32	19FC14	19FC30	19JC14	19JC30	19PC14	19PC30	GFL11-2S			
...500	...500	...500	...500	...500	...500	...500	M_1	J_G	M_{2GN}	i
21.00	27.00	21.00	40.00	29.00	51.00	32.00	n_1			
3225	1425	3000	1425	3000	1350	3000	I_{M400}			
15.6	8.6	14.0	12.3	18.5	14.3	19.0	P_N			
7.10	4.00	6.60	6.00	9.10	7.20	10.00	J_M			
34.82	65.12	65.04	105.04	105.12	160.12	160.04	M_2			
			254		328	203	c			
			5.6		4.4	5.6	$n_{2 \text{ Eck}}$	124.00	1502	6.864
			208		197	437	$n_{2 \text{ th}}$			
			208		197	253				
			276		356	221	M_2			
			5.6		4.4	5.6	c	116.00	1634	7.466
			191		181	402	$n_{2 \text{ Eck}}$			
			191		181	233	$n_{2 \text{ th}}$			
			336	243	433	269	M_2			
			4.8	5.2	3.7	4.7	c	79.60	1663	9.010
			158	333	150	333	$n_{2 \text{ Eck}}$			
			158	221	150	216	$n_{2 \text{ th}}$			
			366	264	471	293	M_2			
			4.8	5.2	3.7	4.7	c	74.80	1808	9.799
			145	306	138	306	$n_{2 \text{ Eck}}$			
			145	203	138	199	$n_{2 \text{ th}}$			
			401	289	517	321	M_2			
			4.5	4.9	3.5	4.5	c	65.00	1872	10.720
			133	280	126	280	$n_{2 \text{ Eck}}$			
			133	189	126	185	$n_{2 \text{ th}}$			
			461		596	369	M_2			
			5.6		4.4	5.6	c	81.50	2732	12.480
			114		108	240	$n_{2 \text{ Eck}}$			
			114		108	139	$n_{2 \text{ th}}$			
			542	391	699	434	M_2			
			4.8	5.2	3.7	4.7	c	58.40	2683	14.538
			98	206	93	206	$n_{2 \text{ Eck}}$			
			98	137	93	134	$n_{2 \text{ th}}$			
			595	429	766	476	M_2			
			4.5	4.9	3.5	4.5	c	51.30	2778	15.904
			90	189	85	189	$n_{2 \text{ Eck}}$			
			90	127	85	125	$n_{2 \text{ th}}$			
			670	484	864	536	M_2			
			4.5	4.9	3.5	4.5	c	48.30	3130	17.920
			80	167	75	167	$n_{2 \text{ Eck}}$			
			80	113	75	111	$n_{2 \text{ th}}$			
402							M_2			
3.6							c	36.10	1921	20.286
159							$n_{2 \text{ Eck}}$			
106							$n_{2 \text{ th}}$			
	506	393	765	552	983	612	M_2			
	5.6	5.7	3.8	4.2	3.0	3.8	c	36.10	2984	20.286
	70	148	70	148	67	148	$n_{2 \text{ Eck}}$			
	70	109	70	109	67	107	$n_{2 \text{ th}}$			
453							M_2			
3.6							c	34.30	2165	22.857
141							$n_{2 \text{ Eck}}$			
94							$n_{2 \text{ th}}$			
	570	443	862	622	1108	689	M_2			
	5.6	5.7	3.8	4.2	3.0	3.8	c	34.30	3362	22.857
	62	131	62	131	59	131	$n_{2 \text{ Eck}}$			
	62	97	62	97	59	95	$n_{2 \text{ th}}$			

M ... [Nm]
n ... [r/min]
J ... [kgcm²]

P ... [kW]
I ... [A]
i [-]
c [-]



GFL [Nm]

GFL□□-□S (MCS)

$M_{2GN} \leq 3833 \text{ Nm}$

GFL11-2S				14DC15	14DC36	14HC15	14HC32	14LC15	14LC32	14PC14
				...500	...500	...500	...500	...500	...500	...500
i	M_{2GN}	J_G	M_1	9.20	7.50	16.00	14.00	23.00	17.20	30.00
			n_1	1500	3600	1500	3225	1500	3225	1350
			I_{M400}	4.5	7.5	6.6	11.9	9.7	15.0	10.8
			P_N	1.45	2.80	2.50	4.70	3.60	5.80	4.20
			J_M	8.22	8.22	14.32	14.32	23.44	23.44	34.74
24.850	3142	26.90	M_2 c $n_{2 \text{ Eck}}$ $n_{2 \text{ th}}$							
28.000	3540	25.70	M_2 c $n_{2 \text{ Eck}}$ $n_{2 \text{ th}}$							
32.739	2135	17.10	M_2 c $n_{2 \text{ Eck}}$ $n_{2 \text{ th}}$			491 4.2 46 46	430 4.2 99 91	716 2.9 46 46	533 3.4 99 88	941 2.2 41 41
32.739	3319	17.10	M_2 c $n_{2 \text{ Eck}}$ $n_{2 \text{ th}}$							
36.889	2406	16.50	M_2 c $n_{2 \text{ Eck}}$ $n_{2 \text{ th}}$			554 4.2 41 41	484 4.2 87 81	807 2.9 41 41	600 3.4 87 78	1060 2.2 37 37
36.889	3740	16.50	M_2 c $n_{2 \text{ Eck}}$ $n_{2 \text{ th}}$							
40.233	2189	12.60	M_2 c $n_{2 \text{ Eck}}$ $n_{2 \text{ th}}$			608 3.5 37 37	532 3.5 80 80	885 2.4 37 37	658 2.9 80 80	1161 1.9 34 34
40.233	3402	12.60	M_2 c $n_{2 \text{ Eck}}$ $n_{2 \text{ th}}$							
45.333	2467	12.20	M_2 c $n_{2 \text{ Eck}}$ $n_{2 \text{ th}}$			686 3.5 33 33	600 3.5 71 71	997 2.4 33 33	742 2.9 71 71	1308 1.9 30 30
45.333	3833	12.20	M_2 c $n_{2 \text{ Eck}}$ $n_{2 \text{ th}}$							
52.067	2270	8.08	M_2 c $n_{2 \text{ Eck}}$ $n_{2 \text{ th}}$	446 4.9 29 29	363 5.1 69 69	793 2.8 29 29	694 2.8 62 62	1150 2.0 29 29	857 2.3 62 62	1508 1.5 26 26
58.667	2557	7.81	M_2 c $n_{2 \text{ Eck}}$ $n_{2 \text{ th}}$	503 4.9 26 26	409 5.1 61 61	894 2.8 26 26	782 2.8 55 55	1296 2.0 26 26	966 2.3 55 55	1699 1.5 23 23
63.190	2297	5.90	M_2 c $n_{2 \text{ Eck}}$ $n_{2 \text{ th}}$	546 4.1 24 24	444 4.2 57 57	967 2.3 24 24	846 2.4 51 51	1401 1.6 24 24	1045 1.9 51 51	1835 1.3 21 21

$M \dots$ [Nm]
 $n \dots$ [r/min]
 $J \dots$ [kgcm²]

$P \dots$ [kW]
 $I \dots$ [A]
 i [-]
 c [-]

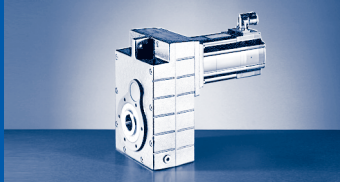


$M_{2GN} \leq 3833 \text{ Nm}$

14PC32	19FC14	19FC30	19JC14	19JC30	19PC14	19PC30	GFL11-2S			
...500	...500	...500	...500	...500	...500	...500	M_1	J_G	M_{2GN}	i
21.00	27.00	21.00	40.00	29.00	51.00	32.00	n_1			
3225	1425	3000	1425	3000	1350	3000	I_{M400}			
15.6	8.6	14.0	12.3	18.5	14.3	19.0	P_N			
7.10	4.00	6.60	6.00	9.10	7.20	10.00	J_M			
34.82	65.12	65.04	105.04	105.12	160.12	160.04	M_2			
	625	482	942	677	1210	750	c	26.90	3142	24.850
	4.8	5.6	3.3	4.1	2.6	3.7	$n_{2 \text{ Eck}}$			
	57	121	57	121	54	121	$n_{2 \text{ th}}$			
	57	89	57	89	54	89				
	705	543	1061	763	1363	845	M_2	25.70	3540	28.000
	4.8	5.6	3.3	4.1	2.6	3.7	c			
	51	107	51	107	48	107	$n_{2 \text{ Eck}}$			
	51	79	51	79	48	79	$n_{2 \text{ th}}$			
655							M_2	17.10	2135	32.739
2.8							c			
99							$n_{2 \text{ Eck}}$			
84							$n_{2 \text{ th}}$			
	832	643	1249	900	1602	996	M_2	17.10	3319	32.739
	3.9	4.5	2.6	3.3	2.1	3.0	c			
	44	92	44	92	41	92	$n_{2 \text{ Eck}}$			
	44	68	44	68	41	68	$n_{2 \text{ th}}$			
738							M_2	16.50	2406	36.889
2.8							c			
87							$n_{2 \text{ Eck}}$			
75							$n_{2 \text{ th}}$			
	938	725	1408	1014	1806	1122	M_2	16.50	3740	36.889
	3.9	4.5	2.6	3.3	2.1	3.0	c			
	39	81	39	81	37	81	$n_{2 \text{ Eck}}$			
	39	60	39	60	37	60	$n_{2 \text{ th}}$			
808							M_2	12.60	2189	40.233
2.4							c			
80							$n_{2 \text{ Eck}}$			
77							$n_{2 \text{ th}}$			
	1030	797	1542	1112	1976	1230	M_2	12.60	3402	40.233
	3.2	3.7	2.2	2.7	1.7	2.5	c			
	35	75	35	75	34	75	$n_{2 \text{ Eck}}$			
	35	55	35	55	34	55	$n_{2 \text{ th}}$			
911							M_2	12.20	2467	45.333
2.4							c			
71							$n_{2 \text{ Eck}}$			
68							$n_{2 \text{ th}}$			
	1160	898	1738	1253	2227	1386	M_2	12.20	3833	45.333
	3.2	3.7	2.2	2.7	1.7	2.5	c			
	31	66	31	66	30	66	$n_{2 \text{ Eck}}$			
	31	49	31	49	30	49	$n_{2 \text{ th}}$			
1051							M_2	8.08	2270	52.067
1.9							c			
62							$n_{2 \text{ Eck}}$			
62							$n_{2 \text{ th}}$			
1184							M_2	7.81	2557	58.667
1.9							c			
55							$n_{2 \text{ Eck}}$			
55							$n_{2 \text{ th}}$			
1280							M_2	5.90	2297	63.190
1.6							c			
51							$n_{2 \text{ Eck}}$			
51							$n_{2 \text{ th}}$			

M ... [Nm]
n ... [r/min]
J ... [kgcm²]

P ... [kW]
I ... [A]
i [-]
c [-]



GFL [Nm]

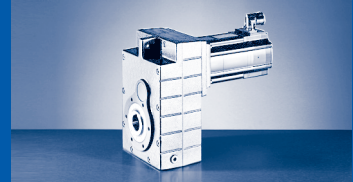
GFL□□-□S (MCS)

$M_{2GN} \leq 3833 \text{ Nm}$

GFL11-2S				14DC15	14DC36	14HC15	14HC32	14LC15	14LC32	14PC14
				...500	...500	...500	...500	...500	...500	...500
i	M_{2GN}	J_G	M_1	9.20	7.50	16.00	14.00	23.00	17.20	30.00
			n_1	1500	3600	1500	3225	1500	3225	1350
			I_{M400}	4.5	7.5	6.6	11.9	9.7	15.0	10.8
			P_N	1.45	2.80	2.50	4.70	3.60	5.80	4.20
			J_M	8.22	8.22	14.32	14.32	23.44	23.44	34.74
71.200	2588	5.72	M_2	615	498	1090	951	1579	1174	2067
			c	4.1	4.7	2.3	2.6	1.6	2.1	1.3
			$n_{2 \text{ Eck}}$	21	51	21	45	21	45	19
			$n_{2 \text{ th}}$	21	50	21	45	21	45	19
			M_2	696	565	1229	1073	1777	1323	2325
79.875	2325	3.87	c	3.3	3.8	1.9	2.1	1.3	1.7	1.0
			$n_{2 \text{ Eck}}$	19	45	19	40	19	40	17
			$n_{2 \text{ th}}$	19	45	19	40	19	40	17
			M_2	785	636	1385	1209	2002	1491	2620
			c	3.3	3.8	1.9	2.1	1.3	1.7	1.0
90.000	2620	3.76	$n_{2 \text{ Eck}}$	17	40	17	36	17	36	15
			$n_{2 \text{ th}}$	17	40	17	36	17	36	15

M ... [Nm]
 n ... [r/min]
 J ... [kgcm²]

P ... [kW]
 I ... [A]
 i [-]
 c [-]

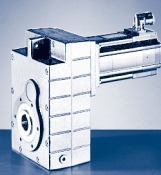


$M_{2GN} \leq 3833 \text{ Nm}$

14PC32	19FC14	19FC30	19JC14	19JC30	19PC14	19PC30	GFL11-2S			
...500	...500	...500	...500	...500	...500	...500	M_1	J_G	M_{2GN}	i
21.00	27.00	21.00	40.00	29.00	51.00	32.00	n_1			
3225	1425	3000	1425	3000	1350	3000	I_{M400}			
15.6	8.6	14.0	12.3	18.5	14.3	19.0	P_N			
7.10	4.00	6.60	6.00	9.10	7.20	10.00	J_M			
34.82	65.12	65.04	105.04	105.12	160.12	160.04	M_2			
1440							c			
1.7							$n_{2 \text{ Eck}}$	5.72	2588	71.200
45							$n_{2 \text{ th}}$			
45							M_2			
1621							c			
1.4							$n_{2 \text{ Eck}}$	3.87	2325	79.875
40							$n_{2 \text{ th}}$			
40							M_2			
1826							c			
1.4							$n_{2 \text{ Eck}}$	3.76	2620	90.000
36							$n_{2 \text{ th}}$			
36										

M ... [Nm]
n ... [r/min]
J ... [kgcm²]

P ... [kW]
I ... [A]
i [-]
c [-]



GFL [Nm]

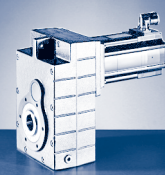
GFL□□-□S (MCS)

$M_{2GN} \leq 5950 \text{ Nm}$

GFL11-3S				09DC41	09FC38	09HC41	09LC41	12DC20	12DC41	12HC15	12HC30	12HC35	12LC20	12LC41	14DC15	
				...500	...500	...500	...500	...500	...500	...500	...500	...500	...500	...500	...500	
i	M_{2GN}	J_G	M_1	2.30	3.10	3.80	4.50	5.50	4.30	10.00	8.00	7.50	13.50	11.00	9.20	
			n_1	4050	3750	4050	4050	1950	4050	1500	3000	3525	1950	4050	1500	
			I_{M230}	4.6	5.0	6.8	8.4	5.2	8.8	7.6	10.5		11.8			
			I_{M400}	2.3	2.5	3.4	4.2	2.6	4.5	3.8		5.7	5.9	10.2	4.5	
			P_N	1.00	1.20	1.60	1.90	1.10	1.80	1.60	2.50	2.80	2.80	4.70	1.45	
			J_M	1.13	1.53	1.93	2.83	4.12	4.12	7.42	7.42	7.42	10.72	10.72	8.22	
65.306	2503	6.97	M_2													
			c							604	478	448	825	670		
			$n_{2 \text{ Eck}}$							4.0	5.0	5.1	3.0	3.3		
			$n_{2 \text{ th}}$							23	46	54	30	62		
65.306	2891	6.97	M_2												550	
			c												5.0	
			$n_{2 \text{ Eck}}$													23
			$n_{2 \text{ th}}$													23
73.335	2875	7.84	M_2							678	536	503	926	752	621	
			c							4.1	5.1	5.2	3.0	3.4	4.5	
			$n_{2 \text{ Eck}}$							21	41	48	27	55	21	
			$n_{2 \text{ th}}$							20	41	48	27	48	20	
82.631	3240	7.71	M_2							764	604	566	1043	847	700	
			c							4.1	5.1	5.2	3.0	3.4	4.5	
			$n_{2 \text{ Eck}}$							18	36	43	24	49	18	
			$n_{2 \text{ th}}$							18	36	43	24	43	18	
93.540	3206	5.05	M_2							870	689	646	1186	963	797	
			c							3.6	4.5	4.5	2.7	3.0	3.9	
			$n_{2 \text{ Eck}}$							16	32	38	21	43	16	
			$n_{2 \text{ th}}$							16	32	38	21	43	16	
105.397	3613	4.97	M_2							980	776	728	1336	1085	899	
			c							3.6	4.5	4.5	2.7	3.0	3.9	
			$n_{2 \text{ Eck}}$							14	29	34	19	38	14	
			$n_{2 \text{ th}}$							14	28	33	19	38	14	
114.586	3501	3.71	M_2					572		1070	849	795	1457	1184	981	
			c					5.8		3.2	4.0	4.0	2.4	2.6	3.5	
			$n_{2 \text{ Eck}}$					17		13	26	31	17	35	13	
			$n_{2 \text{ th}}$					17		13	26	31	17	35	13	
129.111	3945	3.66	M_2					644		1206	956	896	1642	1334	1106	
			c					5.8		3.2	4.0	4.0	2.4	2.6	3.5	
			$n_{2 \text{ Eck}}$					15		12	23	27	15	31	12	
			$n_{2 \text{ th}}$					15		12	23	27	15	31	12	
149.144	3063	2.30	M_2			518	619									
			c			5.1	4.3									
			$n_{2 \text{ Eck}}$			27	27									
			$n_{2 \text{ th}}$			27	27									
149.144	3894	2.30	M_2					751	582	1399	1111	1042	1904	1547	1284	
			c					5.0	5.8	2.7	3.4	3.5	2.0	2.3	3.0	
			$n_{2 \text{ Eck}}$					13	27	10	20	24	13	27	10	
			$n_{2 \text{ th}}$					13	27	10	20	24	13	27	10	
168.049	3451	2.27	M_2			584	698									
			c			5.1	4.3									
			$n_{2 \text{ Eck}}$			24	24									
			$n_{2 \text{ th}}$			24	24									
168.049	4387	2.27	M_2					847	656	1577	1252	1174	2145	1744	1447	
			c					5.0	5.8	2.7	3.4	3.5	2.0	2.3	3.0	
			$n_{2 \text{ Eck}}$					12	24	9	18	21	12	24	9	
			$n_{2 \text{ th}}$					12	24	9	18	21	12	24	9	
182.792	3211	1.66	M_2		516	640	764									
			c		5.5	4.4	3.7									
			$n_{2 \text{ Eck}}$		21	22	22									
			$n_{2 \text{ th}}$		21	22	22									

$M \dots$ [Nm]
 $n \dots$ [r/min]
 $J \dots$ [kgcm²]

$P \dots$ [kW]
 $I \dots$ [A]
 $i \dots$ [-]
 $c \dots$ [-]

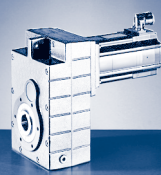


$M_{2GN} \leq 5950 \text{ Nm}$

14DC36	14HC15	14HC32	14LC15	14LC32	14PC14	14PC32	19FC14	19FC30	19JC14	19JC30	19PC30	GFL11-3S			
...500	...500	...500	...500	...500	...500	...500	...500	...500	...500	...500	...500	M_1	J_G	M_{2GN}	i
7.50	16.00	14.00	23.00	17.20	30.00	21.00	27.00	21.00	40.00	29.00	32.00	n_1			
3600	1500	3225	1500	3225	1350	3225	1425	3000	1425	3000	3000	I_{M230}			
7.5	6.6	11.9	9.7	15.0	10.8	15.6	8.6	14.0	12.3	18.5	19.0	I_{M400}			
2.80	2.50	4.70	3.60	5.80	4.20	7.10	4.00	6.60	6.00	9.10	10.00	P_N			
8.22	14.32	14.32	23.44	23.44	34.74	34.82	65.12	65.04	105.04	105.12	160.04	J_M			
												M_2			
												c	6.97	2503	65.306
												n_2 Eck			
												n_2 th			
445	979	853	1420	1055	1862	1295						M_2			
5.8	2.9	3.2	2.0	2.6	1.5	2.2						c	6.97	2891	65.306
55	23	49	23	49	21	49						n_2 Eck			
55	23	49	23	49	21	49						n_2 th			
503	1103	962	1599	1189	2094	1458	1882	1457	2803	2024	2236	M_2			
5.2	2.6	2.9	1.8	2.3	1.4	1.9	1.5	2.0	1.0	1.4	1.3	c	7.84	2875	73.335
49	21	44	21	44	18	44	19	41	19	41	41	n_2 Eck			
49	20	44	20	44	18	42	19	30	19	30	30	n_2 th			
567	1243	1084	1801	1339	2360	1643	2121	1642	3158	2280	2520	M_2			
5.2	2.6	2.9	1.8	2.3	1.4	1.9	1.5	2.0	1.0	1.4	1.3	c	7.71	3240	82.631
44	18	39	18	39	16	39	17	36	17	36	36	n_2 Eck			
43	18	39	18	39	16	37	17	27	17	27	27	n_2 th			
646	1412	1232	2044	1521	2676	1864						M_2			
4.5	2.2	2.5	1.6	2.0	1.2	1.7						c	5.05	3206	93.540
39	16	35	16	35	14	35						n_2 Eck			
38	16	34	16	34	14	34						n_2 th			
728	1591	1388	2303	1714	3016	2100						M_2			
4.5	2.2	2.5	1.6	2.0	1.2	1.7						c	4.97	3613	105.397
34	14	31	14	31	13	31						n_2 Eck			
34	14	31	14	31	13	31						n_2 th			
795	1734	1513	2508	1867	3283	2288						M_2			
4.0	2.0	2.2	1.4	1.8	1.1	1.5						c	3.71	3501	114.586
31	13	28	13	28	12	28						n_2 Eck			
31	13	28	13	28	12	28						n_2 th			
896	1954	1705	2826	2104	3699	2578						M_2			
4.0	2.0	2.2	1.4	1.8	1.1	1.5						c	3.66	3945	129.111
28	12	25	12	25	11	25						n_2 Eck			
28	12	25	12	25	10	25						n_2 th			
												M_2			
												c	2.30	3063	149.144
												n_2 Eck			
												n_2 th			
1042	2264	1977	3272	2437		2985						M_2			
3.4	1.7	1.9	1.2	1.6		1.3						c	2.30	3894	149.144
24	10	22	10	22		22						n_2 Eck			
24	10	22	10	22		22						n_2 th			
												M_2			
												c	2.27	3451	168.049
												n_2 Eck			
												n_2 th			
1174	2551	2227	3687	2746		3363						M_2			
3.4	1.7	1.9	1.2	1.6		1.3						c	2.27	4387	168.049
21	9	19	9	19		19						n_2 Eck			
21	9	19	9	19		19						n_2 th			
												M_2			
												c	1.66	3211	182.792
												n_2 Eck			
												n_2 th			

$M \dots$ [Nm]
 $n \dots$ [r/min]
 $J \dots$ [kgcm²]

$P \dots$ [kW]
 $I \dots$ [A]
 $i [-]$
 $c [-]$



GFL [Nm]

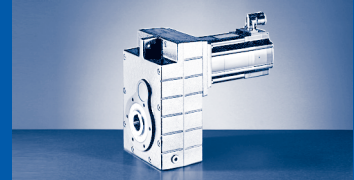
GFL□□-□S (MCS)

$M_{2GN} \leq 5950 \text{ Nm}$

GFL11-3S				09DC41	09FC38	09HC41	09LC41	12DC20	12DC41	12HC15	12HC30	12HC35	12LC20	12LC41	14DC15
				...500	...500	...500	...500	...500	...500	...500	...500	...500	...500	...500	...500
i	M_{2GN}	J_G	M_1	2.30	3.10	3.80	4.50	5.50	4.30	10.00	8.00	7.50	13.50	11.00	9.20
			n_1	4050	3750	4050	4050	1950	4050	1500	3000	3525	1950	4050	1500
			I_{M230}	4.6	5.0	6.8	8.4	5.2	8.8	7.6	10.5		11.8		
			I_{M400}	2.3	2.5	3.4	4.2	2.6	4.5	3.8		5.7	5.9	10.2	4.5
			P_N	1.00	1.20	1.60	1.90	1.10	1.80	1.60	2.50	2.80	2.80	4.70	1.45
			J_M	1.13	1.53	1.93	2.83	4.12	4.12	7.42	7.42	7.42	10.72	10.72	8.22
182.792	4131	1.66	M_2					928	720	1722	1369	1283	2340	1903	
			c					4.3	5.0	2.4	3.0	3.0	1.8	2.0	
			$n_{2 \text{ Eck}}$					11	22	8	16	19	11	22	
			$n_{2 \text{ th}}$					11	22	8	16	19	11	22	
182.792	4233	1.66	M_2												1580
			c												2.6
			$n_{2 \text{ Eck}}$												8
			$n_{2 \text{ th}}$												8
205.963	3618	1.64	M_2		581	722	861								
			c		5.5	4.4	3.7								
			$n_{2 \text{ Eck}}$		18	20	20								
			$n_{2 \text{ th}}$		18	20	20								
205.963	4655	1.64	M_2					1045	811	1940	1542	1446	2636	2144	
			c					4.3	5.0	2.4	3.0	3.0	1.8	2.0	
			$n_{2 \text{ Eck}}$					10	20	7	15	17	10	20	
			$n_{2 \text{ th}}$					9	20	7	15	17	9	20	
205.963	4769	1.64	M_2												1780
			c												2.6
			$n_{2 \text{ Eck}}$												7
			$n_{2 \text{ th}}$												7
224.636	3946	1.52	M_2		634	787	939								
			c		5.5	4.4	3.7								
			$n_{2 \text{ Eck}}$		17	18	18								
			$n_{2 \text{ th}}$		17	18	18								
224.636	4523	1.52	M_2					1146	890	2122	1688	1582	2881	2343	1948
			c					3.8	4.4	2.1	2.6	2.7	1.6	1.7	2.3
			$n_{2 \text{ Eck}}$					9	18	7	13	16	9	18	7
			$n_{2 \text{ th}}$					9	18	7	13	16	9	18	7
253.111	4446	1.50	M_2		715	887	1058								
			c		5.5	4.4	3.7								
			$n_{2 \text{ Eck}}$		15	16	16								
			$n_{2 \text{ th}}$		15	16	16								
253.111	5097	1.50	M_2					1291	1003	2391	1902	1783	3246	2640	2195
			c					3.8	4.4	2.1	2.6	2.7	1.6	1.7	2.3
			$n_{2 \text{ Eck}}$					8	16	6	12	14	8	16	6
			$n_{2 \text{ th}}$					8	16	6	12	14	8	16	6
267.259	5106	1.87	M_2		750	932	1113	1366	1061	2527	2011	1885	3431	2791	2321
			c		6.0	4.8	4.0	3.6	4.2	2.0	2.5	2.5	1.5	1.6	2.2
			$n_{2 \text{ Eck}}$		14	15	15	7	15	6	11	13	7	15	6
			$n_{2 \text{ th}}$		14	15	15	7	15	6	11	13	7	15	6
327.556	5523	1.37	M_2		927	1150	1371	1682	1308	3105	2473	2318	4212	3427	2852
			c		5.3	4.2	3.6	3.2	3.7	1.8	2.2	2.2	1.3	1.5	1.9
			$n_{2 \text{ Eck}}$		12	12	12	6	12	5	9	11	6	12	5
			$n_{2 \text{ th}}$		11	12	12	6	12	5	9	11	6	12	5
358.077	4103	0.68	M_2	756	1032	1275	1517								
			c	4.7	3.6	2.9	2.4								
			$n_{2 \text{ Eck}}$	11	11	11	11								
			$n_{2 \text{ th}}$	11	10	11	11								
358.077	5280	0.68	M_2					1847	1437	3403	2711	2541	4613	3754	
			c					2.8	3.3	1.5	1.9	2.0	1.1	1.3	
			$n_{2 \text{ Eck}}$					6	11	4	8	10	6	11	
			$n_{2 \text{ th}}$					5	11	4	8	10	5	11	

$M \dots$ [Nm]
 $n \dots$ [r/min]
 $J \dots$ [kgcm²]

$P \dots$ [kW]
 $I \dots$ [A]
 $i \dots$ [-]
 $c \dots$ [-]

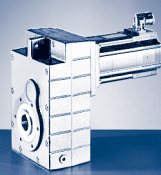


$M_{2GN} \leq 5950 \text{ Nm}$

14DC36	14HC15	14HC32	14LC15	14LC32	14PC14	14PC32	19FC14	19FC30	19JC14	19JC30	19PC30	GFL11-3S			
...500	...500	...500	...500	...500	...500	...500	...500	...500	...500	...500	...500	M_1	J_G	M_{2GN}	i
7.50	16.00	14.00	23.00	17.20	30.00	21.00	27.00	21.00	40.00	29.00	32.00	n_1			
3600	1500	3225	1500	3225	1350	3225	1425	3000	1425	3000	3000	I_{M230}			
7.5	6.6	11.9	9.7	15.0	10.8	15.6	8.6	14.0	12.3	18.5	19.0	I_{M400}			
2.80	2.50	4.70	3.60	5.80	4.20	7.10	4.00	6.60	6.00	9.10	10.00	P_N			
8.22	14.32	14.32	23.44	23.44	34.74	34.82	65.12	65.04	105.04	105.12	160.04	J_M			
												M_2 c			
												n_2 Eck	1.66	4131	182.792
												n_2 th			
1282	2780	2428	4016	2993		3664						M_2 c			
3.0	1.5	1.7	1.1	1.4		1.1						n_2 Eck	1.66	4233	182.792
20	8	18	8	18		18						n_2 th			
20	8	18	8	18		18						M_2 c			
												n_2 Eck	1.64	3618	205.963
												n_2 th			
												M_2 c			
												n_2 Eck	1.64	4655	205.963
												n_2 th			
1445	3132	2736	4525	3372		4128						M_2 c			
3.0	1.5	1.7	1.1	1.4		1.1						n_2 Eck	1.64	4769	205.963
18	7	16	7	16		16						n_2 th			
17	7	16	7	16		16						M_2 c			
												n_2 Eck	1.52	3946	224.636
												n_2 th			
1582	3423	2991		3685								M_2 c			
2.6	1.3	1.5		1.2								n_2 Eck	1.52	4523	224.636
16	7	14		14								n_2 th			
16	7	14		14								M_2 c			
												n_2 Eck	1.50	4446	253.111
												n_2 th			
1783	3857	3370		4152								M_2 c			
2.6	1.3	1.5		1.2								n_2 Eck	1.50	5097	253.111
14	6	13		13								n_2 th			
14	6	13		13								M_2 c			
1885	4076	3561		4387								n_2 Eck	1.87	5106	267.259
2.5	1.3	1.4		1.1								n_2 th			
14	6	12		12								M_2 c			
13	6	12		12								n_2 Eck	1.37	5523	327.556
2318	5003	4372		5384								n_2 th			
2.2	1.1	1.2		1.0								M_2 c			
11	5	10		10								n_2 Eck	0.68	4103	358.077
11	5	10		10								n_2 th			
												M_2 c			
												n_2 Eck	0.68	5280	358.077
												n_2 th			

$M \dots$ [Nm]
 $n \dots$ [r/min]
 $J \dots$ [kgcm²]

$P \dots$ [kW]
 $I \dots$ [A]
 i [-]
 c [-]



GFL [Nm]

GFL□□-□S (MCS)

$M_{2GN} \leq 5950 \text{ Nm}$

GFL11-3S				09DC41	09FC38	09HC41	09LC41	12DC20	12DC41	12HC15	12HC30	12HC35	12LC20	12LC41	14DC15			
				...500	...500	...500	...500	...500	...500	...500	...500	...500	...500	...500	...500			
i	M_{2GN}	J_G	M_1	2.30	3.10	3.80	4.50	5.50	4.30	10.00	8.00	7.50	13.50	11.00	9.20			
			n_1	4050	3750	4050	4050	1950	4050	1500	3000	3525	1950	4050	1500			
			I_{M230}	4.6	5.0	6.8	8.4	5.2	8.8	7.6	10.5		11.8					
			I_{M400}	2.3	2.5	3.4	4.2	2.6	4.5	3.8		5.7	5.9	10.2	4.5			
			P_N	1.00	1.20	1.60	1.90	1.10	1.80	1.60	2.50	2.80	2.80	4.70	1.45			
			J_M	1.13	1.53	1.93	2.83	4.12	4.12	7.42	7.42	7.42	10.72	10.72	8.22			
403.467	4623	0.67	M_2	852	1163	1437	1710											
			c	4.7	3.6	2.9	2.4											
			$n_{2 \text{ Eck}}$	10	9	10	10											
			$n_{2 \text{ th}}$	10	9	10	10											
403.467	5950	0.67	M_2					2081	1619	3834	3055	2863	5198	4229				
			c					2.8	3.3	1.5	1.9	2.0	1.1	1.3				
			$n_{2 \text{ Eck}}$					5	10	4	7	9	5	10				
			$n_{2 \text{ th}}$					5	10	4	7	9	5	10				
430.222	5912	0.85	M_2	900	1230	1523	1814											
			c	5.7	4.3	3.4	2.9											
			$n_{2 \text{ Eck}}$	9	9	9	9											
			$n_{2 \text{ th}}$	9	9	9	9											
430.222	5942	0.85	M_2					2223	1730	4092	3261	3057	5546	4514				
			c					2.6	3.0	1.5	1.8	1.8	1.1	1.2				
			$n_{2 \text{ Eck}}$					5	9	4	7	8	5	9				
			$n_{2 \text{ th}}$					5	9	3	7	8	5	9				
522.133	5942	0.62	M_2	1103	1505	1860	2213	2711	2112	4980	3972	3723						
			c	4.7	3.6	2.8	2.4	2.2	2.5	1.2	1.5	1.5						
			$n_{2 \text{ Eck}}$	8	7	8	8	4	8	3	6	7						
			$n_{2 \text{ th}}$	8	7	8	8	4	8	3	6	7						
562.391	5319	0.60	M_2	1199	1632	2013	2394	2931	2285		4289	4020						
			c	3.9	3.0	2.4	2.0	1.8	2.1		1.2	1.3						
			$n_{2 \text{ Eck}}$	7	7	7	7	4	7		5	6						
			$n_{2 \text{ th}}$	7	7	7	7	3	7		5	6						
633.680	5844	0.60	M_2	1352	1840	2270	2698	3304	2576		4834	4532						
			c	3.8	2.9	2.3	1.9	1.8	2.0		1.2	1.2						
			$n_{2 \text{ Eck}}$	6	6	6	6	3	6		5	6						
			$n_{2 \text{ th}}$	6	6	6	6	3	6		5	6						
710.888	5319	0.39	M_2	1529	2076	2558	3039											
			c	3.1	2.4	1.9	1.6											
			$n_{2 \text{ Eck}}$	6	5	6	6											
			$n_{2 \text{ th}}$	6	5	6	6											
801.000	5844	0.38	M_2	1724	2341	2884	3425											
			c	3.0	2.3	1.8	1.5											
			$n_{2 \text{ Eck}}$	5	5	5	5											
			$n_{2 \text{ th}}$	5	5	5	5											

$M \dots$ [Nm]
 $n \dots$ [r/min]
 $J \dots$ [kgcm²]

$P \dots$ [kW]
 $I \dots$ [A]
 i [-]
 c [-]

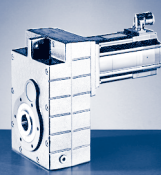


$M_{2GN} \leq 5950 \text{ Nm}$

14DC36	14HC15	14HC32	14LC15	14LC32	14PC14	14PC32	19FC14	19FC30	19JC14	19JC30	19PC30	GFL11-3S			
...500	...500	...500	...500	...500	...500	...500	...500	...500	...500	...500	...500	M_1	J_G	M_{2GN}	i
7.50	16.00	14.00	23.00	17.20	30.00	21.00	27.00	21.00	40.00	29.00	32.00	n_1			
3600	1500	3225	1500	3225	1350	3225	1425	3000	1425	3000	3000	i_{M230}			
7.5	6.6	11.9	9.7	15.0	10.8	15.6	8.6	14.0	12.3	18.5	19.0	i_{M400}			
2.80	2.50	4.70	3.60	5.80	4.20	7.10	4.00	6.60	6.00	9.10	10.00	P_N			
8.22	14.32	14.32	23.44	23.44	34.74	34.82	65.12	65.04	105.04	105.12	160.04	J_M			
												M_2 c			
												n_2 Eck	0.67	4623	403.467
												n_2 th			
												M_2 c			
												n_2 Eck	0.67	5950	403.467
												n_2 th			
												M_2 c			
												n_2 Eck	0.85	5912	430.222
												n_2 th			
												M_2 c			
												n_2 Eck	0.85	5942	430.222
												n_2 th			
												M_2 c			
												n_2 Eck	0.62	5942	522.133
												n_2 th			
												M_2 c			
												n_2 Eck	0.60	5319	562.391
												n_2 th			
												M_2 c			
												n_2 Eck	0.60	5844	633.680
												n_2 th			
												M_2 c			
												n_2 Eck	0.39	5319	710.888
												n_2 th			
												M_2 c			
												n_2 Eck	0.38	5844	801.000
												n_2 th			

$M \dots$ [Nm]
 $n \dots$ [r/min]
 $J \dots$ [kgcm²]

$P \dots$ [kW]
 $I \dots$ [A]
 i [-]
 c [-]



GFL [Nm]

GFL□□-□S (MCS)

$M_{2GN} \leq 4971 \text{ Nm}$

GFL14-2S				19FC14	19FC30	19JC14	19JC30	19PC14	19PC30
				...500	...500	...500	...500	...500	...500
i	M_{2GN}	J_G	M_1	27.00	21.00	40.00	29.00	51.00	32.00
			n_1	1425	3000	1425	3000	1350	3000
			I_{M400}	8.6	14.0	12.3	18.5	14.3	19.0
			P_N	4.00	6.60	6.00	9.10	7.20	10.00
			J_M	65.12	65.04	105.04	105.12	160.12	160.04
8.800	2033	247.00	M_2			324		419	259
			c			6.0		4.7	5.9
			$n_{2 \text{ Eck}}$			162		153	341
			$n_{2 \text{ th}}$			162		153	194
			M_2			352		456	282
9.571	2211	232.00	c			6.0		4.7	5.9
			$n_{2 \text{ Eck}}$			149		141	313
			$n_{2 \text{ th}}$			149		141	178
			M_2			523		676	419
			c			6.0		4.7	5.9
14.200	3280	625.00	$n_{2 \text{ Eck}}$			100		95	211
			$n_{2 \text{ th}}$			100		95	120
			M_2			578		746	462
			c			5.6		4.4	5.6
			$n_{2 \text{ Eck}}$			91		86	192
15.620	3389	156.00	$n_{2 \text{ th}}$			91		86	111
			M_2			651		840	521
			c			5.6		4.4	5.6
			$n_{2 \text{ Eck}}$			81		77	171
			$n_{2 \text{ th}}$			81		77	99
17.600	3818	146.00	M_2			745	537	960	596
			c			4.7	5.2	3.7	4.7
			$n_{2 \text{ Eck}}$			71	150	68	150
			$n_{2 \text{ th}}$			71	99	68	97
			M_2			839	605	1081	671
22.476	4108	105.00	c			4.7	5.2	3.7	4.7
			$n_{2 \text{ Eck}}$			63	134	60	134
			$n_{2 \text{ th}}$			63	88	60	86
			M_2	608		919	659	1183	731
			c	6.0		4.1	5.0	3.2	4.6
24.456	3842	83.20	$n_{2 \text{ Eck}}$	58		58	123	55	123
			$n_{2 \text{ th}}$	58		58	90	55	89
			M_2	685		1036	743	1333	824
			c	6.0		4.1	5.0	3.2	4.6
			$n_{2 \text{ Eck}}$	52		52	109	49	109
27.556	4328	79.40	$n_{2 \text{ th}}$	52		52	80	49	79
			M_2	814	628	1227	882	1575	977
			c	4.8	5.5	3.2	4.0	2.5	3.6
			$n_{2 \text{ Eck}}$	44	93	44	93	42	93
			$n_{2 \text{ th}}$	44	68	44	68	42	68
32.344	4045	52.90	M_2	918	708	1382	994	1775	1101
			c	4.8	5.5	3.2	4.0	2.5	3.6
			$n_{2 \text{ Eck}}$	39	82	39	82	37	82
			$n_{2 \text{ th}}$	39	61	39	61	37	61
			M_2	1005	777	1511	1087	1938	1204
39.642	4238	38.00	c	4.1	4.7	2.8	3.4	2.2	3.1
			$n_{2 \text{ Eck}}$	36	76	36	76	34	76
			$n_{2 \text{ th}}$	36	56	36	56	34	56
			M_2	1133	875	1702	1225	2184	1357
			c	4.1	4.7	2.8	3.4	2.2	3.1
44.667	4776	36.60	$n_{2 \text{ Eck}}$	32	67	32	67	30	67
			$n_{2 \text{ th}}$	32	49	32	49	30	49

M ... [Nm]
 n ... [r/min]
 J ... [kgcm²]

P ... [kW]
 I ... [A]
 i [-]
 c [-]

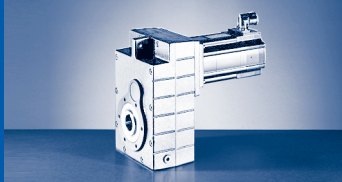


$M_{2GN} \leq 4971 \text{ Nm}$

GFL14-2S				19FC14	19FC30	19JC14	19JC30	19PC14	19PC30
				...500	...500	...500	...500	...500	...500
i	M_{2GN}	J_G	M_1						
			n_1	27.00	21.00	40.00	29.00	51.00	32.00
			I_{M400}	1425	3000	1425	3000	1350	3000
			P_N	8.6	14.0	12.3	18.5	14.3	19.0
			J_M	4.00	6.60	6.00	9.10	7.20	10.00
			M_2	65.12	65.04	105.04	105.12	160.12	160.04
52.067	4358	24.60	c	1333	1031	1997	1440	2558	1593
			n_2 Eck	3.2	3.7	2.2	2.7	1.7	2.4
			n_2 th	27	58	27	58	26	58
				27	42	27	42	26	42
58.667	4911	23.80	M_2	1502	1162	2250	1622	2882	1795
			c	3.2	3.7	2.2	2.7	1.7	2.4
			n_2 Eck	24	51	24	51	23	51
			n_2 th	24	38	24	38	23	38
63.190	4412	18.00	M_2	1627	1260	2432	1755	3113	1941
			c	2.7	3.1	1.8	2.2	1.4	2.0
			n_2 Eck	23	48	23	48	21	48
			n_2 th	23	35	23	35	21	35
71.200	4971	17.40	M_2	1833	1414	2740	1973	3508	2182
			c	2.7	3.4	1.8	2.5	1.4	2.3
			n_2 Eck	20	42	20	42	19	42
			n_2 th	20	31	20	31	19	31

M ... [Nm]
n ... [r/min]
J ... [kgcm²]

P ... [kW]
I ... [A]
i [-]
c [-]



GFL [Nm]

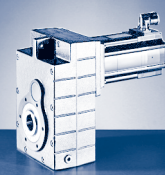
GFL□□-□S (MCS)

$M_{2GN} \leq 11496 \text{ Nm}$

GFL14-3S				12DC20	12DC41	12HC15	12HC30	12HC35	12LC20	12LC41	14DC15	14DC36	14HC15
				...500	...500	...500	...500	...500	...500	...500	...500	...500	...500
i	M_{2GN}	J_G	M_1	5.50	4.30	10.00	8.00	7.50	13.50	11.00	9.20	7.50	16.00
			n_1	1950	4050	1500	3000	3525	1950	4050	1500	3600	1500
			I_{M230}	5.2	8.8	7.6	10.5		11.8				
			I_{M400}	2.6	4.5	3.8		5.7	5.9	10.2	4.5	7.5	6.6
			P_N	1.10	1.80	1.60	2.50	2.80	2.80	4.70	1.45	2.80	2.50
			J_M	4.12	4.12	7.42	7.42	7.42	10.72	10.72	8.22	8.22	14.32
64.296	5534	26.32	M_2										936
			c										5.6
			$n_{2 \text{ Eck}}$										23
			$n_{2 \text{ th}}$										23
64.296	5610	26.32	M_2										
			c										
			$n_{2 \text{ Eck}}$										
			$n_{2 \text{ th}}$										
68.708	3311	19.86	M_2			629			861	699			
			c			5.0			3.7	4.2			
			$n_{2 \text{ Eck}}$			22			28	59			
			$n_{2 \text{ th}}$			22			28	52			
68.708	5182	19.86	M_2										1007
			c										4.9
			$n_{2 \text{ Eck}}$										22
			$n_{2 \text{ th}}$										22
68.708	5416	19.86	M_2										
			c										
			$n_{2 \text{ Eck}}$										
			$n_{2 \text{ th}}$										
77.418	3730	19.38	M_2			709			970	787			
			c			5.0			3.7	4.2			
			$n_{2 \text{ Eck}}$			19			25	52			
			$n_{2 \text{ th}}$			19			25	46			
77.418	5839	19.38	M_2										1135
			c										4.9
			$n_{2 \text{ Eck}}$										19
			$n_{2 \text{ th}}$										19
77.418	6103	19.38	M_2										
			c										
			$n_{2 \text{ Eck}}$										
			$n_{2 \text{ th}}$										
85.037	6276	21.59	M_2										1248
			c										4.8
			$n_{2 \text{ Eck}}$										18
			$n_{2 \text{ th}}$										18
104.889	3398	9.32	M_2			977	775	726	1332	1082			
			c			3.4	4.2	4.3	2.5	2.8			
			$n_{2 \text{ Eck}}$			14	29	34	19	39			
			$n_{2 \text{ th}}$			14	29	34	19	39			
104.889	5307	9.32	M_2								876		1565
			c								5.8		3.3
			$n_{2 \text{ Eck}}$								14		14
			$n_{2 \text{ th}}$								14		14
114.126	3697	8.32	M_2			1063	843	790	1449	1177			
			c			3.4	4.2	4.3	2.5	2.8			
			$n_{2 \text{ Eck}}$			13	26	31	17	36			
			$n_{2 \text{ th}}$			13	26	31	17	35			
114.126	5774	8.32	M_2								953		1703
			c								5.8		3.3
			$n_{2 \text{ Eck}}$								13		13
			$n_{2 \text{ th}}$								13		13

$M \dots$ [Nm]
 $n \dots$ [r/min]
 $J \dots$ [kgcm²]

$P \dots$ [kW]
 $I \dots$ [A]
 $i \dots$ [-]
 $c \dots$ [-]

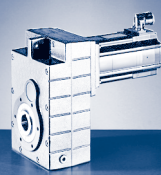


$M_{2GN} \leq 11496 \text{ Nm}$

14HC32	14LC15	14LC32	14PC14	14PC32	19FC14	19FC30	19JC14	19JC30	19PC14	19PC30	GFL14-3S			
...S00	...S00	...S00	...S00	...S00	...S00	...S00	...S00	...S00	...S00	...S00	M_1	J_G	M_{2GN}	i
14.00	23.00	17.20	30.00	21.00	27.00	21.00	40.00	29.00	51.00	32.00	n_1			
3225	1500	3225	1350	3225	1425	3000	1425	3000	1350	3000	I_{M230}			
											I_{M400}			
11.9	9.7	15.0	10.8	15.6	8.6	14.0	12.3	18.5	14.3	19.0	P_N			
4.70	3.60	5.80	4.20	7.10	4.00	6.60	6.00	9.10	7.20	10.00	J_M			
14.32	23.44	23.44	34.74	34.82	65.12	65.04	105.04	105.12	160.12	160.04	M_2			
818	1370	1017	1805	1253							c	26.32	5534	64.296
5.7	3.9	4.6	3.0	3.8							$n_{2 \text{ Eck}}$			
50	23	50	21	50							$n_{2 \text{ th}}$			
50	23	50	21	48										
					1618	1251	2425	1748	3108	1934	M_2			
					3.4	3.9	2.3	2.8	1.8	2.6	c	26.32	5610	64.296
					22	47	22	47	21	47	$n_{2 \text{ Eck}}$			
					22	34	22	34	21	34	$n_{2 \text{ th}}$			
											M_2			
											c	19.86	3311	68.708
											$n_{2 \text{ Eck}}$			
											$n_{2 \text{ th}}$			
876	1472	1088	1936	1340							M_2			
5.5	3.4	4.5	2.6	3.7							c	19.86	5182	68.708
47	22	47	20	47							$n_{2 \text{ Eck}}$			
47	22	47	20	47							$n_{2 \text{ th}}$			
					1735	1337	2597	1867	3327	2067	M_2			
					3.1	3.9	2.1	2.8	1.6	2.6	c	19.86	5416	68.708
					21	44	21	44	20	44	$n_{2 \text{ Eck}}$			
					21	32	21	32	20	32	$n_{2 \text{ th}}$			
											M_2			
											c	19.38	3730	77.418
											$n_{2 \text{ Eck}}$			
											$n_{2 \text{ th}}$			
987	1658	1226	2182	1510							M_2			
5.5	3.4	4.5	2.6	3.7							c	19.38	5839	77.418
42	19	42	17	42							$n_{2 \text{ Eck}}$			
42	19	42	17	42							$n_{2 \text{ th}}$			
					1955	1506	2927	2104	3749	2328	M_2			
					3.1	3.9	2.1	2.8	1.6	2.6	c	19.38	6103	77.418
					18	39	18	39	17	39	$n_{2 \text{ Eck}}$			
					18	29	18	29	17	29	$n_{2 \text{ th}}$			
1086	1823	1348	2398	1660	2152	1659	3219	2316	4122	2562	M_2			
5.4	3.4	4.4	2.6	3.6	2.9	3.7	1.9	2.7	1.5	2.4	c	21.59	6276	85.037
38	18	38	16	38	17	35	17	35	16	35	$n_{2 \text{ Eck}}$			
38	18	37	16	36	17	26	17	26	16	26	$n_{2 \text{ th}}$			
											M_2			
											c	9.32	3398	104.889
											$n_{2 \text{ Eck}}$			
											$n_{2 \text{ th}}$			
1364	2274	1688	2983	2073							M_2			
3.7	2.3	3.0	1.8	2.5							c	9.32	5307	104.889
31	14	31	13	31							$n_{2 \text{ Eck}}$			
31	14	31	13	31							$n_{2 \text{ th}}$			
											M_2			
											c	8.32	3697	114.126
											$n_{2 \text{ Eck}}$			
											$n_{2 \text{ th}}$			
1484	2474	1837	3246	2255							M_2			
3.7	2.3	3.0	1.8	2.5							c	8.32	5774	114.126
28	13	28	12	28							$n_{2 \text{ Eck}}$			
28	13	28	12	28							$n_{2 \text{ th}}$			

$M \dots$ [Nm]
 $n \dots$ [r/min]
 $J \dots$ [kgcm²]

$P \dots$ [kW]
 $I \dots$ [A]
 i [-]
 c [-]



GFL [Nm]

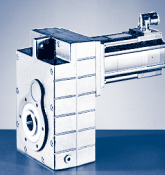
GFL□□-□S (MCS)

$M_{2GN} \leq 11496 \text{ Nm}$

GFL14-3S				12DC20	12DC41	12HC15	12HC30	12HC35	12LC20	12LC41	14DC15	14DC36	14HC15
				...500	...500	...500	...500	...500	...500	...500	...500	...500	...500
i	M_{2GN}	J_G	M_1	5.50	4.30	10.00	8.00	7.50	13.50	11.00	9.20	7.50	16.00
			n_1	1950	4050	1500	3000	3525	1950	4050	1500	3600	1500
			I_{M230}	5.2	8.8	7.6	10.5		11.8				
			I_{M400}	2.6	4.5	3.8		5.7	5.9	10.2	4.5	7.5	6.6
			P_N	1.10	1.80	1.60	2.50	2.80	2.80	4.70	1.45	2.80	2.50
			J_M	4.12	4.12	7.42	7.42	7.42	10.72	10.72	8.22	8.22	14.32
128.593	4166	8.14	M_2			1198	950	890	1633	1327			
			c			3.4	4.2	4.3	2.5	2.8			
			$n_{2 \text{ Eck}}$			12	23	27	15	32			
			$n_{2 \text{ th}}$			12	23	27	15	31			
128.593	6506	8.14	M_2								1074		1919
			c								5.8		3.3
			$n_{2 \text{ Eck}}$								12		12
			$n_{2 \text{ th}}$								12		12
136.889	7359	16.78	M_2										2038
			c										3.5
			$n_{2 \text{ Eck}}$										11
			$n_{2 \text{ th}}$										11
156.148	4335	5.92	M_2	784		1463	1161	1088	1990	1618			
			c	5.3		2.9	3.6	3.7	2.2	2.4			
			$n_{2 \text{ Eck}}$	13		10	19	23	13	26			
			$n_{2 \text{ th}}$	12		10	19	23	12	26			
156.148	6760	5.92	M_2								1317	1064	2342
			c								4.9	5.7	2.8
			$n_{2 \text{ Eck}}$								10	23	10
			$n_{2 \text{ th}}$								10	23	10
170.074	5510	6.96	M_2			1585	1256	1177	2160	1754			
			c			3.4	4.2	4.3	2.5	2.8			
			$n_{2 \text{ Eck}}$			9	18	21	12	24			
			$n_{2 \text{ th}}$			9	18	21	11	24			
170.074	8408	6.96	M_2								1423		2540
			c								5.6		3.2
			$n_{2 \text{ Eck}}$								9		9
			$n_{2 \text{ th}}$								9		9
202.074	4498	3.69	M_2	1026	797	1904	1514	1419	2587	2104			
			c	4.2	4.9	2.3	2.9	2.9	1.7	1.9			
			$n_{2 \text{ Eck}}$	10	20	7	15	17	10	20			
			$n_{2 \text{ th}}$	10	20	7	15	17	10	20			
202.074	7010	3.69	M_2								1722	1395	3049
			c								4.0	4.6	2.3
			$n_{2 \text{ Eck}}$								7	18	7
			$n_{2 \text{ th}}$								7	18	7
224.636	6236	4.74	M_2	1128		2104	1670	1565	2863	2327			
			c	5.3		2.9	3.6	3.7	2.2	2.4			
			$n_{2 \text{ Eck}}$	9		7	13	16	9	18			
			$n_{2 \text{ th}}$	9		7	13	16	9	18			
224.636	8739	4.74	M_2								1904	1541	3379
			c								4.4	5.1	2.5
			$n_{2 \text{ Eck}}$								7	16	7
			$n_{2 \text{ th}}$								7	16	7
253.111	7027	4.70	M_2	1271		2371	1882	1763	3226	2622			
			c	5.3		2.9	3.6	3.7	2.2	2.4			
			$n_{2 \text{ Eck}}$	8		6	12	14	8	16			
			$n_{2 \text{ th}}$	8		6	12	14	8	16			
253.111	9846	4.70	M_2								2146	1736	3808
			c								4.4	5.1	2.5
			$n_{2 \text{ Eck}}$								6	14	6
			$n_{2 \text{ th}}$								6	14	6

$M \dots$ [Nm]
 $n \dots$ [r/min]
 $J \dots$ [kgcm²]

$P \dots$ [kW]
 $I \dots$ [A]
 $i \dots$ [-]
 $c \dots$ [-]

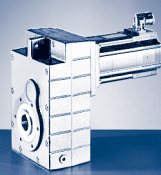


$M_{2GN} \leq 11496 \text{ Nm}$

14HC32	14LC15	14LC32	14PC14	14PC32	19FC14	19FC30	19JC14	19JC30	19PC14	19PC30	GFL14-3S			
...S00	...S00	...S00	...S00	...S00	...S00	...S00	...S00	...S00	...S00	...S00	M_1	J_G	M_{2GN}	i
14.00	23.00	17.20	30.00	21.00	27.00	21.00	40.00	29.00	51.00	32.00	n_1			
3225	1500	3225	1350	3225	1425	3000	1425	3000	1350	3000	I_{M230}			
											I_{M400}			
11.9	9.7	15.0	10.8	15.6	8.6	14.0	12.3	18.5	14.3	19.0	P_N			
4.70	3.60	5.80	4.20	7.10	4.00	6.60	6.00	9.10	7.20	10.00	J_M			
14.32	23.44	23.44	34.74	34.82	65.12	65.04	105.04	105.12	160.12	160.04	M_2			
											c	8.14	4166	128.593
											n_2			
											n_2			
											n_2			
1672	2788	2069	3657	2541							M_2			
3.7	2.3	3.0	1.8	2.5							c	8.14	6506	128.593
25	12	25	11	25							n_2			
25	12	25	11	25							n_2			
1775	2963	2198	3889	2701	3492	2699	5211	3757	6665	4153	M_2			
3.9	2.5	3.2	1.9	2.6	2.1	2.7	1.4	1.9	1.1	1.8	c	16.78	7359	136.889
24	11	24	10	24	10	22	10	22	10	22	n_2			
23	11	22	10	21	10	16	10	16	10	16	n_2			
											n_2			
											c	5.92	4335	156.148
											n_2			
											n_2			
2042	3397	2525	4453	3097							M_2			
3.2	2.0	2.6	1.5	2.1							c	5.92	6760	156.148
21	10	21	9	21							n_2			
21	10	21	9	21							n_2			
											n_2			
											c	6.96	5510	170.074
											n_2			
											n_2			
2213	3689	2739	4839	3363							M_2			
3.6	2.3	2.9	1.7	2.4							c	6.96	8408	170.074
19	9	19	8	19							n_2			
19	9	19	8	19							n_2			
											n_2			
											c	3.69	4498	202.074
											n_2			
											n_2			
2660	4415	3285	5781	4026							M_2			
2.5	1.6	2.1	1.2	1.7							c	3.69	7010	202.074
16	7	16	7	16							n_2			
16	7	16	7	16							n_2			
											n_2			
											c	4.74	6236	224.636
											n_2			
											n_2			
2948	4898	3642	6416	4466							M_2			
2.8	1.8	2.3	1.4	1.9							c	4.74	8739	224.636
14	7	14	6	14							n_2			
14	7	14	6	14							n_2			
											n_2			
											c	4.70	7027	253.111
											n_2			
											n_2			
3321	5519	4103	7230	5032							M_2			
2.8	1.8	2.3	1.4	1.9							c	4.70	9846	253.111
13	6	13	5	13							n_2			
13	6	13	5	13							n_2			

$M \dots$ [Nm]
 $n \dots$ [r/min]
 $J \dots$ [kgcm²]

$P \dots$ [kW]
 $I \dots$ [A]
 $i [-]$
 $c [-]$



GFL [Nm]

GFL□□-□S (MCS)

$M_{2GN} \leq 11496 \text{ Nm}$

GFL14-3S				12DC20	12DC41	12HC15	12HC30	12HC35	12LC20	12LC41	14DC15	14DC36	14HC15	
				...500	...500	...500	...500	...500	...500	...500	...500	...500	...500	
i	M_{2GN}	J_G	M_1	5.50	4.30	10.00	8.00	7.50	13.50	11.00	9.20	7.50	16.00	
			n_1	1950	4050	1500	3000	3525	1950	4050	1500	3600	1500	
			I_{M230}	5.2	8.8	7.6	10.5		11.8					
			I_{M400}	2.6	4.5	3.8		5.7	5.9	10.2	4.5	7.5	6.6	
			P_N	1.10	1.80	1.60	2.50	2.80	2.80	4.70	1.45	2.80	2.50	
			J_M	4.12	4.12	7.42	7.42	7.42	10.72	10.72	8.22	8.22	14.32	
273.778	8870	5.76	M_2			2551	2022	1895	3476	2824				
			c			3.4	4.2	4.3	2.5	2.8				
			$n_{2 \text{ Eck}}$			6	11	13	7	15				
			$n_{2 \text{ th}}$			5	11	13	7	15				
273.778	9753	5.76	M_2								2330	1887	4128	
			c								4.1	4.7	2.3	
			$n_{2 \text{ Eck}}$								6	13	6	
			$n_{2 \text{ th}}$								5	13	5	
332.444	9229	4.30	M_2	1669		3114	2472	2316	4237	3444				
			c	5.3		2.9	3.6	3.7	2.2	2.4				
			$n_{2 \text{ Eck}}$	6		5	9	11	6	12				
			$n_{2 \text{ th}}$	6		5	9	11	6	12				
332.444	10550	4.30	M_2								2843	2304	5026	
			c								3.6	4.2	2.1	
			$n_{2 \text{ Eck}}$								5	11	5	
			$n_{2 \text{ th}}$								5	11	5	
352.811	6551	2.16	M_2	1805	1403	3338	2657	2490	4531	3686				
			c	3.5	4.1	1.9	2.4	2.5	1.4	1.6				
			$n_{2 \text{ Eck}}$	6	12	4	9	10	6	12				
			$n_{2 \text{ th}}$	6	11	4	9	10	6	11				
352.811	10203	2.16	M_2								3028	2455	5344	
			c								3.3	3.8	1.9	
			$n_{2 \text{ Eck}}$								4	10	4	
			$n_{2 \text{ th}}$								4	10	4	
397.533	7382	2.15	M_2	2034	1581	3762	2994	2806	5105	4153				
			c	3.5	4.1	1.9	2.4	2.5	1.4	1.6				
			$n_{2 \text{ Eck}}$	5	10	4	8	9	5	10				
			$n_{2 \text{ th}}$	5	10	4	8	9	5	10				
397.533	11496	2.15	M_2								3411	2766	6022	
			c								3.3	3.8	1.9	
			$n_{2 \text{ Eck}}$								4	9	4	
			$n_{2 \text{ th}}$								4	9	4	
430.222	9576	2.73	M_2	2185	1696	4054	3223	3021	5508	4479				
			c	4.2	4.9	2.3	2.9	2.9	1.7	1.9				
			$n_{2 \text{ Eck}}$	5	9	4	7	8	5	9				
			$n_{2 \text{ th}}$	5	9	3	7	8	5	9				
430.222	10560	2.73	M_2								3712	3012	6537	
			c								2.8	3.2	1.6	
			$n_{2 \text{ Eck}}$								4	8	4	
			$n_{2 \text{ th}}$								3	8	3	
522.133	9695	1.98	M_2	2672	2076	4941	3932	3685	6705	5455				
			c	3.5	4.1	1.9	2.4	2.5	1.4	1.6				
			$n_{2 \text{ Eck}}$	4	8	3	6	7	4	8				
			$n_{2 \text{ th}}$	4	8	3	6	7	4	8				
522.133	10560	1.98	M_2								4528	3678	7957	
			c								2.3	2.7	1.3	
			$n_{2 \text{ Eck}}$								3	7	3	
			$n_{2 \text{ th}}$								3	7	3	
562.391	9036	1.91	M_2	2892	2250	5336	4250	3984	7237	5888	4902	3984	8595	
			c	3.1	3.5	1.7	2.1	2.1	1.3	1.4	1.8	2.1	1.1	
			$n_{2 \text{ Eck}}$	4	7	3	5	6	4	7	3	6	3	
			$n_{2 \text{ th}}$	3	7	3	5	6	3	7	3	6	3	

$M \dots$ [Nm]
 $n \dots$ [r/min]
 $J \dots$ [kgcm²]

$P \dots$ [kW]
 $I \dots$ [A]
 $i \dots$ [-]
 $c \dots$ [-]

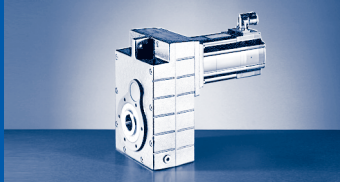


$M_{2GN} \leq 11496 \text{ Nm}$

14HC32	14LC15	14LC32	14PC14	14PC32	19FC14	19FC30	19JC14	19JC30	19PC14	19PC30	GFL14-3S			
...S00	...S00	...S00	...S00	...S00	...S00	...S00	...S00	...S00	...S00	...S00	M_1	J_G	M_{2GN}	i
14.00	23.00	17.20	30.00	21.00	27.00	21.00	40.00	29.00	51.00	32.00	n_1			
3225	1500	3225	1350	3225	1425	3000	1425	3000	1350	3000	I_{M230}			
											I_{M400}			
11.9	9.7	15.0	10.8	15.6	8.6	14.0	12.3	18.5	14.3	19.0	P_N			
4.70	3.60	5.80	4.20	7.10	4.00	6.60	6.00	9.10	7.20	10.00	J_M			
14.32	23.44	23.44	34.74	34.82	65.12	65.04	105.04	105.12	160.12	160.04	M_2			
											c	5.76	8870	273.778
											$n_{2 \text{ Eck}}$			
											$n_{2 \text{ th}}$			
3602	5979	4448	7829	5452							M_2			
2.6	1.6	2.1	1.2	1.7							c	5.76	9753	273.778
12	6	12	5	12							$n_{2 \text{ Eck}}$			
12	5	12	5	12							$n_{2 \text{ th}}$			
											M_2			
											c	4.30	9229	332.444
											$n_{2 \text{ Eck}}$			
											$n_{2 \text{ th}}$			
4387	7273	5414	9521	6634							M_2			
2.3	1.4	1.9	1.1	1.5							c	4.30	10550	332.444
10	5	10	4	10							$n_{2 \text{ Eck}}$			
10	5	10	4	10							$n_{2 \text{ th}}$			
											M_2			
											c	2.16	6551	352.811
											$n_{2 \text{ Eck}}$			
											$n_{2 \text{ th}}$			
4666	7729	5756	10114	7050							M_2			
2.1	1.3	1.7	1.0	1.4							c	2.16	10203	352.811
9	4	9	4	9							$n_{2 \text{ Eck}}$			
9	4	9	4	9							$n_{2 \text{ th}}$			
											M_2			
											c	2.15	7382	397.533
											$n_{2 \text{ Eck}}$			
											$n_{2 \text{ th}}$			
5257	8709	6485	11396	7944							M_2			
2.1	1.3	1.7	1.0	1.4							c	2.15	11496	397.533
8	4	8	3	8							$n_{2 \text{ Eck}}$			
8	4	8	3	8							$n_{2 \text{ th}}$			
											M_2			
											c	2.73	9576	430.222
											$n_{2 \text{ Eck}}$			
											$n_{2 \text{ th}}$			
5708	9445	7038		8617							M_2			
1.8	1.1	1.5		1.2							c	2.73	10560	430.222
8	4	8		8							$n_{2 \text{ Eck}}$			
8	3	8		8							$n_{2 \text{ th}}$			
											M_2			
											c	1.98	9695	522.133
											$n_{2 \text{ Eck}}$			
											$n_{2 \text{ th}}$			
6951		8565									M_2			
1.5		1.2									c	1.98	10560	522.133
6		6									$n_{2 \text{ Eck}}$			
6		6									$n_{2 \text{ th}}$			
7511											M_2			
1.2											c	1.91	9036	562.391
6											$n_{2 \text{ Eck}}$			
6											$n_{2 \text{ th}}$			

$M \dots$ [Nm]
 $n \dots$ [r/min]
 $J \dots$ [kgcm²]

$P \dots$ [kW]
 $I \dots$ [A]
 i [-]
 c [-]



GFL [Nm]

GFL□□-□S (MCS)

$M_{2GN} \leq 11496 \text{ Nm}$

GFL14-3S				12DC20	12DC41	12HC15	12HC30	12HC35	12LC20	12LC41	14DC15	14DC36	14HC15
				...500	...500	...500	...500	...500	...500	...500	...500	...500	...500
i	M_{2GN}	J_G	M_1	5.50	4.30	10.00	8.00	7.50	13.50	11.00	9.20	7.50	16.00
			n_1	1950	4050	1500	3000	3525	1950	4050	1500	3600	1500
			I_{M230}	5.2	8.8	7.6	10.5		11.8				
			I_{M400}	2.6	4.5	3.8		5.7	5.9	10.2	4.5	7.5	6.6
			P_N	1.10	1.80	1.60	2.50	2.80	2.80	4.70	1.45	2.80	2.50
			J_M	4.12	4.12	7.42	7.42	7.42	10.72	10.72	8.22	8.22	14.32
633.680	9811	1.90	M_2	3263	2538	6017	4793	4492	8158	6638	5527	4493	9688
			c	3.0	3.4	1.6	2.0	2.1	1.2	1.3	1.8	2.0	1.0
			$n_{2 \text{ Eck}}$	3	6	2	5	6	3	6	2	6	2
			$n_{2 \text{ th}}$	3	6	2	5	6	3	6	2	6	2
710.888	9036	1.26	M_2	3681	2866	6770	5397	5059		7466			
			c	2.4	2.8	1.3	1.7	1.7		1.1			
			$n_{2 \text{ Eck}}$	3	6	2	4	5		6			
			$n_{2 \text{ th}}$	3	6	2	4	5		6			
801.000	9811	1.25	M_2	4152	3233	7632	6085	5704		8416			
			c	2.3	2.7	1.3	1.6	1.6		1.1			
			$n_{2 \text{ Eck}}$	2	5	2	4	4		5			
			$n_{2 \text{ th}}$	2	5	2	4	4		5			

$M \dots$ [Nm]
 $n \dots$ [r/min]
 $J \dots$ [kgcm²]

$P \dots$ [kW]
 $I \dots$ [A]
 i [-]
 c [-]

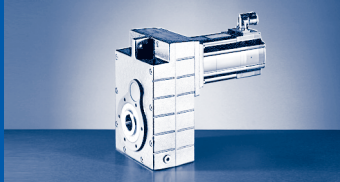


$M_{2GN} \leq 11496 \text{ Nm}$

14HC32	14LC15	14LC32	14PC14	14PC32	19FC14	19FC30	19JC14	19JC30	19PC14	19PC30	GFL14-3S			
...S00	...S00	...S00	...S00	...S00	...S00	...S00	...S00	...S00	...S00	...S00	M_1	J_G	M_{2GN}	i
14.00	23.00	17.20	30.00	21.00	27.00	21.00	40.00	29.00	51.00	32.00	n_1			
3225	1500	3225	1350	3225	1425	3000	1425	3000	1350	3000	I_{M230}			
											I_{M400}			
11.9	9.7	15.0	10.8	15.6	8.6	14.0	12.3	18.5	14.3	19.0	P_N			
4.70	3.60	5.80	4.20	7.10	4.00	6.60	6.00	9.10	7.20	10.00	J_M			
14.32	23.44	23.44	34.74	34.82	65.12	65.04	105.04	105.12	160.12	160.04	M_2			
8467											c			
1.1											$n_{2 \text{ Eck}}$	1.90	9811	633.680
5											$n_{2 \text{ th}}$			
5											M_2			
											c			
											$n_{2 \text{ Eck}}$	1.26	9036	710.888
											$n_{2 \text{ th}}$			
											M_2			
											c			
											$n_{2 \text{ Eck}}$	1.25	9811	801.000
											$n_{2 \text{ th}}$			

M ... [Nm]
n ... [r/min]
J ... [kgcm²]

P ... [kW]
I ... [A]
i [-]
c [-]



GFL [Nm]

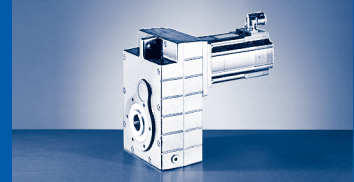
GFL□□-□A (MCA)

$M_{2GN} \leq 187 \text{ Nm}$

GFL04-2A				10IC40	13IC34	13IC41
				...500	...F10	...500
i	M_{2GN}	J_G	M_1			
			n_1	3950	3410	4050
			I_{M400}	2.4	6.0	4.4
			P_N	0.80	2.20	1.70
			J_M	2.44	8.34	8.34
3.659	109	1.51	M_2		22	14
			c		3.7	5.5
			$n_{2 \text{ Eck}}$		932	1107
			$n_{2 \text{ th}}$		932	1003
5.018	111	0.86	M_2		30	19
			c		2.8	4.1
			$n_{2 \text{ Eck}}$		680	807
			$n_{2 \text{ th}}$		680	769
5.833	153	0.93	M_2		35	22
			c		3.3	4.9
			$n_{2 \text{ Eck}}$		585	694
			$n_{2 \text{ th}}$		572	616
6.422	113	0.56	M_2		39	24
			c		2.2	3.2
			$n_{2 \text{ Eck}}$		531	631
			$n_{2 \text{ th}}$		531	631
7.025	113	0.47	M_2	13	42	27
			c	6.0	2.0	3.0
			$n_{2 \text{ Eck}}$	562	485	577
			$n_{2 \text{ th}}$	562	485	576
8.379	179	0.67	M_2		50	32
			c		2.7	3.9
			$n_{2 \text{ Eck}}$		407	483
			$n_{2 \text{ th}}$		382	413
9.333	165	0.61	M_2		56	35
			c		2.2	3.3
			$n_{2 \text{ Eck}}$		365	434
			$n_{2 \text{ th}}$		330	358
10.238	159	0.37	M_2	19	62	39
			c	5.8	1.9	2.9
			$n_{2 \text{ Eck}}$	386	333	396
			$n_{2 \text{ th}}$	386	333	396
11.491	181	0.41	M_2	21	70	44
			c	5.9	2.0	2.9
			$n_{2 \text{ Eck}}$	344	297	353
			$n_{2 \text{ th}}$	344	294	317
12.800	166	0.38	M_2	24	78	49
			c	4.8	1.6	2.4
			$n_{2 \text{ Eck}}$	309	266	316
			$n_{2 \text{ th}}$	309	240	274
14.706	182	0.28	M_2	27	89	56
			c	4.6	1.5	2.3
			$n_{2 \text{ Eck}}$	269	232	275
			$n_{2 \text{ th}}$	269	232	275
16.087	182	0.25	M_2	30	98	62
			c	4.2	1.4	2.1
			$n_{2 \text{ Eck}}$	246	212	252
			$n_{2 \text{ th}}$	246	212	252
17.920	167	0.23	M_2	34	109	69
			c	3.5	1.2	1.7
			$n_{2 \text{ Eck}}$	220	190	226
			$n_{2 \text{ th}}$	220	181	217

$M \dots$ [Nm]
 $n \dots$ [r/min]
 $J \dots$ [kgcm²]

$P \dots$ [kW]
 $I \dots$ [A]
 i [-]
 c [-]

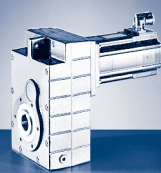


$M_{2GN} \leq 187 \text{ Nm}$

GFL04-2A				10IC40	13IC34	13IC41
				...500	...F10	...500
i	M_{2GN}	J_G	M_1			
			n_1	3950	3410	4050
			I_{M400}	2.4	6.0	4.4
			P_N	0.80	2.20	1.70
			J_M	2.44	8.34	8.34
20.519	183	0.17	M_2	39	125	79
			c	3.3	1.1	1.7
			n_2 Eck	193	166	197
			n_2 th	193	166	197
			M_2	44		88
22.857	167	0.16	c	2.7		1.4
			n_2 Eck	173		177
			n_2 th	173		174
			M_2	48	154	97
			c	3.1	1.0	1.5
25.136	183	0.13	n_2 Eck	157	136	161
			n_2 th	157	136	161
			M_2	53		108
			c	2.5		1.3
			n_2 Eck	141		145
28.000	168	0.12	n_2 th	141		145
			M_2	60		
			c	2.5		
			n_2 Eck	125		
			n_2 th	125		
31.600	185	0.09	M_2	68		
			c	2.1		
			n_2 Eck	112		
			n_2 th	112		
			M_2	78		
40.697	187	0.06	c	2.0		
			n_2 Eck	97		
			n_2 th	97		
			M_2	87		
			c	1.6		
45.333	172	0.06	n_2 Eck	87		
			n_2 th	87		

M ... [Nm]
n ... [r/min]
J ... [kgcm²]

P ... [kW]
I ... [A]
i [-]
c [-]



GFL [Nm]

GFL□□-□A (MCA)

$M_{2GN} \leq 345 \text{ Nm}$

GFL05-2A				10IC40	13IC34	13IC41	14LC16	14LC20	14LC35	14LC41
				...S00	...F10	...S00	...F10	...S00	...F10	...S00
i	M_{2GN}	J_G	M_1	2.00	6.30	4.00	12.00	6.70	10.80	5.40
			n_1	3950	3410	4050	1635	2000	3455	4100
			I_{M400}	2.4	6.0	4.4	4.8	3.3	9.1	5.8
			P_N	0.80	2.20	1.70	2.10	1.40	3.90	2.30
			J_M	2.44	8.34	8.34	19.32	19.24	19.24	19.24
3.333	138	1.68	M_2		20					
			c		5.1					
			$n_{2 \text{ Eck}}$		1023					
			$n_{2 \text{ th}}$		910					
3.333	166	1.68	M_2				38		34	
			c				4.2		3.6	
			$n_{2 \text{ Eck}}$				491		1037	
			$n_{2 \text{ th}}$				491		849	
4.571	170	2.13	M_2		27		52	28	47	23
			c		4.6		3.1	5.2	2.7	5.1
			$n_{2 \text{ Eck}}$		746		358	438	756	897
			$n_{2 \text{ th}}$		746		358	438	686	775
5.133	212	2.37	M_2		30					
			c		5.1					
			$n_{2 \text{ Eck}}$		664					
			$n_{2 \text{ th}}$		591					
5.133	223	2.37	M_2				58		53	26
			c				3.6		3.1	5.9
			$n_{2 \text{ Eck}}$				319		673	799
			$n_{2 \text{ th}}$				319		536	607
5.667	233	2.33	M_2		33		64	35	58	28
			c		5.1		3.4	5.7	3.0	5.6
			$n_{2 \text{ Eck}}$		602		289	353	610	724
			$n_{2 \text{ th}}$		535		289	353	480	544
6.400	173	0.82	M_2		38	24	74	40	66	33
			c		3.4	5.0	2.3	3.8	2.0	3.7
			$n_{2 \text{ Eck}}$		533	633	256	313	540	641
			$n_{2 \text{ th}}$		533	621	255	313	527	561
7.040	248	1.47	M_2		42		80	44	73	35
			c		4.4		2.9	4.9	2.6	4.8
			$n_{2 \text{ Eck}}$		484		232	284	491	582
			$n_{2 \text{ th}}$		484		232	284	440	498
7.771	258	1.45	M_2		46		89	49	80	39
			c		4.1		2.8	4.7	2.4	4.5
			$n_{2 \text{ Eck}}$		439		210	257	445	528
			$n_{2 \text{ th}}$		439		210	257	394	447
9.010	266	0.95	M_2		54	33	103	57	93	46
			c		3.7	5.5	2.5	4.1	2.1	4.0
			$n_{2 \text{ Eck}}$		379	450	182	222	384	455
			$n_{2 \text{ th}}$		378	433	181	222	366	399
9.946	275	0.89	M_2		59	37	114	63	103	51
			c		3.4	5.1	2.3	3.9	2.0	3.8
			$n_{2 \text{ Eck}}$		343	407	164	201	347	412
			$n_{2 \text{ th}}$		343	388	164	201	329	361
11.360	278	1.08	M_2		68	42	131	72	118	58
			c		3.1	4.5	2.1	3.4	1.8	3.4
			$n_{2 \text{ Eck}}$		300	357	144	176	304	361
			$n_{2 \text{ th}}$		283	305	144	176	243	288
12.800	285	1.01	M_2		77	48	148	81	133	66
			c		2.8	4.1	1.9	3.1	1.6	3.0
			$n_{2 \text{ Eck}}$		266	316	128	156	270	320
			$n_{2 \text{ th}}$		246	266	128	156	204	251

$M \dots$ [Nm]
 $n \dots$ [r/min]
 $J \dots$ [kgcm²]

$P \dots$ [kW]
 $I \dots$ [A]
 i [-]
 c [-]

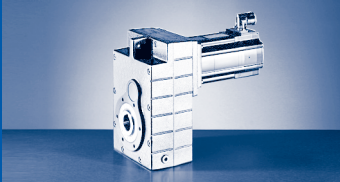


$M_{2GN} \leq 345 \text{ Nm}$

GFL05-2A				10IC40	13IC34	13IC41	14LC16	14LC20	14LC35	14LC41
				...S00	...F10	...S00	...F10	...S00	...F10	...S00
i	M_{2GN}	J_G	M_1	2.00	6.30	4.00	12.00	6.70	10.80	5.40
			n_1	3950	3410	4050	1635	2000	3455	4100
			I_{M400}	2.4	6.0	4.4	4.8	3.3	9.1	5.8
			P_N	0.80	2.20	1.70	2.10	1.40	3.90	2.30
			J_M	2.44	8.34	8.34	19.32	19.24	19.24	19.24
14.538	301	0.75	M_2		87	55	168	93	152	75
			c		2.6	3.8	1.7	2.9	1.5	2.8
			$n_{2 \text{ Eck}}$		235	279	113	138	238	282
			$n_{2 \text{ th}}$		235	253	112	138	195	239
15.904	310	0.60	M_2		96	60	184	102	166	82
			c		2.4	3.6	1.6	2.7	1.4	2.7
			$n_{2 \text{ Eck}}$		214	255	103	126	217	258
			$n_{2 \text{ th}}$		214	237	103	126	181	225
17.920	312	0.61	M_2		108	68	208	115	187	93
			c		2.2	3.2	1.5	2.4	1.3	2.4
			$n_{2 \text{ Eck}}$		190	226	91	112	193	229
			$n_{2 \text{ th}}$		190	206	91	112	154	195
20.286	333	0.43	M_2		123	77	235	130	212	105
			c		2.0	3.0	1.4	2.3	1.2	2.2
			$n_{2 \text{ Eck}}$		168	200	81	99	170	202
			$n_{2 \text{ th}}$		168	200	81	99	155	177
22.857	313	0.43	M_2	42	139	87	266	147		119
			c	5.1	1.7	2.5	1.1	1.9		1.9
			$n_{2 \text{ Eck}}$	173	149	177	72	88		179
			$n_{2 \text{ th}}$	173	149	177	72	88		157
24.850	344	0.35	M_2	46	150	95	289	160	260	129
			c	5.9	2.0	2.9	1.2	2.1	1.1	2.2
			$n_{2 \text{ Eck}}$	159	137	163	66	81	139	165
			$n_{2 \text{ th}}$	159	137	163	66	80	139	144
28.000	314	0.33	M_2	52	170	107		181		146
			c	4.8	1.6	2.4		1.7		1.7
			$n_{2 \text{ Eck}}$	141	122	145		71		146
			$n_{2 \text{ th}}$	141	122	145		71		128
32.344	345	0.20	M_2	60	197	124				
			c	4.5	1.5	2.2				
			$n_{2 \text{ Eck}}$	122	105	125				
			$n_{2 \text{ th}}$	122	105	125				
36.444	316	0.20	M_2	69	222	140				
			c	3.7	1.2	1.8				
			$n_{2 \text{ Eck}}$	108	94	111				
			$n_{2 \text{ th}}$	108	94	111				
40.233	345	0.15	M_2	76	245	155				
			c	3.6	1.2	1.8				
			$n_{2 \text{ Eck}}$	98	85	101				
			$n_{2 \text{ th}}$	98	85	101				
45.333	319	0.14	M_2	86		175				
			c	3.0		1.5				
			$n_{2 \text{ Eck}}$	87		89				
			$n_{2 \text{ th}}$	87		89				
52.067	309	0.09	M_2	99						
			c	2.5						
			$n_{2 \text{ Eck}}$	76						
			$n_{2 \text{ th}}$	76						
58.667	322	0.09	M_2	112						
			c	2.3						
			$n_{2 \text{ Eck}}$	67						
			$n_{2 \text{ th}}$	67						

$M \dots$ [Nm]
 $n \dots$ [r/min]
 $J \dots$ [kgcm²]

$P \dots$ [kW]
 $I \dots$ [A]
 i [-]
 c [-]



GFL [Nm]

GFL□□-□A (MCA)

$M_{2GN} \leq 345 \text{ Nm}$

GFL05-2A				10IC40	13IC34	13IC41	14LC16	14LC20	14LC35	14LC41
				...S00	...F10	...S00	...F10	...S00	...F10	...S00
i	M_{2GN}	J_G	M_1							
			n_1	3950	3410	4050	1635	2000	3455	4100
			I_{M400}	2.4	6.0	4.4	4.8	3.3	9.1	5.8
			P_N	0.80	2.20	1.70	2.10	1.40	3.90	2.30
			J_M	2.44	8.34	8.34	19.32	19.24	19.24	19.24
63.190	282	0.07	M_2	121						
			c	1.9						
			$n_{2 \text{ Eck}}$	63						
			$n_{2 \text{ th}}$	63						
71.200	305	0.06	M_2	137						
			c	2.0						
			$n_{2 \text{ Eck}}$	56						
			$n_{2 \text{ th}}$	55						

M ... [Nm]
 n ... [r/min]
 J ... [kgcm²]

P ... [kW]
 I ... [A]
 i [-]
 c [-]

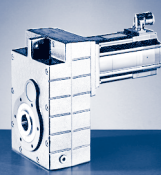


$M_{2GN} \leq 345 \text{ Nm}$

GFL05-3A				10IC40
				...500
i	M_{2GN}	J_G	M_1	
			n_1	2.00
			I_{M400}	3950
			P_N	2.4
			J_M	0.80
			M_2	2.44
			c	117
61.653	207	0.20	$n_{2 \text{ Eck}}$	1.5
			$n_{2 \text{ th}}$	64
			M_2	150
			c	1.4
78.639	225	0.14	$n_{2 \text{ Eck}}$	50
			$n_{2 \text{ th}}$	50
			M_2	171
			c	1.6
90.123	303	0.20	$n_{2 \text{ Eck}}$	44
			$n_{2 \text{ th}}$	44
			M_2	193
			c	1.5
101.547	328	0.20	$n_{2 \text{ Eck}}$	39
			$n_{2 \text{ th}}$	39
			M_2	219
			c	1.4
114.952	329	0.14	$n_{2 \text{ Eck}}$	34
			$n_{2 \text{ th}}$	34
			M_2	247
			c	1.2
129.524	328	0.14	$n_{2 \text{ Eck}}$	31
			$n_{2 \text{ th}}$	31
			M_2	269
			c	1.2
140.817	345	0.11	$n_{2 \text{ Eck}}$	28
			$n_{2 \text{ th}}$	28

M ... [Nm]
n ... [r/min]
J ... [kgcm²]

P ... [kW]
I ... [A]
i [-]
c [-]



GFL [Nm]

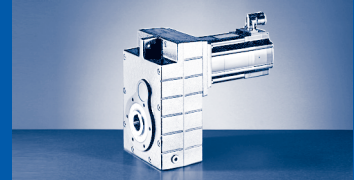
GFL□□-□A (MCA)

$M_{2GN} \leq 660 \text{ Nm}$

GFL06-2A				10IC40	13IC34	13IC41	14LC16	14LC20	14LC35	14LC41	17NC17	17NC23	17NC35	17NC41	
				...S00	...F10	...S00	...F10	...S00	...F10	...S00	...F10	...S00	...F10	...S00	
i	M_{2GN}	J_G	M_1	2.00	6.30	4.00	12.00	6.70	10.80	5.40	21.50	10.80	19.00	9.50	
			n_1	3950	3410	4050	1635	2000	3455	4100	1680	2300	3480	4110	
			I_{M400}	2.4	6.0	4.4	4.8	3.3	9.1	5.8	8.5	5.5	15.8	10.2	
			P_N	0.80	2.20	1.70	2.10	1.40	3.90	2.30	3.80	2.60	6.90	4.10	
			J_M	2.44	8.34	8.34	19.32	19.24	19.24	19.24	36.04	36.04	36.04	36.04	
3.675	266	7.76	M_2						37						
			c						5.2						
			n_2 Eck							940					
			n_2 th							702					
3.675	311	7.76	M_2								74		66		
			c									3.9		3.5	
			n_2 Eck									457		947	
			n_2 th									457		645	
5.211	377	6.64	M_2						52						
			c						5.2						
			n_2 Eck							663					
			n_2 th							495					
5.211	424	6.64	M_2								106		94		
			c									3.8		3.3	
			n_2 Eck									322		668	
			n_2 th									322		451	
5.750	416	6.04	M_2						58						
			c						5.2						
			n_2 Eck							601					
			n_2 th							448					
5.750	442	6.04	M_2								117		104	50	
			c									3.6		3.2	6.0
			n_2 Eck									292		605	715
			n_2 th									292		403	460
6.450	263	3.65	M_2		38										
			c		5.1										
			n_2 Eck		529										
			n_2 th		529										
6.450	352	3.65	M_2				72		66		132	65	117	57	
			c				4.6		3.9		2.5	4.5	2.2	4.2	
			n_2 Eck				254		536		261	357	540	637	
			n_2 th				253		507		260	357	451	482	
7.147	433	4.04	M_2				80		72		146	72	130	63	
			c				5.1		4.4		2.8	5.0	2.5	4.7	
			n_2 Eck				229		483		235	322	487	575	
			n_2 th				229		404		235	322	359	409	
8.400	604	4.26	M_2				93		84		171	84	152	74	
			c				6.0		5.2		3.3	6.0	3.0	5.6	
			n_2 Eck				195		411		200	274	414	489	
			n_2 th				195		307		200	274	272	311	
9.463	581	3.88	M_2				105		96		194	95	172	84	
			c				5.1		4.4		2.8	5.1	2.5	4.8	
			n_2 Eck				173		365		178	243	368	434	
			n_2 th				173		264		178	243	233	267	
10.092	412	2.52	M_2		59										
			c		5.1										
			n_2 Eck		338										
			n_2 th		338										
10.092	459	2.52	M_2				114		103		208	103	184	91	
			c				3.8		3.3		2.1	3.8	1.9	3.5	
			n_2 Eck				162		342		167	228	345	407	
			n_2 th				162		313		166	228	271	308	

$M \dots$ [Nm]
 $n \dots$ [r/min]
 $J \dots$ [kgcm²]

$P \dots$ [kW]
 $I \dots$ [A]
 i [-]
 c [-]

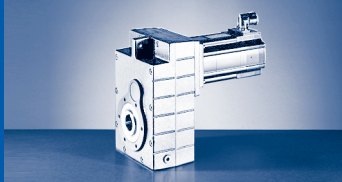


$M_{2GN} \leq 660 \text{ Nm}$

GFL06-2A				10IC40	13IC34	13IC41	14LC16	14LC20	14LC35	14LC41	17NC17	17NC23	17NC35	17NC41	
				...S00	...F10	...S00	...F10	...S00	...F10	...S00	...F10	...S00	...F10	...S00	...F10
i	M_{2GN}	J_G	M_1	2.00	6.30	4.00	12.00	6.70	10.80	5.40	21.50	10.80	19.00	9.50	
			n_1	3950	3410	4050	1635	2000	3455	4100	1680	2300	3480	4110	
			I_{M400}	2.4	6.0	4.4	4.8	3.3	9.1	5.8	8.5	5.5	15.8	10.2	
			P_N	0.80	2.20	1.70	2.10	1.40	3.90	2.30	3.80	2.60	6.90	4.10	
			J_M	2.44	8.34	8.34	19.32	19.24	19.24	19.24	36.04	36.04	36.04	36.04	
11.520	632	1.73	M_2				129		117		237	116	210	103	
			c				4.6		4.0		2.5	4.5	2.3	4.3	
			n_2 Eck				142		300		146		200	302	357
			n_2 th				142		246		146		200	217	249
12.978	592	2.61	M_2				147		133		268	132	237	116	
			c				3.8		3.3		2.1	3.8	1.9	3.5	
			n_2 Eck				126		266		130		177	268	317
			n_2 th				126		210		129		177	182	213
14.743	602	1.95	M_2		86										
			c		5.1										
			n_2 Eck		231										
			n_2 th		231										
14.743	641	1.95	M_2				167		151	73	304	150	270	133	
			c				3.6		3.1	5.9	2.0	3.6	1.8	3.4	
			n_2 Eck				111		234	278	114	156	236	279	
			n_2 th				111		212	240	114	156	181	211	
16.128	643	1.68	M_2		95		183	100	166	81	334	165	295	145	
			c		5.0		3.3	5.6	2.9	5.4	1.8	3.3	1.6	3.1	
			n_2 Eck		211		101	124	214	254	104	143	216	255	
			n_2 th		211		101	124	197	223	104	143	164	193	
18.169	600	1.57	M_2		108		208	114	188	92	377	187	334	165	
			c		4.1		2.8	4.6	2.4	4.5	1.5	2.7	1.4	2.6	
			n_2 Eck		188		90	110	190	226	93	127	192	226	
			n_2 th		188		90	110	168	191	92	127	132	171	
20.571	645	1.19	M_2		122	76	236	129	213	104	427	212	378	187	
			c		3.9	5.8	2.6	4.4	2.3	4.3	1.5	2.6	1.3	2.4	
			n_2 Eck		166	197	80	97	168	199	82	112	169	200	
			n_2 th		166	193	79	97	164	175	82	112	130	151	
23.175	604	1.13	M_2		138	86	267	147	241	118	482	240	427	211	
			c		3.2	4.8	2.2	3.6	1.9	3.6	1.2	2.2	1.1	2.0	
			n_2 Eck		147	175	71	86	149	177	73	99	150	177	
			n_2 th		147	166	71	86	138	155	72	99	107	134	
25.200	651	0.90	M_2		150	93	290	159	261	128	524	260	464	229	
			c		3.7	5.4	2.2	4.0	2.1	4.0	1.2	2.4	1.2	2.3	
			n_2 Eck		135	161	65	79	137	163	67	91	138	163	
			n_2 th		135	161	65	79	137	142	67	91	119	123	
28.389	607	0.86	M_2		170	106	328	180	295	145	592	294		259	
			c		3.0	4.5	1.8	3.3	1.8	3.3	1.0	2.0		1.9	
			n_2 Eck		120	143	58	71	122	144	59	81		145	
			n_2 th		120	143	58	70	122	126	59	81		110	
32.800	641	0.58	M_2		197	123	379	209	342	168					
			c		2.8	4.1	1.7	3.0	1.6	3.0					
			n_2 Eck		104	124	50	61	105	125					
			n_2 th		104	123	50	61	105	109					
36.951	611	0.56	M_2		223	140	428	236	386	190					
			c		2.3	3.5	1.4	2.5	1.4	2.6					
			n_2 Eck		92	110	44	54	94	111					
			n_2 th		92	110	44	54	94	97					
40.800	657	0.43	M_2		246	154	473	261	426	210					
			c		2.3	3.4	1.4	2.5	1.3	2.5					
			n_2 Eck		84	99	40	49	85	101					
			n_2 th		84	99	40	49	85	88					

M ... [Nm]
n ... [r/min]
J ... [kgcm²]

P ... [kW]
I ... [A]
i [-]
c [-]



GFL [Nm]

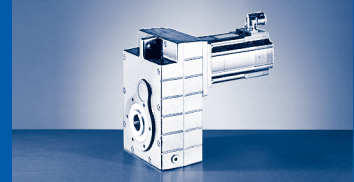
GFL□□-□A (MCA)

$M_{2GN} \leq 660 \text{ Nm}$

GFL06-2A				10IC40	13IC34	13IC41	14LC16	14LC20	14LC35	14LC41	17NC17	17NC23	17NC35	17NC41
				...S00	...F10	...S00	...F10	...S00	...F10	...S00	...F10	...S00	...F10	...S00
i	M_{2GN}	J_G	M_1	2.00	6.30	4.00	12.00	6.70	10.80	5.40	21.50	10.80	19.00	9.50
			n_1	3950	3410	4050	1635	2000	3455	4100	1680	2300	3480	4110
			I_{M400}	2.4	6.0	4.4	4.8	3.3	9.1	5.8	8.5	5.5	15.8	10.2
			P_N	0.80	2.20	1.70	2.10	1.40	3.90	2.30	3.80	2.60	6.90	4.10
			J_M	2.44	8.34	8.34	19.32	19.24	19.24	19.24	36.04	36.04	36.04	36.04
45.963	613	0.41	M_2	85	278	175	534	296	481	238				
			c	5.7	1.9	2.8	1.2	2.1	1.1	2.1				
			$n_{2 \text{ Eck}}$	86	74	88	36	44	75	89				
			$n_{2 \text{ th}}$	86	74	88	36	44	75	78				
52.800	660	0.26	M_2	98	320	201								
			c	5.3	1.8	2.6								
			$n_{2 \text{ Eck}}$	75	65	77								
			$n_{2 \text{ th}}$	75	65	77								
59.481	615	0.25	M_2	111	362	228								
			c	4.4	1.5	2.2								
			$n_{2 \text{ Eck}}$	66	57	68								
			$n_{2 \text{ th}}$	66	57	68								
64.080	576	0.19	M_2	121	391	246								
			c	3.8	1.3	1.9								
			$n_{2 \text{ Eck}}$	62	53	63								
			$n_{2 \text{ th}}$	62	53	63								
72.189	616	0.19	M_2	136	440	277								
			c	4.0	1.3	2.0								
			$n_{2 \text{ Eck}}$	55	47	56								
			$n_{2 \text{ th}}$	55	47	56								
81.000	435	0.13	M_2	155										
			c	2.5										
			$n_{2 \text{ Eck}}$	49										
			$n_{2 \text{ th}}$	49										
91.250	476	0.12	M_2	174										
			c	2.5										
			$n_{2 \text{ Eck}}$	43										
			$n_{2 \text{ th}}$	43										

$M \dots$ [Nm]
 $n \dots$ [r/min]
 $J \dots$ [kgcm²]

$P \dots$ [kW]
 $I \dots$ [A]
 i [-]
 c [-]

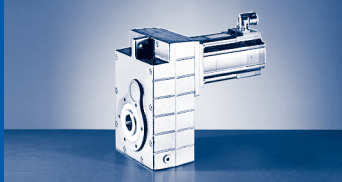


$M_{2GN} \leq 634 \text{ Nm}$

GFL06-3A				10IC40	13IC34	13IC41
				...500	...F10	...500
i	M_{2GN}	J_G	M_1			
			n_1	3950	3410	4050
			I_{M400}	2.4	6.0	4.4
			P_N	0.80	2.20	1.70
			J_M	2.44	8.34	8.34
66.213	497	0.29	M_2	123	398	251
			c	3.6	1.2	1.8
			$n_2 \text{ Eck}$	60	52	61
			$n_2 \text{ th}$	60	52	61
			M_2	134	433	273
72.000	497	0.26	c	3.3	1.1	1.6
			$n_2 \text{ Eck}$	55	47	56
			$n_2 \text{ th}$	55	47	56
			M_2	152		309
			c	2.9		1.5
81.111	497	0.26	$n_2 \text{ Eck}$	49		50
			$n_2 \text{ th}$	49		50
			M_2	166		336
			c	2.6		1.3
			$n_2 \text{ Eck}$	45		46
88.200	488	0.19	$n_2 \text{ th}$	45		46
			M_2	187		379
			c	2.6		1.3
			$n_2 \text{ Eck}$	40		41
			$n_2 \text{ th}$	40		41
99.361	550	0.19	M_2	220		
			c	2.2		
			$n_2 \text{ Eck}$	34		
			$n_2 \text{ th}$	34		
			M_2	248		502
116.571	528	0.09	c	2.2		1.1
			$n_2 \text{ Eck}$	30		31
			$n_2 \text{ th}$	30		31
			M_2	273		
			c	1.9		
131.323	595	0.21	$n_2 \text{ Eck}$	27		
			$n_2 \text{ th}$	27		
			M_2	308		
			c	1.8		
			$n_2 \text{ Eck}$	24		
144.320	560	0.11	$n_2 \text{ th}$	24		
			M_2	341		
			c	1.6		
			$n_2 \text{ Eck}$	22		
			$n_2 \text{ th}$	22		
162.583	613	0.11	M_2	385		
			c	1.4		
			$n_2 \text{ Eck}$	20		
			$n_2 \text{ th}$	20		
			M_2	440		
179.520	605	0.10	c	1.3		
			$n_2 \text{ Eck}$	17		
			$n_2 \text{ th}$	17		
			M_2	497		
			c	1.1		
202.237	611	0.10	$n_2 \text{ Eck}$	15		
			$n_2 \text{ th}$	15		
			M_2	260.457		
			c	1.1		
			$n_2 \text{ Eck}$	15		
231.200	634	0.07	$n_2 \text{ th}$	15		

$M \dots$ [Nm]
 $n \dots$ [r/min]
 $J \dots$ [kgcm²]

$P \dots$ [kW]
 $I \dots$ [A]
 i [-]
 c [-]



GFL [Nm]

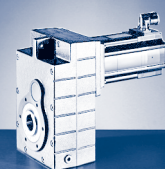
GFL□□-□A (MCA)

$M_{2GN} \leq 1378 \text{ Nm}$

GFL07-2A				10IC40	13IC34	13IC41	14LC16	14LC20	14LC35	14LC41	17NC17
				...S00	...F10	...S00	...F10	...S00	...F10	...S00	...F10
i	M_{2GN}	J_G	M_1								
			n_1	2.00	6.30	4.00	12.00	6.70	10.80	5.40	21.50
			I_{M400}	3950	3410	4050	1635	2000	3455	4100	1680
			P_N	2.4	6.0	4.4	4.8	3.3	9.1	5.8	8.5
			J_M	0.80	2.20	1.70	2.10	1.40	3.90	2.30	3.80
			M_2	2.44	8.34	8.34	19.32	19.24	19.24	19.24	36.04
3.350	349	19.57	c								67
			n_2 Eck								4.8
			n_2 th								502
			n_2 th								502
3.350	639	19.57	M_2								
			c								
			n_2 Eck								
			n_2 th								
4.643	483	11.99	M_2								93
			c								4.8
			n_2 Eck								362
			n_2 th								362
4.643	653	11.99	M_2								
			c								
			n_2 Eck								
			n_2 th								
5.159	537	11.12	M_2								103
			c								4.8
			n_2 Eck								326
			n_2 th								326
5.159	850	11.12	M_2								
			c								
			n_2 Eck								
			n_2 th								
5.695	592	18.09	M_2								114
			c								4.8
			n_2 Eck								295
			n_2 th								295
5.695	914	18.09	M_2								
			c								
			n_2 Eck								
			n_2 th								
6.400	463	9.83	M_2						64		
			c						5.2		
			n_2 Eck						540		
			n_2 th						466		
6.400	541	9.83	M_2								130
			c								3.9
			n_2 Eck								263
			n_2 th								263
6.400	662	9.83	M_2								
			c								
			n_2 Eck								
			n_2 th								
7.150	744	11.88	M_2								143
			c								4.8
			n_2 Eck								235
			n_2 th								235
7.150	918	11.88	M_2								
			c								
			n_2 Eck								
			n_2 th								

$M \dots$ [Nm]
 $n \dots$ [r/min]
 $J \dots$ [kgcm²]

$P \dots$ [kW]
 $I \dots$ [A]
 i [-]
 c [-]

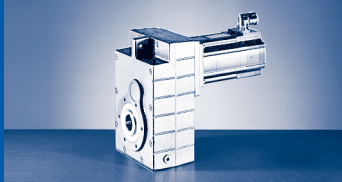


$M_{2GN} \leq 1378 \text{ Nm}$

17NC35	17NC41	19SC17	19SC35	19SC42	21XC17	21XC25	21XC35	21XC42	GFL07-2A			
...F10	...S00	...F10	...F10	...S00	...F10	...S00	...F10	...S00	M_1	J_G	M_{2GN}	i
19.00	9.50	36.30	36.00	12.00	61.40	24.60	55.00	17.00	n_1			
3480	4110	1700	3510	4150	1710	2490	3520	4160	I_{M400}			
15.8	10.2	13.9	28.7	14.0	22.5	13.5	42.5	19.8	P_N			
6.90	4.10	6.40	13.20	5.20	11.00	6.40	20.30	7.40	J_M			
36.04	36.04	72.12	72.04	72.12	180.04	180.04	180.04	180.04	M_2			
60									c			
4.3									$n_{2 \text{ Eck}}$	19.57	349	3.350
1039									$n_{2 \text{ th}}$			
631		113	113		195		176		M_2			
		5.2	4.1		3.1		2.7		c	19.57	639	3.350
		508	1048		511		1051		$n_{2 \text{ Eck}}$			
		508	626		510		567		$n_{2 \text{ th}}$			
83									M_2			
4.3									c	11.99	483	4.643
750									$n_{2 \text{ Eck}}$			
524									$n_{2 \text{ th}}$			
		159	159		273	106	245		M_2			
		3.8	3.0		2.3	5.0	2.0		c	11.99	653	4.643
		366	756		368	536	758		$n_{2 \text{ Eck}}$			
		366	487		368	434	434		$n_{2 \text{ th}}$			
92									M_2			
4.3									c	11.12	537	5.159
675									$n_{2 \text{ Eck}}$			
410									$n_{2 \text{ th}}$			
		175	175		302	117	272		M_2			
		4.5	3.6		2.7	5.8	2.3		c	11.12	850	5.159
		330	680		332	483	682		$n_{2 \text{ Eck}}$			
		330	393		331	390	354		$n_{2 \text{ th}}$			
101									M_2			
4.3									c	18.09	592	5.695
611									$n_{2 \text{ Eck}}$			
371									$n_{2 \text{ th}}$			
		194	194		334	129	300		M_2			
		4.4	3.5		2.6	5.7	2.3		c	18.09	914	5.695
		299	616		300	437	618		$n_{2 \text{ Eck}}$			
		299	354		300	354	319		$n_{2 \text{ th}}$			
									M_2			
									c	9.83	463	6.400
									$n_{2 \text{ Eck}}$			
									$n_{2 \text{ th}}$			
115									M_2			
3.5									c	9.83	541	6.400
544									$n_{2 \text{ Eck}}$			
429									$n_{2 \text{ th}}$			
		221	221		379	149	340	102	M_2			
		2.8	2.2		1.7	3.7	1.5	4.5	c	9.83	662	6.400
		266	548		267	389	550	650	$n_{2 \text{ Eck}}$			
		266	383		267	315	315	315	$n_{2 \text{ th}}$			
127									M_2			
4.3									c	11.88	744	7.150
487									$n_{2 \text{ Eck}}$			
341									$n_{2 \text{ th}}$			
		245	245		421	164	378	112	M_2			
		3.5	2.8		2.1	4.6	1.8	5.5	c	11.88	918	7.150
		238	491		239	348	492	582	$n_{2 \text{ Eck}}$			
		238	310		239	282	271	282	$n_{2 \text{ th}}$			

M ... [Nm]
n ... [r/min]
J ... [kgcm²]

P ... [kW]
I ... [A]
i [-]
c [-]



GFL [Nm]

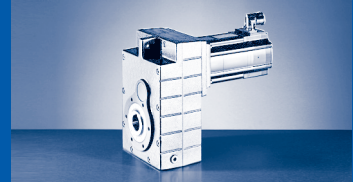
GFL□□-□A (MCA)

$M_{2GN} \leq 1378 \text{ Nm}$

GFL07-2A				10IC40	13IC34	13IC41	14LC16	14LC20	14LC35	14LC41	17NC17
				...S00	...F10	...S00	...F10	...S00	...F10	...S00	...F10
i	M_{2GN}	J_G	M_1								
			n_1	2.00	6.30	4.00	12.00	6.70	10.80	5.40	21.50
			I_{M400}	3950	3410	4050	1635	2000	3455	4100	1680
			P_N	2.4	6.0	4.4	4.8	3.3	9.1	5.8	8.5
			J_M	0.80	2.20	1.70	2.10	1.40	3.90	2.30	3.80
			M_2	2.44	8.34	8.34	19.32	19.24	19.24	19.24	36.04
8.324	866	13.11	c								167
			n_2 Eck								4.8
			n_2 th								202
			n_2 th								202
8.324	993	13.11	M_2								
			c								
			n_2 Eck								
			n_2 th								
9.379	976	12.04	M_2								188
			c								4.8
			n_2 Eck								179
			n_2 th								179
9.379	999	12.04	M_2								
			c								
			n_2 Eck								
			n_2 th								
9.714	757	8.03	M_2						97		
			c						5.6		
			n_2 Eck						356		
			n_2 th						300		
9.714	885	8.03	M_2								196
			c								4.2
			n_2 Eck								173
			n_2 th								173
9.714	969	8.03	M_2								
			c								
			n_2 Eck								
			n_2 th								
11.538	1080	8.52	M_2								232
			c								4.3
			n_2 Eck								146
			n_2 th								146
13.000	1089	7.97	M_2								263
			c								3.9
			n_2 Eck								129
			n_2 th								129
14.200	1106	6.35	M_2						142		
			c						5.6		
			n_2 Eck						243		
			n_2 th						205		
14.200	1143	6.35	M_2								288
			c								3.7
			n_2 Eck								118
			n_2 th								118
15.904	1150	5.27	M_2						159		
			c						5.2		
			n_2 Eck						217		
			n_2 th						187		
15.904	1179	5.27	M_2								323
			c								3.4
			n_2 Eck								106
			n_2 th								106

$M \dots$ [Nm]
 $n \dots$ [r/min]
 $J \dots$ [kgcm²]

$P \dots$ [kW]
 $I \dots$ [A]
 $i \dots$ [-]
 $c \dots$ [-]

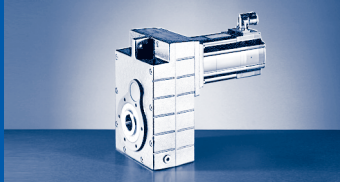


$M_{2GN} \leq 1378 \text{ Nm}$

17NC35	17NC41	19SC17	19SC35	19SC42	21XC17	21XC25	21XC35	21XC42	GFL07-2A			
...F10	...S00	...F10	...F10	...S00	...F10	...S00	...F10	...S00	M_1	J_G	M_{2GN}	i
19.00	9.50	36.30	36.00	12.00	61.40	24.60	55.00	17.00	n_1			
3480	4110	1700	3510	4150	1710	2490	3520	4160	I_{M400}			
15.8	10.2	13.9	28.7	14.0	22.5	13.5	42.5	19.8	P_N			
6.90	4.10	6.40	13.20	5.20	11.00	6.40	20.30	7.40	J_M			
36.04	36.04	72.12	72.04	72.12	180.04	180.04	180.04	180.04	M_2			
148									c	13.11	866	8.324
4.3									$n_{2 \text{ Eck}}$			
418									$n_{2 \text{ th}}$			
254									M_2	13.11	993	8.324
		286	286		491	192	441	131	c			
		3.3	2.6		1.9	4.2	1.7	5.2	$n_{2 \text{ Eck}}$			
		204	422		205	299	423	500	$n_{2 \text{ th}}$			
		204	225		205	242	191	242	M_2			
									c	12.04	976	9.379
167									$n_{2 \text{ Eck}}$			
4.3									$n_{2 \text{ th}}$			
371									M_2	12.04	999	9.379
225									c			
		324	323		555	217	498	149	$n_{2 \text{ Eck}}$			
		2.9	2.3		1.7	3.8	1.5	4.6	$n_{2 \text{ th}}$			
		181	374		182	266	375	444	M_2	8.03	757	9.714
		181	194		171	215	159	215	c			
									$n_{2 \text{ Eck}}$			
									$n_{2 \text{ th}}$			
174									M_2	8.03	885	9.714
3.7									c			
358									$n_{2 \text{ Eck}}$			
276									$n_{2 \text{ th}}$			
		336	335		575	226	516	155	M_2	8.03	969	9.714
		2.7	2.2		1.6	3.5	1.4	4.3	c			
		175	361		176	256	362	428	$n_{2 \text{ Eck}}$			
		175	243		176	207	195	207	$n_{2 \text{ th}}$			
206		400	399	128	684	269	614	184	M_2	8.52	1080	11.538
3.8		2.6	2.0	5.7	1.5	3.3	1.3	4.0	c			
302		147	304	360	148	216	305	361	$n_{2 \text{ Eck}}$			
206		147	178	212	148	175	141	175	$n_{2 \text{ th}}$			
									M_2	7.97	1089	13.000
234		452	450	145	772	304	692	209	c			
3.4		2.3	1.8	5.1	1.4	3.0	1.2	3.6	$n_{2 \text{ Eck}}$			
268		131	270	319	132	192	271	320	$n_{2 \text{ th}}$			
179		131	149	188	126	155	118	155	M_2	6.35	1106	14.200
									c			
									$n_{2 \text{ Eck}}$			
									$n_{2 \text{ th}}$			
256		494	492	159	843	332	757	228	M_2	6.35	1143	14.200
3.3		2.2	1.7	4.9	1.3	2.9	1.1	3.5	c			
245		120	247	292	120	175	248	293	$n_{2 \text{ Eck}}$			
184		120	151	172	120	142	120	142	$n_{2 \text{ th}}$			
									M_2	5.27	1150	15.904
									c			
									$n_{2 \text{ Eck}}$			
									$n_{2 \text{ th}}$			
287	139	554	552	178	946	373	848	256	M_2	5.27	1179	15.904
3.0	5.8	2.0	1.6	4.5	1.2	2.6	1.1	3.2	c			
219	258	107	221	261	108	157	221	262	$n_{2 \text{ Eck}}$			
168	191	107	135	154	108	127	110	127	$n_{2 \text{ th}}$			

M ... [Nm]
n ... [r/min]
J ... [kgcm²]

P ... [kW]
I ... [A]
i [-]
c [-]



GFL [Nm]

GFL□□-□A (MCA)

$M_{2GN} \leq 1378 \text{ Nm}$

GFL07-2A				10IC40	13IC34	13IC41	14LC16	14LC20	14LC35	14LC41	17NC17
				...S00	...F10	...S00	...F10	...S00	...F10	...S00	...F10
i	M_{2GN}	J_G	M_1								
			n_1	2.00	6.30	4.00	12.00	6.70	10.80	5.40	21.50
			I_{M400}	3950	3410	4050	1635	2000	3455	4100	1680
			P_N	2.4	6.0	4.4	4.8	3.3	9.1	5.8	8.5
			J_M	0.80	2.20	1.70	2.10	1.40	3.90	2.30	3.80
			M_2	2.44	8.34	8.34	19.32	19.24	19.24	19.24	36.04
			c				199		180		366
17.920	1189	4.98	n_2 Eck				5.5		4.8		3.1
			n_2 th				91		193		94
			n_2 th				91		164		94
			M_2		119						
			c		5.1						
20.286	828	3.47	n_2 Eck		168						
			n_2 th		168						
			M_2				226		205		
			c				5.1		4.4		
20.286	1233	3.47	n_2 Eck				81		170		
			n_2 th				81		166		
			M_2								415
			c								2.9
20.286	1262	3.47	n_2 Eck								83
			n_2 th								83
			M_2		134						
			c		5.1						
22.857	933	3.27	n_2 Eck		149						
			n_2 th		149						
			M_2				256		232		469
			c				4.5		3.9		2.5
22.857	1240	3.27	n_2 Eck				72		151		74
			n_2 th				72		144		74
			M_2				279		252		
			c				4.5		4.3		
24.850	1295	2.65	n_2 Eck				66		139		
			n_2 th				66		139		
			M_2								510
			c								2.6
24.850	1337	2.65	n_2 Eck								68
			n_2 th								68
			M_2				317		285		577
			c				3.8		3.6		2.1
28.000	1242	2.53	n_2 Eck				58		123		60
			n_2 th				58		123		60
			M_2		190						
			c		4.6						
32.344	1048	1.69	n_2 Eck		105						
			n_2 th		105						
			M_2				366		330		
			c				3.6		3.5		
32.344	1358	1.69	n_2 Eck				51		107		
			n_2 th				51		107		
			M_2								668
			c								2.0
32.344	1370	1.69	n_2 Eck								52
			n_2 th								52
			M_2		215						
			c		4.6						
36.444	1181	1.61	n_2 Eck		94						
			n_2 th		94						

$M \dots$ [Nm]
 $n \dots$ [r/min]
 $J \dots$ [kgcm²]

$P \dots$ [kW]
 $I \dots$ [A]
 $i \dots$ [-]
 $c \dots$ [-]

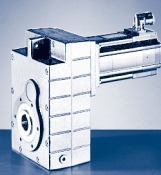


$M_{2GN} \leq 1378 \text{ Nm}$

17NC35	17NC41	19SC17	19SC35	19SC42	21XC17	21XC25	21XC35	21XC42	GFL07-2A			
...F10	...S00	...F10	...F10	...S00	...F10	...S00	...F10	...S00	M_1	J_G	M_{2GN}	i
19.00	9.50	36.30	36.00	12.00	61.40	24.60	55.00	17.00	n_1			
3480	4110	1700	3510	4150	1710	2490	3520	4160	I_{M400}			
15.8	10.2	13.9	28.7	14.0	22.5	13.5	42.5	19.8	P_N			
6.90	4.10	6.40	13.20	5.20	11.00	6.40	20.30	7.40	J_M			
36.04	36.04	72.12	72.04	72.12	180.04	180.04	180.04	180.04	M_2			
324	158	626	623	202	1067	422		290	c	4.98	1189	17.920
2.7	5.2	1.8	1.4	4.1	1.1	2.4		2.9	$n_{2 \text{ Eck}}$			
194	229	95	196	232	95	139		232	$n_{2 \text{ th}}$			
146	166	95	113	137	95	112		112				
									M_2			
									c	3.47	828	20.286
									$n_{2 \text{ Eck}}$			
									$n_{2 \text{ th}}$			
									M_2			
									c	3.47	1233	20.286
									$n_{2 \text{ Eck}}$			
									$n_{2 \text{ th}}$			
368	180	709	706	229					M_2			
2.6	4.8	1.7	1.3	3.8					c	3.47	1262	20.286
172	203	84	173	205					$n_{2 \text{ Eck}}$			
149	153	84	113	121					$n_{2 \text{ th}}$			
									M_2			
									c	3.27	933	22.857
									$n_{2 \text{ Eck}}$			
									$n_{2 \text{ th}}$			
416	204	801	797	260					M_2			
2.2	4.2	1.5	1.2	3.3					c	3.27	1240	22.857
152	180	74	154	182					$n_{2 \text{ Eck}}$			
128	136	74	94	107					$n_{2 \text{ th}}$			
									M_2			
									c	2.65	1295	24.850
									$n_{2 \text{ Eck}}$			
									$n_{2 \text{ th}}$			
451	220	870	865	281					M_2			
2.5	4.7	1.5	1.3	3.7					c	2.65	1337	24.850
140	165	68	141	167					$n_{2 \text{ Eck}}$			
125	125	68	99	99					$n_{2 \text{ th}}$			
510	250	983	977	319					M_2			
2.1	3.9	1.3	1.1	3.1					c	2.53	1242	28.000
124	147	61	125	148					$n_{2 \text{ Eck}}$			
111	111	61	84	87					$n_{2 \text{ th}}$			
									M_2			
									c	1.69	1048	32.344
									$n_{2 \text{ Eck}}$			
									$n_{2 \text{ th}}$			
									M_2			
									c	1.69	1358	32.344
									$n_{2 \text{ Eck}}$			
									$n_{2 \text{ th}}$			
590	290								M_2			
2.0	3.7								c	1.69	1370	32.344
108	127								$n_{2 \text{ Eck}}$			
96	96								$n_{2 \text{ th}}$			
									M_2			
									c	1.61	1181	36.444
									$n_{2 \text{ Eck}}$			
									$n_{2 \text{ th}}$			

$M \dots$ [Nm]
 $n \dots$ [r/min]
 $J \dots$ [kgcm²]

$P \dots$ [kW]
 $I \dots$ [A]
 $i [-]$
 $c [-]$



GFL [Nm]

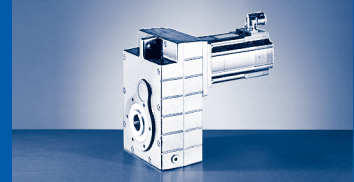
GFL□□-□A (MCA)

$M_{2GN} \leq 1378 \text{ Nm}$

GFL07-2A				10IC40	13IC34	13IC41	14LC16	14LC20	14LC35	14LC41	17NC17
				...S00	...F10	...S00	...F10	...S00	...F10	...S00	...F10
i	M_{2GN}	J_G	M_1	2.00	6.30	4.00	12.00	6.70	10.80	5.40	21.50
			n_1	3950	3410	4050	1635	2000	3455	4100	1680
			I_{M400}	2.4	6.0	4.4	4.8	3.3	9.1	5.8	8.5
			P_N	0.80	2.20	1.70	2.10	1.40	3.90	2.30	3.80
			J_M	2.44	8.34	8.34	19.32	19.24	19.24	19.24	36.04
36.444	1248	1.61	M_2				416	226	375	182	755
			c				2.9	5.3	2.8	5.3	1.6
			$n_{2 \text{ Eck}}$				45	55	95	113	46
			$n_{2 \text{ th}}$				45	55	95	99	46
39.642	1093	1.25	M_2		235	146					
			c		3.9	5.8					
			$n_{2 \text{ Eck}}$		86	102					
			$n_{2 \text{ th}}$		86	102					
39.642	1378	1.25	M_2				452	246	407	198	821
			c				3.0	5.4	2.9	5.4	1.7
			$n_{2 \text{ Eck}}$				41	51	87	103	42
			$n_{2 \text{ th}}$				41	50	87	91	42
44.667	1231	1.20	M_2		265	165					
			c		3.9	5.8					
			$n_{2 \text{ Eck}}$		76	91					
			$n_{2 \text{ th}}$		76	91					
44.667	1258	1.20	M_2				512	280	462	226	928
			c				2.4	4.3	2.3	4.4	1.4
			$n_{2 \text{ Eck}}$				37	45	77	92	38
			$n_{2 \text{ th}}$				37	45	77	80	38
52.067	1127	0.78	M_2		311	195					
			c		3.1	4.6					
			$n_{2 \text{ Eck}}$		66	78					
			$n_{2 \text{ th}}$		65	78					
52.067	1342	0.78	M_2				599	328	539	264	
			c				2.2	4.0	2.1	4.0	
			$n_{2 \text{ Eck}}$				31	38	66	79	
			$n_{2 \text{ th}}$				31	38	66	69	
58.667	1270	0.75	M_2		351	219	677	372	610	300	
			c		3.1	4.6	1.9	3.3	1.8	3.4	
			$n_{2 \text{ Eck}}$		58	69	28	34	59	70	
			$n_{2 \text{ th}}$		58	69	28	34	59	61	
63.190	792	0.57	M_2	117							
			c	5.3							
			$n_{2 \text{ Eck}}$	63							
			$n_{2 \text{ th}}$	63							
63.190	1145	0.57	M_2		380	238					
			c		2.6	3.8					
			$n_{2 \text{ Eck}}$		54	64					
			$n_{2 \text{ th}}$		54	64					
63.190	1240	0.57	M_2				731	402	658	324	
			c				1.7	3.0	1.6	3.1	
			$n_{2 \text{ Eck}}$				26	32	55	65	
			$n_{2 \text{ th}}$				26	32	55	57	
71.200	893	0.56	M_2	131							
			c	5.9							
			$n_{2 \text{ Eck}}$	56							
			$n_{2 \text{ th}}$	55							
71.200	1280	0.56	M_2		427	267	824	454	741	365	
			c		2.8	4.2	1.5	2.8	1.6	3.1	
			$n_{2 \text{ Eck}}$		48	57	23	28	49	58	
			$n_{2 \text{ th}}$		48	57	23	28	49	50	

$M \dots$ [Nm]
 $n \dots$ [r/min]
 $J \dots$ [kgcm²]

$P \dots$ [kW]
 $I \dots$ [A]
 i [-]
 c [-]

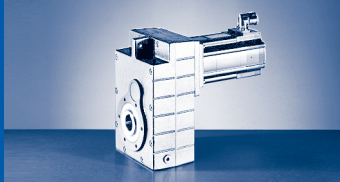


$M_{2GN} \leq 1378 \text{ Nm}$

17NC35	17NC41	19SC17	19SC35	19SC42	21XC17	21XC25	21XC35	21XC42	GFL07-2A			
...F10	...S00	...F10	...F10	...S00	...F10	...S00	...F10	...S00	M_1	J_G	M_{2GN}	i
19.00	9.50	36.30	36.00	12.00	61.40	24.60	55.00	17.00	n_1			
3480	4110	1700	3510	4150	1710	2490	3520	4160	I_{M400}			
15.8	10.2	13.9	28.7	14.0	22.5	13.5	42.5	19.8	P_N			
6.90	4.10	6.40	13.20	5.20	11.00	6.40	20.30	7.40	J_M			
36.04	36.04	72.12	72.04	72.12	180.04	180.04	180.04	180.04	M_2			
668	329								c			
1.6	3.0								$n_{2 \text{ Eck}}$	1.61	1248	36.444
96	113								$n_{2 \text{ th}}$			
85	85								M_2			
									c			
									$n_{2 \text{ Eck}}$	1.25	1093	39.642
									$n_{2 \text{ th}}$			
726	358								M_2			
1.6	3.1								c			
88	104								$n_{2 \text{ Eck}}$	1.25	1378	39.642
78	78								$n_{2 \text{ th}}$			
									M_2			
									c			
									$n_{2 \text{ Eck}}$	1.20	1231	44.667
									$n_{2 \text{ th}}$			
821	405								M_2			
1.3	2.5								c			
78	92								$n_{2 \text{ Eck}}$	1.20	1258	44.667
70	70								$n_{2 \text{ th}}$			
									M_2			
									c			
									$n_{2 \text{ Eck}}$	0.78	1127	52.067
									$n_{2 \text{ th}}$			
									M_2			
									c			
									$n_{2 \text{ Eck}}$	0.78	1342	52.067
									$n_{2 \text{ th}}$			
									M_2			
									c			
									$n_{2 \text{ Eck}}$	0.75	1270	58.667
									$n_{2 \text{ th}}$			
									M_2			
									c			
									$n_{2 \text{ Eck}}$	0.57	792	63.190
									$n_{2 \text{ th}}$			
									M_2			
									c			
									$n_{2 \text{ Eck}}$	0.57	1145	63.190
									$n_{2 \text{ th}}$			
									M_2			
									c			
									$n_{2 \text{ Eck}}$	0.57	1240	63.190
									$n_{2 \text{ th}}$			
									M_2			
									c			
									$n_{2 \text{ Eck}}$	0.56	893	71.200
									$n_{2 \text{ th}}$			
									M_2			
									c			
									$n_{2 \text{ Eck}}$	0.56	1280	71.200
									$n_{2 \text{ th}}$			

$M \dots$ [Nm]
 $n \dots$ [r/min]
 $J \dots$ [kgcm²]

$P \dots$ [kW]
 $I \dots$ [A]
 i [-]
 c [-]



GFL [Nm]

GFL□□-□A (MCA)

$M_{2GN} \leq 1378 \text{ Nm}$

GFL07-2A				10IC40	13IC34	13IC41	14LC16	14LC20	14LC35	14LC41	17NC17
				...S00	...F10	...S00	...F10	...S00	...F10	...S00	...F10
i	M_{2GN}	J_G	M_1								
			n_1	2.00	6.30	4.00	12.00	6.70	10.80	5.40	21.50
			I_{M400}	3950	3410	4050	1635	2000	3455	4100	1680
			P_N	2.4	6.0	4.4	4.8	3.3	9.1	5.8	8.5
			J_M	0.80	2.20	1.70	2.10	1.40	3.90	2.30	3.80
			M_2	2.44	8.34	8.34	19.32	19.24	19.24	19.24	36.04
79.875	796	0.37	c	149							
			$n_{2 \text{ Eck}}$	4.7							
			$n_{2 \text{ th}}$	50							
			$n_{2 \text{ th}}$	49							
79.875	854	0.37	M_2		485	305					
			c		1.7	2.5					
			$n_{2 \text{ Eck}}$		43	51					
			$n_{2 \text{ th}}$		43	51					
90.000	897	0.36	M_2	168							
			c	4.7							
			$n_{2 \text{ Eck}}$	44							
			$n_{2 \text{ th}}$	44							
90.000	930	0.36	M_2		547	344					
			c		1.6	2.4					
			$n_{2 \text{ Eck}}$		38	45					
			$n_{2 \text{ th}}$		38	45					

M ... [Nm]
 n ... [r/min]
 J ... [kgcm²]

P ... [kW]
 I ... [A]
 i [-]
 c [-]

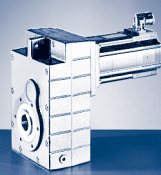


$M_{2GN} \leq 1378 \text{ Nm}$

17NC35	17NC41	19SC17	19SC35	19SC42	21XC17	21XC25	21XC35	21XC42	GFL07-2A			
...F10	...S00	...F10	...F10	...S00	...F10	...S00	...F10	...S00	M_1	J_G	M_{2GN}	i
19.00	9.50	36.30	36.00	12.00	61.40	24.60	55.00	17.00	n_1			
3480	4110	1700	3510	4150	1710	2490	3520	4160	I_{M400}			
15.8	10.2	13.9	28.7	14.0	22.5	13.5	42.5	19.8	P_N			
6.90	4.10	6.40	13.20	5.20	11.00	6.40	20.30	7.40	J_M			
36.04	36.04	72.12	72.04	72.12	180.04	180.04	180.04	180.04	M_2 c n_{2Eck} n_{2th}	0.37	796	79.875
									M_2 c n_{2Eck} n_{2th}	0.37	854	79.875
									M_2 c n_{2Eck} n_{2th}	0.36	897	90.000
									M_2 c n_{2Eck} n_{2th}	0.36	930	90.000

M ... [Nm]
n ... [r/min]
J ... [kgcm²]

P ... [kW]
I ... [A]
i [-]
c [-]



GFL [Nm]

GFL□□-□A (MCA)

$M_{2GN} \leq 1378 \text{ Nm}$

GFL07-3A				10IC40	13IC34	13IC41	14LC16	14LC20	14LC35	14LC41
				...500	...F10	...500	...F10	...500	...F10	...500
i	M_{2GN}	J_G	M_1							
			n_1	2.00	6.30	4.00	12.00	6.70	10.80	5.40
			I_{M400}	3950	3410	4050	1635	2000	3455	4100
			P_N	2.4	6.0	4.4	4.8	3.3	9.1	5.8
			J_M	0.80	2.20	1.70	2.10	1.40	3.90	2.30
			M_2	2.44	8.34	8.34	19.32	19.24	19.24	19.24
65.306	883	0.79	c		388	244	748	413	672	332
			$n_{2 \text{ Eck}}$		2.2	3.2	1.2	2.1	1.3	2.4
			$n_{2 \text{ th}}$		52	62	25	31	53	63
					52	62	25	31	53	55
72.452	869	0.89	M_2	132	432	272	830	460	747	370
			c	5.7	1.9	2.8	1.1	1.9	1.1	2.1
			$n_{2 \text{ Eck}}$	55	47	56	23	28	48	57
			$n_{2 \text{ th}}$	55	47	56	23	28	47	50
81.636	979	0.88	M_2	148	487	306	936	518	842	416
			c	5.7	1.9	2.8	1.1	1.9	1.1	2.1
			$n_{2 \text{ Eck}}$	48	42	50	20	25	42	50
			$n_{2 \text{ th}}$	48	42	50	20	25	42	44
92.413	961	0.61	M_2	169	553	348		588		473
			c	5.0	1.7	2.5		1.6		1.8
			$n_{2 \text{ Eck}}$	43	37	44		22		44
			$n_{2 \text{ th}}$	43	37	44		22		39
104.127	1082	0.60	M_2	191	623	392		662		533
			c	5.0	1.7	2.5		1.6		1.8
			$n_{2 \text{ Eck}}$	38	33	39		19		39
			$n_{2 \text{ th}}$	38	33	39		19		34
113.206	1040	0.45	M_2	209	678	427		722		581
			c	4.4	1.5	2.2		1.4		1.6
			$n_{2 \text{ Eck}}$	35	30	36		18		36
			$n_{2 \text{ th}}$	35	30	36		18		32
127.556	1171	0.44	M_2	235	764	482		813		654
			c	4.4	1.5	2.2		1.4		1.6
			$n_{2 \text{ Eck}}$	31	27	32		16		32
			$n_{2 \text{ th}}$	31	27	32		16		28
147.347	1140	0.28	M_2	274	885	558				
			c	3.7	1.2	1.8				
			$n_{2 \text{ Eck}}$	27	23	28				
			$n_{2 \text{ th}}$	27	23	27				
166.025	1248	0.27	M_2	309	998	629				
			c	3.6	1.2	1.8				
			$n_{2 \text{ Eck}}$	24	21	24				
			$n_{2 \text{ th}}$	24	21	24				
183.285	1236	0.19	M_2	342	1103	696				
			c	3.2	1.1	1.6				
			$n_{2 \text{ Eck}}$	22	19	22				
			$n_{2 \text{ th}}$	22	19	22				
206.519	1248	0.19	M_2	387		786				
			c	2.9		1.4				
			$n_{2 \text{ Eck}}$	19		20				
			$n_{2 \text{ th}}$	19		20				
224.636	1343	0.18	M_2	421		855				
			c	2.9		1.4				
			$n_{2 \text{ Eck}}$	18		18				
			$n_{2 \text{ th}}$	18		18				
253.111	1258	0.18	M_2	477		966				
			c	2.4		1.2				
			$n_{2 \text{ Eck}}$	16		16				
			$n_{2 \text{ th}}$	16		16				

M ... [Nm]
n ... [r/min]
J ... [kgcm²]

P ... [kW]
I ... [A]
i [-]
c [-]

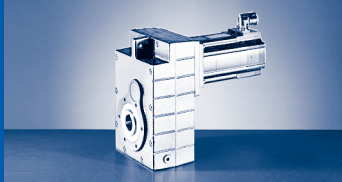


$M_{2GN} \leq 1378 \text{ Nm}$

GFL07-3A				10IC40	13IC34	13IC41	14LC16	14LC20	14LC35	14LC41
				...S00	...F10	...S00	...F10	...S00	...F10	...S00
i	M_{2GN}	J_G	M_1	2.00	6.30	4.00	12.00	6.70	10.80	5.40
			n_1	3950	3410	4050	1635	2000	3455	4100
			I_{M400}	2.4	6.0	4.4	4.8	3.3	9.1	5.8
			P_N	0.80	2.20	1.70	2.10	1.40	3.90	2.30
			J_M	2.44	8.34	8.34	19.32	19.24	19.24	19.24
290.706	1378	0.11	M_2	548						
			c	2.3						
			n_2 Eck	14						
			n_2 th	14						
327.556	1258	0.11	M_2	621						
			c	1.8						
			n_2 Eck	12						
			n_2 th	12						
352.811	1378	0.08	M_2	668						
			c	1.9						
			n_2 Eck	11						
			n_2 th	11						
397.533	1258	0.08	M_2	756						
			c	1.5						
			n_2 Eck	10						
			n_2 th	10						
430.222	1270	0.10	M_2	819						
			c	1.4						
			n_2 Eck	9						
			n_2 th	9						
522.133	1270	0.08	M_2	996						
			c	1.2						
			n_2 Eck	8						
			n_2 th	8						

M ... [Nm]
n ... [r/min]
J ... [kgcm²]

P ... [kW]
I ... [A]
i [-]
c [-]



GFL [Nm]

GFL□□-□A (MCA)

$M_{2GN} \leq 3107 \text{ Nm}$

GFL09-2A				14LC16	14LC20	14LC35	14LC41	17NC17	17NC23	17NC35	17NC41
				...F10	...S00	...F10	...S00	...F10	...S00	...F10	...S00
i	M_{2GN}	J_G	M_1								
			n_1	12.00	6.70	10.80	5.40	21.50	10.80	19.00	9.50
			I_{M400}	1635	2000	3455	4100	1680	2300	3480	4110
			P_N	4.8	3.3	9.1	5.8	8.5	5.5	15.8	10.2
			J_M	2.10	1.40	3.90	2.30	3.80	2.60	6.90	4.10
			J_M	19.32	19.24	19.24	19.24	36.04	36.04	36.04	36.04
6.864	1662	41.30	M_2 c n_2 Eck n_2 th								
6.864	2089	41.30	M_2 c n_2 Eck n_2 th								
7.466	1807	38.70	M_2 c n_2 Eck n_2 th								
7.466	2156	38.70	M_2 c n_2 Eck n_2 th								
9.010	1037	26.80	M_2 c n_2 Eck n_2 th					180 5.3 187 186		160 4.7 386 252	
9.010	2040	26.80	M_2 c n_2 Eck n_2 th								
9.010	2230	26.80	M_2 c n_2 Eck n_2 th								
9.799	1128	25.30	M_2 c n_2 Eck n_2 th					195 5.3 171 171		174 4.7 355 232	
9.799	2219	25.30	M_2 c n_2 Eck n_2 th								
9.799	2310	25.30	M_2 c n_2 Eck n_2 th								
11.167	1156	19.50	M_2 c n_2 Eck n_2 th					224 4.8 151 150		199 4.2 312 218	
11.167	2303	19.50	M_2 c n_2 Eck n_2 th								
12.307	2223	27.60	M_2 c n_2 Eck n_2 th								

$M \dots$ [Nm]
 $n \dots$ [r/min]
 $J \dots$ [kgcm²]

$P \dots$ [kW]
 $I \dots$ [A]
 $i \dots$ [-]
 $c \dots$ [-]

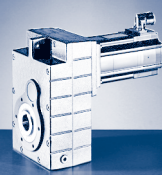


$M_{2GN} \leq 3107 \text{ Nm}$

195C17	195C23	195C35	195C42	21XC17	21XC25	21XC35	21XC42	GFL09-2A			
...F10	...S00	...F10	...S00	...F10	...S00	...F10	...S00	M_1	J_G	M_{2GN}	i
36.30	16.30	36.00	12.00	61.40	24.60	55.00	17.00	n_1			
1700	2340	3510	4150	1710	2490	3520	4160	I_{M400}			
13.9	8.2	28.7	14.0	22.5	13.5	42.5	19.8	P_N			
6.40	4.00	13.20	5.20	11.00	6.40	20.30	7.40	J_M			
72.12	72.12	72.04	72.12	180.04	180.04	180.04	180.04	M_2			
		229						c			
		5.2						$n_{2 \text{ Eck}}$	41.30	1662	6.864
		511						$n_{2 \text{ th}}$			
		298						M_2			
				393		354		c	41.30	2089	6.864
				4.9		4.3		$n_{2 \text{ Eck}}$			
				249		513		$n_{2 \text{ th}}$			
				249		285		M_2			
		249						c	38.70	1807	7.466
		5.2						$n_{2 \text{ Eck}}$			
		470						$n_{2 \text{ th}}$			
		274						M_2			
				428		386		c	38.70	2156	7.466
				4.6		4.1		$n_{2 \text{ Eck}}$			
				229		472		$n_{2 \text{ th}}$			
				229		259		M_2			
								c	26.80	1037	9.010
								$n_{2 \text{ Eck}}$			
								$n_{2 \text{ th}}$			
		302						M_2			
		4.9						c	26.80	2040	9.010
		390						$n_{2 \text{ Eck}}$			
		254						$n_{2 \text{ th}}$			
				520		468		M_2			
				4.0		3.5		c	26.80	2230	9.010
				190		391		$n_{2 \text{ Eck}}$			
				190		223		$n_{2 \text{ th}}$			
								M_2			
								c	25.30	1128	9.799
								$n_{2 \text{ Eck}}$			
								$n_{2 \text{ th}}$			
		329						M_2			
		4.9						c	25.30	2219	9.799
		358						$n_{2 \text{ Eck}}$			
		233						$n_{2 \text{ th}}$			
				567		510		M_2			
				3.8		3.3		c	25.30	2310	9.799
				175		359		$n_{2 \text{ Eck}}$			
				175		205		$n_{2 \text{ th}}$			
								M_2			
								c	19.50	1156	11.167
								$n_{2 \text{ Eck}}$			
								$n_{2 \text{ th}}$			
375		376		649		584		M_2			
5.6		4.5		3.3		2.9		c	19.50	2303	11.167
152		314		153		315		$n_{2 \text{ Eck}}$			
152		219		153		180		$n_{2 \text{ th}}$			
416		417		719		646		M_2			
4.9		3.9		2.9		2.6		c	27.60	2223	12.307
138		285		139		286		$n_{2 \text{ Eck}}$			
138		156		139		141		$n_{2 \text{ th}}$			

M ... [Nm]
n ... [r/min]
J ... [kgcm²]

P ... [kW]
I ... [A]
i [-]
c [-]



GFL [Nm]

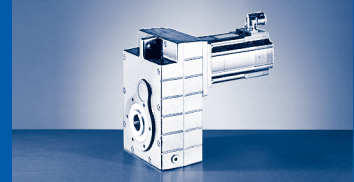
GFL□□-□A (MCA)

$M_{2GN} \leq 3107 \text{ Nm}$

GFL09-2A				14LC16	14LC20	14LC35	14LC41	17NC17	17NC23	17NC35	17NC41
				...F10	...S00	...F10	...S00	...F10	...S00	...F10	...S00
i	M_{2GN}	J_G	M_1								
			n_1	12.00	6.70	10.80	5.40	21.50	10.80	19.00	9.50
			I_{M400}	1635	2000	3455	4100	1680	2300	3480	4110
			P_N	4.8	3.3	9.1	5.8	8.5	5.5	15.8	10.2
			J_M	2.10	1.40	3.90	2.30	3.80	2.60	6.90	4.10
			M_2	19.32	19.24	19.24	19.24	36.04	36.04	36.04	36.04
14.333	1650	20.00	c					286		254	
			$n_{2 \text{ Eck}}$					5.3		4.7	
			$n_{2 \text{ th}}$					117		243	
			$n_{2 \text{ th}}$					117		158	
14.333	2374	20.00	M_2								
			c								
			$n_{2 \text{ Eck}}$								
			$n_{2 \text{ th}}$								
16.333	1692	15.50	M_2					327		291	
			c					4.8		4.2	
			$n_{2 \text{ Eck}}$					103		213	
			$n_{2 \text{ th}}$					103		149	
16.333	2461	15.50	M_2								
			c								
			$n_{2 \text{ Eck}}$								
			$n_{2 \text{ th}}$								
18.407	1906	14.60	M_2					369		328	
			c					4.8		4.2	
			$n_{2 \text{ Eck}}$					91		189	
			$n_{2 \text{ th}}$					91		132	
18.407	2480	14.60	M_2								
			c								
			$n_{2 \text{ Eck}}$								
			$n_{2 \text{ th}}$								
19.667	1524	12.10	M_2			196					
			c			5.6					
			$n_{2 \text{ Eck}}$			176					
			$n_{2 \text{ th}}$			148					
19.667	1784	12.10	M_2					397		352	
			c					4.2		3.7	
			$n_{2 \text{ Eck}}$					85		177	
			$n_{2 \text{ th}}$					85		136	
19.667	2563	12.10	M_2								
			c								
			$n_{2 \text{ Eck}}$								
			$n_{2 \text{ th}}$								
22.164	1717	11.30	M_2			221					
			c			5.6					
			$n_{2 \text{ Eck}}$			156					
			$n_{2 \text{ th}}$			131					
22.164	2010	11.30	M_2					447		397	
			c					4.2		3.7	
			$n_{2 \text{ Eck}}$					76		157	
			$n_{2 \text{ th}}$					76		121	
22.164	2612	11.30	M_2								
			c								
			$n_{2 \text{ Eck}}$								
			$n_{2 \text{ th}}$								
24.111	1876	9.04	M_2					489		432	
			c					3.7		3.6	
			$n_{2 \text{ Eck}}$					70		144	
			$n_{2 \text{ th}}$					70		120	

$M \dots$ [Nm]
 $n \dots$ [r/min]
 $J \dots$ [kgcm²]

$P \dots$ [kW]
 $I \dots$ [A]
 i [-]
 c [-]

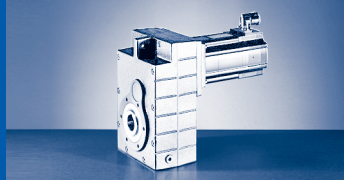


$M_{2GN} \leq 3107 \text{ Nm}$

195C17	195C23	195C35	195C42	21XC17	21XC25	21XC35	21XC42	GFL09-2A			
...F10	...S00	...F10	...S00	...F10	...S00	...F10	...S00	M_1	J_G	M_{2GN}	i
36.30	16.30	36.00	12.00	61.40	24.60	55.00	17.00	n_1			
1700	2340	3510	4150	1710	2490	3520	4160	I_{M400}			
13.9	8.2	28.7	14.0	22.5	13.5	42.5	19.8	P_N			
6.40	4.00	13.20	5.20	11.00	6.40	20.30	7.40	J_M			
72.12	72.12	72.04	72.12	180.04	180.04	180.04	180.04	M_2 c $n_{2\text{Eck}}$ $n_{2\text{th}}$	20.00	1650	14.333
487		487		839	325	754		M_2 c $n_{2\text{Eck}}$ $n_{2\text{th}}$	20.00	2374	14.333
4.5		3.6		2.7	5.9	2.3					
119		245		119	174	246					
119		149		119	140	135					
								M_2 c $n_{2\text{Eck}}$ $n_{2\text{th}}$	15.50	1692	16.333
557		557		959	372	861		M_2 c $n_{2\text{Eck}}$ $n_{2\text{th}}$	15.50	2461	16.333
4.1		3.3		2.4	5.3	2.1					
104		215		105	153	216					
104		140		105	123	123					
								M_2 c $n_{2\text{Eck}}$ $n_{2\text{th}}$	14.60	1906	18.407
630		630		1083	422	973	289	M_2 c $n_{2\text{Eck}}$ $n_{2\text{th}}$	14.60	2480	18.407
3.7		2.9		2.2	4.8	1.9	5.8				
92		191		93	135	191	226				
92		122		93	109	108	109				
								M_2 c $n_{2\text{Eck}}$ $n_{2\text{th}}$	12.10	1524	19.667
								M_2 c $n_{2\text{Eck}}$ $n_{2\text{th}}$	12.10	1784	19.667
674		674		1158	452	1040	309	M_2 c $n_{2\text{Eck}}$ $n_{2\text{th}}$	12.10	2563	19.667
3.6		2.8		2.1	4.6	1.8	5.6				
86		179		87	127	179	212				
86		125		87	102	102	102				
								M_2 c $n_{2\text{Eck}}$ $n_{2\text{th}}$	11.30	1717	22.164
								M_2 c $n_{2\text{Eck}}$ $n_{2\text{th}}$	11.30	2010	22.164
763		762		1308	512	1175	350	M_2 c $n_{2\text{Eck}}$ $n_{2\text{th}}$	11.30	2612	22.164
3.2		2.5		1.9	4.2	1.7	5.1				
77		158		77	112	159	188				
77		110		77	91	91	91				
								M_2 c $n_{2\text{Eck}}$ $n_{2\text{th}}$	9.04	1876	24.111

M ... [Nm]
n ... [r/min]
J ... [kgcm²]

P ... [kW]
I ... [A]
i [-]
c [-]



GFL [Nm]

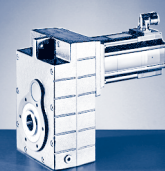
GFL□□-□A (MCA)

$M_{2GN} \leq 3107 \text{ Nm}$

GFL09-2A				14LC16	14LC20	14LC35	14LC41	17NC17	17NC23	17NC35	17NC41
				...F10	...S00	...F10	...S00	...F10	...S00	...F10	...S00
i	M_{2GN}	J_G	M_1	12.00	6.70	10.80	5.40	21.50	10.80	19.00	9.50
			n_1	1635	2000	3455	4100	1680	2300	3480	4110
			I_{M400}	4.8	3.3	9.1	5.8	8.5	5.5	15.8	10.2
			P_N	2.10	1.40	3.90	2.30	3.80	2.60	6.90	4.10
			J_M	19.32	19.24	19.24	19.24	36.04	36.04	36.04	36.04
24.111	2722	9.04	M_2 c n_2 Eck n_2 th								
27.173	2114	8.63	M_2 c n_2 Eck n_2 th					551 3.7 62 62		487 3.6 128 106	
27.173	2767	8.63	M_2 c n_2 Eck n_2 th								
32.667	1699	5.43	M_2 c n_2 Eck n_2 th	367 4.5 50 50		331 4.3 106 106					
32.667	1990	5.43	M_2 c n_2 Eck n_2 th					668 2.9 51 51	326 5.7 70 70	591 2.8 107 95	288 5.4 126 95
32.667	2990	5.43	M_2 c n_2 Eck n_2 th								
36.815	1915	5.21	M_2 c n_2 Eck n_2 th	413 4.5 44 44		373 4.3 94 94					
36.815	2242	5.21	M_2 c n_2 Eck n_2 th					753 2.9 46 46	367 5.7 63 62	666 2.8 95 85	324 5.4 112 85
36.815	3018	5.21	M_2 c n_2 Eck n_2 th								
39.667	1761	4.07	M_2 c n_2 Eck n_2 th	448 3.8 41 41		404 3.7 87 87					
39.667	2061	4.07	M_2 c n_2 Eck n_2 th					815 2.5 42 42	399 4.9 58 58	721 2.4 88 78	352 4.6 104 78
39.667	3107	4.07	M_2 c n_2 Eck n_2 th								
44.704	1985	3.92	M_2 c n_2 Eck n_2 th	505 3.8 37 37		456 3.7 77 77					

$M \dots$ [Nm]
 $n \dots$ [r/min]
 $J \dots$ [kgcm²]

$P \dots$ [kW]
 $I \dots$ [A]
 $i \dots$ [-]
 $c \dots$ [-]

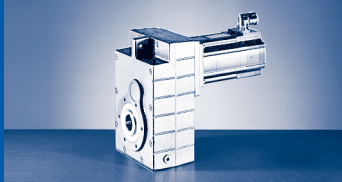


$M_{2GN} \leq 3107 \text{ Nm}$

195C17	195C23	195C35	195C42	21XC17	21XC25	21XC35	21XC42	GFL09-2A			
...F10	...S00	...F10	...S00	...F10	...S00	...F10	...S00	M_1	J_G	M_{2GN}	i
36.30	16.30	36.00	12.00	61.40	24.60	55.00	17.00	n_1			
1700	2340	3510	4150	1710	2490	3520	4160	I_{M400}			
13.9	8.2	28.7	14.0	22.5	13.5	42.5	19.8	P_N			
6.40	4.00	13.20	5.20	11.00	6.40	20.30	7.40	J_M			
72.12	72.12	72.04	72.12	180.04	180.04	180.04	180.04	M_2			
830		827		1423	554	1276	379	c	9.04	2722	24.111
3.2		2.8		1.9	4.5	1.8	5.5	$n_{2 \text{ Eck}}$			
71		146		71	103	146	173	$n_{2 \text{ th}}$			
71		102		71	84	84	84	M_2			
								c	8.63	2114	27.173
								$n_{2 \text{ Eck}}$			
								$n_{2 \text{ th}}$			
938		934		1607	628	1441	430	M_2			
2.9		2.5		1.7	4.1	1.6	5.0	c	8.63	2767	27.173
63		129		63	92	130	153	$n_{2 \text{ Eck}}$			
63		90		63	74	74	74	$n_{2 \text{ th}}$			
								M_2			
								c	5.43	1699	32.667
								$n_{2 \text{ Eck}}$			
								$n_{2 \text{ th}}$			
								M_2			
								c	5.43	1990	32.667
								$n_{2 \text{ Eck}}$			
								$n_{2 \text{ th}}$			
1132	492	1126						M_2			
2.6	5.7	2.2						c	5.43	2990	32.667
52	72	108						$n_{2 \text{ Eck}}$			
52	72	75						$n_{2 \text{ th}}$			
								M_2			
								c	5.21	1915	36.815
								$n_{2 \text{ Eck}}$			
								$n_{2 \text{ th}}$			
								M_2			
								c	5.21	2242	36.815
								$n_{2 \text{ Eck}}$			
								$n_{2 \text{ th}}$			
1279	558	1273	408					M_2			
2.3	5.1	2.0	5.7					c	5.21	3018	36.815
46	64	95	113					$n_{2 \text{ Eck}}$			
46	64	67	67					$n_{2 \text{ th}}$			
								M_2			
								c	4.07	1761	39.667
								$n_{2 \text{ Eck}}$			
								$n_{2 \text{ th}}$			
								M_2			
								c	4.07	2061	39.667
								$n_{2 \text{ Eck}}$			
								$n_{2 \text{ th}}$			
1379	602	1372	441					M_2			
2.2	4.9	1.9	5.5					c	4.07	3107	39.667
43	59	89	105					$n_{2 \text{ Eck}}$			
43	59	62	62					$n_{2 \text{ th}}$			
								M_2			
								c	3.92	1985	44.704
								$n_{2 \text{ Eck}}$			
								$n_{2 \text{ th}}$			

M ... [Nm]
n ... [r/min]
J ... [kgcm²]

P ... [kW]
I ... [A]
i [-]
c [-]



GFL [Nm]

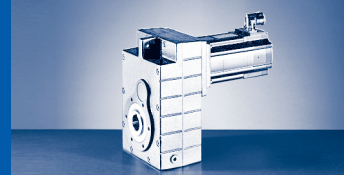
GFL□□-□A (MCA)

$M_{2GN} \leq 3107 \text{ Nm}$

GFL09-2A				14LC16	14LC20	14LC35	14LC41	17NC17	17NC23	17NC35	17NC41
				...F10	...500	...F10	...500	...F10	...500	...F10	...500
i	M_{2GN}	J_G	M_1								
			n_1	12.00	6.70	10.80	5.40	21.50	10.80	19.00	9.50
			I_{M400}	1635	2000	3455	4100	1680	2300	3480	4110
			P_N	4.8	3.3	9.1	5.8	8.5	5.5	15.8	10.2
			J_M	2.10	1.40	3.90	2.30	3.80	2.60	6.90	4.10
			M_2	19.32	19.24	19.24	19.24	36.04	36.04	36.04	36.04
44.704	2323	3.92	c					918	450	812	397
			n_2 Eck					2.5	4.9	2.4	4.6
			n_2 th					38	52	78	92
			n_2 th					38	51	70	70
44.704	3027	3.92	M_2								
			c								
			n_2 Eck								
			n_2 th								
51.333	1825	2.59	M_2	585	318	527	256				
			c	3.1	5.5	2.9	5.5				
			n_2 Eck	32	39	67	80				
			n_2 th	32	39	67	70				
51.333	2136	2.59	M_2					1060	522	937	460
			c					2.0	3.9	1.9	3.7
			n_2 Eck					33	45	68	80
			n_2 th					33	45	61	61
57.852	2057	2.50	M_2	659	359	594	289				
			c	3.1	5.5	2.9	5.5				
			n_2 Eck	28	35	60	71				
			n_2 th	28	35	60	62				
57.852	2407	2.50	M_2					1194	588	1056	519
			c					2.0	3.9	1.9	3.7
			n_2 Eck					29	40	60	71
			n_2 th					29	40	54	54
62.300	1854	1.89	M_2	714	390	643	314				
			c	2.6	4.6	2.4	4.6				
			n_2 Eck	26	32	56	66				
			n_2 th	26	32	55	58				
62.300	2170	1.89	M_2					1291	637	1141	562
			c					1.7	3.3	1.6	3.1
			n_2 Eck					27	37	56	66
			n_2 th					27	37	50	50
70.211	2090	1.83	M_2	804	440	723	352				
			c	2.6	4.6	2.7	5.1				
			n_2 Eck	23	29	49	58				
			n_2 th	23	28	49	51				
70.211	2445	1.83	M_2					1454	718	1284	631
			c					1.7	3.3	1.8	3.4
			n_2 Eck					24	33	50	59
			n_2 th					24	33	44	44
78.750	1631	1.25	M_2	910	500	818	402				
			c	1.8	3.2	1.9	3.6				
			n_2 Eck	21	25	44	52				
			n_2 th	21	25	44	46				
88.750	1781	1.21	M_2	1026	565	922	453				
			c	1.7	3.1	1.8	3.5				
			n_2 Eck	18	23	39	46				
			n_2 th	18	23	39	40				

$M \dots$ [Nm]
 $n \dots$ [r/min]
 $J \dots$ [kgcm²]

$P \dots$ [kW]
 $I \dots$ [A]
 i [-]
 c [-]

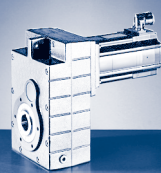


$M_{2GN} \leq 3107 \text{ Nm}$

195C17	195C23	195C35	195C42	21XC17	21XC25	21XC35	21XC42	GFL09-2A			
...F10	...S00	...F10	...S00	...F10	...S00	...F10	...S00	M_1	J_G	M_{2GN}	i
36.30	16.30	36.00	12.00	61.40	24.60	55.00	17.00	n_1			
1700	2340	3510	4150	1710	2490	3520	4160	I_{M400}			
13.9	8.2	28.7	14.0	22.5	13.5	42.5	19.8	P_N			
6.40	4.00	13.20	5.20	11.00	6.40	20.30	7.40	J_M			
72.12	72.12	72.04	72.12	180.04	180.04	180.04	180.04	M_2 c n_2 Eck n_2 th	3.92	2323	44.704
1559	684	1551	501					M_2 c n_2 Eck n_2 th	3.92	3027	44.704
1.9	4.2	1.7	4.7					M_2 c n_2 Eck n_2 th	2.59	1825	51.333
38	52	79	93					M_2 c n_2 Eck n_2 th	2.59	2136	51.333
38	52	55	55					M_2 c n_2 Eck n_2 th	2.50	2057	57.852
								M_2 c n_2 Eck n_2 th	2.50	2407	57.852
								M_2 c n_2 Eck n_2 th	1.89	1854	62.300
								M_2 c n_2 Eck n_2 th	1.89	2170	62.300
								M_2 c n_2 Eck n_2 th	1.83	2090	70.211
								M_2 c n_2 Eck n_2 th	1.83	2445	70.211
								M_2 c n_2 Eck n_2 th	1.25	1631	78.750
								M_2 c n_2 Eck n_2 th	1.21	1781	88.750

M ... [Nm]
n ... [r/min]
J ... [kgcm²]

P ... [kW]
I ... [A]
i [-]
c [-]



GFL [Nm]
GFL□□-□A (MCA)

M_{2GN} ≤ 3170 Nm

GFL09-3A				10IC40	13IC34	13IC41	14LC16	14LC20	14LC35	14LC41	17NC17	17NC23	17NC35	17NC41	
				...S00	...F10	...S00	...F10	...S00	...F10	...S00	...F10	...S00	...F10	...S00	...F10
i	M _{2GN}	J _G	M ₁	2.00	6.30	4.00	12.00	6.70	10.80	5.40	21.50	10.80	19.00	9.50	
			n ₁	3950	3410	4050	1635	2000	3455	4100	1680	2300	3480	4110	
			I _{M 400}	2.4	6.0	4.4	4.8	3.3	9.1	5.8	8.5	5.5	15.8	10.2	
			P _N	0.80	2.20	1.70	2.10	1.40	3.90	2.30	3.80	2.60	6.90	4.10	
			J _M	2.44	8.34	8.34	19.32	19.24	19.24	19.24	36.04	36.04	36.04	36.04	
63.326	1510	2.34	M ₂		372	232	718	394	647	317	1299	645	1148	568	
			c		3.4	5.1	2.1	3.7	2.0	3.8	1.2	2.3	1.1	2.1	
			n _{2 Eck}		54	64	26	32	55	65	27	36	55	65	65
			n _{2 th}		54	64	26	32	55	57	27	36	49	49	49
73.173	1517	2.47	M ₂		430	268	832	458	748	367	1503	747	1327	657	
			c		3.3	4.9	1.8	3.2	1.9	3.6	1.0	2.0	1.1	2.1	
			n _{2 Eck}		47	55	22	27	47	56	23	31	48	56	
			n _{2 th}		47	55	22	27	47	49	23	31	38	43	
82.465	1710	2.43	M ₂		485	302	938	516	843	414	1694	842	1496	740	
			c		3.3	4.9	1.8	3.2	1.9	3.6	1.0	2.0	1.1	2.1	
			n _{2 Eck}		41	49	20	24	42	50	20	28	42	50	
			n _{2 th}		41	49	20	24	42	44	20	28	34	38	
93.333	1692	1.68	M ₂		551	344	1064	586	957	471		956		840	
			c		2.9	4.3	1.6	2.8	1.7	3.2		1.8		1.8	
			n _{2 Eck}		37	43	18	21	37	44		25		44	
			n _{2 th}		37	43	18	21	37	38		25		33	
105.185	1907	1.65	M ₂		621	388	1199	661	1078	531		1077		947	
			c		2.9	4.3	1.6	2.8	1.7	3.2		1.8		1.8	
			n _{2 Eck}		32	39	16	19	33	39		22		39	
			n _{2 th}		32	39	16	19	33	34		22		30	
114.333	1847	1.23	M ₂		677	424	1306	720	1174	579		1173		1031	
			c		2.6	3.8	1.4	2.5	1.5	2.8		1.6		1.6	
			n _{2 Eck}		30	35	14	18	30	36		20		36	
			n _{2 th}		30	35	14	17	30	31		20		27	
128.852	2082	1.21	M ₂		763	478	1471	812	1323	652		1322		1162	
			c		2.6	3.8	1.4	2.5	1.5	2.8		1.6		1.6	
			n _{2 Eck}		27	31	13	16	27	32		18		32	
			n _{2 th}		26	31	13	16	27	28		18		24	
148.815	2053	0.77	M ₂		885	555	1703	941	1532	757					
			c		2.2	3.3	1.2	2.2	1.3	2.4					
			n _{2 Eck}		23	27	11	13	23	28					
			n _{2 th}		23	27	11	13	23	24					
167.712	2314	0.76	M ₂		997	626	1919	1061	1726	853					
			c		2.2	3.3	1.2	2.2	1.3	2.4					
			n _{2 Eck}		20	24	10	12	21	25					
			n _{2 th}		20	24	10	12	21	21					
185.111	2232	0.55	M ₂	336	1104	694	2122	1174	1908	944					
			c	5.8	1.9	2.9	1.1	1.9	1.1	2.1					
			n _{2 Eck}	21	18	22	9	11	19	22					
			n _{2 th}	21	18	22	9	11	19	19					
208.617	2515	0.54	M ₂	379	1244	782	2391	1323	2151	1064					
			c	5.8	1.9	2.9	1.1	1.9	1.1	2.1					
			n _{2 Eck}	19	16	19	8	10	17	20					
			n _{2 th}	19	16	19	8	10	17	17					
224.778	2407	0.51	M ₂	411	1343	845		1429		1149					
			c	5.1	1.7	2.5		1.7		1.9					
			n _{2 Eck}	18	15	18		9		18					
			n _{2 th}	18	15	18		9		16					
253.321	2712	0.50	M ₂	463	1514	953		1611		1295					
			c	5.1	1.7	2.5		1.7		1.9					
			n _{2 Eck}	16	14	16		8		16					
			n _{2 th}	16	13	16		8		14					

M ... [Nm]
n ... [r/min]
J ... [kgcm²]

P ... [kW]
I ... [A]
i [-]
c [-]

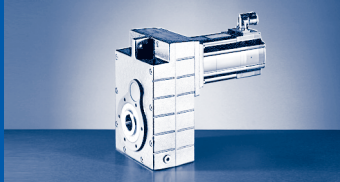


$M_{2GN} \leq 3170 \text{ Nm}$

GFL09-3A				10IC40	13IC34	13IC41	14LC16	14LC20	14LC35	14LC41	17NC17	17NC23	17NC35	17NC41	
				...S00	...F10	...S00	...F10	...S00	...F10	...S00	...F10	...S00	...F10	...S00	
i	M_{2GN}	J_G	M_1	2.00	6.30	4.00	12.00	6.70	10.80	5.40	21.50	10.80	19.00	9.50	
			n_1	3950	3410	4050	1635	2000	3455	4100	1680	2300	3480	4110	
			I_{M400}	2.4	6.0	4.4	4.8	3.3	9.1	5.8	8.5	5.5	15.8	10.2	
			P_N	0.80	2.20	1.70	2.10	1.40	3.90	2.30	3.80	2.60	6.90	4.10	
			J_M	2.44	8.34	8.34	19.32	19.24	19.24	19.24	36.04	36.04	36.04	36.04	
290.889	2640	0.31	M_2	537	1743	1099									
			c	4.3	1.5	2.2									
			$n_{2 \text{ Eck}}$	14	12	14									
			$n_{2 \text{ th}}$	14	12	14									
327.827	2976	0.31	M_2	605	1965	1238									
			c	4.3	1.5	2.2									
			$n_{2 \text{ Eck}}$	12	10	12									
			$n_{2 \text{ th}}$	12	10	12									
353.033	2813	0.23	M_2	655	2120	1337									
			c	3.8	1.3	1.9									
			$n_{2 \text{ Eck}}$	11	10	12									
			$n_{2 \text{ th}}$	11	10	11									
397.863	3170	0.22	M_2	738	2389	1507									
			c	3.8	1.3	1.9									
			$n_{2 \text{ Eck}}$	10	9	10									
			$n_{2 \text{ th}}$	10	9	10									
424.247	2724	0.29	M_2	793	2554	1613									
			c	3.1	1.0	1.5									
			$n_{2 \text{ Eck}}$	9	8	10									
			$n_{2 \text{ th}}$	9	8	10									
514.881	2724	0.21	M_2	968		1963									
			c	2.5		1.3									
			$n_{2 \text{ Eck}}$	8		8									
			$n_{2 \text{ th}}$	8		8									
554.470	2113	0.20	M_2	1051											
			c	1.8											
			$n_{2 \text{ Eck}}$	7											
			$n_{2 \text{ th}}$	7											
624.879	2273	0.20	M_2	1185											
			c	1.7											
			$n_{2 \text{ Eck}}$	6											
			$n_{2 \text{ th}}$	6											
700.875	2113	0.13	M_2	1333											
			c	1.4											
			$n_{2 \text{ Eck}}$	6											
			$n_{2 \text{ th}}$	6											
789.875	2273	0.13	M_2	1504											
			c	1.4											
			$n_{2 \text{ Eck}}$	5											
			$n_{2 \text{ th}}$	5											

M ... [Nm]
n ... [r/min]
J ... [kgcm²]

P ... [kW]
I ... [A]
i [-]
c [-]



GFL [Nm]

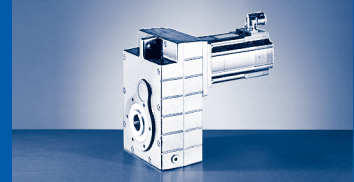
GFL□□-□A (MCA)

$M_{2GN} \leq 5561 \text{ Nm}$

GFL11-2A				14LC16	14LC20	14LC35	14LC41	17NC17	17NC23	17NC35
				...F10	...S00	...F10	...S00	...F10	...S00	...F10
i	M_{2GN}	J_G	M_1							
			n_1	12.00	6.70	10.80	5.40	21.50	10.80	19.00
			I_{M400}	1635	2000	3455	4100	1680	2300	3480
			P_N	4.8	3.3	9.1	5.8	8.5	5.5	15.8
			J_M	2.10	1.40	3.90	2.30	3.80	2.60	6.90
			M_2	19.32	19.24	19.24	19.24	36.04	36.04	36.04
			c							
9.010	3570	79.60	n_2 Eck							
			n_2 th							
			M_2							
			c							
9.799	3767	74.80	n_2 Eck							
			n_2 th							
			M_2							
			c							
10.720	2595	65.00	n_2 Eck							
			n_2 th							
			M_2							
			c							
10.720	3818	65.00	n_2 Eck							
			n_2 th							
			M_2							
			c							
12.480	3466	81.50	n_2 Eck							
			n_2 th							
			M_2							
			c							
14.538	3718	58.40	n_2 Eck							
			n_2 th							
			M_2							
			c							
15.904	3800	51.30	n_2 Eck							
			n_2 th							
			M_2							
			c							
17.920	3789	48.30	n_2 Eck							
			n_2 th							
			M_2							
			c							
20.286	2281	36.10	n_2 Eck					405		360
			n_2 th					5.2		4.6
			M_2					83		172
			c					83		112
			M_2							
			c							
20.286	4045	36.10	n_2 Eck							
			n_2 th							
			M_2							
			c							
22.857	2570	34.30	n_2 Eck					456		406
			n_2 th					5.2		4.6
			M_2					74		152
			c					74		99
			M_2							
			c							
22.857	4037	34.30	n_2 Eck							
			n_2 th							
			M_2							
			c							
24.850	4268	26.90	n_2 Eck							
			n_2 th							

$M \dots$ [Nm]
 $n \dots$ [r/min]
 $J \dots$ [kgcm²]

$P \dots$ [kW]
 $I \dots$ [A]
 i [-]
 c [-]

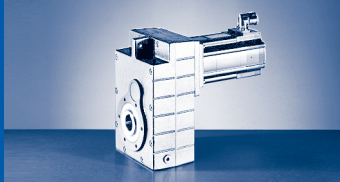


$M_{2GN} \leq 5561 \text{ Nm}$

17NC41	19SC17	19SC23	19SC35	21XC17	21XC25	21XC35	21XC42	GFL11-2A			
...S00	...F10	...S00	...F10	...F10	...S00	...F10	...S00	M_1	J_G	M_{2GN}	i
9.50	36.30	16.30	36.00	61.40	24.60	55.00	17.00	n_1			
4110	1700	2340	3510	1710	2490	3520	4160	I_{M400}			
10.2	13.9	8.2	28.7	22.5	13.5	42.5	19.8	P_N			
4.10	6.40	4.00	13.20	11.00	6.40	20.30	7.40	J_M			
36.04	72.12	72.12	72.04	180.04	180.04	180.04	180.04	M_2			
						458		c			
						5.6		$n_{2\text{ Eck}}$	79.60	3570	9.010
						391		$n_{2\text{ th}}$			
						223					
						499		M_2			
						5.4		c	74.80	3767	9.799
						359		$n_{2\text{ Eck}}$			
						205		$n_{2\text{ th}}$			
			358					M_2			
			5.2					c	65.00	2595	10.720
			327					$n_{2\text{ Eck}}$			
			191					$n_{2\text{ th}}$			
				608		548		M_2			
				5.7		5.0		c	65.00	3818	10.720
				160		328		$n_{2\text{ Eck}}$			
				160		188		$n_{2\text{ th}}$			
				717		646		M_2			
				4.5		3.9		c	81.50	3466	12.480
				137		282		$n_{2\text{ Eck}}$			
				132		128		$n_{2\text{ th}}$			
				838		755		M_2			
				4.1		3.6		c	58.40	3718	14.538
				118		242		$n_{2\text{ Eck}}$			
				118		126		$n_{2\text{ th}}$			
			532	920		828		M_2			
			5.2	3.8		3.4		c	51.30	3800	15.904
			221	108		221		$n_{2\text{ Eck}}$			
			128	108		117		$n_{2\text{ th}}$			
	600		603	1041		937		M_2			
	5.8		4.6	3.4		3.0		c	48.30	3789	17.920
	95		196	95		196		$n_{2\text{ Eck}}$			
	95		111	95		101		$n_{2\text{ th}}$			
								M_2			
								c	36.10	2281	20.286
								$n_{2\text{ Eck}}$			
								$n_{2\text{ th}}$			
	682		684	1181		1062		M_2			
	5.4		4.3	3.2		2.8		c	36.10	4045	20.286
	84		173	84		174		$n_{2\text{ Eck}}$			
	84		110	84		99		$n_{2\text{ th}}$			
								M_2			
								c	34.30	2570	22.857
								$n_{2\text{ Eck}}$			
								$n_{2\text{ th}}$			
	773		775	1336		1201		M_2			
	4.8		3.8	2.8		2.5		c	34.30	4037	22.857
	74		154	75		154		$n_{2\text{ Eck}}$			
	74		95	75		86		$n_{2\text{ th}}$			
	840		839	1452		1302		M_2			
	4.9		4.2	2.9		2.8		c	26.90	4268	24.850
	68		141	69		142		$n_{2\text{ Eck}}$			
	68		99	69		81		$n_{2\text{ th}}$			

M ... [Nm]
n ... [r/min]
J ... [kgcm²]

P ... [kW]
I ... [A]
i [-]
c [-]



GFL [Nm]

GFL□□-□A (MCA)

$M_{2GN} \leq 5561 \text{ Nm}$

GFL11-2A				14LC16	14LC20	14LC35	14LC41	17NC17	17NC23	17NC35
				...F10	...S00	...F10	...S00	...F10	...S00	...F10
i	M_{2GN}	J_G	M_1							
			n_1	12.00	6.70	10.80	5.40	21.50	10.80	19.00
			I_{M400}	1635	2000	3455	4100	1680	2300	3480
			P_N	4.8	3.3	9.1	5.8	8.5	5.5	15.8
			J_M	2.10	1.40	3.90	2.30	3.80	2.60	6.90
			M_2	19.32	19.24	19.24	19.24	36.04	36.04	36.04
28.000	4263	25.70	c							
			n_2 Eck							
			n_2 th							
32.739	2533	17.10	M_2					664		587
			c					3.7		3.6
			n_2 Eck					51		106
			n_2 th					51		88
32.739	4603	17.10	M_2							
			c							
			n_2 Eck							
			n_2 th							
36.889	2855	16.50	M_2					748		662
			c					3.7		3.6
			n_2 Eck					46		94
			n_2 th					46		78
36.889	4601	16.50	M_2							
			c							
			n_2 Eck							
			n_2 th							
40.233	2607	12.60	M_2					821		726
			c					3.1		3.0
			n_2 Eck					42		87
			n_2 th					42		77
40.233	4882	12.60	M_2							
			c							
			n_2 Eck							
			n_2 th							
45.333	2938	12.20	M_2					925		818
			c					3.1		3.0
			n_2 Eck					37		77
			n_2 th					37		69
45.333	4881	12.20	M_2							
			c							
			n_2 Eck							
			n_2 th							
52.067	2307	8.08	M_2	589		531				
			c	3.8		3.6				
			n_2 Eck	31		66				
			n_2 th	31		66				
52.067	2701	8.08	M_2					1069	524	946
			c					2.5	4.9	2.4
			n_2 Eck					32	44	67
			n_2 th					32	44	60
52.067	5251	8.08	M_2							
			c							
			n_2 Eck							
			n_2 th							
58.667	2599	7.81	M_2	663		598				
			c	3.8		3.6				
			n_2 Eck	28		59				
			n_2 th	28		59				

$M \dots$ [Nm]
 $n \dots$ [r/min]
 $J \dots$ [kgcm²]

$P \dots$ [kW]
 $I \dots$ [A]
 i [-]
 c [-]

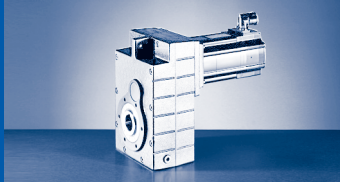


$M_{2GN} \leq 5561 \text{ Nm}$

17NC41	19SC17	19SC23	19SC35	21XC17	21XC25	21XC35	21XC42	GFL11-2A			
...S00	...F10	...S00	...F10	...F10	...S00	...F10	...S00	M_1	J_G	M_{2GN}	i
9.50	36.30	16.30	36.00	61.40	24.60	55.00	17.00	n_1			
4110	1700	2340	3510	1710	2490	3520	4160	I_{M400}			
10.2	13.9	8.2	28.7	22.5	13.5	42.5	19.8	P_N			
4.10	6.40	4.00	13.20	11.00	6.40	20.30	7.40	J_M			
36.04	72.12	72.12	72.04	180.04	180.04	180.04	180.04	M_2			
	952		950	1641		1472		c	25.70	4263	28.000
	4.3		3.7	2.6		2.4		$n_{2 \text{ Eck}}$			
	61		125	61		126		$n_{2 \text{ th}}$			
	61		87	61		72		M_2			
								c	17.10	2533	32.739
								$n_{2 \text{ Eck}}$			
								$n_{2 \text{ th}}$			
	1117		1115	1923	744	1724		M_2			
	4.0		3.5	2.4	5.7	2.3		c	17.10	4603	32.739
	52		107	52	76	108		$n_{2 \text{ Eck}}$			
	52		75	52	62	62		$n_{2 \text{ th}}$			
								M_2			
								c	16.50	2855	36.889
								$n_{2 \text{ Eck}}$			
								$n_{2 \text{ th}}$			
	1265		1261	2173	844	1948		M_2			
	3.5		3.1	2.1	5.0	2.0		c	16.50	4601	36.889
	46		95	46	68	95		$n_{2 \text{ Eck}}$			
	46		66	46	55	55		$n_{2 \text{ th}}$			
353								M_2			
5.7								c	12.60	2607	40.233
102								$n_{2 \text{ Eck}}$			
77								$n_{2 \text{ th}}$			
	1381		1377	2371	922	2126	630	M_2			
	3.5		3.0	2.0	4.9	1.9	6.0	c	12.60	4882	40.233
	42		87	43	62	88	103	$n_{2 \text{ Eck}}$			
	42		61	43	50	50	50	$n_{2 \text{ th}}$			
398								M_2			
5.7								c	12.20	2938	45.333
91								$n_{2 \text{ Eck}}$			
69								$n_{2 \text{ th}}$			
	1563		1557	2678	1045	2401	715	M_2			
	3.1		2.6	1.8	4.3	1.7	5.3	c	12.20	4881	45.333
	38		77	38	55	78	92	$n_{2 \text{ Eck}}$			
	38		54	38	44	44	44	$n_{2 \text{ th}}$			
								M_2			
								c	8.08	2307	52.067
								$n_{2 \text{ Eck}}$			
								$n_{2 \text{ th}}$			
462								M_2			
4.6								c	8.08	2701	52.067
79								$n_{2 \text{ Eck}}$			
60								$n_{2 \text{ th}}$			
	1799		1791					M_2			
	2.9		2.5					c	8.08	5251	52.067
	33		67					$n_{2 \text{ Eck}}$			
	33		47					$n_{2 \text{ th}}$			
								M_2			
								c	7.81	2599	58.667
								$n_{2 \text{ Eck}}$			
								$n_{2 \text{ th}}$			

$M \dots$ [Nm]
 $n \dots$ [r/min]
 $J \dots$ [kgcm²]

$P \dots$ [kW]
 $I \dots$ [A]
 i [-]
 c [-]



GFL [Nm]

GFL□□-□A (MCA)

$M_{2GN} \leq 5561 \text{ Nm}$

GFL11-2A				14LC16	14LC20	14LC35	14LC41	17NC17	17NC23	17NC35
				...F10	...S00	...F10	...S00	...F10	...S00	...F10
i	M_{2GN}	J_G	M_1							
			n_1	12.00	6.70	10.80	5.40	21.50	10.80	19.00
			I_{M400}	1635	2000	3455	4100	1680	2300	3480
			P_N	4.8	3.3	9.1	5.8	8.5	5.5	15.8
			J_M	2.10	1.40	3.90	2.30	3.80	2.60	6.90
			M_2	19.32	19.24	19.24	19.24	36.04	36.04	36.04
			c					1205	590	1066
58.667	3044	7.81	n_2 Eck					2.5	4.9	2.4
			n_2 th					29	39	59
			n_2 th					29	39	53
58.667	5254	7.81	M_2							
			c							
			n_2 Eck							
			n_2 th							
63.190	2344	5.90	M_2	719	391	648	315			
			c	3.2	5.7	3.1	5.8			
			n_2 Eck	26	32	55	65			
			n_2 th	26	32	55	57			
63.190	2745	5.90	M_2					1303	641	1153
			c					2.1	4.1	2.0
			n_2 Eck					27	36	55
			n_2 th					27	36	49
63.190	5557	5.90	M_2							
			c							
			n_2 Eck							
			n_2 th							
71.200	2641	5.72	M_2	810	440	728				
			c	3.2	5.7	3.4				
			n_2 Eck	23	28	49				
			n_2 th	23	28	49				
71.200	3093	5.72	M_2					1469	722	1296
			c					2.1	4.2	2.2
			n_2 Eck					24	32	49
			n_2 th					24	32	44
71.200	5561	5.72	M_2							
			c							
			n_2 Eck							
			n_2 th							
79.875	2381	3.87	M_2	915	500	822	401			
			c	2.6	4.6	2.7	5.1			
			n_2 Eck	21	25	43	51			
			n_2 th	20	25	43	45			
79.875	2789	3.87	M_2					1655	817	1460
			c					1.7	3.3	1.8
			n_2 Eck					21	29	44
			n_2 th					21	29	39
90.000	2683	3.76	M_2	1031	563	926	451			
			c	2.6	4.6	2.7	5.1			
			n_2 Eck	18	22	38	46			
			n_2 th	18	22	38	40			
90.000	3143	3.76	M_2					1864	920	1645
			c					1.7	3.3	1.8
			n_2 Eck					19	26	39
			n_2 th					19	26	35

$M \dots$ [Nm]
 $n \dots$ [r/min]
 $J \dots$ [kgcm²]

$P \dots$ [kW]
 $I \dots$ [A]
 i [-]
 c [-]

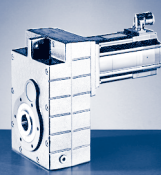


$M_{2GN} \leq 5561 \text{ Nm}$

17NC41	19SC17	19SC23	19SC35	21XC17	21XC25	21XC35	21XC42	GFL11-2A			
...S00	...F10	...S00	...F10	...F10	...S00	...F10	...S00	M_1	J_G	M_{2GN}	i
9.50	36.30	16.30	36.00	61.40	24.60	55.00	17.00	n_1			
4110	1700	2340	3510	1710	2490	3520	4160	I_{M400}			
10.2	13.9	8.2	28.7	22.5	13.5	42.5	19.8	P_N			
4.10	6.40	4.00	13.20	11.00	6.40	20.30	7.40	J_M			
36.04	72.12	72.12	72.04	180.04	180.04	180.04	180.04	M_2			
521								c			
4.6								$n_{2\text{ Eck}}$	7.81	3044	58.667
70								$n_{2\text{ th}}$			
53								M_2			
	2033	884	2024					c			
	2.5	5.6	2.2					$n_{2\text{ Eck}}$	7.81	5254	58.667
	29	40	60					$n_{2\text{ th}}$			
	29	40	42					M_2			
								c			
								$n_{2\text{ Eck}}$	5.90	2344	63.190
								$n_{2\text{ th}}$			
565								M_2			
3.8								c			
65								$n_{2\text{ Eck}}$	5.90	2745	63.190
49								$n_{2\text{ th}}$			
	2191	954	2181					M_2			
	2.5	5.5	2.2					c			
	27	37	56					$n_{2\text{ Eck}}$	5.90	5557	63.190
	27	37	39					$n_{2\text{ th}}$			
								M_2			
								c			
								$n_{2\text{ Eck}}$	5.72	2641	71.200
								$n_{2\text{ th}}$			
634								M_2			
4.2								c			
58								$n_{2\text{ Eck}}$	5.72	3093	71.200
44								$n_{2\text{ th}}$			
	2476	1080	2458					M_2			
	2.2	4.9	2.1					c			
	24	33	49					$n_{2\text{ Eck}}$	5.72	5561	71.200
	24	33	34					$n_{2\text{ th}}$			
								M_2			
								c			
								$n_{2\text{ Eck}}$	3.87	2381	79.875
								$n_{2\text{ th}}$			
718								M_2			
3.4								c			
52								$n_{2\text{ Eck}}$	3.87	2789	79.875
39								$n_{2\text{ th}}$			
								M_2			
								c			
								$n_{2\text{ Eck}}$	3.76	2683	90.000
								$n_{2\text{ th}}$			
809								M_2			
3.4								c			
46								$n_{2\text{ Eck}}$	3.76	3143	90.000
35								$n_{2\text{ th}}$			

M ... [Nm]
n ... [r/min]
J ... [kgcm²]

P ... [kW]
I ... [A]
i [-]
c [-]



GFL [Nm]

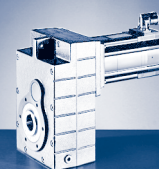
GFL□□-□A (MCA)

$M_{2GN} \leq 5952 \text{ Nm}$

GFL11-3A				10IC40	13IC34	13IC41	14LC16	14LC20	14LC35	14LC41	17NC17
				...S00	...F10	...S00	...F10	...S00	...F10	...S00	...F10
i	M_{2GN}	J_G	M_1	2.00	6.30	4.00	12.00	6.70	10.80	5.40	21.50
			n_1	3950	3410	4050	1635	2000	3455	4100	1680
			I_{M400}	2.4	6.0	4.4	4.8	3.3	9.1	5.8	8.5
			P_N	0.80	2.20	1.70	2.10	1.40	3.90	2.30	3.80
			J_M	2.44	8.34	8.34	19.32	19.24	19.24	19.24	36.04
65.306	2891	6.97	M_2				727		652		1326
			c				3.9		4.1		2.2
			$n_{2 \text{ Eck}}$				25		53		26
			$n_{2 \text{ th}}$				25		53		26
73.335	2875	7.84	M_2				820		736		1492
			c				3.4		3.6		1.9
			$n_{2 \text{ Eck}}$				22		47		23
			$n_{2 \text{ th}}$				22		47		23
82.631	3240	7.71	M_2				924		829		1682
			c				3.4		3.6		1.9
			$n_{2 \text{ Eck}}$				20		42		20
			$n_{2 \text{ th}}$				20		42		20
93.540	3206	5.05	M_2		537		1050	572	944	458	1909
			c		5.5		3.0	5.4	3.2	6.0	1.7
			$n_{2 \text{ Eck}}$		37		18	21	37	44	18
			$n_{2 \text{ th}}$		36		17	21	37	38	18
105.397	3613	4.97	M_2		605		1184	644	1063	516	2150
			c		5.5		3.0	5.4	3.2	6.0	1.7
			$n_{2 \text{ Eck}}$		32		16	19	33	39	16
			$n_{2 \text{ th}}$		32		16	19	33	34	16
114.586	3501	3.71	M_2				1291	705	1160	565	2342
			c				2.7	4.8	2.8	5.3	1.5
			$n_{2 \text{ Eck}}$				14	18	30	36	15
			$n_{2 \text{ th}}$				14	17	30	31	15
129.111	3945	3.66	M_2				1455	794	1307	636	2639
			c				2.7	4.8	2.8	5.3	1.5
			$n_{2 \text{ Eck}}$				13	16	27	32	13
			$n_{2 \text{ th}}$				13	15	27	28	13
149.144	3894	2.30	M_2		868		1688	924	1517	741	3056
			c		4.2		2.3	4.1	2.4	4.6	1.3
			$n_{2 \text{ Eck}}$		23		11	13	23	28	11
			$n_{2 \text{ th}}$		23		11	13	23	24	11
168.049	4387	2.27	M_2		978		1901	1041	1709	835	3443
			c		4.2		2.3	4.1	2.4	4.6	1.3
			$n_{2 \text{ Eck}}$		20		10	12	21	24	10
			$n_{2 \text{ th}}$		20		10	12	21	21	10
182.792	4233	1.66	M_2		1070	666	2074	1138	1864	913	3751
			c		3.7	5.5	2.0	3.6	2.1	4.0	1.1
			$n_{2 \text{ Eck}}$		19	22	9	11	19	22	9
			$n_{2 \text{ th}}$		19	22	9	11	19	20	9
205.963	4769	1.64	M_2		1205	750	2337	1283	2100	1029	4226
			c		3.7	5.5	2.0	3.6	2.1	4.0	1.1
			$n_{2 \text{ Eck}}$		17	20	8	10	17	20	8
			$n_{2 \text{ th}}$		17	20	8	10	17	17	8
224.636	4523	1.52	M_2		1321	825	2556	1406	2298	1129	
			c		3.2	4.8	1.8	3.2	1.9	3.5	
			$n_{2 \text{ Eck}}$		15	18	7	9	15	18	
			$n_{2 \text{ th}}$		15	18	7	9	15	16	
253.111	5097	1.50	M_2		1489	929	2880	1584	2589	1272	
			c		3.2	4.8	1.8	3.2	1.9	3.5	
			$n_{2 \text{ Eck}}$		14	16	7	8	14	16	
			$n_{2 \text{ th}}$		13	16	6	8	14	14	

$M \dots$ [Nm]
 $n \dots$ [r/min]
 $J \dots$ [kgcm²]

$P \dots$ [kW]
 $I \dots$ [A]
 $i \dots$ [-]
 $c \dots$ [-]

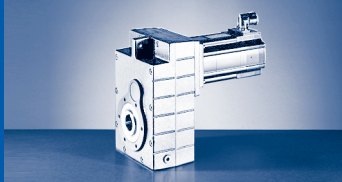


$M_{2GN} \leq 5952 \text{ Nm}$

17NC23	17NC35	17NC41	19SC17	19SC23	19SC35	19SC42	21XC25	21XC42	GFL11-3A			
...S00	...F10	...S00	...F10	...S00	...F10	...S00	...S00	...S00				
10.80	19.00	9.50	36.30	16.30	36.00	12.00	24.60	17.00	M_1	J_G	M_{2GN}	i
2300	3480	4110	1700	2340	3510	4150	2490	4160	n_1			
5.5	15.8	10.2	13.9	8.2	28.7	14.0	13.5	19.8	I_{M400}			
2.60	6.90	4.10	6.40	4.00	13.20	5.20	6.40	7.40	P_N			
36.04	36.04	36.04	72.12	72.12	72.04	72.12	180.04	180.04	J_M			
651	1169	572	2259	998	2242	730			M_2			
4.3	2.3	4.4	1.3	2.8	1.2	3.5			c			
35	53	63	26	36	54	64			$n_{2 \text{ Eck}}$	6.97	2891	65.306
35	48	48	26	36	37	37			$n_{2 \text{ th}}$			
735	1317	646	2541	1124	2521	823	1712	1177	M_2			
3.8	2.1	3.9	1.1	2.5	1.1	3.1	1.7	2.2	c			
31	48	56	23	32	48	57	34	57	$n_{2 \text{ Eck}}$	7.84	2875	73.335
31	42	42	23	32	31	33	27	27	$n_{2 \text{ th}}$			
828	1484	728	2863	1267	2840	927	1929	1326	M_2			
3.8	2.1	3.9	1.1	2.5	1.1	3.1	1.7	2.2	c			
28	42	50	21	28	43	50	30	50	$n_{2 \text{ Eck}}$	7.71	3240	82.631
28	38	38	21	28	28	30	24	24	$n_{2 \text{ th}}$			
942	1684	828		1439		1054			M_2			
3.3	1.8	3.4		2.2		2.7			c			
25	37	44		25		44			$n_{2 \text{ Eck}}$	5.05	3206	93.540
25	33	33		25		26			$n_{2 \text{ th}}$			
1061	1898	933		1621		1187			M_2			
3.3	1.8	3.4		2.2		2.7			c			
22	33	39		22		39			$n_{2 \text{ Eck}}$	4.97	3613	105.397
22	30	30		22		23			$n_{2 \text{ th}}$			
1158	2068	1018		1767		1295			M_2			
3.0	1.6	3.0		2.0		2.4			c			
20	30	36		20		36			$n_{2 \text{ Eck}}$	3.71	3501	114.586
20	27	27		20		21			$n_{2 \text{ th}}$			
1305	2330	1147		1991		1459			M_2			
3.0	1.6	3.0		2.0		2.4			c			
18	27	32		18		32			$n_{2 \text{ Eck}}$	3.66	3945	129.111
18	24	24		18		19			$n_{2 \text{ th}}$			
1515	2698	1332							M_2			
2.5	1.4	2.6							c			
15	23	28							$n_{2 \text{ Eck}}$	2.30	3894	149.144
15	21	21							$n_{2 \text{ th}}$			
1707	3040	1500							M_2			
2.5	1.4	2.6							c			
14	21	25							$n_{2 \text{ Eck}}$	2.27	4387	168.049
14	19	19							$n_{2 \text{ th}}$			
1862	3312	1637							M_2			
2.2	1.2	2.3							c			
13	19	23							$n_{2 \text{ Eck}}$	1.66	4233	182.792
13	17	17							$n_{2 \text{ th}}$			
2098	3731	1845							M_2			
2.2	1.2	2.3							c			
11	17	20							$n_{2 \text{ Eck}}$	1.64	4769	205.963
11	15	15							$n_{2 \text{ th}}$			
2295	4077	2018							M_2			
2.0	1.1	2.0							c			
10	16	18							$n_{2 \text{ Eck}}$	1.52	4523	224.636
10	14	14							$n_{2 \text{ th}}$			
2586	4593	2274							M_2			
2.0	1.1	2.0							c			
9	14	16							$n_{2 \text{ Eck}}$	1.50	5097	253.111
9	12	12							$n_{2 \text{ th}}$			

$M \dots$ [Nm]
 $n \dots$ [r/min]
 $J \dots$ [kgcm²]

$P \dots$ [kW]
 $I \dots$ [A]
 i [-]
 c [-]



GFL [Nm]

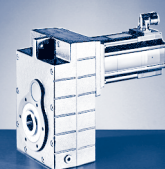
GFL□□-□A (MCA)

$M_{2GN} \leq 5952 \text{ Nm}$

GFL11-3A				10IC40	13IC34	13IC41	14LC16	14LC20	14LC35	14LC41	17NC17
				...S00	...F10	...S00	...F10	...S00	...F10	...S00	...F10
i	M_{2GN}	J_G	M_1	2.00	6.30	4.00	12.00	6.70	10.80	5.40	21.50
			n_1	3950	3410	4050	1635	2000	3455	4100	1680
			I_{M400}	2.4	6.0	4.4	4.8	3.3	9.1	5.8	8.5
			P_N	0.80	2.20	1.70	2.10	1.40	3.90	2.30	3.80
			J_M	2.44	8.34	8.34	19.32	19.24	19.24	19.24	36.04
267.259	5106	1.87	M_2		1575	984	3044	1676	2736	1346	
			c		3.0	4.5	1.7	3.0	1.8	3.3	
			$n_{2 \text{ Eck}}$		13	15	6	8	13	15	
			$n_{2 \text{ th}}$		13	15	6	7	13	13	
327.556	5523	1.37	M_2		1937	1213	3738	2061	3361	1656	
			c		2.7	4.0	1.5	2.6	1.6	2.9	
			$n_{2 \text{ Eck}}$		10	12	5	6	11	13	
			$n_{2 \text{ th}}$		10	12	5	6	11	11	
358.077	4423	0.68	M_2	649							
			c	5.9							
			$n_{2 \text{ Eck}}$	11							
			$n_{2 \text{ th}}$	11							
358.077	5283	0.68	M_2		2125	1333	4094	2261	3682	1817	
			c		2.4	3.5	1.3	2.3	1.4	2.6	
			$n_{2 \text{ Eck}}$		10	11	5	6	10	12	
			$n_{2 \text{ th}}$		10	11	5	6	10	10	
403.467	4984	0.67	M_2	732							
			c	5.9							
			$n_{2 \text{ Eck}}$	10							
			$n_{2 \text{ th}}$	10							
403.467	5952	0.67	M_2		2395	1502	4613	2548	4148	2048	
			c		2.4	3.5	1.3	2.3	1.4	2.6	
			$n_{2 \text{ Eck}}$		9	10	4	5	9	10	
			$n_{2 \text{ th}}$		8	10	4	5	9	9	
430.222	5942	0.85	M_2		2558	1606	4923	2721	4428	2187	
			c		2.2	3.3	1.2	2.2	1.3	2.4	
			$n_{2 \text{ Eck}}$		8	9	4	5	8	10	
			$n_{2 \text{ th}}$		8	9	4	5	8	8	
522.133	5942	0.62	M_2	952	3117	1961		3316	5386	2667	
			c	5.4	1.8	2.7		1.8	1.1	2.0	
			$n_{2 \text{ Eck}}$	8	7	8		4	7	8	
			$n_{2 \text{ th}}$	8	7	8		4	7	7	
562.391	5319	0.60	M_2	1035	3368	2122		3583		2883	
			c	4.5	1.5	2.2		1.5		1.7	
			$n_{2 \text{ Eck}}$	7	6	7		4		7	
			$n_{2 \text{ th}}$	7	6	7		4		6	
633.680	5844	0.60	M_2	1168	3797	2392		4039		3249	
			c	4.4	1.5	2.2		1.4		1.6	
			$n_{2 \text{ Eck}}$	6	5	6		3		7	
			$n_{2 \text{ th}}$	6	5	6		3		6	
710.888	5319	0.39	M_2	1322	4272	2696					
			c	3.6	1.2	1.8					
			$n_{2 \text{ Eck}}$	6	5	6					
			$n_{2 \text{ th}}$	6	5	6					
801.000	5844	0.38	M_2	1491	4814	3039					
			c	3.5	1.2	1.7					
			$n_{2 \text{ Eck}}$	5	4	5					
			$n_{2 \text{ th}}$	5	4	5					

$M \dots$ [Nm]
 $n \dots$ [r/min]
 $J \dots$ [kgcm²]

$P \dots$ [kW]
 $I \dots$ [A]
 i [-]
 c [-]

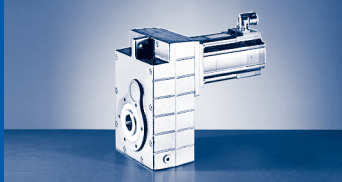


$M_{2GN} \leq 5952 \text{ Nm}$

17NC23	17NC35	17NC41	19SC17	19SC23	19SC35	19SC42	21XC25	21XC42	GFL11-3A			
...S00	...F10	...S00	...F10	...S00	...F10	...S00	...S00	...S00	M_1	J_G	M_{2GN}	i
10.80	19.00	9.50	36.30	16.30	36.00	12.00	24.60	17.00	n_1			
2300	3480	4110	1700	2340	3510	4150	2490	4160	I_{M400}			
5.5	15.8	10.2	13.9	8.2	28.7	14.0	13.5	19.8	P_N			
2.60	6.90	4.10	6.40	4.00	13.20	5.20	6.40	7.40	J_M			
36.04	36.04	36.04	72.12	72.12	72.04	72.12	180.04	180.04	M_2			
2734	4853	2404							c			
1.9	1.0	1.9							$n_{2 \text{ Eck}}$	1.87	5106	267.259
9	13	15							$n_{2 \text{ th}}$			
9	12	12							M_2			
3358		2953							c			
1.6		1.7							$n_{2 \text{ Eck}}$	1.37	5523	327.556
7		13							$n_{2 \text{ th}}$			
7		10							M_2			
									c			
									$n_{2 \text{ Eck}}$	0.68	4423	358.077
									$n_{2 \text{ th}}$			
									M_2			
									c			
									$n_{2 \text{ Eck}}$	0.68	5283	358.077
									$n_{2 \text{ th}}$			
									M_2			
									c			
									$n_{2 \text{ Eck}}$	0.67	4984	403.467
									$n_{2 \text{ th}}$			
									M_2			
									c			
									$n_{2 \text{ Eck}}$	0.67	5952	403.467
									$n_{2 \text{ th}}$			
									M_2			
									c			
									$n_{2 \text{ Eck}}$	0.85	5942	430.222
									$n_{2 \text{ th}}$			
									M_2			
									c			
									$n_{2 \text{ Eck}}$	0.62	5942	522.133
									$n_{2 \text{ th}}$			
									M_2			
									c			
									$n_{2 \text{ Eck}}$	0.60	5319	562.391
									$n_{2 \text{ th}}$			
									M_2			
									c			
									$n_{2 \text{ Eck}}$	0.60	5844	633.680
									$n_{2 \text{ th}}$			
									M_2			
									c			
									$n_{2 \text{ Eck}}$	0.39	5319	710.888
									$n_{2 \text{ th}}$			
									M_2			
									c			
									$n_{2 \text{ Eck}}$	0.38	5844	801.000
									$n_{2 \text{ th}}$			

M ... [Nm]
n ... [r/min]
J ... [kgcm²]

P ... [kW]
I ... [A]
i [-]
c [-]



GFL [Nm]

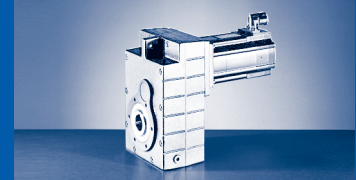
GFL□□-□A (MCA)

$M_{2GN} \leq 10639 \text{ Nm}$

GFL14-2A				19SC17	19SC23	19SC35	21XC17	21XC35
				...F10	...S00	...F10	...F10	...F10
i	M_{2GN}	J_G	M_1					
			n_1	1700	2340	3510	1710	3520
			I_{M400}	13.9	8.2	28.7	22.5	42.5
			P_N	6.40	4.00	13.20	11.00	20.30
			J_M	72.12	72.12	72.04	180.04	180.04
19.948	7873	111.00	M_2					1014
			c				5.6	
			n_2 Eck				177	
			n_2 th				101	
22.476	8870	105.00	M_2					1143
			c				5.6	
			n_2 Eck				157	
			n_2 th				90	
24.456	8282	83.20	M_2				1387	1245
			c				5.7	5.4
			n_2 Eck				70	144
			n_2 th				70	82
27.556	9331	79.40	M_2				1562	1403
			c				5.7	5.4
			n_2 Eck				62	128
			n_2 th				62	73
32.344	6387	52.90	M_2	1085		1085		
			c	5.6		4.8		
			n_2 Eck	53		109		
			n_2 th	53		76		
32.344	8734	52.90	M_2				1857	1667
			c				4.5	4.3
			n_2 Eck				53	109
			n_2 th				53	62
36.444	7196	50.70	M_2	1223		1223		
			c	5.6		4.8		
			n_2 Eck	47		96		
			n_2 th	47		67		
36.444	9841	50.70	M_2				2092	1878
			c				4.5	4.3
			n_2 Eck				47	97
			n_2 th				47	55
39.642	6916	38.00	M_2	1339		1338		
			c	5.0		4.3		
			n_2 Eck	43		89		
			n_2 th	43		62		
39.642	9101	38.00	M_2				2292	2057
			c				3.9	3.7
			n_2 Eck				43	89
			n_2 th				43	51
44.667	7793	36.60	M_2	1509		1507		
			c	5.0		4.3		
			n_2 Eck	38		79		
			n_2 th	38		55		
44.667	10254	36.60	M_2				2583	2318
			c				3.9	3.7
			n_2 Eck				38	79
			n_2 th				38	45
52.067	7136	24.60	M_2	1779		1774		
			c	3.9		3.4		
			n_2 Eck	33		67		
			n_2 th	33		47		

M ... [Nm]
 n ... [r/min]
 J ... [kgcm²]

P ... [kW]
 I ... [A]
 i [-]
 c [-]

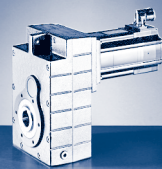


$M_{2GN} \leq 10639 \text{ Nm}$

GFL14-2A				195C17	195C23	195C35	21XC17	21XC35
				...F10	...S00	...F10	...F10	...F10
i	M _{2GN}	J _G	M ₁	36.30	16.30	36.00	61.40	55.00
			n ₁	1700	2340	3510	1710	3520
			I _{M400}	13.9	8.2	28.7	22.5	42.5
			P _N	6.40	4.00	13.20	11.00	20.30
			J _M	72.12	72.12	72.04	180.04	180.04
52.067	9389	24.60	M ₂				3037	2724
			c				3.0	2.9
			n ₂ Eck				33	68
			n ₂ th				33	39
58.667	8041	23.80	M ₂	2005		1999		
			c	3.9		3.4		
			n ₂ Eck	29		60		
			n ₂ th	29		42		
58.667	10579	23.80	M ₂				3422	3070
			c				3.0	2.9
			n ₂ Eck				29	60
			n ₂ th				29	34
63.190	7250	18.00	M ₂	2174		2166		
			c	3.3		2.8		
			n ₂ Eck	27		56		
			n ₂ th	27		39		
63.190	9540	18.00	M ₂				3705	3323
			c				2.5	2.4
			n ₂ Eck				27	56
			n ₂ th				27	32
71.200	8169	17.40	M ₂	2449		2433		
			c	3.3		3.1		
			n ₂ Eck	24		49		
			n ₂ th	24		34		
71.200	10639	17.40	M ₂				4176	3735
			c				2.5	2.7
			n ₂ Eck				24	49
			n ₂ th				24	28
79.875	7015	11.80	M ₂	2770	1204	2750		
			c	2.5	5.6	2.4		
			n ₂ Eck	21	29	44		
			n ₂ th	21	29	31		
90.000	7905	11.50	M ₂	3121	1357	3099		
			c	2.5	5.6	2.4		
			n ₂ Eck	19	26	39		
			n ₂ th	19	26	27		

M ... [Nm]
n ... [r/min]
J ... [kgcm²]

P ... [kW]
I ... [A]
i [-]
c [-]



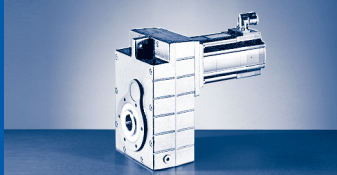
GFL [Nm]
GFL□□-□A (MCA)

$M_{2GN} \leq 11615 \text{ Nm}$

GFL14-3A				14LC16	14LC20	14LC35	14LC41	17NC17	17NC23	17NC35	17NC41	
				...F10	...S00	...F10	...S00	...F10	...S00	...F10	...S00	
i	M_{2GN}	J_G	M_1	12.00	6.70	10.80	5.40	21.50	10.80	19.00	9.50	
			n_1	1635	2000	3455	4100	1680	2300	3480	4110	
			I_{M400}	4.8	3.3	9.1	5.8	8.5	5.5	15.8	10.2	
			P_N	2.10	1.40	3.90	2.30	3.80	2.60	6.90	4.10	
			J_M	19.32	19.24	19.24	19.24	36.04	36.04	36.04	36.04	
64.296	5610	26.32	M_2					1276		1129		
			c					4.3		4.1		
			$n_{2 \text{ Eck}}$						26		54	
			$n_{2 \text{ th}}$						26		48	
68.708	5416	19.86	M_2					1370		1207		
			c					3.8		4.1		
			$n_{2 \text{ Eck}}$						25		51	
			$n_{2 \text{ th}}$						24		45	
77.418	6103	19.38	M_2					1543		1360		
			c					3.8		4.1		
			$n_{2 \text{ Eck}}$						22		45	
			$n_{2 \text{ th}}$						22		40	
85.037	6276	21.59	M_2					1700		1498		
			c					3.6		3.9		
			$n_{2 \text{ Eck}}$						20		41	
			$n_{2 \text{ th}}$						20		36	
104.889	5375	9.32	M_2	1159		1040						
			c	4.5		4.7						
			$n_{2 \text{ Eck}}$	16		33						
			$n_{2 \text{ th}}$	16		33						
104.889	6292	9.32	M_2					2112	1028	1862	903	
			c					2.9	5.8	3.1	6.0	
			$n_{2 \text{ Eck}}$					16	22	33	39	
			$n_{2 \text{ th}}$					16	22	30	30	
104.889	6888	9.32	M_2									
			c									
			$n_{2 \text{ Eck}}$									
			$n_{2 \text{ th}}$									
114.126	5848	8.32	M_2	1261		1132						
			c	4.5		4.7						
			$n_{2 \text{ Eck}}$	14		30						
			$n_{2 \text{ th}}$	14		30						
114.126	6719	8.32	M_2					2299	1120	2027	984	
			c					2.9	5.7	3.1	5.8	
			$n_{2 \text{ Eck}}$					15	20	31	36	
			$n_{2 \text{ th}}$					15	20	27	27	
128.593	6589	8.14	M_2	1421		1275						
			c	4.5		4.7						
			$n_{2 \text{ Eck}}$	13		27						
			$n_{2 \text{ th}}$	13		27						
128.593	7571	8.14	M_2					2591	1262	2284	1108	
			c					2.9	5.7	3.1	5.8	
			$n_{2 \text{ Eck}}$					13	18	27	32	
			$n_{2 \text{ th}}$					13	18	24	24	
136.889	7359	16.78	M_2					2765	1351	2438	1186	
			c					2.6	5.2	2.8	5.3	
			$n_{2 \text{ Eck}}$					12	17	25	30	
			$n_{2 \text{ th}}$					12	17	21	23	
156.148	6830	5.92	M_2	1738		1560						
			c	3.8		4.0						
			$n_{2 \text{ Eck}}$	11		22						
			$n_{2 \text{ th}}$	10		22						

$M \dots$ [Nm]
 $n \dots$ [r/min]
 $J \dots$ [kgcm²]

$P \dots$ [kW]
 $I \dots$ [A]
 i [-]
 c [-]

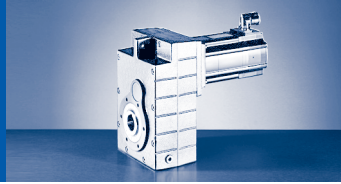


M_{2GN} ≤ 11615 Nm

195C17	195C23	195C35	195C42	21XC17	21XC25	21XC35	21XC42	GFL14-3A			
...F10	...500	...F10	...500	...F10	...500	...F10	...500	M ₁	J _G	M _{2GN}	i
36.30	16.30	36.00	12.00	61.40	24.60	55.00	17.00	n ₁			
1700	2340	3510	4150	1710	2490	3520	4160	I _{M 400}			
13.9	8.2	28.7	14.0	22.5	13.5	42.5	19.8	P _N			
6.40	4.00	13.20	5.20	11.00	6.40	20.30	7.40	J _M			
72.12	72.12	72.04	72.12	180.04	180.04	180.04	180.04	M ₂			
2195	955	2185		3754	1471	3365	1008	c	26.32	5610	64.296
2.5	5.5	2.2		1.5	3.6	1.4	4.3	n _{2 Eck}			
26	36	55		27	39	55	65	n _{2 th}			
26	36	38		27	31	31	31				
2352	1025	2335		4017	1576	3596	1077	M ₂	19.86	5416	68.708
2.3	5.1	2.2		1.3	3.4	1.4	4.4	c			
25	34	51		25	36	51	61	n _{2 Eck}			
25	34	36		25	29	29	29	n _{2 th}			
2650	1155	2631		4526	1775	4051	1214	M ₂	19.38	6103	77.418
2.3	5.1	2.2		1.3	3.4	1.4	4.4	c			
22	30	45		22	32	46	54	n _{2 Eck}			
22	30	32		22	26	26	26	n _{2 th}			
2915	1273	2894	926	4976	1954	4454	1337	M ₂	21.59	6276	85.037
2.1	4.7	2.0	5.8	1.3	3.1	1.3	4.1	c			
20	28	41	49	20	29	41	49	n _{2 Eck}			
20	28	29	29	20	24	24	24	n _{2 th}			
								M ₂	9.32	5375	104.889
								c			
								n _{2 Eck}			
								n _{2 th}			
								M ₂	9.32	6292	104.889
								c			
								n _{2 Eck}			
								n _{2 th}			
3605	1579	3578	1151					M ₂	9.32	6888	104.889
1.9	4.2	1.8	5.1					c			
16	22	34	40					n _{2 Eck}			
16	22	23	23					n _{2 th}			
								M ₂	8.32	5848	114.126
								c			
								n _{2 Eck}			
								n _{2 th}			
3930	1726	3901	1259					M ₂	8.32	6719	114.126
1.7	3.8	1.6	4.6					c			
15	21	31	36					n _{2 Eck}			
15	21	21	21					n _{2 th}			
								M ₂	8.14	6589	128.593
								c			
								n _{2 Eck}			
								n _{2 th}			
4428	1945	4395	1419					M ₂	8.14	7571	128.593
1.7	3.8	1.6	4.6					c			
13	18	27	32					n _{2 Eck}			
13	18	19	19					n _{2 th}			
4721	2078	4686	1517		3175		2178	M ₂	16.78	7359	136.889
1.6	3.5	1.5	4.2		2.3		3.0	c			
12	17	26	30		18		30	n _{2 Eck}			
12	17	16	18		15		15	n _{2 th}			
								M ₂	5.92	6830	156.148
								c			
								n _{2 Eck}			
								n _{2 th}			

M ... [Nm]
n ... [r/min]
J ... [kgcm²]

P ... [kW]
I ... [A]
i [-]
c [-]



GFL [Nm]

GFL□□-□A (MCA)

$M_{2GN} \leq 11615$ Nm

GFL14-3A				14LC16	14LC20	14LC35	14LC41	17NC17	17NC23	17NC35	17NC41
				...F10	...S00	...F10	...S00	...F10	...S00	...F10	...S00
i	M_{2GN}	J_G	M_1	12.00	6.70	10.80	5.40	21.50	10.80	19.00	9.50
			n_1	1635	2000	3455	4100	1680	2300	3480	4110
			I_{M400}	4.8	3.3	9.1	5.8	8.5	5.5	15.8	10.2
			P_N	2.10	1.40	3.90	2.30	3.80	2.60	6.90	4.10
			J_M	19.32	19.24	19.24	19.24	36.04	36.04	36.04	36.04
156.148	7992	5.92	M_2					3158	1545	2785	1357
			c					2.5	5.0	2.7	5.1
			n_{2Eck}					11	15	22	26
			n_{2th}					11	15	20	20
156.148	8227	5.92	M_2								
			c								
			n_{2Eck}								
			n_{2th}								
170.074	8408	6.96	M_2	1883		1690		3443	1686	3037	1481
			c	4.3		4.6		2.4	4.8	2.6	4.9
			n_{2Eck}	10		20		10	14	21	24
			n_{2th}	10		20		10	14	18	18
202.074	7076	3.69	M_2	2268	1233	2037					
			c	3.1	5.5	3.2					
			n_{2Eck}	8	10	17					
			n_{2th}	8	10	17					
202.074	8281	3.69	M_2					4109	2021	3625	1776
			c					2.0	4.0	2.2	4.1
			n_{2Eck}					8	11	17	20
			n_{2th}					8	11	15	15
224.636	8739	4.74	M_2	2512		2256		4572	2251	4035	1978
			c	3.4		3.6		1.9	3.8	2.0	3.9
			n_{2Eck}	7		15		8	10	16	18
			n_{2th}	7		15		7	10	14	14
253.111	9846	4.70	M_2	2830		2541		5152	2537	4546	2229
			c	3.4		3.6		1.9	3.8	2.0	3.9
			n_{2Eck}	7		14		7	9	14	16
			n_{2th}	6		14		7	9	12	12
273.778	9753	5.76	M_2	3071	1669	2758		5582	2753	4926	2420
			c	3.1	5.6	3.3		1.7	3.5	1.9	3.5
			n_{2Eck}	6	7	13		6	8	13	15
			n_{2th}	6	7	13		6	8	11	11
332.444	10550	4.30	M_2	3742	2041	3362	1634	6792	3357	5995	2950
			c	2.8	5.0	2.9	5.5	1.5	3.1	1.7	3.2
			n_{2Eck}	5	6	10	12	5	7	11	12
			n_{2th}	5	6	10	11	5	7	9	9
352.811	10343	2.16	M_2	3980	2174	3576	1742				
			c	2.6	4.6	2.7	5.1				
			n_{2Eck}	5	6	10	12				
			n_{2th}	5	6	10	10				
352.811	10389	2.16	M_2					7216	3571	6370	3139
			c					1.4	2.9	1.5	2.9
			n_{2Eck}					5	7	10	12
			n_{2th}					5	7	9	9
397.533	11615	2.15	M_2	4485	2451	4030	1963	8132	4024	7178	3537
			c	2.6	4.6	2.7	5.1	1.4	2.8	1.5	2.9
			n_{2Eck}	4	5	9	10	4	6	9	10
			n_{2th}	4	5	9	9	4	6	8	8
430.222	10560	2.73	M_2	4875	2673	4381	2144	8822	4376	7788	3847
			c	2.1	3.8	2.3	4.3	1.2	2.4	1.3	2.4
			n_{2Eck}	4	5	8	10	4	5	8	10
			n_{2th}	4	5	8	8	4	5	7	7

M ... [Nm]
 n ... [r/min]
 J ... [kgcm²]

P ... [kW]
 I ... [A]
 i [-]
 c [-]

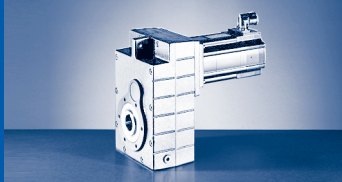


$M_{2GN} \leq 11615 \text{ Nm}$

195C17	195C23	195C35	195C42	21XC17	21XC25	21XC35	21XC42	GFL14-3A			
...F10	...S00	...F10	...S00	...F10	...S00	...F10	...S00	M_1	J_G	M_{2GN}	i
36.30	16.30	36.00	12.00	61.40	24.60	55.00	17.00	n_1			
1700	2340	3510	4150	1710	2490	3520	4160	I_{M400}			
13.9	8.2	28.7	14.0	22.5	13.5	42.5	19.8	P_N			
6.40	4.00	13.20	5.20	11.00	6.40	20.30	7.40	J_M			
72.12	72.12	72.04	72.12	180.04	180.04	180.04	180.04	M_2 c n_{2Eck} n_{2th}	5.92	7992	156.148
5388	2372	5347	1732					M_2 c n_{2Eck} n_{2th}	5.92	8227	156.148
1.5	3.4	1.5	4.1								
11	15	23	27								
11	15	16	16								
5874	2589	5829	1892					M_2 c n_{2Eck} n_{2th}	6.96	8408	170.074
1.4	3.2	1.4	3.9								
10	14	21	24								
10	14	14	14								
								M_2 c n_{2Eck} n_{2th}	3.69	7076	202.074
								M_2 c n_{2Eck} n_{2th}	3.69	8281	202.074
7783	3444	7723	2521					M_2 c n_{2Eck} n_{2th}	4.74	8739	224.636
1.1	2.5	1.1	3.0								
8	10	16	19								
8	10	11	11								
8769	3881	8701	2841					M_2 c n_{2Eck} n_{2th}	4.70	9846	253.111
1.1	2.5	1.1	3.0								
7	9	14	16								
7	9	10	10								
9495	4207		3081					M_2 c n_{2Eck} n_{2th}	5.76	9753	273.778
1.0	2.3		2.8								
6	9		15								
6	9		9								
	5122		3753					M_2 c n_{2Eck} n_{2th}	4.30	10550	332.444
	2.0		2.5								
	7		13								
	7		7								
								M_2 c n_{2Eck} n_{2th}	2.16	10343	352.811
								M_2 c n_{2Eck} n_{2th}	2.16	10389	352.811
								M_2 c n_{2Eck} n_{2th}	2.15	11615	397.533
								M_2 c n_{2Eck} n_{2th}	2.73	10560	430.222

$M \dots$ [Nm]
 $n \dots$ [r/min]
 $J \dots$ [kgcm²]

$P \dots$ [kW]
 $I \dots$ [A]
 $i [-]$
 $c [-]$



GFL [Nm]

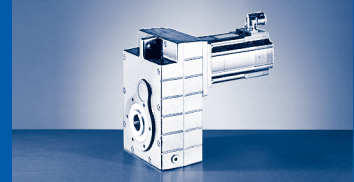
GFL□□-□A (MCA)

$M_{2GN} \leq 11615 \text{ Nm}$

GFL14-3A				14LC16	14LC20	14LC35	14LC41	17NC17	17NC23	17NC35	17NC41
				...F10	...500	...F10	...500	...F10	...500	...F10	...500
i	M_{2GN}	J_G	M_1								
			n_1	12.00	6.70	10.80	5.40	21.50	10.80	19.00	9.50
			I_{M400}	1635	2000	3455	4100	1680	2300	3480	4110
			P_N	4.8	3.3	9.1	5.8	8.5	5.5	15.8	10.2
			J_M	2.10	1.40	3.90	2.30	3.80	2.60	6.90	4.10
			M_2	19.32	19.24	19.24	19.24	36.04	36.04	36.04	36.04
522.133	10560	1.98	c	5940	3268	5340	2623		5335	9475	4690
			$n_{2 \text{ Eck}}$	1.8	3.2	1.9	3.5		2.0	1.1	2.0
			$n_{2 \text{ th}}$	3	4	7	8		4	7	8
				3	4	7	7		4	6	6
562.391	9036	1.91	M_2	6422	3544	5775	2847		5771		5074
			c	1.4	2.5	1.5	2.8		1.6		1.6
			$n_{2 \text{ Eck}}$	3	4	6	7		4		7
			$n_{2 \text{ th}}$	3	4	6	6		4		6
633.680	9811	1.90	M_2	7240	3997	6511	3212		6506		5721
			c	1.4	2.4	1.4	2.7		1.5		1.5
			$n_{2 \text{ Eck}}$	3	3	6	7		4		7
			$n_{2 \text{ th}}$	3	3	5	6		4		5
710.888	9036	1.26	M_2	8143	4505	7324	3622				
			c	1.1	2.0	1.2	2.2				
			$n_{2 \text{ Eck}}$	2	3	5	6				
			$n_{2 \text{ th}}$	2	3	5	5				
801.000	9811	1.25	M_2	9179	5080	8256	4084				
			c	1.1	1.9	1.1	2.1				
			$n_{2 \text{ Eck}}$	2	3	4	5				
			$n_{2 \text{ th}}$	2	3	4	4				

M ... [Nm]
 n ... [r/min]
 J ... [kgcm²]

P ... [kW]
 I ... [A]
 i [-]
 c [-]

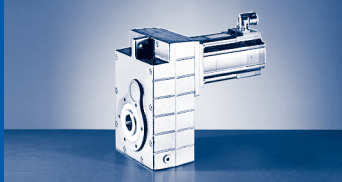


$M_{2GN} \leq 11615 \text{ Nm}$

195C17	195C23	195C35	195C42	21XC17	21XC25	21XC35	21XC42	GFL14-3A			
...F10	...S00	...F10	...S00	...F10	...S00	...F10	...S00	M_1	J_G	M_{2GN}	i
36.30	16.30	36.00	12.00	61.40	24.60	55.00	17.00	n_1			
1700	2340	3510	4150	1710	2490	3520	4160	I_{M400}			
13.9	8.2	28.7	14.0	22.5	13.5	42.5	19.8	P_N			
6.40	4.00	13.20	5.20	11.00	6.40	20.30	7.40	J_M			
72.12	72.12	72.04	72.12	180.04	180.04	180.04	180.04	M_2 c			
								$n_{2\text{ Eck}}$	1.98	10560	522.133
								$n_{2\text{ th}}$			
								M_2 c			
								$n_{2\text{ Eck}}$	1.91	9036	562.391
								$n_{2\text{ th}}$			
								M_2 c			
								$n_{2\text{ Eck}}$	1.90	9811	633.680
								$n_{2\text{ th}}$			
								M_2 c			
								$n_{2\text{ Eck}}$	1.26	9036	710.888
								$n_{2\text{ th}}$			
								M_2 c			
								$n_{2\text{ Eck}}$	1.25	9811	801.000
								$n_{2\text{ th}}$			

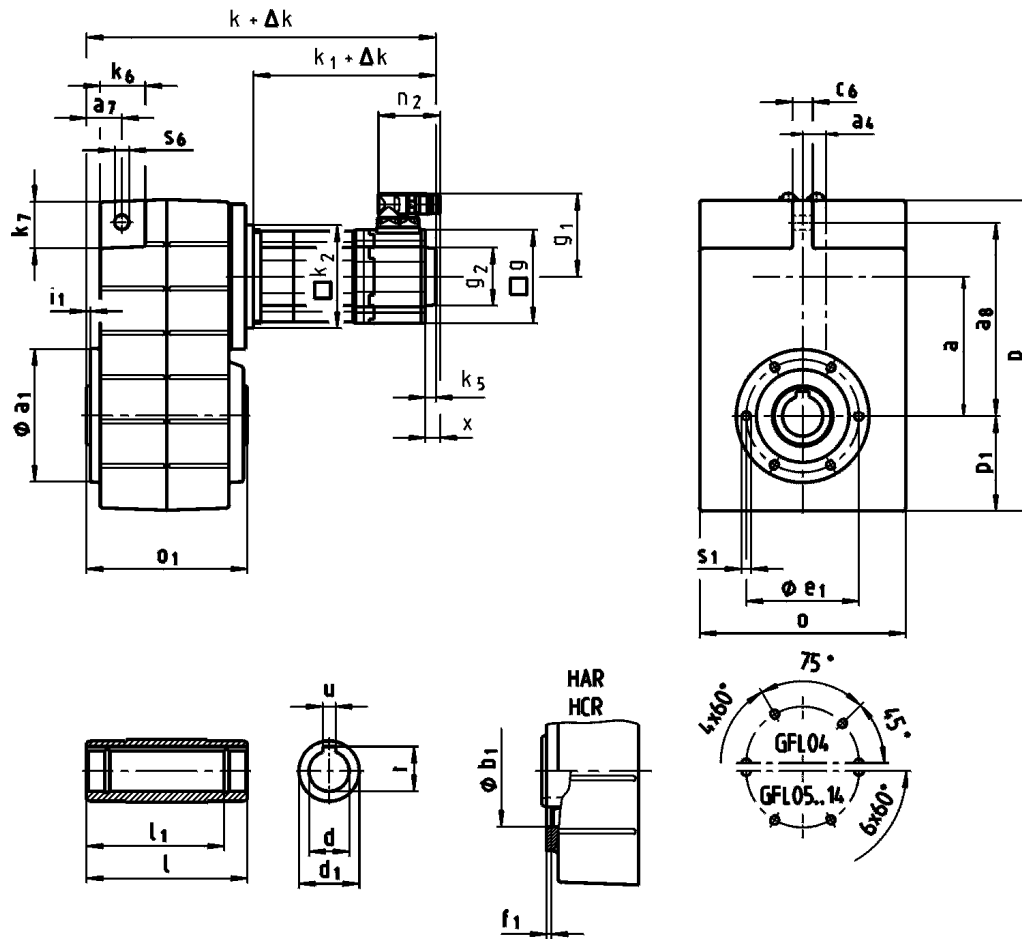
M ... [Nm]
n ... [r/min]
J ... [kgcm²]

P ... [kW]
I ... [A]
i [-]
c [-]



GFL [mm]

GFL□□-2S (MCS)



GFL□□-2S H□R ... RSO

		06C C41	06F C41	06I C41	09D C41	09F C38	09H C41	09L C41	12D C20	12D C41	12H C15	12H C30	12H C35	12L C20	12L C41	
GFL04...	k	260	290	320	312	332	352	392								
GFL05...	k	281	311	341	334	354	374	414	351		391			431		
GFL06...	k	294	324	354	347	367	387	427	364		404			444		
GFL07...	k				380	400	420	460	397		437			477		
GFL09...	k								431		471			511		
...RSO B0 ¹⁾	Δk	0														
...RSO P□ ¹⁾	Δk	19			20											
...RSO	k_1	132	162	192	183	203	223	263	188		228			268		
	k_2	66			91						118 145 ²⁾					
	g	62			89						116					
	k_5	0			13						14					
	g_2	□ 62			Ø 67						Ø 72					
	g_1	76			90						105					
	n_2	64			78											
x	21								18							

¹⁾ → 801 - SRS/SRM/ECN/EQN/EQI/C20

²⁾ GFL05: 12DC20 ... 12LC41



GFL□□-2S H□R ... RSO

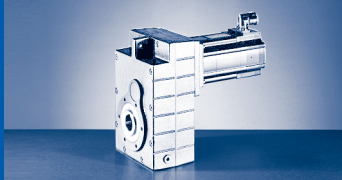
		14D C15	14D C36	14H C15	14H C32	14L C15	14L C32	14P C14	14P C32	19F C14	19F C30	19J C14	19J C30	19P C14	19P C30	
GFL06...	k	379		419		459		499								
GFL07...	k	412		452		492		532		451		491		551		
GFL09...	k	446		486		526		566		485		525		585		
GFL11...	k	487		527		567		607		526		566		626		
GFL14...	k									571		611		671		
...RSO B0 ¹⁾	Δ k	0														
...RSO P□ ²⁾	Δ k	28						34			44					
	k ₁	201		241		281		321		220		260		320		
	k ₂	145						195								
	g	143						192								
...RSO	k ₅	24						15								
	g ₂	Ø 78														
	g ₁	116				147		116	147	141	172	141	172	141	172	
	n ₂	78				94		78	94	78	94	78	94	78	94	
	x	16				38		16	38	16	36	16	36	16	36	

¹⁾ → 801 - SRS/SRM/ECN/EQN/EQI/C20

GFL□□-2S H□R

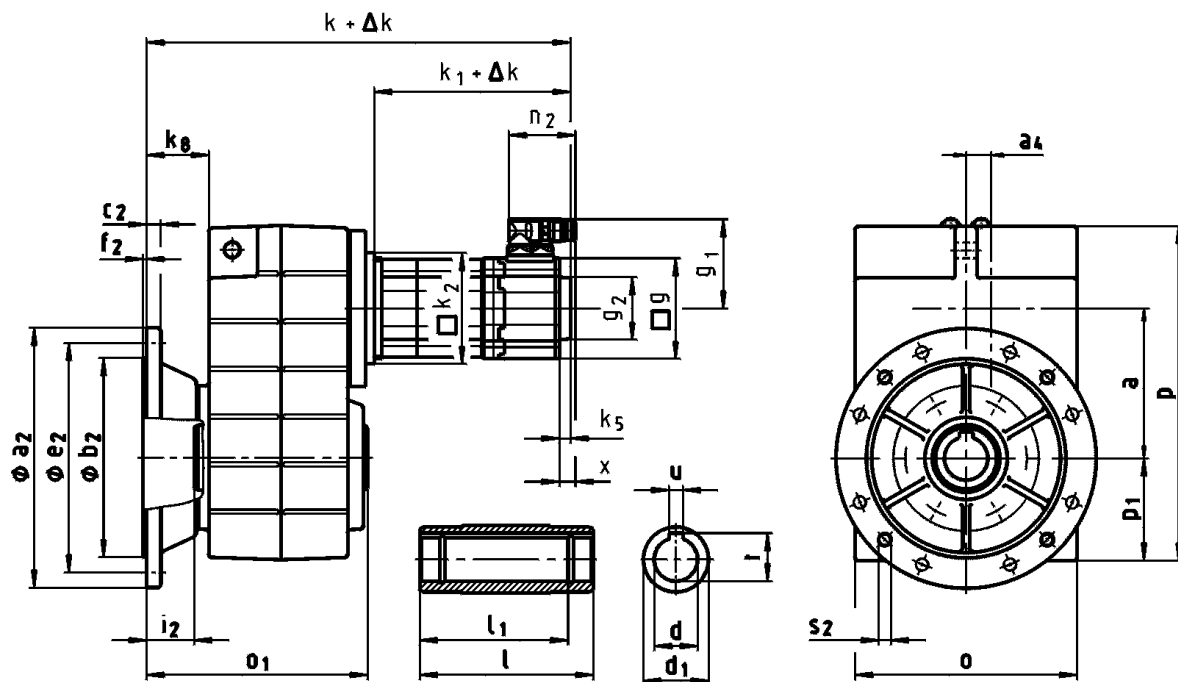
	o	o ₁	p	p ₁	a	a ₄	a ₇	a ₈	c ₆	s ₆	k ₆	k ₇
GFL04...	148	115	214	69	90.5	12.5	22.5	128	14	12.5	32	35
GFL05...	165	140	252	78	112.5	18.5	29	155	16	14	35	38
GFL06...	206	160	315	98	140	22	35	195	20		46	46
GFL07...	256	200	386	118	173	29	44	240	25	18	56	56
GFL09...	318	240	486	149	220	37.5	50	300	32	22	70	70
GFL11...	395	290	600	181	276.5	50	65	375	40	26	84	90
GFL14...	490	350	740	228	339	65	80	455	50	32	100	114

	d	l	d ₁	l ₁	u	t	a ₁	b ₁	e ₁	f ₁	i ₁	s ₁
	H7				JS9	+0,2		H7				
GFL04...	25	115	45	100	8	28.3	110	75	90	3	2.5	M6x12
	30					33.3						
GFL05...	35	140	50	124	10	38.3	118	80	100	4	4	M8x15
	40					43.3						
GFL06...	45	160	65	140	14	48.8	140	100	120	5	5	M10x16
	50					53.8						
GFL07...	55	200	75	175	16	59.3	165	115	140	6	6	M12x18
	60					64.4						
GFL09...	70	240	95	210	20	74.9	205	145	175	7	7	M16x24
	80					85.4						
GFL11...	80	290	105	250	22	85.4	240	140	205	6	6	M20x32
GFL14...	100	350	135	305	28	106.4	290	170	250	7	7	M24x35



GFL [mm]

GFL□□-2S (MCS)

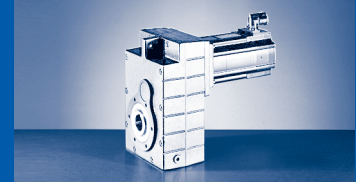


GFL□□-2S HCK ... RSO

		06C C41	06F C41	06I C41	09D C41	09F C38	09H C41	09L C41	12D C20	12D C41	12H C15	12H C30	12H C35	12L C20	12L C41	
GFL04...	k	293	323	353	346	366	386	426								
GFL05...	k	315	345	375	367	387	407	447	384		424			464		
GFL06...	k	337	367	397	389	409	429	469	406		446			486		
GFL07...	k				435	455	475	515	452		492			532		
GFL09...	k								491		531			571		
...RSO B0 ¹⁾	Δk	0														
...RSO P□ ¹⁾	Δk	19				20										
...RSO	k_1	132	162	192	183	203	223	263	188		228			268		
	k_2	66			91					118			145 ²⁾			
	g	62			89					116						
	k_5	0			13					14						
	g_2	□ 62			Ø 67					Ø 72						
	g_1	76			90					105						
	n_2	64								78						
x					21								18			

¹⁾ → 801 - SRS/SRM/ECN/EQN/EQI/C20

²⁾ GFL05: 12DC20 ... 12LC41



GFL□□-2S HCK ... RSO

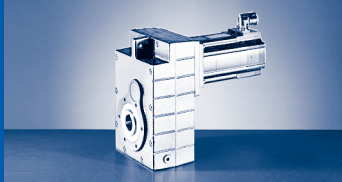
		14D C15	14D C36	14H C15	14H C32	14L C15	14L C32	14P C14	14P C32	19F C14	19F C30	19J C14	19J C30	19P C14	19P C30	
GFL06...	k	422		462		502		542								
GFL07...	k	468		508		548		588		507		547		607		
GFL09...	k	507		547		587		627		546		586		646		
GFL11...	k	548		588		628		668		587		627		687		
GFL14...	k									632		672		732		
...RSO B0 ¹⁾	Δ k	0														
...RSO P□ ²⁾	Δ k	28						34			44					
	k ₁	201		241		281		321		220		260		320		
	k ₂	145						195								
	g	143						192								
...RSO	k ₅	24						15								
	g ₂	Ø 78														
	g ₁	116				147	116	147	141	172	141	172	141	172	141	172
	n ₂	78				94	78	94	78	94	78	94	78	94	78	94
	x	16				38	16	38	16	36	16	36	16	36	16	36

1) → 801 - SRS/SRM/ECN/EQN/EQI/C20

GFL□□-2S HCK

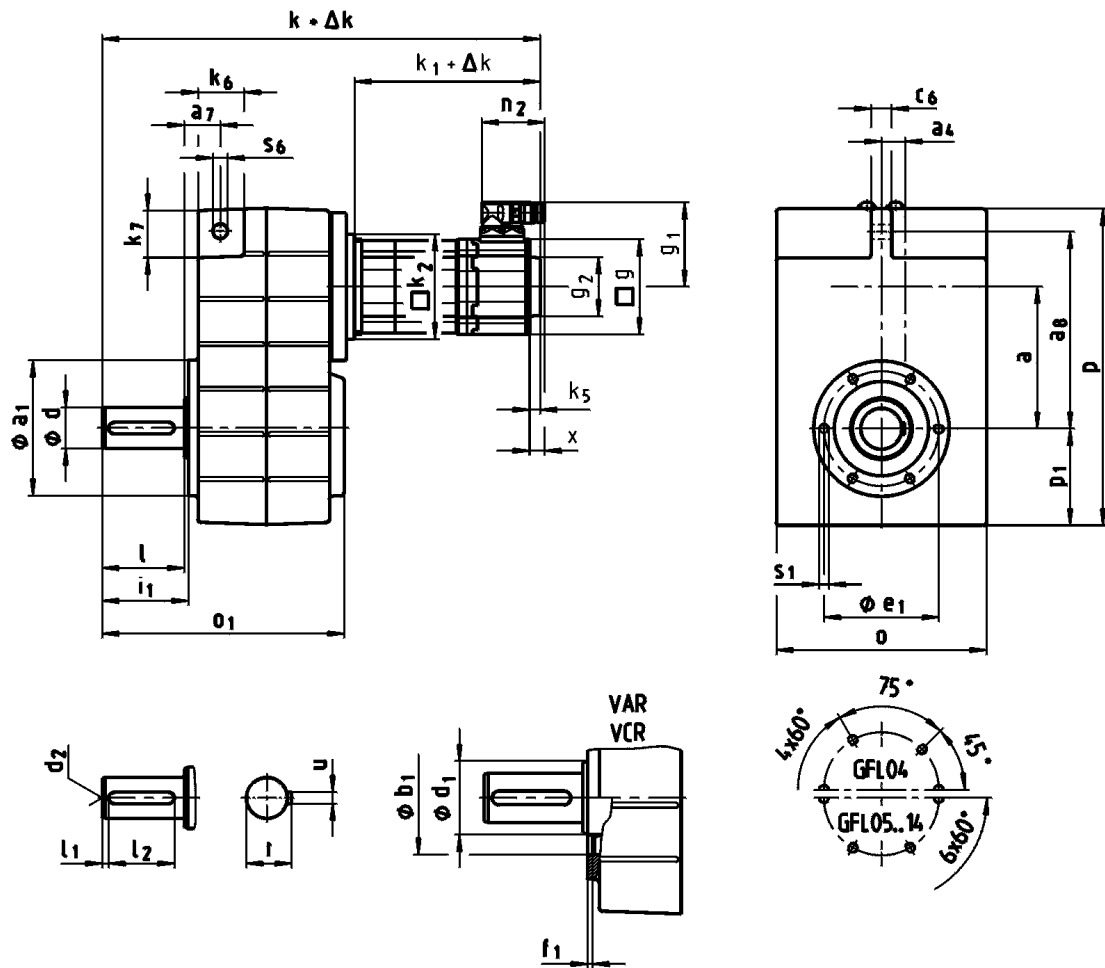
	o	o ₁	p	p ₁	a	a ₄	k _g
GFL04...	148	148	214	69	90.5	12.5	42
GFL05...	165	173	252	78	112.5	18.5	46
GFL06...	206	201	315	98	140	22	56
GFL07...	256	255	386	118	173	29	73
GFL09...	318	300	486	149	220	37.5	78
GFL11...	395	350	600	181	276.5	50	86
GFL14...	490	410	740	228	339	65	90

	d	l	d ₁	l ₁	u	t	a ₂	b ₂	c ₂	e ₂	f ₂	i ₂	s ₂
	H7				JS9	+0,2		j7					
GFL04...	25	115	45	100	8	28.3	160	110	10	130	3.5	33.5	4 x 9
	30					33.3							
GFL05...	35	140	50	124	10	38.3	200	130	12	165	4	42.5	4 x 11
	40					43.3							
GFL06...	45	160	65	140	14	48.8	250	180	15	215	4	41.5	4 x 14
	50					53.8							
GFL07...	55	200	75	175	16	59.3	300	230	17	265	4	55.5	4 x 17.5
	60					64.4							
GFL09...	70	240	95	210	20	74.9	350	250	18	300	5	60.5	4 x 17.5
	80					85.4							
GFL11...	80	290	105	250	22	85.4	400	300	20	350	5	60.5	4 x 17.5
	100					106.4							
GFL14...	100	350	135	305	28	106.4	450	350	22	400	5	60.5	8 x 17.5



GFL [mm]

GFL□□-2S (MCS)



GFL□□-2S V□R ... RSO

		06C C41	06F C41	06I C41	09D C41	09F C38	09H C41	09L C41	12D C20	12D C41	12H C15	12H C30	12H C35	12L C20	12L C41		
GFL04...	k	310	340	370	362	382	402	442									
GFL05...	k	341	371	401	394	414	434	474	411		451			491			
GFL06...	k	374	404	434	427	447	467	507	444		484			524			
GFL07...	k				480	500	520	560	497		537			577			
GFL09...	k								551		591			631			
...RSO B0 ¹⁾	Δk	0															
...RSO P□ ²⁾	Δk	19								20							
...RSO	k_1	132	162	192	183	203	223	263	188		228			268			
	k_2	66			91								118 145 ²⁾				
	g	62			89								116				
	k_5	0			13								14				
	g_2	□ 62			Ø 67								Ø 72				
	g_1	76			90								105				
	n_2	64							78								
	x				21								18				

¹⁾ → 801 - SRS/SRM/ECN/EQN/EQI/C20

²⁾ GFL05: 12DC20 ... 12LC41



GFL□□-2S V□R ... RSO

		14D C15	14D C36	14H C15	14H C32	14L C15	14L C32	14P C14	14P C32	19F C14	19F C30	19J C14	19J C30	19P C14	19P C30				
GFL06...	k	459		499		539		579											
GFL07...	k	512		552		592		632		551		591		651					
GFL09...	k	566		606		646		686		605		645		705					
GFL11...	k	647		687		727		767		686		726		786					
GFL14...	k									771		811		871					
...RSO B0 ¹⁾	Δ k	0																	
...RSO P□ ²⁾	Δ k	28						34			44								
	k ₁	201		241		281		321		220		260		320					
	k ₂	145						195											
	g	143						192											
...RSO	k ₅	24						15											
	g ₂	Ø 78																	
	g ₁	116				147		116		147		141		172		141		172	
	n ₂	78				94		78		94		78		94		78		94	
	x	16				38		16		38		16		36		16		36	

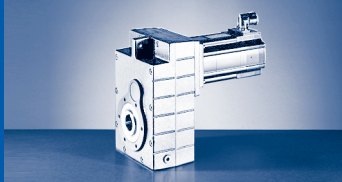
¹⁾ →  801 - SRS/SRM/ECN/EQN/EQI/C20

GFL□□-2S V□R

	o	o ₁	p	p ₁	a	a ₄	a ₇	a ₈	c ₆	s ₆	k ₆	k ₇
GFL04...	148	163	214	69	90.5	12.5	22.5	128	14	12.5	32	35
GFL05...	165	197	252	78	112.5	18.5	29	155	16	14	35	38
GFL06...	206	236	315	98	140	22	35	195	20		46	46
GFL07...	256	296	386	118	173	29	44	240	25	18	56	56
GFL09...	318	356	486	149	220	37.5	50	300	32	22	70	70
GFL11...	395	445	600	181	276.5	50	65	375	40	26	84	90
GFL14...	490	544	740	228	339	65	80	455	50	32	100	114

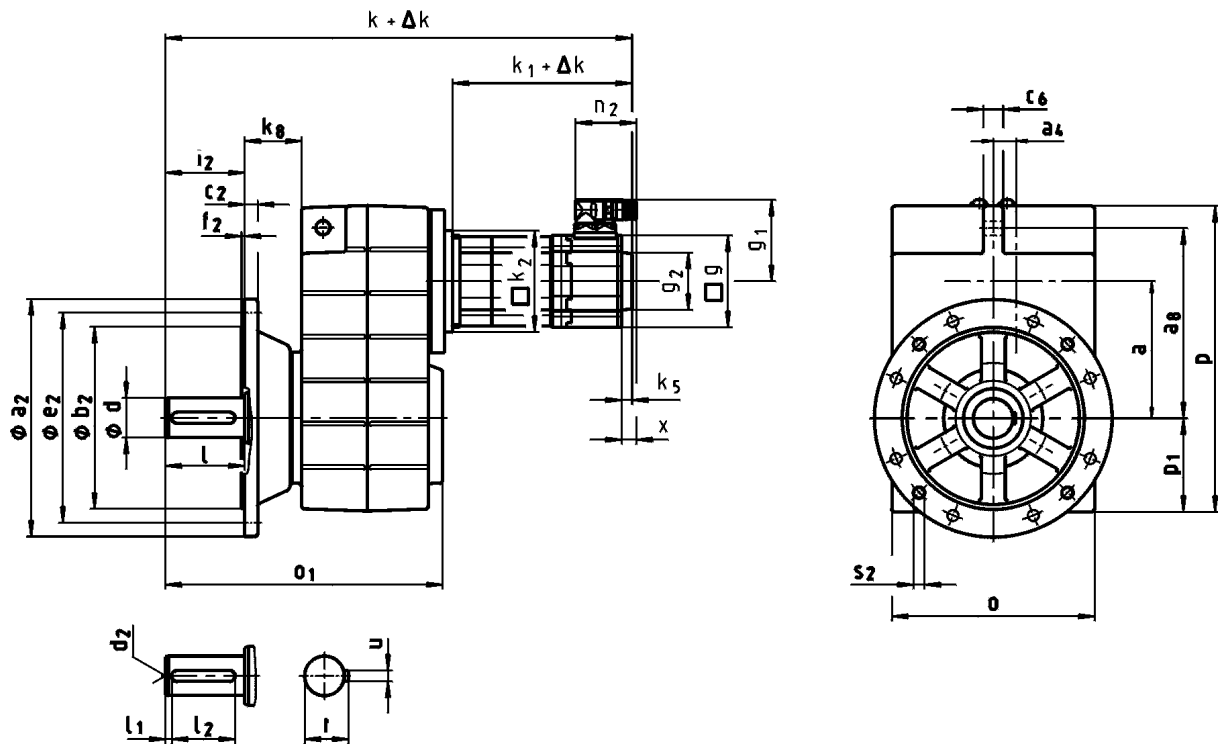
	d	l	d ₁	l ₁	l ₂	d ₂	u	t	a ₁	b ₁	e ₁	f ₁	i ₁	s ₁
										H7				
GFL04...	25	50	45	4	40	M10	8	28	110	75	90	3	52.5	M6x12
GFL05...	30	60	50	6	45			33	118	80	100		4	64
GFL06...	40	80	65	7	63	M16	12	43	140	100	120	5		85
GFL07...	50	100	75	8	80			14	53.5	165	115		140	175
GFL09...	60	120	95		100	M20	18	64	205	145	175	6	125	M16x24
GFL11...	80	160	105	15	125		22	85	240	140	205		205	166
GFL14...	100	200	135	18	160	M24	28	106	290	170	250	207	M24x35	

d ≤ 50 mm: k6; d > 50 mm: m6



GFL [mm]

GFL□□-2S (MCS)

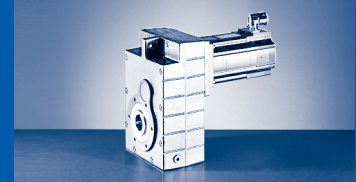


GFL□□-2S VCK ... RSO

		06C C41	06F C41	06I C41	09D C41	09F C38	09H C41	09L C41	12D C20	12D C41	12H C15	12H C30	12H C35	12L C20	12L C41		
GFL04...	k	343	373	403	396	416	436	476									
GFL05...	k	374	404	434	427	447	467	507	444		484			524			
GFL06...	k	415	445	475	468	488	508	548	485		525			565			
GFL07...	k				535	555	575	615	552		592			632			
GFL09...	k								611		651			691			
...RSO B0 ¹⁾	Δk	0															
...RSO P□ ²⁾	Δk	19								20							
...RSO	k_1	132	162	192	183	203	223	263	188		228			268			
	k_2	66			91				118				145 ²⁾				
	g	62			89				116								
	k_5	0			13				14								
	g_2	□ 62			Ø 67				Ø 72								
	g_1	76			90				105								
	n_2	64							78								
	x					21								18			

¹⁾ → 801 - SRS/SRM/ECN/EQN/EQI/C20

²⁾ GFL05: 12DC20 ... 12LC41



GFL□□-2S VCK ... RSO

		14D C15	14D C36	14H C15	14H C32	14L C15	14L C32	14P C14	14P C32	19F C14	19F C30	19J C14	19J C30	19P C14	19P C30				
GFL06...	k	500		540		580		620											
GFL07...	k	567		607		647		687		606		646		706					
GFL09...	k	626		666		706		746		665		705		765					
GFL11...	k	707		747		787		827		746		786		846					
GFL14...	k									831		871		931					
...RSO B0 ¹⁾	Δ k	0																	
...RSO P□ ²⁾	Δ k	28						34			44								
	k ₁	201		241		281		321		220		260		320					
	k ₂	145						195											
	g	143						192											
...RSO	k ₅	24						15											
	g ₂	Ø 78																	
	g ₁	116				147		116		147		141		172		141		172	
	n ₂	78				94		78		94		78		94		78		94	
	x	16				38		16		38		16		36		16		36	

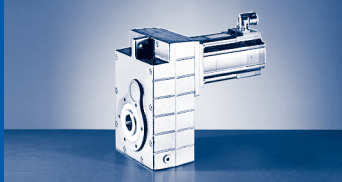
¹⁾ →  801 - SRS/SRM/ECN/EQN/EQI/C20

GFL□□-2S VCK

	o	o ₁	p	p ₁	a	a ₄	k _g
GFL04...	148	196	214	69	90.5	12.5	42
GFL05...	165	230	252	78	112.5	18.5	46
GFL06...	206	277	315	98	140	22	56
GFL07...	256	351	386	118	173	29	73
GFL09...	318	416	486	149	220	37.5	78
GFL11...	395	505	600	181	276.5	50	86
GFL14...	490	604	740	228	339	65	90

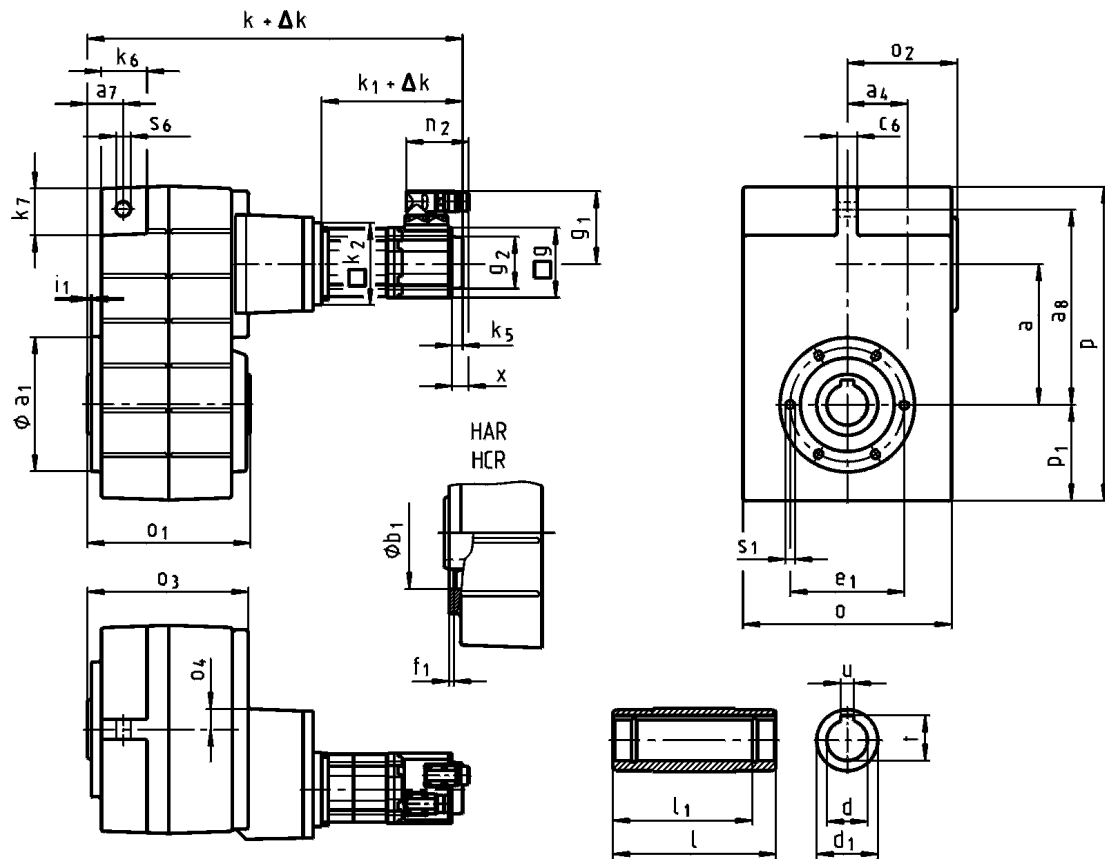
	d	l	l ₁	l ₂	d ₂	u	t	a ₂	b ₂	c ₂	e ₂	f ₂	i ₂	s ₂
									j7					
GFL04...	25	50	4	40	M10	8	28	160	110	10	130	3.5	50	4 x 9
GFL05...	30	60	6	45			33	200	130	12	165		60	4 x 11
GFL06...	40	80	7	63	M16	14	43	250	180	15	215	4	80	4 x 14
GFL07...	50	100	8	80			53.5	300	230	17	265		100	
GFL09...	60	120		100	M20	22	64	350	250	18	300	5	120	4 x 17.5
GFL11...	80	160	15	125			85	400	300	20	350		160	
GFL14...	100	200	18	160			M24	28	106	450	350		22	

d ≤ 50 mm: k6; d > 50 mm: m6



GFL [mm]

GFL□□-3S (MCS)

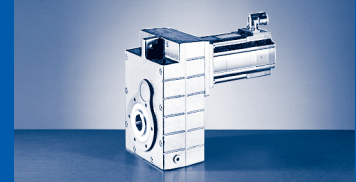


GFL□□-3S H□R ... RSO

		06C C41	06F C41	06I C41	09D C41	09F C38	09H C41	09L C41	12D C20	12D C41	12H C15	12H C30	12H C35	12L C20	12L C41	
GFL05...	k	358	388	418	410	430	450	490								
GFL06...	k	388	418	448	440	460	480	520								
GFL07...	k	432	462	492	484	504	524	564	501		541			581		
GFL09...	k	484	514	544	536	556	576	616	553		593			633		
GFL11...	k				596	616	636	676	613		653			693		
GFL14...	k								692		732			772		
...RSO B0 ¹⁾	Δk	0														
...RSO P□ ²⁾	Δk	19			20											
	k_1	132	162	192	183	203	223	263	188		228			268		
	k_2	66			91				118				145 ²⁾			
	g	62			89				116							
...RSO	k_5	0			13				14							
	g_2	□ 62			Ø 67				Ø 72							
	g_1	76			90				105							
	n_2	64							78							
	x				21				18							

¹⁾ → 801 - SRS/SRM/ECN/EQN/EQI/C20

²⁾ GFL07: 12DC20 ... 12LC41



GFL□□-3S H□R ... RSO

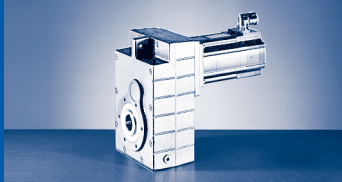
		14D C15	14D C36	14H C15	14H C32	14L C15	14L C32	14P C14	14P C32	19F C14	19F C30	19J C14	19J C30	19P C14	19P C30				
GFL09...	k	569		609		649		689											
GFL11...	k	629		669		709		749		668		708		768					
GFL14...	k	708		748		788		828		747		787		847					
...RSO B0 ¹⁾	Δ k	0																	
...RSO P□ ¹⁾	Δ k	28						34			44								
	k ₁	201		241		281		321		220		260		320					
	k ₂	145						195											
	g	143						192											
...RSO	k ₅	24						15											
	g ₂	Ø 78																	
	g ₁	116				147		116		147		141		172		141		172	
	n ₂	78				94		78		94		78		94		78		94	
	x	16				38		16		38		16		36		16		36	

1) → 801 - SRS/SRM/ECN/EQN/EQI/C20

GFL□□-3S H□R

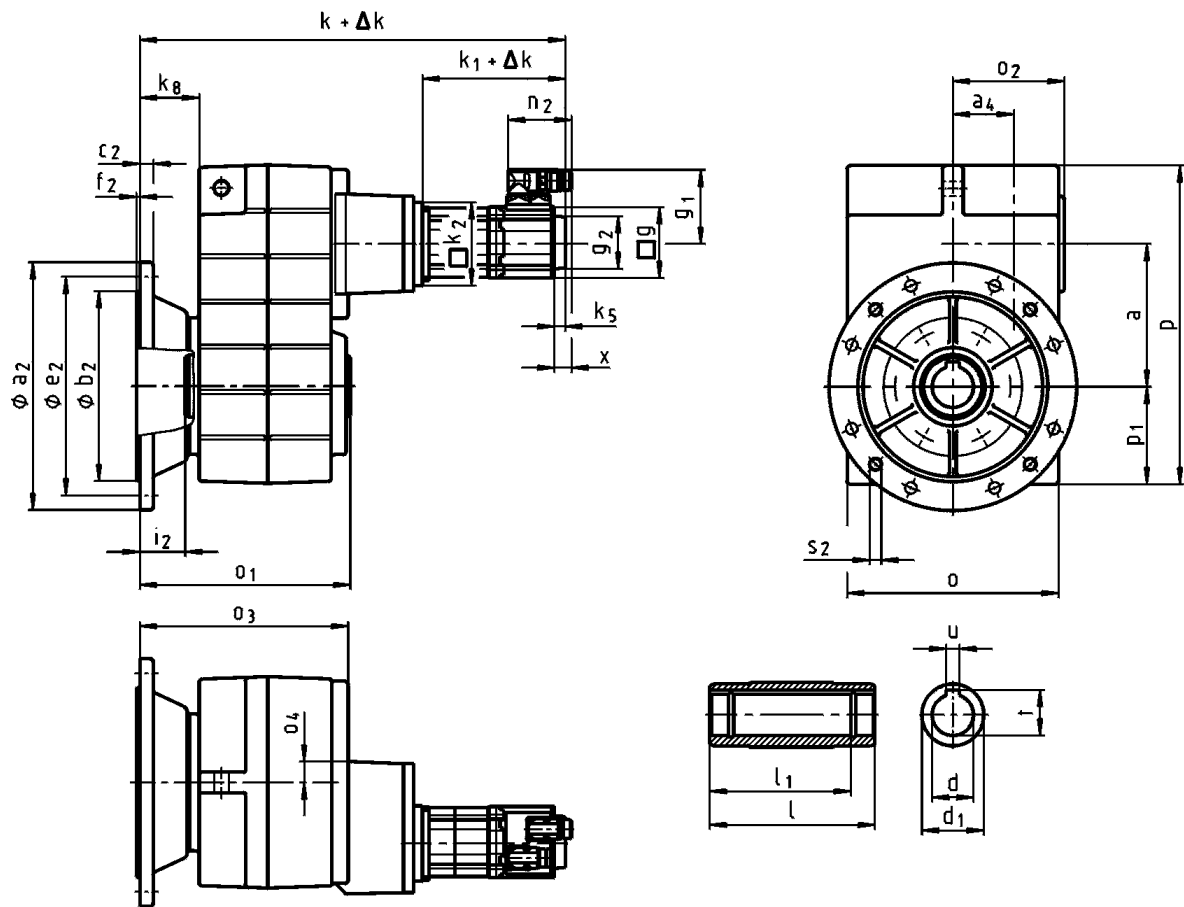
	o	o ₁	o ₂	o ₃	o ₄	p	p ₁	a	a ₄	a ₇	a ₈	c ₆	s ₆	k ₆	k ₇
GFL05...	165	140	107	141	23	252	78	112.5	54.5	29	155	16	14	35	38
GFL06...	206	160	111	160	20	315	98	140	58	35	195	20		46	46
GFL07...	256	200	135	199	24	386	118	173	74	44	240	25	18	56	56
GFL09...	318	240	170	238	27	486	149	220	93.5	50	300	32	22	70	70
GFL11...	395	290	216	285	34	600	181	276.5	120	65	375	40	26	84	90
GFL14...	490	350	271	340	38	740	228	339	154	80	455	50	32	100	114

	d	l	d ₁	l ₁	u	t	a ₁	b ₁	e ₁	f ₁	i ₁	s ₁
	H7				JS9	+0,2		H7				6x60°
GFL05...	30	140	50	124	8	33.3	118	80	100	4	4	M8x15
	35				10	38.3						
GFL06...	40	160	65	140	12	43.3	140	100	120			
	45				14	48.8						
GFL07...	50	200	75	175	14	53.8	165	115	140	5	5	M12x18
	55				16	59.3						
GFL09...	60	240	95	210	18	64.4	205	145	175	6	6	M16x24
	70				20	74.9						
GFL11...	80	290	105	250	22	85.4	240	140	205			
	80				22	85.4						
GFL14...	100	350	135	305	28	106.4	290	170	250	7	7	M24x35



GFL [mm]

GFL□□-3S (MCS)



GFL□□-3S HCK ... RSO

		06C C41	06F C41	06I C41	09D C41	09F C38	09H C41	09L C41	12D C20	12D C41	12H C15	12H C30	12H C35	12L C20	12L C41	
GFL05...	k	391	421	451	444	464	484	524								
GFL06...	k	430	460	490	483	503	523	563								
GFL07...	k	487	517	547	540	560	580	620	557		597			637		
GFL09...	k	544	574	604	597	617	637	677	614		654			694		
GFL11...	k				657	677	697	737	674		714			754		
GFL14...	k								753		793			833		
...RSO B0 ¹⁾	Δk	0														
...RSO P□ ²⁾	Δk	19				20										
...RSO	k_1	132	162	192	183	203	223	263	188		228			268		
	k_2	66			91				118				145 ²⁾			
	g	62			89				116							
	k_5	0			13				14							
	g_2	□ 62			Ø 67				Ø 72							
	g_1	76			90				105							
	n_2	64			78											
	x	21							18							

¹⁾ → 801 - SRS/SRM/ECN/EQN/EQI/C20

²⁾ GFL07: 12DC20 ... 12LC41



GFL□□-3S HCK ... RSO

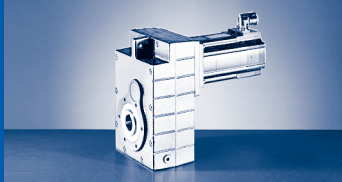
		14D C15	14D C36	14H C15	14H C32	14L C15	14L C32	14P C14	14P C32	19F C14	19F C30	19J C14	19J C30	19P C14	19P C30				
GFL09...	k	629		669		709		749											
GFL11...	k	689		729		769		809		728		768		828					
GFL14...	k	768		808		848		888		807		847		907					
...RSO B0 ¹⁾	Δ k	0																	
...RSO P□ ¹⁾	Δ k	28						34			44								
	k ₁	201		241		281		321		220		260		320					
	k ₂	145						195											
	g	143						192											
...RSO	k ₅	24						15											
	g ₂	Ø 78																	
	g ₁	116				147		116		147		141		172		141		172	
	n ₂	78				94		78		94		78		94		78		94	
	x	16				38		16		38		16		36		16		36	

¹⁾ → 801 - SRS/SRM/ECN/EQN/EQI/C20

GFL□□-3S HCK

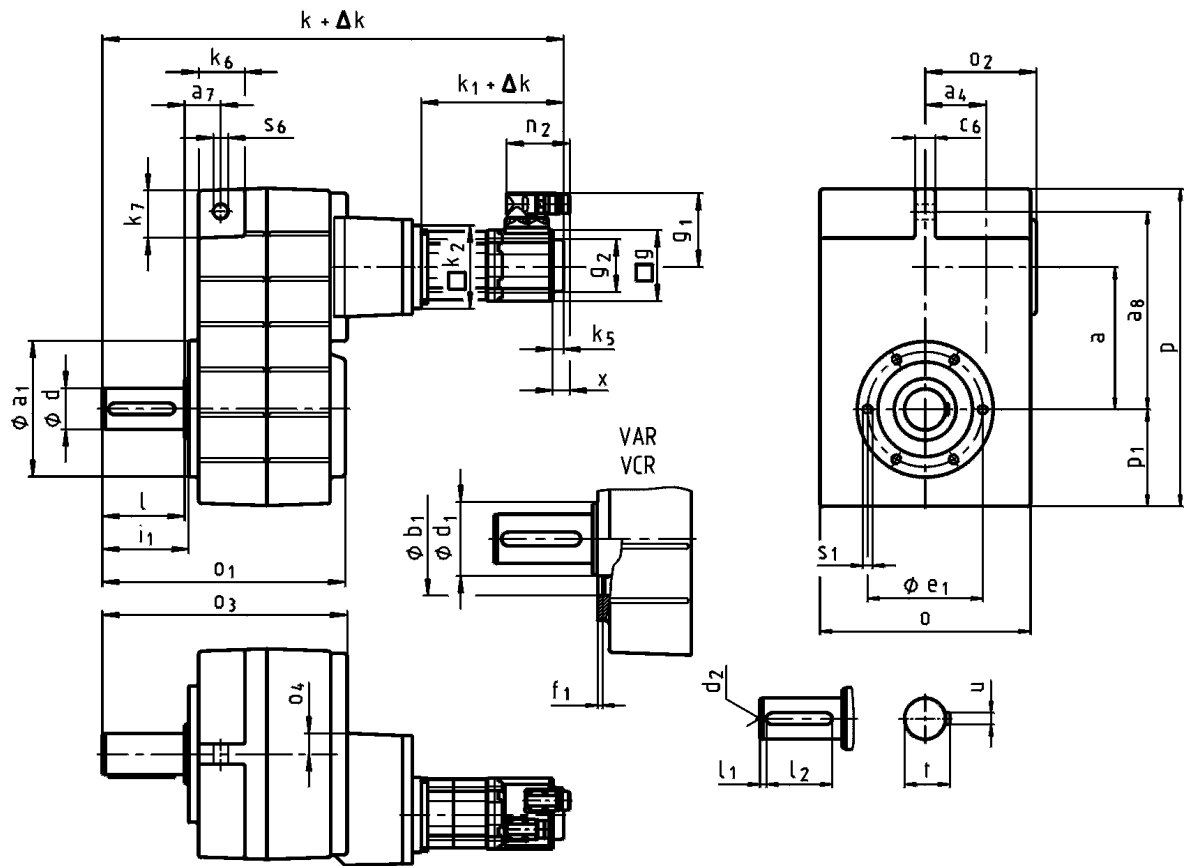
	o	o ₁	o ₂	o ₃	o ₄	p	p ₁	a	a ₄	k ₈
GFL05...	165	173	107	174	23	252	78	112.5	54.5	46
GFL06...	206	201	111	201	20	315	98	140	58	56
GFL07...	256	255	135	254	24	386	118	173	74	73
GFL09...	318	300	170	298	27	486	149	220	93.5	78
GFL11...	395	350	216	345	34	600	181	276.5	120	86
GFL14...	490	410	271	400	38	740	228	339	154	90

	d	l	d ₁	l ₁	u	t	a ₂	b ₂	c ₂	e ₂	f ₂	i ₂	s ₂
	H7				JS9	+0,2		j7					
GFL05...	30	140	50	124	8	33.3	200	130	12	165	3.5	33.5	4 x 11
	35				10	38.3						42.5	
GFL06...	40	160	65	140	12	43.3	250	180	15	215	4	41.5	4 x 14
	45				14	48.8						55.5	
GFL07...	50	200	75	175	16	53.8	300	230	17	265	4	55.5	4 x 17.5
	55				18	59.3						60.5	
GFL09...	60	240	95	210	20	64.4	350	250	18	300	5	60.5	8 x 17.5
	70				22	74.9						8 x 17.5	
GFL11...	80	290	105	250	22	85.4	400	300	20	350	5	60.5	8 x 17.5
	80				28	85.4						8 x 17.5	
GFL14...	100	350	135	305	28	106.4	450	350	22	400	5	60.5	8 x 17.5



GFL [mm]

GFL□□-3S (MCS)



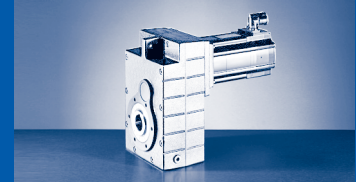
GFL□□-3S V□R ... RSO

		06C C41	06F C41	06I C41	09D C41	09F C38	09H C41	09L C41	12D C20	12D C41	12H C15	12H C30	12H C35	12L C20	12L C41
GFL05...	k	418	448	478	470	490	510	550							
GFL06...	k	468	498	528	520	540	560	600							
GFL07...	k	532	562	592	584	604	624	664	601		641			681	
GFL09...	k	604	634	664	656	676	696	736	673		713			753	
GFL11...	k				756	776	796	836	773		813			853	
GFL14...	k								892		932			972	

...RSO B0 ¹⁾	Δk	0														
...RSO P□ ¹⁾	Δk	19						20								
	k_1	132	162	192	183	203	223	263	188			228			268	
	k_2	66			91				118						145 ²⁾	
	g	62				89				116						
...RSO	k_5	0				13				14						
	g_2	□ 62				Ø 67				Ø 72						
	g_1	76				90				105						
	n_2	64								78						
	x					21				18						

¹⁾ → 801 - SRS/SRM/ECN/EQN/EQI/C20

²⁾ GFL07: 12DC20 ... 12LC41



GFL□□-3S V□R ... RSO

		14D C15	14D C36	14H C15	14H C32	14L C15	14L C32	14P C14	14P C32	19F C14	19F C30	19J C14	19J C30	19P C14	19P C30				
GFL09...	k	689		729		769		809											
GFL11...	k	789		829		869		909		828		868		928					
GFL14...	k	908		948		988		1028		947		987		1047					
...RSO B0 ¹⁾	Δ k	0																	
...RSO P□ ¹⁾	Δ k	28						34			44								
	k ₁	201		241		281		321		220		260		320					
	k ₂	145						195											
	g	143						192											
...RSO	k ₅	24						15											
	g ₂	Ø 78																	
	g ₁	116				147		116		147		141		172		141		172	
	n ₂	78				94		78		94		78		94		78		94	
	x	16				38		16		38		16		36		16		36	

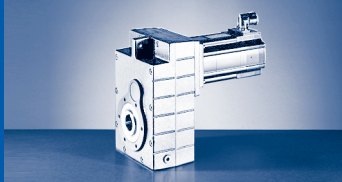
¹⁾ → 801 - SRS/SRM/ECN/EQN/EQI/C20

GFL□□-3S V□R

	o	o ₁	o ₂	o ₃	o ₄	p	p ₁	a	a ₄	a ₇	a ₈	c ₆	s ₆	k ₆	k ₇
GFL05...	165	197	107	201	23	252	78	112.5	54.5	29	155	16	14	35	38
GFL06...	206	236	111	240	20	315	98	140	58	35	195	20		46	46
GFL07...	256	296	135	299	24	386	118	173	74	44	240	25	18	56	56
GFL09...	318	356	170	358	27	486	149	220	93.5	50	300	32	22	70	70
GFL11...	395	445	216	445	34	600	181	276.5	120	65	375	40	26	84	90
GFL14...	490	544	271	540	38	740	228	339	154	80	455	50	32	100	114

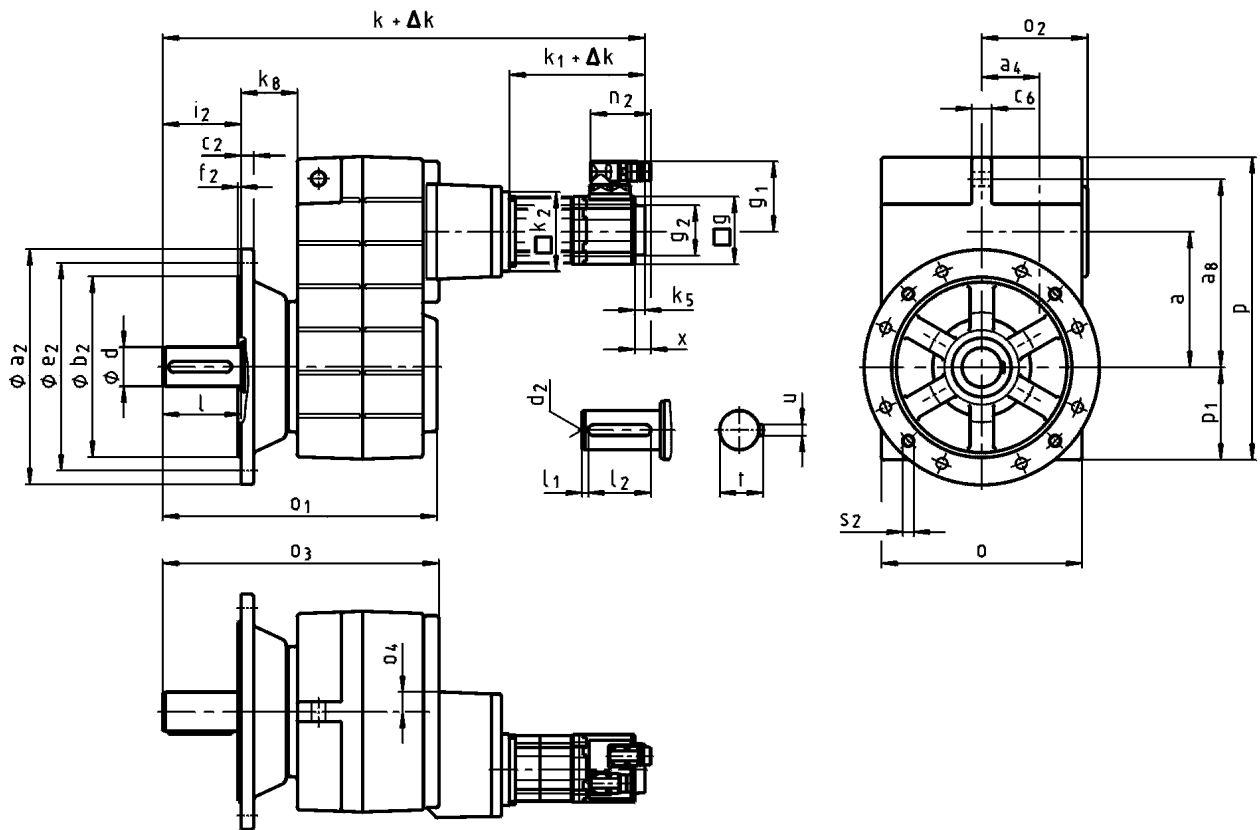
	d	l	d ₁	l ₁	l ₂	d ₂	u	t	a ₁	b ₁	e ₁	f ₁	i ₁	s ₁
										H7				6x60°
GFL05...	30	60	50	6	45	M10	8	33	118	80	100	4	64	M8x15
GFL06...	40	80	65	7	63	M16	12	43	140	100	120		85	M10x16
GFL07...	50	100	75	8	80		14	53.5	165	115	140	5	105	M12x18
GFL09...	60	120	95		100	M20	18	64	205	145	175	6	125	M16x24
GFL11...	80	160	105	125	22		85	240	140	205	166		M20x32	
GFL14...	100	200	135	18	160	M24	28	106	290	170	250		207	M24x35

d ≤ 50 mm: k6; d > 50 mm: m6



GFL [mm]

GFL□□-3S (MCS)

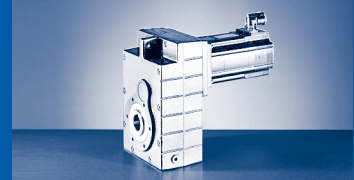


GFL□□-3S VCK ... RSO

		06C C41	06F C41	06I C41	09D C41	09F C38	09H C41	09L C41	12D C20	12D C41	12H C15	12H C30	12H C35	12L C20	12L C41	
GFL05...	k	451	481	511	504	524	544	584								
GFL06...	k	509	539	569	562	582	602	642								
GFL07...	k	587	617	647	640	660	680	720	657			697			737	
GFL09...	k	664	694	724	717	737	757	797	734			774			814	
GFL11...	k				817	837	857	897	834			874			914	
GFL14...	k								953			993			1033	
...RSO B0 ¹⁾	Δ k	0														
...RSO P□ ²⁾	Δ k	19				20										
	k ₁	132	162	192	183	203	223	263	188					268		
	k ₂	66			91							118		145 ²⁾		
	g	62			89							116				
...RSO	k ₅	0			13							14				
	g ₂	□ 62			∅ 67							∅ 72				
	g ₁	76			90							105				
	n ₂	64							78							
	x					21							18			

¹⁾ → 801 - SRS/SRM/ECN/EQN/EQI/C20

²⁾ GFL07: 12DC20 ... 12LC41



GFL□□-3S VCK ... RSO

		14D C15	14D C36	14H C15	14H C32	14L C15	14L C32	14P C14	14P C32	19F C14	19F C30	19J C14	19J C30	19P C14	19P C30	
GFL09...	k	749		789		829		869								
GFL11...	k	849		889		929		969		888		928		988		
GFL14...	k	968		1008		1048		1088		1007		1047		1107		
...RSO B0 ¹⁾	Δ k	0														
...RSO P□ ¹⁾	Δ k	28						34			44					
	k ₁	201		241		281		321		220		260		320		
	k ₂	145						195								
	g	143						192								
...RSO	k ₅	24						15								
	g ₂	Ø 78														
	g ₁	116				147	116	147	141	172	141	172	141	172	141	172
	n ₂	78				94	78	94	78	94	78	94	78	94	78	94
	x	16				38	16	38	16	36	16	36	16	36	16	36

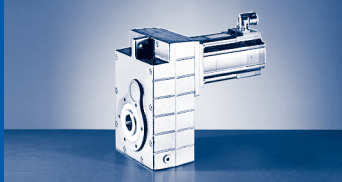
¹⁾ →  801 - SRS/SRM/ECN/EQN/EQI/C20

GFL□□-3S VCK

	o	o ₁	o ₂	o ₃	o ₄	p	p ₁	a	a ₄	k ₈
GFL05...	165	230	107	234	23	252	78	112.5	54.5	46
GFL06...	206	277	111	281	20	315	98	140	58	56
GFL07...	256	351	135	354	24	386	118	173	74	73
GFL09...	318	416	170	418	27	486	149	220	93.5	78
GFL11...	395	505	216	505	34	600	181	276.5	120	86
GFL14...	490	604	271	600	38	740	228	339	154	90

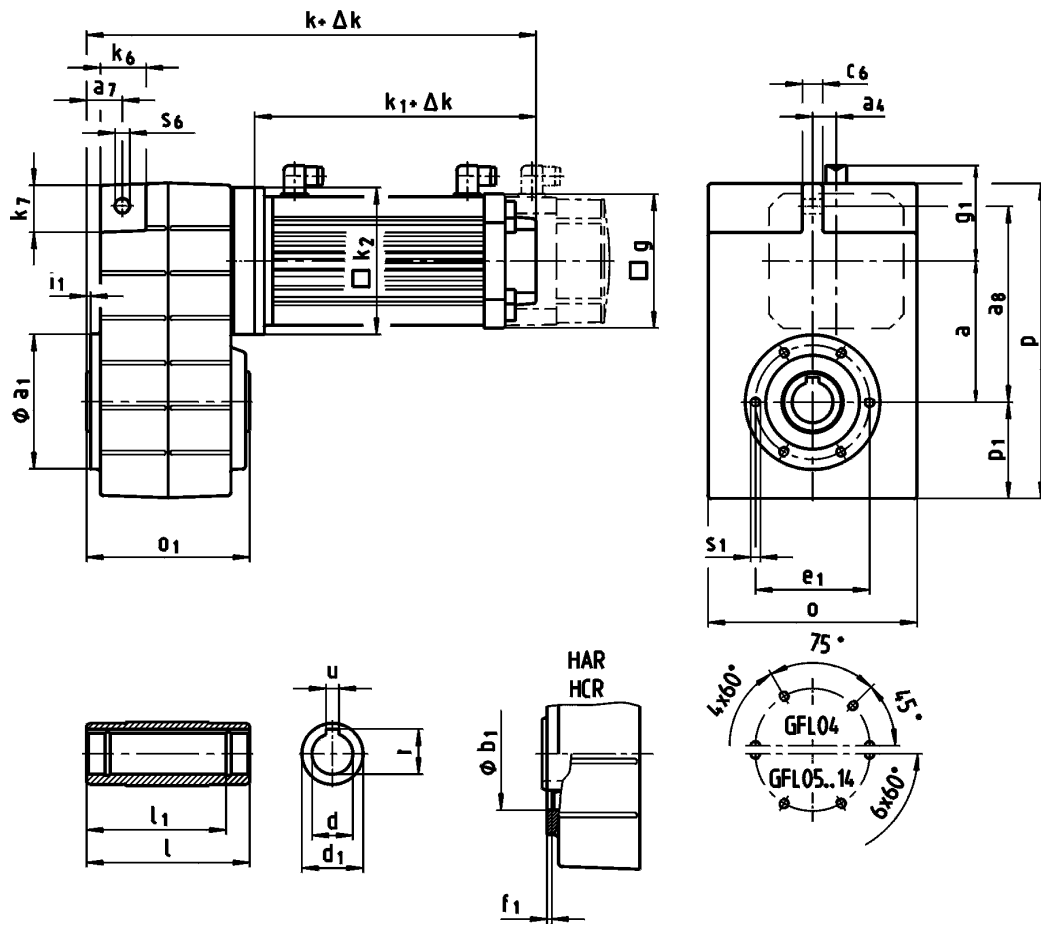
	d	l	l ₁	l ₂	d ₂	u	t	a ₂	b ₂	c ₂	e ₂	f ₂	i ₂	s ₂
									j7					
GFL05...	30	60	6	45	M10	8	33	200	130	12	165	3.5	60	4 x 11
GFL06...	40	80	7	63	M16	12	43	250	180	15	215	4	80	4 x 14
GFL07...	50	100	8	80		14	53.5	300	230	17	265		100	
GFL09...	60	120		100	M20	18	64	350	250	18	300	5	120	4 x 17.5
GFL11...	80	160	15	125		22	85	400	300	20	350		160	
GFL14...	100	200	18	160		M24	28	106	450	350	22		400	200

d ≤ 50 mm: k6; d > 50 mm: m6



GFL [mm]

GFL□□-2A (MCA)



GFL□□-2A H□R ... RSO

		10I C40 ...S00	13I C41 ...S00	13I C34 ...F10	14L C20 ...S00	14L C41 ...S00	14L C16 ...F10	14L C35 ...F10	17N C23 ...S00	17N C41 ...S00
GFL04...	k	388	396	464						
GFL05...	k	409	418	486	468		530			
GFL06...	k	422	431	499	481		543		520	
GFL07...	k	455	464	532	514		576		553	
GFL09...	k				548		610		587	
GFL11...	k				589		651		628	
...RSO B0 ¹⁾	Δk	0								
...RSO P□ ¹⁾	Δk	25	35			33			35	
	k_1	258	267	335	307		369		346	
	k_2	145				180				
	g	102	131			142			165	
	g_1	90	102			109			118	

¹⁾ → 803 - SRS/SRM/ECN/EQN/EQI/S20/T20/CDD



GFL□□-2A H□R ... RSO

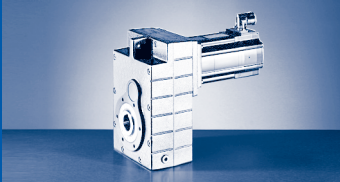
		17N C17 ...F10	17N C35 ...F10	19S C23 ...S00	19S C42 ...S00	19S C17 ...F10	19S C35 ...F10	21X C25 ...S00	21X C42 ...S00	21X C17 ...F10	21X C35 ...F10	
GFL06...	k	609										
GFL07...	k	642		621		718		700		796		
GFL09...	k	676		655		752		734		830		
GFL11...	k	717		696		793		775		871		
GFL14...	k			741		838		820		916		
...RSO B0 ¹⁾	Δ k	0										
...RSO P□ ¹⁾	Δ k	35			38			42				
	k ₁	435		408		505		479		575		
	k ₂	180				222				265		
	g	165				192				214		
	g ₁	118				161				172		

¹⁾ → 803 - SRS/SRM/ECN/EQN/EQI/S20/T20/CDD

GFL□□-2A H□R

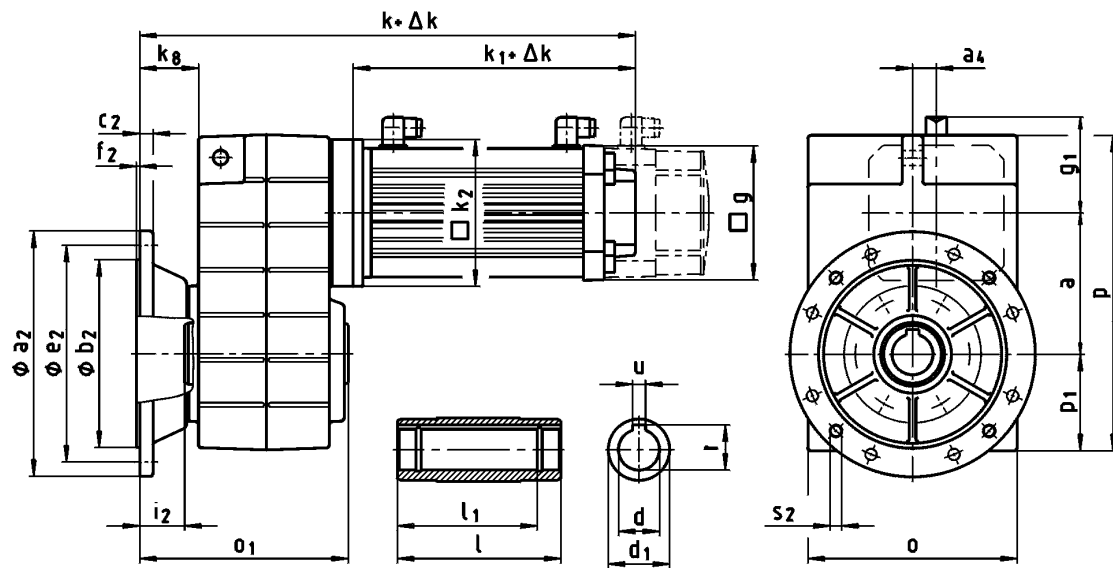
	o	o ₁	p	p ₁	a	a ₄	a ₇	a ₈	c ₆	s ₆	k ₆	k ₇
GFL04...	148	115	214	69	90.5	12.5	22.5	128	14	12.5	32	35
GFL05...	165	140	252	78	112.5	18.5	29	155	16	14	35	38
GFL06...	206	160	315	98	140	22	35	195	20		46	46
GFL07...	256	200	386	118	173	29	44	240	25	18	56	56
GFL09...	318	240	486	149	220	37.5	50	300	32	22	70	70
GFL11...	395	290	600	181	276.5	50	65	375	40	26	84	90
GFL14...	490	350	740	228	339	65	80	455	50	32	100	114

	d	l	d ₁	l ₁	u	t	a ₁	b ₁	e ₁	f ₁	i ₁	s ₁
	H7				JS9	+0,2		H7				
GFL04...	25	115	45	100	8	28.3	110	75	90	3	2.5	M6x12
	30					33.3						
GFL05...	35	140	50	124	10	38.3	118	80	100	4	4	M8x15
	40					43.3						
GFL06...	45	160	65	140	14	48.8	140	100	120	5	5	M10x16
	50					53.8						
GFL07...	55	200	75	175	16	59.3	165	115	140	6	6	M12x18
	60					64.4						
GFL09...	70	240	95	210	20	74.9	205	145	175	7	7	M16x24
	80					85.4						
GFL11...	80	290	105	250	22	85.4	240	140	205	6	6	M20x32
	100					106.4						
GFL14...	100	350	135	305	28	106.4	290	170	250	7	7	M24x35



GFL [mm]

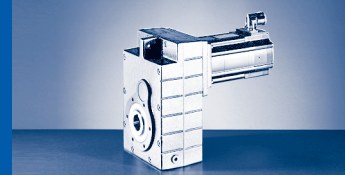
GFL□□-2A (MCA)



GFL□□-2A HCK ... RSO

		10L C40 ...S00	13L C41 ...S00	13L C34 ...F10	14L C20 ...S00	14L C41 ...S00	14L C16 ...F10	14L C35 ...F10	17N C23 ...S00	17N C41 ...S00
GFL04...	k	421	430	498						
GFL05...	k	443	451	519	501		563			
GFL06...	k	465	473	541	523		585		562	
GFL07...	k	511	519	587	569		631		608	
GFL09...	k				608		670		647	
GFL11...	k				649		711		688	
...RSO B0 ¹⁾	Δk	0								
...RSO P□ ¹⁾	Δk	25	35			33				35
	k_1	258	267	335	307		369			346
	k_2	145					180			
	g	102	131			142			165	
	g_1	90	102			109			118	

¹⁾ → 803 - SRS/SRM/ECN/EQN/EQI/S20/T20/CDD



GFL□□-2A HCK ... RSO

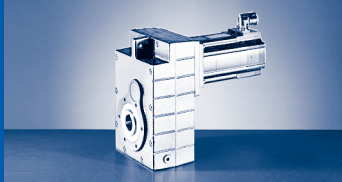
		17N C17 ...F10	17N C35 ...F10	19S C23 ...S00	19S C42 ...S00	19S C17 ...F10	19S C35 ...F10	21X C25 ...S00	21X C42 ...S00	21X C17 ...F10	21X C35 ...F10
GFL06...	k	651									
GFL07...	k	697		677		774		755		851	
GFL09...	k	736		716		813		794		890	
GFL11...	k	777		757		854		835		931	
GFL14...	k			802		899		880		976	
...RSO B0 ¹⁾	Δ k	0									
...RSO P□ ¹⁾	Δ k	35		38				42			
	k ₁	435		408		505		479		575	
	k ₂	180		222				265			
	g	165		192				214			
	g ₁	118		161				172			

¹⁾ →  803 - SRS/SRM/ECN/EQN/EQI/S20/T20/CDD

GFL□□-2A HCK

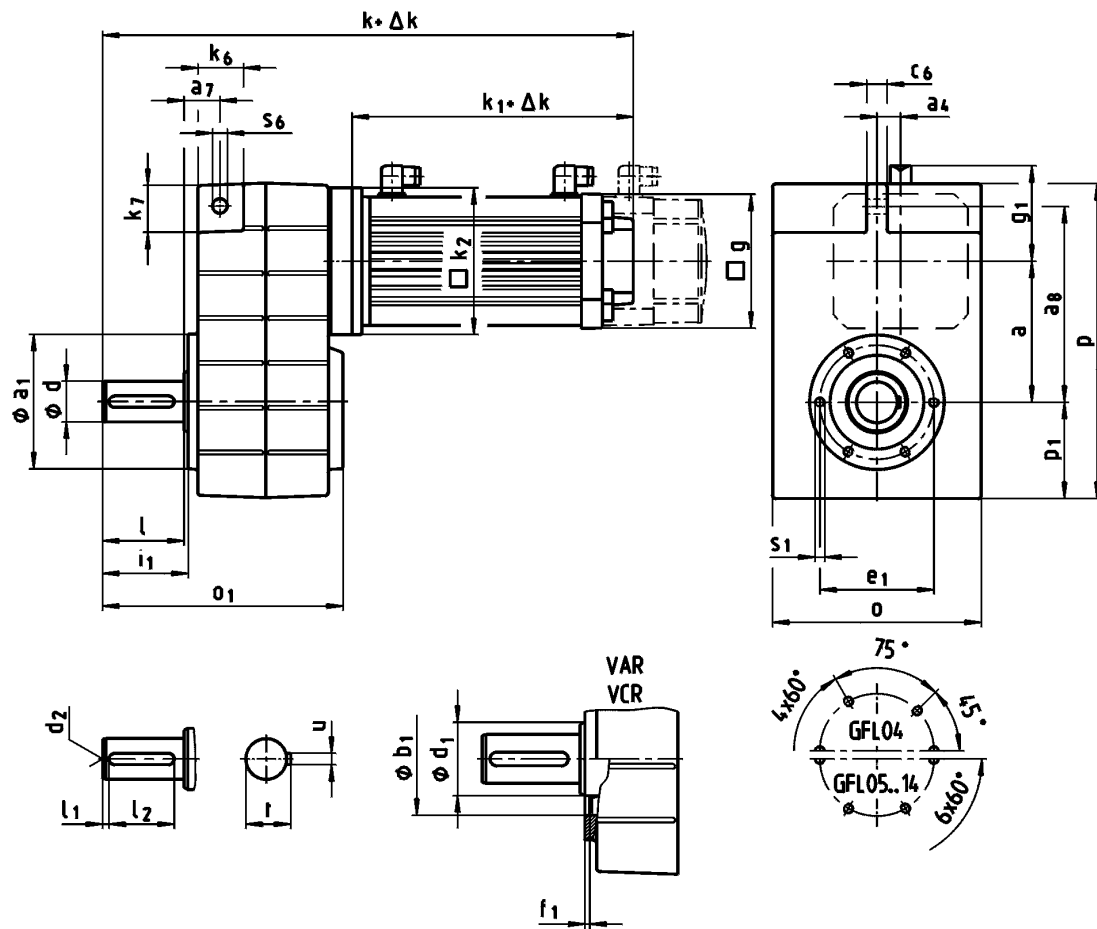
	o	o ₁	p	p ₁	a	a ₄	k ₈
GFL04...	148	148	214	69	90.5	12.5	42
GFL05...	165	173	252	78	112.5	18.5	46
GFL06...	206	201	315	98	140	22	56
GFL07...	256	255	386	118	173	29	73
GFL09...	318	300	486	149	220	37.5	78
GFL11...	395	350	600	181	276.5	50	86
GFL14...	490	410	740	228	339	65	90

	d	l	d ₁	l ₁	u	t	a ₂	b ₂	c ₂	e ₂	f ₂	i ₂	s ₂
	H7				JS9	+0,2		j7					
GFL04...	25	115	45	100	8	28.3	160	110	10	130	3.5	33.5	4 x 9
GFL05...	30					33.3							
	35	140	50	124	10	38.3	200	130	12	165	4	42.5	4 x 11
GFL06...	40					43.3							
	45	160	65	140	14	48.8	250	180	15	215	4	41.5	4 x 14
GFL07...	50					53.8							
	55	200	75	175	16	59.3	300	230	17	265	4	55.5	4 x 17.5
GFL09...	60					64.4							
	70	240	95	210	20	74.9	350	250	18	300	5	60.5	4 x 17.5
GFL11...	80					85.4							
	80	290	105	250	22	85.4	400	300	20	350	5	60.5	8 x 17.5
GFL14...	100					106.4							



GFL [mm]

GFL□□-2A (MCA)



GFL□□-2A V□R ... RSO

		10I C40 ...S00	13I C41 ...S00	13I C34 ...F10	14L C20 ...S00	14L C41 ...S00	14L C16 ...F10	14L C35 ...F10	17N C23 ...S00	17N C41 ...S00
GFL04...	k	438	446	514						
GFL05...	k	469	478	546	528		590			
GFL06...	k	502	511	579	561		623		600	
GFL07...	k	555	564	632	614		676		653	
GFL09...	k				668		730		707	
GFL11...	k				749		811		788	
...RSO B0 ¹⁾	Δk					0				
...RSO P□ ¹⁾	Δk	25	35			33			35	
	k_1	258	267	335	307		369		346	
	k_2		145				180			
	g	102	131			142			165	
	g_1	90	102			109			118	

¹⁾ → 803 - SRS/SRM/ECN/EQN/EQI/S20/T20/CDD



GFL□□-2A V□R ... RSO

		17N C17 ...F10	17N C35 ...F10	19S C23 ...S00	19S C42 ...S00	19S C17 ...F10	19S C35 ...F10	21X C25 ...S00	21X C42 ...S00	21X C17 ...F10	21X C35 ...F10	
GFL06...	k	689										
GFL07...	k	742		721		818		800		896		
GFL09...	k	796		775		872		854		950		
GFL11...	k	877		856		953		935		1031		
GFL14...	k			941		1038		1020		1116		
...RSO B0 ¹⁾	Δ k	0										
...RSO P□ ¹⁾	Δ k	35			38			42				
	k ₁	435		408		505		479		575		
	k ₂	180				222				265		
	g	165				192				214		
	g ₁	118				161				172		

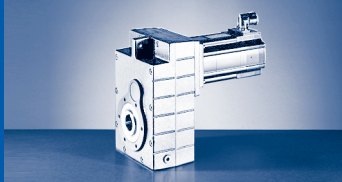
¹⁾ →  803 - SRS/SRM/ECN/EQN/EQI/S20/T20/CDD

GFL□□-2A V□R

	o	o ₁	p	p ₁	a	a ₄	a ₇	a ₈	c ₆	s ₆	k ₆	k ₇
GFL04...	148	163	214	69	90.5	12.5	22.5	128	14	12.5	32	35
GFL05...	165	197	252	78	112.5	18.5	29	155	16	14	35	38
GFL06...	206	236	315	98	140	22	35	195	20		46	46
GFL07...	256	296	386	118	173	29	44	240	25	18	56	56
GFL09...	318	356	486	149	220	37.5	50	300	32	22	70	70
GFL11...	395	445	600	181	276.5	50	65	375	40	26	84	90
GFL14...	490	544	740	228	339	65	80	455	50	32	100	114

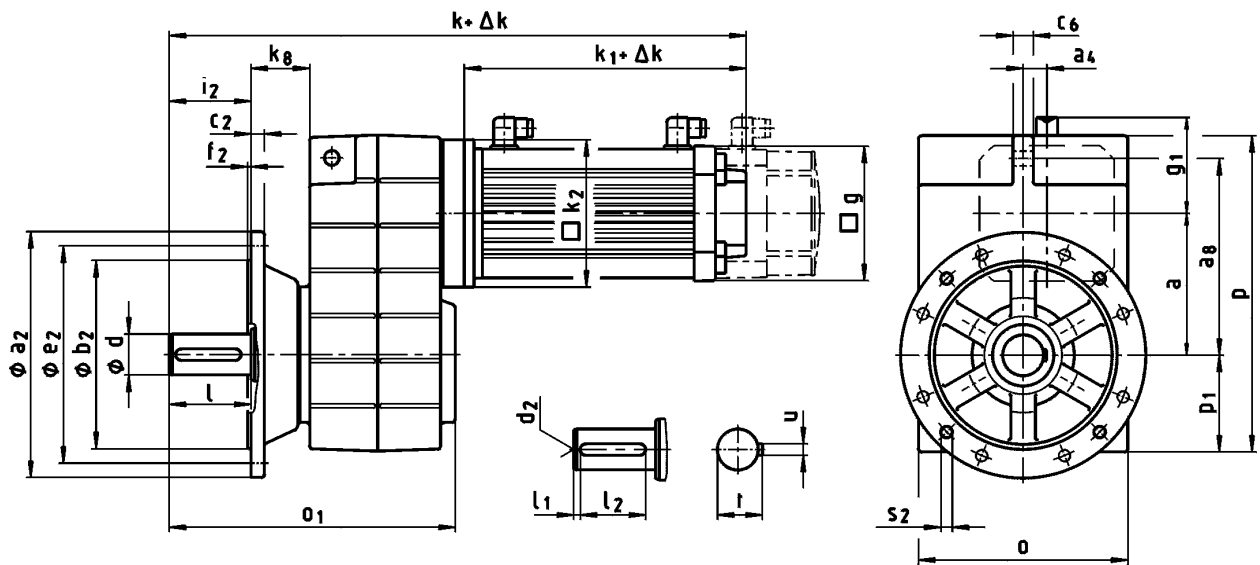
	d	l	d ₁	l ₁	l ₂	d ₂	u	t	a ₁	b ₁	e ₁	f ₁	i ₁	s ₁
GFL04...	25	50	45	4	40	M10	8	28	110	75	90	3	52.5	M6x12
GFL05...	30	60	50	6	45			33	118	80	100		4	64
GFL06...	40	80	65	7	63	M16	12	43	140	100	120	5		85
GFL07...	50	100	75	8	80			14	53.5	165	115		140	6
GFL09...	60	120	95		100	M20	18	64	205	145	175	6	125	
GFL11...	80	160	105	15	125				22	85	240		140	205
GFL14...	100	200	135	18	160	M24	28	106	290	170	250	6	207	M24x35

d ≤ 50 mm: k6; d > 50 mm: m6



GFL [mm]

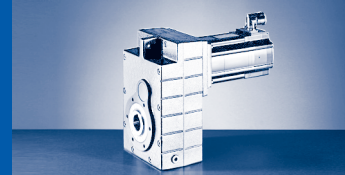
GFL□□-2A (MCA)



GFL□□-2A VCK ... RSO

		10L C40 ...S00	13L C41 ...S00	13L C34 ...F10	14L C20 ...S00	14L C41 ...S00	14L C16 ...F10	14L C35 ...F10	17N C23 ...S00	17N C41 ...S00
GFL04...	k	471	480	548						
GFL05...	k	502	511	579	561		623			
GFL06...	k	543	552	620	602		664		641	
GFL07...	k	610	619	687	669		731		708	
GFL09...	k				728		790		767	
GFL11...	k				809		871		848	
...RSO B0 ¹⁾	Δk					0				
...RSO P□ ¹⁾	Δk	25	35			33			35	
	k_1	258	267	335	307		369		346	
	k_2		145				180			
	g	102	131			142			165	
	g_1	90	102			109			118	

¹⁾ → 803 - SRS/SRM/ECN/EQN/EQI/S20/T20/CDD



GFL□□-2A VCK ... RSO

		17N C17 ...F10	17N C35 ...F10	19S C23 ...S00	19S C42 ...S00	19S C17 ...F10	19S C35 ...F10	21X C25 ...S00	21X C42 ...S00	21X C17 ...F10	21X C35 ...F10
GFL06...	k	730									
GFL07...	k	797		776		873		855		951	
GFL09...	k	856		835		932		914		1010	
GFL11...	k	937		916		1013		995		1091	
GFL14...	k			1001		1098		1080		1176	
...RSO B0 ¹⁾	Δ k	0									
...RSO P□ ¹⁾	Δ k	35		38				42			
	k ₁	435		408		505		479		575	
	k ₂	180		222				265			
	g	165		192				214			
	g ₁	118		161				172			

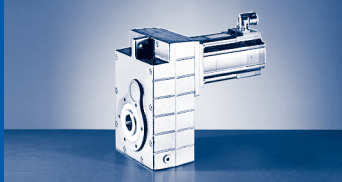
¹⁾ → 803 - SRS/SRM/ECN/EQN/EQI/S20/T20/CDD

GFL□□-2A VCK

	o	o ₁	p	p ₁	a	a ₄	k ₈
GFL04...	148	196	214	69	90.5	12.5	42
GFL05...	165	230	252	78	112.5	18.5	46
GFL06...	206	277	315	98	140	22	56
GFL07...	256	351	386	118	173	29	73
GFL09...	318	416	486	149	220	37.5	78
GFL11...	395	505	600	181	276.5	50	86
GFL14...	490	604	740	228	339	65	90

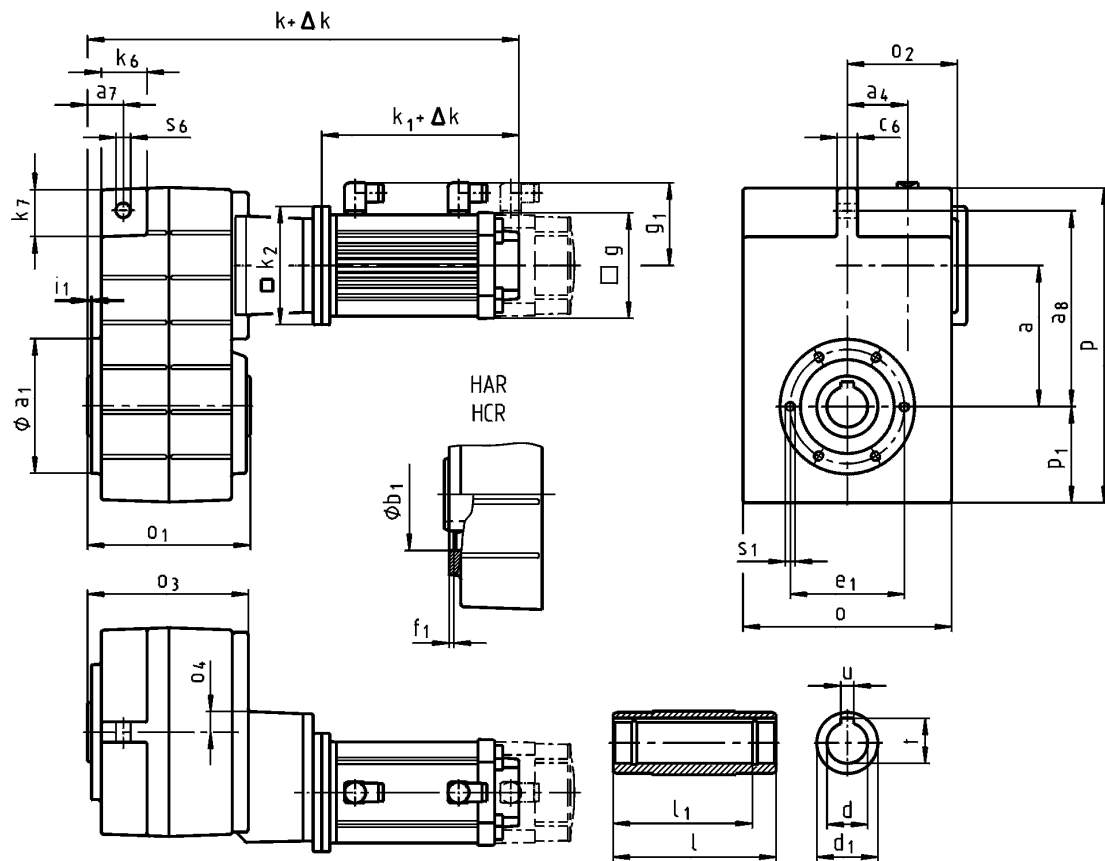
	d	l	l ₁	l ₂	d ₂	u	t	a ₂	b ₂	c ₂	e ₂	f ₂	i ₂	s ₂
									j7					
GFL04...	25	50	4	40	M10	8	28	160	110	10	130	3.5	50	4 x 9
GFL05...	30	60	6	45			33	200	130	12	165		60	4 x 11
GFL06...	40	80	7	63	M16	12	43	250	180	15	215	4	80	4 x 14
GFL07...	50	100	8	80			53.5	300	230	17	265		100	
GFL09...	60	120		100	M20	18	64	350	250	18	300	5	120	4 x 17.5
GFL11...	80	160	15	125			85	400	300	20	350		160	
GFL14...	100	200	18	160	M24	28	106	450	350	22	400		200	8 x 17.5

d ≤ 50 mm: k6; d > 50 mm: m6



GFL [mm]

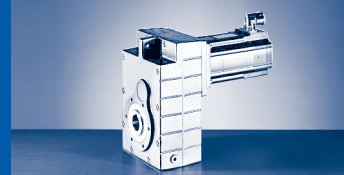
GFL□□-3A (MCA)



GFL□□-3A H□R ... RSO

		10I C40 ...S00	13I C41 ...S00	13I C34 ...F10	14L C20 ...S00	14L C41 ...S00	14L C16 ...F10	14L C35 ...F10	17N C23 ...S00	17N C41 ...S00
GFL05...	k	486	494	562						
GFL06...	k	516	524	592						
GFL07...	k	560	568	636	618		680			
GFL09...	k	612	620	688	670		732		709	
GFL11...	k	672	680	748	730		792		769	
GFL14...	k				809		871		848	
...RSO B0 ¹⁾	Δk	0								
...RSO P□ ¹⁾	Δk	25	35			33			35	
	k_1	258	267	335	307		369		346	
	k_2	145				180				
	g	102	131			142			165	
	g_1	90	102			109			118	

¹⁾ → 803 - SRS/SRM/ECN/EQN/EQI/S20/T20/CDD



GFL□□-3A H□R ... RSO

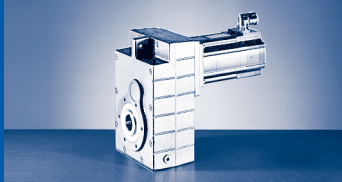
		17N C17 ...F10	17N C35 ...F10	19S C23 ...S00	19S C42 ...S00	19S C17 ...F10	19S C35 ...F10	21X C25 ...S00	21X C42 ...S00	21X C17 ...F10	21X C35 ...F10
GFL09...	k	798									
GFL11...	k	858		838		935		916		1012	
GFL14...	k	937		917		1014		995		1091	
...RSO B0 ¹⁾	Δ k	0									
...RSO P□ ¹⁾	Δ k	35		38				42			
	k ₁	435		408		505		479		575	
	k ₂	180				222				265	
	g	165				192				214	
	g ₁	118				161				172	

¹⁾ →  803 - SRS/SRM/ECN/EQN/EQI/S20/T20/CDD

GFL□□-3A H□R

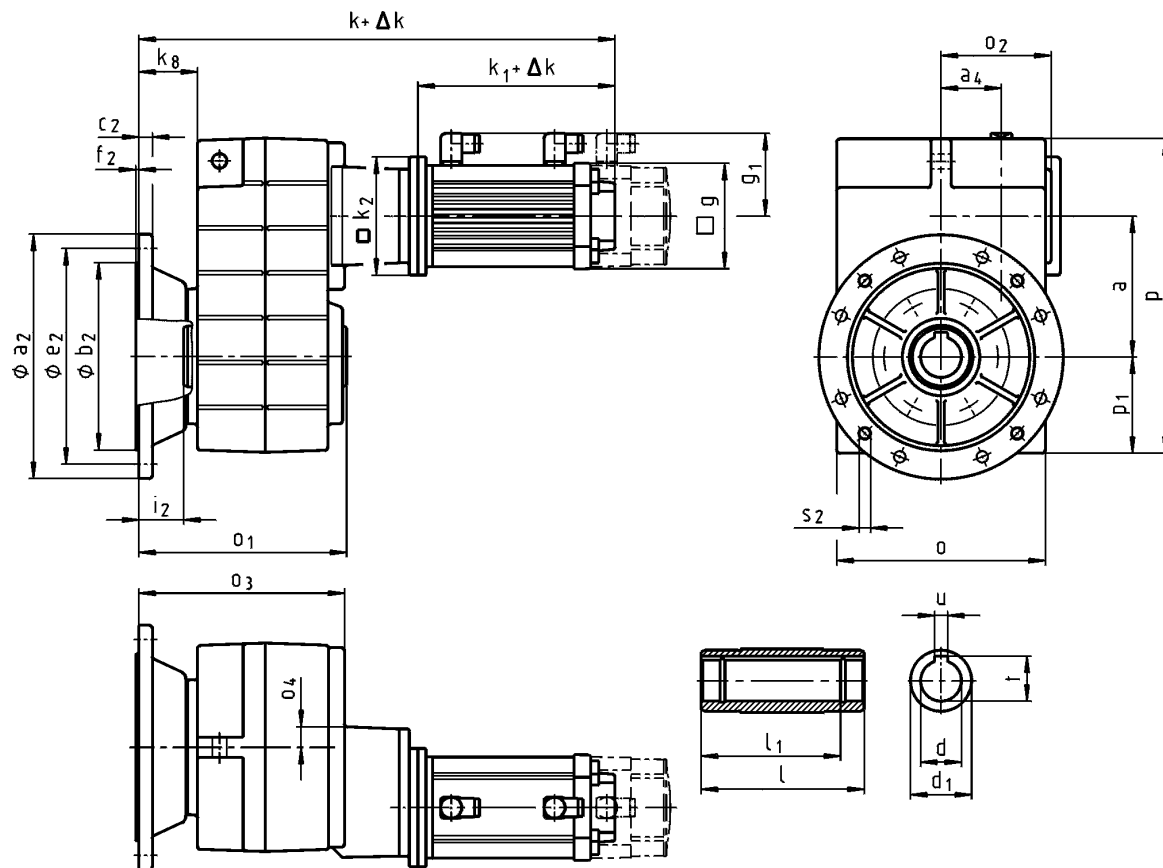
	o	o ₁	o ₂	o ₃	o ₄	p	p ₁	a	a ₄	a ₇	a ₈	c ₆	s ₆	k ₆	k ₇
GFL05...	165	140	107	141	23	252	78	112.5	54.5	29	155	16	14	35	38
GFL06...	206	160	111	160	20	315	98	140	58	35	195	20		46	46
GFL07...	256	200	135	199	24	386	118	173	74	44	240	25	18	56	56
GFL09...	318	240	170	238	27	486	149	220	93.5	50	300	32	22	70	70
GFL11...	395	290	216	285	34	600	181	276.5	120	65	375	40	26	84	90
GFL14...	490	350	271	340	38	740	228	339	154	80	455	50	32	100	114

	d	l	d ₁	l ₁	u	t	a ₁	b ₁	e ₁	f ₁	i ₁	s ₁
	H7				JS9	+0,2		H7				6x60°
GFL05...	30	140	50	124	8	33.3	118	80	100	4	4	M8x15
	35				10	38.3						
GFL06...	40	160	65	140	12	43.3	140	100	120	5	5	M10x16
	45				14	48.8						
GFL07...	50	200	75	175	16	53.8	165	115	140	6	6	M12x18
	55				18	64.4						
GFL09...	60	240	95	210	20	74.9	205	145	175	7	7	M16x24
	70				22	85.4						
GFL11...	80	290	105	250	28	106.4	240	140	205	8	8	M20x32
	80				28	106.4						
GFL14...	100	350	135	305	28	106.4	290	170	250	9	9	M24x35



GFL [mm]

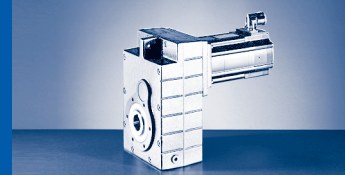
GFL□□-3A (MCA)



GFL□□-3A HCK ... RSO

		10I C40 ...S00	13I C41 ...S00	13I C34 ...F10	14L C20 ...S00	14L C41 ...S00	14L C16 ...F10	14L C35 ...F10	17N C23 ...S00	17N C41 ...S00
GFL05...	k	519	528	596						
GFL06...	k	558	567	635						
GFL07...	k	615	624	692	674		736			
GFL09...	k	672	681	749	731		793		770	
GFL11...	k	732	741	809	791		853		830	
GFL14...	k				870		932		909	
...RSO B0 ¹⁾	Δk					0				
...RSO P□ ¹⁾	Δk	25	35			33			35	
	k_1	258	267	335	307		369		346	
	k_2		145				180			
	g	102	131			142			165	
	g_1	90	102			109			118	

¹⁾ → 803 - SRS/SRM/ECN/EQN/EQI/S20/T20/CDD



GFL□□-3A HCK ... RSO

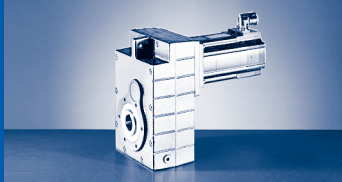
		17N C17 ...F10	17N C35 ...F10	19S C23 ...S00	19S C42 ...S00	19S C17 ...F10	19S C35 ...F10	21X C25 ...S00	21X C42 ...S00	21X C17 ...F10	21X C35 ...F10
GFL09...	k	859									
GFL11...	k	919		898		995		977		1073	
GFL14...	k	998		977		1074		1056		1152	
...RSO B0 ¹⁾	Δ k	0									
...RSO P□ ¹⁾	Δ k	35		38				42			
	k ₁	435		408		505		479		575	
	k ₂	180				222				265	
	g	165				192				214	
	g ₁	118				161				172	

¹⁾ → 803 - SRS/SRM/ECN/EQN/EQI/S20/T20/CDD

GFL□□-3A HCK

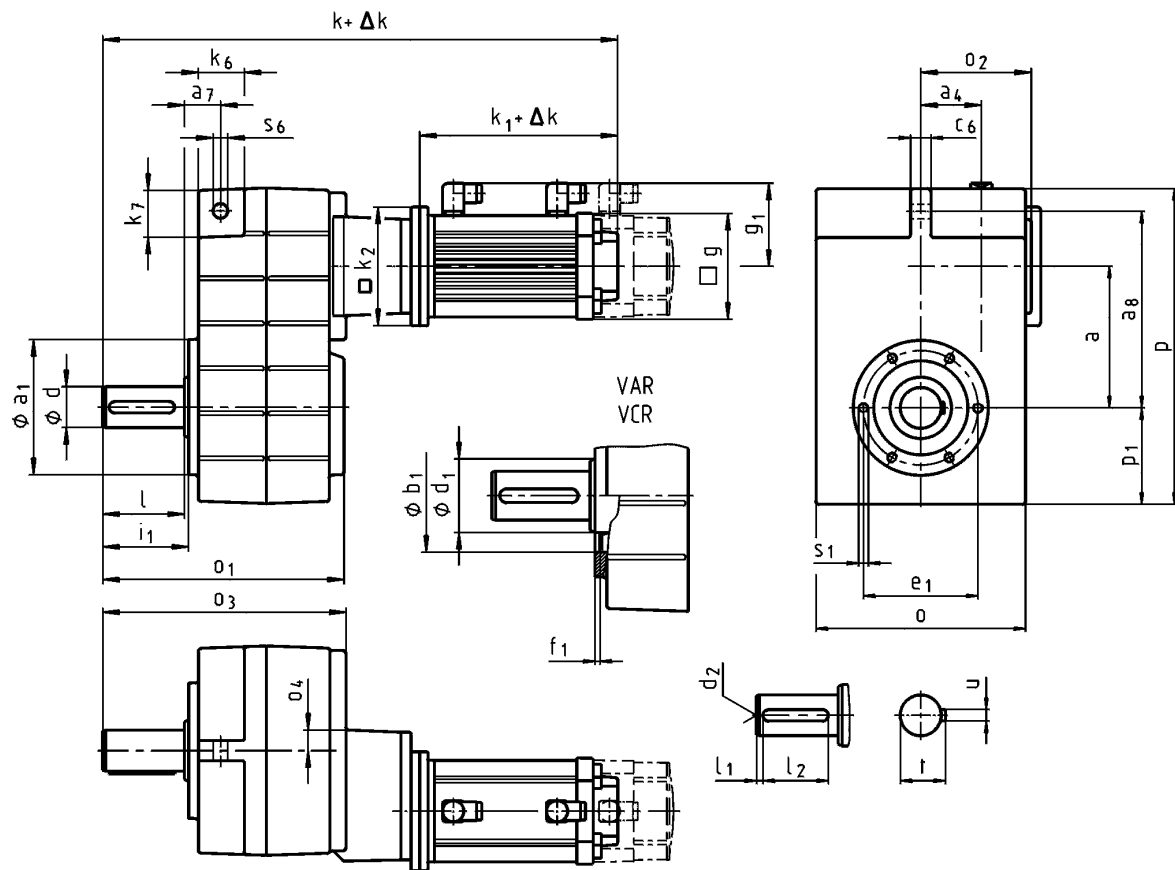
	o	o ₁	o ₂	o ₃	o ₄	p	p ₁	a	a ₄	k _g
GFL05...	165	173	107	174	23	252	78	112.5	54.5	46
GFL06...	206	201	111	201	20	315	98	140	58	56
GFL07...	256	255	135	254	24	386	118	173	74	73
GFL09...	318	300	170	298	27	486	149	220	93.5	78
GFL11...	395	350	216	345	34	600	181	276.5	120	86
GFL14...	490	410	271	400	38	740	228	339	154	90

	d	l	d ₁	l ₁	u	t	a ₂	b ₂	c ₂	e ₂	f ₂	i ₂	s ₂
	H7				JS9	+0,2		j7					
GFL05...	30	140	50	124	8	33.3	200	130	12	165	3.5	33.5	4 x 11
	35				10	38.3							
GFL06...	40	160	65	140	12	43.3	250	180	15	215	4	42.5	4 x 14
	45				14	48.8							
GFL07...	50	200	75	175	16	53.8	300	230	17	265	4	55.5	4 x 17.5
	55				18	64.4							
GFL09...	60	240	95	210	20	74.9	350	250	18	300	5	60.5	4 x 17.5
GFL11...	70				22	85.4	400	300	20	350			
	GFL14...	80	290	105	250	28	106.4	450	350	22	400	5	8 x 17.5



GFL [mm]

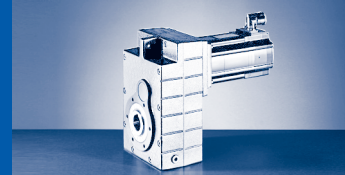
GFL□□-3A (MCA)



GFL□□-3A V□R ... RSO


		10I C40 ...S00	13I C41 ...S00	13I C34 ...F10	14L C20 ...S00	14L C41 ...S00	14L C16 ...F10	14L C35 ...F10	17N C23 ...S00	17N C41 ...S00
GFL05...	k	546	554	622						
GFL06...	k	596	604	672						
GFL07...	k	660	668	736	718		780			
GFL09...	k	732	740	808	790		852		829	
GFL11...	k	832	840	908	890		952		929	
GFL14...	k				1009		1071		1048	
...RSO B0 ¹⁾	Δk				0					
...RSO P□ ¹⁾	Δk	25	35			33			35	
	k_1	258	267	335	307		369		346	
	k_2		145				180			
	g	102	131			142			165	
	g_1	90	102			109			118	

¹⁾ → 803 - SRS/SRM/ECN/EQN/EQI/S20/T20/CDD



GFL□□-3A V□R ... RSO

		17N C17 ...F10	17N C35 ...F10	19S C23 ...S00	19S C42 ...S00	19S C17 ...F10	19S C35 ...F10	21X C25 ...S00	21X C42 ...S00	21X C17 ...F10	21X C35 ...F10
GFL09...	k	918									
GFL11...	k	1018		998		1095		1076		1172	
GFL14...	k	1137		1117		1214		1195		1291	
...RSO B0 ¹⁾	Δ k	0									
...RSO P□ ¹⁾	Δ k	35		38				42			
	k ₁	435		408		505		479		575	
	k ₂	180				222				265	
	g	165				192				214	
	g ₁	118				161				172	

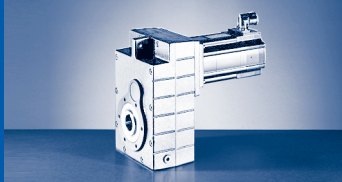
¹⁾ →  803 - SRS/SRM/ECN/EQN/EQI/S20/T20/CDD

GFL□□-3A V□R

	o	o ₁	o ₂	o ₃	o ₄	p	p ₁	a	a ₄	a ₇	a ₈	c ₆	s ₆	k ₆	k ₇
GFL05...	165	197	107	201	23	252	78	112.5	54.5	29	155	16	14	35	38
GFL06...	206	236	111	240	20	315	98	140	58	35	195	20		46	46
GFL07...	256	296	135	299	24	386	118	173	74	44	240	25	18	56	56
GFL09...	318	356	170	358	27	486	149	220	93.5	50	300	32	22	70	70
GFL11...	395	445	216	445	34	600	181	276.5	120	65	375	40	26	84	90
GFL14...	490	544	271	540	38	740	228	339	154	80	455	50	32	100	114

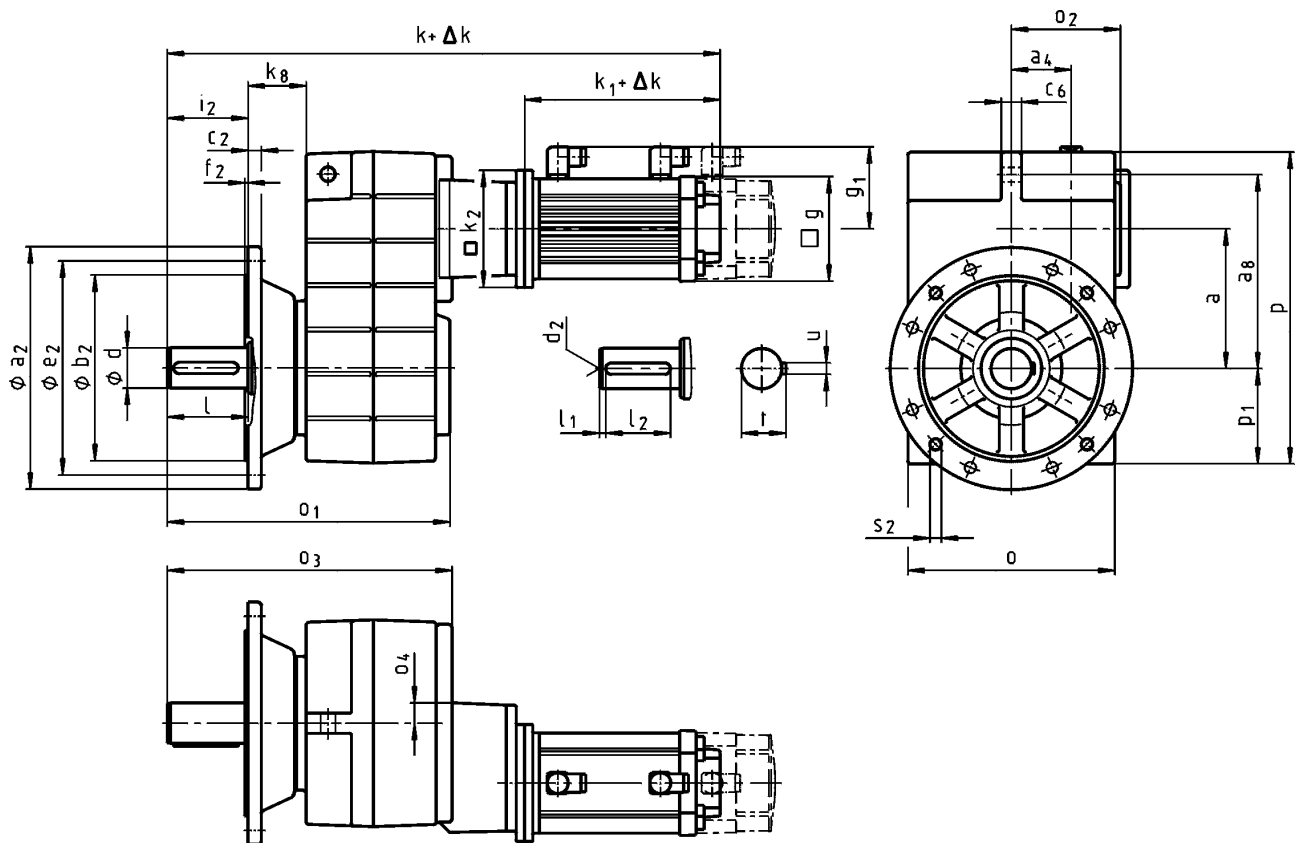
	d	l	d ₁	l ₁	l ₂	d ₂	u	t	a ₁	b ₁	e ₁	f ₁	i ₁	s ₁
										H7				6x60°
GFL05...	30	60	50	6	45	M10	8	33	118	80	100	4	64	M8x15
GFL06...	40	80	65	7	63	M16	12	43	140	100	120		85	M10x16
GFL07...	50	100	75	8	80		14	53.5	165	115	140	5	105	M12x18
GFL09...	60	120	95		100	M20	18	64	205	145	175		125	M16x24
GFL11...	80	160	105	15	125		22	85	240	140	205	6	166	M20x32
GFL14...	100	200	135	18	160	M24	28	106	290	170	250		207	M24x35

d ≤ 50 mm: k6; d > 50 mm: m6



GFL [mm]

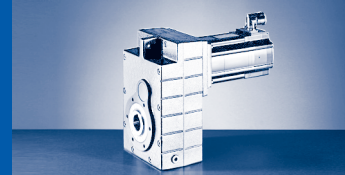
GFL□□-3A (MCA)



GFL□□-3A VCK ... RSO

		10I C40 ...S00	13I C41 ...S00	13I C34 ...F10	14L C20 ...S00	14L C41 ...S00	14L C16 ...F10	14L C35 ...F10	17N C23 ...S00	17N C41 ...S00
GFL05...	k	579	588	656						
GFL06...	k	637	646	714						
GFL07...	k	715	724	792	774		836			
GFL09...	k	792	801	869	851		913		890	
GFL11...	k	892	901	969	951		1013		990	
GFL14...	k				1070		1132		1109	
...RSO B0 ¹⁾	Δk					0				
...RSO P□ ¹⁾	Δk	25	35			33			35	
	k_1	258	267	335	307		369		346	
	k_2		145				180			
	g	102	131			142			165	
	g ₁	90	102			109			118	

¹⁾ → 803 - SRS/SRM/ECN/EQN/EQI/S20/T20/CDD



GFL□□-3A VCK ... RSO

		17N C17 ...F10	17N C35 ...F10	19S C23 ...S00	19S C42 ...S00	19S C17 ...F10	19S C35 ...F10	21X C25 ...S00	21X C42 ...S00	21X C17 ...F10	21X C35 ...F10
GFL09...	k	979									
GFL11...	k	1079		1058		1155		1137		1233	
GFL14...	k	1198		1177		1274		1256		1352	
...RSO B0 ¹⁾	Δ k	0									
...RSO P□ ¹⁾	Δ k	35		38				42			
	k ₁	435		408		505		479		575	
	k ₂	180				222				265	
	g	165				192				214	
	g ₁	118				161				172	

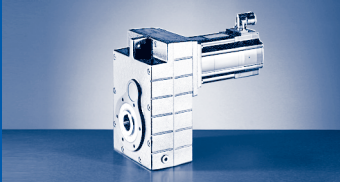
¹⁾ →  803 - SRS/SRM/ECN/EQN/EQI/S20/T20/CDD

GFL□□-3A VCK

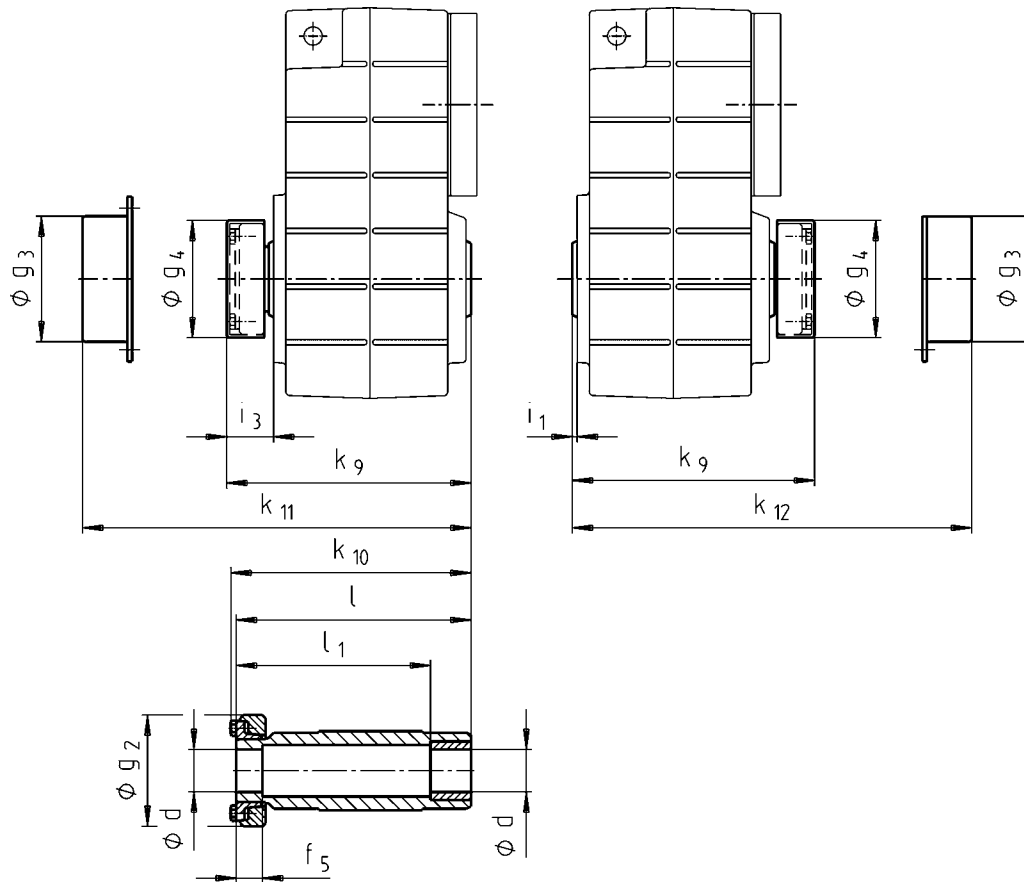
	o	o ₁	o ₂	o ₃	o ₄	p	p ₁	a	a ₄	k ₈
GFL05...	165	230	107	234	23	252	78	112.5	54.5	46
GFL06...	206	277	111	281	20	315	98	140	58	56
GFL07...	256	351	135	354	24	386	118	173	74	73
GFL09...	318	416	170	418	27	486	149	220	93.5	78
GFL11...	395	505	216	505	34	600	181	276.5	120	86
GFL14...	490	604	271	600	38	740	228	339	154	90

	d	l	l ₁	l ₂	d ₂	u	t	a ₂	b ₂	c ₂	e ₂	f ₂	i ₂	s ₂
GFL05...	30	60	6	45	M10	8	33	200	130	12	165	3.5	60	4 x 11
GFL06...	40	80	7	63	M16	12	43	250	180	15	215	4	80	4 x 14
GFL07...	50	100	8	80		14	53.5						300	
GFL09...	60	120		100	M20	18	64	350	250	18	300		5	120
GFL11...	80	160	15	125		22	85	400	300	20	350	160		
GFL14...	100	200	18	160	M24	28	106	450	350	22	400	200		8 x 17.5

d ≤ 50 mm: k6; d > 50 mm: m6



Hollow shaft with shrink disc



	Machine shaft	Hollow shaft with shrink disc						Protective cap			Cover		
	d	i_1	k_{10}	g_2	l	l_1	f_5	i_3	k_9	g_4	k_{11}	k_{12}	g_3
	h6												
GFL04...	25 30	2.5	148	72	142	122	26	37	150	76	154	154	79
GFL05...	35	4	174	80	168	148	28	39.5	176	84	179	180	90
GFL06...	40	5	200	90	194	164	30	46.5	202	94	204	205	100
GFL07...	50		238	110	232	192	26	45.5	241	116	244	245	124
GFL09...	65		285	141	278	228	30	53	288	147	287	288	159
GFL11...	80	6	344	170	338	238	42	63	347	176	349	350	191
GFL14...	100	7	415	215	407	307	55	75	418	221	421	422	253

- ▶ Ensure that the strength of the shaft material is adequate in shrink disc designs.

When using typical steels (e.g. C45, 42CrMo4), the torques listed in the selection tables can be used without restriction. When using material that is considerably weaker, please consult us. Medium surface roughness R_z must not exceed $15 \mu\text{m}$ (turning operation is sufficient).



Possible combinations with shrink disc in position 1 (drive end)

GFL□□-2S with motor frame size

	06C C41	06F C41	06I C41	09D C41	09F C38	09H C41	09L C41	12D C20	12D C41	12H C15	12H C30	12H C35	12L C20	12L C41
GFL04...	● 1)	● 1)	● 1)	● 1)	● 1)	● 1)	● 1)							
GFL05...	● 1)	● 1)	● 1)	● 1)	● 1)	● 1)	● 1)							
GFL06...	●	●	●	●	●	●	●	●	●	●	●	●	●	●
GFL07...				●	●	●	●	●	●	●	●	●	●	●
GFL09...								●	●	●	●	●	●	●

	14D C15	14D C36	14H C15	14H C32	14L C15	14L C32	14P C14	14P C32	19F C14	19F C30	19J C14	19J C30	19P C14	19P C30
GFL06...	●	●	●	●	●	●	●	●						
GFL07...	●	●	●	●	●	●	●	●	●	●	●	●	●	●
GFL09...	●	●	●	●	●	●	●	●	●	●	●	●	●	●
GFL11...	●	●	●	●	●	●	●	●	●	●	●	●	●	●
GFL14...									●	●	●	●	●	●

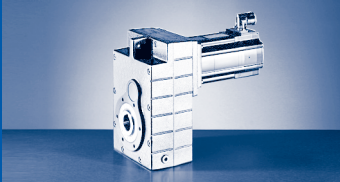
GFL□□-2A with motor frame size

	10I C40 ...S00	13I C41 ...S00	13I C34 ...F10	14L C20 ...S00	14L C41 ...S00	14L C16 ...F10	14L C35 ...F10	17N C23 ...S00	17N C41 ...S00
GFL06...	●	●	●	● 1)	● 1)	● 1)	● 1)	● 1)	● 1)
GFL07...	●	●	●	●	●	●	●	●	●
GFL09...				●	●	●	●	●	●
GFL11...				●	●	●	●	●	●

	17N C17 ...F10	17N C35 ...F10	19S C23 ...S00	19S C42 ...S00	19S C17 ...F10	19S C35 ...F10	21X C25 ...S00	21X C42 ...S00	21X C17 ...F10	21X C35 ...F10
GFL06...	● 1)	● 1)								
GFL07...	●	●	● 1)	● 1)	● 1)	● 1)				
GFL09...	●	●	●	●	●	●	●	●	●	●
GFL11...	●	●	●	●	●	●	●	●	●	●
GFL14...			●	●	●	●	●	●	●	●

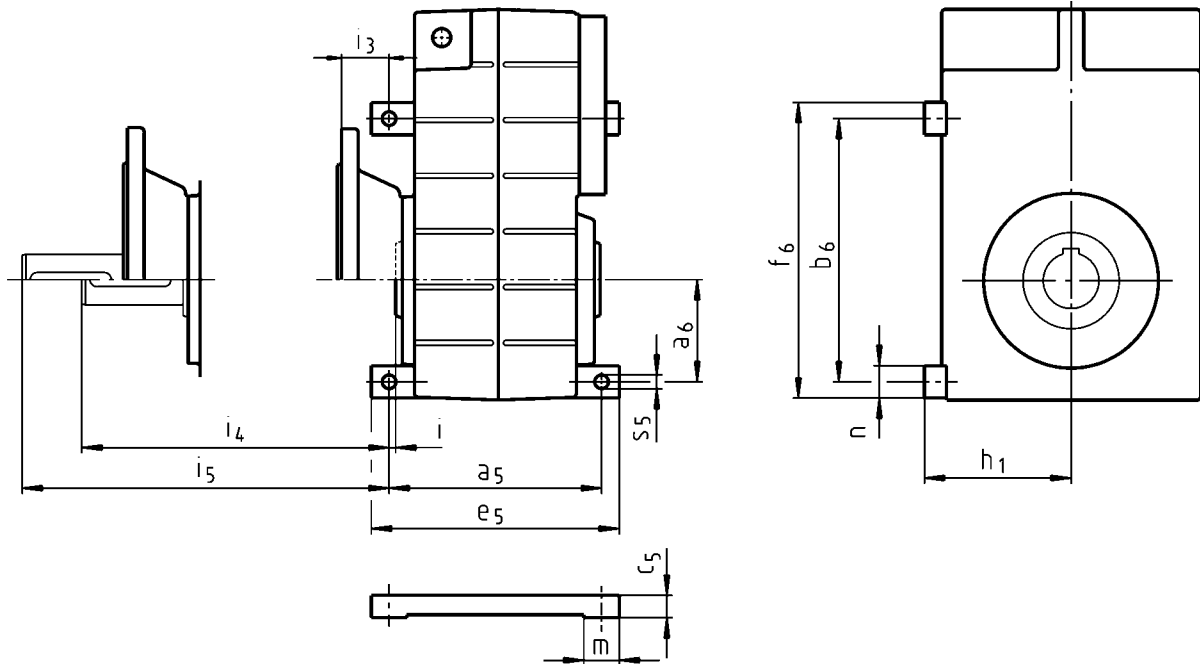
1) Only possible without cover.

- ▶ GFL□□-2S: Terminal box in position 4 on request only.
- GFL□□-2A: Connector/terminal box in position 4 not possible.
- GFL□□-3□: All versions are possible.



GFL & [mm]

Foot mounting in position 3

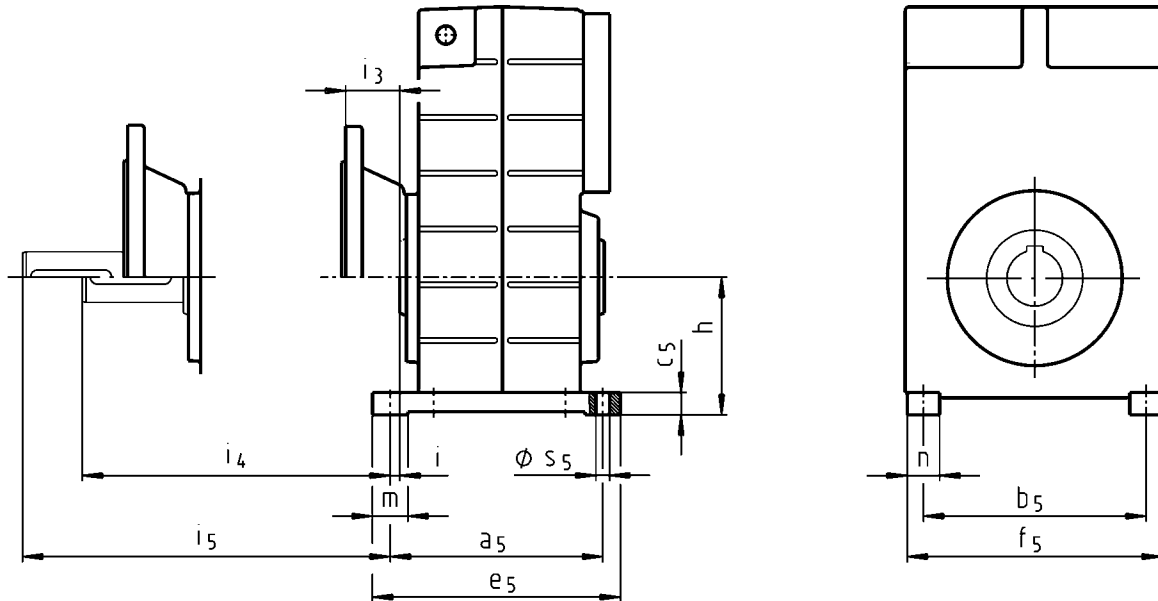


			HAR HBR SAR SBR	HAK SAK	VAR VBR	VAK								
	a ₆	h ₁	i	i ₃	i ₄	i ₅	a ₅	b ₆	c ₅	e ₅	f ₆	n	m	s ₅
GFL04...	47	90	4.5	28.5	45.5	78.5	130	115	18	152	140	25	22	6.6
GFL05...	65	100	2	31	58	91	160	167	21	185	192		25	9
GFL06...	80	125		3	39	78	119	175	205	27	205	233	28	30
GFL07...	100	155	52		97	152	220	260	31	255	292	32	35	13.5
GFL09...	125	190	117		177	260	335	36	300	375	40	40	17.5	
GFL11...	155	240	57		157	217	315	435	48	365	485	50	50	22
GFL14...	200	295	197		257	375	540	57	430	600	60	55	26	

► Terminal box position 3 is not possible for GFL04...06-2A.

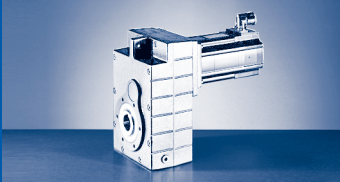


Foot mounting in position 4



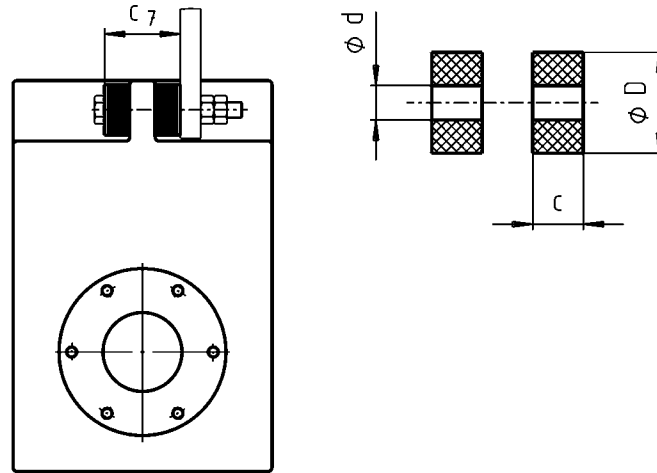
		HAR HBR SAR SBR	HAK SAK	VAR VBR	VAK								
	h	i	i ₃	i ₄	i ₅	a ₅	b ₅	c ₅	e ₅	f ₅	n	m	s ₅
GFL04...	85	4.5	28.5	45.5	78.5	130	108	18	152	133	25	22	6.6
GFL05...	95	2	31	58	91	160	140	21	185	165		25	9
GFL06...	120		39	78	119	175	175	27	205	203	28	30	11
GFL07...	145	3	52	97	152	220	220	31	255	252	32	35	13.5
GFL09...	180		117	177	260	275	36	300	315	40	40	17.5	
GFL11...	224		57	157	217	315	340	48	365	390	50	50	22
GFL14...	278		197	257	375	425	57	430	485	60	55	26	

► In mounting positions E and F, the oil check bore hole/oil-sight glass are located between the feet in position 4!

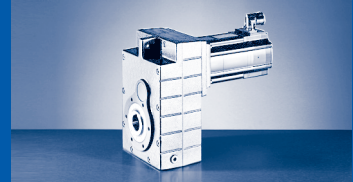


GFL & [mm]

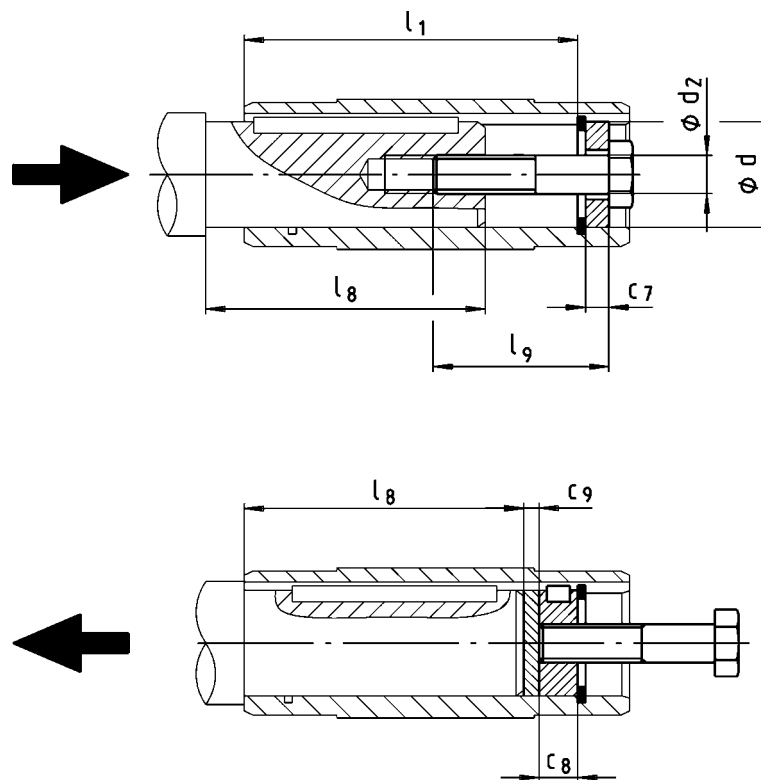
Rubber buffer for torque plate



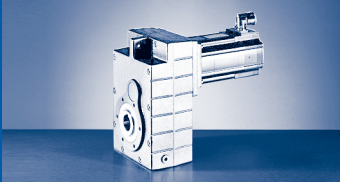
	d	D	c	c ₇
GFL04...	11	30	14.5	43
GFL05...				45
GFL06...	13	40	15	50
GFL07...	17	50	27	79
GFL09...	21	60	28	88
GFL11...	26	72	29	98
GFL14...	33	92	30	110



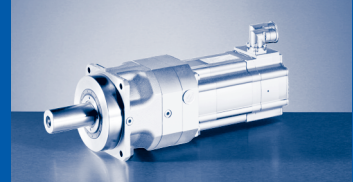
**Mounting set for hollow shaft circlip
Proposed design for auxiliary tools**



	Hollow shaft		Hollow shaft circlip mounting set (Assembly auxiliaries)			Auxiliary tools Disassembly		Machine shaft
	d	l ₁	d ₂	l ₉	c ₇	c ₈	c ₉	max l ₈
	H7							
GFL04...	25	100	M10	40	5	10	3	85
GFL05...	30				6			
	35	124	M12	50	7	12	4	107
GFL06...	40				8			
	45	140	M16	60	9	16	5	118
GFL07...	50				10			
	55	175	M20	80	11	20	6	148
GFL09...	60				13			
	70	210	M20	80	14	20	6	182
GFL11...	80				16			
GFL14...	100	305	M24	100	20	24	8	221
								270



GFL & [mm]



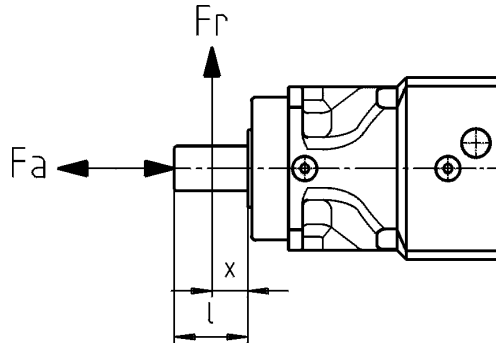
Permissible radial force

$$Fr_{zul} = Fr_{Tab} \text{ at } Fa = 0$$

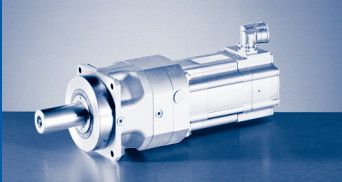
Permissible axial force

$$Fa_{zul} = Fa_{Tab} \text{ at } Fr = 0$$

At Fr and $Fa \neq 0$ please contact your Lenze sales office



Solid shaft with flange (GCN) Application of force Fr : centre of shaft journal ($x = l/2$) Fa_{Tab} only valid for $Fr = 0$												
	GPA00-1/2		GPA01-1/2		GPA02-1/2		GPA03-1/2		GPA04-1/2		GPA05-1/2	
n_2 [r/min]	Fr_{Tab} [N]	Fa_{Tab} [N]	Fr_{Tab} [N]	Fa_{Tab} [N]	Fr_{Tab} [N]	Fa_{Tab} [N]	Fr_{Tab} [N]	Fa_{Tab} [N]	Fr_{Tab} [N]	Fa_{Tab} [N]	Fr_{Tab} [N]	Fa_{Tab} [N]
1000	1550	2300	2325	3200	3700	5400	4950	9400	7170	13500	11390	22500
900	1600		2400		3825		5125		7400		11750	
800	1675		2475		3950		5300		7670		12180	
700	1725		2600		4125		5525		7980		12680	
600	1825		2700		4325		5775		8360		13280	
500	1925		2850		4550		6100		8830		14020	
400	2050		3050		4875		6525		9450		15000	
300	2250		3350		5300		7100		10300		16350	
200	2525		3775		6000		8025		11630		18000	
≤ 100	2600		3800		6000		9000		14000		18000	
Fr_{max}												



Backlash

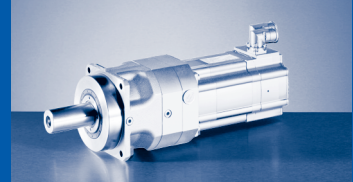
Gearbox type	Standard backlash (measured at 2% of gearbox output torque)
	[arcmin]
GPA00-1	Max. 6
GPA01-1	
GPA02-1	
GPA03-1	
GPA04-1	
GPA05-1	

Gearbox type	Standard backlash (measured at 2% of gearbox output torque)
	[arcmin]
GPA00-2	Max. 8
GPA01-2	
GPA02-2	
GPA03-2	
GPA04-2	
GPA05-2	

Torsional stiffness

Gearbox type	Torsional stiffness
	[Nm/arcmin]
GPA00-1	3
GPA01-1	8.8
GPA02-1	23
GPA03-1	47
GPA04-1	145
GPA05-1	225

Gearbox type	Torsional stiffness
	[Nm/arcmin]
GPA00-2	2.8
GPA01-2	8
GPA02-2	20
GPA03-2	42
GPA04-2	125
GPA05-2	195



GPA□□-1S GCN...RSO B0

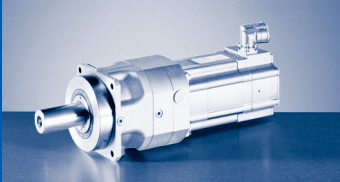
	06C N41	06F N41	06I N41	09D N41	09F N38	09H N41	09L N41	12D N20	12D N41	12H N15	12H N30	12H N35	12L N20	12L N41	
GPA00...	4		5	6	7	8	10								
GPA01...	5	6		8	9	10	11	10		13				16	
GPA02...				11	12	13	14	13		16				19	
GPA03...								21		24				27	
	14D N15	14D N36	14H N15	14H N32	14L N15	14L N32	14P N14	14P N32	19F N14	19F N30	19J N14	19J N30	19P N14	19P N30	
GPA02...	17		22		27		31								
GPA03...	25		30		34		39		37		44		54		
GPA04...										53		60		70	
GPA05...										68		75		85	

GPA□□-2S GCN...RSO B0

	06C N41	06F N41	06I N41	09D N41	09F N38	09H N41	09L N41	12D N20	12D N41	12H N15	12H N30	12H N35	12L N20	12L N41	
GPA00...	5		6												
GPA01...	6	7		9	10	11	12								
GPA02...				13	14	15	17	15		18				21	
GPA03...								26		30				33	
	14D N15	14D N36	14H N15	14H N32	14L N15	14L N32	14P N14	14P N32	19F N14	19F N30	19J N14	19J N30	19P N14	19P N30	
GPA03...	31		36		40		45								
GPA04...										62		69		79	
GPA05...										90		97		107	

Note additional weights.

Weights in [kg] with oil capacity for mounting position A, all given as approximate values



GPA [kg]

GPA□□-1A GCN...RSO B0

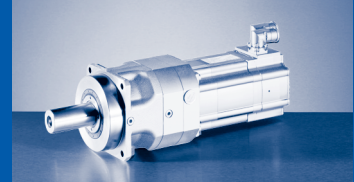
	10I N40 ...S00	13I N41 ...S00	13I N34 ...F10	14L N20 ...S00	14L N41 ...S00	14L N16 ...F10	14L N35 ...F10	17N N23 ...S00	17N N41 ...S00	
GPA00...	9									
GPA01...	10	14	15							
GPA02...	13	17	19	22		24		29		
GPA03...		26	27	30		32		38		
	17N N17 ...F10	17N N35 ...F10	19S N23 ...S00	19S N42 ...S00	19S N17 ...F10	19S N35 ...F10	21X N25 ...S00	21X N42 ...S00	21X N17 ...F10	21X N35 ...F10
GPA01...										
GPA02...	32									
GPA03...	41		60		63		75		79	
GPA04...			75		78		90		94	
GPA05...			90		94		105		109	

GPA□□-2A GCN...RSO B0

	10I N40 ...S00	13I N41 ...S00	13I N34 ...F10	14L N20 ...S00	14L N41 ...S00	14L N16 ...F10	14L N35 ...F10	17N N23 ...S00	17N N41 ...S00	
GPA00...	9									
GPA01...	11	15	16							
GPA02...		19	21	24		26		32		
GPA03...										
	17N N17 ...F10	17N N35 ...F10	19S N23 ...S00	19S N42 ...S00	19S N17 ...F10	19S N35 ...F10	21X N25 ...S00	21X N42 ...S00	21X N17 ...F10	21X N35 ...F10
GPA02...	34									
GPA03...			65		68					
GPA04...			84		88		99		103	
GPA05...			111		115		126		130	

Note additional weights.

Weights in [kg] with oil capacity for mounting position A, all given as approximate values



Additional weights MCS servo motors

	06C N41	06F N41	06I N41	09D N41	09F N38	09H N41	09L N41	12D N20	12D N41	12H N15	12H N30	12H N35	12L N20	12L N41
...P1	0.3			0.8				0.9						
...P2				0.5				1.2						
...SCS/SCM/SRM/SRS ...ECN/EQN	0.4			0.2				0.3						

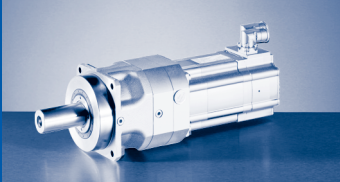
	14D N15	14D N36	14H N15	14H N32	14L N15	14L N32	14P N14	14P N32	19F N14	19F N30	19J N14	19J N30	19P N14	19P N30
...P1	1.9						1.5							
...P2	3.1									4.3				
...SCS/SCM/SRM/SRS ...ECN/EQN							0.3							

Additional weights MCA servo motors

	10I N40 ...S00	13I N41 ...S00	13I N34 ...F10	14L N20 ...S00	14L N41 ...S00	14L N16 ...F10	14L N35 ...F10	17N N23 ...S00	17N N41 ...S00
...P1/P5								2.4	
...P2/P6	0.8	1.4		1.5					
...CDD ...ECN/EQN/EQI ...SCS/SCM/SRM/SRS/S20 ...T20	0.3	0.5		0.6				0.7	

	17N N17 ...F10	17N N35 ...F10	19S N23 ...S00	19S N42 ...S00	19S N17 ...F10	19S N35 ...F10	21X N25 ...S00	21X N42 ...S00	21X N17 ...F10	21X N35 ...F10
...P1/P5	2.4		4.8				5.0			
...P2/P6										
...CDD ...ECN/EQN/EQI ...SCS/SCM/SRM/SRS/S20 ...T20	0.7		1.0				1.1			

Weights in [kg]



GPA [Nm]

GPA□□-□S (MCS)

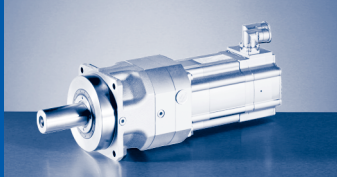
$M_{2GN} \leq 25 \text{ Nm}$

GPA00-1S				06CN41	06FN41	06IN41	09FN38	09HN41
				...500	...500	...500	...500	...500
i	M_{2GN}	J_G	M_1	0.60	1.20	1.50	3.10	3.80
			n_1	4050	4050	4050	3750	4050
			I_{M230}	2.6	2.9	3.2	5.0	6.8
			I_{M400}	1.3	1.5	1.6	2.5	3.4
			P_N	0.25	0.51	0.64	1.20	1.60
			J_M	0.17	0.25	0.33	1.53	1.93
3.000	20	0.22	M_2		4	4		
			c		5.8	4.6		
			$n_{2 \text{ Eck}}$		1350	1350		
			$n_{2 \text{ th}}$		867	867		
4.000	25	0.16	M_2		5	6	12	15
			c		5.4	4.4	2.1	1.7
			$n_{2 \text{ Eck}}$		1013	1013	938	1013
			$n_{2 \text{ th}}$		825	825	825	825
5.000	25	0.13	M_2		6	7	15	19
			c		4.3	3.5	1.7	1.4
			$n_{2 \text{ Eck}}$		810	810	750	810
			$n_{2 \text{ th}}$		660	660	660	660
7.000	25	0.12	M_2		8	10		
			c		3.1	2.5		
			$n_{2 \text{ Eck}}$		579	579		
			$n_{2 \text{ th}}$		571	571		
10.000	15	0.11	M_2	6	12	15		
			c	2.5	1.3	1.0		
			$n_{2 \text{ Eck}}$	405	405	405		
			$n_{2 \text{ th}}$	400	400	400		

GPA00-2S				06CN41	06FN41	06IN41
				...500	...500	...500
i	M_{2GN}	J_G	M_1	0.60	1.20	1.50
			n_1	4050	4050	4050
			I_{M230}	2.6	2.9	3.2
			I_{M400}	1.3	1.5	1.6
			P_N	0.25	0.51	0.64
			J_M	0.17	0.25	0.33
16.000	25	0.15	M_2	9	18	23
			c	2.8	1.4	1.1
			$n_{2 \text{ Eck}}$	253	253	253
			$n_{2 \text{ th}}$	253	253	253

M ... [Nm]
 n ... [r/min]
 J ... [kgcm²]

P ... [kW]
 I ... [A]
 i [-]
 c [-]



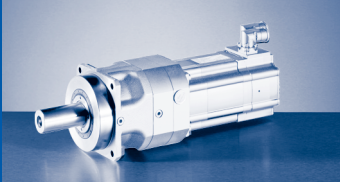
$M_{2GN} \leq 70 \text{ Nm}$

GPA01-1S				06FN41	06IN41	09FN38	09HN41	12HN15	12HN35	12LN20	12LN41
				...500	...500	...500	...500	...500	...500	...500	...500
i	M_{2GN}	J_G	M_1	1.20	1.50	3.10	3.80	10.00	7.50	13.50	11.00
			n_1	4050	4050	3750	4050	1500	3525	1950	4050
			I_{M230}	2.9	3.2	5.0	6.8	7.6		11.8	
			I_{M400}	1.5	1.6	2.5	3.4	3.8	5.7	5.9	10.2
			P_N	0.51	0.64	1.20	1.60	1.60	2.80	2.80	4.70
			J_M	0.25	0.33	1.53	1.93	7.42	7.42	10.72	10.72
3.000	56	0.71	M_2					29	22	40	32
			c					1.9	2.6	1.4	1.7
			$n_{2 \text{ Eck}}$					500	1175	650	1350
			$n_{2 \text{ th}}$					500	767	650	767
4.000	70	0.52	M_2					39	29	53	43
			c					1.8	2.4	1.3	1.6
			$n_{2 \text{ Eck}}$					375	881	488	1013
			$n_{2 \text{ th}}$					375	725	488	725
7.000	70	0.39	M_2			21	26	68	51		
			c			3.3	2.7	1.0	1.4		
			$n_{2 \text{ Eck}}$			536	579	214	504		
			$n_{2 \text{ th}}$			443	443	214	443		
10.000	45	0.36	M_2	12	15	30	37				
			c	3.9	3.1	1.5	1.2				
			$n_{2 \text{ Eck}}$	405	405	375	405				
			$n_{2 \text{ th}}$	310	310	310	310				

GPA01-2S				06CN41	06FN41	06IN41	09FN38	09HN41
				...500	...500	...500	...500	...500
i	M_{2GN}	J_G	M_1	0.60	1.20	1.50	3.10	3.80
			n_1	4050	4050	4050	3750	4050
			I_{M230}	2.6	2.9	3.2	5.0	6.8
			I_{M400}	1.3	1.5	1.6	2.5	3.4
			P_N	0.25	0.51	0.64	1.20	1.60
			J_M	0.17	0.25	0.33	1.53	1.93
16.000	70	0.16	M_2		18	23	47	58
			c		3.9	3.1	1.5	1.2
			$n_{2 \text{ Eck}}$		253	253	234	253
			$n_{2 \text{ th}}$		219	219	219	219
20.000	70	0.14	M_2		23	29		
			c		3.1	2.5		
			$n_{2 \text{ Eck}}$		203	203		
			$n_{2 \text{ th}}$		175	175		
28.000	70	0.12	M_2	16	32	40		
			c	4.4	2.2	1.8		
			$n_{2 \text{ Eck}}$	145	145	145		
			$n_{2 \text{ th}}$	136	136	136		

$M \dots$ [Nm]
 $n \dots$ [r/min]
 $J \dots$ [kgcm²]

$P \dots$ [kW]
 $I \dots$ [A]
 $i [-]$
 $c [-]$



GPA [Nm]

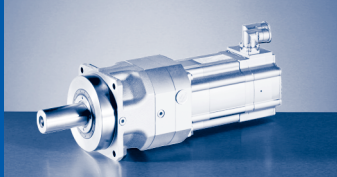
GPA□□-□S (MCS)

$M_{2GN} \leq 170 \text{ Nm}$

GPA02-1S				09FN38	09HN41	12HN15	12HN35	12LN20	12LN41	14DN15	
				...500	...500	...500	...500	...500	...500	...500	
i	M_{2GN}	J_G	M_1	3.10	3.80	10.00	7.50	13.50	11.00	9.20	
			n_1	3750	4050	1500	3525	1950	4050	1500	
			I_{M230}	5.0	6.8	7.6		11.8			
			I_{M400}	2.5	3.4	3.8	5.7	5.9	10.2	4.5	
			P_N	1.20	1.60	1.60	2.80	2.80	4.70	1.45	
			J_M	1.53	1.93	7.42	7.42	10.72	10.72	8.22	
3.000	135	3.10	M_2							27	
			c							5.0	
			n_2 Eck								500
			n_2 th								500
4.000	0	2.25	M_2			38					
			c			4.3					
			n_2 Eck			375					
			n_2 th			0					
4.000	170	2.25	M_2					53	43	36	
			c					3.2	4.0	4.7	
			n_2 Eck					488	1013	375	
			n_2 th					488	625	375	
5.000	170	1.52	M_2			49	37	66	54	45	
			c			3.5	4.6	2.6	3.2	3.8	
			n_2 Eck			300	705	390	810	300	
			n_2 th			300	500	390	500	300	
7.000	170	1.69	M_2			68	51	92	75	63	
			c			2.5	3.3	1.9	2.3	2.7	
			n_2 Eck			214	504	279	579	214	
			n_2 th			214	400	279	400	214	
10.000	110	1.18	M_2	30	37						
			c	3.6	3.0						
			n_2 Eck	375	405						
			n_2 th	280	280						

M ... [Nm]
 n ... [r/min]
 J ... [kgcm²]

P ... [kW]
 I ... [A]
 i [-]
 c [-]

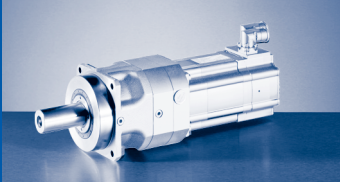


$M_{2GN} \leq 170 \text{ Nm}$

14DN36	14HN15	14HN32	14LN15	14LN32	14PN14	14PN32	GPA02-1S			
...500	...500	...500	...500	...500	...500	...500	M_1	J_G	M_{2GN}	i
7.50	16.00	14.00	23.00	17.20	30.00	21.00	n_1			
3600	1500	3225	1500	3225	1350	3225	I_{M230}			
							I_{M400}			
7.5	6.6	11.9	9.7	15.0	10.8	15.6	P_N			
2.80	2.50	4.70	3.60	5.80	4.20	7.10	J_M			
8.22	14.32	14.32	23.44	23.44	34.74	34.82	M_2			
	47	41	67	50	88	61	c	3.10	135	3.000
	2.9	3.3	2.0	2.7	1.5	2.2	$n_{2 \text{ Eck}}$			
	500	1075	500	1075	450	1075	$n_{2 \text{ th}}$			
	500	667	500	667	450	667	M_2			
							c	2.25	0	4.000
							$n_{2 \text{ Eck}}$			
							$n_{2 \text{ th}}$			
	62	55	90	67	117	82	M_2			
	2.7	3.1	1.9	2.5	1.5	2.1	c	2.25	170	4.000
	375	806	375	806	338	806	$n_{2 \text{ Eck}}$			
	375	625	375	625	338	625	$n_{2 \text{ th}}$			
37	78	68	112	84	146	102	M_2			
4.6	2.2	2.5	1.5	2.0	1.2	1.7	c	1.52	170	5.000
720	300	645	300	645	270	645	$n_{2 \text{ Eck}}$			
500	300	500	300	500	270	500	$n_{2 \text{ th}}$			
51	109	96	157	117		143	M_2			
3.3	1.6	1.8	1.1	1.5		1.2	c	1.69	170	7.000
514	214	461	214	461		461	$n_{2 \text{ Eck}}$			
400	214	400	214	400		400	$n_{2 \text{ th}}$			
							M_2			
							c	1.18	110	10.000
							$n_{2 \text{ Eck}}$			
							$n_{2 \text{ th}}$			

M ... [Nm]
n ... [r/min]
J ... [kgcm²]

P ... [kW]
I ... [A]
i [-]
c [-]



GPA [Nm]

GPA□□-□S (MCS)

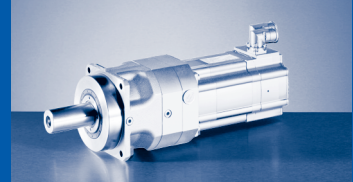
$M_{2GN} \leq 170 \text{ Nm}$

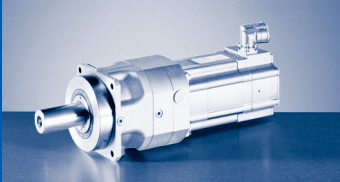
GPA02-2S				09FN38	09HN41	12HN15	12HN35	12LN41
				...500	...500	...500	...500	...500
i	M_{2GN}	J_G	M_1	3.10	3.80	10.00	7.50	11.00
			n_1	3750	4050	1500	3525	4050
			I_{M230}	5.0	6.8	7.6		
			I_{M400}	2.5	3.4	3.8	5.7	10.2
			P_N	1.20	1.60	1.60	2.80	4.70
			J_M	1.53	1.93	7.42	7.42	10.72
16.000	170	0.58	M_2	47	58	152	114	167
			c	3.6	2.9	1.1	1.5	1.0
			$n_{2 \text{ Eck}}$	234	253	94	220	253
			$n_{2 \text{ th}}$	194	194	94	194	194
20.000	170	0.48	M_2	59	72			
			c	2.9	2.4			
			$n_{2 \text{ Eck}}$	188	203			
			$n_{2 \text{ th}}$	155	155			
28.000	170	0.41	M_2	83	101			
			c	2.1	1.7			
			$n_{2 \text{ Eck}}$	134	145			
			$n_{2 \text{ th}}$	125	125			
35.000	170	0.40	M_2	103	126			
			c	1.7	1.4			
			$n_{2 \text{ Eck}}$	107	116			
			$n_{2 \text{ th}}$	100	100			

M ... [Nm]
 n ... [r/min]
 J ... [kgcm²]

P ... [kW]
 I ... [A]
 i [-]
 c [-]

GPA [Nm]
GPA□□-□S (MCS)





GPA [Nm]

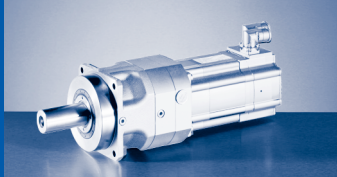
GPA□□-□S (MCS)

$M_{2GN} \leq 360 \text{ Nm}$

GPA03-1S				12HN15	12HN35	12LN20	12LN41	14DN15	14DN36	14HN15	14HN32	14LN15
				...500	...500	...500	...500	...500	...500	...500	...500	...500
i	M_{2GN}	J_G	M_1	10.00	7.50	13.50	11.00	9.20	7.50	16.00	14.00	23.00
			n_1	1500	3525	1950	4050	1500	3600	1500	3225	1500
			I_{M230}	7.6		11.8						
			I_{M400}	3.8	5.7	5.9	10.2	4.5	7.5	6.6	11.9	9.7
			P_N	1.60	2.80	2.80	4.70	1.45	2.80	2.50	4.70	3.60
			J_M	7.42	7.42	10.72	10.72	8.22	8.22	14.32	14.32	23.44
3.000	290	9.31	M_2 c $n_{2 \text{ Eck}}$ $n_{2 \text{ th}}$									
4.000	360	6.89	M_2 c $n_{2 \text{ Eck}}$ $n_{2 \text{ th}}$									
5.000	360	5.97	M_2 c $n_{2 \text{ Eck}}$ $n_{2 \text{ th}}$									
7.000	360	3.90	M_2 c $n_{2 \text{ Eck}}$ $n_{2 \text{ th}}$							109 3.3 214 214	96 3.8 461 371	157 2.3 214 214
10.000	220	3.53	M_2 c $n_{2 \text{ Eck}}$ $n_{2 \text{ th}}$	98 2.3 150 150	73 3.0 353 260	132 1.7 195 195	107 2.1 405 260	90 2.5 150 150	73 3.0 360 260	156 1.4 150 150	137 1.6 323 260	224 1.0 150 150

$M \dots$ [Nm]
 $n \dots$ [r/min]
 $J \dots$ [kgcm²]

$P \dots$ [kW]
 $I \dots$ [A]
 $i [-]$
 $c [-]$

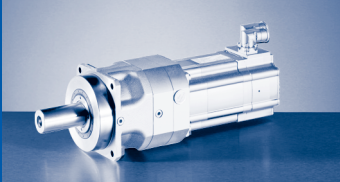


$M_{2GN} \leq 360 \text{ Nm}$

14LN32	14PN14	14PN32	19FN14	19FN30	19JN14	19JN30	19PN14	19PN30	GPA03-1S			
...500	...500	...500	...500	...500	...500	...500	...500	...500	M_1	J_G	M_{2GN}	i
17.20	30.00	21.00	27.00	21.00	40.00	29.00	51.00	32.00	n_1			
3225	1350	3225	1425	3000	1425	3000	1350	3000	I_{M230}			
									I_{M400}			
15.0	10.8	15.6	8.6	14.0	12.3	18.5	14.3	19.0	P_N			
5.80	4.20	7.10	4.00	6.60	6.00	9.10	7.20	10.00	J_M			
23.44	34.74	34.82	65.12	65.04	105.04	105.12	160.12	160.04	M_2			
			79	61	117	85	149	94	c	9.31	290	3.000
			3.7	4.7	2.5	3.4	2.0	3.1	$n_{2 \text{ Eck}}$			
			475	1000	475	1000	450	1000	$n_{2 \text{ th}}$			
			475	567	475	567	450	567				
			105	82	156	113	199	125	M_2	6.89	360	4.000
			3.4	4.4	2.3	3.2	1.8	2.9	c			
			356	750	356	750	338	750	$n_{2 \text{ Eck}}$			
			356	525	356	525	338	525	$n_{2 \text{ th}}$			
			132	102	195	141	249	156	M_2	5.97	360	5.000
			2.7	3.5	1.9	2.6	1.5	2.3	c			
			285	600	285	600	270	600	$n_{2 \text{ Eck}}$			
			285	420	285	420	270	420	$n_{2 \text{ th}}$			
117	205	143	184	143	273	198	348	218	M_2	3.90	360	7.000
3.1	1.8	2.5	2.0	2.5	1.3	1.8	1.0	1.7	c			
461	193	461	204	429	204	429	193	429	$n_{2 \text{ Eck}}$			
371	193	371	204	371	204	371	193	371	$n_{2 \text{ th}}$			
168		205							M_2	3.53	220	10.000
1.3		1.1							c			
323		323							$n_{2 \text{ Eck}}$			
260		260							$n_{2 \text{ th}}$			

M ... [Nm]
n ... [r/min]
J ... [kgcm²]

P ... [kW]
I ... [A]
i [-]
c [-]



GPA [Nm]

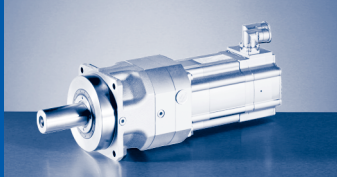
GPA□□-□S (MCS)

$M_{2GN} \leq 360 \text{ Nm}$

GPA03-2S				12HN15	12HN35	12LN20	12LN41	14DN15	14DN36	14HN15	14HN32	14LN15	14LN32	14PN32	
				...S00	...S00	...S00	...S00	...S00	...S00	...S00	...S00	...S00	...S00	...S00	
i	M_{2GN}	J_G	M_1	10.00	7.50	13.50	11.00	9.20	7.50	16.00	14.00	23.00	17.20	21.00	
			n_1	1500	3525	1950	4050	1500	3600	1500	3225	1500	3225	3225	3225
			I_{M230}	7.6		11.8									
			I_{M400}	3.8	5.7	5.9	10.2	4.5	7.5	6.6	11.9	9.7	15.0	15.6	
			P_N	1.60	2.80	2.80	4.70	1.45	2.80	2.50	4.70	3.60	5.80	7.10	
			J_M	7.42	7.42	10.72	10.72	8.22	8.22	14.32	14.32	23.44	23.44	34.82	
16.000	360	2.37	M_2	152	114	205	167	140	114	243	213	350	261	319	
			c	2.4	3.2	1.8	2.2	2.6	3.2	1.5	1.7	1.0	1.4	1.1	
			$n_{2 \text{ Eck}}$	94	220	122	253	94	225	94	202	94	202	202	202
			$n_{2 \text{ th}}$	94	181	122	181	94	181	94	181	94	181	181	181
20.000	360	2.02	M_2	190	143	257	209	175	143	304	266		327		
			c	1.9	2.5	1.4	1.7	2.1	2.5	1.2	1.4		1.1		
			$n_{2 \text{ Eck}}$	75	176	98	203	75	180	75	161		161		
			$n_{2 \text{ th}}$	75	145	98	145	75	145	75	145		145		
28.000	360	1.74	M_2	266	200	359	293								
			c	1.4	1.8	1.0	1.2								
			$n_{2 \text{ Eck}}$	54	126	70	145								
			$n_{2 \text{ th}}$	54	114	70	114								

M ... [Nm]
 n ... [r/min]
 J ... [kgcm²]

P ... [kW]
 I ... [A]
 i [-]
 c [-]



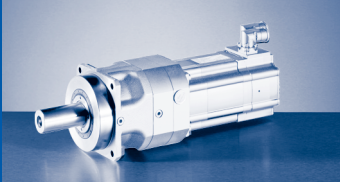
$M_{2GN} \leq 620 \text{ Nm}$

GPA04-1S				19FN14	19FN30	19JN14	19JN30	19PN14	19PN30
				...500	...500	...500	...500	...500	...500
i	M_{2GN}	J_G	M_1	27.00	21.00	40.00	29.00	51.00	32.00
			n_1	1425	3000	1425	3000	1350	3000
			I_{M400}	8.6	14.0	12.3	18.5	14.3	19.0
			P_N	4.00	6.60	6.00	9.10	7.20	10.00
			J_M	65.12	65.04	105.04	105.12	160.12	160.04
5.000	550	19.46	M_2	132		195	141	249	156
			c	4.2		2.8	3.9	2.2	3.5
			$n_{2 \text{ Eck}}$	285		285	600	270	600
			$n_{2 \text{ th}}$	285		285	340	270	340
7.000	550	25.90	M_2	184	143	273	198	348	218
			c	3.0	3.8	2.0	2.8	1.6	2.5
			$n_{2 \text{ Eck}}$	204	429	204	429	193	429
			$n_{2 \text{ th}}$	204	343	204	343	193	343
10.000	340	24.89	M_2	263	205				312
			c	1.3	1.7				1.1
			$n_{2 \text{ Eck}}$	143	300				300
			$n_{2 \text{ th}}$	143	240				240
10.000	360	24.89	M_2				283		
			c				1.3		
			$n_{2 \text{ Eck}}$				300		
			$n_{2 \text{ th}}$				240		

GPA04-2S				19FN14	19FN30	19JN14	19JN30	19PN30
				...500	...500	...500	...500	...500
i	M_{2GN}	J_G	M_1	27.00	21.00	40.00	29.00	32.00
			n_1	1425	3000	1425	3000	3000
			I_{M400}	8.6	14.0	12.3	18.5	19.0
			P_N	4.00	6.60	6.00	9.10	10.00
			J_M	65.12	65.04	105.04	105.12	160.04
16.000	550	7.33	M_2			550		
			c			1.0		
			$n_{2 \text{ Eck}}$			89		
			$n_{2 \text{ th}}$			89		
16.000	620	7.33	M_2	410	319		441	486
			c	1.5	1.9		1.4	1.3
			$n_{2 \text{ Eck}}$	89	188		188	188
			$n_{2 \text{ th}}$	89	169		169	169

M ... [Nm]
n ... [r/min]
J ... [kgcm²]

P ... [kW]
I ... [A]
i [-]
c [-]



GPA [Nm]

GPA□□-□S (MCS)

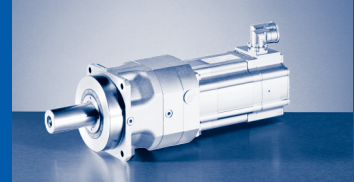
$M_{2GN} \leq 1000 \text{ Nm}$

GPA05-1S				19FN14	19FN30	19JN14	19JN30	19PN14	19PN30
				...500	...500	...500	...500	...500	...500
i	M_{2GN}	J_G	M_1	27.00	21.00	40.00	29.00	51.00	32.00
			n_1	1425	3000	1425	3000	1350	3000
			I_{M400}	8.6	14.0	12.3	18.5	14.3	19.0
			P_N	4.00	6.60	6.00	9.10	7.20	10.00
			J_M	65.12	65.04	105.04	105.12	160.12	160.04
7.000	1000	21.36	M_2			273		348	
			c			3.7		2.9	
			$n_{2 \text{ Eck}}$			204		193	
			$n_{2 \text{ th}}$			204		193	
			M_2	263	205	390	283	497	312
10.000	620	18.62	c	2.4	3.0	1.6	2.2	1.3	2.0
			$n_{2 \text{ Eck}}$	143	300	143	300	135	300
			$n_{2 \text{ th}}$	143	220	143	220	135	220

GPA05-2S				19FN14	19FN30	19JN14	19JN30	19PN14	19PN30
				...500	...500	...500	...500	...500	...500
i	M_{2GN}	J_G	M_1	27.00	21.00	40.00	29.00	51.00	32.00
			n_1	1425	3000	1425	3000	1350	3000
			I_{M400}	8.6	14.0	12.3	18.5	14.3	19.0
			P_N	4.00	6.60	6.00	9.10	7.20	10.00
			J_M	65.12	65.04	105.04	105.12	160.12	160.04
16.000	1000	23.39	M_2	410	319	608	441	775	486
			c	2.4	3.1	1.6	2.3	1.3	2.1
			$n_{2 \text{ Eck}}$	89	188	89	188	84	188
			$n_{2 \text{ th}}$	89	156	89	156	84	156
			M_2	513	399	760	551	969	608
20.000	1000	20.08	c	2.0	2.5	1.3	1.8	1.0	1.6
			$n_{2 \text{ Eck}}$	71	150	71	150	68	150
			$n_{2 \text{ th}}$	71	125	71	125	68	125
			M_2	718	559	1000	771		851
			c	1.4	1.8	1.0	1.3		1.2
28.000	1000	26.22	$n_{2 \text{ Eck}}$	51	107	51	107		107
			$n_{2 \text{ th}}$	51	89	51	89		89

M ... [Nm]
 n ... [r/min]
 J ... [kgcm²]

P ... [kW]
 I ... [A]
 i [-]
 c [-]

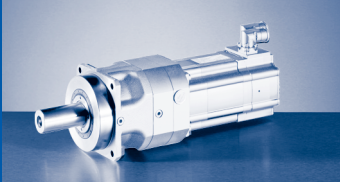


$M_{2GN} \leq 25 \text{ Nm}$

GPA00-1A				10IN40
				...S00
i	M_{2GN}	J_G	M_1	2.00
			n_1	3950
			I_{M400}	2.4
			P_N	0.80
			J_M	2.44
4.000	25	0.16	M_2	8
			c	3.2
			$n_{2 \text{ Eck}}$	988
			$n_{2 \text{ th}}$	825
5.000	25	0.13	M_2	10
			c	2.6
			$n_{2 \text{ Eck}}$	790
			$n_{2 \text{ th}}$	660

M ... [Nm]
n ... [r/min]
J ... [kgcm²]

P ... [kW]
I ... [A]
i [-]
c [-]



GPA [Nm]

GPA□□-□A (MCA)

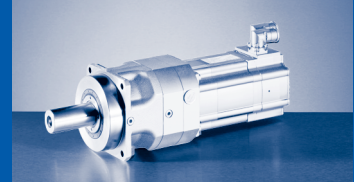
$M_{2GN} \leq 72 \text{ Nm}$

GPA01-1A				10IN40	13IN34	13IN41
				...S00	...F10	...S00
i	M_{2GN}	J_G	M_1			
			n_1	3950	3410	4050
			I_{M400}	2.4	6.0	4.4
			P_N	0.80	2.20	1.70
			J_M	2.44	8.34	8.34
3.000	56	0.71	M_2		18	11
			c		3.0	4.8
			$n_{2 \text{ Eck}}$		1137	1350
			$n_{2 \text{ th}}$		767	767
4.000	70	0.52	M_2		24	15
			c		2.8	4.5
			$n_{2 \text{ Eck}}$		853	1013
			$n_{2 \text{ th}}$		725	725
7.000	70	0.39	M_2		43	27
			c		1.6	2.6
			$n_{2 \text{ Eck}}$		487	579
			$n_{2 \text{ th}}$		443	443
7.000	72	0.39	M_2	13		
			c	5.3		
			$n_{2 \text{ Eck}}$	564		
			$n_{2 \text{ th}}$	443		
10.000	46	0.36	M_2	19		
			c	2.4		
			$n_{2 \text{ Eck}}$	395		
			$n_{2 \text{ th}}$	310		

GPA01-2A				10IN40
				...S00
i	M_{2GN}	J_G	M_1	
			n_1	3950
			I_{M400}	2.4
			P_N	0.80
			J_M	2.44
16.000	70	0.16	M_2	30
			c	2.3
			$n_{2 \text{ Eck}}$	247
			$n_{2 \text{ th}}$	219

M ... [Nm]
 n ... [r/min]
 J ... [kgcm²]

P ... [kW]
 I ... [A]
 i [-]
 c [-]



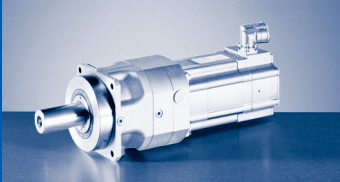
$M_{2GN} \leq 170 \text{ Nm}$

GPA02-1A				10IN40	13IN34	14LN16	14LN20	14LN35	14LN41	17NN17	17NN23	17NN35	17NN41
				...S00	...F10	...F10	...S00	...F10	...S00	...F10	...S00	...F10	...S00
i	M_{2GN}	J_G	M_1	2.00	6.30	12.00	6.70	10.80	5.40	21.50	10.80	19.00	9.50
			n_1	3950	3410	1635	2000	3455	4100	1680	2300	3480	4110
			I_{M400}	2.4	6.0	4.8	3.3	9.1	5.8	8.5	5.5	15.8	10.2
			P_N	0.80	2.20	2.10	1.40	3.90	2.30	3.80	2.60	6.90	4.10
			J_M	2.44	8.34	19.32	19.24	19.24	19.24	36.04	36.04	36.04	36.04
3.000	135	3.10	M_2			34		31		62	31	55	27
			c			3.8		4.3		2.1	4.3	2.4	4.8
			$n_{2 \text{ Eck}}$			545		1152		560	767	1160	1370
			$n_{2 \text{ th}}$			545		667		560	667	667	667
4.000	170	2.25	M_2			46		41		83	41	74	36
			c			3.6		4.0		2.0	4.0	2.3	4.6
			$n_{2 \text{ Eck}}$			409		864		420	575	870	1028
			$n_{2 \text{ th}}$			409		625		420	575	625	625
5.000	170	1.52	M_2		29	58	31	52		105	52	92	45
			c		5.5	2.9	5.2	3.2	1.6	3.2	1.8	3.7	
			$n_{2 \text{ Eck}}$		682	327	400	691	336	460	696	822	
			$n_{2 \text{ th}}$		500	327	400	500	336	460	500	500	
7.000	170	1.69	M_2		42	81	45	73	36	147	73	130	64
			c		3.9	2.1	3.7	2.3	4.6	1.2	2.3	1.3	2.6
			$n_{2 \text{ Eck}}$		487	234	286	494	586	240	329	497	587
			$n_{2 \text{ th}}$		400	234	286	400	400	240	329	400	400
10.000	110	1.18	M_2	19									
			c	5.6									
			$n_{2 \text{ Eck}}$	395									
			$n_{2 \text{ th}}$	280									

GPA02-2A				10IN40	13IN34	13IN41
				...S00	...F10	...S00
i	M_{2GN}	J_G	M_1	2.00	6.30	4.00
			n_1	3950	3410	4050
			I_{M400}	2.4	6.0	4.4
			P_N	0.80	2.20	1.70
			J_M	2.44	8.34	8.34
16.000	170	0.58	M_2	29	96	60
			c	5.5	1.8	2.8
			$n_{2 \text{ Eck}}$	247	213	253
			$n_{2 \text{ th}}$	194	194	194
20.000	170	0.48	M_2	37		
			c	4.4		
			$n_{2 \text{ Eck}}$	198		
			$n_{2 \text{ th}}$	155		
28.000	170	0.41	M_2	53		
			c	3.2		
			$n_{2 \text{ Eck}}$	141		
			$n_{2 \text{ th}}$	125		
35.000	170	0.40	M_2	66		
			c	2.5		
			$n_{2 \text{ Eck}}$	113		
			$n_{2 \text{ th}}$	100		

$M \dots$ [Nm]
 $n \dots$ [r/min]
 $J \dots$ [kgcm²]

$P \dots$ [kW]
 $I \dots$ [A]
 i [-]
 c [-]



GPA [Nm]

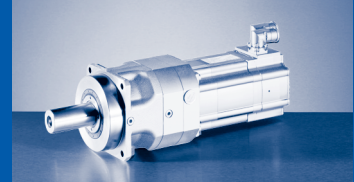
GPA□□-□A (MCA)

$M_{2GN} \leq 360 \text{ Nm}$

GPA03-1A				13IN34	13IN41	14LN16	14LN20	14LN35	14LN41	17NN17	17NN23	17NN35
				...F10	...S00	...F10	...S00	...F10	...S00	...F10	...S00	...F10
i	M_{2GN}	J_G	M_1	6.30	4.00	12.00	6.70	10.80	5.40	21.50	10.80	19.00
			n_1	3410	4050	1635	2000	3455	4100	1680	2300	3480
			I_{M400}	6.0	4.4	4.8	3.3	9.1	5.8	8.5	5.5	15.8
			P_N	2.20	1.70	2.10	1.40	3.90	2.30	3.80	2.60	6.90
			J_M	8.34	8.34	19.32	19.24	19.24	19.24	36.04	36.04	36.04
3.000	290	9.31	M_2									
			c									
			$n_{2 \text{ Eck}}$									
			$n_{2 \text{ th}}$									
4.000	360	6.89	M_2									
			c									
			$n_{2 \text{ Eck}}$									
			$n_{2 \text{ th}}$									
5.000	360	5.97	M_2									
			c									
			$n_{2 \text{ Eck}}$									
			$n_{2 \text{ th}}$									
7.000	360	3.90	M_2			79		71		145	71	128
			c			4.4		4.9		2.4	4.9	2.8
			$n_{2 \text{ Eck}}$			234		494		240	329	497
			$n_{2 \text{ th}}$			234		371		240	329	371
10.000	220	3.53	M_2	60	37	117	64	105	51	211	105	186
			c	3.6	5.6	1.9	3.4	2.1	4.2	1.0	2.1	1.2
			$n_{2 \text{ Eck}}$	341	405	164	200	346	410	168	230	348
			$n_{2 \text{ th}}$	260	260	164	200	260	260	168	230	260

$M \dots$ [Nm]
 $n \dots$ [r/min]
 $J \dots$ [kgcm²]

$P \dots$ [kW]
 $I \dots$ [A]
 $i \dots$ [-]
 $c \dots$ [-]

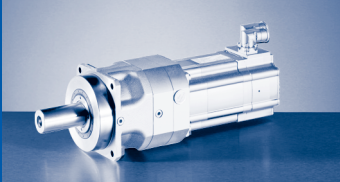


$M_{2GN} \leq 360 \text{ Nm}$

17NN41	195N17	195N23	195N35	195N42	21XN17	21XN25	21XN35	21XN42	GPA03-1A			
...S00	...F10	...S00	...F10	...S00	...F10	...S00	...F10	...S00	M_1	J_G	M_{2GN}	i
9.50	36.30	16.30	36.00	12.00	61.40	24.60	55.00	17.00	n_1			
4110	1700	2340	3510	4150	1710	2490	3520	4160	I_{M400}			
10.2	13.9	8.2	28.7	14.0	22.5	13.5	42.5	19.8	P_N			
4.10	6.40	4.00	13.20	5.20	11.00	6.40	20.30	7.40	J_M			
36.04	72.12	72.12	72.04	72.12	180.04	180.04	180.04	180.04	M_2			
	105		104		179	70	160	48	c	9.31	290	3.000
	2.7		2.7		1.6	4.0	1.8	5.8	$n_{2 \text{ Eck}}$			
	567		1170		570	830	1173	1387	$n_{2 \text{ th}}$			
	567		567		567	567	567	567				
	140	61	139						M_2	6.89	360	4.000
	2.5	5.6	2.6						c			
	425	585	878						$n_{2 \text{ Eck}}$			
	425	525	525						$n_{2 \text{ th}}$			
	176	77	175		300	118	269	80	M_2	5.97	360	5.000
	2.0	4.5	2.0		1.2	3.0	1.3	4.3	c			
	340	468	702		342	498	704	832	$n_{2 \text{ Eck}}$			
	340	420	420		342	420	420	420	$n_{2 \text{ th}}$			
62	248	109	246	79					M_2	3.90	360	7.000
5.5	1.5	3.2	1.5	4.4					c			
587	243	334	501	593					$n_{2 \text{ Eck}}$			
371	243	334	371	371					$n_{2 \text{ th}}$			
92									M_2	3.53	220	10.000
2.4									c			
411									$n_{2 \text{ Eck}}$			
260									$n_{2 \text{ th}}$			

M ... [Nm]
n ... [r/min]
J ... [kgcm²]

P ... [kW]
I ... [A]
i [-]
c [-]



GPA [Nm]

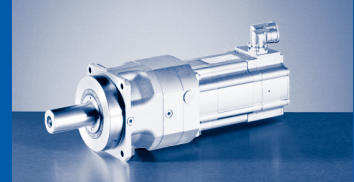
GPA□□-□A (MCA)

$M_{2GN} \leq 360 \text{ Nm}$

GPA03-2A				13IN34	13IN41	14LN16	14LN20	14LN35	14LN41	17NN17	17NN23	17NN35	17NN41	
				...F10	...S00	...F10	...S00	...F10	...S00	...F10	...S00	...F10	...S00	
i	M_{2GN}	J_G	M_1	6.30	4.00	12.00	6.70	10.80	5.40	21.50	10.80	19.00	9.50	
			n_1	3410	4050	1635	2000	3455	4100	1680	2300	3480	4110	
			I_{M400}	6.0	4.4	4.8	3.3	9.1	5.8	8.5	5.5	15.8	10.2	
			P_N	2.20	1.70	2.10	1.40	3.90	2.30	3.80	2.60	6.90	4.10	
			J_M	8.34	8.34	19.32	19.24	19.24	19.24	36.04	36.04	36.04	36.04	
16.000	360	2.37	M_2	94	58	183	100	164	80	330	164	291	144	
			c	3.7	5.9	2.0	3.5	2.2	4.3	1.1	2.2	1.2	2.5	
			$n_{2 \text{ Eck}}$	213	253	102	125	216	256	105	144	218	257	
			$n_{2 \text{ th}}$	181	181	102	125	181	181	105	144	181	181	
20.000	360	2.02	M_2	119	74	229	126	206	101		206		181	
			c	3.0	4.7	1.6	2.8	1.7	3.5		1.7		2.0	
			$n_{2 \text{ Eck}}$	171	203	82	100	173	205		115		206	
			$n_{2 \text{ th}}$	145	145	82	100	145	145		115		145	
28.000	360	1.74	M_2	167	105									
			c	2.1	3.4									
			$n_{2 \text{ Eck}}$	122	145									
			$n_{2 \text{ th}}$	114	114									

M ... [Nm]
 n ... [r/min]
 J ... [kgcm²]

P ... [kW]
 I ... [A]
 i [-]
 c [-]



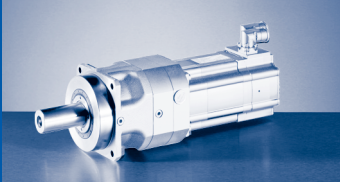
$M_{2GN} \leq 550 \text{ Nm}$

GPA04-1A				19SN17	19SN23	19SN35	19SN42	21XN17	21XN25	21XN35	21XN42
				...F10	...S00	...F10	...S00	...F10	...S00	...F10	...S00
i	M_{2GN}	J_G	M_1	36.30	16.30	36.00	12.00	61.40	24.60	55.00	17.00
			n_1	1700	2340	3510	4150	1710	2490	3520	4160
			I_{M400}	13.9	8.2	28.7	14.0	22.5	13.5	42.5	19.8
			P_N	6.40	4.00	13.20	5.20	11.00	6.40	20.30	7.40
			J_M	72.12	72.12	72.04	72.12	180.04	180.04	180.04	180.04
3.000	420	29.42	M_2					178	69	159	
			c					2.3	5.8	2.6	
			$n_{2 \text{ Eck}}$					570	830	1173	
			$n_{2 \text{ th}}$					467	467	467	
4.000	550	22.06	M_2					238	92	212	
			c					2.3	5.7	2.6	
			$n_{2 \text{ Eck}}$					428	623	880	
			$n_{2 \text{ th}}$					425	425	425	
5.000	550	19.46	M_2	174		173					
			c	3.1		3.1					
			$n_{2 \text{ Eck}}$	340		702					
			$n_{2 \text{ th}}$	340		340					
7.000	550	25.90	M_2	246	107	244		420	165	376	112
			c	2.2	4.9	2.2		1.3	3.3	1.5	4.7
			$n_{2 \text{ Eck}}$	243	334	501		244	356	503	594
			$n_{2 \text{ th}}$	243	334	343		244	343	343	343
10.000	340	24.89	M_2		158		115				
			c		2.1		2.9				
			$n_{2 \text{ Eck}}$		234		415				
			$n_{2 \text{ th}}$		234		240				

GPA04-2A				19SN23	19SN42
				...S00	...S00
i	M_{2GN}	J_G	M_1	16.30	12.00
			n_1	2340	4150
			I_{M400}	8.2	14.0
			P_N	4.00	5.20
			J_M	72.12	72.12
16.000	550	7.33	M_2	247	181
			c	2.2	3.0
			$n_{2 \text{ Eck}}$	146	259
			$n_{2 \text{ th}}$	146	169

$M \dots$ [Nm]
 $n \dots$ [r/min]
 $J \dots$ [kgcm²]

$P \dots$ [kW]
 $I \dots$ [A]
 i [-]
 c [-]



GPA [Nm]

GPA□□-□A (MCA)

$M_{2GN} \leq 1000 \text{ Nm}$

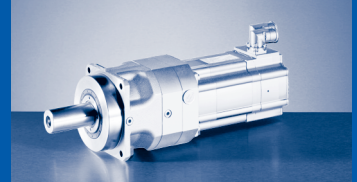
GPA05-1A				21XN17	21XN25	21XN35	21XN42
				...F10	...S00	...F10	...S00
i	M_{2GN}	J_G	M_1	61.40	24.60	55.00	17.00
			n_1	1710	2490	3520	4160
			I_{M400}	22.5	13.5	42.5	19.8
			P_N	11.00	6.40	20.30	7.40
			J_M	180.04	180.04	180.04	180.04
10.000	620	18.62	M_2	602	237	538	162
			c	1.0	2.6	1.2	3.7
			$n_{2 \text{ Eck}}$	171	249	352	416
			$n_{2 \text{ th}}$	171	220	220	220

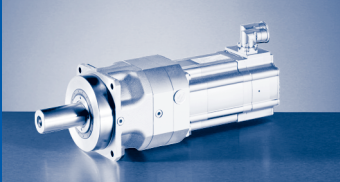
GPA05-2A				21XN17	21XN25	21XN35	21XN42
				...F10	...S00	...F10	...S00
i	M_{2GN}	J_G	M_1	61.40	24.60	55.00	17.00
			n_1	1710	2490	3520	4160
			I_{M400}	22.5	13.5	42.5	19.8
			P_N	11.00	6.40	20.30	7.40
			J_M	180.04	180.04	180.04	180.04
16.000	1000	23.39	M_2	943	372	844	254
			c	1.1	2.7	1.2	3.8
			$n_{2 \text{ Eck}}$	107	156	220	260
			$n_{2 \text{ th}}$	107	156	156	156

M ... [Nm]
n ... [r/min]
J ... [kgcm²]

P ... [kW]
I ... [A]
i [-]
c [-]

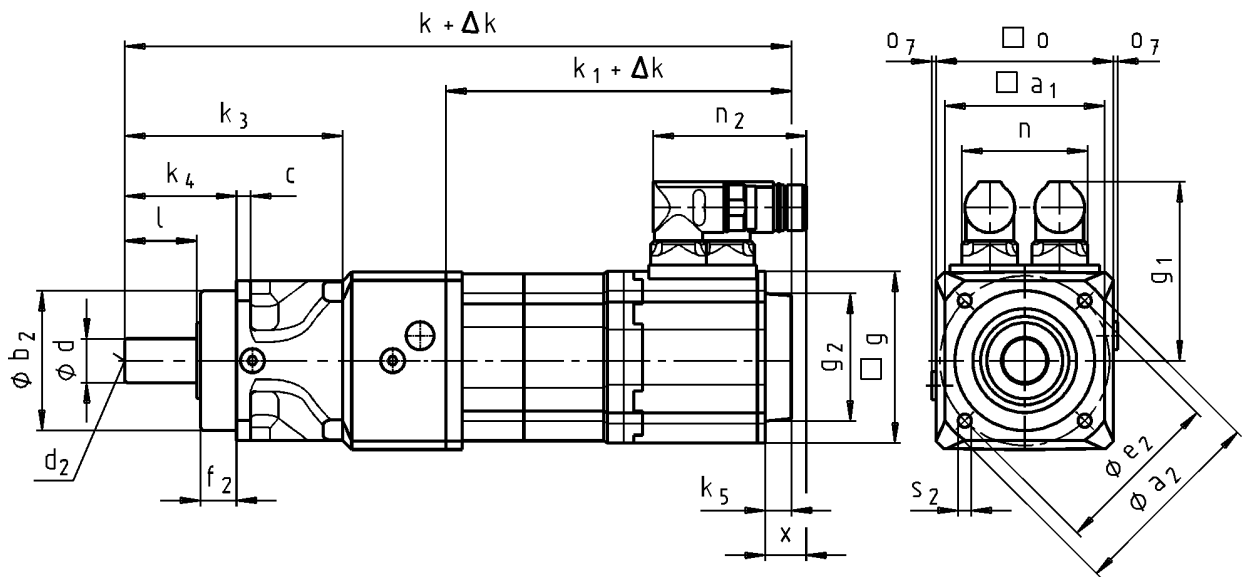
GPA [Nm]
GPA□□-□A (MCA)





GPA [mm]

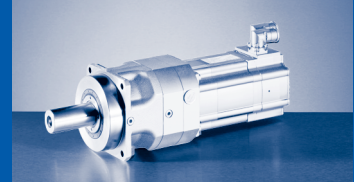
GPA□□-1S (MCS)



GPA□□-1S GCN ... RSO

		06C N41	06F N41	06I N41	09D N41	09F N38	09H N41	09L N41	12D N20	12D N41	12H N15	12H N30	12H N35	12L N20	12L N41
GPA00...	o	65			89										
	k	265	295	325	316	336	356	396							
GPA01...	o	80			89							116			
	k		323	353	344	364	384	424	349				389	429	
GPA02...	o				102							116			
	k				392	412	432	472	397				437	477	
GPA03...	o											142			
	k								455				495	535	
...RSO B0 ¹⁾	Δ k	0													
...RSO P□ ¹⁾	Δ k	19			20										
	k ₁	132	162	192	183	203	223	263	188				228	268	
	g	62			89							116			
...RSO	k ₅	0			13							14			
	g ₂	□ 62			Ø 67							Ø 72			
	g ₁	76			90							105			
	n ₂	64							78						
	n	58							63						
	x				21							18			

¹⁾ →  801 - SRS/SRM/ECN/EQN/EQI/C20



GPA□□-1S GCN ... RSO

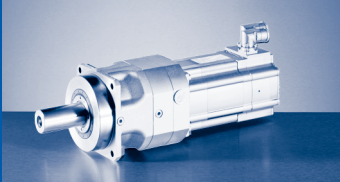
		14D N15	14D N36	14H N15	14H N32	14L N15	14L N32	14P N14	14P N32	19F N14	19F N30	19J N14	19J N30	19P N14	19P N30	
GPA02...	o	142														
	k	410		450			490		530							
GPA03...	o	142														
	k	468		508			548		588	487		527		587		
GPA04...	o	192														
	k							528		568		628				
GPA05...	o	212														
	k							579		619		679				
...RSO B0 ¹⁾	Δ k	0														
...RSO P□ ¹⁾	Δ k							28		34		44				
	k ₁	201		241			281		321	220		260		320		
	g	143														
...RSO	k ₅							24				15				
	g ₂	Ø 78														
	g ₁	116				147	116	147	141	172	141	172	141	172		
	n ₂	78				94	78	94	78	94	78	94	78	94		
	n	63				80	63	80	63	80	63	80	63	80		
	x	16				38	16	38	16	36	16	36	16	36		

¹⁾ → 801 - SRS/SRM/ECN/EQN/EQI/C20

GPA□□-1S GCN

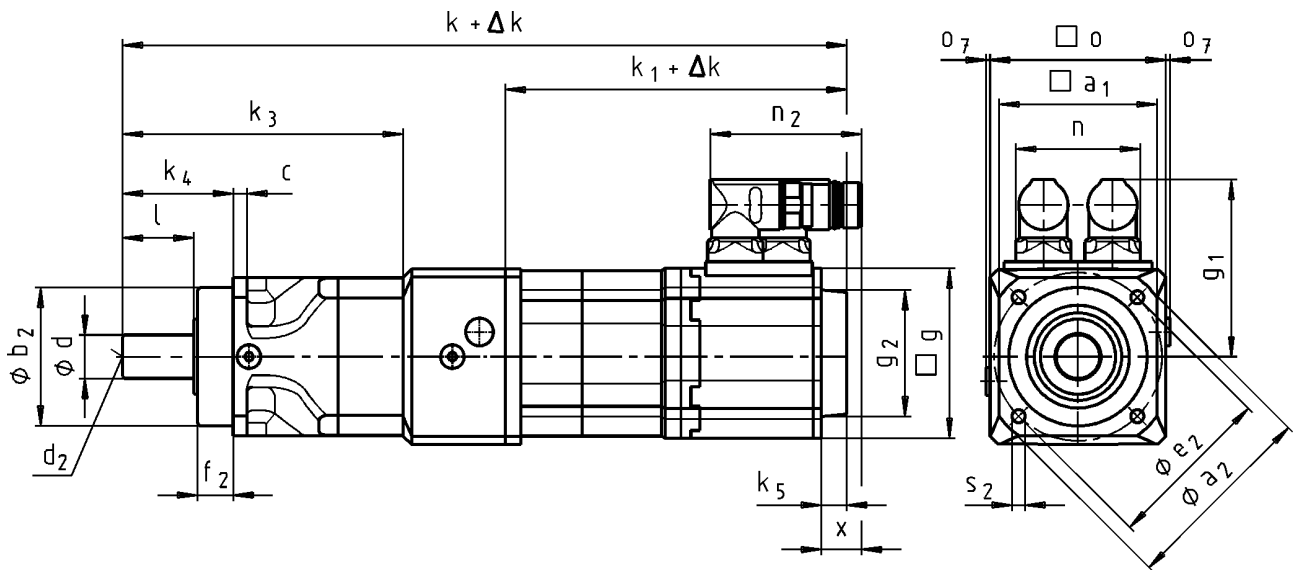
	k ₃			k ₄			o ₇			
GPA00...	94			48			2			
GPA01...	109			56						
GPA02...	146			88						
GPA03...	189			112			3			
GPA04...	213									
GPA05...	255			143						

	d	l	d ₂	a ₁	a ₂	b ₂	c ₂	e ₂	f ₂	s ₂
	k ₆					g ₆				4x90°
GPA00...	16	28	M5	65	80	60	6	68	18	5.5
GPA01...	22	36	M8	80	100	70	7	85		6.6
GPA02...	32	58	M12	102	140	90	10	120	28	9
GPA03...	40	82	M16	142	188	130	12	165		11
GPA04...	55		M20	182	250	160	15	215	27	13
GPA05...	75	105		212	290	180	17	250	35	17



GPA [mm]

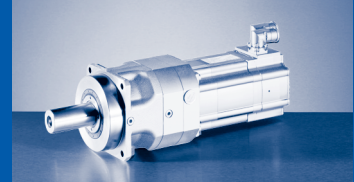
GPA□□-2S (MCS)



GPA□□-2S GCN ... RSO

		06C N41	06F N41	06I N41	09D N41	09F N38	09H N41	09L N41	12D N20	12D N41	12H N15	12H N30	12H N35	12L N20	12L N41	
GPA00...	o	65														
	k	296	326	356												
GPA01...	o	80			89											
	k	313	343	373	364	384	404	444								
GPA02...	o				102								116			
	k				419	439	459	499	424		464				504	
GPA03...	o												142			
	k							488					528		568	
...RSO B0 ¹⁾	Δk	0														
...RSO P□ ¹⁾	Δk	19			20											
	k_1	132	162	192	183	203	223	263	188		228				268	
	g	62			89								116			
...RSO	k_5	0			13								14			
	g_2	□ 62			Ø 67								Ø 72			
	g_1	76			90								105			
	n_2	64						78								
	n	58						63								
	x				21								18			

¹⁾ → 801 - SRS/SRM/ECN/EQN/EQI/C20



GPA□□-2S GCN ... RSO

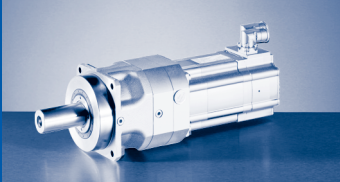
		14D N15	14D N36	14H N15	14H N32	14L N15	14L N32	14P N32	19F N14	19F N30	19J N14	19J N30	19P N14	19P N30	
GPA03...	o	142													
	k	501		541		581	621								
GPA04...	o							192							
	k							558		598		658			
GPA05...	o							212							
	k							648		688		748			
...RSO B0 ¹⁾	Δ k	0													
...RSO P□ ¹⁾	Δ k	28						34			44				
	k ₁	201		241		281	321	220		260		320			
	g	143						192							
...RSO	k ₅	24						15							
	g ₂	Ø 78													
	g ₁	116			147			141	172	141	172	141	172	141	172
	n ₂	78			94			78	94	78	94	78	94	78	94
	n	63			80			63	80	63	80	63	80	63	80
	x	16			38			16	36	16	36	16	36	16	36

1) → 801 - SRS/SRM/ECN/EQN/EQI/C20

GPA□□-2S GCN

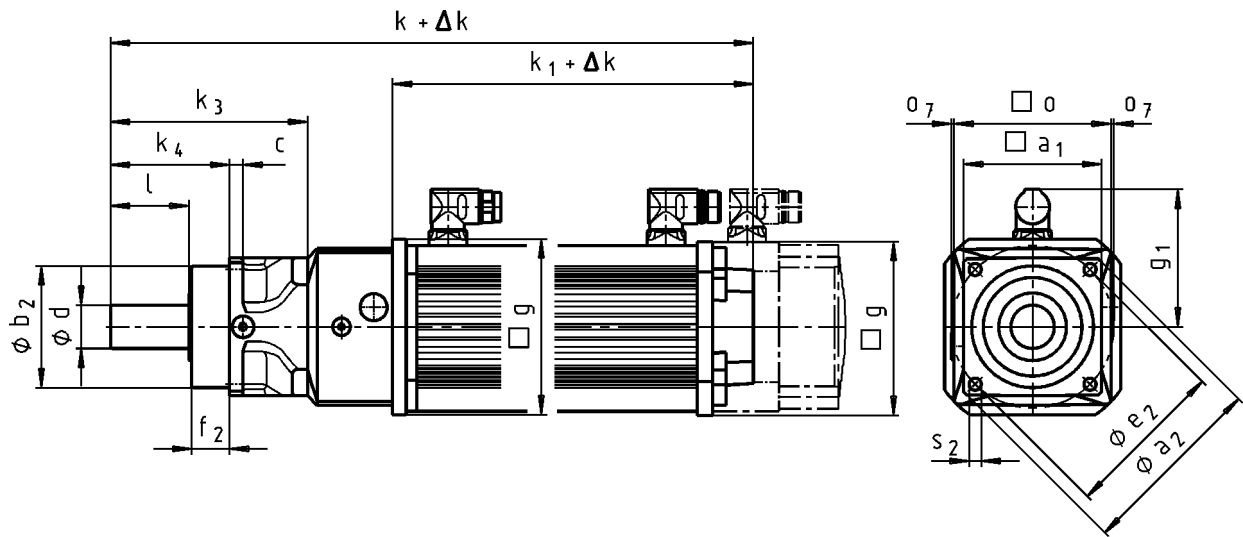
	k ₃	k ₄	o ₇
GPA00...	125	48	2
GPA01...	142	56	
GPA02...	184	88	
GPA03...	237	112	3
GPA04...	261		
GPA05...	334	143	

	d	l	d ₂	a ₁	a ₂	b ₂	c ₂	e ₂	f ₂	s ₂
	k6					g6				4x90°
GPA00...	16	28	M5	65	80	60	6	68	18	5.5
GPA01...	22	36	M8	80	100	70	7	85		6.6
GPA02...	32	58	M12	102	140	90	10	120	28	9
GPA03...	40	82	M16	142	188	130	12	165		11
GPA04...	55		M20	182	250	160	15	215	27	13
GPA05...	75	105		212	290	180	17	250	35	17



GPA [mm]

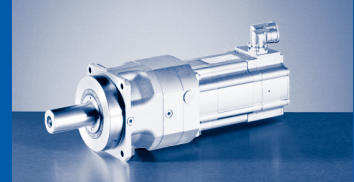
GPA□□-1A (MCA)



GPA□□-1A GCN ... RSO

		10I N40 ...S00	13I N41 ...S00	13I N34 ...F10	14L N20 ...S00	14L N41 ...S00	14L N16 ...F10	14L N35 ...F10	17N N23 ...S00	17N N41 ...S00
GPA00...	o	89								
	k	395								
GPA01...	o	89	116							
	k	423	432	500						
GPA02...	o	102	116				142			
	k	471	479	547	510		572		548	
GPA03...	o					142				
	k		537	605	568		630		606	
...RSO B0 ¹⁾	Δk					0				
...RSO P□ ¹⁾	Δk	25	35			33			35	
	k_1	262	271	339	302		364		340	
	g	102	131			142			165	
	g ₁	90	102			109			118	

¹⁾ → 803 - SRS/SRM/ECN/EQN/EQI/S20/T20/CDD



GPA□□-1A GCN ... RSO

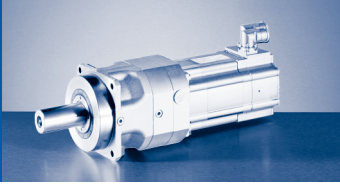
		17N N17 ...F10	17N N35 ...F10	19S N23 ...S00	19S N42 ...S00	19S N17 ...F10	19S N35 ...F10	21X N25 ...S00	21X N42 ...S00	21X N17 ...F10	21X N35 ...F10
GPA02...	o	142									
	k	637									
GPA03...	o	142		192				214			
	k	695		668		765		756		852	
GPA04...	o					192					
	k			709		806		777		873	
GPA05...	o					212					
	k			760		857		829		925	
...RSO B0 ¹⁾	Δ k					0					
...RSO P□ ¹⁾	Δ k	35		38				42			
	k ₁	429		401		498		470		566	
	g	165				192				214	
	g ₁	118				161				172	

¹⁾ → 803 - SRS/SRM/ECN/EQN/EQI/S20/T20/CDD

GPA□□-1A GCN

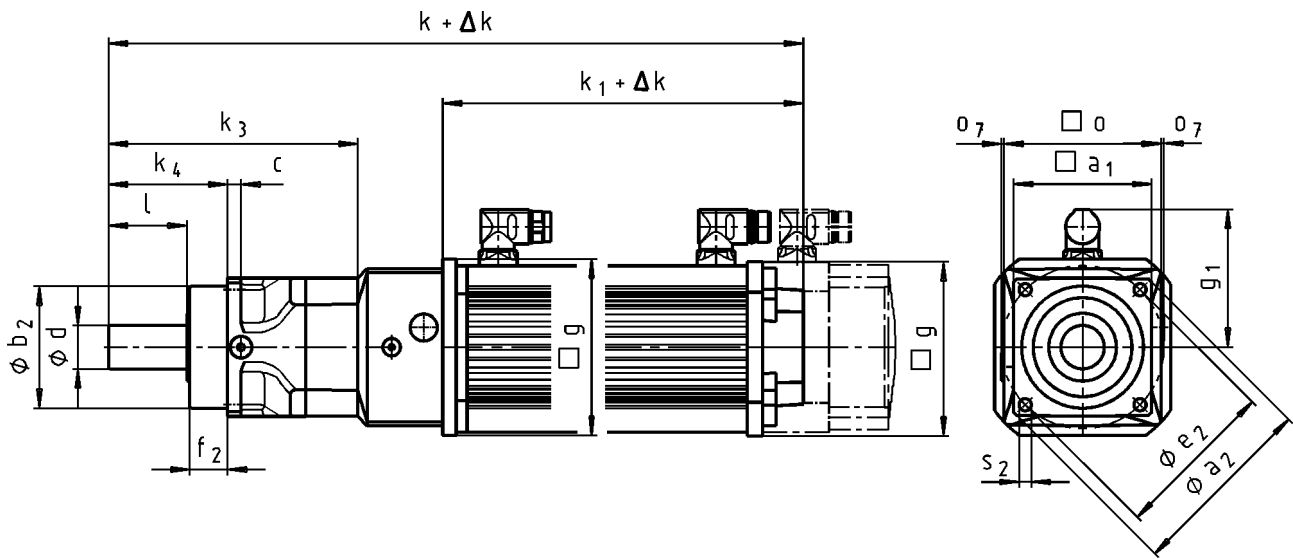
	k ₃			k ₄			o ₇			
GPA00...	94			48			2			
GPA01...	109			56						
GPA02...	146			88						
GPA03...	189			112			3			
GPA04...	213									
GPA05...	255			143						

	d	l	d ₂	a ₁	a ₂	b ₂	c ₂	e ₂	f ₂	s ₂
	k6					g6				4x90°
GPA00...	16	28	M5	65	80	60	6	68	18	5.5
GPA01...	22	36	M8	80	100	70	7	85		6.6
GPA02...	32	58	M12	102	140	90	10	120	28	9
GPA03...	40	82	M16	142	188	130	12	165		11
GPA04...	55		M20	182	250	160	15	215	27	13
GPA05...	75	105		212	290	180	17	250	35	17



GPA [mm]

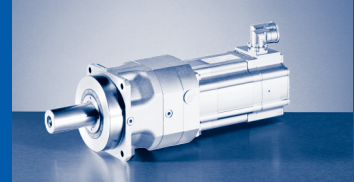
GPA□□-2A (MCA)



GPA□□-2A GCN ... RSO

		10I N40 ...S00	13I N41 ...S00	13I N34 ...F10	14L N20 ...S00	14L N41 ...S00	14L N16 ...F10	14L N35 ...F10	17N N23 ...S00	17N N41 ...S00
GPA01...	o	89								
	k	443								
GPA02...	o	102	116							
	k	498	507	575						
GPA03...	o					142				
	k		571	639	602	664		640		
...RSO B0 ¹⁾	Δk	0								
...RSO P□ ¹⁾	Δk	25	35		33				35	
	k_1	262	271	339	302		364		340	
	g	102	131		142				165	
	g_1	90	102		109				118	

¹⁾ → 803 - SRS/SRM/ECN/EQN/EQI/S20/T20/CDD



GPA□□-2A GCN ... RSO

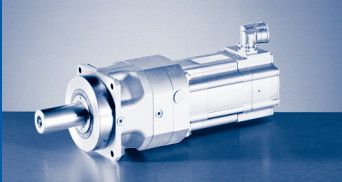
		17N N17 ...F10	17N N35 ...F10	19S N23 ...S00	19S N42 ...S00	19S N17 ...F10	19S N35 ...F10	21X N25 ...S00	21X N42 ...S00	21X N17 ...F10	21X N35 ...F10
GPA03...	o	142									
	k	729									
GPA04...	o			192							
	k			739	836						
GPA05...	o					212					
	k			829	926		898		994		
...RSO B0 ¹⁾	Δ k			0							
...RSO P□ ¹⁾	Δ k	35		38		42					
	k ₁	429		401		498		470		566	
	g	165		192		214					
	g ₁	118		161		172					

¹⁾ →  803 - SRS/SRM/ECN/EQN/EQI/S20/T20/CDD

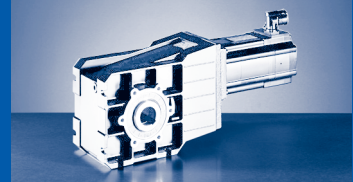
GPA□□-2A GCN

	k ₃			k ₄			o ₇			
GPA01...	142			56			2			
GPA02...	184			88						
GPA03...	237			112			3			
GPA04...	261									
GPA05...	334			143						

	d	l	d ₂	a ₁	a ₂	b ₂	c ₂	e ₂	f ₂	s ₂
	k6					g6				4x90°
GPA01...	22	36	M8	80	100	70	7	85	18	6.6
GPA02...	32	58	M12	102	140	90	10	120	28	9
GPA03...	40	82	M16	142	188	130	12	165		11
GPA04...	55		M20	182	250	160	15	215	27	13
GPA05...	75	105		212	290	180	17	250	35	17



GPA [mm]
GPA□□-2A (MCA)



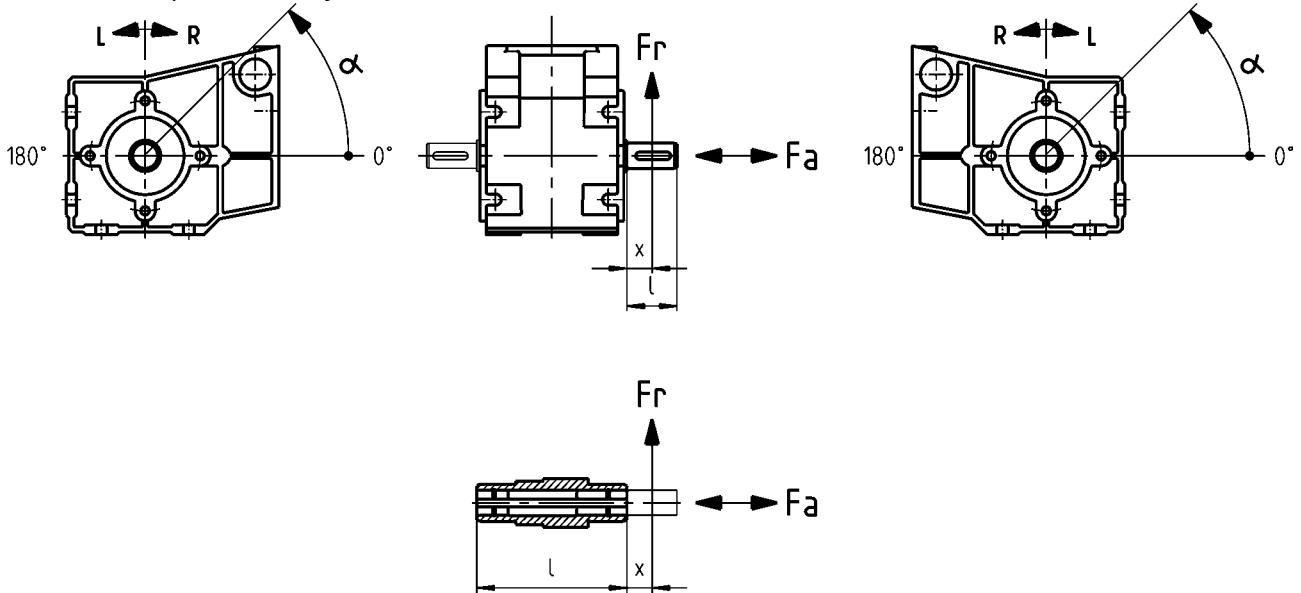
Permissible radial force

$$Fr_{zul} = \min(f_w \times f_{\alpha} \times Fr_{Tab}; f_w \times Fr_{max})$$

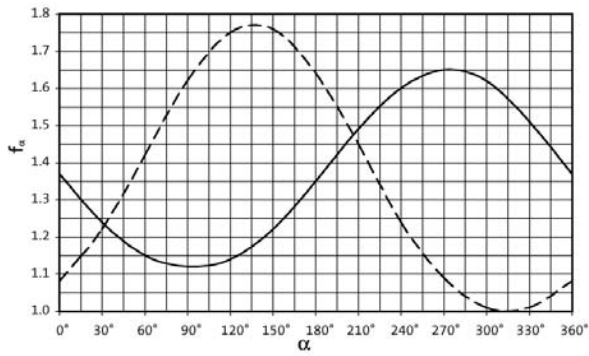
Permissible axial force

$$Fa_{zul} = Fa_{Tab} \text{ at } Fr = 0$$

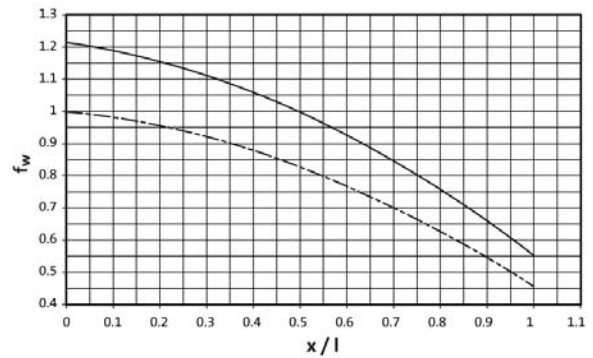
At Fr and $Fa \neq 0$ please contact your Lenze sales office.



Effective direction factor f_{α} at output shaft

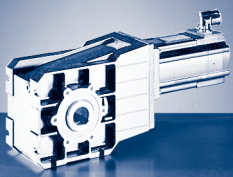


Additional load factor f_w at output shaft



—— Direction of rotation R
 - - - Direction of rotation L

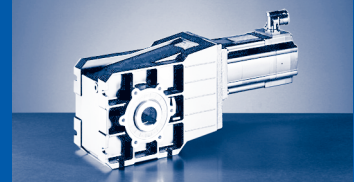
—— Solid shaft (V□□)
 - - - Hollow shaft (H□□)



GKR [N]

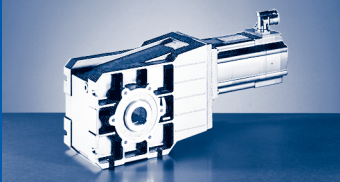
Solid shaft without flange (V□R)								
Application of force F_r : centre of shaft journal ($x = l/2$)								
$F_{a_{Tab}}$ only valid for $F_r = 0$								
	GKR03-2		GKR04-2		GKR05-2		GKR06-2	
n_2 [r/min]	$F_{r_{Tab}}$ [N]	$F_{a_{Tab}}$ [N]	$F_{r_{Tab}}$ [N]	$F_{a_{Tab}}$ [N]	$F_{r_{Tab}}$ [N]	$F_{a_{Tab}}$ [N]	$F_{r_{Tab}}$ [N]	$F_{a_{Tab}}$ [N]
1000	900	600	1000	700	1500	1100	2000	1500
630	1200	800	1800	1000	2350	1520	2800	2000
400	1800	1000	2100	1275	3000	1900	4000	2500
250	2100	1100	2500	1500	3600	2200	4200	2600
160	2400	1250	2700	1650	4500	2500	4500	2750
100	2800	1400	3000	1800	5000	3100	5600	3500
63	3000	1400	3000	1800	6000	3700	7300	4500
40	3000	1400	3000	1800	6500	3900	8600	5000
25	3000	1400	3000	1800	6500	3900	9000	5000
≤ 16	3000	1400	3000	1800	6500	3900	9000	5000
$F_{r_{max}}$	3000	-	3000	-	6500	-	9000	-

Solid shaft with flange (V□K)								
Application of force F_r : centre of shaft journal ($x = l/2$)								
$F_{a_{Tab}}$ only valid for $F_r = 0$								
	GKR03-2		GKR04-2		GKR05-2		GKR06-2	
n_2 [r/min]	$F_{r_{Tab}}$ [N]	$F_{a_{Tab}}$ [N]	$F_{r_{Tab}}$ [N]	$F_{a_{Tab}}$ [N]	$F_{r_{Tab}}$ [N]	$F_{a_{Tab}}$ [N]	$F_{r_{Tab}}$ [N]	$F_{a_{Tab}}$ [N]
1000	900	600	1000	700	2400	1100	3000	1500
630	1200	800	1800	1000	3600	1500	4000	2000
400	1800	1000	2100	1275	5200	1900	5500	2500
250	2100	1100	2500	1500	6000	2200	6200	2600
160	2400	1250	2700	1650	6500	2500	7000	2750
100	2800	1400	3000	1800	6500	3100	9000	3500
63	3000	1400	3000	1800	6500	3700	9000	4500
40	3000	1400	3000	1800	6500	3900	9000	5000
25	3000	1400	3000	1800	6500	3900	9000	5000
≤ 16	3000	1400	3000	1800	6500	3900	9000	5000
$F_{r_{max}}$	3000	-	3000	-	6500	-	9000	-



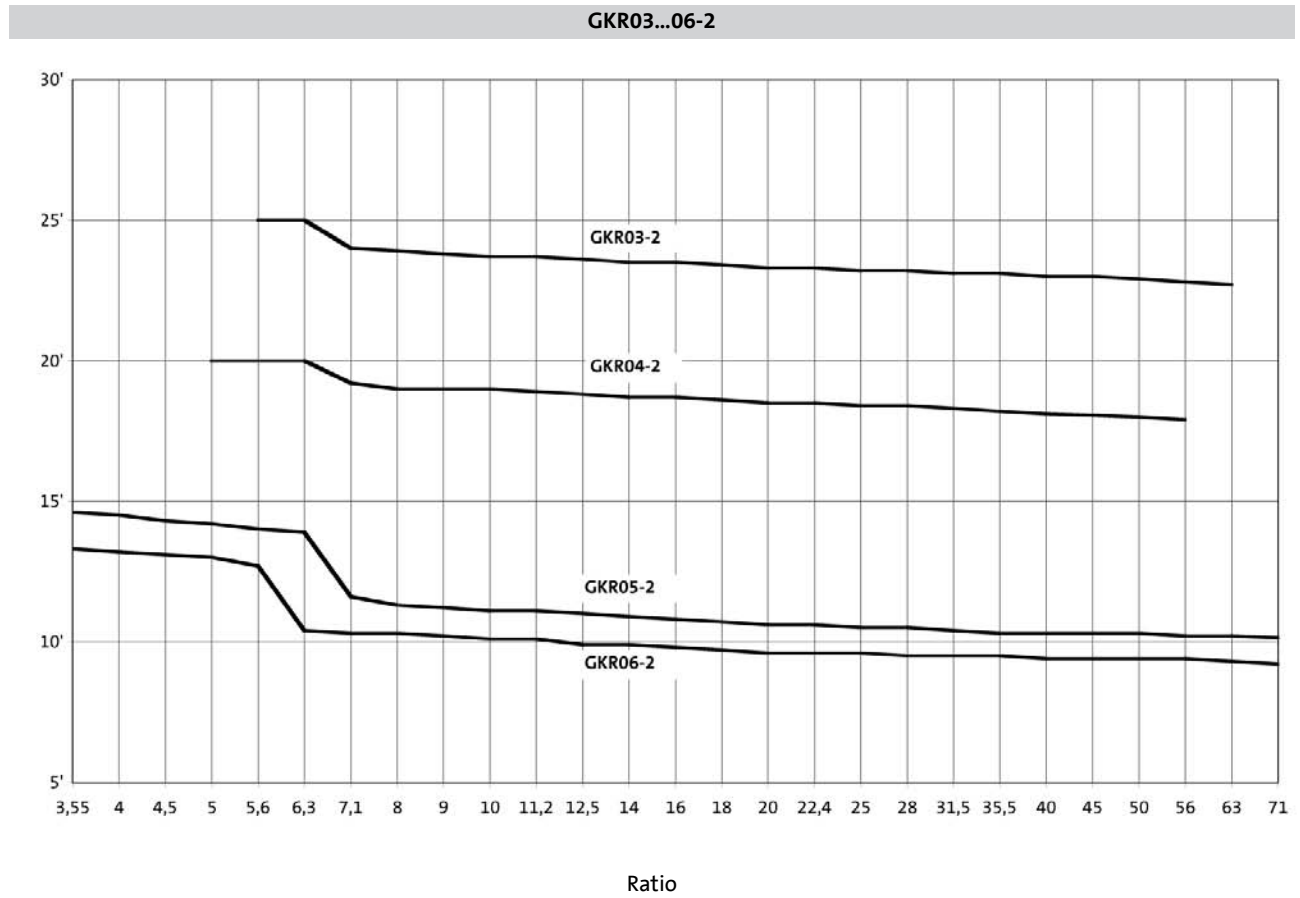
Hollow shaft (H□□)								
Application of force F_r : on hollow shaft end face ($x = 0$)								
$F_{a_{Tab}}$ only valid for $F_r = 0$								
	GKR03-2		GKR04-2		GKR05-2		GKR06-2	
n_2 [r/min]	$F_{r_{Tab}}$ [N]	$F_{a_{Tab}}$ [N]	$F_{r_{Tab}}$ [N]	$F_{a_{Tab}}$ [N]	$F_{r_{Tab}}$ [N]	$F_{a_{Tab}}$ [N]	$F_{r_{Tab}}$ [N]	$F_{a_{Tab}}$ [N]
1000	900	600	1000	700	1500	1100	3000	1500
630	1200	800	2200	1000	2250	1500	3800	2000
400	2200	1000	2550	1275	3800	1900	5000	2500
250	2500	1100	3000	1500	4500	2200	5200	2600
160	2800	1250	3300	1650	5100	2500	5500	2750
100	3000	1400	3600	1800	6200	3100	7000	3500
63	3000	1400	3600	1800	7400	3700	9000	4500
40	3000	1400	3600	1800	7800	3900	10000	5000
25	3000	1400	3600	1800	7800	3900	10000	5000
≤ 16	3000	1400	3600	1800	7800	3900	10000	5000
$F_{r_{max}}$	3000	-	3600	-	7800	-	10000	-

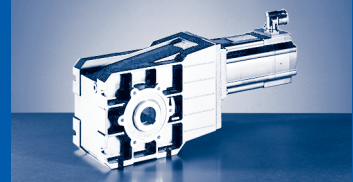
- ▶ Neither radial nor axial forces are permissible for the hollow shaft with shrink disc (S□□).



GKR [']

Output backlash in angular minutes



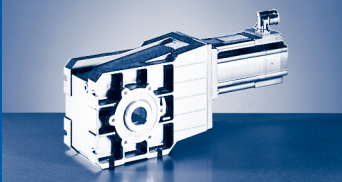


Position of ventilation

GKR06

Mounting position		
A	B	C
Mounting position		
D	E	F

⊗ Ventilation



GKR [kg]

GKR□□-2S HAR/HBR...RSO B0

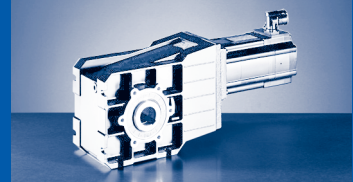
	06C C41	06F C41	06I C41	09D C41	09F C38	09H C41	09L C41	12D C20	12D C41	12H C15	12H C30	12H C35	12L C20	12L C41
GKR03...	5	6	7											
GKR04...	7	8		10	11	12	14							
GKR05...	10	11	12	13	14	15		17			20			23
GKR06...	19	20		22	23	24	26	25			28			31
	14D C15	14D C36	14H C15	14H C32	14L C15	14L C32	14L C15	14L C32	14P C14	14P C32				
GKR06...	30			35			39			44				

GKR□□-2A HAR/HBR...RSO B0

	10I C40 ...S00	13I C41 ...S00	13I C34 ...F10	14L C20 ...S00	14L C41 ...S00	14L C16 ...F10	14L C35 ...F10	17N C23 ...S00	17N C41 ...S00	17N C17 ...F10	17N C35 ...F10
GKR04...	11	16	17								
GKR05...	16	20	21	26		27					
GKR06...	24	28	29	34		36		42		44	

Note additional weights.

Weights in [kg] with oil capacity for mounting position A, all given as approximate values



Additional weights MCS servo motors

	06C C41	06F C41	06I C41	09D C41	09F C38	09H C41	09L C41	12D C20	12D C41	12H C15	12H C30	12H C35	12L C20	12L C41
...P1	0.3			0.8			0.9							
...P2				0.5			1.2							
...SCS/SCM/SRM/SRS ...ECN/EQN	0.4			0.2			0.3							

	14D C15	14D C36	14H C15	14H C32	14L C15	14L C32	14P C14	14P C32
...P1	1.9							
...P2	3.1							
...SCS/SCM/SRM/SRS ...ECN/EQN	0.3							

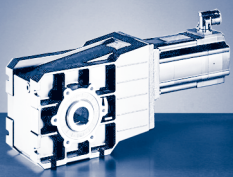
Additional weights MCA servo motors

	10I C40 ...S00	13I C41 ...S00	13I C34 ...F10	14L C20 ...S00	14L C41 ...S00	14L C16 ...F10	14L C35 ...F10	17N C23 ...S00	17N C41 ...S00	17N C17 ...F10	17N C35 ...F10	
...P1/P5								2.4				
...P2/P6	0.8	1.4		1.5								
...CDD ...ECN/EQN/EQI ...SCS/SCM/SRM/SRS/S20 ...T20	0.3	0.5		0.6			0.7					

Additional weights gearbox

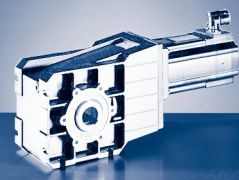
	Solid shaft	2nd output shaft end	Hollow shaft with shrink disc	Flange	Threaded hole circle torque plate	Casing foot torque plate
	V□□	V□□	S□□	□□K		
GKR03...	0.2	0.1	0.3	0.4	0.3	
GKR04...	0.3			0.5	0.4	
GKR05...	1	0.3	0.8	1	1.3	2
GKR06...	1.7	0.5	1		2.1	3.7

Weights in [kg]



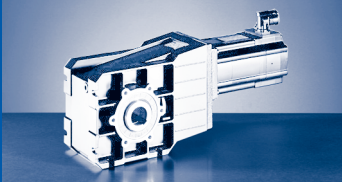
► $i_g = z_g / z_t$

	i	z_g	z_t
GKR03-2	5.411	1120	207
	6.222	1288	
	7.111	1600	
	8.178	1840	
	9.101	1720	
	10.466	1978	189
	11.640	2200	
	13.386	2530	
	15.111	2040	
	17.378	2346	
	19.365	2440	126
	22.270	2806	
	25.051	2480	
	28.808	2852	
	32.593	2640	
	37.481	3036	81
	42.222	3800	
	48.556	4370	
	53.889	3880	
	61.972	4462	
GKR04-2	5.185	1400	270
	5.963	1610	
	7.111	1600	
	8.178	1840	
	9.101	1720	
	10.466	1978	189
	11.449	2576	
	12.698	2400	
	14.603	2760	
	15.556	2520	
	17.889	2898	162
	19.556	2640	
	22.489	3036	
	25.185	2720	
	28.963	3128	
	31.919	3160	99
	36.707	3634	
	40.000	3240	
	46.000	3726	
	52.698	3320	
60.603	3818	63	
3.565	1925		540
4.889	2200		
6.257	2365		
6.883	2065		

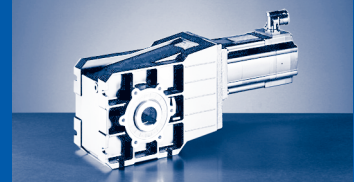


$$\triangleright i_g = z_g / z_t$$

	i	z_g	z_t
GKR05-2	7.817	2345	300
	9.440	2360	250
	10.720	2680	
	12.081	2537	210
	13.216	3304	250
	13.719	2881	210
	15.008	3752	250
	16.857	3540	210
	19.143	4020	
	20.650	3717	180
	23.450	4221	
	26.878	4838	
	30.522	5494	
	33.433	4012	120
	37.967	4556	
	43.267	5192	
	49.133	5896	
	52.510	5251	100
	59.630	5963	
	67.113	5369	80
76.213	6097		
GKR06-2	3.431	1750	510
	4.706	2000	425
	6.022	2150	357
	6.481	1750	270
	7.146	1715	240
	8.889	2000	225
	9.800	1960	200
	11.376	2150	189
	12.444	2800	225
	13.720	2744	200
	15.873	3000	189
	17.500	2940	168
	19.444	3150	162
	21.438	3087	144
	25.309	4100	162
	27.903	4018	144
	31.481	3400	108
	34.708	3332	96
	40.741	4400	108
	44.917	4312	96
49.444	4450	90	
54.513	4361	80	
62.500	4500	72	
68.906	4410	64	



GKR [i]

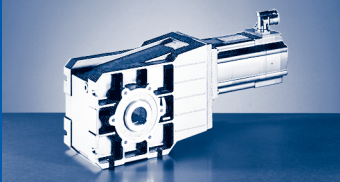


$M_{2GN} \leq 45 \text{ Nm}$

GKR03-2S				06CC41	06FC41	06IC41
				...500	...500	...500
i	M_{2GN}	J_G	M_1			
			n_1	4050	4050	4050
			I_{M230}	2.6	2.9	3.2
			I_{M400}	1.3	1.5	1.6
			P_N	0.25	0.51	0.64
			J_M	0.17	0.25	0.33
5.411	39	0.31	M_2		6	8
			c		4.6	3.7
			n_2 Eck		749	749
			n_2 th		749	749
6.222	41	0.28	M_2		7	9
			c		4.1	3.3
			n_2 Eck		651	651
			n_2 th		651	651
7.111	43	0.20	M_2		8	10
			c		3.8	3.1
			n_2 Eck		570	570
			n_2 th		570	570
8.178	44	0.18	M_2		9	11
			c		3.4	2.7
			n_2 Eck		495	495
			n_2 th		495	495
9.101	45	0.13	M_2		10	13
			c		3.1	2.5
			n_2 Eck		445	445
			n_2 th		445	445
10.466	45	0.12	M_2	6	12	15
			c	5.4	2.7	2.2
			n_2 Eck	387	387	387
			n_2 th	387	387	387
11.640	45	0.09	M_2	6	13	16
			c	4.9	2.4	2.0
			n_2 Eck	348	348	348
			n_2 th	348	348	348
13.386	45	0.08	M_2	7	15	19
			c	4.2	2.1	1.7
			n_2 Eck	303	303	303
			n_2 th	303	303	303
15.111	45	0.06	M_2	8	17	21
			c	3.8	1.9	1.5
			n_2 Eck	268	268	268
			n_2 th	268	268	268
17.378	45	0.06	M_2	10	20	25
			c	3.3	1.6	1.3
			n_2 Eck	233	233	233
			n_2 th	233	233	233
19.365	45	0.04	M_2	11	22	28
			c	2.9	1.5	1.2
			n_2 Eck	209	209	209
			n_2 th	209	209	209
22.270	45	0.05	M_2	12	25	32
			c	2.6	1.3	1.0
			n_2 Eck	182	182	182
			n_2 th	182	182	182
25.051	45	0.03	M_2	14	28	36
			c	2.6	1.3	1.0
			n_2 Eck	162	162	162
			n_2 th	162	162	162

$M \dots$ [Nm]
 $n \dots$ [r/min]
 $J \dots$ [kgcm²]

$P \dots$ [kW]
 $I \dots$ [A]
 $i [-]$
 $c [-]$



GKR [Nm]

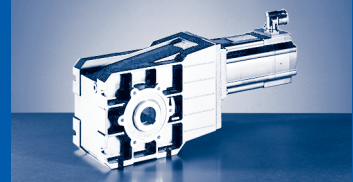
GKR□□-2S (MCS)

$M_{2GN} \leq 45 \text{ Nm}$

GKR03-2S				06CC41	06FC41	06IC41
				...S00	...S00	...S00
i	M_{2GN}	J_G	M_1	0.60	1.20	1.50
			n_1	4050	4050	4050
			I_{M230}	2.6	2.9	3.2
			I_{M400}	1.3	1.5	1.6
			P_N	0.25	0.51	0.64
			J_M	0.17	0.25	0.33
28.808	45	0.02	M_2	16	33	
			c	2.2	1.1	
			$n_{2 \text{ Eck}}$	141	141	
			$n_{2 \text{ th}}$	141	141	
32.593	45	0.02	M_2	18		
			c	2.0		
			$n_{2 \text{ Eck}}$	124		
			$n_{2 \text{ th}}$	124		
37.481	45	0.02	M_2	21		
			c	1.7		
			$n_{2 \text{ Eck}}$	108		
			$n_{2 \text{ th}}$	108		

M ... [Nm]
 n ... [r/min]
 J ... [kgcm²]

P ... [kW]
 I ... [A]
 i [-]
 c [-]

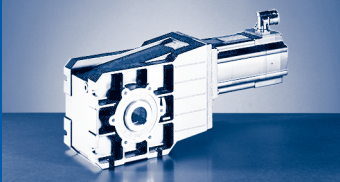


$M_{2GN} \leq 90 \text{ Nm}$

GKR04-2S				06CC41	06FC41	06IC41	09DC41	09FC38	09HC41	09LC41
				...500	...500	...500	...500	...500	...500	...500
i	M_{2GN}	J_G	M_1	0.60	1.20	1.50	2.30	3.10	3.80	4.50
			n_1	4050	4050	4050	4050	3750	4050	4050
			I_{M230}	2.6	2.9	3.2	4.6	5.0	6.8	8.4
			I_{M400}	1.3	1.5	1.6	2.3	2.5	3.4	4.2
			P_N	0.25	0.51	0.64	1.00	1.20	1.60	1.90
			J_M	0.17	0.25	0.33	1.13	1.53	1.93	2.83
5.185	69	0.81	M_2				11	15	18	22
			c			4.4	3.3	2.6	2.2	
			$n_{2 \text{ Eck}}$			781	723	781	781	
			$n_{2 \text{ th}}$			679	645	617	596	
5.963	72	0.72	M_2				13	17	21	25
			c			4.0	3.0	2.4	2.0	
			$n_{2 \text{ Eck}}$			679	629	679	679	
			$n_{2 \text{ th}}$			581	551	527	509	
7.111	78	0.45	M_2			10	15	21	25	30
			c			5.5	3.6	2.7	2.2	1.8
			$n_{2 \text{ Eck}}$			570	570	527	570	570
			$n_{2 \text{ th}}$			569	530	506	485	459
8.178	81	0.41	M_2			11	17	24	29	35
			c			5.0	3.3	2.5	2.0	1.7
			$n_{2 \text{ Eck}}$			495	495	459	495	495
			$n_{2 \text{ th}}$			487	454	432	415	382
9.101	84	3.27	M_2		10	12	19	26	33	39
			c		5.8	4.7	3.1	2.3	1.9	1.6
			$n_{2 \text{ Eck}}$		445	445	445	412	445	445
			$n_{2 \text{ th}}$		445	445	445	412	425	389
10.466	89	0.30	M_2		11	14	22	30	38	45
			c		5.3	4.3	2.8	2.1	1.7	1.4
			$n_{2 \text{ Eck}}$		387	387	387	358	387	387
			$n_{2 \text{ th}}$		387	387	387	358	352	324
11.449	90	0.26	M_2		13	16	25	33	41	49
			c		5.0	4.0	2.6	2.0	1.6	1.3
			$n_{2 \text{ Eck}}$		354	354	354	328	354	354
			$n_{2 \text{ th}}$		354	354	354	328	324	300
12.698	90	1.99	M_2		14	18	27	37	46	54
			c		4.5	3.6	2.3	1.8	1.4	1.2
			$n_{2 \text{ Eck}}$		319	319	319	295	319	319
			$n_{2 \text{ th}}$		319	319	319	295	318	299
14.603	90	0.18	M_2		16	20	32	43	53	62
			c		3.9	3.1	2.0	1.5	1.2	1.0
			$n_{2 \text{ Eck}}$		277	277	277	257	277	277
			$n_{2 \text{ th}}$		277	277	277	257	263	248
15.556	90	1.47	M_2		17	22	34	46	56	
			c		3.7	2.9	1.9	1.5	1.2	
			$n_{2 \text{ Eck}}$		260	260	260	241	260	
			$n_{2 \text{ th}}$		260	260	260	241	260	
17.889	90	0.14	M_2		20	25	39	53	65	
			c		3.2	2.5	1.7	1.3	1.0	
			$n_{2 \text{ Eck}}$		226	226	226	210	226	
			$n_{2 \text{ th}}$		226	226	226	210	226	
19.556	90	0.10	M_2	11	22	27				
			c	5.8	2.9	2.3				
			$n_{2 \text{ Eck}}$	207	207	207				
			$n_{2 \text{ th}}$	207	207	207				
22.489	90	0.09	M_2	12	25	32				
			c	5.0	2.5	2.0				
			$n_{2 \text{ Eck}}$	180	180	180				
			$n_{2 \text{ th}}$	180	180	180				

$M \dots$ [Nm]
 $n \dots$ [r/min]
 $J \dots$ [kgcm²]

$P \dots$ [kW]
 $I \dots$ [A]
 i [-]
 c [-]



GKR [Nm]

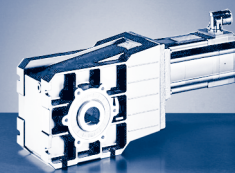
GKR□□-2S (MCS)

$M_{2GN} \leq 90 \text{ Nm}$

GKR04-2S				06CC41	06FC41	06IC41	09DC41	09FC38	09HC41	09LC41
				...500	...500	...500	...500	...500	...500	...500
i	M_{2GN}	J_G	M_1	0.60	1.20	1.50	2.30	3.10	3.80	4.50
			n_1	4050	4050	4050	4050	3750	4050	4050
			I_{M230}	2.6	2.9	3.2	4.6	5.0	6.8	8.4
			I_{M400}	1.3	1.5	1.6	2.3	2.5	3.4	4.2
			P_N	0.25	0.51	0.64	1.00	1.20	1.60	1.90
			J_M	0.17	0.25	0.33	1.13	1.53	1.93	2.83
25.185	90	0.07	M_2	14	28	35				
			c	5.1	2.6	2.1				
			$n_{2 \text{ Eck}}$	161	161	161				
			$n_{2 \text{ th}}$	161	161	161				
28.963	90	0.06	M_2	16	33	41				
			c	4.5	2.2	1.8				
			$n_{2 \text{ Eck}}$	140	140	140				
			$n_{2 \text{ th}}$	140	140	140				

M ... [Nm]
 n ... [r/min]
 J ... [kgcm²]

P ... [kW]
 I ... [A]
 i [-]
 c [-]

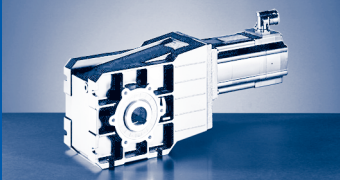


$M_{2GN} \leq 240 \text{ Nm}$

GKR05-2S				06FC41	06IC41	09DC41	09FC38	09HC41	09LC41	12DC20	12DC41	12HC15	12HC30	12HC35	12LC20
				...500	...500	...500	...500	...500	...500	...500	...500	...500	...500	...500	...500
i	M _{2GN}	J _G	M ₁	1.20	1.50	2.30	3.10	3.80	4.50	5.50	4.30	10.00	8.00	7.50	13.50
			n ₁	4050	4050	4050	3750	4050	4050	1950	4050	1500	3000	3525	1950
			I _{M 230}	2.9	3.2	4.6	5.0	6.8	8.4	5.2	8.8	7.6	10.5		11.8
			I _{M 400}	1.5	1.6	2.3	2.5	3.4	4.2	2.6	4.5	3.8		5.7	5.9
			P _N	0.51	0.64	1.00	1.20	1.60	1.90	1.10	1.80	1.60	2.50	2.80	2.80
			J _M	0.25	0.33	1.13	1.53	1.93	2.83	4.12	4.12	7.42	7.42	7.42	10.72
3.565	116	4.95	M ₂ c n ₂ Eck n ₂ th						15 5.4 1136 860						
3.565	138	4.95	M ₂ c n ₂ Eck n ₂ th									33 4.1 421 421	26 4.0 842 812		45 2.8 547 547
4.889	139	2.79	M ₂ c n ₂ Eck n ₂ th					17 5.7 828 739	20 4.8 828 717						
4.889	147	2.79	M ₂ c n ₂ Eck n ₂ th							24 5.3 399 399	19 5.3 828 730	45 3.2 307 307	36 3.1 614 614		62 2.1 399 399
6.257	150	1.79	M ₂ c n ₂ Eck n ₂ th				17 6.0 599 599	22 4.8 647 609	26 4.0 647 592						
6.257	156	1.79	M ₂ c n ₂ Eck n ₂ th							32 4.4 312 312	25 4.4 647 601	58 2.6 240 240	47 2.6 480 479		80 1.8 312 312
6.883	179	2.57	M ₂ c n ₂ Eck n ₂ th					24 5.2 588 441	28 4.4 588 427	35 4.6 283 283	27 4.6 588 431	64 2.7 218 218	51 2.7 436 388		87 1.9 283 283
7.817	187	2.32	M ₂ c n ₂ Eck n ₂ th				22 6.0 480 399	27 4.8 518 382	32 4.0 518 370	39 4.2 250 249	31 4.2 518 373	73 2.5 192 192	58 2.5 384 335		100 1.7 250 249
9.440	191	1.53	M ₂ c n ₂ Eck n ₂ th				27 5.1 397 375	33 4.0 429 359	39 3.4 429 348	48 3.5 207 207	38 3.6 429 351	89 2.1 159 159	71 2.1 318 316	66 2.1 373 316	121 1.4 207 207
10.720	204	1.40	M ₂ c n ₂ Eck n ₂ th				30 4.8 350 326	38 3.8 378 313	45 3.2 378 303	55 3.3 182 182	43 3.3 378 305	101 2.0 140 140	81 2.0 280 275	76 2.0 329 275	137 1.4 182 182
12.081	208	1.02	M ₂ c n ₂ Eck n ₂ th			25 5.7 335 325	34 4.3 310 310	42 3.4 335 298	51 2.9 335 289	62 3.0 161 161	48 3.0 335 292	114 1.8 124 124	91 1.8 248 248		155 1.2 161 161
13.216	214	0.87	M ₂ c n ₂ Eck n ₂ th			28 5.3 307 304	38 4.1 284 284	47 3.2 307 280	55 2.7 307 271	68 2.8 148 148	53 2.9 307 274	125 1.7 114 114	100 1.7 227 227		169 1.2 148 148
13.719	217	0.94	M ₂ c n ₂ Eck n ₂ th			29 5.2 295 282	39 4.0 273 269	48 3.1 295 259	58 2.7 295 251	70 2.8 142 142	55 2.8 295 253	129 1.7 109 109	104 1.7 219 216		176 1.1 142 142

M ... [Nm]
n ... [r/min]
J ... [kgcm²]

P ... [kW]
I ... [A]
i [-]
c [-]



GKR [Nm]

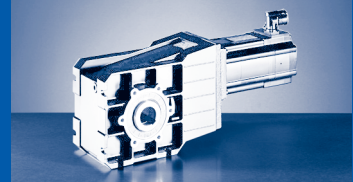
GKR□□-2S (MCS)

$M_{2GN} \leq 240 \text{ Nm}$

GKR05-2S				06FC41	06IC41	09DC41	09FC38	09HC41	09LC41	12DC20	12DC41	12HC15	12HC30	12HC35	12LC20		
				...S00	...S00	...S00	...S00	...S00	...S00	...S00	...S00	...S00	...S00	...S00	...S00		
i	M_{2GN}	J_G	M_1	1.20	1.50	2.30	3.10	3.80	4.50	5.50	4.30	10.00	8.00	7.50	13.50		
			n_1	4050	4050	4050	3750	4050	4050	1950	4050	1500	3000	3525	1950		
			I_{M230}	2.9	3.2	4.6	5.0	6.8	8.4	5.2	8.8	7.6	10.5		11.8		
			I_{M400}	1.5	1.6	2.3	2.5	3.4	4.2	2.6	4.5	3.8		5.7	5.9		
			P_N	0.51	0.64	1.00	1.20	1.60	1.90	1.10	1.80	1.60	2.50	2.80	2.80		
			J_M	0.25	0.33	1.13	1.53	1.93	2.83	4.12	4.12	7.42	7.42	7.42	10.72		
15.008	223	0.81	M_2			31	43	53	63	77	60	142	113		192		
			c			4.9	3.7	3.0	2.5	2.6	2.6	1.6	1.6		1.1		
			$n_{2\text{ Eck}}$			270	250	270	270	270	130	270	100	200		130	
			$n_{2\text{ th}}$			264	250	243	235	130	237	100	200		130		
16.857	240	0.60	M_2			35	48	60	71	87	68	159	127		216		
			c			4.7	3.6	2.8	2.4	2.5	2.5	1.5	1.5		1.0		
			$n_{2\text{ Eck}}$			240	223	240	240	116	240	89	178		116		
			$n_{2\text{ th}}$			240	222	240	240	116	240	89	178		116		
19.143	240	0.55	M_2			40	55	68	81	99	77	181	145				
			c			4.1	3.1	2.5	2.1	2.2	2.2	1.3	1.3				
			$n_{2\text{ Eck}}$			212	196	212	212	102	212	78	157				
			$n_{2\text{ th}}$			212	196	212	212	102	212	78	157				
20.650	231	0.44	M_2		28												
			c		5.7												
			$n_{2\text{ Eck}}$		196												
			$n_{2\text{ th}}$		196												
20.650	240	0.44	M_2			44	60	74	87	107	83	196	157	147			
			c			3.8	2.9	2.3	2.0	2.0	1.2	1.2	1.2	1.2			
			$n_{2\text{ Eck}}$			196	182	196	196	94	196	73	145	171			
			$n_{2\text{ th}}$			196	182	196	196	94	196	73	145	171			
23.450	240	0.41	M_2		32	50	68	84	99	122	95	223	178	167			
			c		5.2	3.4	2.6	2.0	1.7	1.8	1.8	1.1	1.1	1.1			
			$n_{2\text{ Eck}}$		173	173	160	173	173	83	173	64	128	150			
			$n_{2\text{ th}}$		173	173	160	173	173	83	173	64	128	147			
26.878	240	0.27	M_2		37	57	78	96	114								
			c		5.1	3.3	2.5	2.0	1.7								
			$n_{2\text{ Eck}}$		151	151	140	151	151								
			$n_{2\text{ th}}$		151	151	140	151	151								
30.522	240	0.25	M_2	33	42	65	89	109	130								
			c	5.6	4.5	2.9	2.2	1.8	1.5								
			$n_{2\text{ Eck}}$	133	133	133	123	133	133								
			$n_{2\text{ th}}$	133	133	133	123	133	133								
33.433	240	0.19	M_2	36	46	72	97	120	142								
			c	5.1	4.1	2.7	2.0	1.6	1.4								
			$n_{2\text{ Eck}}$	121	121	121	112	121	121								
			$n_{2\text{ th}}$	121	121	121	112	121	121								
37.967	240	0.18	M_2	42	53	82	111	136	162								
			c	4.5	3.6	2.4	1.8	1.4	1.2								
			$n_{2\text{ Eck}}$	107	107	107	99	107	107								
			$n_{2\text{ th}}$	107	107	107	99	107	107								
43.267	240	0.12	M_2	48	60												
			c	4.4	3.5												
			$n_{2\text{ Eck}}$	94	94												
			$n_{2\text{ th}}$	94	94												
49.133	240	0.11	M_2	54	68												
			c	3.9	3.1												
			$n_{2\text{ Eck}}$	82	82												
			$n_{2\text{ th}}$	82	82												
52.510	240	0.09	M_2	58	73												
			c	3.6	2.9												
			$n_{2\text{ Eck}}$	77	77												
			$n_{2\text{ th}}$	77	77												

$M \dots$ [Nm]
 $n \dots$ [r/min]
 $J \dots$ [kgcm²]

$P \dots$ [kW]
 $I \dots$ [A]
 $i \dots$ [-]
 $c \dots$ [-]

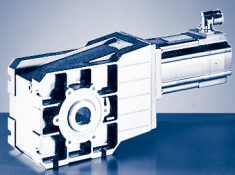


$M_{2GN} \leq 240 \text{ Nm}$

GKR05-2S				06FC41	06IC41	09DC41	09FC38	09HC41	09LC41	12DC20	12DC41	12HC15	12HC30	12HC35	12LC20	
				...500	...500	...500	...500	...500	...500	...500	...500	...500	...500	...500	...500	
i	M_{2GN}	J_G	M_1	1.20	1.50	2.30	3.10	3.80	4.50	5.50	4.30	10.00	8.00	7.50	13.50	
			n_1	4050	4050	4050	3750	4050	4050	1950	4050	1500	3000	3525	1950	
			I_{M230}	2.9	3.2	4.6	5.0	6.8	8.4	5.2	8.8	7.6	10.5		11.8	
			I_{M400}	1.5	1.6	2.3	2.5	3.4	4.2	2.6	4.5	3.8		5.7	5.9	
			P_N	0.51	0.64	1.00	1.20	1.60	1.90	1.10	1.80	1.60	2.50	2.80	2.80	
			J_M	0.25	0.33	1.13	1.53	1.93	2.83	4.12	4.12	7.42	7.42	7.42	10.72	
59.630	240	0.08	M_2	66	84											
			c	3.2	2.6											
			$n_{2 \text{ Eck}}$	68	68											
			$n_{2 \text{ th}}$	68	68											

M ... [Nm]
n ... [r/min]
J ... [kgcm²]

P ... [kW]
I ... [A]
i [-]
c [-]



GKR [Nm]

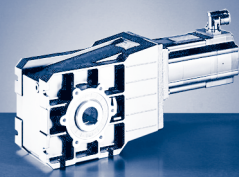
GKR□□-2S (MCS)

$M_{2GN} \leq 450 \text{ Nm}$

GKR06-2S				06FC41	06IC41	09DC41	09FC38	09HC41	09LC41	12DC20	12DC41	12HC15	12HC30
				...500	...500	...500	...500	...500	...500	...500	...500	...500	...500
i	M_{2GN}	J_G	M_1	1.20	1.50	2.30	3.10	3.80	4.50	5.50	4.30	10.00	8.00
			n_1	4050	4050	4050	3750	4050	4050	1950	4050	1500	3000
			I_{M230}	2.9	3.2	4.6	5.0	6.8	8.4	5.2	8.8	7.6	10.5
			I_{M400}	1.5	1.6	2.3	2.5	3.4	4.2	2.6	4.5	3.8	
			P_N	0.51	0.64	1.00	1.20	1.60	1.90	1.10	1.80	1.60	2.50
			J_M	0.25	0.33	1.13	1.53	1.93	2.83	4.12	4.12	7.42	7.42
3.431	188	9.58	M_2 c n_2 Eck n_2 th									31 5.8 437 437	25 5.7 874 765
3.431	200	9.58	M_2 c n_2 Eck n_2 th										
4.706	215	5.61	M_2 c n_2 Eck n_2 th									43 4.8 319 319	34 4.8 638 623
4.706	250	5.61	M_2 c n_2 Eck n_2 th										
6.022	179	3.66	M_2 c n_2 Eck n_2 th					21 5.9 673 586	25 5.0 673 568				
6.022	231	3.66	M_2 c n_2 Eck n_2 th									55 4.0 249 249	44 4.0 498 498
6.022	280	3.66	M_2 c n_2 Eck n_2 th										
6.481	350	5.11	M_2 c n_2 Eck n_2 th									59 5.7 231 231	47 5.6 463 404
7.146	348	4.54	M_2 c n_2 Eck n_2 th									65 5.1 210 210	52 5.1 420 359
8.889	405	3.23	M_2 c n_2 Eck n_2 th									81 4.8 169 169	65 4.8 338 330
8.889	408	3.23	M_2 c n_2 Eck n_2 th										
9.800	384	2.93	M_2 c n_2 Eck n_2 th									90 4.1 153 153	72 4.1 306 291
11.376	337	2.21	M_2 c n_2 Eck n_2 th					39 5.9 356 310	47 5.0 356 301				

$M \dots$ [Nm]
 $n \dots$ [r/min]
 $J \dots$ [kgcm²]

$P \dots$ [kW]
 $I \dots$ [A]
 i [-]
 c [-]

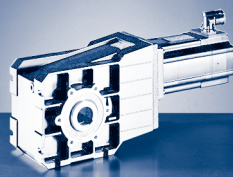


$M_{2GN} \leq 450 \text{ Nm}$

12HC35	12LC20	12LC41	14DC15	14DC36	14HC15	14HC32	14LC15	14LC32	14PC14	14PC32	GKR06-2S			
...500	...500	...500	...500	...500	...500	...500	...500	...500	...500	...500	M_1	J_G	M_{2GN}	i
7.50	13.50	11.00	9.20	7.50	16.00	14.00	23.00	17.20	30.00	21.00	n_1			
3525	1950	4050	1500	3600	1500	3225	1500	3225	1350	3225	I_{M230}			
	11.8										I_{M400}			
5.7	5.9	10.2	4.5	7.5	6.6	11.9	9.7	15.0	10.8	15.6	P_N			
2.80	2.80	4.70	1.45	2.80	2.50	4.70	3.60	5.80	4.20	7.10	J_M			
7.42	10.72	10.72	8.22	8.22	14.32	14.32	23.44	23.44	34.74	34.82	M_2 c	9.58	188	3.431
23	43	35												
5.8	3.9	3.8									M_2 c	9.58	200	3.431
1027	568	1180												
766	568	702									M_2 c	9.58	200	3.431
											M_2 c	5.61	215	4.706
32	59	48												
4.8	3.3	3.1									M_2 c	5.61	250	4.706
749	414	861												
625	414	573									M_2 c	5.61	250	4.706
											M_2 c	3.66	179	6.022
											M_2 c	3.66	231	6.022
42	76	62												
4.1	2.7	2.6									M_2 c	3.66	280	6.022
585	324	673												
546	324	501									M_2 c	3.66	280	6.022
											M_2 c	5.11	350	6.481
											M_2 c	4.54	348	7.146
											M_2 c	3.23	405	8.889
											M_2 c	3.23	408	8.889
											M_2 c	2.93	384	9.800
											M_2 c	2.21	337	11.376

M ... [Nm]
n ... [r/min]
J ... [kgcm²]

P ... [kW]
I ... [A]
i [-]
c [-]



GKR [Nm]

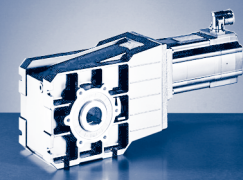
GKR□□-2S (MCS)

$M_{2GN} \leq 450 \text{ Nm}$

GKR06-2S				06FC41	06IC41	09DC41	09FC38	09HC41	09LC41	12DC20	12DC41	12HC15	12HC30	
				...500	...500	...500	...500	...500	...500	...500	...500	...500	...500	
i	M _{2GN}	J _G	M ₁	1.20	1.50	2.30	3.10	3.80	4.50	5.50	4.30	10.00	8.00	
			n ₁	4050	4050	4050	3750	4050	4050	1950	4050	1500	3000	
			I _{M230}	2.9	3.2	4.6	5.0	6.8	8.4	5.2	8.8	7.6	10.5	
			I _{M400}	1.5	1.6	2.3	2.5	3.4	4.2	2.6	4.5	3.8		
			P _N	0.51	0.64	1.00	1.20	1.60	1.90	1.10	1.80	1.60	2.50	
			J _M	0.25	0.33	1.13	1.53	1.93	2.83	4.12	4.12	7.42	7.42	
11.376	436	2.21	M ₂									105	84	
			c									4.0	4.0	
			n _{2 Eck}										132	264
			n _{2 th}										132	264
12.444	353	1.89	M ₂					43	51					
			c					5.6	4.8					
			n _{2 Eck}					326	326					
			n _{2 th}					290	282					
12.444	450	1.89	M ₂									115	92	
			c									3.8	3.8	
			n _{2 Eck}									121	241	
			n _{2 th}									121	241	
13.720	389	1.73	M ₂					47	56					
			c					5.6	4.8					
			n _{2 Eck}					295	295					
			n _{2 th}					263	255					
13.720	426	1.73	M ₂							68	53	127	102	
			c							5.5	5.5	3.3	3.2	
			n _{2 Eck}							142	295	109	219	
			n _{2 th}							142	262	109	219	
15.873	379	1.32	M ₂				44	55	66					
			c				6.0	4.8	4.0					
			n _{2 Eck}				236	255	255					
			n _{2 th}				236	242	236					
15.873	450	1.32	M ₂							79	62	148	118	
			c							5.0	5.0	3.0	3.0	
			n _{2 Eck}							123	255	95	189	
			n _{2 th}							123	244	95	189	
17.500	418	1.23	M ₂				49	61	72					
			c				6.0	4.8	4.0					
			n _{2 Eck}				214	231	231					
			n _{2 th}				214	220	214					
17.500	450	1.23	M ₂							88	69	163	131	
			c							4.5	4.5	2.7	2.7	
			n _{2 Eck}							111	231	86	171	
			n _{2 th}							111	218	86	171	
19.444	398	0.99	M ₂				55	68	81					
			c				5.1	4.1	3.4					
			n _{2 Eck}				193	208	208					
			n _{2 th}				193	208	208					
19.444	450	0.99	M ₂							98	77	182	146	
			c							4.1	4.1	2.4	2.4	
			n _{2 Eck}							100	208	77	154	
			n _{2 th}							100	208	77	154	
21.438	439	0.93	M ₂				60	75	89					
			c				5.1	4.1	3.4					
			n _{2 Eck}				175	189	189					
			n _{2 th}				175	189	189					
21.438	450	0.93	M ₂							109	85	201	161	
			c							3.7	3.7	2.2	2.2	
			n _{2 Eck}							91	189	70	140	
			n _{2 th}							91	189	70	140	

M ... [Nm]
n ... [r/min]
J ... [kgcm²]

P ... [kW]
I ... [A]
i [-]
c [-]

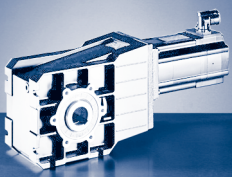


$M_{2GN} \leq 450 \text{ Nm}$

12HC35	12LC20	12LC41	14DC15	14DC36	14HC15	14HC32	14LC15	14LC32	14PC14	14PC32	GKR06-2S			
...500	...500	...500	...500	...500	...500	...500	...500	...500	...500	...500				
7.50	13.50	11.00	9.20	7.50	16.00	14.00	23.00	17.20	30.00	21.00	M_1	J_G	M_{2GN}	i
3525	1950	4050	1500	3600	1500	3225	1500	3225	1350	3225	n_1			
	11.8										I_{M230}			
5.7	5.9	10.2	4.5	7.5	6.6	11.9	9.7	15.0	10.8	15.6	I_{M400}			
2.80	2.80	4.70	1.45	2.80	2.50	4.70	3.60	5.80	4.20	7.10	P_N			
7.42	10.72	10.72	8.22	8.22	14.32	14.32	23.44	23.44	34.74	34.82	J_M			
78	143	117	96	78	170	149	247	184	323	226	M_2			
4.0	2.7	2.6	4.4	4.0	2.5	2.2	1.8	1.8	1.3	1.5	c	2.21	436	11.376
310	171	356	132	317	132	284	132	284	119	284	$n_{2\text{Eck}}$			
289	171	265	132	289	132	256	132	237	119	211	$n_{2\text{th}}$			
											M_2			
											c	1.89	353	12.444
											$n_{2\text{Eck}}$			
											$n_{2\text{th}}$			
86	157	128	105	86	186	164	270	202	354	247	M_2			
3.8	2.6	2.5	4.1	3.8	2.4	2.1	1.7	1.7	1.3	1.4	c	1.89	450	12.444
283	157	326	121	289	121	259	121	259	109	259	$n_{2\text{Eck}}$			
270	157	248	121	270	121	240	121	218	108	196	$n_{2\text{th}}$			
											M_2			
											c	1.73	389	13.720
											$n_{2\text{Eck}}$			
											$n_{2\text{th}}$			
95	174	142	117	95	206	181	298	223	391	273	M_2			
3.3	2.2	2.1	3.6	3.3	2.0	1.8	1.4	1.5	1.1	1.2	c	1.73	426	13.720
257	142	295	109	262	109	235	109	235	98	235	$n_{2\text{Eck}}$			
238	142	218	109	238	109	204	109	182	98	165	$n_{2\text{th}}$			
											M_2			
											c	1.32	379	15.873
											$n_{2\text{Eck}}$			
											$n_{2\text{th}}$			
111	201	164	135	111	239	210	346	258		316	M_2			
3.0	2.0	2.0	3.2	3.0	1.9	1.7	1.3	1.3		1.1	c	1.32	450	15.873
222	123	255	95	227	95	203	95	203		203	$n_{2\text{Eck}}$			
222	123	206	95	223	95	189	95	172		158	$n_{2\text{th}}$			
											M_2			
											c	1.23	418	17.500
											$n_{2\text{Eck}}$			
											$n_{2\text{th}}$			
122	222	181	150	122	264	232	382	285			M_2			
2.7	1.8	1.8	2.9	2.7	1.7	1.5	1.2	1.2			c	1.23	450	17.500
201	111	231	86	206	86	184	86	184			$n_{2\text{Eck}}$			
199	111	177	86	199	86	164	86	150			$n_{2\text{th}}$			
											M_2			
											c	0.99	398	19.444
											$n_{2\text{Eck}}$			
											$n_{2\text{th}}$			
136	248	202	167	136	294	258	425	317			M_2			
2.4	1.7	1.6	2.7	2.4	1.5	1.4	1.1	1.1			c	0.99	450	19.444
181	100	208	77	185	77	166	77	166			$n_{2\text{Eck}}$			
181	100	177	77	185	77	163	77	149			$n_{2\text{th}}$			
											M_2			
											c	0.93	439	21.438
											$n_{2\text{Eck}}$			
											$n_{2\text{th}}$			
151	274	223	185	151	325	284					M_2			
2.2	1.5	1.4	2.4	2.2	1.4	1.2					c	0.93	450	21.438
164	91	189	70	168	70	150					$n_{2\text{Eck}}$			
164	91	153	70	167	70	141					$n_{2\text{th}}$			

M ... [Nm]
n ... [r/min]
J ... [kgcm²]

P ... [kW]
I ... [A]
i [-]
c [-]



GKR [Nm]

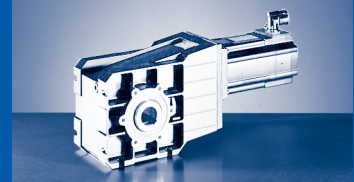
GKR□□-2S (MCS)

$M_{2GN} \leq 450 \text{ Nm}$

GKR06-2S				06FC41	06IC41	09DC41	09FC38	09HC41	09LC41	12DC20	12DC41	12HC15	12HC30
				...500	...500	...500	...500	...500	...500	...500	...500	...500	...500
i	M_{2GN}	J_G	M_1	1.20	1.50	2.30	3.10	3.80	4.50	5.50	4.30	10.00	8.00
			n_1	4050	4050	4050	3750	4050	4050	1950	4050	1500	3000
			I_{M230}	2.9	3.2	4.6	5.0	6.8	8.4	5.2	8.8	7.6	10.5
			I_{M400}	1.5	1.6	2.3	2.5	3.4	4.2	2.6	4.5	3.8	
			P_N	0.51	0.64	1.00	1.20	1.60	1.90	1.10	1.80	1.60	2.50
			J_M	0.25	0.33	1.13	1.53	1.93	2.83	4.12	4.12	7.42	7.42
25.309	416	0.63	M_2				72	89	106				
			c				4.7	3.7	3.1				
			n_2 Eck				148	160	160				
			n_2 th				148	160	160				
25.309	450	0.63	M_2							129	101	238	190
			c							3.4	3.6	1.9	2.1
			n_2 Eck							77	160	59	119
			n_2 th							77	160	59	119
27.903	450	0.59	M_2				79	98	117	143	111	263	210
			c				4.6	3.7	3.1	3.1	3.2	1.7	1.9
			n_2 Eck				134	145	145	70	145	54	108
			n_2 th				134	145	145	70	145	54	108
31.481	291	0.46	M_2		43								
			c		5.3								
			n_2 Eck		129								
			n_2 th		129								
31.481	431	0.46	M_2			66	90	111	132				
			c			5.1	3.9	3.1	2.6				
			n_2 Eck			129	119	129	129				
			n_2 th			129	119	129	129				
31.481	450	0.46	M_2							161	126	297	238
			c							2.7	2.9	1.5	1.7
			n_2 Eck							62	129	48	95
			n_2 th							62	129	48	95
34.708	321	0.43	M_2		47								
			c		5.3								
			n_2 Eck		117								
			n_2 th		117								
34.708	450	0.43	M_2			73	99	123	146	179	139	328	262
			c			4.8	3.7	2.9	2.5	2.5	2.6	1.4	1.5
			n_2 Eck			117	108	117	117	56	117	43	86
			n_2 th			117	108	117	117	56	117	43	86
40.741	302	0.28	M_2	44	56								
			c	5.9	4.7								
			n_2 Eck	99	99								
			n_2 th	99	99								
40.741	447	0.28	M_2			86	117	144	172				
			c			4.5	3.5	2.8	2.3				
			n_2 Eck			99	92	99	99				
			n_2 th			99	92	99	99				
44.917	333	0.27	M_2	49	62								
			c	5.9	4.7								
			n_2 Eck	90	90								
			n_2 th	90	90								
44.917	450	0.27	M_2			95	129	160	190				
			c			4.2	3.2	2.5	2.1				
			n_2 Eck			90	84	90	90				
			n_2 th			90	83	90	90				
49.444	306	0.21	M_2	54	68								
			c	4.9	3.9								
			n_2 Eck	82	82								
			n_2 th	82	82								

M ... [Nm]
 n ... [r/min]
 J ... [kgcm²]

P ... [kW]
 I ... [A]
 i [-]
 c [-]

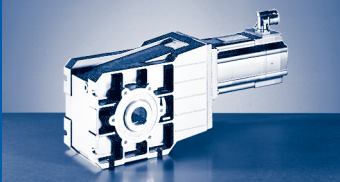


$M_{2GN} \leq 450 \text{ Nm}$

12HC35	12LC20	12LC41	14DC15	14DC36	14HC15	14HC32	14LC15	14LC32	14PC14	14PC32	GKR06-2S			
...500	...500	...500	...500	...500	...500	...500	...500	...500	...500	...500	M_1	J_G	M_{2GN}	i
7.50	13.50	11.00	9.20	7.50	16.00	14.00	23.00	17.20	30.00	21.00	n_1			
3525	1950	4050	1500	3600	1500	3225	1500	3225	1350	3225	I_{M230}			
	11.8										I_{M400}			
5.7	5.9	10.2	4.5	7.5	6.6	11.9	9.7	15.0	10.8	15.6	P_N			
2.80	2.80	4.70	1.45	2.80	2.50	4.70	3.60	5.80	4.20	7.10	J_M			
7.42	10.72	10.72	8.22	8.22	14.32	14.32	23.44	23.44	34.74	34.82	M_2			
											c	0.63	416	25.309
											$n_{2 \text{ Eck}}$			
											$n_{2 \text{ th}}$			
178	323	263									M_2			
2.1	1.4	1.4									c	0.63	450	25.309
139	77	160									$n_{2 \text{ Eck}}$			
139	77	150									$n_{2 \text{ th}}$			
197	357	291									M_2			
1.9	1.3	1.3									c	0.59	450	27.903
126	70	145									$n_{2 \text{ Eck}}$			
126	70	130									$n_{2 \text{ th}}$			
											M_2			
											c	0.46	291	31.481
											$n_{2 \text{ Eck}}$			
											$n_{2 \text{ th}}$			
											M_2			
											c	0.46	431	31.481
											$n_{2 \text{ Eck}}$			
											$n_{2 \text{ th}}$			
223	403	329									M_2			
1.7	1.1	1.1									c	0.46	450	31.481
112	62	129									$n_{2 \text{ Eck}}$			
112	62	129									$n_{2 \text{ th}}$			
											M_2			
											c	0.43	321	34.708
											$n_{2 \text{ Eck}}$			
											$n_{2 \text{ th}}$			
246	445	363									M_2			
1.6	1.0	1.0									c	0.43	450	34.708
102	56	117									$n_{2 \text{ Eck}}$			
102	56	114									$n_{2 \text{ th}}$			
											M_2			
											c	0.28	302	40.741
											$n_{2 \text{ Eck}}$			
											$n_{2 \text{ th}}$			
											M_2			
											c	0.28	447	40.741
											$n_{2 \text{ Eck}}$			
											$n_{2 \text{ th}}$			
											M_2			
											c	0.27	333	44.917
											$n_{2 \text{ Eck}}$			
											$n_{2 \text{ th}}$			
											M_2			
											c	0.27	450	44.917
											$n_{2 \text{ Eck}}$			
											$n_{2 \text{ th}}$			
											M_2			
											c	0.21	306	49.444
											$n_{2 \text{ Eck}}$			
											$n_{2 \text{ th}}$			

$M \dots$ [Nm]
 $n \dots$ [r/min]
 $J \dots$ [kgcm²]

$P \dots$ [kW]
 $I \dots$ [A]
 i [-]
 c [-]



GKR [Nm]

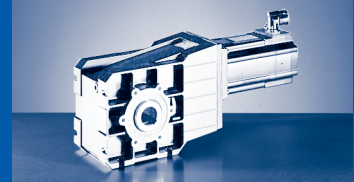
GKR□□-2S (MCS)

$M_{2GN} \leq 450 \text{ Nm}$

GKR06-2S				06FC41	06IC41	09DC41	09FC38	09HC41	09LC41	12DC20	12DC41	12HC15	12HC30
				...500	...500	...500	...500	...500	...500	...500	...500	...500	...500
i	M_{2GN}	J_G	M_1										
			n_1	4050	4050	4050	3750	4050	4050	1950	4050	1500	3000
			I_{M230}	2.9	3.2	4.6	5.0	6.8	8.4	5.2	8.8	7.6	10.5
			I_{M400}	1.5	1.6	2.3	2.5	3.4	4.2	2.6	4.5	3.8	
			P_N	0.51	0.64	1.00	1.20	1.60	1.90	1.10	1.80	1.60	2.50
			J_M	0.25	0.33	1.13	1.53	1.93	2.83	4.12	4.12	7.42	7.42
49.444	450	0.21	M_2			105	143	176	209				
			c			3.8	2.9	2.3	1.9				
			$n_{2 \text{ Eck}}$			82	76	82	82				
			$n_{2 \text{ th}}$			82	76	82	82				
54.513	337	0.20	M_2	60	75								
			c	4.9	3.9								
			$n_{2 \text{ Eck}}$	74	74								
			$n_{2 \text{ th}}$	74	74								
54.513	450	0.20	M_2			116	158	195	231				
			c			3.4	2.6	2.1	1.8				
			$n_{2 \text{ Eck}}$			74	69	74	74				
			$n_{2 \text{ th}}$			74	69	74	74				
62.500	302	0.13	M_2	69	87								
			c	3.8	3.1								
			$n_{2 \text{ Eck}}$	65	65								
			$n_{2 \text{ th}}$	65	65								
68.906	333	0.13	M_2	76	96								
			c	3.8	3.1								
			$n_{2 \text{ Eck}}$	59	59								
			$n_{2 \text{ th}}$	59	59								

M ... [Nm]
n ... [r/min]
J ... [kgcm²]

P ... [kW]
I ... [A]
i [-]
c [-]

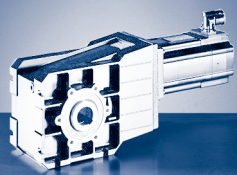


$M_{2GN} \leq 450 \text{ Nm}$

12HC35	12LC20	12LC41	14DC15	14DC36	14HC15	14HC32	14LC15	14LC32	14PC14	14PC32	GKR06-2S			
...S00	...S00	...S00	...S00	...S00	...S00	...S00	...S00	...S00	...S00	...S00	M_1	J_G	M_{2GN}	i
7.50	13.50	11.00	9.20	7.50	16.00	14.00	23.00	17.20	30.00	21.00	n_1			
3525	1950	4050	1500	3600	1500	3225	1500	3225	1350	3225	I_{M230}			
	11.8										I_{M400}			
5.7	5.9	10.2	4.5	7.5	6.6	11.9	9.7	15.0	10.8	15.6	P_N			
2.80	2.80	4.70	1.45	2.80	2.50	4.70	3.60	5.80	4.20	7.10	J_M			
7.42	10.72	10.72	8.22	8.22	14.32	14.32	23.44	23.44	34.74	34.82	M_2			
											c	0.21	450	49.444
											n_2 Eck			
											n_2 th			
											M_2	0.20	337	54.513
											c			
											n_2 Eck			
											n_2 th	0.20	450	54.513
											M_2			
											c	0.13	302	62.500
											n_2 Eck			
											n_2 th			
											M_2	0.13	333	68.906
											c			
											n_2 Eck			
											n_2 th			

M ... [Nm]
n ... [r/min]
J ... [kgcm²]

P ... [kW]
I ... [A]
i [-]
c [-]



GKR [Nm]

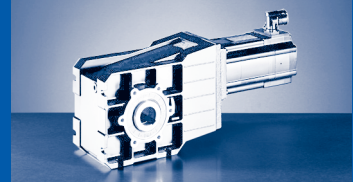
GKR□□-2A (MCA)

$M_{2GN} \leq 90 \text{ Nm}$

GKR04-2A				10IC40	13IC34	13IC41
				...500	...F10	...500
i	M_{2GN}	J_G	M_1			
			n_1	3950	3410	4050
			I_{M400}	2.4	6.0	4.4
			P_N	0.80	2.20	1.70
			J_M	2.44	8.34	8.34
5.185	69	0.81	M_2	9	31	19
			c	5.1	1.7	2.5
			n_2 Eck	762	658	781
			n_2 th	697	533	611
			M_2	11	35	22
5.963	72	0.72	c	4.6	1.5	2.3
			n_2 Eck	662	572	679
			n_2 th	597	441	521
			M_2	13	42	27
			c	4.2	1.4	2.1
7.111	78	0.45	n_2 Eck	556	480	570
			n_2 th	543	404	480
			M_2	15	49	31
			c	3.8	1.3	1.9
			n_2 Eck	483	417	495
8.178	81	0.41	n_2 th	465	337	404
			M_2	17	54	34
			c	3.5	1.2	1.8
			n_2 Eck	434	375	445
			n_2 th	434	342	414
9.101	84	3.27	M_2	19	63	40
			c	3.2	1.1	1.6
			n_2 Eck	377	326	387
			n_2 th	377	286	343
			M_2	21		43
10.466	89	0.30	c	3.0		1.5
			n_2 Eck	345		354
			n_2 th	345		316
			M_2	24		48
			c	2.7		1.3
11.449	90	0.26	n_2 Eck	311		319
			n_2 th	311		312
			M_2	27		55
			c	2.4		1.2
			n_2 Eck	271		277
12.698	90	1.99	n_2 th	270		258
			M_2	29		59
			c	2.2		1.1
			n_2 Eck	254		260
			n_2 th	254		260
14.603	90	0.18	M_2	34		
			c	1.9		
			n_2 Eck	221		
			n_2 th	221		
			M_2	37		
15.556	90	1.47	c	1.8		
			n_2 Eck	202		
			n_2 th	202		
			M_2	42		
			c	1.5		
17.889	90	0.14	n_2 Eck	176		
			n_2 th	176		
			M_2			
			c			
			n_2 Eck			
19.556	90	0.10	n_2 th			
			M_2			
			c			
			n_2 Eck			
			n_2 th			
22.489	90	0.09	M_2			
			c			
			n_2 Eck			
			n_2 th			
			M_2			

M ... [Nm]
 n ... [r/min]
 J ... [kgcm²]

P ... [kW]
 I ... [A]
 i [-]
 c [-]

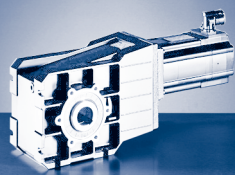


$M_{2GN} \leq 90 \text{ Nm}$

GKR04-2A				10IC40	13IC34	13IC41
				...S00	...F10	...S00
i	M_{2GN}	J_G	M_1	2.00	6.30	4.00
			n_1	3950	3410	4050
			I_{M400}	2.4	6.0	4.4
			P_N	0.80	2.20	1.70
			J_M	2.44	8.34	8.34
25.185	90	0.07	M_2	48		
			c	1.6		
			$n_{2 \text{ Eck}}$	157		
			$n_{2 \text{ th}}$	157		
28.963	90	0.06	M_2	55		
			c	1.4		
			$n_{2 \text{ Eck}}$	136		
			$n_{2 \text{ th}}$	136		

M ... [Nm]
n ... [r/min]
J ... [kgcm²]

P ... [kW]
I ... [A]
i [-]
c [-]



GKR [Nm]

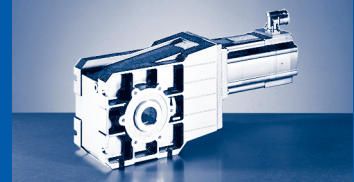
GKR□□-2A (MCA)

$M_{2GN} \leq 240 \text{ Nm}$

GKR05-2A				10IC40	13IC34	13IC41	14LC16	14LC20	14LC35	14LC41
				...S00	...F10	...S00	...F10	...S00	...F10	...S00
i	M_{2GN}	J_G	M_1	2.00	6.30	4.00	12.00	6.70	10.80	5.40
			n_1	3950	3410	4050	1635	2000	3455	4100
			I_{M400}	2.4	6.0	4.4	4.8	3.3	9.1	5.8
			P_N	0.80	2.20	1.70	2.10	1.40	3.90	2.30
			J_M	2.44	8.34	8.34	19.32	19.24	19.24	19.24
3.565	138	4.95	M_2		20		40	22	36	17
			c		4.9		3.3	5.5	2.9	5.4
			$n_{2 \text{ Eck}}$		957		459	561	969	1150
			$n_{2 \text{ th}}$		843		459	561	757	858
4.889	147	2.79	M_2		28	18	55	30	50	24
			c		3.8	5.7	2.6	4.3	2.2	4.2
			$n_{2 \text{ Eck}}$		698	828	334	409	707	839
			$n_{2 \text{ th}}$		687	739	334	409	616	699
6.257	156	1.79	M_2		37	23	70	39	64	31
			c		3.2	4.7	2.1	3.6	1.8	3.5
			$n_{2 \text{ Eck}}$		545	647	261	320	552	655
			$n_{2 \text{ th}}$		545	608	261	320	501	574
6.883	179	2.57	M_2		40	25	77	43	70	34
			c		3.3	4.9	2.2	3.7	1.9	3.6
			$n_{2 \text{ Eck}}$		495	588	238	291	502	596
			$n_{2 \text{ th}}$		404	437	238	291	356	412
7.817	187	2.32	M_2		46	29	88	48	80	39
			c		3.0	4.5	2.0	3.4	1.8	3.3
			$n_{2 \text{ Eck}}$		436	518	209	256	442	525
			$n_{2 \text{ th}}$		350	379	209	256	299	356
9.440	191	1.53	M_2		56	35	107	59	96	48
			c		2.6	3.8	1.7	2.9	1.5	2.8
			$n_{2 \text{ Eck}}$		361	429	173	212	366	434
			$n_{2 \text{ th}}$		329	356	173	212	266	335
10.720	204	1.40	M_2		63	40	121	67	110	54
			c		2.4	3.6	1.6	2.7	1.4	2.7
			$n_{2 \text{ Eck}}$		318	378	153	187	322	383
			$n_{2 \text{ th}}$		286	310	153	187	227	292
12.081	208	1.02	M_2		71	45	137	76	124	61
			c		2.2	3.3	1.5	2.5	1.3	2.4
			$n_{2 \text{ Eck}}$		282	335	135	166	286	339
			$n_{2 \text{ th}}$		274	295	135	166	218	279
13.216	214	0.87	M_2		78	49	150	83	135	67
			c		2.1	3.1	1.4	2.3	1.2	2.3
			$n_{2 \text{ Eck}}$		258	307	124	151	261	310
			$n_{2 \text{ th}}$		258	277	124	151	204	262
13.719	217	0.94	M_2		81	51	156	86	141	69
			c		2.0	3.0	1.4	2.3	1.2	2.2
			$n_{2 \text{ Eck}}$		249	295	119	146	252	299
			$n_{2 \text{ th}}$		238	256	119	146	185	242
15.008	223	0.81	M_2	27	89	56	171	94	154	76
			c	5.7	1.9	2.8	1.3	2.1	1.1	2.1
			$n_{2 \text{ Eck}}$	263	227	270	109	133	230	273
			$n_{2 \text{ th}}$	263	221	240	109	133	174	227
16.857	240	0.60	M_2	31	100	63	192	106	173	86
			c	5.4	1.8	2.7	1.2	2.0	1.1	2.0
			$n_{2 \text{ Eck}}$	234	202	240	97	119	205	243
			$n_{2 \text{ th}}$	234	202	240	97	119	178	213
19.143	240	0.55	M_2	35	114	72	218	121		97
			c	4.8	1.6	2.4	1.1	1.8		1.8
			$n_{2 \text{ Eck}}$	206	178	212	85	105		214
			$n_{2 \text{ th}}$	206	178	212	85	104		188

M ... [Nm]
 n ... [r/min]
 J ... [kgcm²]

P ... [kW]
 I ... [A]
 i [-]
 c [-]

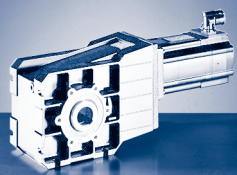


$M_{2GN} \leq 240 \text{ Nm}$

GKR05-2A				10IC40	13IC34	13IC41	14LC16	14LC20	14LC35	14LC41
				...S00	...F10	...S00	...F10	...S00	...F10	...S00
i	M_{2GN}	J_G	M_1							
			n_1	2.00	6.30	4.00	12.00	6.70	10.80	5.40
			I_{M400}	3950	3410	4050	1635	2000	3455	4100
			P_N	2.4	6.0	4.4	4.8	3.3	9.1	5.8
			J_M	0.80	2.20	1.70	2.10	1.40	3.90	2.30
			M_2	2.44	8.34	8.34	19.32	19.24	19.24	19.24
			c	38	123	77		131		105
			$n_{2 \text{ Eck}}$	4.4	1.5	2.2		1.7		1.6
			$n_{2 \text{ th}}$	191	165	196		97		199
			M_2	191	165	196		97		174
			c	43	140	88		149		120
			$n_{2 \text{ Eck}}$	3.9	1.3	1.9		1.5		1.4
			$n_{2 \text{ th}}$	168	145	173		85		175
			M_2	168	145	173		85		153
			c	50	160	101				
			$n_{2 \text{ Eck}}$	3.9	1.3	1.9				
			$n_{2 \text{ th}}$	147	127	151				
			M_2	147	127	151				
			c	57	182	115				
			$n_{2 \text{ Eck}}$	3.4	1.1	1.7				
			$n_{2 \text{ th}}$	129	112	133				
			M_2	129	112	133				
			c	62	200	126				
			$n_{2 \text{ Eck}}$	3.1	1.0	1.5				
			$n_{2 \text{ th}}$	118	102	121				
			M_2	118	102	121				
			c	71		144				
			$n_{2 \text{ Eck}}$	2.7		1.4				
			$n_{2 \text{ th}}$	104		107				
			M_2	104		107				
			c	81						
			$n_{2 \text{ Eck}}$	2.7						
			$n_{2 \text{ th}}$	91						
			M_2	91						
			c	92						
			$n_{2 \text{ Eck}}$	2.4						
			$n_{2 \text{ th}}$	80						
			M_2	80						
			c	99						
			$n_{2 \text{ Eck}}$	2.2						
			$n_{2 \text{ th}}$	75						
			M_2	75						
			c	112						
			$n_{2 \text{ Eck}}$	1.9						
			$n_{2 \text{ th}}$	66						
			M_2	66						

M ... [Nm]
n ... [r/min]
J ... [kgcm²]

P ... [kW]
I ... [A]
i [-]
c [-]



GKR [Nm]

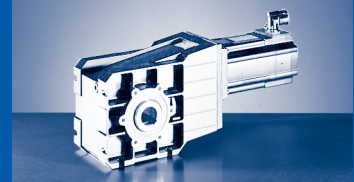
GKR□□-2A (MCA)

$M_{2GN} \leq 450 \text{ Nm}$

GKR06-2A				10IC40	13IC34	13IC41	14LC16	14LC20	14LC35	14LC41	17NC17	17NC23	17NC35	17NC41	
				...S00	...F10	...S00	...F10	...S00	...F10	...S00	...F10	...S00	...F10	...S00	
i	M_{2GN}	J_G	M_1	2.00	6.30	4.00	12.00	6.70	10.80	5.40	21.50	10.80	19.00	9.50	
			n_1	3950	3410	4050	1635	2000	3455	4100	1680	2300	3480	4110	
			I_{M400}	2.4	6.0	4.4	4.8	3.3	9.1	5.8	8.5	5.5	15.8	10.2	
			P_N	0.80	2.20	1.70	2.10	1.40	3.90	2.30	3.80	2.60	6.90	4.10	
			J_M	2.44	8.34	8.34	19.32	19.24	19.24	19.24	36.04	36.04	36.04	36.04	
3.431	200	9.58	M_2				37		34		69	34	61	30	
			c				5.0		4.3		2.8	4.9	2.4	4.6	
			$n_{2 \text{ Eck}}$				477		1007		490		670	1014	1198
			$n_{2 \text{ th}}$				476		722		490		670	638	733
4.706	250	5.61	M_2				52		47		95	47	84	41	
			c				4.5		3.9		2.5	4.5	2.2	4.2	
			$n_{2 \text{ Eck}}$				347		734		357		489	740	873
			$n_{2 \text{ th}}$				347		600		357		489	531	608
6.022	241	3.66	M_2		34										
			c		5.1										
			$n_{2 \text{ Eck}}$		566										
			$n_{2 \text{ th}}$		566										
6.022	280	3.66	M_2				67		60		121	60	108	53	
			c				4.0		3.4		2.2	3.9	2.0	3.7	
			$n_{2 \text{ Eck}}$				272		574		279		382	578	683
			$n_{2 \text{ th}}$				271		529		279		382	467	517
6.481	350	5.11	M_2				71		64		130	64	115	56	
			c				4.6		4.0		2.6	4.6	2.3	4.3	
			$n_{2 \text{ Eck}}$				252		533		259		355	537	634
			$n_{2 \text{ th}}$				252		376		259		355	332	382
7.146	348	4.54	M_2				79		71		144	71	128	63	
			c				4.2		3.6		2.3	4.1	2.0	3.9	
			$n_{2 \text{ Eck}}$				229		484		235		322	487	575
			$n_{2 \text{ th}}$				229		334		235		322	294	339
8.889	408	3.23	M_2				98		89		179	88	159	78	
			c				3.9		3.4		2.2	3.9	1.9	3.6	
			$n_{2 \text{ Eck}}$				184		389		189		259	392	462
			$n_{2 \text{ th}}$				184		308		189		259	270	313
9.800	384	2.93	M_2				109	59	99	48	198	98	176	86	
			c				3.3	5.6	2.9	5.5	1.9	3.3	1.6	3.1	
			$n_{2 \text{ Eck}}$				167	204	353	418	171	235	355	419	
			$n_{2 \text{ th}}$				167	204	270	307	171	235	223	274	
11.376	436	2.21	M_2		65		127	69	114	56	230	114	204	100	
			c		4.9		3.3	5.5	2.8	5.3	1.8	3.2	1.6	3.0	
			$n_{2 \text{ Eck}}$		300		144	176	304	360	148	202	306	361	
			$n_{2 \text{ th}}$		300		144	176	269	305	148	202	220	273	
12.444	450	1.89	M_2		72		139	76	125	61	252	125	223	110	
			c		4.6		3.1	5.2	2.7	5.0	1.7	3.1	1.5	2.9	
			$n_{2 \text{ Eck}}$		274		131	161	278	330	135	185	280	330	
			$n_{2 \text{ th}}$		274		131	161	252	284	135	185	204	250	
13.720	426	1.73	M_2		80	49	154	84	139	68	279	138	247	122	
			c		4.0	5.9	2.7	4.4	2.3	4.3	1.5	2.6	1.3	2.5	
			$n_{2 \text{ Eck}}$		249	295	119	146	252	299	123	168	254	300	
			$n_{2 \text{ th}}$		247	265	119	146	221	251	122	168	171	225	
15.873	450	1.32	M_2		92	58	178	98	161	79	323	160	286	141	
			c		3.6	5.4	2.4	4.1	2.1	4.0	1.3	2.4	1.2	2.3	
			$n_{2 \text{ Eck}}$		215	255	103	126	218	258	106	145	219	259	
			$n_{2 \text{ th}}$		215	247	103	126	209	226	106	145	163	196	
17.500	450	1.23	M_2		102	64	197	108	178	87	357	177	316	156	
			c		3.3	4.9	2.2	3.7	1.9	3.6	1.2	2.2	1.1	2.0	
			$n_{2 \text{ Eck}}$		195	231	93	114	197	234	96	131	199	235	
			$n_{2 \text{ th}}$		195	221	93	114	184	205	96	131	142	178	

$M \dots$ [Nm]
 $n \dots$ [r/min]
 $J \dots$ [kgcm²]

$P \dots$ [kW]
 $I \dots$ [A]
 $i \dots$ [-]
 $c \dots$ [-]

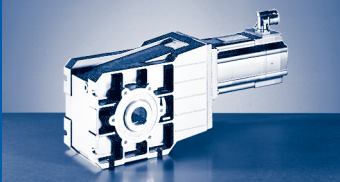


$M_{2GN} \leq 450 \text{ Nm}$

GKR06-2A				10IC40	13IC34	13IC41	14LC16	14LC20	14LC35	14LC41	17NC17	17NC23	17NC35	17NC41
				...S00	...F10	...S00	...F10	...S00	...F10	...S00	...F10	...S00	...F10	...S00
i	M_{2GN}	J_G	M_1	2.00	6.30	4.00	12.00	6.70	10.80	5.40	21.50	10.80	19.00	9.50
			n_1	3950	3410	4050	1635	2000	3455	4100	1680	2300	3480	4110
			I_{M400}	2.4	6.0	4.4	4.8	3.3	9.1	5.8	8.5	5.5	15.8	10.2
			P_N	0.80	2.20	1.70	2.10	1.40	3.90	2.30	3.80	2.60	6.90	4.10
			J_M	2.44	8.34	8.34	19.32	19.24	19.24	19.24	36.04	36.04	36.04	36.04
19.444	450	0.99	M_2		114	71	219	121	198	97	397	198		174
			c		2.9	4.4	2.0	3.3	1.7	3.2	1.1	2.0		1.8
			$n_{2 \text{ Eck}}$		175	208	84	103	178	211	86	118		211
			$n_{2 \text{ th}}$		175	208	84	103	178	185	86	118		160
21.438	450	0.93	M_2		126	79	242	134	219	108		218		192
			c		2.7	4.0	1.8	3.0	1.6	2.9		1.8		1.7
			$n_{2 \text{ Eck}}$		159	189	76	93	161	191		107		192
			$n_{2 \text{ th}}$		159	189	76	93	159	167		107		145
25.309	450	0.63	M_2		149	93	287	158	258	127				
			c		2.6	3.8	1.6	2.8	1.5	2.8				
			$n_{2 \text{ Eck}}$		135	160	65	79	137	162				
			$n_{2 \text{ th}}$		135	160	65	79	137	142				
27.903	450	0.59	M_2		165	103	317	175	285	141				
			c		2.3	3.5	1.4	2.5	1.4	2.6				
			$n_{2 \text{ Eck}}$		122	145	59	72	124	147				
			$n_{2 \text{ th}}$		122	145	59	72	124	129				
31.481	450	0.46	M_2		186	117	358	198	322	159				
			c		2.1	3.1	1.3	2.3	1.2	2.3				
			$n_{2 \text{ Eck}}$		108	129	52	64	110	130				
			$n_{2 \text{ th}}$		108	129	52	64	110	114				
34.708	450	0.43	M_2	63	206	129	395	219	356	176				
			c	5.6	1.9	2.8	1.1	2.0	1.1	2.1				
			$n_{2 \text{ Eck}}$	114	98	117	47	58	100	118				
			$n_{2 \text{ th}}$	114	98	117	47	58	100	103				
40.741	450	0.28	M_2	74	242	152								
			c	5.3	1.8	2.6								
			$n_{2 \text{ Eck}}$	97	84	99								
			$n_{2 \text{ th}}$	97	84	99								
44.917	450	0.27	M_2	82	267	168								
			c	4.8	1.6	2.4								
			$n_{2 \text{ Eck}}$	88	76	90								
			$n_{2 \text{ th}}$	88	76	90								
49.444	450	0.21	M_2	91	295	186								
			c	4.4	1.5	2.2								
			$n_{2 \text{ Eck}}$	80	69	82								
			$n_{2 \text{ th}}$	80	69	82								
54.513	450	0.20	M_2	100	325	205								
			c	4.0	1.3	2.0								
			$n_{2 \text{ Eck}}$	73	63	74								
			$n_{2 \text{ th}}$	72	63	74								
62.500	378	0.13	M_2	116										
			c	2.9										
			$n_{2 \text{ Eck}}$	63										
			$n_{2 \text{ th}}$	63										
68.906	417	0.13	M_2	128										
			c	2.9										
			$n_{2 \text{ Eck}}$	57										
			$n_{2 \text{ th}}$	57										

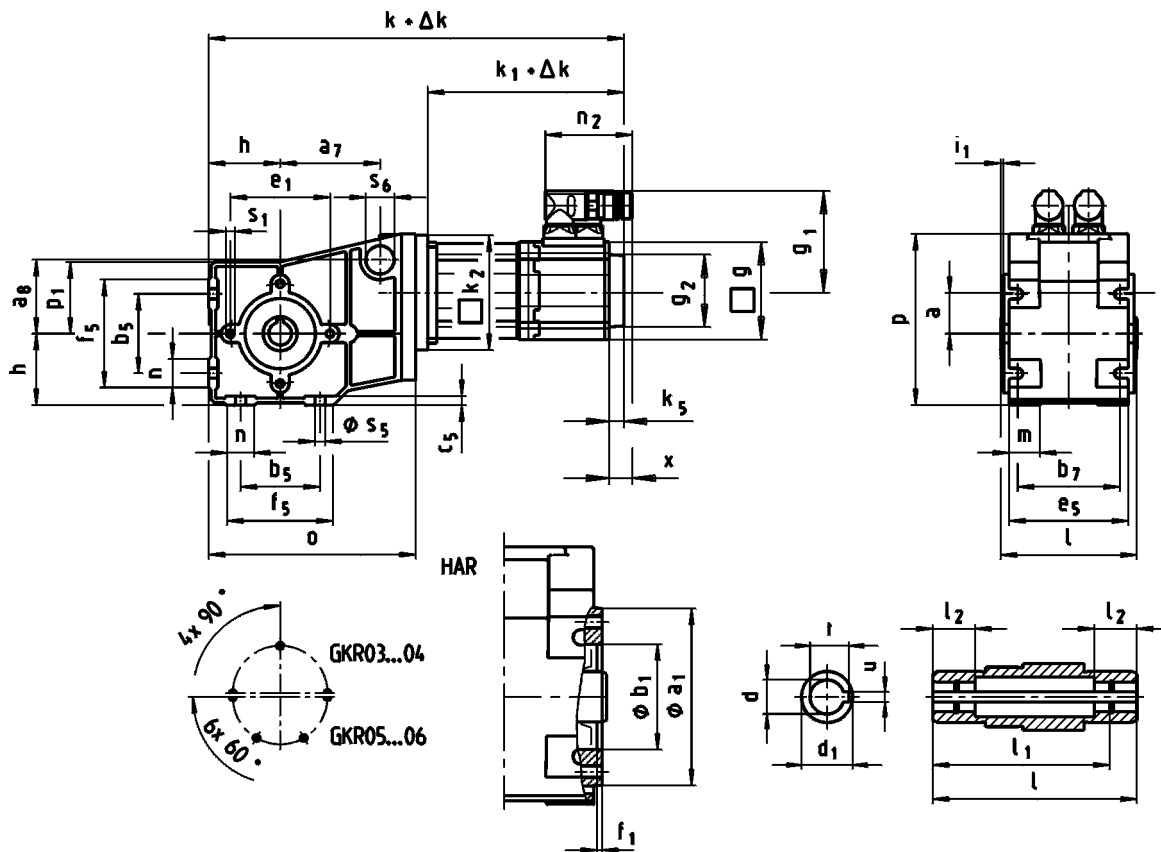
$M \dots$ [Nm]
 $n \dots$ [r/min]
 $J \dots$ [kgcm²]

$P \dots$ [kW]
 $I \dots$ [A]
 i [-]
 c [-]



GKR [mm]

GKR□□-2S (MCS)

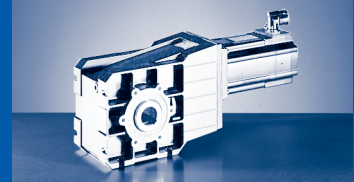


GKR□□-2S H□R ... RSO

		06C C41	06F C41	06I C41	09D C41	09F C38	09H C41	09L C41	12D C20	12D C41	12H C15	12H C30	12H C35	12L C20	12L C41
GKR03...	k	294	324	354											
GKR04...	k	331	361	391	383	403	423	463							
GKR05...	k	384	414	444	437	457	477	517	454		494			534	
GKR06...	k	436	466	496	488	508	528	568	505		545			585	
...RSO B0 ¹⁾	Δk	0													
...RSO P□ ¹⁾	Δk	19			20										
	k_1	132	162	192	183	203	223	263	188		228			268	
	k_2	66			91				118				145 ²⁾		
...RSO	g	62			89				116						
	k_5	0			13				14						
	g_2	□ 62			Ø 67				Ø 72						
	g_1	76			90				105						
	n_2	64			78										
	x	21							18						

¹⁾ → 801 - SRS/SRM/ECN/EQN/EQI/C20

²⁾ GKR05: 12DC20 ... 12LC41



GKR□□-2S H□R ... RSO

		14D C15	14D C36	14H C15	14H C32	14L C15	14L C32	14P C14	14P C32
GKR06...	k	521		561		601		641	
...RSO B0 ¹⁾	Δ k	0							
...RSO P□ ¹⁾	Δ k	28							
	k ₁	201		241		281		321	
	k ₂	145							
	g	143							
...RSO	k ₅	24							
	g ₂	Ø 78							
	g ₁	116				147		116	147
	n ₂	78				94		78	94
	x	16				38		16	38

¹⁾ → 801 - SRS/SRM/ECN/EQN/EQI/C20

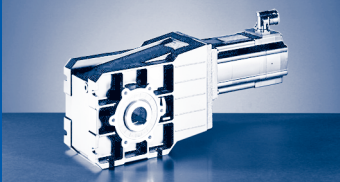
GKR□□-2S H□R

	o	p	p ₁	h	a	a ₇	a ₈	s ₆
GKR03...	142	117	48	50	29	66	39	25x12
GKR04...	189	151	63	63	36	88	65	25x17
GKR05...	251	181	82	80	40	-	-	-
GKR06...	307	226	100	100	51	-	-	-

	b ₅	b ₇	c ₅	e ₅	f ₅	m	n	s ₅
GKR03...	60	75	7	90	80	22	20	6.6
GKR04...	70	90	8	105	95	28	25	9
GKR05...	100	100	11	115	138	27	48	
GKR06...	120	125	12	145	164	32	53	11

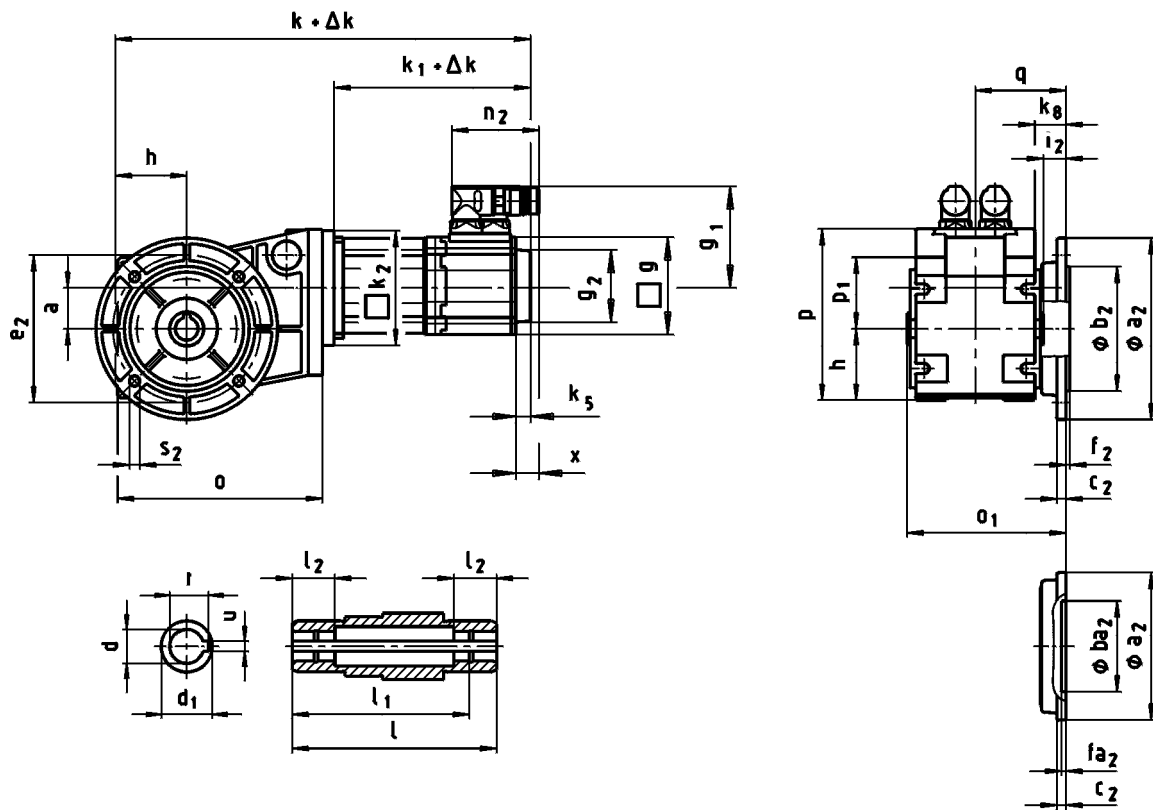
	d	l	d ₁	l ₁	l ₂	u	t	a ₁	b ₁	e ₁	f ₁	i ₁	s ₁
	H7					JS9	+0,2		J7				
GKR03...	18	100	30	85	22	6	20.8	85	55	70	2.5	2.5	M6x12
	20						22.8						
GKR04...	25	120	35	105	25	8	27 ²⁾	104	62	88	3	4	M8x16
	30						33.3						
GKR05...	35	143	50	127	30	10	38.3	116	80	100	4	4	M8x15
	40						43.3						
GKR06...	45	170	65	150	30	14	48.8	140	100	120	4	5	M10x22

²⁾ DIN 6885/3



GKR [mm]

GKR□□-2S (MCS)

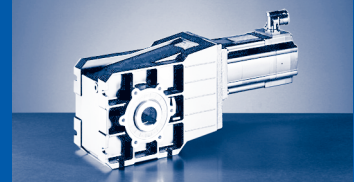


GKR□□-2S HAK ... RSO

		06C C41	06F C41	06I C41	09D C41	09F C38	09H C41	09L C41	12D C20	12D C41	12H C15	12H C30	12H C35	12L C20	12L C41		
GKR03...	k	294	324	354													
GKR04...	k	331	361	391	383	403	423	463									
GKR05...	k	384	414	444	437	457	477	517	454		494			534			
GKR06...	k	436	466	496	488	508	528	568	505		545			585			
...RSO B0 ¹⁾	Δk	0															
...RSO P□ ²⁾	Δk	19								20							
...RSO	k_1	132	162	192	183	203	223	263	188		228			268			
	k_2	66			91								118 145 ²⁾				
	g	62			89								116				
	k_5	0			13								14				
	g_2	□ 62			Ø 67								Ø 72				
	g_1	76			90								105				
	n_2	64							78								
	x				21								18				

¹⁾ → 801 - SRS/SRM/ECN/EQN/EQI/C20

²⁾ GKR05: 12DC20 ... 12LC41



GKR□□-2S HAK ... RSO

		14D C15	14D C36	14H C15	14H C32	14L C15	14L C32	14P C14	14P C32
GKR06...	k	521		561		601		641	
...RSO B0 ¹⁾	Δ k	0							
...RSO P□ ¹⁾	Δ k	28							
	k ₁	201		241		281		321	
	k ₂	145							
	g	143							
...RSO	k ₅	24							
	g ₂	Ø 78							
	g ₁	116				147		116	147
	n ₂	78				94		78	94
	x	16				38		16	38

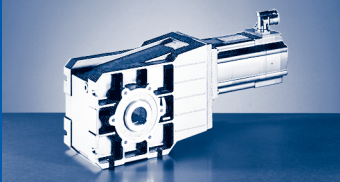
¹⁾ → 801 - SRS/SRM/ECN/EQN/EQI/C20

GKR□□-2S HAK

	o	o ₁	p	p ₁	h	a	q	k ₈
GKR03...	142	130	117	48	50	29	80	35
GKR04...	189	140	151	63	63	36		28
GKR05...	251	177	181	82	80	40	105	48
GKR06...	307	212	226	100	100	51	126.5	54

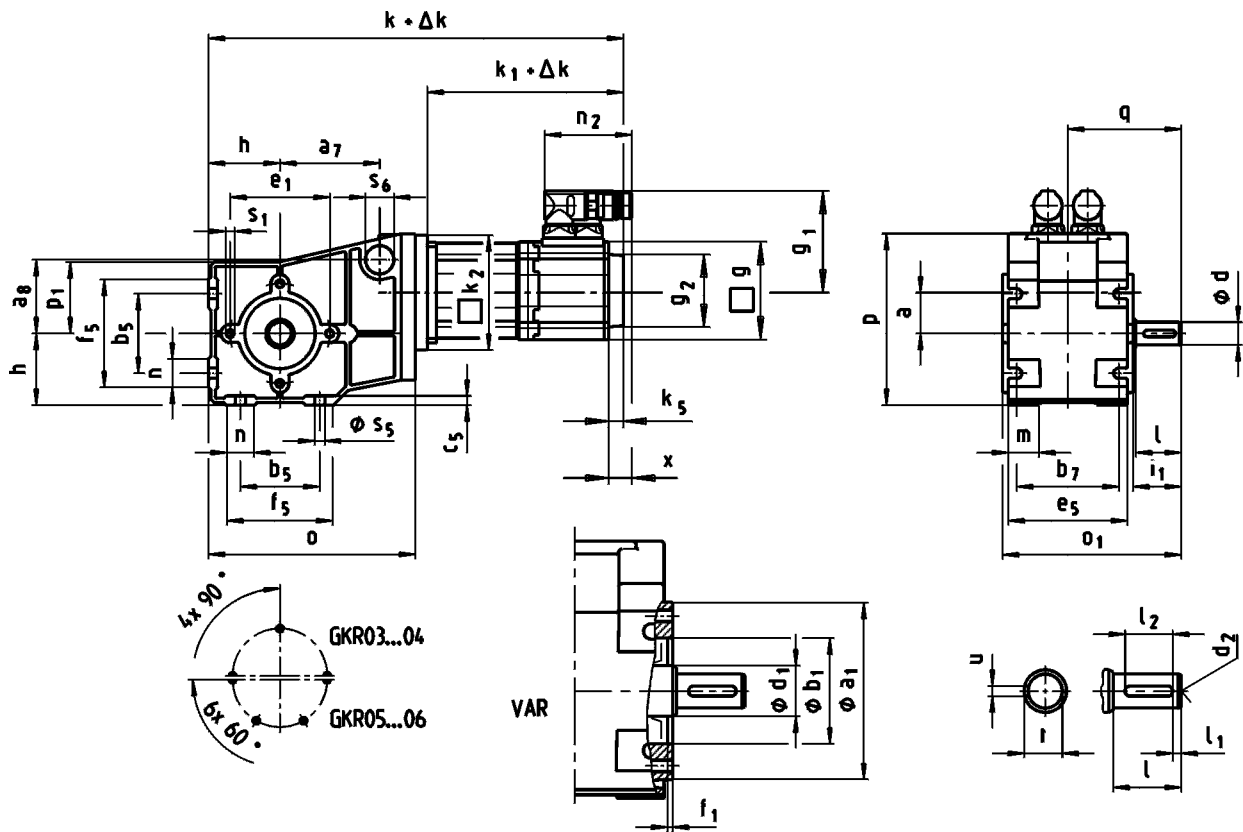
	d	l	d ₁	l ₁	l ₂	u	t	a ₂	b ₂	ba ₂	c ₂	e ₂	f ₂	fa ₂	i ₂	s ₂
	H7					JS9	+0,2		j7	H7						4x90°
GKR03...	18	100	30	85	22	6	20.8	110	-	60	8	87	-	4	30	9
	20						120					100				3
GKR04...	25	120	35	105	25	8	27 ²⁾	160	110	-	12	130	3.5	-	20	9
	30						143					50				127
GKR05...	35	143	50	127	25	8	38.3	200	130	-	12	165	3.5	-	33.5	11
	40						170					65				150
GKR06...	45	170	65	150	30	14	48.8	250	180	-	12	215	4	-	41.5	14
	45						170					65				150

²⁾ DIN 6885/3



GKR [mm]

GKR□□-2S (MCS)

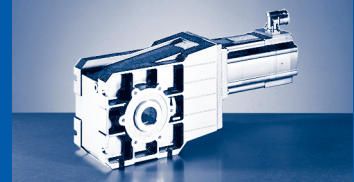


GKR□□-2S V□R ... RSO

		06C C41	06F C41	06I C41	09D C41	09F C38	09H C41	09L C41	12D C20	12D C41	12H C15	12H C30	12H C35	12L C20	12L C41
GKR03...	k	294	324	354											
GKR04...	k	331	361	391	383	403	423	463							
GKR05...	k	384	414	444	437	457	477	517	454			494		534	
GKR06...	k	436	466	496	488	508	528	568	505			545		585	
...RSO B0 ¹⁾	Δk	0													
...RSO P□ ²⁾	Δk	19			20										
	k_1	132	162	192	183	203	223	263	188		228		268		
	k_2	66			91				118					145 ²⁾	
	g	62			89				116						
...RSO	k_5	0			13				14						
	g_2	□ 62			Ø 67				Ø 72						
	g_1	76			90				105						
	n_2	64							78						
	x				21				18						

¹⁾ → 801 - SRS/SRM/ECN/EQN/EQI/C20

²⁾ GKR05: 12DC20 ... 12LC41



GKR□□-2S V□R ... RSO

		14D C15	14D C36	14H C15	14H C32	14L C15	14L C32	14P C14	14P C32
GKR06...	k	521		561		601		641	
...RSO B0 ¹⁾	Δ k	0							
...RSO P□ ¹⁾	Δ k	28							
	k ₁	201		241		281		321	
	k ₂	145							
	g	143							
...RSO	k ₅	24							
	g ₂	Ø 78							
	g ₁	116				147		116	147
	n ₂	78				94		78	94
	x	16				38		16	38

¹⁾ → 801 - SRS/SRM/ECN/EQN/EQI/C20

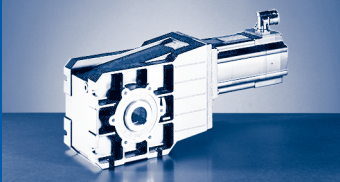
GKR□□-2S V□R

	o	o ₁	p	p ₁	h	a	q	a ₇	a ₈	s ₆
GKR03...	142	138	117	48	50	29	90	66	39	25x12
GKR04...	189	158	151	63	63	36	100	88	65	25x17
GKR05...	251	199	181	82	80	40	131.5	-	-	-
GKR06...	307	235	226	100	100	51	155	-	-	-

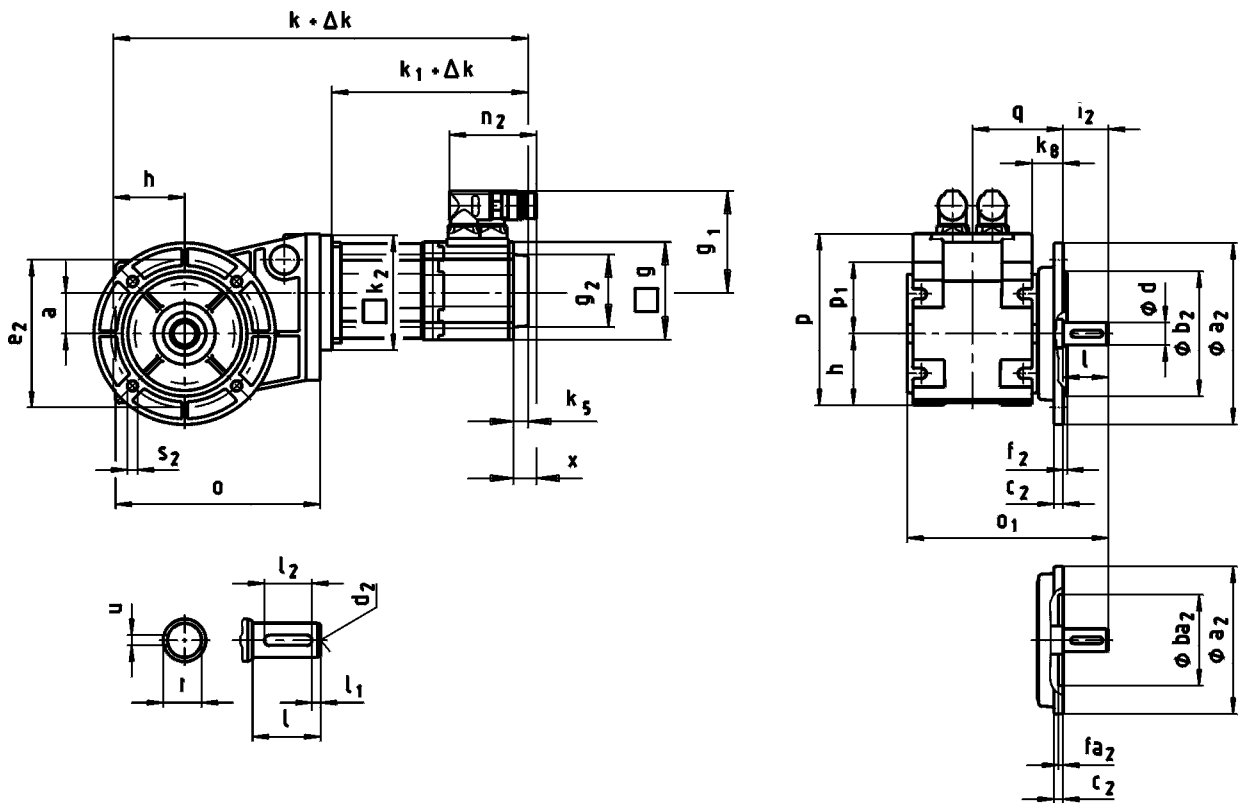
	b ₅	b ₇	c ₅	e ₅	f ₅	m	n	s ₅
GKR03...	60	75	7	90	80	22	20	6.6
GKR04...	70	90	8	105	95	28	25	9
GKR05...	100	100	11	115	138	27	48	
GKR06...	120	125	12	145	164	32	53	11

	d	l	d ₁	l ₁	l ₂	d ₂	u	t	a ₁	b ₁	e ₁	f ₁	i ₁	s ₁
										J7				
GKR03...	20	40	30	5	28	M6	6	22.5	85	55	70	2.5	42.5	M6x12
GKR04...									104	62	88	3		M8x16
GKR05...	30	60	50	6	45	M10	8	33	116	80	100	4	64	M8x15
GKR06...									140	100	120		75	M10x22

d ≤ 50 mm: k6; d > 50 mm: m6



GKR [mm] GKR□□-2S (MCS)

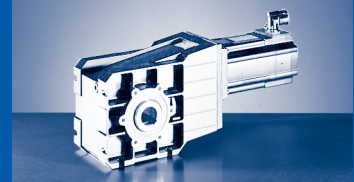


GKR□□-2S VAK ... RSO

		06C C41	06F C41	06I C41	09D C41	09F C38	09H C41	09L C41	12D C20	12D C41	12H C15	12H C30	12H C35	12L C20	12L C41
GKR03...	k	294	324	354											
GKR04...	k	331	361	391	383	403	423	463							
GKR05...	k	384	414	444	437	457	477	517	454			494			534
GKR06...	k	436	466	496	488	508	528	568	505			545			585
...RSO B0 ¹⁾	Δ k	0													
...RSO P□ ¹⁾	Δ k	19			20										
	k ₁	132	162	192	183	203	223	263	188		228		268		
	k ₂	66			91				118				145 ²⁾		
	g	62			89				116						
...RSO	k ₅	0			13				14						
	g ₂	□ 62			Ø 67				Ø 72						
	g ₁	76			90				105						
	n ₂	64							78						
	x				21				18						

¹⁾ → 801 - SRS/SRM/ECN/EQN/EQI/C20

²⁾ GKR05: 12DC20 ... 12LC41



GKR□□-2S VAK ... RSO

		14D C15	14D C36	14H C15	14H C32	14L C15	14L C32	14P C14	14P C32
GKR06...	k	521		561		601		641	
...RSO B0 ¹⁾	Δ k	0							
...RSO P□ ¹⁾	Δ k	28							
	k ₁	201		241		281		321	
	k ₂	145							
	g	143							
...RSO	k ₅	24							
	g ₂	Ø 78							
	g ₁	116				147		116	147
	n ₂	78				94		78	94
	x	16				38		16	38

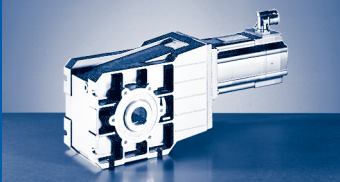
¹⁾ → 801 - SRS/SRM/ECN/EQN/EQI/C20

GKR□□-2S VAK

	o	o ₁	p	p ₁	h	a	q	k ₈
GKR03...	142	168	117	48	50	29	80	35
GKR04...	189	178	151	63	63	36	80.5	28
GKR05...	251	233	181	82	80	40	105	48
GKR06...	307	277	226	100	100	51	126.5	54

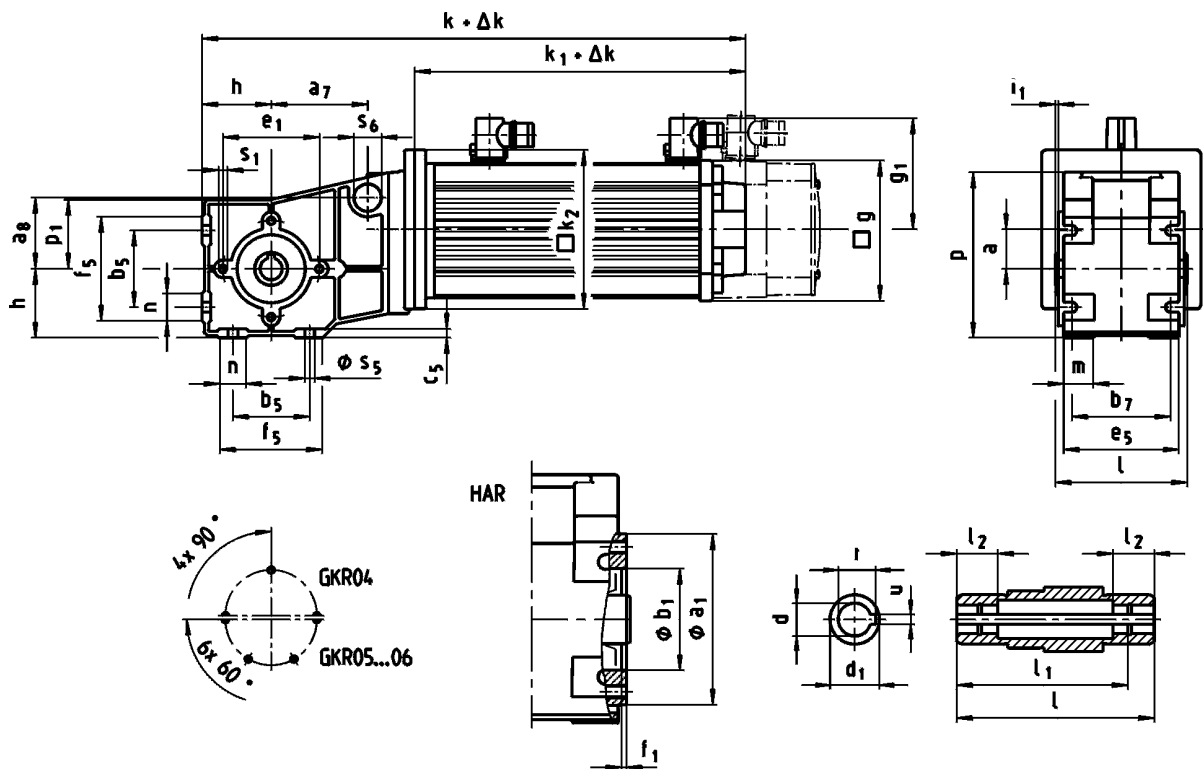
	d	l	l ₁	l ₂	d ₂	u	t	a ₂	b ₂	ba ₂	c ₂	e ₂	f ₂	fa ₂	i ₂	s ₂
									j7	H7						4x90°
GKR03...	20	40	5	28	M6	6	22.5	110	-	60	8	87	-	4	40	9
GKR04...								120	80	100		3	7			
GKR05...	30	60	6	45	M10	8	33	160	110	-	12	130	3.5	-	60	9
GKR06...								200	130	165		11				
	35	70	7	56	M12	10	38	250	180			215	4		70	14

d ≤ 50 mm: k6; d > 50 mm: m6



GKR [mm]

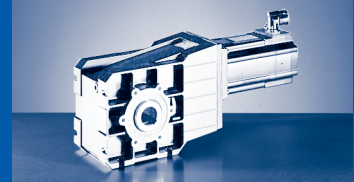
GKR□□-2A (MCA)



GKR□□-2A H□R ... RSO

		10I C40 ...S00	13I C41 ...S00	13I C34 ...F10	14L C20 ...S00	14L C41 ...S00	14L C16 ...F10	14L C35 ...F10	17N C23 ...S00	17N C41 ...S00	17N C17 ...F10	17N C35 ...F10
GKR04...	k	459	467	535								
GKR05...	k	512	521	589	571		633					
GKR06...	k	564	572	640	622		684		661		750	
...RSO B0 ¹⁾	Δk	0										
...RSO P□ ¹⁾	Δk	25	35			33				35		
	k_1	258	267	335	307		369		346		435	
	k_2	145				180						
	g	102	131			142			165			
	g_1	90	102			109			118			

¹⁾ → 803 - SRS/SRM/ECN/EQN/EQI/S20/T20/CDD



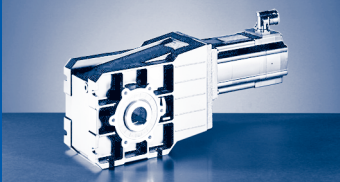
GKR□□-2A H□R

	o	p	p ₁	h	a	a ₇	a ₈	s ₆
GKR04...	189	151	63	63	36	88	65	25x17
GKR05...	251	181	82	80	40	-	-	-
GKR06...	307	226	100	100	51	-	-	-

	b ₅	b ₇	c ₅	e ₅	f ₅	m	n	s ₅
GKR04...	70	90	8	105	95	28	25	9
GKR05...	100	100	11	115	138	27	48	
GKR06...	120	125	12	145	164	32	53	11

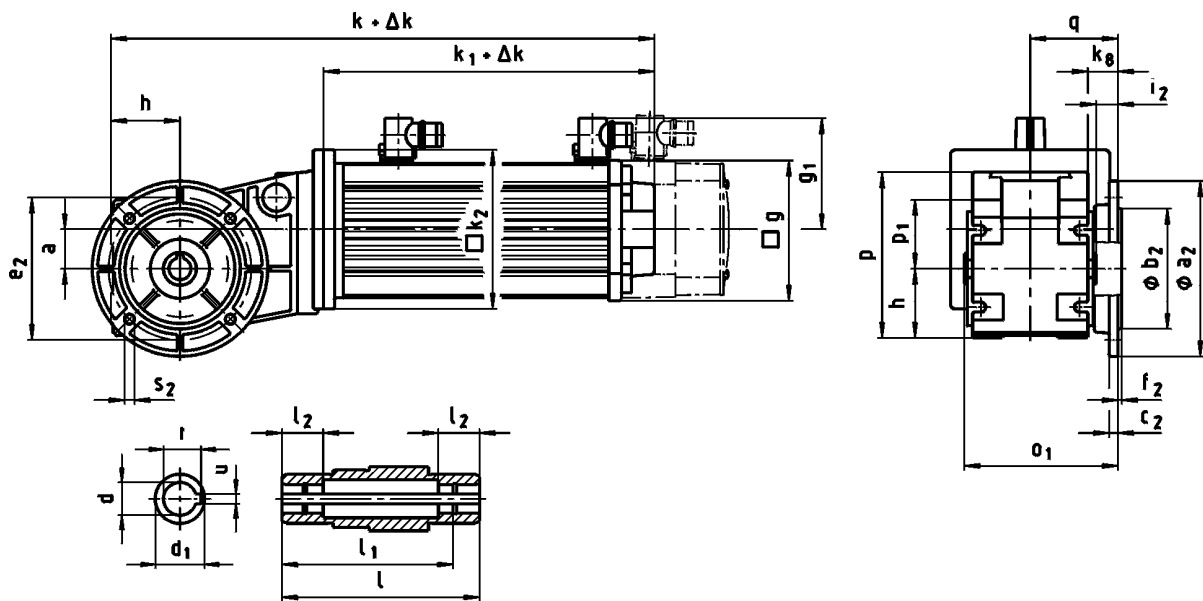
	d	l	d ₁	l ₁	l ₂	u	t	a ₁	b ₁	e ₁	f ₁	i ₁	s ₁	
	H7					JS9	+0,2		J7					
GKR04...	20	120	30	105	25	6	22.8	104	62	88	3	2.5	M8x16	
	25		35			8	27 ¹⁾							
GKR05...	30	143	50	127		10	33.3	116	80	100		4	4	M8x15
	35					12	38.3							
GKR06...	40	170	65	150	30	14	43.3	140	100	120	5	M10x22		
	45					14	48.8							

¹⁾ DIN 6885/3



GKR [mm]

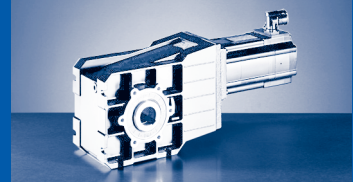
GKR□□-2A (MCA)



GKR□□-2A HAK ... RSO

		10I C40 ...S00	13I C41 ...S00	13I C34 ...F10	14L C20 ...S00	14L C41 ...S00	14L C16 ...F10	14L C35 ...F10	17N C23 ...S00	17N C41 ...S00	17N C17 ...F10	17N C35 ...F10
GKR04...	k	459	467	535								
GKR05...	k	512	521	589	571		633					
GKR06...	k	564	572	640	622		684	661		750		
...RSO B0 ¹⁾	Δk	0										
...RSO P□ ¹⁾	Δk	25	35		33				35			
	k_1	258	267	335	307		369	346		435		
	k_2	145					180					
	g	102	131			142			165			
	g_1	90	102			109			118			

¹⁾ → 803 - SRS/SRM/ECN/EQN/EQI/S20/T20/CDD

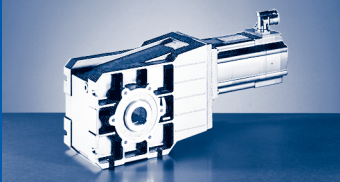


GKR□□-2A HAK

	o	o ₁	p	p ₁	h	a	q	k ₈
GKR04...	189	140	151	63	63	36	80	28
GKR05...	251	177	181	82	80	40	105	48
GKR06...	307	212	226	100	100	51	126.5	54

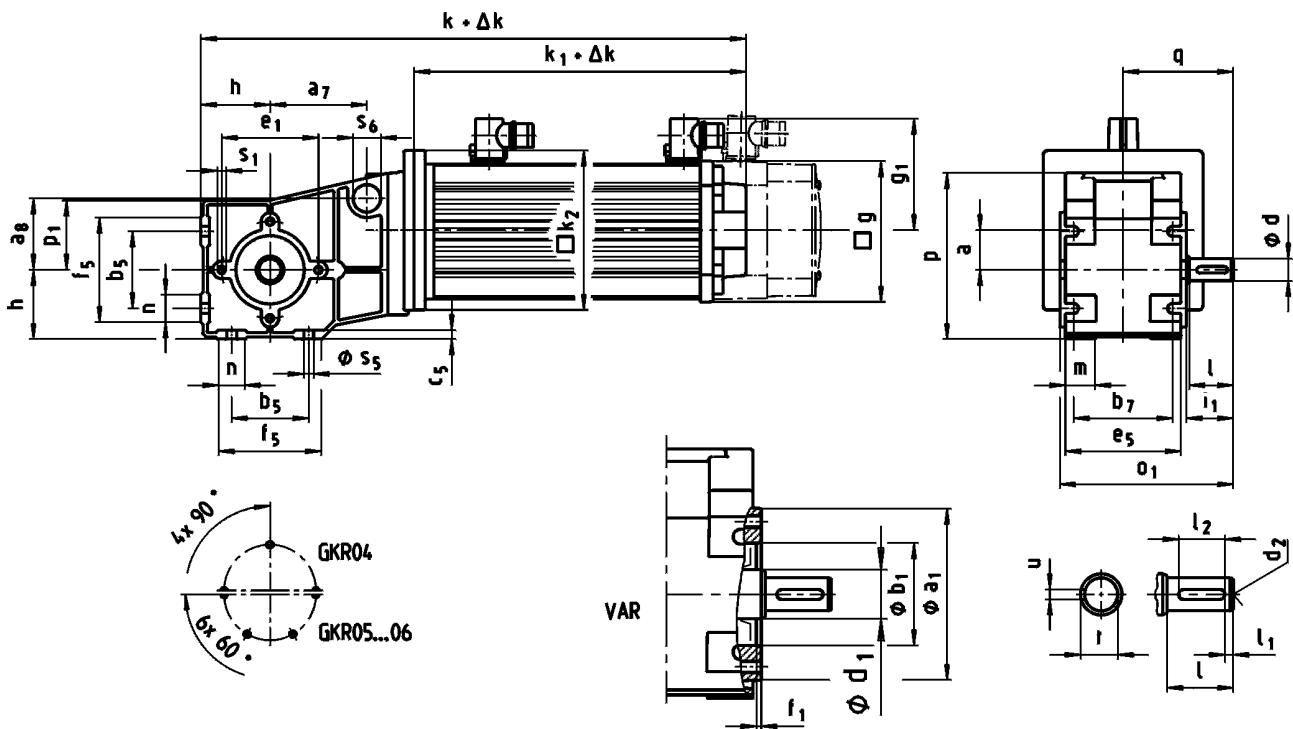
	d	l	d ₁	l ₁	l ₂	u	t	a ₂	b ₂	c ₂	e ₂	f ₂	i ₂	s ₂	
	H7					JS9	+0,2		j7					4x90°	
GKR04...	20	120	30	105	25	6	22.8	120	80	8	100	3	20	7	
	25		35			8	27 ¹⁾							160	110
GKR05...	30	143	50	127		10	38.3	200	130		12	165	3.5	33.5	11
	35					12	43.3								
GKR06...	40	170	65	150	30	14	48.8	250	180	215		4	41.5	14	
	45					14	48.8	250	180	215		4	41.5		

¹⁾ DIN 6885/3



GKR [mm]

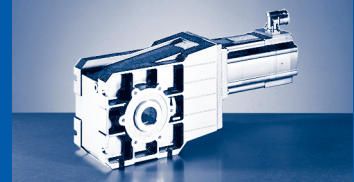
GKR□□-2A (MCA)



GKR□□-2A V□R ... RSO

		10L C40 ...S00	13L C41 ...S00	13L C34 ...F10	14L C20 ...S00	14L C41 ...S00	14L C16 ...F10	14L C35 ...F10	17N C23 ...S00	17N C41 ...S00	17N C17 ...F10	17N C35 ...F10
GKR04...	k	459	467	535								
GKR05...	k	512	521	589	571		633					
GKR06...	k	564	572	640	622		684	661		750		
...RSO B0 ¹⁾	Δk	0										
...RSO P□ ¹⁾	Δk	25	35			33			35			
	k_1	258	267	335	307		369		346		435	
	k_2	145					180					
	g	102	131			142			165			
	g_1	90	102			109			118			

¹⁾ → 803 - SRS/SRM/ECN/EQN/EQI/S20/T20/CDD



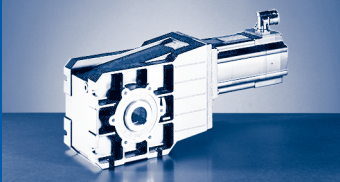
GKR□□-2A V□R

	o	o ₁	p	p ₁	h	a	q	a ₇	a ₈	s ₆
GKR04...	189	158	151	63	63	36	100	88	65	25x17
GKR05...	251	199	181	82	80	40	131.5	-	-	-
GKR06...	307	235	226	100	100	51	155	-	-	-

	b ₅	b ₇	c ₅	e ₅	f ₅	m	n	s ₅
GKR04...	70	90	8	105	95	28	25	9
GKR05...	100	100	11	115	138	27	48	
GKR06...	120	125	12	145	164	32	53	11

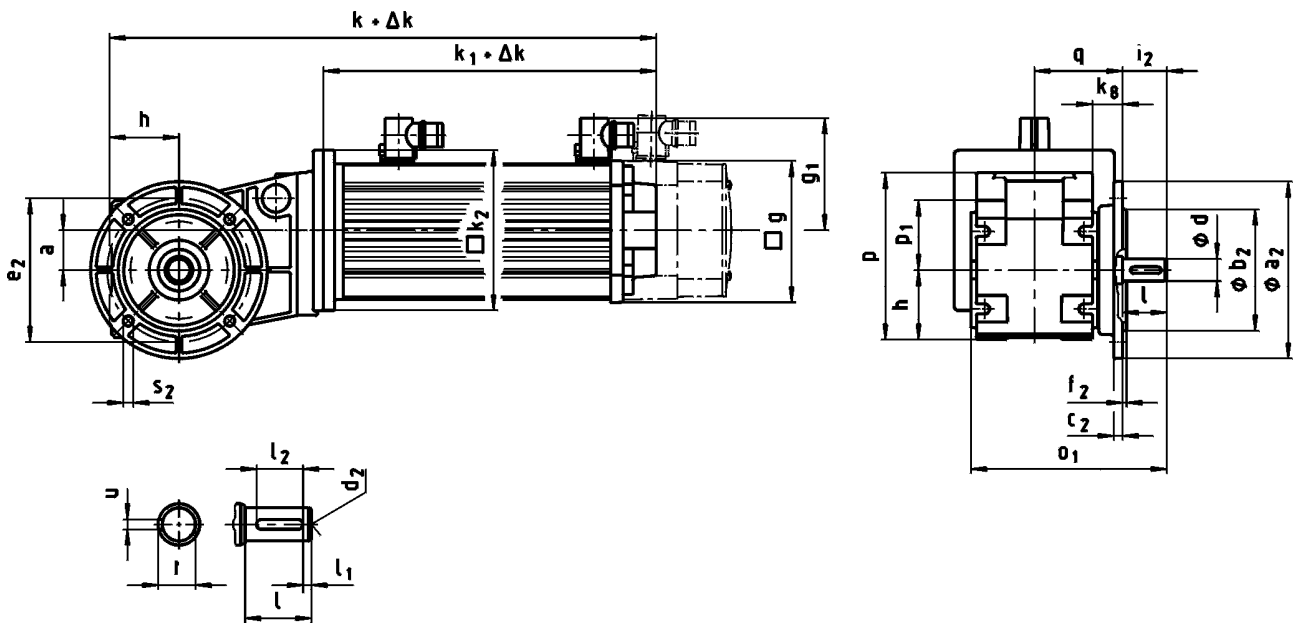
	d	l	d ₁	l ₁	l ₂	d ₂	u	t	a ₁	b ₁	e ₁	f ₁	i ₁	s ₁
										J7				
GKR04...	20	40	30	5	28	M6	6	22.5	104	62	88	3	42.5	M8x16
GKR05...	30	60	50	6	45	M10	8	33	116	80	100	4	64	M8x15
GKR06...	35	70	65	7	56	M12	10	38	140	100	120		75	M10x22

d ≤ 50 mm: k6; d > 50 mm: m6



GKR [mm]

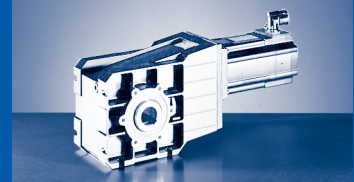
GKR□□-2A (MCA)



GKR□□-2A VAK ... RSO

		10I C40 ...S00	13I C41 ...S00	13I C34 ...F10	14L C20 ...S00	14L C41 ...S00	14L C16 ...F10	14L C35 ...F10	17N C23 ...S00	17N C41 ...S00	17N C17 ...F10	17N C35 ...F10
GKR04...	k	459	467	535								
GKR05...	k	512	521	589	571		633					
GKR06...	k	564	572	640	622		684	661			750	
...RSO B0 ¹⁾	Δ k	0										
...RSO P□ ¹⁾	Δ k	25	35			33				35		
	k ₁	258	267	335	307		369		346		435	
	k ₂	145					180					
	g	102	131			142				165		
	g ₁	90	102			109				118		

¹⁾ → 803 - SRS/SRM/ECN/EQN/EQI/S20/T20/CDD

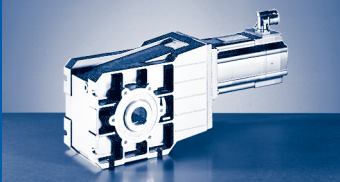


GKR□□-2A VAK

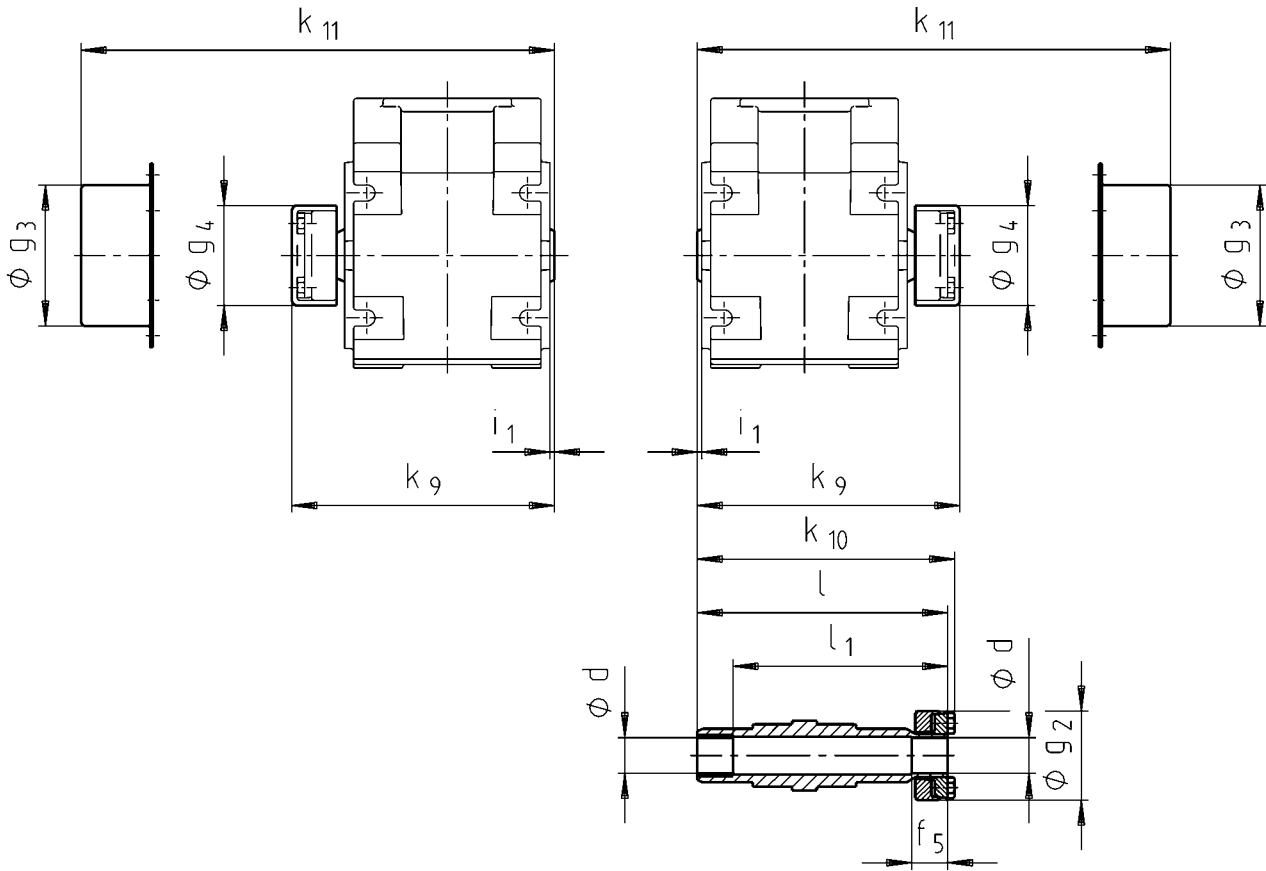
	o	o ₁	p	p ₁	h	a	q	k ₈
GKR04...	189	178	151	63	63	36	80.5	28
GKR05...	251	233	181	82	80	40	105	48
GKR06...	307	277	226	100	100	51	126.5	54

	d	l	l ₁	l ₂	d ₂	u	t	a ₂	b ₂	c ₂	e ₂	f ₂	i ₂	s ₂		
									j7					4x90°		
GKR04...	20	40	5	28	M6	6	22.5	120	80	8	100	3	40	7		
								160	110		130	3.5	60	11		
GKR05...	30	60	6	45	M10	8	33	200	130	165	12				70	14
GKR06...	35	70	7	56	M12	10	38	250	180	215						

d ≤ 50 mm: k6; d > 50 mm: m6

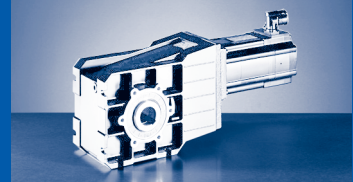


Hollow shaft with shrink disc

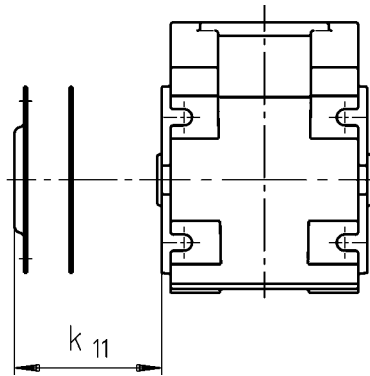


	Machine shaft	Hollow shaft with shrink disc					Protective cap		Cover		
	d	i ₁	k ₁₀	g ₂	l	l ₁	f ₅	k ₉	g ₄	k ₁₁	g ₃
	h6										
GKR03...	20	2.5	124	50	120	100	20	126	54	138	65
GKR04...			144		140	120		146		158	79
GKR05...	30	4	177	80	171	151	28	179	84	182	90
	35				204	174		30		212	94
GKR06...	40	5	210	90	204	174	30	212	94	214	100

- ▶ Ensure that the strength of the shaft material is adequate in shrink disc designs. When using typical steels (e.g. C45, 42CrMo4), the torques listed in the selection tables can be used without restriction. When using material that is considerably weaker, please consult us. Medium surface roughness Rz must not exceed 15 µm (turning operation is sufficient).

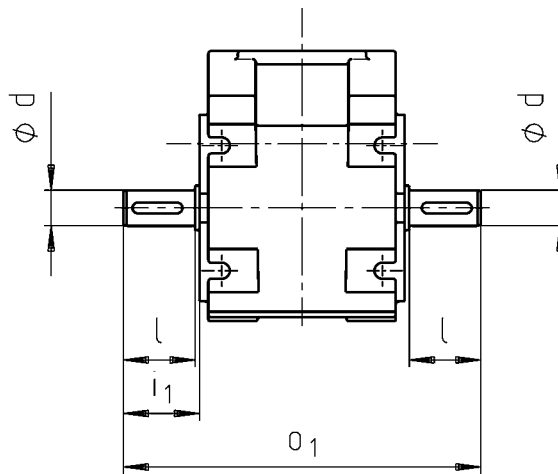


Hoseproof hollow shaft cover

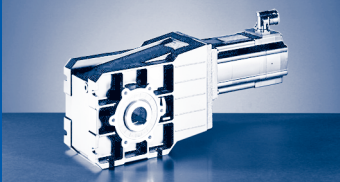


	Cover including seal
	k_{11}
GKR03...	9
GKR04...	10
GKR05...	11

Gearbox with 2nd output shaft end

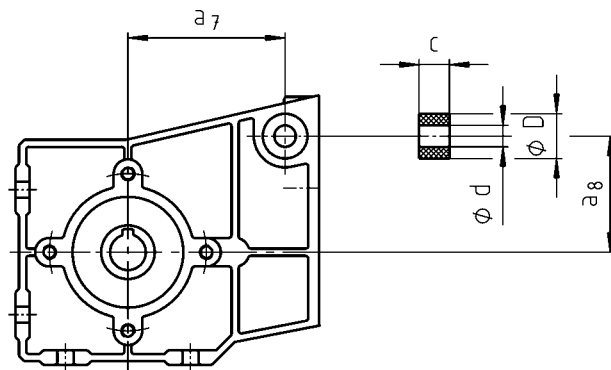


	d	l	i_1	o_1
GKR03...	20	40	42.5	180
GKR04...				200
GKR05...	30	60	64	263
GKR06...	35	70	75	310

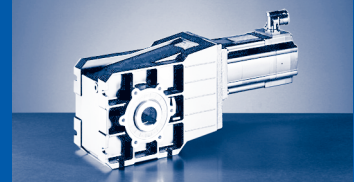


GKR & [mm]

Rubber buffer for torque plate

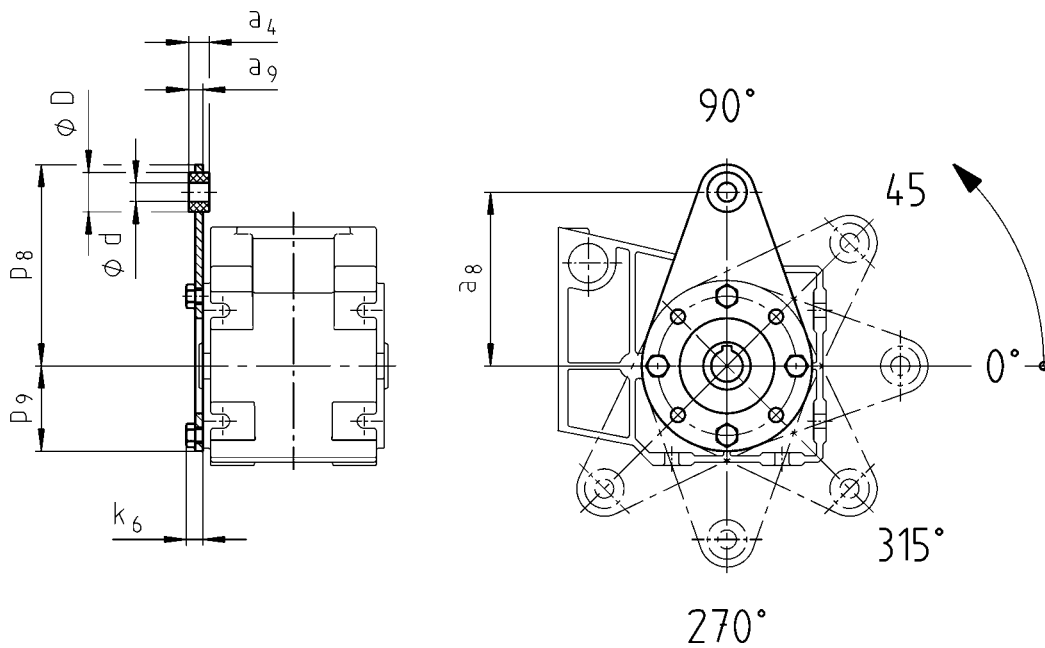


	d	D	c	a ₇	a ₈
GKR03...	10	25	13	66	39
GKR04...				88	65



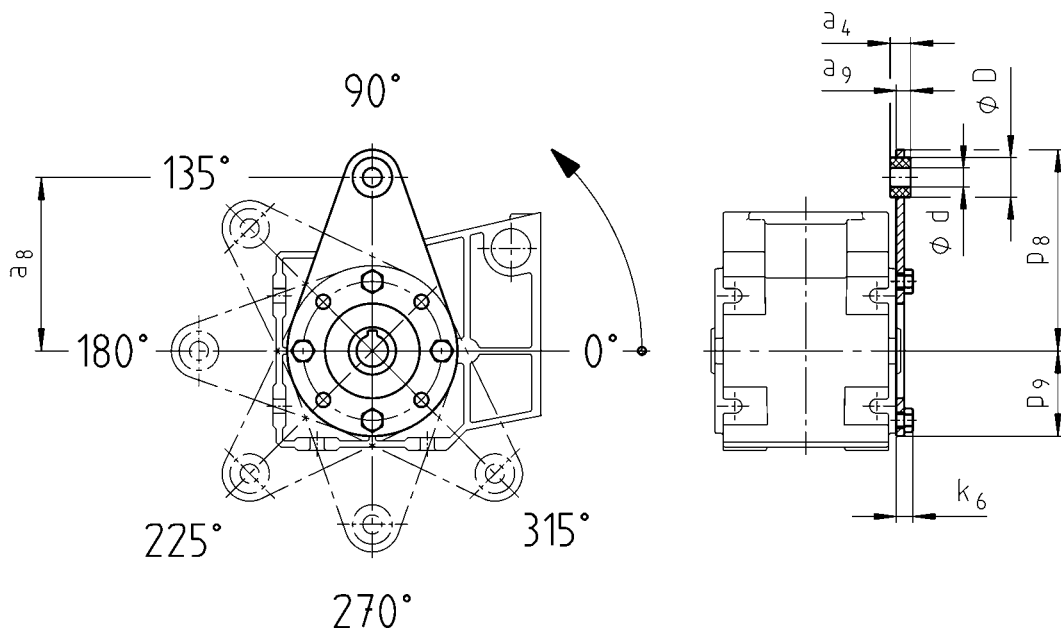
GKR03/04

Torque plate at threaded hole circle in position 3

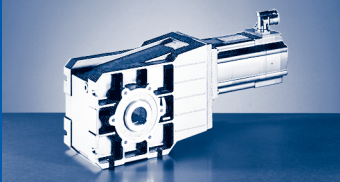


GKR03/04

Torque plate at threaded hole circle in position 5



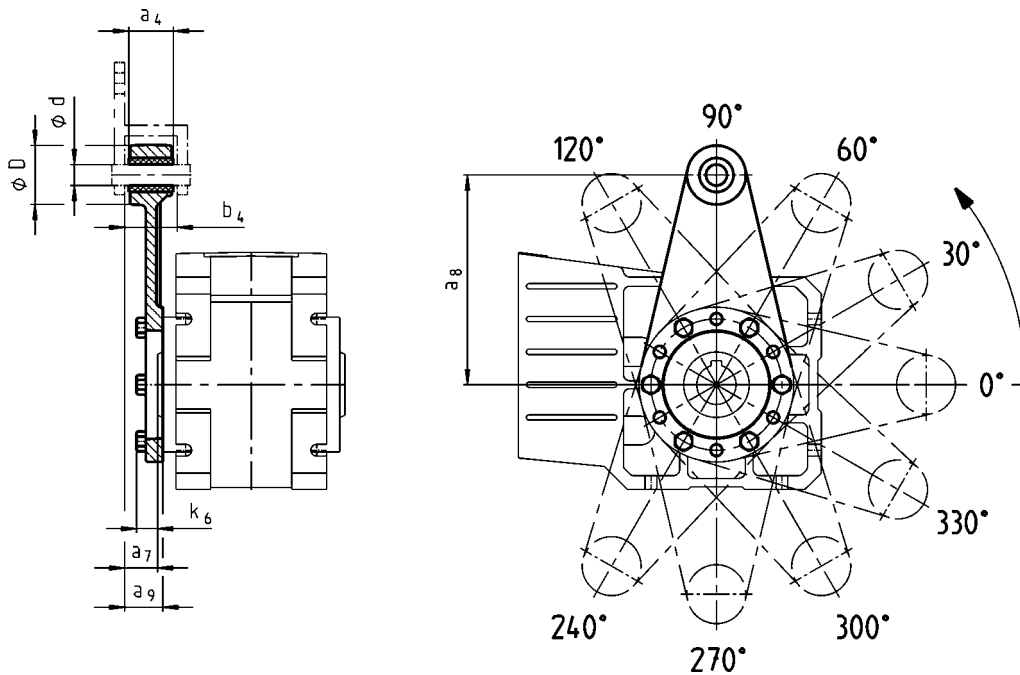
	a ₄	a ₈	a ₉	d	D	k ₆	P ₈	P ₉
GKR03...	12	100	8	8	20	9	115	42
GKR04...	13	110	9	10	25	11	128	52



GKR & [mm]

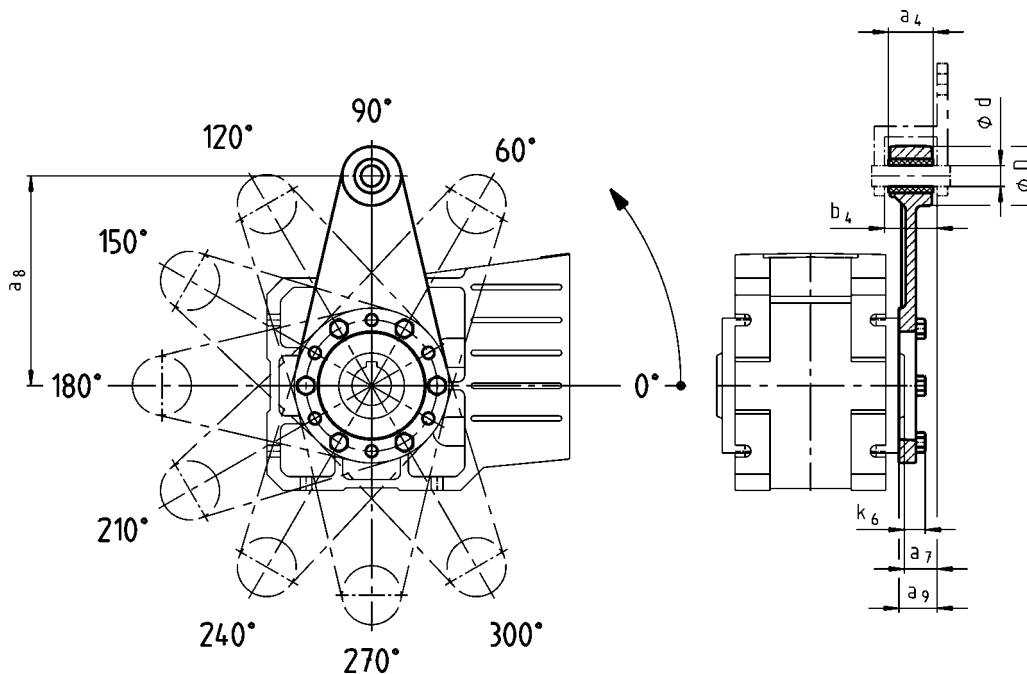
GKR05/06

Torque plate at threaded hole circle in position 3

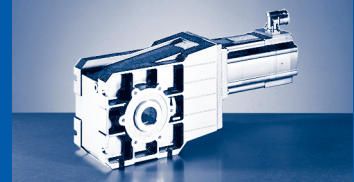


GKR05/06

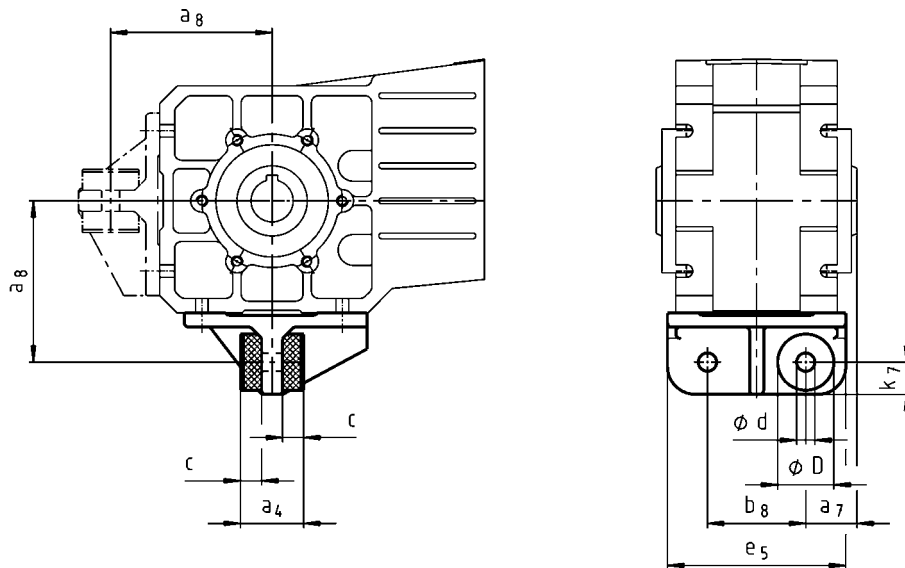
Torque plate at threaded hole circle in position 5



	Installation space							
	a ₇	b ₄	a ₄	a ₈	a ₉	d	D	k ₆
GKR05...	23.5	38.5	34	160	27.5	16	45	15
GKR06...	28	44.5	40	200	33	20	50	18

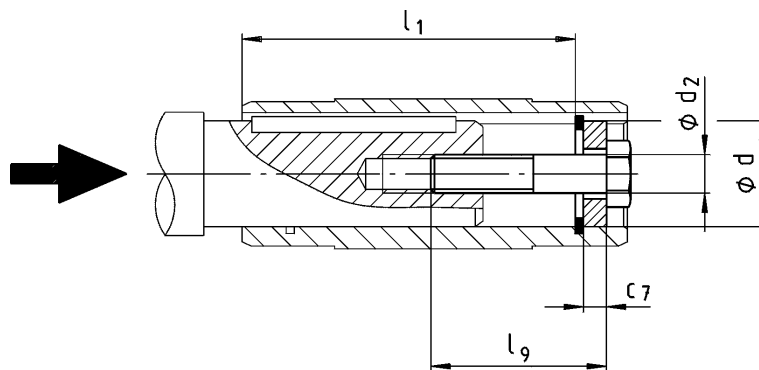


GKR05 / 06
Torque plate at casing foot in position 4 or 6

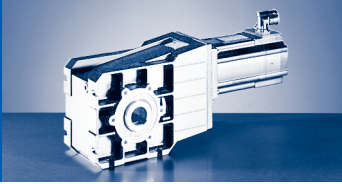


	a ₄	a ₇	a ₈	b ₈	c	d	D	e ₅	k ₇
GKR05...	45	36.5	115	70	15	13	40	127	25
GKR06...	72	45	145	80	27	17	50	145	28

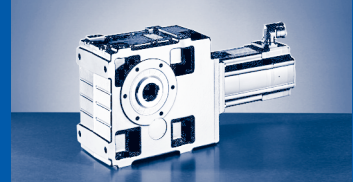
Mounting set for hollow shaft circlip
Proposed design for auxiliary tools



	Hollow shaft		Hollow shaft circlip mounting set (Assembly auxiliaries)		
	d	l ₁	d ₂	l ₉	c ₇
	H7				
GKR03...	18	85	M6	40	4
GKR04...	20				
GKR05...	25	127	M10	50	5
	30				6
GKR06...	35	150	M12	60	7
	40				8
	45				9



GKR & [mm]



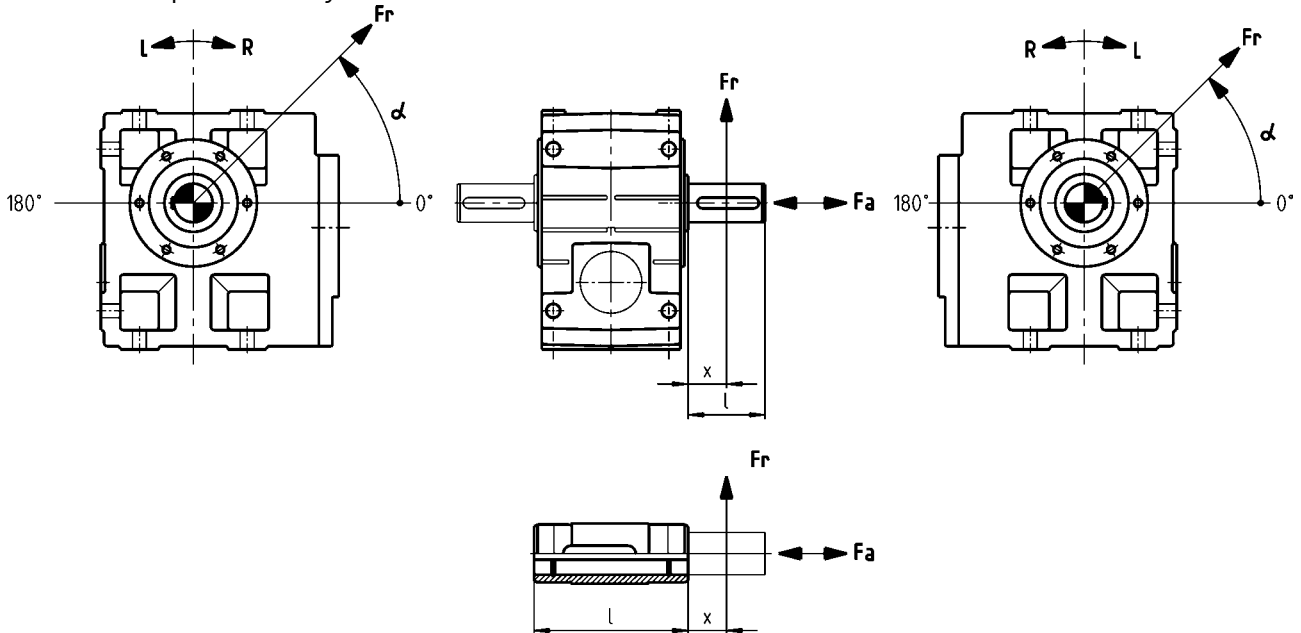
Permissible radial force

$$Fr_{zul} = \min(f_w \times f_{\alpha} \times Fr_{Tab}; f_w \times Fr_{max})$$

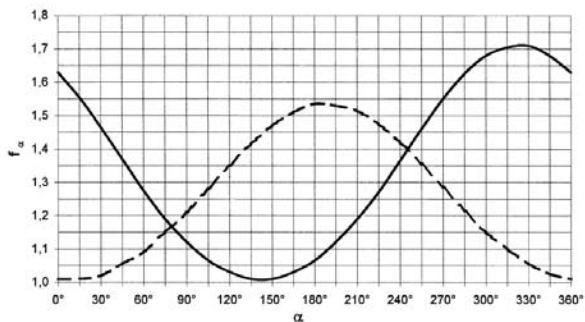
Permissible axial force

$$Fa_{zul} = Fa_{Tab} \text{ at } Fr = 0$$

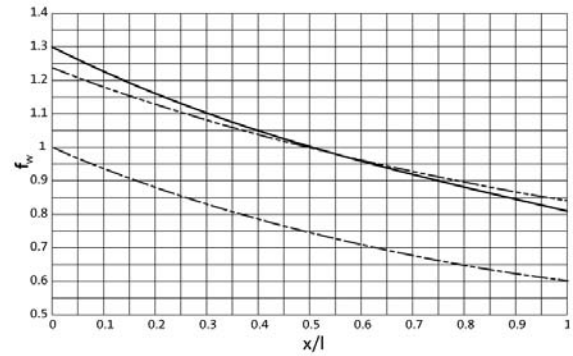
At Fr and $Fa \neq 0$ please contact your Lenze sales office.



Effective direction factor f_{α} at output shaft

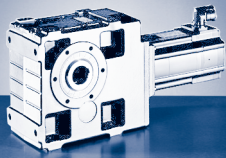


Additional load factor f_w at output shaft



- Direction of rotation R
- - - Direction of rotation L

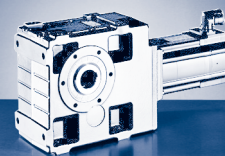
- Solid shaft (V□R)
- - - Solid shaft with flange (V□K)
- · - Hollow shaft (H□□)



Solid shaft without flange (V□R)														
Application of force Fr: centre of shaft journal (x = l/2)														
Fa _{Tab} only valid for Fr = 0														
	GKS04-3		GKS05-3/4		GKS06-3/4		GKS07-3/4		GKS09-3/4 ¹⁾		GKS11-3/4 ¹⁾		GKS14-3/4	
n ₂ [r/min]	Fr _{Tab} [N]	Fa _{Tab} [N]	Fr _{Tab} [N]	Fa _{Tab} [N]	Fr _{Tab} [N]	Fa _{Tab} [N]	Fr _{Tab} [N]	Fa _{Tab} [N]	Fr _{Tab} [N]	Fa _{Tab} [N]	Fr _{Tab} [N]	Fa _{Tab} [N]	Fr _{Tab} [N]	Fa _{Tab} [N]
630	2400	3300	2200	2800	2700	3500	-	-	-	-	-	-	-	-
400	3000	4200	2800	3500	3700	4440	4000	4900	6200	6500	7100	7000	57900	35000
250	3400	5000	3200	4240	4300	5580	4900	6230	6400	7400	7500	8000	61000	35000
160	3600	5500	3600	5090	4900	6930	5800	7820	7100	8000	8200	9200	64100	35000
100	3600	5500	4100	6160	5300	8710	6600	9940	8400	10500	10000	12000	65000	35000
63	3600	5500	4900	6600	6200	10000	8000	12600	9500	13000	11200	14500	65000	35000
40	3600	5500	5800	6600	7900	10000	9600	14000	11800	17000	13000	18500	65000	35000
25	3600	5500	5800	6600	9000	10000	12000	14000	16000	21000	19000	27000	65000	35000
≤ 16	3600	5500	5800	6600	9000	10000	12000	14000	18000	21000	23000	27000	65000	35000
Fr _{max}	3600	-	5800	-	9000	-	12000	-	18000	-	23000	-	65000	-

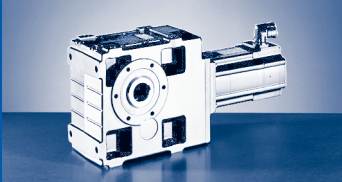
¹⁾ Reinforced output shaft bearings are available on request for V□R versions.

Solid shaft with flange (V□K)														
Application of force Fr: centre of shaft journal (x = l/2)														
Fa _{Tab} only valid for Fr = 0														
	GKS04-3		GKS05-3/4		GKS06-3/4		GKS07-3/4		GKS09-3/4		GKS11-3/4		GKS14-3/4	
n ₂ [r/min]	Fr _{Tab} [N]	Fa _{Tab} [N]	Fr _{Tab} [N]	Fa _{Tab} [N]	Fr _{Tab} [N]	Fa _{Tab} [N]	Fr _{Tab} [N]	Fa _{Tab} [N]	Fr _{Tab} [N]	Fa _{Tab} [N]	Fr _{Tab} [N]	Fa _{Tab} [N]	Fr _{Tab} [N]	Fa _{Tab} [N]
630	3100	3300	3800	2900	4700	3700	-	-	-	-	-	-	-	-
400	3800	4200	4640	3630	6400	4660	7000	5700	9900	6000	14500	7000	20500	8400
250	4300	4400	5420	4440	7500	5880	8250	7000	10500	6600	16000	7500	23700	10000
160	4600	4400	6280	5420	8800	7320	9630	8500	12000	7600	17600	8500	27200	11500
100	4600	4400	7000	6600	9800	9230	11000	10400	14000	10000	21000	10500	31300	13000
63	4600	4400	7000	6600	10000	10000	13000	11500	15000	12000	24500	13000	35000	15000
40	4600	4400	7000	6600	10000	10000	14000	11500	15000	15000	28000	17500	41000	19000
25	4600	4400	7000	6600	10000	10000	14000	11500	15000	17000	30000	27000	43000	28000
≤ 16	4600	4400	7000	6600	10000	10000	14000	11500	15000	17000	30000	27000	43000	35000
Fr _{max}	4600	-	7000	-	10000	-	14000	-	15000	-	30000	-	43000	-



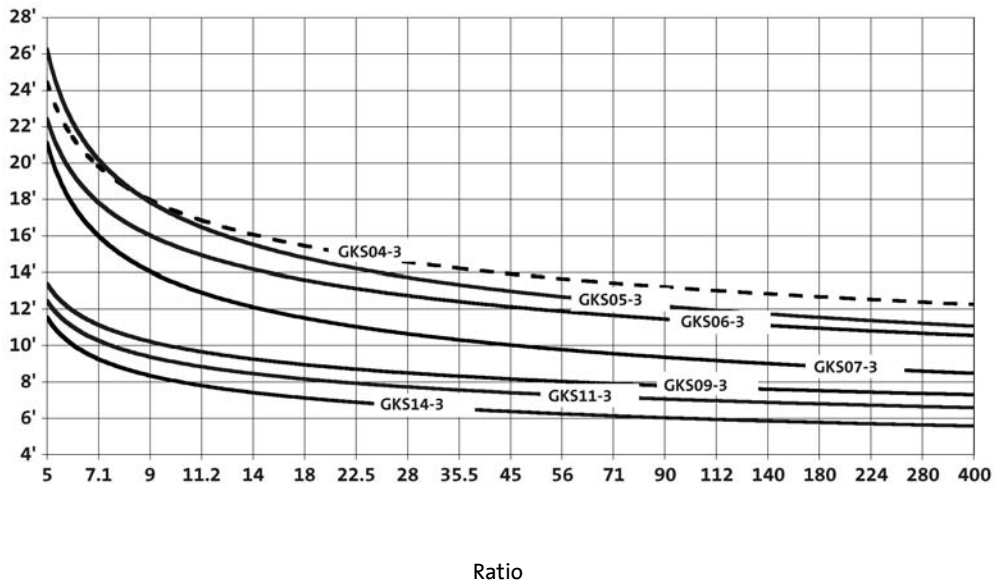
Hollow shaft (H□□)														
Application of force F_r : on hollow shaft end face ($x = 0$)														
$F_{a_{Tab}}$ only valid for $F_r = 0$														
	GKS04-3		GKS05-3/4		GKS06-3/4		GKS07-3/4		GKS09-3/4		GKS11-3/4		GKS14-3/4	
n_2 [r/min]	$F_{r_{Tab}}$ [N]	$F_{a_{Tab}}$ [N]	$F_{r_{Tab}}$ [N]	$F_{a_{Tab}}$ [N]	$F_{r_{Tab}}$ [N]	$F_{a_{Tab}}$ [N]	$F_{r_{Tab}}$ [N]	$F_{a_{Tab}}$ [N]	$F_{r_{Tab}}$ [N]	$F_{a_{Tab}}$ [N]	$F_{r_{Tab}}$ [N]	$F_{a_{Tab}}$ [N]	$F_{r_{Tab}}$ [N]	$F_{a_{Tab}}$ [N]
630	3100	3300	2400	2800	3000	3500	-	-	-	-	-	-	-	-
400	3900	4200	3500	3500	4600	4440	5400	4900	7500	6500	9000	7000	15000	6000
250	4500	5000	4200	4240	5600	5580	6300	6230	8200	7400	10000	8000	15500	8000
160	5100	5500	4630	5090	6400	6930	7400	7820	9400	8000	11000	9200	16500	10000
100	5900	5500	5000	6160	7000	8710	8700	9940	10600	10500	14000	12000	17500	13000
63	6800	5500	6200	6600	8200	10000	10500	12600	12200	13000	16000	14500	18500	16000
40	7000	5500	7300	6600	10400	10000	12500	14000	15500	17000	18500	18500	21000	20000
25	7000	5500	7300	6600	12000	10000	15100	14000	21000	21000	25000	27000	28000	28000
≤ 16	7000	5500	7300	6600	12000	10000	16000	14000	24000	21000	30000	27000	40000	35000
$F_{r_{max}}$	7000	-	7300	-	12000	-	16000	-	24000	-	30000	-	45000	-

- ▶ Neither radial nor axial forces are permissible for the hollow shaft with shrink disc (S□□).

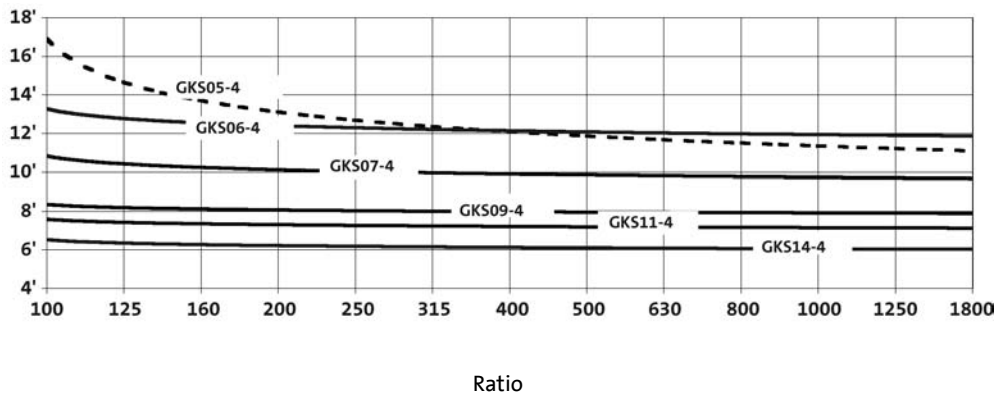


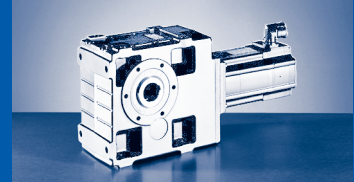
Output backlash in angular minutes

GKS04...14-3



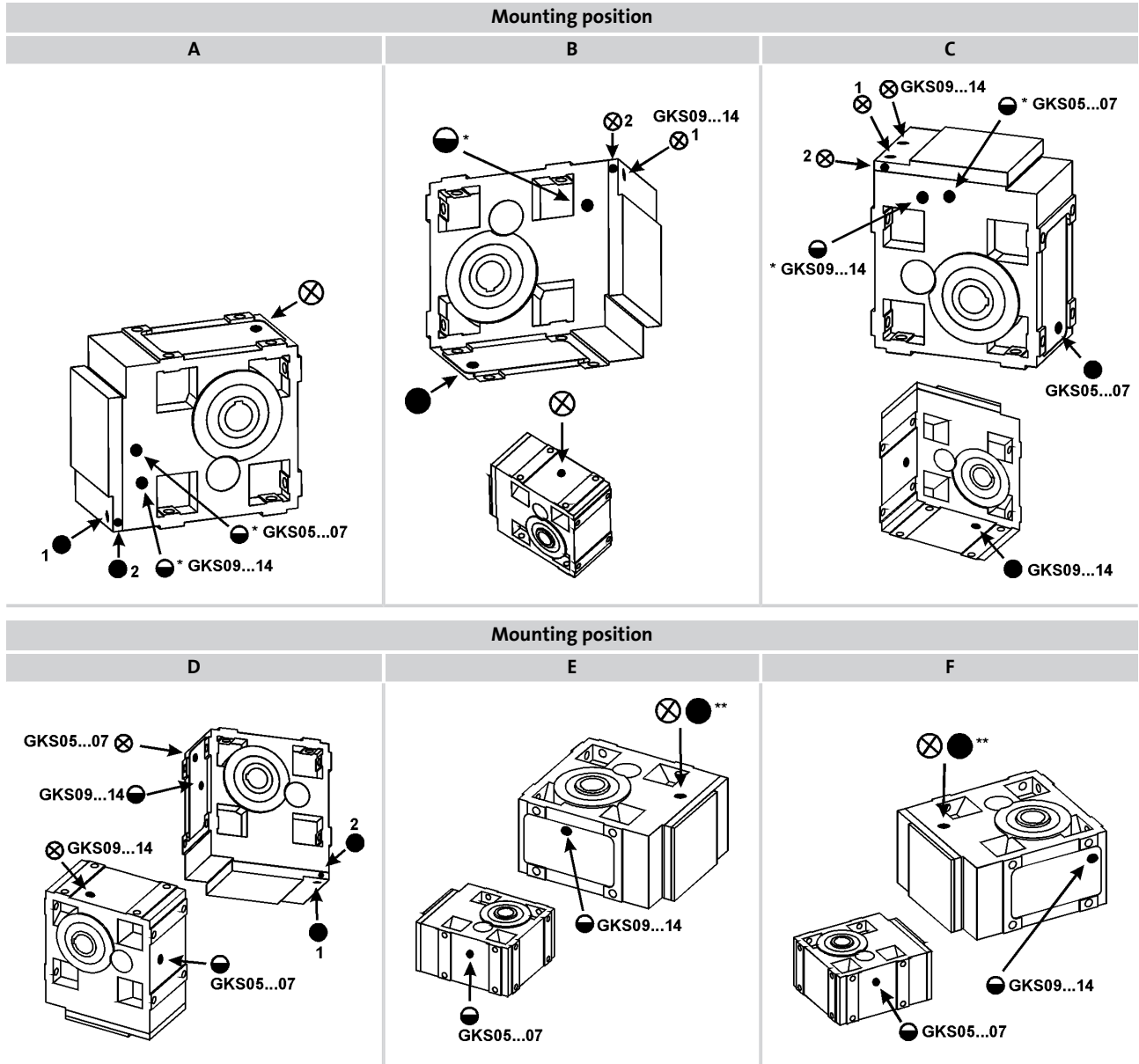
GKS05...14-4





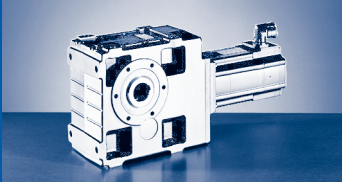
Position of ventilation, sealing elements and oil control

GKS05...14-3



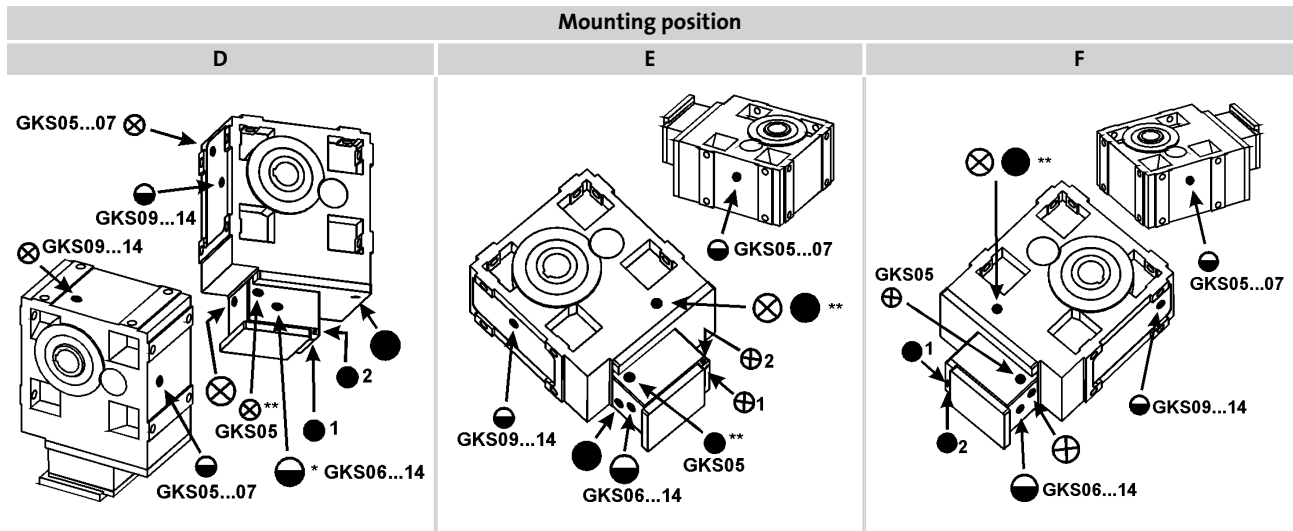
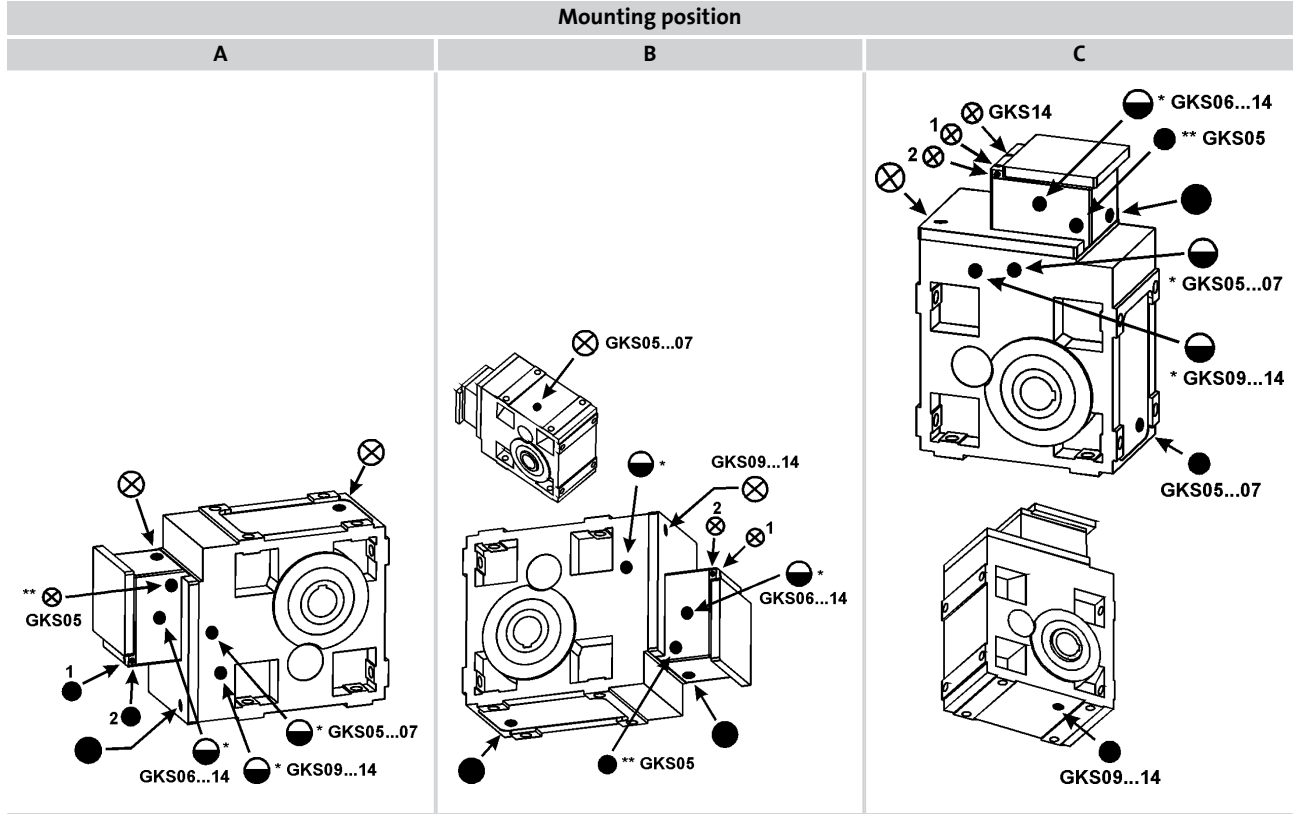
- ⊗ Ventilation/oil filler plug
- Oil drain plug
- Oil control plug
- * On both sides
- ** Opposite

Pos.1 standard
 Pos.2 only on GKS05-3A □□□ 14LC□□



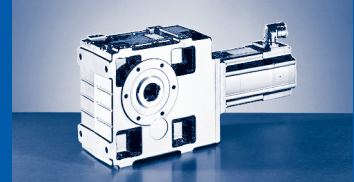
Position of ventilation, sealing elements and oil control

GKS05...14-4

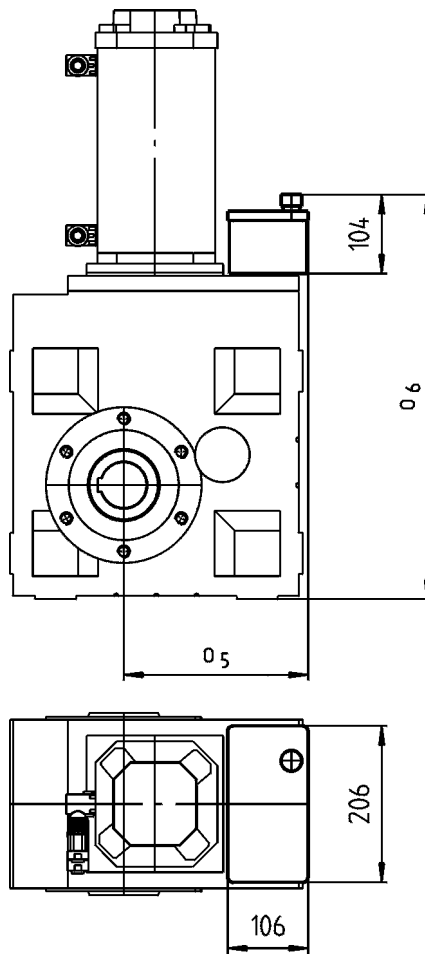


- ⊗ Ventilation/oil filler plug
- Oil drain plug
- Oil control plug
- * On both sides
- ** Opposite

Pos.1 standard
 Pos.2 only on GKS07-4A □□□ 14LC□□

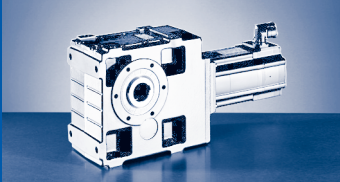


Compensation reservoir for mounting position C



GKS□□-3A...		14LC□□ ¹⁾	17NC□□ ¹⁾	19SC□□ ¹⁾	21XC□□ ¹⁾	GKS□□-3S...		12□C□□	14□C□□	19□C□□
GKS09...	o ₅	243		265	282	GKS09...	o ₅	243		282
	o ₆	533					o ₆	533		
GKS11...	o ₅	258		280	304	GKS11...	o ₅	258		304
	o ₆	626		630			o ₆	626		630
GKS14...	o ₅			313	343	GKS14...	o ₅			343
	o ₆			739			o ₆			739

¹⁾ Connector/terminal box position 4 is not permitted.



GKS [kg]

GKS□□-3S HAR/HBR...RSO B0

	06C C41	06F C41	06I C41	09D C41	09F C38	09H C41	09L C41	12D C20	12D C41	12H C15	12H C30	12H C35	12L C20	12L C41
GKS04...	14	15		17	18	19	21							
GKS05...	23		24	25	26	27	29			32		35		
GKS06...	38		39	40	41	42	44	43		46		49		
GKS07...				66	67	68	70	69		73		76		
GKS09...								119		122		125		

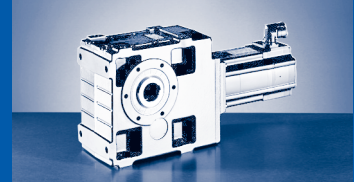
	14D C15	14D C36	14H C15	14H C32	14L C15	14L C32	14P C14	14P C32	19F C14	19F C30	19J C14	19J C30	19P C14	19P C30
GKS06...	48		53		58		63							
GKS07...	75		79		84		89		91		98		108	
GKS09...	124		129		133		138		140		147		157	
GKS11...	224		229		233		238		239		246		256	
GKS14...								409		416		426		

GKS□□-4S HAR/HBR...RSO B0

	06C C41	06F C41	06I C41	09D C41	09F C38	09H C41	09L C41	12D C20	12D C41	12H C15	12H C30	12H C35	12L C20	12L C41
GKS05...	25		26	28	29	30	32							
GKS06...	42		43	45	46	47	49							
GKS07...	71		72	73	74	75	77			80		83		
GKS09...	125		126	127	128	129	131	130		133		137		
GKS11...				235	236	237	239	238		242		245		
GKS14...								425		428		431		

	14D C15	14D C36	14H C15	14H C32	14L C15	14L C32	14P C14	14P C32	19F C14	19F C30	19J C14	19J C30	19P C14	19P C30
GKS09...	135		140		145		150							
GKS11...	244		249		253		258		261		268		278	
GKS14...	430		435		439		444		446		453		463	

Note additional weights.
Weights in [kg] with oil capacity for mounting position A, all given as approximate values



GKS□□-3A HAR/HBR...RSO B0

	10I C40 ...S00	13I C41 ...S00	13I C34 ...F10	14L C20 ...S00	14L C41 ...S00	14L C16 ...F10	14L C35 ...F10	17N C23 ...S00	17N C41 ...S00
GKS04...	18	23	24						
GKS05...	28	32	34		38		40		
GKS06...	42	46	48		52		54		60
GKS07...	68	72	74		78		80		86
GKS09...					126		128		134
GKS11...					226		228		234
GKS14...									

	17N C17 ...F10	17N C35 ...F10	19S C23 ...S00	19S C42 ...S00	19S C17 ...F10	19S C35 ...F10	21X C25 ...S00	21X C42 ...S00	21X C17 ...F10	21X C35 ...F10
GKS05...										
GKS06...	63									
GKS07...	88		109		112		126		129	
GKS09...	137		157		160		175		178	
GKS11...	236		256		259		273		276	
GKS14...			427		430		441		445	

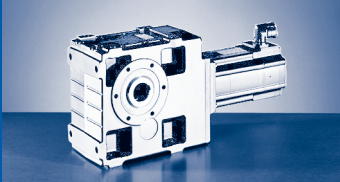
GKS□□-4A HAR/HBR...RSO B0

	10I C40 ...S00	13I C41 ...S00	13I C34 ...F10	14L C20 ...S00	14L C41 ...S00	14L C16 ...F10	14L C35 ...F10	17N C23 ...S00	17N C41 ...S00
GKS05...	29	33	35						
GKS06...	46	50	52						
GKS07...	76	80	82		86		88		
GKS09...	129	133	135		139		141		147
GKS11...	237	241	243		247		249		255
GKS14...					432		434		440

	17N C17 ...F10	17N C35 ...F10	19S C23 ...S00	19S C42 ...S00	19S C17 ...F10	19S C35 ...F10	21X C25 ...S00	21X C42 ...S00	21X C17 ...F10	21X C35 ...F10
GKS09...	150									
GKS11...	257		278		282		295		299	
GKS14...	443		463		466		481		484	

Note additional weights.

Weights in [kg] with oil capacity for mounting position A, all given as approximate values



GKS [kg]

Additional weights MCS servo motors

	06C C41	06F C41	06I C41	09D C41	09F C38	09H C41	09L C41	12D C20	12D C41	12H C15	12H C30	12H C35	12L C20	12L C41
...P1	0.3			0.8			0.9							
...P2				0.5			1.2							
...SCS/SCM/SRM/SRS ...ECN/EQN	0.4			0.2			0.3							

	14D C15	14D C36	14H C15	14H C32	14L C15	14L C32	14P C14	14P C32	19F C14	19F C30	19J C14	19J C30	19P C14	19P C30
...P1	1.9						1.5							
...P2	3.1									4.3				
...SCS/SCM/SRM/SRS ...ECN/EQN							0.3							

Additional weights MCA servo motors

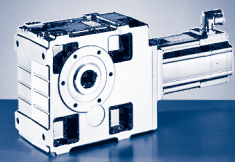
	10I C40 ...S00	13I C41 ...S00	13I C34 ...F10	14L C20 ...S00	14L C41 ...S00	14L C16 ...F10	14L C35 ...F10	17N C23 ...S00	17N C41 ...S00
...P1/P5								2.4	
...P2/P6	0.8	1.4		1.5					
...CDD ...ECN/EQN/EQI ...SCS/SCM/SRM/SRS/S20 ...T20	0.3	0.5		0.6			0.7		

	17N C17 ...F10	17N C35 ...F10	19S C23 ...S00	19S C42 ...S00	19S C17 ...F10	19S C35 ...F10	21X C25 ...S00	21X C42 ...S00	21X C17 ...F10	21X C35 ...F10
...P1/P5	2.4		4.8			5.0				
...P2/P6										
...CDD ...ECN/EQN/EQI ...SCS/SCM/SRM/SRS/S20 ...T20	0.7		1.0			1.1				

Additional weights gearbox

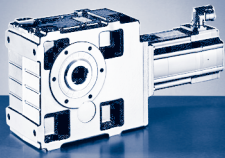
	Solid shaft	2nd output shaft end	Hollow shaft with shrink disc	Flange	Casing foot torque plate	Threaded hole circle torque plate
	V□□	V□□	S□□	□□K		
GKS04...	0.6	0.2	0.6	2.5	1.3	0.9
GKS05...	1	0.3	0.8	4	2.2	1.3
GKS06...	2.5	0.8	1	7	3.7	2.1
GKS07...	5	1.5	1.5	11	6.6	3.7
GKS09...	8	2.7	3	16	13	
GKS11...	16	6.3	5	24	23	
GKS14...	33	12	11	33	44	

Weights in [kg]



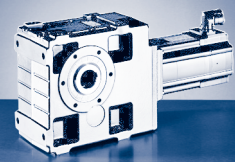
► $i_g = z_g / z_t$

	i	z_g	z_t
GKS04-3	5.123	67620	13200
	7.025	77280	11000
	8.167	73500	9000
	8.991	83076	9240
	9.836	108192	11000
	11.730	77420	6600
	13.067	78400	6000
	14.333	90300	6300
	16.087	88480	5500
	17.920	89600	5000
	20.588	95116	4620
	22.522	123872	5500
	25.088	125440	5000
	28.727	132720	4620
	32.000	134400	4200
	35.191	139356	3960
	39.200	141120	3600
	44.240	145992	3300
	50.943	168112	
	56.976	150416	2640
	64.978	180120	2772
	72.210	174748	2420
	79.598	189126	2376
	90.491	179172	1980
	100.067	198132	
	111.467	200640	1800
	128.874	204136	1584
	143.556	206720	1440
	163.332	237158	1452
	181.939	240160	1320
204.682	243162	1188	
228.000	246240	1080	
269.660	249166	924	
300.381	252320	840	
GKS05-3	6.863	73500	10710
	9.412	84000	8925
	10.569	80850	7650
	11.667	83300	7140
	13.176	117600	8925
	14.494	92400	6375
	16.000	95200	5950
	17.054	86975	5100
	19.216	88200	4590
	23.388	99400	4250
26.353	100800	3825	



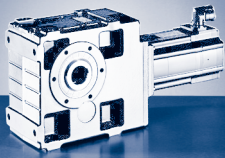
► $i_g = z_g / z_t$

	i	z_g	z_t
GKS05-3	29.931	106855	3570
	32.744	139160	4250
	36.894	141120	3825
	41.765	149100	3570
	47.059	151200	3213
	51.162	156555	3060
	57.647	158760	2754
	66.592	203770	3060
	75.033	206640	2754
	82.833	168980	2040
	93.333	171360	1836
	107.196	218680	2040
	120.784	221760	1836
	130.097	221165	1700
	146.588	224280	1530
	166.276	226135	1360
	187.353	229320	1224
	211.200	228096	1080
	227.484	227484	1000
	256.320	230688	900
290.745	232596	800	
327.600	235872	720	
GKS05-4	95.238	8568000	89964
	114.987	8796480	76500
	126.933	9063040	71400
	146.667	9424800	64260
	161.905	9710400	59976
	185.547	9462880	51000
	209.067	9596160	
	225.867	10367280	45900
	236.667	10138800	42840
	289.917	10645740	36720
	326.667	10795680	33048
	364.467	11152680	30600
	410.667	11309760	27540
	469.389	11490640	24480
	510.000	13109040	25704
	528.889	11652480	22032
	594.894	13349420	22440
	670.303	13537440	20196
	820.760	11818944	14400
	924.800	11985408	12960
1040.215	13730832	13200	
1172.073	13924224	11880	
1303.560	14078448	10800	



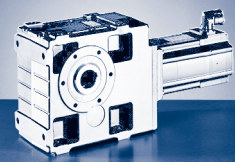
$$\triangleright i_g = z_g / z_t$$

	i	z _g	z _t
GKS05-4	1468.800	14276736	9720
	1717.389	14426064	8400
	1935.086	14629248	7560
GKS06-3	6.485	66150	10200
	9.196	70350	7650
	10.147	72450	7140
	11.382	81270	
	12.612	80400	6375
	14.824	75600	5100
	16.699	76650	4590
	17.809	89010	4998
	20.329	86400	4250
	22.902	87600	3825
	26.017	92880	3570
	28.461	120960	4250
	32.063	122640	3825
	36.303	129600	3570
	41.472	103680	2500
	44.471	136080	3060
	53.074	111456	2100
	57.882	177120	3060
	65.207	179580	2754
	72.000	146880	2040
	81.111	148920	1836
	93.176	190080	2040
	104.967	192720	1836
	113.082	192240	1700
	127.392	194910	1530
	142.941	194400	1360
	161.029	197100	1224
	190.080	228096	1200
	214.133	231264	1080
	230.688	230688	1000
259.880	233892	900	
291.600	233280	800	
328.500	236520	720	
GKS06-4	103.721	7776000	74970
	113.205	10184400	89964
	127.059	8164800	64260
	140.816	8445600	59976
	155.647	8573040	55080
	174.336	11202840	64260
	202.588	11158560	55080
	224.524	11542320	51408
	252.000	9253440	36720



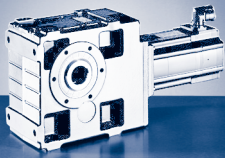
► $i_g = z_g / z_t$

	i	z_g	z_t
GKS06-4	279.286	9571680	34272
	316.800	9694080	30600
	361.429	12386880	34272
	408.000	9987840	24480
	458.067	14390640	31416
	517.091	11603520	22440
	555.927	14554170	26180
	640.800	13072320	20400
	696.668	14922630	21420
	812.137	15186960	18700
	914.907	15397890	16830
	1017.741	15571440	15300
	1146.529	15787710	13770
	1340.834	15955920	11900
	1510.507	16177530	10710
GKS07-3	5.955	65280	10962
	8.254	74880	9072
	9.171	71808	7830
	10.124	73984	7308
	11.378	107520	9450
	12.711	82368	6480
	14.798	77248	5220
	16.674	78336	4698
	17.270	91392	5292
	20.511	88608	4320
	23.111	89856	3888
	25.244	95424	3780
	28.274	127232	4500
	31.858	129024	4050
	36.063	136320	3780
	40.906	107991	2640
	44.178	143136	3240
	50.345	116298	2310
	57.501	186304	3240
	64.790	188928	2916
	70.474	152224	2160
	79.407	154368	1944
	92.563	199936	2160
	104.296	202752	1944
	112.338	202208	1800
	126.578	205056	1620
	140.548	185523	1320
	158.364	188136	1188
184.600	243672	1320	
208.000	247104	1188	



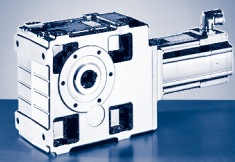
$$\blacktriangleright i_g = z_g / z_t$$

	i	z_g	z_t
GKS07-3	224.037	246441	1100
	252.436	249912	990
	283.193	249210	880
	319.091	252720	792
GKS07-4	103.039	8179200	79380
	112.391	10705920	95256
	126.222	8588160	68040
	137.748	8747520	63504
	154.622	9017568	58320
	179.201	14631424	81648
	201.254	11737152	58320
	222.909	12133376	54432
	246.659	9590112	38880
	273.199	9913856	36288
	321.049	12482368	38880
	358.829	13021184	36288
	399.353	10351232	25920
	464.367	16850944	36288
	516.810	13395712	25920
	563.572	17042432	30240
	636.581	13750144	21600
	683.972	17236096	25200
	823.810	17794304	21600
	928.237	18044928	19440
999.806	17996512	18000	
1126.542	18249984	16200	
1277.842	18400928	14400	
1439.822	18660096	12960	
GKS09-3	12.283	87516	7125
	13.360	88842	6650
	16.122	96492	5985
	17.536	97954	5586
	19.541	92820	4750
	22.022	94146	4275
	25.649	102340	3990
	29.228	133280	4560
	32.940	135184	4104
	35.193	140420	3990
	39.662	142426	3591
	43.146	147560	3420
	48.625	149668	3078
	58.456	199920	3420
	65.879	202776	3078
	70.982	161840	2280
79.996	164152	2052	



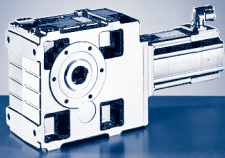
► $i_g = z_g / z_t$

	i	z _g	z _t
GKS09-3	91.860	209440	2280
	103.524	212432	2052
	111.484	211820	1900
	125.641	214846	1710
	140.921	214200	1520
	158.816	217260	1368
	182.000	240240	1320
	205.111	243672	1188
	220.882	242970	1100
	248.930	246441	990
	279.205	245700	880
	314.659	249210	792
	GKS09-4	100.551	8425200
113.320		8545560	75411
123.275		8853600	71820
138.929		8980080	64638
151.012		9296280	61560
170.188		9429084	55404
204.596		12594960	61560
230.577		12774888	55404
248.439		10195920	41040
279.986		10341576	36936
323.365		13270880	41040
364.427		13460464	36936
402.234		11005120	27360
453.311		11162336	24624
520.538		14241920	27360
586.638		14445376	24624
631.744		14403760	22800
711.965		14609528	20520
817.551		18640160	22800
921.367		18906448	20520
992.209		18851980	19000
1118.204	19121294	17100	
1254.197	19063800	15200	
1413.461	19336140	13680	
GKS11-3	12.094	95238	7875
	13.154	96681	7350
	15.874	105006	6615
	17.265	106597	6174
	19.515	102453	5250
	21.989	103896	4725
	25.615	112961	4410
	28.021	147112	5250
	31.573	149184	4725



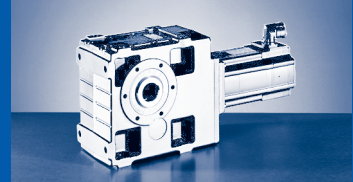
$$\triangleright i_g = z_g / z_t$$

	i	z _g	z _t
GKS11-3	35.741	157620	4410
	40.272	159840	3969
	43.783	165501	3780
	49.333	167832	3402
	57.683	218041	3780
	64.995	221112	3402
	70.887	178636	2520
	79.873	181152	2268
	91.737	231176	2520
	103.365	234432	2268
	111.335	233803	2100
	125.448	237096	1890
	140.732	236430	1680
	158.571	239760	1512
	186.572	268664	1440
	210.222	272448	1296
	226.431	271717	1200
	255.133	275544	1080
	286.219	274770	960
	322.500	278640	864
GKS11-4	102.119	9457200	92610
	115.063	9590400	83349
	125.095	9930060	79380
	140.952	10069920	71442
	153.242	10426563	68040
	172.667	10573416	61236
	201.890	13736583	68040
	227.481	13930056	61236
	248.106	11254068	45360
	279.556	11412576	40824
	322.931	14648152	45360
	363.866	14854464	40824
	395.787	11968612	30240
	445.958	12137184	27216
	512.196	15488792	30240
	577.122	15706944	27216
	621.619	15664801	25200
	700.416	15885432	22680
	816.455	20574664	25200
	919.949	20864448	22680
990.879	20808467	21000	
1116.484	21101544	18900	
1252.516	21042270	16800	
1411.286	21338640	15120	



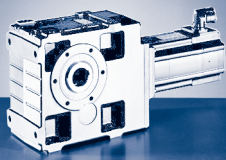
► $i_g = z_g / z_t$

	i	z_g	z_t
GKS14-3	12.435	102960	8280
	13.525	104520	7728
	16.646	112560	6762
	18.311	147400	8050
	20.065	110760	5520
	22.609	112320	4968
	24.696	119280	4830
	27.165	156200	5750
	30.609	158400	5175
	34.692	167560	4830
	39.089	169920	4347
	42.531	176080	4140
	47.923	178560	3726
	56.251	232880	4140
	63.382	236160	3726
	68.942	190280	2760
	77.681	192960	2484
	90.551	249920	2760
	102.029	253440	2484
	109.896	252760	2300
	123.826	256320	2070
	138.913	255600	1840
	156.522	259200	1656
	186.572	268664	1440
	210.222	272448	1296
	226.431	271717	1200
255.133	275544	1080	
286.219	274770	960	
322.500	278640	864	
GKS14-4	97.467	9886040	101430
	109.822	10025280	91287
	119.493	10388720	86940
	134.640	10535040	78246
	158.039	13739920	86940
	178.072	13933440	78246
	193.754	14438560	74520
	218.315	14641920	67068
	237.467	11797360	49680
	267.568	11963520	44712
	321.729	15983520	49680
	362.512	16208640	44712
	390.671	12939040	33120
	440.193	13121280	29808
	513.121	16994560	33120
	578.164	17233920	29808



► $i_g = z_g / z_t$

	i	z_g	z_t
GKS14-4	622.742	17187680	27600
	701.681	17429760	24840
	805.901	22242880	27600
	908.058	22556160	24840
	978.071	22495640	23000
	1102.052	22812480	20700
	1236.326	22748400	18400
	1393.043	23068800	16560



GKS [Nm]

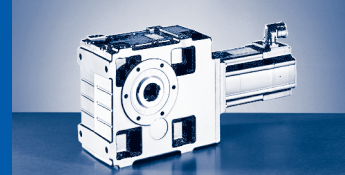
GKS□□-□S (MCS)

$M_{2GN} \leq 187 \text{ Nm}$

GKS04-3S				06CC41	06FC41	06IC41	09DC41	09FC38	09HC41	09LC41
				...500	...500	...500	...500	...500	...500	...500
i	M_{2GN}	J_G	M_1	0.60	1.20	1.50	2.30	3.10	3.80	4.50
			n_1	4050	4050	4050	4050	3750	4050	4050
			I_{M230}	2.6	2.9	3.2	4.6	5.0	6.8	8.4
			I_{M400}	1.3	1.5	1.6	2.3	2.5	3.4	4.2
			P_N	0.25	0.51	0.64	1.00	1.20	1.60	1.90
			J_M	0.17	0.25	0.33	1.13	1.53	1.93	2.83
5.123	81	1.17	M_2				11	15	18	22
			c				5.2	3.9	3.1	2.6
			$n_{2 \text{ Eck}}$				791	732	791	791
			$n_{2 \text{ th}}$				708	674	646	625
7.025	93	0.68	M_2				15	20	25	30
			c				4.3	3.3	2.6	2.2
			$n_{2 \text{ Eck}}$				577	534	577	577
			$n_{2 \text{ th}}$				554	529	508	493
8.167	128	0.86	M_2				17	23	29	34
			c				5.2	3.9	3.1	2.6
			$n_{2 \text{ Eck}}$				496	459	496	496
			$n_{2 \text{ th}}$				444	423	405	392
8.991	103	0.44	M_2			12	19	26	32	38
			c			5.8	3.8	2.9	2.3	1.9
			$n_{2 \text{ Eck}}$			451	451	417	451	451
			$n_{2 \text{ th}}$			450	450	417	450	440
9.836	106	0.38	M_2			13	21	28	35	42
			c			5.5	3.6	2.7	2.2	1.8
			$n_{2 \text{ Eck}}$			412	412	381	412	412
			$n_{2 \text{ th}}$			412	412	381	412	406
11.730	180	0.73	M_2				25	34	41	49
			c				5.0	3.8	3.1	2.6
			$n_{2 \text{ Eck}}$				345	320	345	345
			$n_{2 \text{ th}}$				308	293	281	271
13.067	165	0.70	M_2				28	38	46	55
			c				4.2	3.2	2.5	2.1
			$n_{2 \text{ Eck}}$				310	287	310	310
			$n_{2 \text{ th}}$				267	254	242	234
14.333	164	0.35	M_2			19	30	41	51	61
			c			5.8	3.8	2.9	2.3	1.9
			$n_{2 \text{ Eck}}$			283	283	262	283	283
			$n_{2 \text{ th}}$			283	283	262	283	276
16.087	181	0.44	M_2			22	34	46	57	68
			c			5.7	3.7	2.8	2.2	1.9
			$n_{2 \text{ Eck}}$			252	252	233	252	252
			$n_{2 \text{ th}}$			252	236	225	216	206
17.920	166	0.43	M_2		19	25	38	52	64	76
			c		5.8	4.7	3.1	2.3	1.8	1.6
			$n_{2 \text{ Eck}}$		226	226	226	209	226	226
			$n_{2 \text{ th}}$		226	220	205	195	183	169
20.588	182	0.30	M_2		22	28	44	60	74	88
			c		5.6	4.5	2.9	2.2	1.8	1.5
			$n_{2 \text{ Eck}}$		197	197	197	182	197	197
			$n_{2 \text{ th}}$		197	197	197	182	183	168
22.522	182	0.26	M_2		25	31	48	66	81	96
			c		5.1	4.1	2.7	2.0	1.6	1.4
			$n_{2 \text{ Eck}}$		180	180	180	167	180	180
			$n_{2 \text{ th}}$		180	180	180	167	167	154
25.088	167	0.25	M_2		28	35	54	73	90	107
			c		4.2	3.4	2.2	1.7	1.3	1.1
			$n_{2 \text{ Eck}}$		161	161	161	150	161	161
			$n_{2 \text{ th}}$		161	161	161	149	137	128

$M \dots$ [Nm]
 $n \dots$ [r/min]
 $J \dots$ [kgcm²]

$P \dots$ [kW]
 $I \dots$ [A]
 $i \dots$ [-]
 $c \dots$ [-]

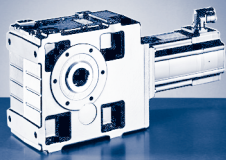


$M_{2GN} \leq 187 \text{ Nm}$

GKS04-3S				06CC41	06FC41	06IC41	09DC41	09FC38	09HC41	09LC41
				...500	...500	...500	...500	...500	...500	...500
i	M_{2GN}	J_G	M_1	0.60	1.20	1.50	2.30	3.10	3.80	4.50
			n_1	4050	4050	4050	4050	3750	4050	4050
			I_{M230}	2.6	2.9	3.2	4.6	5.0	6.8	8.4
			I_{M400}	1.3	1.5	1.6	2.3	2.5	3.4	4.2
			P_N	0.25	0.51	0.64	1.00	1.20	1.60	1.90
			J_M	0.17	0.25	0.33	1.13	1.53	1.93	2.83
28.727	183	0.18	M_2		32	40	62	84	103	123
			c		4.0	3.2	2.1	1.6	1.3	1.1
			$n_{2 \text{ Eck}}$		141	141	141	131	141	141
			$n_{2 \text{ th}}$		141	141	141	131	135	127
32.000	167	0.18	M_2		36	45	69	94	115	
			c		3.3	2.6	1.7	1.3	1.0	
			$n_{2 \text{ Eck}}$		127	127	127	117	127	
			$n_{2 \text{ th}}$		127	127	127	117	113	
35.191	183	0.14	M_2		39	49	76	103	127	
			c		3.3	2.6	1.7	1.3	1.0	
			$n_{2 \text{ Eck}}$		115	115	115	107	115	
			$n_{2 \text{ th}}$		115	115	115	107	115	
39.200	168	0.13	M_2	21	44	55	85	115		
			c	5.4	2.7	2.2	1.4	1.1		
			$n_{2 \text{ Eck}}$	103	103	103	103	96		
			$n_{2 \text{ th}}$	103	103	103	103	96		
44.240	185	0.09	M_2	24	49	62				
			c	6.0	3.0	2.4				
			$n_{2 \text{ Eck}}$	92	92	92				
			$n_{2 \text{ th}}$	92	92	92				
50.943	182	0.18	M_2	28	57	72	111	150		
			c	5.1	2.6	2.1	1.3	1.0		
			$n_{2 \text{ Eck}}$	80	80	80	80	74		
			$n_{2 \text{ th}}$	80	80	80	68	61		
56.976	187	0.06	M_2	31	64	80				
			c	4.7	2.4	1.9				
			$n_{2 \text{ Eck}}$	71	71	71				
			$n_{2 \text{ th}}$	71	71	71				
64.978	183	0.13	M_2	36	73	92	142			
			c	4.0	2.0	1.6	1.1			
			$n_{2 \text{ Eck}}$	62	62	62	62			
			$n_{2 \text{ th}}$	62	62	62	56			
79.598	183	0.10	M_2	44	90	113				
			c	3.3	1.7	1.3				
			$n_{2 \text{ Eck}}$	51	51	51				
			$n_{2 \text{ th}}$	51	51	51				
100.067	185	0.07	M_2	56	114	142				
			c	2.7	1.3	1.1				
			$n_{2 \text{ Eck}}$	41	41	41				
			$n_{2 \text{ th}}$	40	40	40				
111.467	170	0.07	M_2	63	127					
			c	2.4	1.2					
			$n_{2 \text{ Eck}}$	36	36					
			$n_{2 \text{ th}}$	36	36					
128.874	187	0.05	M_2	72	147					
			c	2.3	1.2					
			$n_{2 \text{ Eck}}$	31	31					
			$n_{2 \text{ th}}$	31	31					
143.556	172	0.05	M_2	81						
			c	1.9						
			$n_{2 \text{ Eck}}$	28						
			$n_{2 \text{ th}}$	28						

$M \dots$ [Nm]
 $n \dots$ [r/min]
 $J \dots$ [kgcm²]

$P \dots$ [kW]
 $I \dots$ [A]
 $i \dots$ [-]
 $c \dots$ [-]



GKS [Nm]

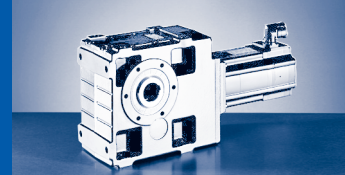
GKS□□-□S (MCS)

$M_{2GN} \leq 331 \text{ Nm}$

GKS05-3S				06CC41	06FC41	06IC41	09DC41	09FC38	09HC41	09LC41
				...500	...500	...500	...500	...500	...500	...500
i	M_{2GN}	J_G	M_1	0.60	1.20	1.50	2.30	3.10	3.80	4.50
			n_1	4050	4050	4050	4050	3750	4050	4050
			I_{M230}	2.6	2.9	3.2	4.6	5.0	6.8	8.4
			I_{M400}	1.3	1.5	1.6	2.3	2.5	3.4	4.2
			P_N	0.25	0.51	0.64	1.00	1.20	1.60	1.90
			J_M	0.17	0.25	0.33	1.13	1.53	1.93	2.83
6.863	147	1.90	M_2					19	24	29
			c				5.4	4.3	3.6	
			$n_{2 \text{ Eck}}$				546	590	590	
			$n_{2 \text{ th}}$				446	427	413	
9.412	165	1.17	M_2				20	27	33	39
			c				5.8	4.4	3.5	2.9
			$n_{2 \text{ Eck}}$				430	398	430	430
			$n_{2 \text{ th}}$				385	366	351	339
10.569	227	1.60	M_2					30	37	44
			c				5.4	4.3	3.6	
			$n_{2 \text{ Eck}}$				355	383	383	
			$n_{2 \text{ th}}$				289	277	268	
11.667	251	1.65	M_2					33	41	48
			c				5.4	4.3	3.6	
			$n_{2 \text{ Eck}}$				321	347	347	
			$n_{2 \text{ th}}$				262	251	243	
13.176	165	0.71	M_2				28	38	47	56
			c				4.1	3.1	2.5	2.1
			$n_{2 \text{ Eck}}$				307	285	307	307
			$n_{2 \text{ th}}$				292	279	268	260
14.494	254	1.05	M_2				30	41	51	61
			c				5.8	4.4	3.5	2.9
			$n_{2 \text{ Eck}}$				279	259	279	279
			$n_{2 \text{ th}}$				250	238	228	220
16.000	280	1.04	M_2				33	45	56	67
			c				5.8	4.4	3.5	2.9
			$n_{2 \text{ Eck}}$				253	234	253	253
			$n_{2 \text{ th}}$				226	215	206	200
17.054	314	1.51	M_2					48	60	71
			c				4.6	3.7	3.1	
			$n_{2 \text{ Eck}}$				220	238	238	
			$n_{2 \text{ th}}$				174	166	161	
19.216	297	1.47	M_2				40	55	68	81
			c				5.1	3.9	3.1	2.6
			$n_{2 \text{ Eck}}$				211	195	211	211
			$n_{2 \text{ th}}$				157	149	143	138
23.388	329	0.96	M_2				49	67	83	99
			c				4.6	3.5	2.8	2.4
			$n_{2 \text{ Eck}}$				173	160	173	173
			$n_{2 \text{ th}}$				149	141	135	131
26.353	298	0.95	M_2				56	76	94	112
			c				3.7	2.8	2.3	1.9
			$n_{2 \text{ Eck}}$				154	142	154	154
			$n_{2 \text{ th}}$				127	120	115	109
29.931	330	0.67	M_2			41	64	87	107	127
			c				5.6	3.6	2.8	2.2
			$n_{2 \text{ Eck}}$				135	135	125	135
			$n_{2 \text{ th}}$				131	122	116	111
32.744	331	0.58	M_2			45	70	95	117	139
			c				5.1	3.3	2.5	2.0
			$n_{2 \text{ Eck}}$				124	124	115	124
			$n_{2 \text{ th}}$				122	113	108	104

$M \dots$ [Nm]
 $n \dots$ [r/min]
 $J \dots$ [kgcm²]

$P \dots$ [kW]
 $I \dots$ [A]
 $i \dots$ [-]
 $c \dots$ [-]

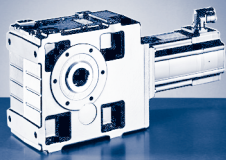


$M_{2GN} \leq 331 \text{ Nm}$

12DC20	12DC41	12HC15	12HC30	12HC35	12LC20	12LC41	GKS05-3S			
...500	...500	...500	...500	...500	...500	...500	M_1	J_G	M_{2GN}	i
5.50	4.30	10.00	8.00	7.50	13.50	11.00	n_1			
1950	4050	1500	3000	3525	1950	4050	I_{M230}			
5.2	8.8	7.6	10.5		11.8		I_{M400}			
2.6	4.5	3.8		5.7	5.9	10.2	P_N			
1.10	1.80	1.60	2.50	2.80	2.80	4.70	J_M			
4.12	4.12	7.42	7.42	7.42	10.72	10.72	M_2			
35	27	64	51	48	88	71	c	1.90	147	6.863
284	590	219	437	2.3	514	284	$n_{2 \text{ Eck}}$			
284	416	219	373	374	284	309	$n_{2 \text{ th}}$			
48	38	89	71	66	120	98	M_2			
3.1	3.1	1.8	1.8	1.9	1.3	1.2	c	1.17	165	9.412
207	430	159	319	375	207	430	$n_{2 \text{ Eck}}$			
207	342	159	299	301	207	240	$n_{2 \text{ th}}$			
54	42	99	79	74	135	110	M_2			
3.8	3.8	2.3	2.2	2.3	1.5	1.5	c	1.60	227	10.569
185	383	142	284	334	185	383	$n_{2 \text{ Eck}}$			
185	270	142	242	243	185	201	$n_{2 \text{ th}}$			
59	46	109	87	82	149	121	M_2			
3.8	3.8	2.3	2.2	2.3	1.5	1.5	c	1.65	251	11.667
167	347	129	257	302	167	347	$n_{2 \text{ Eck}}$			
167	245	129	219	220	167	182	$n_{2 \text{ th}}$			
68	53	125	100	94			M_2			
2.2	2.2	1.3	1.3	1.3			c	0.71	165	13.176
148	307	114	228	268			$n_{2 \text{ Eck}}$			
148	262	114	212	213			$n_{2 \text{ th}}$			
74	58	136	109	102	185	151	M_2			
3.1	3.1	1.8	1.8	1.9	1.3	1.2	c	1.05	254	14.494
135	279	104	207	243	135	279	$n_{2 \text{ Eck}}$			
135	222	103	194	195	135	156	$n_{2 \text{ th}}$			
82	64	151	121	113	205	167	M_2			
3.1	3.1	1.8	1.8	1.9	1.3	1.2	c	1.04	280	16.000
122	253	94	188	220	122	253	$n_{2 \text{ Eck}}$			
122	201	94	176	177	122	141	$n_{2 \text{ th}}$			
87	68	160	128	120	218	178	M_2			
3.2	3.2	1.9	1.9	1.9	1.3	1.3	c	1.51	314	17.054
114	238	88	176	207	114	238	$n_{2 \text{ Eck}}$			
114	162	88	144	145	114	115	$n_{2 \text{ th}}$			
99	77	181	145	136	246	201	M_2			
2.7	2.7	1.6	1.6	1.6	1.1	1.1	c	1.47	297	19.216
102	211	78	156	183	102	211	$n_{2 \text{ Eck}}$			
101	139	78	116	116	96	94	$n_{2 \text{ th}}$			
120	94	221	177	166	300		M_2			
2.5	2.5	1.5	1.5	1.5	1.0		c	0.96	329	23.388
83	173	64	128	151	83		$n_{2 \text{ Eck}}$			
83	132	64	107	107	83		$n_{2 \text{ th}}$			
136	107	250	200	187			M_2			
2.0	2.0	1.2	1.2	1.2			c	0.95	298	26.353
74	154	57	114	134			$n_{2 \text{ Eck}}$			
74	112	57	85	85			$n_{2 \text{ th}}$			
155	121	284	227	213			M_2			
1.9	1.9	1.2	1.2	1.2			c	0.67	330	29.931
65	135	50	100	118			$n_{2 \text{ Eck}}$			
65	108	50	84	85			$n_{2 \text{ th}}$			
170	133	311	249	233			M_2			
1.8	1.8	1.1	1.1	1.1			c	0.58	331	32.744
60	124	46	92	108			$n_{2 \text{ Eck}}$			
60	98	46	79	79			$n_{2 \text{ th}}$			

M ... [Nm]
n ... [r/min]
J ... [kgcm²]

P ... [kW]
I ... [A]
i [-]
c [-]



GKS [Nm]

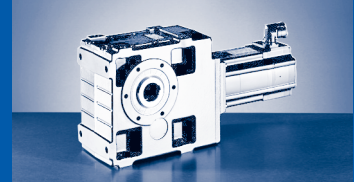
GKS□□-□S (MCS)

$M_{2GN} \leq 331 \text{ Nm}$

GKS05-3S				06CC41	06FC41	06IC41	09DC41	09FC38	09HC41	09LC41
				...500	...500	...500	...500	...500	...500	...500
i	M_{2GN}	J_G	M_1	0.60	1.20	1.50	2.30	3.10	3.80	4.50
			n_1	4050	4050	4050	4050	3750	4050	4050
			I_{M230}	2.6	2.9	3.2	4.6	5.0	6.8	8.4
			I_{M400}	1.3	1.5	1.6	2.3	2.5	3.4	4.2
			P_N	0.25	0.51	0.64	1.00	1.20	1.60	1.90
			J_M	0.17	0.25	0.33	1.13	1.53	1.93	2.83
36.894	302	0.58	M_2		40	51	79	107	132	157
			c		5.2	4.1	2.7	2.1	1.6	1.4
			$n_{2 \text{ Eck}}$		110	110	110	102	110	110
			$n_{2 \text{ th}}$		108	104	97	92	83	77
41.765	331	0.42	M_2		46	58	90	122	150	178
			c		5.0	4.0	2.6	2.0	1.6	1.3
			$n_{2 \text{ Eck}}$		97	97	97	90	97	97
			$n_{2 \text{ th}}$		97	97	97	90	86	79
47.059	304	0.41	M_2		52	65	101	137	169	201
			c		4.6	3.7	2.4	1.8	1.5	1.2
			$n_{2 \text{ Eck}}$		86	86	86	80	86	86
			$n_{2 \text{ th}}$		86	86	86	80	74	68
51.162	331	0.32	M_2		56	71	110	149	184	218
			c		4.6	3.7	2.4	1.8	1.5	1.2
			$n_{2 \text{ Eck}}$		79	79	79	73	79	79
			$n_{2 \text{ th}}$		79	79	79	73	76	71
57.647	307	0.32	M_2		64	80	125	169	208	246
			c		3.8	3.1	2.0	1.5	1.2	1.0
			$n_{2 \text{ Eck}}$		70	70	70	65	70	70
			$n_{2 \text{ th}}$		70	70	70	65	62	59
66.592	331	0.20	M_2		74	93	144	195	240	
			c		3.6	2.9	1.9	1.4	1.1	
			$n_{2 \text{ Eck}}$		61	61	61	56	61	
			$n_{2 \text{ th}}$		61	61	61	56	61	
75.033	310	0.20	M_2	41	84	105	163	221		
			c	5.9	3.0	2.4	1.5	1.2		
			$n_{2 \text{ Eck}}$	54	54	54	54	50		
			$n_{2 \text{ th}}$	54	54	54	54	50		
82.833	331	0.14	M_2	45	93	116	180	244		
			c	5.7	2.9	2.3	1.5	1.1		
			$n_{2 \text{ Eck}}$	49	49	49	49	45		
			$n_{2 \text{ th}}$	49	49	49	49	45		
93.333	315	0.14	M_2	51	105	132	203			
			c	4.8	2.4	1.9	1.3			
			$n_{2 \text{ Eck}}$	43	43	43	43			
			$n_{2 \text{ th}}$	43	43	43	43			
107.196	331	0.09	M_2	59	121	151				
			c	4.4	2.2	1.8				
			$n_{2 \text{ Eck}}$	38	38	38				
			$n_{2 \text{ th}}$	38	38	38				
120.784	315	0.09	M_2	67	136	171				
			c	4.1	2.1	1.7				
			$n_{2 \text{ Eck}}$	34	34	34				
			$n_{2 \text{ th}}$	34	34	34				
130.097	331	0.07	M_2	72	147	184				
			c	4.0	2.0	1.6				
			$n_{2 \text{ Eck}}$	31	31	31				
			$n_{2 \text{ th}}$	31	31	31				
146.588	315	0.07	M_2	81	166	208				
			c	3.4	1.7	1.4				
			$n_{2 \text{ Eck}}$	28	28	28				
			$n_{2 \text{ th}}$	28	28	28				

$M \dots$ [Nm]
 $n \dots$ [r/min]
 $J \dots$ [kgcm²]

$P \dots$ [kW]
 $I \dots$ [A]
 i [-]
 c [-]

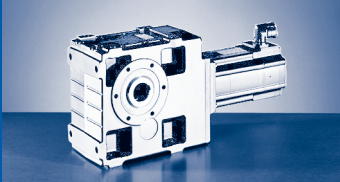


$M_{2GN} \leq 331 \text{ Nm}$

12DC20	12DC41	12HC15	12HC30	12HC35	12LC20	12LC41	GKS05-3S			
...500	...500	...500	...500	...500	...500	...500	M_1	J_G	M_{2GN}	i
5.50	4.30	10.00	8.00	7.50	13.50	11.00	n_1			
1950	4050	1500	3000	3525	1950	4050	I_{M230}			
5.2	8.8	7.6	10.5		11.8		I_{M400}			
2.6	4.5	3.8		5.7	5.9	10.2	P_N			
1.10	1.80	1.60	2.50	2.80	2.80	4.70	J_M			
4.12	4.12	7.42	7.42	7.42	10.72	10.72	M_2			
192	150						c			
1.4	1.4						$n_{2 \text{ Eck}}$	0.58	302	36.894
53	110						$n_{2 \text{ th}}$			
53	79						M_2			
217	170						c			
1.4	1.4						$n_{2 \text{ Eck}}$	0.42	331	41.765
47	97						$n_{2 \text{ th}}$			
47	81						M_2			
245	192						c			
1.2	1.3						$n_{2 \text{ Eck}}$	0.41	304	47.059
41	86						$n_{2 \text{ th}}$			
41	70						M_2			
267	208						c			
1.2	1.3						$n_{2 \text{ Eck}}$	0.32	331	51.162
38	79						$n_{2 \text{ th}}$			
38	72						M_2			
301	235						c			
1.0	1.1						$n_{2 \text{ Eck}}$	0.32	307	57.647
34	70						$n_{2 \text{ th}}$			
34	60						M_2			
							c			
							$n_{2 \text{ Eck}}$	0.20	331	66.592
							$n_{2 \text{ th}}$			
							M_2			
							c			
							$n_{2 \text{ Eck}}$	0.20	310	75.033
							$n_{2 \text{ th}}$			
							M_2			
							c			
							$n_{2 \text{ Eck}}$	0.14	331	82.833
							$n_{2 \text{ th}}$			
							M_2			
							c			
							$n_{2 \text{ Eck}}$	0.14	315	93.333
							$n_{2 \text{ th}}$			
							M_2			
							c			
							$n_{2 \text{ Eck}}$	0.09	331	107.196
							$n_{2 \text{ th}}$			
							M_2			
							c			
							$n_{2 \text{ Eck}}$	0.09	315	120.784
							$n_{2 \text{ th}}$			
							M_2			
							c			
							$n_{2 \text{ Eck}}$	0.07	331	130.097
							$n_{2 \text{ th}}$			
							M_2			
							c			
							$n_{2 \text{ Eck}}$	0.07	315	146.588
							$n_{2 \text{ th}}$			

M ... [Nm]
n ... [r/min]
J ... [kgcm²]

P ... [kW]
I ... [A]
i [-]
c [-]



GKS [Nm]

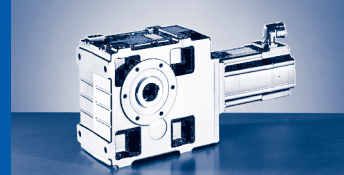
GKS□□-□S (MCS)

$M_{2GN} \leq 331 \text{ Nm}$

GKS05-3S				06CC41	06FC41	06IC41	09DC41	09FC38	09HC41	09LC41
				...S00	...S00	...S00	...S00	...S00	...S00	...S00
i	M_{2GN}	J_G	M_1	0.60	1.20	1.50	2.30	3.10	3.80	4.50
			n_1	4050	4050	4050	4050	3750	4050	4050
			I_{M230}	2.6	2.9	3.2	4.6	5.0	6.8	8.4
			I_{M400}	1.3	1.5	1.6	2.3	2.5	3.4	4.2
			P_N	0.25	0.51	0.64	1.00	1.20	1.60	1.90
			J_M	0.17	0.25	0.33	1.13	1.53	1.93	2.83
211.200	314	0.08	M_2	119	240					
			c	2.4	1.2					
			$n_{2 \text{ Eck}}$	19	19					
			$n_{2 \text{ th}}$	19	19					
227.484	278	0.06	M_2	128						
			c	1.9						
			$n_{2 \text{ Eck}}$	18						
			$n_{2 \text{ th}}$	18						
256.320	313	0.06	M_2	145						
			c	1.9						
			$n_{2 \text{ Eck}}$	16						
			$n_{2 \text{ th}}$	16						

$M \dots$ [Nm]
 $n \dots$ [r/min]
 $J \dots$ [kgcm²]

$P \dots$ [kW]
 $I \dots$ [A]
 i [-]
 c [-]

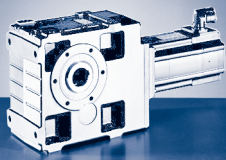


$M_{2GN} \leq 331 \text{ Nm}$

12DC20	12DC41	12HC15	12HC30	12HC35	12LC20	12LC41	GKS05-3S			
...500	...500	...500	...500	...500	...500	...500	M_1	J_G	M_{2GN}	i
5.50	4.30	10.00	8.00	7.50	13.50	11.00	n_1			
1950	4050	1500	3000	3525	1950	4050	I_{M230}			
5.2	8.8	7.6	10.5		11.8		I_{M400}			
2.6	4.5	3.8		5.7	5.9	10.2	P_N			
1.10	1.80	1.60	2.50	2.80	2.80	4.70	J_M			
4.12	4.12	7.42	7.42	7.42	10.72	10.72	M_2			
							c	0.08	314	211.200
							n_2 Eck			
							n_2 th			
							M_2			
							c	0.06	278	227.484
							n_2 Eck			
							n_2 th			
							M_2			
							c	0.06	313	256.320
							n_2 Eck			
							n_2 th			

M ... [Nm]
n ... [r/min]
J ... [kgcm²]

P ... [kW]
I ... [A]
i [-]
c [-]



GKS [Nm]

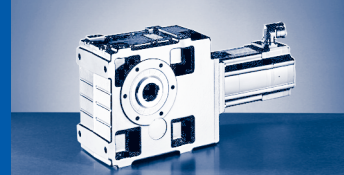
GKS□□-□S (MCS)

$M_{2GN} \leq 331 \text{ Nm}$

GKS05-4S				06CC41	06FC41	06IC41
				...500	...500	...500
i	M_{2GN}	J_G	M_1			
			n_1	4050	4050	4050
			I_{M230}	2.6	2.9	3.2
			I_{M400}	1.3	1.5	1.6
			P_N	0.25	0.51	0.64
			J_M	0.17	0.25	0.33
95.238	167	0.14	M_2	52	106	133
			c	2.6	1.3	1.0
			$n_{2 \text{ Eck}}$	43	43	43
			$n_{2 \text{ th}}$	43	43	43
114.987	256	0.20	M_2	63	128	160
			c	3.6	1.8	1.4
			$n_{2 \text{ Eck}}$	35	35	35
			$n_{2 \text{ th}}$	35	35	35
126.933	283	0.20	M_2	69	141	177
			c	3.6	1.8	1.4
			$n_{2 \text{ Eck}}$	32	32	32
			$n_{2 \text{ th}}$	32	32	32
146.667	256	0.14	M_2	81	164	205
			c	2.8	1.4	1.1
			$n_{2 \text{ Eck}}$	28	28	28
			$n_{2 \text{ th}}$	28	28	28
161.905	283	0.14	M_2	89	181	226
			c	2.8	1.4	1.1
			$n_{2 \text{ Eck}}$	25	25	25
			$n_{2 \text{ th}}$	25	25	25
185.547	331	0.20	M_2	102	207	259
			c	2.9	1.4	1.2
			$n_{2 \text{ Eck}}$	22	22	22
			$n_{2 \text{ th}}$	22	22	22
209.067	315	0.20	M_2	115	234	
			c	2.4	1.2	
			$n_{2 \text{ Eck}}$	19	19	
			$n_{2 \text{ th}}$	19	19	
225.867	256	0.07	M_2	125		
			c	1.8		
			$n_{2 \text{ Eck}}$	18		
			$n_{2 \text{ th}}$	18		
236.667	331	0.14	M_2	131	265	
			c	2.3	1.1	
			$n_{2 \text{ Eck}}$	17	17	
			$n_{2 \text{ th}}$	17	17	
289.917	331	0.11	M_2	161		
			c	1.8		
			$n_{2 \text{ Eck}}$	14		
			$n_{2 \text{ th}}$	14		
326.667	315	0.11	M_2	182		
			c	1.6		
			$n_{2 \text{ Eck}}$	12		
			$n_{2 \text{ th}}$	12		
364.467	331	0.07	M_2	203		
			c	1.4		
			$n_{2 \text{ Eck}}$	11		
			$n_{2 \text{ th}}$	11		
410.667	315	0.07	M_2	229		
			c	1.2		
			$n_{2 \text{ Eck}}$	10		
			$n_{2 \text{ th}}$	10		

$M \dots$ [Nm]
 $n \dots$ [r/min]
 $J \dots$ [kgcm²]

$P \dots$ [kW]
 $I \dots$ [A]
 $i \dots$ [-]
 $c \dots$ [-]

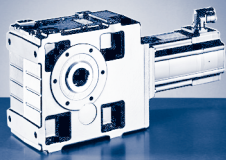


$M_{2GN} \leq 331 \text{ Nm}$

GKS05-4S				06CC41	06FC41	06IC41
				...S00	...S00	...S00
i	M_{2GN}	J_G	M_1	0.60	1.20	1.50
			n_1	4050	4050	4050
			I_{M230}	2.6	2.9	3.2
			I_{M400}	1.3	1.5	1.6
			P_N	0.25	0.51	0.64
			J_M	0.17	0.25	0.33
469.389	331	0.05	M_2	263		
			c	1.1		
			$n_{2 \text{ Eck}}$	9		
			$n_{2 \text{ th}}$	9		

M ... [Nm]
n ... [r/min]
J ... [kgcm²]

P ... [kW]
I ... [A]
i [-]
c [-]



GKS [Nm]

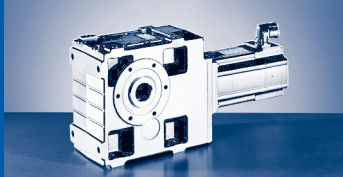
GKS□□-□S (MCS)

$M_{2GN} \leq 702 \text{ Nm}$

GKS06-3S				06CC41	06FC41	06IC41	09DC41	09FC38	09HC41	09LC41	12DC20	12DC41	12HC15	12HC30	
				...S00	...S00	...S00	...S00	...S00	...S00	...S00	...S00	...S00	...S00	...S00	
i	M_{2GN}	J_G	M_1	0.60	1.20	1.50	2.30	3.10	3.80	4.50	5.50	4.30	10.00	8.00	
			n_1	4050	4050	4050	4050	3750	4050	4050	1950	4050	1500	3000	
			I_{M230}	2.6	2.9	3.2	4.6	5.0	6.8	8.4	5.2	8.8	7.6	10.5	
			I_{M400}	1.3	1.5	1.6	2.3	2.5	3.4	4.2	2.6	4.5	3.8		
			P_N	0.25	0.51	0.64	1.00	1.20	1.60	1.90	1.10	1.80	1.60	2.50	
			J_M	0.17	0.25	0.33	1.13	1.53	1.93	2.83	4.12	4.12	7.42	7.42	
6.485	263	5.87	M_2										59	48	
			c										4.3	4.2	
			n_2 Eck											231	463
			n_2 th											231	381
9.196	373	5.05	M_2										84	67	
			c										4.3	4.2	
			n_2 Eck											163	326
			n_2 th											163	269
10.147	412	4.86	M_2										93	74	
			c										4.3	4.2	
			n_2 Eck											148	296
			n_2 th											148	244
11.382	331	2.49	M_2						39	47	57	44	106	85	
			c						5.8	4.9	5.1	5.1	3.1	3.0	
			n_2 Eck						356	356	171	356	132	264	
			n_2 th						309	300	171	302	132	264	
12.612	426	3.20	M_2								62	49	117	93	
			c								5.9	5.9	3.6	3.5	
			n_2 Eck								155	321	119	238	
			n_2 th								155	243	119	219	
14.824	600	4.29	M_2										136	109	
			c										4.3	4.2	
			n_2 Eck										101	202	
			n_2 th										101	167	
16.699	604	4.16	M_2										154	123	
			c										3.8	3.8	
			n_2 Eck										90	180	
			n_2 th										90	144	
17.809	518	2.13	M_2						61	73	89	70	165	132	
			c						5.8	4.9	5.1	5.1	3.1	3.0	
			n_2 Eck						227	227	110	227	84	169	
			n_2 th						198	192	109	193	84	168	
20.329	665	2.79	M_2								101	79	188	151	
			c								5.7	5.8	3.5	3.4	
			n_2 Eck								96	199	74	148	
			n_2 th								96	150	74	135	
22.902	606	2.73	M_2								115	90	213	171	
			c								4.6	4.7	2.8	2.8	
			n_2 Eck								85	177	66	131	
			n_2 th								85	128	66	115	
26.017	679	1.94	M_2						90	107	131	102	243	194	
			c						5.2	4.4	4.6	4.6	2.8	2.7	
			n_2 Eck						156	156	75	156	58	115	
			n_2 th						133	128	75	130	58	115	
28.461	682	1.67	M_2					79	99	118	144	112	266	213	
			c					6.0	4.8	4.0	4.2	4.2	2.5	2.5	
			n_2 Eck					132	142	142	69	142	53	105	
			n_2 th					128	123	119	69	120	53	105	
32.063	610	1.63	M_2					91	112	134	163	128	301	241	
			c					4.8	3.8	3.2	3.3	3.4	2.0	2.0	
			n_2 Eck					117	126	126	61	126	47	94	
			n_2 th					109	105	101	61	102	47	92	

$M \dots$ [Nm]
 $n \dots$ [r/min]
 $J \dots$ [kgcm²]

$P \dots$ [kW]
 $I \dots$ [A]
 $i \dots$ [-]
 $c \dots$ [-]

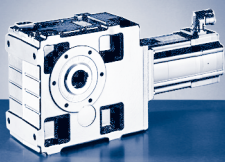


M_{2GN} ≤ 702 Nm

12HC35	12LC20	12LC41	14DC15	14DC36	14HC15	14HC32	14LC15	14LC32	14PC14	14PC32	GKS06-3S			
...S00	...S00	...S00	...S00	...S00	...S00	...S00	...S00	...S00	...S00	...S00	M ₁	J _G	M _{2GN}	i
7.50	13.50	11.00	9.20	7.50	16.00	14.00	23.00	17.20	30.00	21.00	n ₁			
3525	1950	4050	1500	3600	1500	3225	1500	3225	1350	3225	I _{M 230}			
	11.8										I _{M 400}			
5.7	5.9	10.2	4.5	7.5	6.6	11.9	9.7	15.0	10.8	15.6	P _N			
2.80	2.80	4.70	1.45	2.80	2.50	4.70	3.60	5.80	4.20	7.10	J _M			
7.42	10.72	10.72	8.22	8.22	14.32	14.32	23.44	23.44	34.74	34.82	M ₂			
45	82	66	55	45	97	85	140	105	184	129	c	5.87	263	6.485
544	301	625	231	555	231	497	231	497	208	497	n _{2 Eck}			
382	301	348	231	381	231	335	231	317	208	282	n _{2 th}			
63	116	94	77	63	137	121	199	149	261	182	M ₂	5.05	373	9.196
4.3	2.9	2.8	4.6	4.3	2.7	2.4	1.9	1.9	1.4	1.6	c			
383	212	440	163	392	163	351	163	351	147	351	n _{2 Eck}			
269	212	246	163	269	163	236	163	223	147	199	n _{2 th}			
70	128	104	85	70	152	133	220	164	288	201	M ₂	4.86	412	10.147
4.3	2.9	2.8	4.6	4.3	2.7	2.4	1.9	1.9	1.4	1.6	c			
347	192	399	148	355	148	318	148	318	133	318	n _{2 Eck}			
244	192	222	148	244	148	214	148	202	133	180	n _{2 th}			
79	144	118	97	79	171	150	248	185	324	227	M ₂	2.49	331	11.382
3.1	2.1	2.0	3.3	3.1	1.9	1.7	1.3	1.4	1.0	1.1	c			
310	171	356	132	316	132	283	132	283	119	283	n _{2 Eck}			
274	171	249	132	273	132	227	132	203	119	183	n _{2 th}			
87	159	130	107	87	189	166	274	205	359	251	M ₂	3.20	426	12.612
3.6	2.4	2.3	3.9	3.5	2.2	2.0	1.6	1.6	1.2	1.3	c			
280	155	321	119	286	119	256	119	256	107	256	n _{2 Eck}			
220	155	200	119	219	119	193	119	171	107	154	n _{2 th}			
102	186	152	125	102	221	194	321	240	421	294	M ₂	4.29	600	14.824
4.3	2.9	2.8	4.6	4.3	2.7	2.4	1.9	1.9	1.4	1.6	c			
238	132	273	101	243	101	218	101	218	91	218	n _{2 Eck}			
167	132	152	101	167	101	147	101	138	91	123	n _{2 th}			
115	211	172	141	115	250	219	362	271	475	332	M ₂	4.16	604	16.699
3.8	2.6	2.5	4.1	3.8	2.4	2.1	1.7	1.7	1.3	1.4	c			
211	117	243	90	216	90	193	90	193	81	193	n _{2 Eck}			
145	117	132	90	145	90	127	90	115	81	103	n _{2 th}			
124	226	184	152	124	268	235	388	290	507	355	M ₂	2.13	518	17.809
3.1	2.1	2.0	3.3	3.1	1.9	1.7	1.3	1.4	1.0	1.1	c			
198	110	227	84	202	84	181	84	181	76	181	n _{2 Eck}			
175	109	159	84	175	84	145	84	130	76	117	n _{2 th}			
141	257	210	173	141	305	268	442	330	578	404	M ₂	2.79	665	20.329
3.5	2.3	2.3	3.8	3.4	2.2	1.9	1.5	1.6	1.2	1.3	c			
173	96	199	74	177	74	159	74	159	66	159	n _{2 Eck}			
135	96	123	74	135	74	117	74	104	66	94	n _{2 th}			
160	291	237	196	160	345	303	499	373		457	M ₂	2.73	606	22.902
2.8	1.9	1.8	3.0	2.8	1.7	1.5	1.2	1.3		1.0	c			
154	85	177	66	157	66	141	66	141		141	n _{2 Eck}			
115	85	101	66	115	66	92	66	83		76	n _{2 th}			
182	331	270	223	182	392	344	567	424		519	M ₂	1.94	679	26.017
2.8	1.9	1.8	3.0	2.7	1.7	1.5	1.2	1.2		1.0	c			
136	75	156	58	138	58	124	58	124		124	n _{2 Eck}			
117	75	103	58	117	58	94	58	84		76	n _{2 th}			
199	362	295	244	200	430	377	621	464			M ₂	1.67	682	28.461
2.5	1.7	1.7	2.7	2.5	1.6	1.4	1.1	1.1			c			
124	69	142	53	127	53	113	53	113			n _{2 Eck}			
109	69	93	53	109	53	85	53	77			n _{2 th}			
226	410	334	277	226	486	426					M ₂	1.63	610	32.063
2.0	1.4	1.3	2.2	2.0	1.3	1.1					c			
110	61	126	47	112	47	101					n _{2 Eck}			
92	61	73	47	92	47	68					n _{2 th}			

M ... [Nm]
n ... [r/min]
J ... [kgcm²]

P ... [kW]
I ... [A]
i [-]
c [-]

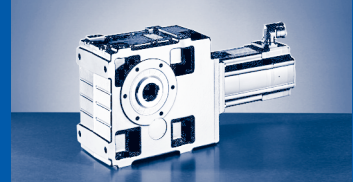


$M_{2GN} \leq 702 \text{ Nm}$

GKS06-3S				06CC41	06FC41	06IC41	09DC41	09FC38	09HC41	09LC41	12DC20	12DC41	12HC15	12HC30	
				...500	...500	...500	...500	...500	...500	...500	...500	...500	...500	...500	
i	M_{2GN}	J_G	M_1	0.60	1.20	1.50	2.30	3.10	3.80	4.50	5.50	4.30	10.00	8.00	
			n_1	4050	4050	4050	4050	3750	4050	4050	1950	4050	1500	3000	
			I_{M230}	2.6	2.9	3.2	4.6	5.0	6.8	8.4	5.2	8.8	7.6	10.5	
			I_{M400}	1.3	1.5	1.6	2.3	2.5	3.4	4.2	2.6	4.5	3.8		
			P_N	0.25	0.51	0.64	1.00	1.20	1.60	1.90	1.10	1.80	1.60	2.50	
			J_M	0.17	0.25	0.33	1.13	1.53	1.93	2.83	4.12	4.12	7.42	7.42	
36.303	685	1.18	M_2					103	127	152	185	145	341	273	
			c					4.7	3.8	3.2	3.3	3.3	2.0	2.0	
			$n_{2\text{ Eck}}$					103	112	112	54	112	41	83	
			$n_{2\text{ th}}$					103	102	99	54	100	41	83	
41.472	689	2.11	M_2								212	166	391	313	
			c								2.9	2.9	1.8	1.7	
			$n_{2\text{ Eck}}$								47	98	36	72	
			$n_{2\text{ th}}$								47	64	36	54	
44.471	689	0.90	M_2				92	126	156	186	228	178	420	335	
			c				5.8	4.4	3.5	3.0	3.0	3.1	1.6	1.8	
			$n_{2\text{ Eck}}$				91	84	91	91	44	91	34	68	
			$n_{2\text{ th}}$				91	84	91	91	44	91	34	67	
53.074	695	1.52	M_2				111	152	188	223	273	213	502	401	
			c				4.9	3.7	3.0	2.5	2.5	2.6	1.4	1.6	
			$n_{2\text{ Eck}}$				76	71	76	76	37	76	28	57	
			$n_{2\text{ th}}$				64	61	58	56	37	57	28	46	
57.882	695	0.58	M_2				122	166	205	244	298	233	548	438	
			c				4.5	3.4	2.7	2.3	2.3	2.4	1.3	1.4	
			$n_{2\text{ Eck}}$				70	65	70	70	34	70	26	52	
			$n_{2\text{ th}}$				70	65	70	70	34	70	26	52	
65.207	624	0.57	M_2			89	139	189	232	276	338	264	619	495	
			c			5.5	3.6	2.7	2.2	1.8	1.8	1.9	1.0	1.1	
			$n_{2\text{ Eck}}$			62	62	58	62	62	30	62	23	46	
			$n_{2\text{ th}}$			62	62	58	62	62	30	62	23	46	
72.000	666	0.42	M_2			98									
			c			5.3									
			$n_{2\text{ Eck}}$			56									
			$n_{2\text{ th}}$			56									
72.000	702	0.42	M_2				153	208	257	305	373	291	684	546	
			c				3.6	2.8	2.2	1.9	1.9	2.0	1.0	1.2	
			$n_{2\text{ Eck}}$				56	52	56	56	27	56	21	42	
			$n_{2\text{ th}}$				56	52	56	56	27	56	21	42	
81.111	630	0.42	M_2		88	111	174	236	290	345	422	329			
			c		5.6	4.5	2.9	2.2	1.8	1.5	1.6				
			$n_{2\text{ Eck}}$		50	50	50	46	50	24	50				
			$n_{2\text{ th}}$		50	50	50	46	50	24	50				
93.176	691	0.26	M_2		101	128									
			c		5.3	4.3									
			$n_{2\text{ Eck}}$		44	44									
			$n_{2\text{ th}}$		43	43									
93.176	702	0.26	M_2				200	271	334	396					
			c				2.8	2.1	1.7	1.4					
			$n_{2\text{ Eck}}$				44	40	44	44					
			$n_{2\text{ th}}$				43	40	43	43					
104.967	635	0.25	M_2		115	146	226	307	377	448					
			c		4.3	3.5	2.3	1.7	1.4	1.2					
			$n_{2\text{ Eck}}$		39	39	39	36	39	39					
			$n_{2\text{ th}}$		39	39	39	36	39	39					
113.082	700	0.19	M_2		124	156									
			c		4.9	3.9									
			$n_{2\text{ Eck}}$		36	36									
			$n_{2\text{ th}}$		36	36									

$M \dots$ [Nm]
 $n \dots$ [r/min]
 $J \dots$ [kgcm²]

$P \dots$ [kW]
 $I \dots$ [A]
 $i \dots$ [-]
 $c \dots$ [-]

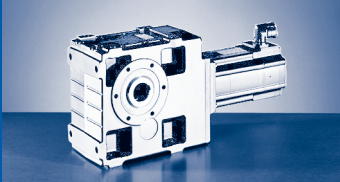


$M_{2GN} \leq 702 \text{ Nm}$

12HC35	12LC20	12LC41	14DC15	14DC36	14HC15	14HC32	14LC15	14LC32	14PC14	14PC32	GKS06-3S			
...500	...500	...500	...500	...500	...500	...500	...500	...500	...500	...500	M_1	J_G	M_{2GN}	i
7.50	13.50	11.00	9.20	7.50	16.00	14.00	23.00	17.20	30.00	21.00	n_1			
3525	1950	4050	1500	3600	1500	3225	1500	3225	1350	3225	I_{M230}			
	11.8										I_{M400}			
5.7	5.9	10.2	4.5	7.5	6.6	11.9	9.7	15.0	10.8	15.6	P_N			
2.80	2.80	4.70	1.45	2.80	2.50	4.70	3.60	5.80	4.20	7.10	J_M			
7.42	10.72	10.72	8.22	8.22	14.32	14.32	23.44	23.44	34.74	34.82	M_2			
256	464	378	313	256	550	482					c	1.18	685	36.303
2.0	1.4	1.3	2.2	2.0	1.2	1.1					n_{2Eck}			
97	54	112	41	99	41	89					n_{2th}			
91	54	74	41	91	41	69					M_2			
293	531	433	359	293	630						c	2.11	689	41.472
1.8	1.2	1.1	1.9	1.7	1.1						n_{2Eck}			
85	47	98	36	87	36						n_{2th}			
55	45	44	36	55	36						M_2			
314	569	464	385	314	676	591					c	0.90	689	44.471
1.9	1.2	1.2	1.8	1.9	1.0	1.0					n_{2Eck}			
79	44	91	34	81	34	73					n_{2th}			
79	44	68	34	81	34	63					M_2			
376	680	554	461	376							c	1.52	695	53.074
1.6	1.0	1.0	1.5	1.6							n_{2Eck}			
66	37	76	28	68							n_{2th}			
47	37	38	28	47							M_2			
410											c	0.58	695	57.882
1.4											n_{2Eck}			
61											n_{2th}			
61											M_2			
464											c	0.57	624	65.207
1.2											n_{2Eck}			
54											n_{2th}			
54											M_2			
											c	0.42	666	72.000
											n_{2Eck}			
											n_{2th}			
512											M_2			
1.2											c	0.42	702	72.000
49											n_{2Eck}			
49											n_{2th}			
											M_2			
											c	0.42	630	81.111
											n_{2Eck}			
											n_{2th}			
											M_2			
											c	0.26	691	93.176
											n_{2Eck}			
											n_{2th}			
											M_2			
											c	0.26	702	93.176
											n_{2Eck}			
											n_{2th}			
											M_2			
											c	0.25	635	104.967
											n_{2Eck}			
											n_{2th}			
											M_2			
											c	0.19	700	113.082
											n_{2Eck}			
											n_{2th}			

$M \dots$ [Nm]
 $n \dots$ [r/min]
 $J \dots$ [kgcm²]

$P \dots$ [kW]
 $I \dots$ [A]
 i [-]
 c [-]



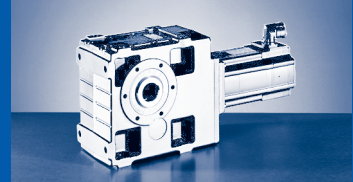
GKS [Nm]
GKS□□-□S (MCS)

$M_{2GN} \leq 702 \text{ Nm}$

GKS06-3S				06CC41	06FC41	06IC41	09DC41	09FC38	09HC41	09LC41	12DC20	12DC41	12HC15	12HC30	
				...500	...500	...500	...500	...500	...500	...500	...500	...500	...500	...500	
i	M_{2GN}	J_G	M_1	0.60	1.20	1.50	2.30	3.10	3.80	4.50	5.50	4.30	10.00	8.00	
			n_1	4050	4050	4050	4050	3750	4050	4050	1950	4050	1500	3000	
			I_{M230}	2.6	2.9	3.2	4.6	5.0	6.8	8.4	5.2	8.8	7.6	10.5	
			I_{M400}	1.3	1.5	1.6	2.3	2.5	3.4	4.2	2.6	4.5	3.8		
			P_N	0.25	0.51	0.64	1.00	1.20	1.60	1.90	1.10	1.80	1.60	2.50	
			J_M	0.17	0.25	0.33	1.13	1.53	1.93	2.83	4.12	4.12	7.42	7.42	
113.082	702	0.19	M_2				243	330	406	482					
			c			2.6	2.0	1.6	1.3						
			$n_{2 \text{ Eck}}$			36	33	36	36						
			$n_{2 \text{ th}}$			36	33	36	36						
127.392	635	0.19	M_2		141	177	275	373	459	544					
			c		4.0	3.2	2.1	1.6	1.3	1.1					
			$n_{2 \text{ Eck}}$		32	32	32	29	32	32					
			$n_{2 \text{ th}}$		32	32	32	29	32	32					
142.941	691	0.12	M_2		158	199									
			c		3.8	3.1									
			$n_{2 \text{ Eck}}$		28	28									
			$n_{2 \text{ th}}$		28	28									
161.029	635	0.12	M_2		179	226									
			c		3.1	2.5									
			$n_{2 \text{ Eck}}$		25	25									
			$n_{2 \text{ th}}$		25	25									
190.080	702	0.23	M_2	103	212	267	413	559							
			c	5.9	2.9	2.4	1.5	1.2							
			$n_{2 \text{ Eck}}$	21	21	21	21	20							
			$n_{2 \text{ th}}$	21	21	21	21	20							
214.133	635	0.23	M_2	117	241	302	467								
			c	4.7	2.4	1.9	1.2								
			$n_{2 \text{ Eck}}$	19	19	19	19								
			$n_{2 \text{ th}}$	19	19	19	19								
230.688	702	0.17	M_2	126	259	325	503								
			c	4.8	2.4	1.9	1.3								
			$n_{2 \text{ Eck}}$	18	18	18	18								
			$n_{2 \text{ th}}$	18	18	18	18								
259.880	635	0.17	M_2	144	293	368	568								
			c	3.9	1.9	1.6	1.0								
			$n_{2 \text{ Eck}}$	16	16	16	16								
			$n_{2 \text{ th}}$	16	16	16	16								
291.600	702	0.11	M_2	161	329	413									
			c	3.8	1.9	1.5									
			$n_{2 \text{ Eck}}$	14	14	14									
			$n_{2 \text{ th}}$	14	14	14									
328.500	635	0.11	M_2	183	372	467									
			c	3.1	1.5	1.2									
			$n_{2 \text{ Eck}}$	12	12	12									
			$n_{2 \text{ th}}$	12	12	12									

$M \dots$ [Nm]
 $n \dots$ [r/min]
 $J \dots$ [kgcm²]

$P \dots$ [kW]
 $I \dots$ [A]
 i [-]
 c [-]

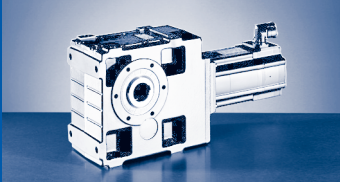


$M_{2GN} \leq 702 \text{ Nm}$

12HC35	12LC20	12LC41	14DC15	14DC36	14HC15	14HC32	14LC15	14LC32	14PC14	14PC32	GKS06-3S			
...S00	...S00	...S00	...S00	...S00	...S00	...S00	...S00	...S00	...S00	...S00	M_1	J_G	M_{2GN}	i
7.50	13.50	11.00	9.20	7.50	16.00	14.00	23.00	17.20	30.00	21.00	n_1			
3525	1950	4050	1500	3600	1500	3225	1500	3225	1350	3225	I_{M230}			
	11.8										I_{M400}			
5.7	5.9	10.2	4.5	7.5	6.6	11.9	9.7	15.0	10.8	15.6	P_N			
2.80	2.80	4.70	1.45	2.80	2.50	4.70	3.60	5.80	4.20	7.10	J_M			
7.42	10.72	10.72	8.22	8.22	14.32	14.32	23.44	23.44	34.74	34.82	M_2 c			
											n_2 Eck	0.19	702	113.082
											n_2 th			
											M_2 c			
											n_2 Eck	0.19	635	127.392
											n_2 th			
											M_2 c			
											n_2 Eck	0.12	691	142.941
											n_2 th			
											M_2 c			
											n_2 Eck	0.12	635	161.029
											n_2 th			
											M_2 c			
											n_2 Eck	0.23	702	190.080
											n_2 th			
											M_2 c			
											n_2 Eck	0.23	635	214.133
											n_2 th			
											M_2 c			
											n_2 Eck	0.17	702	230.688
											n_2 th			
											M_2 c			
											n_2 Eck	0.17	635	259.880
											n_2 th			
											M_2 c			
											n_2 Eck	0.11	702	291.600
											n_2 th			
											M_2 c			
											n_2 Eck	0.11	635	328.500
											n_2 th			

$M \dots$ [Nm]
 $n \dots$ [r/min]
 $J \dots$ [kgcm²]

$P \dots$ [kW]
 $I \dots$ [A]
 i [-]
 c [-]



GKS [Nm]

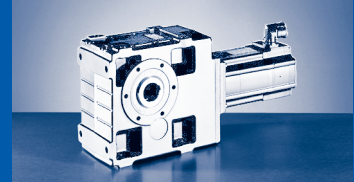
GKS□□-□S (MCS)

$M_{2GN} \leq 702 \text{ Nm}$

GKS06-4S				06CC41	06FC41	06IC41	09DC41	09FC38	09HC41	09LC41
				...500	...500	...500	...500	...500	...500	...500
i	M_{2GN}	J_G	M_1	0.60	1.20	1.50	2.30	3.10	3.80	4.50
			n_1	4050	4050	4050	4050	3750	4050	4050
			I_{M230}	2.6	2.9	3.2	4.6	5.0	6.8	8.4
			I_{M400}	1.3	1.5	1.6	2.3	2.5	3.4	4.2
			P_N	0.25	0.51	0.64	1.00	1.20	1.60	1.90
			J_M	0.17	0.25	0.33	1.13	1.53	1.93	2.83
103.721	685	0.30	M_2		111	141	219	297	366	434
			c		4.8	3.9	2.5	1.9	1.5	1.3
			$n_{2 \text{ Eck}}$		39	39	39	36	39	39
			$n_{2 \text{ th}}$		39	39	39	36	39	39
113.205	537	0.23	M_2		123	155	241	326	401	476
			c		3.8	3.1	2.0	1.5	1.2	1.0
			$n_{2 \text{ Eck}}$		36	36	36	33	36	36
			$n_{2 \text{ th}}$		36	36	36	33	36	36
127.059	689	0.26	M_2		137	173	269	365	449	533
			c		4.4	3.5	2.3	1.7	1.4	1.2
			$n_{2 \text{ Eck}}$		32	32	32	30	32	32
			$n_{2 \text{ th}}$		32	32	32	30	32	32
140.816	537	0.21	M_2		154	194	300	407		
			c		3.1	2.5	1.6	1.2		
			$n_{2 \text{ Eck}}$		29	29	29	27		
			$n_{2 \text{ th}}$		29	29	29	27		
155.647	689	0.19	M_2		170	214	331	448	551	
			c		3.6	2.9	1.9	1.4	1.1	
			$n_{2 \text{ Eck}}$		26	26	26	24	26	
			$n_{2 \text{ th}}$		26	26	26	24	26	
174.336	537	0.11	M_2	94	192	242				
			c	5.0	2.5	2.0				
			$n_{2 \text{ Eck}}$	23	23	23				
			$n_{2 \text{ th}}$	23	23	23				
202.588	695	0.17	M_2	108	223	280	433	586		
			c	5.5	2.8	2.2	1.5	1.1		
			$n_{2 \text{ Eck}}$	20	20	20	20	19		
			$n_{2 \text{ th}}$	20	20	20	20	19		
224.524	537	0.07	M_2	122	249	313				
			c	3.9	1.9	1.6				
			$n_{2 \text{ Eck}}$	18	18	18				
			$n_{2 \text{ th}}$	18	18	18				
252.000	702	0.16	M_2	136	279	350	540			
			c	4.5	2.3	1.8	1.2			
			$n_{2 \text{ Eck}}$	16	16	16	16			
			$n_{2 \text{ th}}$	16	16	16	16			
279.286	537	0.07	M_2	153	311	390				
			c	3.1	1.6	1.2				
			$n_{2 \text{ Eck}}$	15	15	15				
			$n_{2 \text{ th}}$	15	15	15				
316.800	702	0.10	M_2	173	352	442				
			c	3.6	1.8	1.4				
			$n_{2 \text{ Eck}}$	13	13	13				
			$n_{2 \text{ th}}$	13	13	13				
361.429	537	0.06	M_2	199	404					
			c	2.4	1.2					
			$n_{2 \text{ Eck}}$	11	11					
			$n_{2 \text{ th}}$	11	11					
408.000	702	0.07	M_2	224	455	571				
			c	2.8	1.4	1.1				
			$n_{2 \text{ Eck}}$	10	10	10				
			$n_{2 \text{ th}}$	10	10	10				

$M \dots$ [Nm]
 $n \dots$ [r/min]
 $J \dots$ [kgcm²]

$P \dots$ [kW]
 $I \dots$ [A]
 $i \dots$ [-]
 $c \dots$ [-]

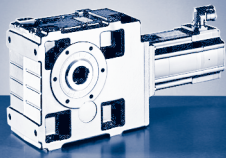


$M_{2GN} \leq 702 \text{ Nm}$

GKS06-4S				06CC41	06FC41	06IC41	09DC41	09FC38	09HC41	09LC41
				...S00	...S00	...S00	...S00	...S00	...S00	...S00
i	M_{2GN}	J_G	M_1	0.60	1.20	1.50	2.30	3.10	3.80	4.50
			n_1	4050	4050	4050	4050	3750	4050	4050
			I_{M230}	2.6	2.9	3.2	4.6	5.0	6.8	8.4
			I_{M400}	1.3	1.5	1.6	2.3	2.5	3.4	4.2
			P_N	0.25	0.51	0.64	1.00	1.20	1.60	1.90
			J_M	0.17	0.25	0.33	1.13	1.53	1.93	2.83
640.800	702	0.06	M_2	356						
			c	1.8						
			$n_{2 \text{ Eck}}$	6						
			$n_{2 \text{ th}}$	6						

M ... [Nm]
n ... [r/min]
J ... [kgcm²]

P ... [kW]
I ... [A]
i [-]
c [-]



GKS [Nm]

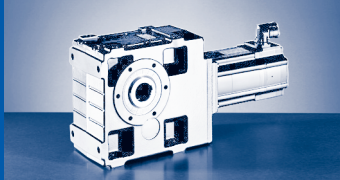
GKS□□-□S (MCS)

$M_{2GN} \leq 1330 \text{ Nm}$

GKS07-3S				09DC41	09FC38	09HC41	09LC41	12DC20	12DC41	12HC15	12HC30	12HC35	12LC20	12LC41	14DC15
				...500	...500	...500	...500	...500	...500	...500	...500	...500	...500	...500	...500
i	M_{2GN}	J_G	M_1	2.30	3.10	3.80	4.50	5.50	4.30	10.00	8.00	7.50	13.50	11.00	9.20
			n_1	4050	3750	4050	4050	1950	4050	1500	3000	3525	1950	4050	1500
			I_{M230}	4.6	5.0	6.8	8.4	5.2	8.8	7.6	10.5		11.8		
			I_{M400}	2.3	2.5	3.4	4.2	2.6	4.5	3.8		5.7	5.9	10.2	4.5
			P_N	1.00	1.20	1.60	1.90	1.10	1.80	1.60	2.50	2.80	2.80	4.70	1.45
			J_M	1.13	1.53	1.93	2.83	4.12	4.12	7.42	7.42	7.42	10.72	10.72	8.22
5.955	471	19.30	M_2 c n_2 Eck n_2 th												
8.254	541	11.80	M_2 c n_2 Eck n_2 th												
9.171	725	16.00	M_2 c n_2 Eck n_2 th												
10.124	800	15.88	M_2 c n_2 Eck n_2 th												
11.378	515	7.02	M_2 c n_2 Eck n_2 th							104 4.8 132 132	83 4.7 264 257	78 4.8 310 258	142 3.2 171 171	116 3.1 356 236	
11.378	613	7.02	M_2 c n_2 Eck n_2 th												
12.711	832	10.16	M_2 c n_2 Eck n_2 th												
14.798	1040	14.31	M_2 c n_2 Eck n_2 th												
16.674	1071	13.97	M_2 c n_2 Eck n_2 th												
17.270	826	7.26	M_2 c n_2 Eck n_2 th							157 5.0 87 87	126 5.0 174 165	118 5.1 204 165	216 3.4 113 113	176 3.3 235 151	
17.270	998	7.26	M_2 c n_2 Eck n_2 th												
20.511	1110	9.08	M_2 c n_2 Eck n_2 th												
23.111	1168	8.91	M_2 c n_2 Eck n_2 th												192 5.8 65 65

$M \dots$ [Nm]
 $n \dots$ [r/min]
 $J \dots$ [kgcm²]

$P \dots$ [kW]
 $I \dots$ [A]
 $i \dots$ [-]
 $c \dots$ [-]

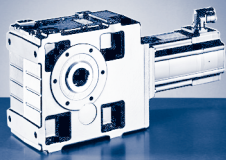


$M_{2GN} \leq 1330 \text{ Nm}$

14DC36	14HC15	14HC32	14LC15	14LC32	14PC14	14PC32	19FC14	19FC30	19JC14	19JC30	19PC14	19PC30	GKS07-3S			
...500	...500	...500	...500	...500	...500	...500	...500	...500	...500	...500	...500	...500	M_1	J_G	M_{2GN}	i
7.50	16.00	14.00	23.00	17.20	30.00	21.00	27.00	21.00	40.00	29.00	51.00	32.00	n_1			
3600	1500	3225	1500	3225	1350	3225	1425	3000	1425	3000	1350	3000	$I_{M 230}$			
7.5	6.6	11.9	9.7	15.0	10.8	15.6	8.6	14.0	12.3	18.5	14.3	19.0	$I_{M 400}$			
2.80	2.50	4.70	3.60	5.80	4.20	7.10	4.00	6.60	6.00	9.10	7.20	10.00	P_N			
8.22	14.32	14.32	23.44	23.44	34.74	34.82	65.12	65.04	105.04	105.12	160.12	160.04	J_M			
	87	76	127	94	167	116	149	116	224	162	287	179	M_2	19.30	471	5.955
	5.2	4.6	3.6	3.8	2.8	3.1	3.1	2.1	2.3	1.6	2.1	2.1	c			
	252	542	252	542	227	542	239	504	239	504	227	504	$n_{2 \text{ Eck}}$			
	252	361	252	345	227	329	239	331	239	305	227	298	$n_{2 \text{ th}}$			
	121	107	177	132	232	162	208	162	311	225	398	249	M_2	11.80	541	8.254
	4.3	3.8	3.0	3.1	2.3	2.5	2.6	1.7	1.9	1.4	1.7	1.7	c			
	182	391	182	391	164	391	173	364	173	364	164	364	$n_{2 \text{ Eck}}$			
	182	288	182	275	164	263	173	265	173	241	164	227	$n_{2 \text{ th}}$			
	133	117	195	145	256	179	230	179	344	249	441	276	M_2	16.00	725	9.171
	5.2	4.6	3.6	3.8	2.8	3.1	3.1	2.1	2.3	1.6	2.1	2.1	c			
	164	352	164	352	147	352	155	327	155	327	147	327	$n_{2 \text{ Eck}}$			
	164	234	164	224	147	214	155	215	155	198	147	193	$n_{2 \text{ th}}$			
	147	130	215	161	283	198	254	197	380	275	487	304	M_2	15.88	800	10.124
	5.2	4.6	3.6	3.8	2.8	3.1	3.1	2.1	2.3	1.6	2.1	2.1	c			
	148	319	148	319	133	319	141	296	141	296	133	296	$n_{2 \text{ Eck}}$			
	148	212	148	203	133	194	141	195	141	180	133	175	$n_{2 \text{ th}}$			
													M_2	7.02	515	11.378
													c			
													$n_{2 \text{ Eck}}$			
													$n_{2 \text{ th}}$			
77	168	148	245	183	321	224	288	224	430	312	551	344	M_2	7.02	613	11.378
	5.7	3.6	3.1	2.5	2.6	1.9	2.1	2.1	1.4	1.6	1.1	1.4	c			
	316	132	284	132	284	119	284	125	264	125	264	119	$n_{2 \text{ Eck}}$			
	266	132	237	132	226	119	216	125	194	125	186	119	$n_{2 \text{ th}}$			
	186	164	272	203	357	249	321	249	479	347	613	383	M_2	10.16	832	12.711
	4.3	3.8	3.0	3.1	2.3	2.5	2.6	2.6	1.7	1.9	1.4	1.7	c			
	118	254	118	254	106	254	112	236	112	236	106	236	$n_{2 \text{ Eck}}$			
	118	187	118	179	106	171	112	172	112	157	106	148	$n_{2 \text{ th}}$			
	216	190	316	236	415	290	373	290	557	403	713	446	M_2	14.31	1040	14.798
	4.6	4.1	3.2	3.3	2.5	2.7	2.7	2.8	1.9	2.0	1.5	1.8	c			
	101	218	101	218	91	218	96	203	96	203	91	203	$n_{2 \text{ Eck}}$			
	101	142	101	135	91	129	96	129	96	119	91	113	$n_{2 \text{ th}}$			
	245	215	357	267	469	327	421	327	629	455	805	503	M_2	13.97	1071	16.674
	4.2	3.7	2.9	3.1	2.3	2.5	2.5	2.6	1.7	1.9	1.3	1.7	c			
	90	193	90	193	81	193	86	180	86	180	81	180	$n_{2 \text{ Eck}}$			
	90	123	90	117	81	112	85	112	85	101	81	95	$n_{2 \text{ th}}$			
													M_2	7.26	826	17.270
													c			
													$n_{2 \text{ Eck}}$			
													$n_{2 \text{ th}}$			
	255	224	371	277	487	340	437	340	653	472	835	522	M_2	7.26	998	17.270
	3.8	3.4	2.7	2.7	2.0	2.3	2.3	2.3	1.5	1.7	1.2	1.5	c			
	87	187	87	187	78	187	83	174	83	174	78	174	$n_{2 \text{ Eck}}$			
	87	152	87	145	78	138	83	128	83	121	78	114	$n_{2 \text{ th}}$			
139	303	267	441	330	579	404	520	404	776	562	992	621	M_2	9.08	1110	20.511
	5.7	3.6	3.2	2.5	2.6	1.9	2.1	2.2	1.4	1.6	1.1	1.4	c			
	176	73	157	73	157	66	157	70	146	70	146	66	$n_{2 \text{ Eck}}$			
	126	73	111	73	106	66	101	69	102	69	87	66	$n_{2 \text{ th}}$			
157	343	301	498	372	653	456	587	456	875	634	1119	700	M_2	8.91	1168	23.111
	5.3	3.3	3.0	2.3	2.4	1.8	2.0	2.0	1.3	1.5	1.0	1.3	c			
	156	65	140	65	140	58	140	62	130	62	130	58	$n_{2 \text{ Eck}}$			
	110	65	97	65	93	58	88	62	89	62	74	58	$n_{2 \text{ th}}$			

M ... [Nm]
n ... [r/min]
J ... [kgcm²]

P ... [kW]
I ... [A]
i [-]
c [-]



GKS [Nm]

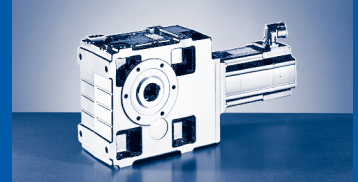
GKS□□-□S (MCS)

$M_{2GN} \leq 1330 \text{ Nm}$

GKS07-3S				09DC41	09FC38	09HC41	09LC41	12DC20	12DC41	12HC15	12HC30	12HC35	12LC20	12LC41	14DC15
				...500	...500	...500	...500	...500	...500	...500	...500	...500	...500	...500	...500
i	M_{2GN}	J_G	M_1	2.30	3.10	3.80	4.50	5.50	4.30	10.00	8.00	7.50	13.50	11.00	9.20
			n_1	4050	3750	4050	4050	1950	4050	1500	3000	3525	1950	4050	1500
			I_{M230}	4.6	5.0	6.8	8.4	5.2	8.8	7.6	10.5		11.8		
			I_{M400}	2.3	2.5	3.4	4.2	2.6	4.5	3.8		5.7	5.9	10.2	4.5
			P_N	1.00	1.20	1.60	1.90	1.10	1.80	1.60	2.50	2.80	2.80	4.70	1.45
			J_M	1.13	1.53	1.93	2.83	4.12	4.12	7.42	7.42	7.42	10.72	10.72	8.22
25.244	1177	6.72	M_2							230	184	172	316	258	211
			c						4.9	4.9	4.9	3.3	3.2	5.3	
			$n_{2 \text{ Eck}}$							59	119	140	77	160	59
			$n_{2 \text{ th}}$							59	112	112	77	103	59
28.274	1202	5.57	M_2							259	207	194	355	289	237
			c						4.5	4.4	4.5	3.0	2.9	4.9	
			$n_{2 \text{ Eck}}$							53	106	125	69	143	53
			$n_{2 \text{ th}}$							53	102	102	69	94	53
31.858	1172	5.47	M_2							293	235	220	402	328	269
			c						3.9	3.8	3.9	2.6	2.5	4.2	
			$n_{2 \text{ Eck}}$							47	94	111	61	127	47
			$n_{2 \text{ th}}$							47	88	88	61	81	47
36.063	1068	3.65	M_2			123	148								
			c			5.9	5.0								
			$n_{2 \text{ Eck}}$			112	112								
			$n_{2 \text{ th}}$			99	96								
36.063	1290	3.65	M_2							333	266	249	455	371	305
			c						3.8	3.7	3.8	2.6	2.5	4.1	
			$n_{2 \text{ Eck}}$							42	83	98	54	112	42
			$n_{2 \text{ th}}$							42	83	91	54	83	42
40.906	1290	6.93	M_2												348
			c												3.6
			$n_{2 \text{ Eck}}$												37
			$n_{2 \text{ th}}$												37
44.178	1300	2.78	M_2					220	171	410	327	306	559	455	376
			c					5.6	5.9	3.1	3.5	3.5	2.3	2.3	3.4
			$n_{2 \text{ Eck}}$					44	92	34	68	80	44	92	34
			$n_{2 \text{ th}}$					44	87	34	68	80	44	73	34
50.345	1300	5.30	M_2					252	197	470	374	351	639	520	431
			c					4.9	5.2	2.7	3.1	3.1	2.0	2.0	3.0
			$n_{2 \text{ Eck}}$					39	80	30	60	70	39	80	30
			$n_{2 \text{ th}}$					39	57	30	51	51	39	46	30
57.501	1174	1.75	M_2		161	200	238								
			c		5.8	4.6	3.9								
			$n_{2 \text{ Eck}}$		65	70	70								
			$n_{2 \text{ th}}$		65	70	70								
57.501	1310	1.75	M_2					290	226	538	429	402	731	596	494
			c					4.4	4.6	2.4	2.7	2.7	1.8	1.8	2.6
			$n_{2 \text{ Eck}}$					34	70	26	52	61	34	70	26
			$n_{2 \text{ th}}$					34	70	26	52	61	34	63	26
64.790	1195	1.73	M_2		182	226	270	329	257	609	486	456	827	674	560
			c		5.2	4.2	3.5	3.5	3.7	1.9	2.2	2.2	1.4	1.4	2.1
			$n_{2 \text{ Eck}}$		58	63	63	30	63	23	46	54	30	63	23
			$n_{2 \text{ th}}$		58	63	63	30	63	23	46	54	30	50	23
70.474	1230	1.30	M_2		199	246	294								
			c		5.0	4.0	3.3								
			$n_{2 \text{ Eck}}$		53	58	58								
			$n_{2 \text{ th}}$		53	57	57								
70.474	1320	1.30	M_2					358	280	663	529	495	899	733	608
			c					3.6	3.7	2.0	2.2	2.3	1.5	1.5	2.1
			$n_{2 \text{ Eck}}$					28	58	21	43	50	28	58	21
			$n_{2 \text{ th}}$					28	57	21	43	50	28	53	21

$M \dots$ [Nm]
 $n \dots$ [r/min]
 $J \dots$ [kgcm²]

$P \dots$ [kW]
 $I \dots$ [A]
 $i \dots$ [-]
 $c \dots$ [-]

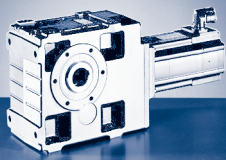


$M_{2GN} \leq 1330 \text{ Nm}$

14DC36	14HC15	14HC32	14LC15	14LC32	14PC14	14PC32	19FC14	19FC30	19JC14	19JC30	19PC14	19PC30	GKS07-3S			
...500	...500	...500	...500	...500	...500	...500	...500	...500	...500	...500	...500	...500	M_1	J_G	M_{2GN}	i
7.50	16.00	14.00	23.00	17.20	30.00	21.00	27.00	21.00	40.00	29.00	51.00	32.00	n_1			
3600	1500	3225	1500	3225	1350	3225	1425	3000	1425	3000	1350	3000	$I_{M 230}$			
													$I_{M 400}$			
7.5	6.6	11.9	9.7	15.0	10.8	15.6	8.6	14.0	12.3	18.5	14.3	19.0	P_N			
2.80	2.50	4.70	3.60	5.80	4.20	7.10	4.00	6.60	6.00	9.10	7.20	10.00	J_M			
8.22	14.32	14.32	23.44	23.44	34.74	34.82	65.12	65.04	105.04	105.12	160.12	160.04	M_2			
172	375	330	545	407	715	499	642	499	957	693		766	c	6.72	1177	25.244
4.9	3.1	2.7	2.1	2.2	1.6	1.8	1.8	1.9	1.2	1.3			n_2 Eck			
143	59	128	59	128	54	128	57	119	57	119		119	n_2 th			
112	59	99	59	94	53	87	56	88	56	73		70				
194	422	370	612	457	802	560	720	560	1073	777		858	M_2	5.57	1202	28.274
4.5	2.8	2.5	2.0	2.0	1.5	1.7	1.7	1.7	1.1	1.2		1.1	c			
127	53	114	53	114	48	114	50	106	50	106		106	n_2 Eck			
102	53	90	53	86	48	78	50	78	50	66		63	n_2 th			
220	477	419	691	516	905	633	813	632		877			M_2	5.47	1172	31.858
3.9	2.4	2.1	1.7	1.8	1.3	1.4	1.4	1.5		1.1			c			
113	47	101	47	101	42	101	45	94		94			n_2 Eck			
88	47	78	47	71	42	64	45	64		55			n_2 th			
													M_2	3.65	1068	36.063
													c			
													n_2 Eck			
													n_2 th			
249	540	474	783	585	1025	716							M_2	3.65	1290	36.063
3.8	2.4	2.1	1.6	1.7	1.3	1.4							c			
100	42	89	42	89	37	89							n_2 Eck			
90	42	80	42	72	37	65							n_2 th			
284	615	539	889	665	1164	814	1047	814					M_2	6.93	1290	40.906
3.3	2.1	1.8	1.4	1.5	1.1	1.2	1.2	1.3					c			
88	37	79	37	79	33	79	35	73					n_2 Eck			
56	37	48	37	43	33	38	35	39					n_2 th			
306	665	582	962	717	1258	878							M_2	2.78	1300	44.178
3.5	1.9	2.0	1.4	1.6	1.0	1.3							c			
82	34	73	34	73	31	73							n_2 Eck			
79	34	71	34	63	31	58							n_2 th			
351	760	664	1098	819		1003	1291	1002					M_2	5.30	1300	50.345
3.1	1.7	1.7	1.2	1.4		1.1	1.0	1.2					c			
72	30	64	30	64		64	28	60					n_2 Eck			
51	30	42	30	37		34	28	34					n_2 th			
													M_2	1.75	1174	57.501
													c			
													n_2 Eck			
													n_2 th			
402	869	761	1256	937		1147							M_2	1.75	1310	57.501
2.7	1.5	1.5	1.0	1.2		1.0							c			
63	26	56	26	56		56							n_2 Eck			
62	26	56	26	52		48							n_2 th			
456	982	860											M_2	1.73	1195	64.790
2.2	1.2	1.2											c			
56	23	50											n_2 Eck			
55	23	46											n_2 th			
													M_2	1.30	1230	70.474
													c			
													n_2 Eck			
													n_2 th			
496	1068	935		1151									M_2	1.30	1320	70.474
2.2	1.2	1.2		1.0									c			
51	21	46		46									n_2 Eck			
51	21	46		45									n_2 th			

M ... [Nm]
n ... [r/min]
J ... [kgcm²]

P ... [kW]
I ... [A]
i [-]
c [-]



GKS [Nm]

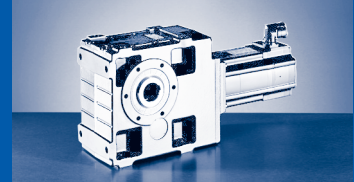
GKS□□-□S (MCS)

$M_{2GN} \leq 1330 \text{ Nm}$

GKS07-3S				09DC41	09FC38	09HC41	09LC41	12DC20	12DC41	12HC15	12HC30	12HC35	12LC20	12LC41	14DC15
				...500	...500	...500	...500	...500	...500	...500	...500	...500	...500	...500	...500
i	M_{2GN}	J_G	M_1	2.30	3.10	3.80	4.50	5.50	4.30	10.00	8.00	7.50	13.50	11.00	9.20
			n_1	4050	3750	4050	4050	1950	4050	1500	3000	3525	1950	4050	1500
			I_{M230}	4.6	5.0	6.8	8.4	5.2	8.8	7.6	10.5		11.8		
			I_{M400}	2.3	2.5	3.4	4.2	2.6	4.5	3.8		5.7	5.9	10.2	4.5
			P_N	1.00	1.20	1.60	1.90	1.10	1.80	1.60	2.50	2.80	2.80	4.70	1.45
			J_M	1.13	1.53	1.93	2.83	4.12	4.12	7.42	7.42	7.42	10.72	10.72	8.22
79.407	1205	1.28	M_2	165	226	279	333	407	317	750	598	561	1016	828	689
			c	5.7	4.3	3.4	2.9	2.9	3.0	1.6	1.8	1.8	1.2	1.2	1.7
			$n_{2 \text{ Eck}}$	51	47	51	51	25	51	19	38	44	25	51	19
			$n_{2 \text{ th}}$	51	47	51	51	25	51	19	38	44	25	43	19
92.563	1264	0.81	M_2	193	264	327	389								
			c	5.1	3.9	3.1	2.6								
			$n_{2 \text{ Eck}}$	44	41	44	44								
			$n_{2 \text{ th}}$	44	41	44	44								
92.563	1330	0.81	M_2					475	371	874	698	654	1185	966	
			c					2.8	2.9	1.5	1.7	1.7	1.1	1.1	
			$n_{2 \text{ Eck}}$					21	44	16	32	38	21	44	
			$n_{2 \text{ th}}$					21	44	16	32	38	21	44	
104.296	1215	0.80	M_2	220	300	370	440	538	420	988	789	740			
			c	4.4	3.3	2.6	2.2	2.2	2.3	1.2	1.4	1.4			
			$n_{2 \text{ Eck}}$	39	36	39	39	19	39	14	29	34			
			$n_{2 \text{ th}}$	39	36	39	39	19	39	14	29	34			
112.338	1279	0.59	M_2	236	322	398	473								
			c	4.7	3.6	2.9	2.4								
			$n_{2 \text{ Eck}}$	36	33	36	36								
			$n_{2 \text{ th}}$	36	33	36	36								
112.338	1330	0.59	M_2					579	451	1064	849	795		1173	
			c					2.3	2.6	1.3	1.6	1.6		1.0	
			$n_{2 \text{ Eck}}$					17	36	13	27	31		36	
			$n_{2 \text{ th}}$					17	36	13	27	31		36	
126.578	1215	0.59	M_2	268	365	450	535	655	511	1202	959	899			
			c	4.0	3.0	2.4	2.0	1.8	2.1	1.0	1.3	1.3			
			$n_{2 \text{ Eck}}$	32	30	32	32	15	32	12	24	28			
			$n_{2 \text{ th}}$	32	30	32	32	15	32	12	24	28			
140.548	1330	1.11	M_2	298	405	500	594	728	567		1065	999			1227
			c	3.9	3.0	2.4	2.0	1.8	2.1	1.3	1.3				1.1
			$n_{2 \text{ Eck}}$	29	27	29	29	14	29	21	25				11
			$n_{2 \text{ th}}$	29	27	29	29	14	29	21	25				11
158.364	1215	1.11	M_2	338	459	566	672	823	642		1203	1128			
			c	3.2	2.4	1.9	1.6	1.5	1.7	1.0	1.0				
			$n_{2 \text{ Eck}}$	26	24	26	26	12	26	19	22				
			$n_{2 \text{ th}}$	26	24	26	25	12	25	19	20				
184.600	1330	0.69	M_2	395	536	661	785	961	749						
			c	3.0	2.3	1.8	1.5	1.4	1.6						
			$n_{2 \text{ Eck}}$	22	20	22	22	11	22						
			$n_{2 \text{ th}}$	22	20	22	22	11	22						
208.000	1215	0.69	M_2	448	607	747	887	1085	847						
			c	2.4	1.8	1.5	1.2	1.1	1.3						
			$n_{2 \text{ Eck}}$	20	18	20	20	9	20						
			$n_{2 \text{ th}}$	19	18	19	19	9	19						
224.037	1330	0.51	M_2	482	654	805	955	1169	912						
			c	2.5	1.9	1.5	1.3	1.1	1.3						
			$n_{2 \text{ Eck}}$	18	17	18	18	9	18						
			$n_{2 \text{ th}}$	18	17	18	18	9	18						
252.436	1215	0.51	M_2	546	739	909	1079		1030						
			c	2.0	1.5	1.2	1.0		1.1						
			$n_{2 \text{ Eck}}$	16	15	16	16		16						
			$n_{2 \text{ th}}$	16	15	16	16		16						

$M \dots$ [Nm]
 $n \dots$ [r/min]
 $J \dots$ [kgcm²]

$P \dots$ [kW]
 $I \dots$ [A]
 $i \dots$ [-]
 $c \dots$ [-]

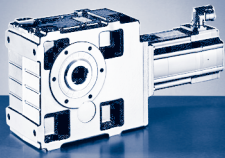


$M_{2GN} \leq 1330 \text{ Nm}$

14DC36	14HC15	14HC32	14LC15	14LC32	14PC14	14PC32	19FC14	19FC30	19JC14	19JC30	19PC14	19PC30	GKS07-3S			
...S00	...S00	...S00	...S00	...S00	...S00	...S00	...S00	...S00	...S00	...S00	...S00	...S00	M_1	J_G	M_{2GN}	i
7.50	16.00	14.00	23.00	17.20	30.00	21.00	27.00	21.00	40.00	29.00	51.00	32.00	n_1			
3600	1500	3225	1500	3225	1350	3225	1425	3000	1425	3000	1350	3000	I_{M230}			
7.5	6.6	11.9	9.7	15.0	10.8	15.6	8.6	14.0	12.3	18.5	14.3	19.0	I_{M400}			
2.80	2.50	4.70	3.60	5.80	4.20	7.10	4.00	6.60	6.00	9.10	7.20	10.00	P_N			
8.22	14.32	14.32	23.44	23.44	34.74	34.82	65.12	65.04	105.04	105.12	160.12	160.04	J_M			
561		1056											M_2			
1.8		1.0											c	1.28	1205	79.407
45		41											n_2 Eck			
45		40											n_2 th			
													M_2			
													c	0.81	1264	92.563
													n_2 Eck			
													n_2 th			
													M_2			
													c	0.81	1330	92.563
													n_2 Eck			
													n_2 th			
													M_2			
													c	0.80	1215	104.296
													n_2 Eck			
													n_2 th			
													M_2			
													c	0.59	1279	112.338
													n_2 Eck			
													n_2 th			
													M_2			
													c	0.59	1330	112.338
													n_2 Eck			
													n_2 th			
													M_2			
													c	0.59	1215	126.578
													n_2 Eck			
													n_2 th			
999													M_2			
1.3													c	1.11	1330	140.548
26													n_2 Eck			
25													n_2 th			
1128													M_2			
1.0													c	1.11	1215	158.364
23													n_2 Eck			
20													n_2 th			
													M_2			
													c	0.69	1330	184.600
													n_2 Eck			
													n_2 th			
													M_2			
													c	0.69	1215	208.000
													n_2 Eck			
													n_2 th			
													M_2			
													c	0.51	1330	224.037
													n_2 Eck			
													n_2 th			
													M_2			
													c	0.51	1215	252.436
													n_2 Eck			
													n_2 th			

$M \dots$ [Nm]
 $n \dots$ [r/min]
 $J \dots$ [kgcm²]

$P \dots$ [kW]
 $I \dots$ [A]
 i [-]
 c [-]



GKS [Nm]

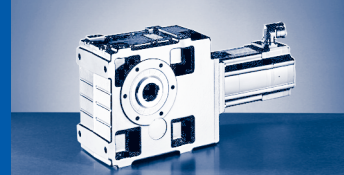
GKS□□-□S (MCS)

$M_{2GN} \leq 1330 \text{ Nm}$

GKS07-3S				09DC41	09FC38	09HC41	09LC41	12DC20	12DC41	12HC15	12HC30	12HC35	12LC20	12LC41	14DC15	
				...500	...500	...500	...500	...500	...500	...500	...500	...500	...500	...500	...500	
i	M_{2GN}	J_G	M_1	2.30	3.10	3.80	4.50	5.50	4.30	10.00	8.00	7.50	13.50	11.00	9.20	
			n_1	4050	3750	4050	4050	1950	4050	1500	3000	3525	1950	4050	1500	
			I_{M230}	4.6	5.0	6.8	8.4	5.2	8.8	7.6	10.5		11.8			
			I_{M400}	2.3	2.5	3.4	4.2	2.6	4.5	3.8		5.7	5.9	10.2	4.5	
			P_N	1.00	1.20	1.60	1.90	1.10	1.80	1.60	2.50	2.80	2.80	4.70	1.45	
			J_M	1.13	1.53	1.93	2.83	4.12	4.12	7.42	7.42	7.42	10.72	10.72	8.22	
283.193	1330	0.33	M_2	613	830	1020										
			c	2.0	1.5	1.2										
			$n_{2 \text{ Eck}}$	14	13	14										
			$n_{2 \text{ th}}$	14	13	14										
319.091	1215	0.33	M_2	693	938											
			c	1.6	1.2											
			$n_{2 \text{ Eck}}$	13	12											
			$n_{2 \text{ th}}$	13	12											

$M \dots$ [Nm]
 $n \dots$ [r/min]
 $J \dots$ [kgcm²]

$P \dots$ [kW]
 $I \dots$ [A]
 $i \dots$ [-]
 $c \dots$ [-]

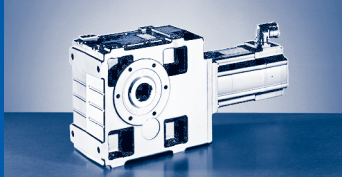


$M_{2GN} \leq 1330 \text{ Nm}$

14DC36	14HC15	14HC32	14LC15	14LC32	14PC14	14PC32	19FC14	19FC30	19JC14	19JC30	19PC14	19PC30	GKS07-3S			
...S00	...S00	...S00	...S00	...S00	...S00	...S00	...S00	...S00	...S00	...S00	...S00	...S00	M_1	J_G	M_{2GN}	i
7.50	16.00	14.00	23.00	17.20	30.00	21.00	27.00	21.00	40.00	29.00	51.00	32.00	n_1			
3600	1500	3225	1500	3225	1350	3225	1425	3000	1425	3000	1350	3000	I_{M230}			
7.5	6.6	11.9	9.7	15.0	10.8	15.6	8.6	14.0	12.3	18.5	14.3	19.0	I_{M400}			
2.80	2.50	4.70	3.60	5.80	4.20	7.10	4.00	6.60	6.00	9.10	7.20	10.00	P_N			
8.22	14.32	14.32	23.44	23.44	34.74	34.82	65.12	65.04	105.04	105.12	160.12	160.04	J_M			
													M_2			
													c	0.33	1330	283.193
													$n_{2 \text{ Eck}}$			
													$n_{2 \text{ th}}$			
													M_2			
													c	0.33	1215	319.091
													$n_{2 \text{ Eck}}$			
													$n_{2 \text{ th}}$			

M ... [Nm]
n ... [r/min]
J ... [kgcm²]

P ... [kW]
I ... [A]
i [-]
c [-]



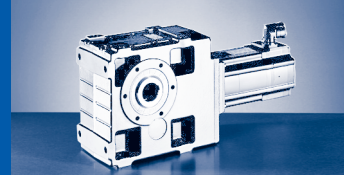
GKS [Nm]
GKS□□-□S (MCS)

$M_{2GN} \leq 1330 \text{ Nm}$

GKS07-4S				06CC41	06FC41	06IC41	09DC41	09FC38	09HC41	09LC41	12DC20	12DC41	12HC15	12HC30	12HC35	
				...500	...500	...500	...500	...500	...500	...500	...500	...500	...500	...500	...500	
i	M_{2GN}	J_G	M_1	0.60	1.20	1.50	2.30	3.10	3.80	4.50	5.50	4.30	10.00	8.00	7.50	
			n_1	4050	4050	4050	4050	3750	4050	4050	1950	4050	1500	3000	3525	
			I_{M230}	2.6	2.9	3.2	4.6	5.0	6.8	8.4	5.2	8.8	7.6	10.5		
			I_{M400}	1.3	1.5	1.6	2.3	2.5	3.4	4.2	2.6	4.5	3.8		5.7	
			P_N	0.25	0.51	0.64	1.00	1.20	1.60	1.90	1.10	1.80	1.60	2.50	2.80	
			J_M	0.17	0.25	0.33	1.13	1.53	1.93	2.83	4.12	4.12	7.42	7.42	7.42	
103.039	1290	0.84	M_2				212	290	358	426	521	407	959	765	717	
			c				4.8	3.6	2.9	2.4	2.4	2.5	1.3	1.5	1.5	
			$n_2 \text{ Eck}$				39	36	39	39	39	19	39	15	29	34
			$n_2 \text{ th}$				39	36	39	39	39	19	39	15	29	34
112.391	1053	0.63	M_2				234	318	393	467	572	446	1049	837	785	
			c				4.0	3.0	2.4	2.0	1.8	2.1	1.0	1.3	1.3	
			$n_2 \text{ Eck}$				36	33	36	36	17	36	13	27	31	
			$n_2 \text{ th}$				36	33	36	36	17	36	13	27	31	
126.222	1300	0.73	M_2				261	356	440	523	641	500	1177	939	880	
			c				4.3	3.3	2.6	2.2	2.0	2.3	1.1	1.4	1.4	
			$n_2 \text{ Eck}$				32	30	32	32	16	32	12	24	28	
			$n_2 \text{ th}$				32	30	32	32	15	32	12	24	28	
137.748	1053	0.57	M_2			185	289	393	484	575	704	549		1029	964	
			c			4.9	3.2	2.5	2.0	1.7	1.5	1.7		1.0	1.0	
			$n_2 \text{ Eck}$			29	29	27	29	29	14	29		22	26	
			$n_2 \text{ th}$			29	29	27	29	29	14	29		22	26	
154.622	1300	0.53	M_2			206	323	439	542	644	789	615		1153	1081	
			c			5.4	3.5	2.7	2.1	1.8	1.6	1.9		1.1	1.1	
			$n_2 \text{ Eck}$			26	26	24	26	26	13	26		19	23	
			$n_2 \text{ th}$			26	26	24	26	26	13	26		19	23	
179.201	1053	0.28	M_2		193	243	379	514	632	751						
			c		4.8	3.8	2.5	1.9	1.5	1.3						
			$n_2 \text{ Eck}$		23	23	23	21	23	23						
			$n_2 \text{ th}$		23	23	23	21	23	23						
201.254	1310	0.45	M_2		215	272	424	576	709	842	1031	804				
			c		5.3	4.2	2.7	2.1	1.7	1.4	1.3	1.5				
			$n_2 \text{ Eck}$		20	20	20	19	20	20	10	20				
			$n_2 \text{ th}$		20	20	20	19	20	20	10	20				
222.909	1053	0.20	M_2		242	305	474	642	789	936						
			c		3.8	3.1	2.0	1.5	1.2	1.0						
			$n_2 \text{ Eck}$		18	18	18	17	18	18						
			$n_2 \text{ th}$		18	18	18	17	18	18						
246.659	1320	0.42	M_2		267	336	523	708	872	1035	1266	988				
			c		4.3	3.5	2.3	1.7	1.4	1.2	1.0	1.2				
			$n_2 \text{ Eck}$		16	16	16	15	16	16	8	16				
			$n_2 \text{ th}$		16	16	16	15	16	16	8	16				
273.199	1053	0.18	M_2		299	377	583	789								
			c		3.1	2.5	1.6	1.2								
			$n_2 \text{ Eck}$		15	15	15	14								
			$n_2 \text{ th}$		15	15	15	14								
321.049	1320	0.26	M_2		351	442	684	926	1139							
			c		3.3	2.7	1.7	1.3	1.1							
			$n_2 \text{ Eck}$		13	13	13	12	13							
			$n_2 \text{ th}$		13	13	13	12	13							
358.829	1053	0.17	M_2	193	396	498	769									
			c	4.7	2.4	1.9	1.2									
			$n_2 \text{ Eck}$	11	11	11	11									
			$n_2 \text{ th}$	11	11	11	11									
399.353	1320	0.18	M_2	213	439	553	854	1155								
			c	5.3	2.7	2.1	1.4	1.1								
			$n_2 \text{ Eck}$	10	10	10	10	9								
			$n_2 \text{ th}$	10	10	10	10	9								

M ... [Nm]
n ... [r/min]
J ... [kgcm²]

P ... [kW]
I ... [A]
i [-]
c [-]

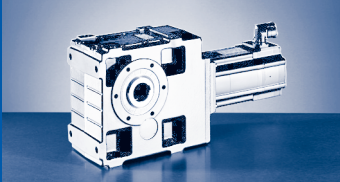


$M_{2GN} \leq 1330 \text{ Nm}$

GKS07-4S				06CC41	06FC41	06IC41	09DC41	09FC38	09HC41	09LC41	12DC20	12DC41	12HC15	12HC30	12HC35	
				...500	...500	...500	...500	...500	...500	...500	...500	...500	...500	...500	...500	
i	M_{2GN}	J_G	M_1	0.60	1.20	1.50	2.30	3.10	3.80	4.50	5.50	4.30	10.00	8.00	7.50	
			n_1	4050	4050	4050	4050	3750	4050	4050	1950	4050	1500	3000	3525	
			I_{M230}	2.6	2.9	3.2	4.6	5.0	6.8	8.4	5.2	8.8	7.6	10.5		
			I_{M400}	1.3	1.5	1.6	2.3	2.5	3.4	4.2	2.6	4.5	3.8		5.7	
			P_N	0.25	0.51	0.64	1.00	1.20	1.60	1.90	1.10	1.80	1.60	2.50	2.80	
			J_M	0.17	0.25	0.33	1.13	1.53	1.93	2.83	4.12	4.12	7.42	7.42	7.42	
464.367	1053	0.11	M_2	253	516	647										
			c	3.7	1.8	1.5										
			$n_{2 \text{ Eck}}$	9	9	9										
			$n_{2 \text{ th}}$	9	9	9										
516.810	1320	0.11	M_2	280	572	719										
			c	4.1	2.1	1.7										
			$n_{2 \text{ Eck}}$	8	8	8										
			$n_{2 \text{ th}}$	8	8	8										
563.572	1053	0.10	M_2	309	628	788										
			c	3.0	1.5	1.2										
			$n_{2 \text{ Eck}}$	7	7	7										
			$n_{2 \text{ th}}$	7	7	7										
636.581	1330	0.16	M_2	348	708	888										
			c	3.4	1.7	1.4										
			$n_{2 \text{ Eck}}$	6	6	6										
			$n_{2 \text{ th}}$	6	6	6										
683.972	1053	0.07	M_2	377	764											
			c	2.5	1.2											
			$n_{2 \text{ Eck}}$	6	6											
			$n_{2 \text{ th}}$	6	6											
823.810	1330	0.10	M_2	454	920	1153										
			c	2.6	1.3	1.0										
			$n_{2 \text{ Eck}}$	5	5	5										
			$n_{2 \text{ th}}$	5	5	5										
928.237	1215	0.10	M_2	514	1039											
			c	2.1	1.1											
			$n_{2 \text{ Eck}}$	4	4											
			$n_{2 \text{ th}}$	4	4											
999.806	1330	0.07	M_2	553	1119											
			c	2.2	1.1											
			$n_{2 \text{ Eck}}$	4	4											
			$n_{2 \text{ th}}$	4	4											
1126.542	1215	0.07	M_2	626												
			c	1.7												
			$n_{2 \text{ Eck}}$	4												
			$n_{2 \text{ th}}$	4												

M ... [Nm]
n ... [r/min]
J ... [kgcm²]

P ... [kW]
I ... [A]
i [-]
c [-]



GKS [Nm]

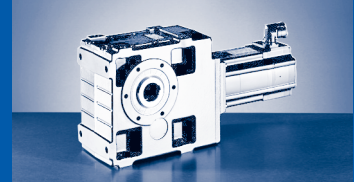
GKS□□-□S (MCS)

$M_{2GN} \leq 3080 \text{ Nm}$

GKS09-3S				12DC20	12DC41	12HC15	12HC30	12HC35	12LC20	12LC41	14DC15	14DC36	14HC15
				...500	...500	...500	...500	...500	...500	...500	...500	...500	...500
i	M_{2GN}	J_G	M_1	5.50	4.30	10.00	8.00	7.50	13.50	11.00	9.20	7.50	16.00
			n_1	1950	4050	1500	3000	3525	1950	4050	1500	3600	1500
			I_{M230}	5.2	8.8	7.6	10.5		11.8				
			I_{M400}	2.6	4.5	3.8		5.7	5.9	10.2	4.5	7.5	6.6
			P_N	1.10	1.80	1.60	2.50	2.80	2.80	4.70	1.45	2.80	2.50
			J_M	4.12	4.12	7.42	7.42	7.42	10.72	10.72	8.22	8.22	14.32
12.283	1615	34.20	M_2 c $n_{2 \text{ Eck}}$ $n_{2 \text{ th}}$										
13.360	1757	33.40	M_2 c $n_{2 \text{ Eck}}$ $n_{2 \text{ th}}$										
16.122	1506	22.60	M_2 c $n_{2 \text{ Eck}}$ $n_{2 \text{ th}}$										
16.122	1801	22.60	M_2 c $n_{2 \text{ Eck}}$ $n_{2 \text{ th}}$										
17.536	1638	22.20	M_2 c $n_{2 \text{ Eck}}$ $n_{2 \text{ th}}$										
17.536	1958	22.20	M_2 c $n_{2 \text{ Eck}}$ $n_{2 \text{ th}}$										
19.541	2570	30.60	M_2 c $n_{2 \text{ Eck}}$ $n_{2 \text{ th}}$										
22.022	2672	29.90	M_2 c $n_{2 \text{ Eck}}$ $n_{2 \text{ th}}$										
25.649	2396	20.50	M_2 c $n_{2 \text{ Eck}}$ $n_{2 \text{ th}}$										
25.649	2862	20.50	M_2 c $n_{2 \text{ Eck}}$ $n_{2 \text{ th}}$										
29.228	2500	15.90	M_2 c $n_{2 \text{ Eck}}$ $n_{2 \text{ th}}$										423 5.6 51 51
29.228	2914	15.90	M_2 c $n_{2 \text{ Eck}}$ $n_{2 \text{ th}}$										
32.940	2818	15.60	M_2 c $n_{2 \text{ Eck}}$ $n_{2 \text{ th}}$										476 5.6 46 46

$M \dots$ [Nm]
 $n \dots$ [r/min]
 $J \dots$ [kgcm²]

$P \dots$ [kW]
 $I \dots$ [A]
 i [-]
 c [-]

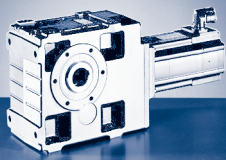


$M_{2GN} \leq 3080 \text{ Nm}$

14HC32	14LC15	14LC32	14PC14	14PC32	19FC14	19FC30	19JC14	19JC30	19PC14	19PC30	GKS09-3S			
...S00	...S00	...S00	...S00	...S00	...S00	...S00	...S00	...S00	...S00	...S00	M_1	J_G	M_{2GN}	i
14.00	23.00	17.20	30.00	21.00	27.00	21.00	40.00	29.00	51.00	32.00	n_1			
3225	1500	3225	1350	3225	1425	3000	1425	3000	1350	3000	I_{M230}			
11.9	9.7	15.0	10.8	15.6	8.6	14.0	12.3	18.5	14.3	19.0	I_{M400}			
4.70	3.60	5.80	4.20	7.10	4.00	6.60	6.00	9.10	7.20	10.00	P_N			
14.32	23.44	23.44	34.74	34.82	65.12	65.04	105.04	105.12	160.12	160.04	J_M			
					301	234	455	328	584	364	M_2			
					5.1	5.2	3.5	3.8	2.7	3.4	c			
					116	244	116	244	110	244	$n_2 \text{ Eck}$	34.20	1615	12.283
					116	166	116	155	110	152	$n_2 \text{ th}$			
					328	255	494	357	636	396	M_2			
					5.1	5.2	3.5	3.8	2.7	3.4	c			
					107	225	107	225	101	225	$n_2 \text{ Eck}$	33.40	1757	13.360
					107	153	107	143	101	139	$n_2 \text{ th}$			
204	340	254	448	313							M_2			
5.4	4.3	4.4	3.3	3.6							c			
200	93	200	84	200							$n_2 \text{ Eck}$	22.60	1506	16.122
145	93	139	84	133							$n_2 \text{ th}$			
					399	310	600	434	770	480	M_2			
					4.4	4.4	2.9	3.2	2.3	2.9	c			
					88	186	88	186	84	186	$n_2 \text{ Eck}$	22.60	1801	16.122
					88	137	88	130	84	127	$n_2 \text{ th}$			
222	370	276	488	340							M_2			
5.4	4.3	4.4	3.3	3.6							c			
184	86	184	77	184							$n_2 \text{ Eck}$	22.20	1638	17.536
133	86	128	77	122							$n_2 \text{ th}$			
					434	337	653	472	838	522	M_2			
					4.4	4.4	2.9	3.2	2.3	2.9	c			
					81	171	81	171	77	171	$n_2 \text{ Eck}$	22.20	1958	17.536
					81	126	81	119	77	117	$n_2 \text{ th}$			
					479	372	723	522	930	579	M_2			
					5.1	5.2	3.5	3.8	2.7	3.4	c			
					73	154	73	154	69	154	$n_2 \text{ Eck}$	30.60	2570	19.541
					73	105	73	97	69	95	$n_2 \text{ th}$			
					543	422	817	591	1050	654	M_2			
					4.7	4.8	3.2	3.5	2.5	3.2	c			
					65	136	65	136	61	136	$n_2 \text{ Eck}$	29.90	2672	22.022
					65	91	65	85	61	83	$n_2 \text{ th}$			
325	541	404	713	497							M_2			
5.4	4.3	4.4	3.3	3.6							c			
126	59	126	53	126							$n_2 \text{ Eck}$	20.50	2396	25.649
91	58	87	53	84							$n_2 \text{ th}$			
					635	493	955	690	1225	764	M_2			
					4.4	4.4	2.9	3.2	2.3	2.9	c			
					56	117	56	117	53	117	$n_2 \text{ Eck}$	20.50	2862	25.649
					56	86	56	81	53	80	$n_2 \text{ th}$			
372	619	462	815	569							M_2			
5.0	3.9	4.1	3.0	3.3							c			
110	51	110	46	110							$n_2 \text{ Eck}$	15.90	2500	29.228
86	51	82	46	79							$n_2 \text{ th}$			
					727	565	1092	789	1400	873	M_2			
					3.9	4.0	2.6	2.9	2.1	2.6	c			
					49	103	49	103	46	103	$n_2 \text{ Eck}$	15.90	2914	29.228
					49	76	49	76	46	75	$n_2 \text{ th}$			
420	698	521	919	641							M_2			
5.0	3.9	4.1	3.0	3.3							c			
98	46	98	41	98							$n_2 \text{ Eck}$	15.60	2818	32.940
76	46	73	41	70							$n_2 \text{ th}$			

$M \dots$ [Nm]
 $n \dots$ [r/min]
 $J \dots$ [kgcm²]

$P \dots$ [kW]
 $I \dots$ [A]
 $i \dots$ [-]
 $c \dots$ [-]



GKS [Nm]

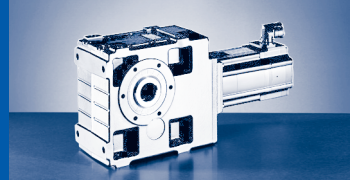
GKS□□-□S (MCS)

$M_{2GN} \leq 3080 \text{ Nm}$

GKS09-3S				12DC20	12DC41	12HC15	12HC30	12HC35	12LC20	12LC41	14DC15	14DC36	14HC15
				...500	...500	...500	...500	...500	...500	...500	...500	...500	...500
i	M_{2GN}	J_G	M_1	5.50	4.30	10.00	8.00	7.50	13.50	11.00	9.20	7.50	16.00
			n_1	1950	4050	1500	3000	3525	1950	4050	1500	3600	1500
			I_{M230}	5.2	8.8	7.6	10.5		11.8				
			I_{M400}	2.6	4.5	3.8		5.7	5.9	10.2	4.5	7.5	6.6
			P_N	1.10	1.80	1.60	2.50	2.80	2.80	4.70	1.45	2.80	2.50
			J_M	4.12	4.12	7.42	7.42	7.42	10.72	10.72	8.22	8.22	14.32
32.940	2984	15.60	M_2 c $n_{2 \text{ Eck}}$ $n_{2 \text{ th}}$										
35.193	1686	12.20	M_2 c $n_{2 \text{ Eck}}$ $n_{2 \text{ th}}$			320 5.0 43 43	256 5.0 85 81	240 5.1 100 81	440 3.4 55 55	359 3.3 115 74			
35.193	2638	12.20	M_2 c $n_{2 \text{ Eck}}$ $n_{2 \text{ th}}$										513 4.9 43 43
35.193	3029	12.20	M_2 c $n_{2 \text{ Eck}}$ $n_{2 \text{ th}}$										
39.662	1900	12.00	M_2 c $n_{2 \text{ Eck}}$ $n_{2 \text{ th}}$			361 5.0 38 38	289 5.0 76 72	270 5.1 89 72	496 3.4 49 49	404 3.3 102 66			
39.662	2973	12.00	M_2 c $n_{2 \text{ Eck}}$ $n_{2 \text{ th}}$										578 4.9 38 38
39.662	3002	12.00	M_2 c $n_{2 \text{ Eck}}$ $n_{2 \text{ th}}$										
43.146	2776	9.00	M_2 c $n_{2 \text{ Eck}}$ $n_{2 \text{ th}}$										633 4.2 35 35
43.146	3024	9.00	M_2 c $n_{2 \text{ Eck}}$ $n_{2 \text{ th}}$										
48.625	3017	8.87	M_2 c $n_{2 \text{ Eck}}$ $n_{2 \text{ th}}$										715 4.1 31 31
58.456	1882	5.54	M_2 c $n_{2 \text{ Eck}}$ $n_{2 \text{ th}}$			541 3.4 26 26	431 3.8 51 51	404 3.9 60 60	738 2.5 33 33	601 2.5 69 56			
58.456	2940	5.54	M_2 c $n_{2 \text{ Eck}}$ $n_{2 \text{ th}}$								485 5.8 26 26	395 6.0 62 61	867 3.3 26 26
65.879	2121	5.47	M_2 c $n_{2 \text{ Eck}}$ $n_{2 \text{ th}}$			610 3.4 23 23	486 3.8 46 46	455 3.9 54 54	831 2.5 30 30	677 2.5 62 50			

$M \dots$ [Nm]
 $n \dots$ [r/min]
 $J \dots$ [kgcm²]

$P \dots$ [kW]
 $I \dots$ [A]
 $i \dots$ [-]
 $c \dots$ [-]

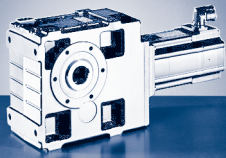


$M_{2GN} \leq 3080 \text{ Nm}$

14HC32	14LC15	14LC32	14PC14	14PC32	19FC14	19FC30	19JC14	19JC30	19PC14	19PC30	GKS09-3S			
...S00	...S00	...S00	...S00	...S00	...S00	...S00	...S00	...S00	...S00	...S00	M_1	J_G	M_{2GN}	i
14.00	23.00	17.20	30.00	21.00	27.00	21.00	40.00	29.00	51.00	32.00	n_1			
3225	1500	3225	1350	3225	1425	3000	1425	3000	1350	3000	l_{M230}			
											l_{M400}			
11.9	9.7	15.0	10.8	15.6	8.6	14.0	12.3	18.5	14.3	19.0	P_N			
4.70	3.60	5.80	4.20	7.10	4.00	6.60	6.00	9.10	7.20	10.00	J_M			
14.32	23.44	23.44	34.74	34.82	65.12	65.04	105.04	105.12	160.12	160.04	M_2			
					822	639	1233	892	1581	987	c			
					3.5	3.6	2.4	2.6	1.9	2.4	$n_{2 \text{ Eck}}$	15.60	2984	32.940
					43	91	43	91	41	91	$n_{2 \text{ th}}$			
					43	67	43	66	41	65	M_2			
											c	12.20	1686	35.193
											$n_{2 \text{ Eck}}$			
											$n_{2 \text{ th}}$			
451	749	560	986	688							M_2			
4.4	3.4	3.6	2.6	2.9							c	12.20	2638	35.193
92	43	92	38	92							$n_{2 \text{ Eck}}$			
79	43	75	38	72							$n_{2 \text{ th}}$			
											M_2			
					880	684	1319	954	1691	1056	c	12.20	3029	35.193
					3.4	3.4	2.3	2.5	1.8	2.3	$n_{2 \text{ Eck}}$			
					41	85	41	85	38	85	$n_{2 \text{ th}}$			
					40	63	40	63	38	63	M_2			
											c	12.00	1900	39.662
											$n_{2 \text{ Eck}}$			
											$n_{2 \text{ th}}$			
509	844	631	1111	775							M_2			
4.4	3.4	3.6	2.6	2.9							c	12.00	2973	39.662
81	38	81	34	81							$n_{2 \text{ Eck}}$			
70	38	67	34	64							$n_{2 \text{ th}}$			
											M_2			
					996	774	1491	1079	1910	1193	c	12.00	3002	39.662
					3.0	3.0	2.0	2.2	1.6	2.0	$n_{2 \text{ Eck}}$			
					36	76	36	76	34	76	$n_{2 \text{ th}}$			
					36	56	36	56	34	56	M_2			
											c	9.00	2776	43.146
554	923	687	1213	844							$n_{2 \text{ Eck}}$			
4.3	3.0	3.5	2.3	2.8							$n_{2 \text{ th}}$			
75	35	75	31	75							M_2			
69	35	66	31	64							c	9.00	2776	43.146
											$n_{2 \text{ Eck}}$			
											$n_{2 \text{ th}}$			
					1086	841	1625	1172	2080	1297	M_2			
					2.7	3.2	1.9	2.3	1.5	2.1	c	9.00	3024	43.146
					33	70	33	70	31	70	$n_{2 \text{ Eck}}$			
					33	51	33	51	31	51	$n_{2 \text{ th}}$			
625	1042	775	1368	952	1228	951	1835	1325	2349	1465	M_2			
4.1	2.8	3.3	2.2	2.7	2.4	2.8	1.6	2.0	1.3	1.8	c	8.87	3017	48.625
66	31	66	28	66	29	62	29	62	28	62	$n_{2 \text{ Eck}}$			
61	31	59	28	56	29	45	29	45	28	45	$n_{2 \text{ th}}$			
											M_2			
											c	5.54	1882	58.456
											$n_{2 \text{ Eck}}$			
											$n_{2 \text{ th}}$			
758	1260	938	1652	1151							M_2			
3.3	2.3	2.7	1.8	2.2							c	5.54	2940	58.456
55	26	55	23	55							$n_{2 \text{ Eck}}$			
55	26	55	23	55							$n_{2 \text{ th}}$			
											M_2			
											c	5.47	2121	65.879
											$n_{2 \text{ Eck}}$			
											$n_{2 \text{ th}}$			

$M_{...}$ [Nm]
 $n_{...}$ [r/min]
 $J_{...}$ [kgcm²]

$P_{...}$ [kW]
 $I_{...}$ [A]
 i [-]
 c [-]



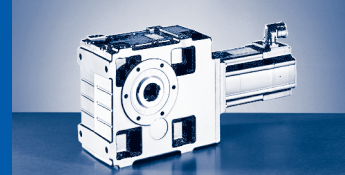
GKS [Nm] GKS□□-□S (MCS)

$M_{2GN} \leq 3080 \text{ Nm}$

GKS09-3S				12DC20	12DC41	12HC15	12HC30	12HC35	12LC20	12LC41	14DC15	14DC36	14HC15		
				...500	...500	...500	...500	...500	...500	...500	...500	...500	...500		
i	M_{2GN}	J_G	M_1	5.50	4.30	10.00	8.00	7.50	13.50	11.00	9.20	7.50	16.00		
			n_1	1950	4050	1500	3000	3525	1950	4050	1500	3600	1500		
			I_{M230}	5.2	8.8	7.6	10.5		11.8						
			I_{M400}	2.6	4.5	3.8		5.7	5.9	10.2	4.5	7.5	6.6		
			P_N	1.10	1.80	1.60	2.50	2.80	2.80	4.70	1.45	2.80	2.50		
			J_M	4.12	4.12	7.42	7.42	7.42	10.72	10.72	8.22	8.22	14.32		
65.879	3048	5.47	M_2								550	447	980		
			c									5.3	5.5	3.0	
			$n_{2 \text{ Eck}}$										23	55	23
			$n_{2 \text{ th}}$										23	55	23
70.982	1959	4.14	M_2	354	276	661	526	493	899	733					
			c	5.3	5.5	2.9	3.3	3.3	2.2	2.2					
			$n_{2 \text{ Eck}}$	28	57	21	42	50	28	57					
			$n_{2 \text{ th}}$	27	57	21	42	50	27	53					
70.982	3031	4.14	M_2								595	484	1058		
			c									4.9	5.1	2.8	
			$n_{2 \text{ Eck}}$										21	51	21
			$n_{2 \text{ th}}$										21	51	21
79.996	2207	4.10	M_2	399	311	745	593	556	1013	826					
			c	5.3	5.5	2.9	3.3	3.3	2.2	2.2					
			$n_{2 \text{ Eck}}$	24	51	19	38	44	24	51					
			$n_{2 \text{ th}}$	24	51	19	38	44	24	47					
79.996	3071	4.10	M_2								674	548	1196		
			c									4.4	4.6	2.5	
			$n_{2 \text{ Eck}}$										19	45	19
			$n_{2 \text{ th}}$										19	45	19
91.860	2032	2.63	M_2	464	362	860	686	643	1169	952					
			c	4.2	4.4	2.3	2.6	2.7	1.7	1.7					
			$n_{2 \text{ Eck}}$	21	44	16	33	38	21	44					
			$n_{2 \text{ th}}$	21	44	16	33	38	21	44					
91.860	3031	2.63	M_2								779	634	1379		
			c									3.8	3.9	2.2	
			$n_{2 \text{ Eck}}$										16	39	16
			$n_{2 \text{ th}}$										16	39	16
103.524	2290	2.61	M_2	522	408	970	773	725	1317	1073					
			c	4.2	4.4	2.3	2.6	2.7	1.7	1.7					
			$n_{2 \text{ Eck}}$	19	39	15	29	34	19	39					
			$n_{2 \text{ th}}$	19	39	14	29	34	19	39					
103.524	3080	2.61	M_2								882	718	1557		
			c									3.4	3.5	2.0	
			$n_{2 \text{ Eck}}$										15	35	15
			$n_{2 \text{ th}}$										14	35	14
111.484	2058	1.92	M_2	567	441	1048	834	782	1423	1158					
			c	3.5	4.1	1.9	2.4	2.5	1.4	1.6					
			$n_{2 \text{ Eck}}$	18	36	14	27	32	18	36					
			$n_{2 \text{ th}}$	17	36	13	27	32	17	36					
111.484	3031	1.92	M_2								953	773	1680		
			c									3.1	3.6	1.8	
			$n_{2 \text{ Eck}}$										14	32	14
			$n_{2 \text{ th}}$										13	32	13
125.641	2319	1.90	M_2	639	496	1182	940	881	1604	1304					
			c	3.5	4.1	1.9	2.4	2.5	1.4	1.6					
			$n_{2 \text{ Eck}}$	16	32	12	24	28	16	32					
			$n_{2 \text{ th}}$	16	32	12	24	28	16	32					
125.641	3080	1.90	M_2								1077	874	1897		
			c									2.8	3.2	1.6	
			$n_{2 \text{ Eck}}$										12	29	12
			$n_{2 \text{ th}}$										12	29	12

$M \dots$ [Nm]
 $n \dots$ [r/min]
 $J \dots$ [kgcm²]

$P \dots$ [kW]
 $I \dots$ [A]
 $i \dots$ [-]
 $c \dots$ [-]

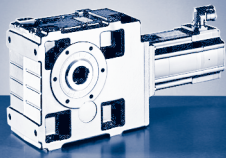


$M_{2GN} \leq 3080 \text{ Nm}$

14HC32	14LC15	14LC32	14PC14	14PC32	19FC14	19FC30	19JC14	19JC30	19PC14	19PC30	GKS09-3S			
...500	...500	...500	...500	...500	...500	...500	...500	...500	...500	...500	M_1	J_G	M_{2GN}	i
14.00	23.00	17.20	30.00	21.00	27.00	21.00	40.00	29.00	51.00	32.00	n_1			
3225	1500	3225	1350	3225	1425	3000	1425	3000	1350	3000	I_{M230}			
											I_{M400}			
11.9	9.7	15.0	10.8	15.6	8.6	14.0	12.3	18.5	14.3	19.0	P_N			
4.70	3.60	5.80	4.20	7.10	4.00	6.60	6.00	9.10	7.20	10.00	J_M			
14.32	23.44	23.44	34.74	34.82	65.12	65.04	105.04	105.12	160.12	160.04	M_2			
857	1422	1059	1865	1300							c			
3.1	2.1	2.5	1.6	2.0							$n_{2 Eck}$	5.47	3048	65.879
49	23	49	21	49							$n_{2 th}$			
49	23	49	20	48							M_2			
											c			
											$n_{2 Eck}$	4.14	1959	70.982
											$n_{2 th}$			
926	1535	1144	2012	1403							M_2			
2.8	2.0	2.3	1.5	1.9							c			
45	21	45	19	45							$n_{2 Eck}$	4.14	3031	70.982
45	21	45	19	45							$n_{2 th}$			
											M_2			
											c			
											$n_{2 Eck}$	4.10	2207	79.996
											$n_{2 th}$			
1047	1734	1292	2271	1584							M_2			
2.5	1.8	2.1	1.4	1.7							c			
40	19	40	17	40							$n_{2 Eck}$	4.10	3071	79.996
40	19	40	17	40							$n_{2 th}$			
											M_2			
											c			
											$n_{2 Eck}$	2.63	2032	91.860
											$n_{2 th}$			
1206	1996	1488	2613	1824							M_2			
2.2	1.5	1.8	1.2	1.5							c			
35	16	35	15	35							$n_{2 Eck}$	2.63	3031	91.860
35	16	35	15	35							$n_{2 th}$			
											M_2			
											c			
											$n_{2 Eck}$	2.61	2290	103.524
											$n_{2 th}$			
1363	2253	1681	2949	2058							M_2			
2.0	1.4	1.6	1.0	1.3							c			
31	15	31	13	31							$n_{2 Eck}$	2.61	3080	103.524
31	14	31	13	31							$n_{2 th}$			
											M_2			
											c			
											$n_{2 Eck}$	1.92	2058	111.484
											$n_{2 th}$			
1467	2429	1809		2216							M_2			
2.0	1.2	1.6		1.3							c			
29	14	29		29							$n_{2 Eck}$	1.92	3031	111.484
29	13	29		29							$n_{2 th}$			
											M_2			
											c			
											$n_{2 Eck}$	1.90	2319	125.641
											$n_{2 th}$			
1657	2741	2043		2501							M_2			
1.8	1.1	1.5		1.2							c			
26	12	26		26							$n_{2 Eck}$	1.90	3080	125.641
26	12	26		26							$n_{2 th}$			

$M \dots$ [Nm]
 $n \dots$ [r/min]
 $J \dots$ [kgcm²]

$P \dots$ [kW]
 $I \dots$ [A]
 $i [-]$
 $c [-]$



GKS [Nm]

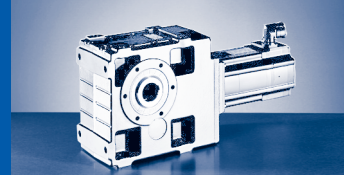
GKS□□-□S (MCS)

$M_{2GN} \leq 3080 \text{ Nm}$

GKS09-3S				12DC20	12DC41	12HC15	12HC30	12HC35	12LC20	12LC41	14DC15	14DC36	14HC15
				...500	...500	...500	...500	...500	...500	...500	...500	...500	...500
i	M_{2GN}	J_G	M_1	5.50	4.30	10.00	8.00	7.50	13.50	11.00	9.20	7.50	16.00
			n_1	1950	4050	1500	3000	3525	1950	4050	1500	3600	1500
			I_{M230}	5.2	8.8	7.6	10.5		11.8				
			I_{M400}	2.6	4.5	3.8		5.7	5.9	10.2	4.5	7.5	6.6
			P_N	1.10	1.80	1.60	2.50	2.80	2.80	4.70	1.45	2.80	2.50
			J_M	4.12	4.12	7.42	7.42	7.42	10.72	10.72	8.22	8.22	14.32
140.921	2084	1.26	M_2	722	562	1331	1060	994	1804	1468			
			c	2.8	3.3	1.6	2.0	2.0	1.2	1.3			
			$n_{2 \text{ Eck}}$	14	29	11	21	25	14	29			
			$n_{2 \text{ th}}$	14	29	11	21	25	14	29			
158.816	2349	1.25	M_2	814	633	1500	1195	1120	2033	1654			
			c	2.8	3.3	1.6	2.0	2.0	1.2	1.3			
			$n_{2 \text{ Eck}}$	12	26	9	19	22	12	26			
			$n_{2 \text{ th}}$	12	26	9	19	22	12	26			
182.000	3031	2.25	M_2	929	722	1715	1366	1280	2326	1893	1575	1280	2763
			c	3.2	3.7	1.8	2.2	2.2	1.3	1.4	1.9	2.2	1.1
			$n_{2 \text{ Eck}}$	11	22	8	17	19	11	22	8	20	8
			$n_{2 \text{ th}}$	11	22	8	16	19	11	20	8	20	8
205.111	3080	2.24	M_2	1050	817	1936	1543	1446	2625	2136	1779	1446	
			c	2.9	3.3	1.6	2.0	2.0	1.2	1.3	1.7	2.0	
			$n_{2 \text{ Eck}}$	10	20	7	15	17	10	20	7	18	
			$n_{2 \text{ th}}$	10	20	7	15	17	10	20	7	18	
220.882	3031	1.66	M_2	1134	883	2088	1664	1560	2830	2303	1919	1560	
			c	2.6	3.0	1.5	1.8	1.8	1.1	1.2	1.6	1.8	
			$n_{2 \text{ Eck}}$	9	18	7	14	16	9	18	7	16	
			$n_{2 \text{ th}}$	9	18	7	14	16	9	18	7	16	
248.930	3080	1.65	M_2	1282	998	2357	1879	1761		2599	2166	1762	
			c	2.4	2.7	1.3	1.6	1.7		1.1	1.4	1.6	
			$n_{2 \text{ Eck}}$	8	16	6	12	14		16	6	15	
			$n_{2 \text{ th}}$	8	16	6	12	14		16	6	14	
279.205	3031	1.10	M_2	1442	1124	2648	2112	1980					
			c	2.1	2.4	1.1	1.4	1.4					
			$n_{2 \text{ Eck}}$	7	15	5	11	13					
			$n_{2 \text{ th}}$	7	15	5	11	13					
314.659	3080	1.10	M_2	1629	1269	2988	2384	2234					
			c	1.9	2.2	1.0	1.3	1.3					
			$n_{2 \text{ Eck}}$	6	13	5	10	11					
			$n_{2 \text{ th}}$	6	13	5	10	11					

M ... [Nm]
 n ... [r/min]
 J ... [kgcm²]

P ... [kW]
 I ... [A]
 i [-]
 c [-]

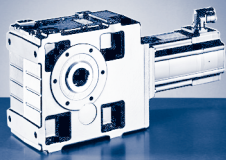


$M_{2GN} \leq 3080 \text{ Nm}$

14HC32	14LC15	14LC32	14PC14	14PC32	19FC14	19FC30	19JC14	19JC30	19PC14	19PC30	GKS09-3S			
...S00	...S00	...S00	...S00	...S00	...S00	...S00	...S00	...S00	...S00	...S00	M_1	J_G	M_{2GN}	i
14.00	23.00	17.20	30.00	21.00	27.00	21.00	40.00	29.00	51.00	32.00	n_1			
3225	1500	3225	1350	3225	1425	3000	1425	3000	1350	3000	I_{M230}			
											I_{M400}			
11.9	9.7	15.0	10.8	15.6	8.6	14.0	12.3	18.5	14.3	19.0	P_N			
4.70	3.60	5.80	4.20	7.10	4.00	6.60	6.00	9.10	7.20	10.00	J_M			
14.32	23.44	23.44	34.74	34.82	65.12	65.04	105.04	105.12	160.12	160.04	M_2			
											c			
											n_2 Eck	1.26	2084	140.921
											n_2 th			
											M_2			
											c			
											n_2 Eck	1.25	2349	158.816
											n_2 th			
2415											M_2			
1.2											c			
18											n_2 Eck	2.25	3031	182.000
18											n_2 th			
2725											M_2			
1.1											c			
16											n_2 Eck	2.24	3080	205.111
16											n_2 th			
2937											M_2			
1.0											c			
15											n_2 Eck	1.66	3031	220.882
15											n_2 th			
											M_2			
											c			
											n_2 Eck	1.65	3080	248.930
											n_2 th			
											M_2			
											c			
											n_2 Eck	1.10	3031	279.205
											n_2 th			
											M_2			
											c			
											n_2 Eck	1.10	3080	314.659
											n_2 th			

M ... [Nm]
n ... [r/min]
J ... [kgcm²]

P ... [kW]
I ... [A]
i [-]
c [-]



GKS [Nm]

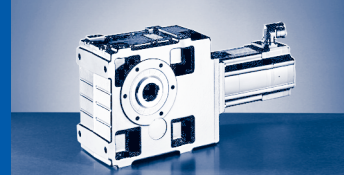
GKS□□-□S (MCS)

$M_{2GN} \leq 3080 \text{ Nm}$

GKS09-4S				06CC41	06FC41	06IC41	09DC41	09FC38	09HC41	09LC41	12DC20	12DC41	12HC15	12HC30
				...500	...500	...500	...500	...500	...500	...500	...500	...500	...500	...500
i	M_{2GN}	J_G	M_1	0.60	1.20	1.50	2.30	3.10	3.80	4.50	5.50	4.30	10.00	8.00
			n_1	4050	4050	4050	4050	3750	4050	4050	1950	4050	1500	3000
			I_{M230}	2.6	2.9	3.2	4.6	5.0	6.8	8.4	5.2	8.8	7.6	10.5
			I_{M400}	1.3	1.5	1.6	2.3	2.5	3.4	4.2	2.6	4.5	3.8	
			P_N	0.25	0.51	0.64	1.00	1.20	1.60	1.90	1.10	1.80	1.60	2.50
			J_M	0.17	0.25	0.33	1.13	1.53	1.93	2.83	4.12	4.12	7.42	7.42
100.551	2358	2.48	M_2						340	406				
			c						5.4	4.6				
			$n_{2 \text{ Eck}}$						40	40				
			$n_{2 \text{ th}}$						40	40				
100.551	3029	2.48	M_2								489		916	730
			c								5.9		3.2	3.6
			$n_{2 \text{ Eck}}$								19		15	30
			$n_{2 \text{ th}}$								19		15	30
113.320	2658	2.46	M_2						381	455				
			c						6.0	5.1				
			$n_{2 \text{ Eck}}$						36	36				
			$n_{2 \text{ th}}$						36	36				
113.320	3002	2.46	M_2								556	431	1037	823
			c								5.2	6.0	2.8	3.6
			$n_{2 \text{ Eck}}$								17	36	13	27
			$n_{2 \text{ th}}$								17	36	13	26
123.275	2891	2.11	M_2						414	495				
			c						6.0	5.1				
			$n_{2 \text{ Eck}}$						33	33				
			$n_{2 \text{ th}}$						33	33				
123.275	3024	2.11	M_2								607	471	1131	898
			c								4.8	5.5	2.6	3.3
			$n_{2 \text{ Eck}}$								16	33	12	24
			$n_{2 \text{ th}}$								16	33	12	24
138.929	3017	2.09	M_2						469	561	689	535	1279	1017
			c						5.5	4.7	4.2	4.9	2.3	2.9
			$n_{2 \text{ Eck}}$						29	29	14	29	11	22
			$n_{2 \text{ th}}$						29	29	14	29	11	22
151.012	3024	1.52	M_2						512	612	751	583	1393	1108
			c						5.1	4.3	3.9	4.5	2.2	2.7
			$n_{2 \text{ Eck}}$						27	27	13	27	10	20
			$n_{2 \text{ th}}$						27	27	13	27	10	20
170.188	3017	1.51	M_2					468	581	694	851	661	1574	1253
			c					5.7	4.5	3.8	3.5	4.0	1.9	2.4
			$n_{2 \text{ Eck}}$					22	24	24	12	24	9	18
			$n_{2 \text{ th}}$					22	24	24	11	24	9	18
204.596	3031	1.24	M_2					568	704	839	1029	801	1898	1512
			c					4.8	3.8	3.2	2.9	3.3	1.6	2.0
			$n_{2 \text{ Eck}}$					18	20	20	10	20	7	15
			$n_{2 \text{ th}}$					18	20	20	10	20	7	15
230.577	3048	1.24	M_2				471	644	797	950	1164	906	2143	1708
			c				5.6	4.2	3.4	2.9	2.6	3.0	1.4	1.8
			$n_{2 \text{ Eck}}$				18	16	18	18	9	18	7	13
			$n_{2 \text{ th}}$				18	16	18	18	8	18	7	13
248.439	3031	1.13	M_2				510	697	862	1026	1257	979	2312	1843
			c				5.1	3.9	3.1	2.6	2.4	2.8	1.3	1.6
			$n_{2 \text{ Eck}}$				16	15	16	16	8	16	6	12
			$n_{2 \text{ th}}$				16	15	16	16	8	16	6	12
279.986	3071	1.13	M_2				578	789	974	1159	1420	1106	2609	2081
			c				4.6	3.5	2.8	2.4	2.1	2.5	1.2	1.5
			$n_{2 \text{ Eck}}$				15	13	15	15	7	15	5	11
			$n_{2 \text{ th}}$				14	13	14	14	7	14	5	11

$M \dots$ [Nm]
 $n \dots$ [r/min]
 $J \dots$ [kgcm²]

$P \dots$ [kW]
 $I \dots$ [A]
 $i \dots$ [-]
 $c \dots$ [-]

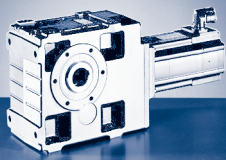


$M_{2GN} \leq 3080 \text{ Nm}$

12HC35	12LC20	12LC41	14DC15	14DC36	14HC15	14HC32	14LC15	14LC32	14PC14	14PC32	GKS09-4S			
...500	...500	...500	...500	...500	...500	...500	...500	...500	...500	...500	M_1	J_G	M_{2GN}	i
7.50	13.50	11.00	9.20	7.50	16.00	14.00	23.00	17.20	30.00	21.00	n_1			
3525	1950	4050	1500	3600	1500	3225	1500	3225	1350	3225	I_{M230}			
	11.8										I_{M400}			
5.7	5.9	10.2	4.5	7.5	6.6	11.9	9.7	15.0	10.8	15.6	P_N			
2.80	2.80	4.70	1.45	2.80	2.50	4.70	3.60	5.80	4.20	7.10	J_M			
7.42	10.72	10.72	8.22	8.22	14.32	14.32	23.44	23.44	34.74	34.82	M_2			
											c	2.48	2358	100.551
											n_2			
											n_2			
											n_2			
684	1249	1017	841	684	1486	1300	2150	1604	2814	1964	M_2			
3.7	2.4	2.4	3.5	3.7	2.0	2.0	1.4	1.7	1.1	1.4	c	2.48	3029	100.551
35	19	40	15	36	15	32	15	32	13	32	n_2			
35	19	40	15	36	15	32	15	32	13	32	n_2			
											M_2			
											c	2.46	2658	113.320
											n_2			
											n_2			
772	1412	1147	952	772	1679	1466	2428	1808		2214	M_2			
3.6	2.1	2.3	3.1	3.6	1.8	2.0	1.2	1.6		1.3	c	2.46	3002	113.320
31	17	36	13	32	13	29	13	29		29	n_2			
31	17	36	13	32	13	28	13	28		28	n_2			
											M_2			
											c	2.11	2891	123.275
											n_2			
											n_2			
842	1538	1250	1038	842	1829	1597	2643	1969		2411	M_2			
3.3	2.0	2.2	2.9	3.3	1.6	1.8	1.1	1.5		1.2	c	2.11	3024	123.275
29	16	33	12	29	12	26	12	26		26	n_2			
29	16	33	12	29	12	26	12	26		26	n_2			
953	1738	1413	1174	953	2065	1804	2983	2224		2722	M_2			
2.9	1.7	1.9	2.5	2.9	1.5	1.6	1.0	1.3		1.1	c	2.09	3017	138.929
25	14	29	11	26	11	23	11	23		23	n_2			
25	14	29	11	26	11	23	11	23		23	n_2			
1038	1892	1538	1279	1038	2248	1964		2420			M_2			
2.7	1.6	1.8	2.3	2.7	1.3	1.5		1.2			c	1.52	3024	151.012
23	13	27	10	24	10	21		21			n_2			
23	13	27	10	24	10	21		21			n_2			
1174	2136	1737	1445	1174	2537	2217		2731			M_2			
2.4	1.4	1.6	2.1	2.4	1.2	1.3		1.1			c	1.51	3017	170.188
21	12	24	9	21	9	19		19			n_2			
21	11	24	9	21	9	19		19			n_2			
1417	2574	2095	1744	1418		2671					M_2			
2.0	1.2	1.3	1.7	2.0		1.1					c	1.24	3031	204.596
17	10	20	7	18		16					n_2			
17	10	20	7	18		16					n_2			
1601	2905	2364	1969	1601							M_2			
1.8	1.1	1.2	1.5	1.8							c	1.24	3048	230.577
15	9	18	7	16							n_2			
15	8	18	7	16							n_2			
1728		2550	2125	1728							M_2			
1.7		1.1	1.4	1.6							c	1.13	3031	248.439
14		16	6	15							n_2			
14		16	6	14							n_2			
1951			2398	1951							M_2			
1.5			1.3	1.5							c	1.13	3071	279.986
13			5	13							n_2			
13			5	13							n_2			

$M \dots$ [Nm]
 $n \dots$ [r/min]
 $J \dots$ [kgcm²]

$P \dots$ [kW]
 $I \dots$ [A]
 $i [-]$
 $c [-]$



GKS [Nm]

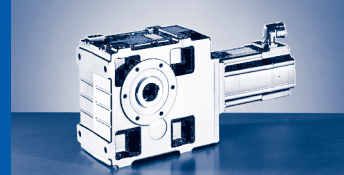
GKS□□-□S (MCS)

$M_{2GN} \leq 3080 \text{ Nm}$

GKS09-4S				06CC41	06FC41	06IC41	09DC41	09FC38	09HC41	09LC41	12DC20	12DC41	12HC15	12HC30	
				...500	...500	...500	...500	...500	...500	...500	...500	...500	...500	...500	
i	M_{2GN}	J_G	M_1	0.60	1.20	1.50	2.30	3.10	3.80	4.50	5.50	4.30	10.00	8.00	
			n_1	4050	4050	4050	4050	3750	4050	4050	1950	4050	1500	3000	
			I_{M230}	2.6	2.9	3.2	4.6	5.0	6.8	8.4	5.2	8.8	7.6	10.5	
			I_{M400}	1.3	1.5	1.6	2.3	2.5	3.4	4.2	2.6	4.5	3.8		
			P_N	0.25	0.51	0.64	1.00	1.20	1.60	1.90	1.10	1.80	1.60	2.50	
			J_M	0.17	0.25	0.33	1.13	1.53	1.93	2.83	4.12	4.12	7.42	7.42	
323.365	3031	0.71	M_2				673	916	1130	1344	1646	1283	3019	2409	
			c				4.0	3.0	2.4	2.0	1.8	2.1	1.0	1.3	
			$n_{2 \text{ Eck}}$				13	12	13	13	13	6	13	5	9
			$n_{2 \text{ th}}$				13	12	13	13	13	6	13	5	9
364.427	3071	0.71	M_2			486	761	1036	1277	1518	1859	1449		2718	
			c			5.4	3.6	2.7	2.2	1.8	1.6	1.9		1.1	
			$n_{2 \text{ Eck}}$			11	11	10	11	11	5	11		8	
			$n_{2 \text{ th}}$			11	11	10	11	11	5	11		8	
402.234	3031	0.51	M_2			540	844	1147	1413	1679	2055	1603		3004	
			c			4.9	3.2	2.4	1.9	1.6	1.5	1.7		1.0	
			$n_{2 \text{ Eck}}$			10	10	9	10	10	5	10		8	
			$n_{2 \text{ th}}$			10	10	9	10	10	5	10		7	
453.311	3071	0.51	M_2		484	612	954	1296	1596	1895	2320	1810			
			c		5.5	4.4	2.9	2.2	1.7	1.5	1.3	1.5			
			$n_{2 \text{ Eck}}$		9	9	9	8	9	9	4	9			
			$n_{2 \text{ th}}$		9	9	9	8	9	9	4	9			
520.538	3031	0.47	M_2		560	707	1100	1493	1837	2181	2669	2083			
			c		4.7	3.8	2.5	1.9	1.5	1.3	1.1	1.3			
			$n_{2 \text{ Eck}}$		8	8	8	7	8	8	4	8			
			$n_{2 \text{ th}}$		8	8	8	7	8	8	4	8			
586.638	3080	0.47	M_2		634	801	1243	1686	2074	2461	3012	2351			
			c		4.2	3.4	2.2	1.7	1.3	1.1	1.0	1.2			
			$n_{2 \text{ Eck}}$		7	7	7	6	7	7	3	7			
			$n_{2 \text{ th}}$		7	7	7	6	7	7	3	7			
631.744	3031	0.44	M_2		686	865	1342	1818	2236	2653		2534			
			c		3.9	3.1	2.0	1.5	1.2	1.0		1.1			
			$n_{2 \text{ Eck}}$		6	6	6	6	6	6		6			
			$n_{2 \text{ th}}$		6	6	6	6	6	6		6			
711.965	3080	0.44	M_2		776	978	1516	2052	2523						
			c		3.5	2.8	1.8	1.4	1.1						
			$n_{2 \text{ Eck}}$		6	6	6	5	6						
			$n_{2 \text{ th}}$		6	6	6	5	6						
817.551	3031	0.28	M_2	434	896	1128	1745	2362							
			c	6.0	3.0	2.4	1.6	1.2							
			$n_{2 \text{ Eck}}$	5	5	5	5	5							
			$n_{2 \text{ th}}$	5	5	5	5	5							
921.367	3080	0.28	M_2	492	1014	1274	1970	2665							
			c	5.4	2.7	2.2	1.4	1.1							
			$n_{2 \text{ Eck}}$	4	4	4	4	4							
			$n_{2 \text{ th}}$	4	4	4	4	4							
992.209	3031	0.20	M_2	532	1094	1375	2124								
			c	4.9	2.5	2.0	1.3								
			$n_{2 \text{ Eck}}$	4	4	4	4								
			$n_{2 \text{ th}}$	4	4	4	4								
1118.204	3080	0.20	M_2	603	1236	1553	2397								
			c	4.5	2.2	1.8	1.2								
			$n_{2 \text{ Eck}}$	4	4	4	4								
			$n_{2 \text{ th}}$	4	4	4	4								
1254.197	3031	0.13	M_2	681	1391	1746									
			c	3.9	2.0	1.6									
			$n_{2 \text{ Eck}}$	3	3	3									
			$n_{2 \text{ th}}$	3	3	3									

$M \dots$ [Nm]
 $n \dots$ [r/min]
 $J \dots$ [kgcm²]

$P \dots$ [kW]
 $I \dots$ [A]
 $i \dots$ [-]
 $c \dots$ [-]

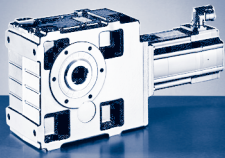


$M_{2GN} \leq 3080 \text{ Nm}$

12HC35	12LC20	12LC41	14DC15	14DC36	14HC15	14HC32	14LC15	14LC32	14PC14	14PC32	GKS09-4S			
...S00	...S00	...S00	...S00	...S00	...S00	...S00	...S00	...S00	...S00	...S00	M_1	J_G	M_{2GN}	i
7.50	13.50	11.00	9.20	7.50	16.00	14.00	23.00	17.20	30.00	21.00	n_1			
3525	1950	4050	1500	3600	1500	3225	1500	3225	1350	3225	I_{M230}			
	11.8										I_{M400}			
5.7	5.9	10.2	4.5	7.5	6.6	11.9	9.7	15.0	10.8	15.6	P_N			
2.80	2.80	4.70	1.45	2.80	2.50	4.70	3.60	5.80	4.20	7.10	J_M			
7.42	10.72	10.72	8.22	8.22	14.32	14.32	23.44	23.44	34.74	34.82	M_2			
2258											c	0.71	3031	323.365
1.3											$n_{2 \text{ Eck}}$			
11											$n_{2 \text{ th}}$			
11											M_2			
2548											c	0.71	3071	364.427
1.1											$n_{2 \text{ Eck}}$			
10											$n_{2 \text{ th}}$			
10											M_2			
2816											c	0.51	3031	402.234
1.0											$n_{2 \text{ Eck}}$			
9											$n_{2 \text{ th}}$			
9											M_2			
											c	0.51	3071	453.311
											$n_{2 \text{ Eck}}$			
											$n_{2 \text{ th}}$			
											M_2			
											c	0.47	3031	520.538
											$n_{2 \text{ Eck}}$			
											$n_{2 \text{ th}}$			
											M_2			
											c	0.47	3080	586.638
											$n_{2 \text{ Eck}}$			
											$n_{2 \text{ th}}$			
											M_2			
											c	0.44	3031	631.744
											$n_{2 \text{ Eck}}$			
											$n_{2 \text{ th}}$			
											M_2			
											c	0.44	3080	711.965
											$n_{2 \text{ Eck}}$			
											$n_{2 \text{ th}}$			
											M_2			
											c	0.28	3031	817.551
											$n_{2 \text{ Eck}}$			
											$n_{2 \text{ th}}$			
											M_2			
											c	0.28	3080	921.367
											$n_{2 \text{ Eck}}$			
											$n_{2 \text{ th}}$			
											M_2			
											c	0.20	3031	992.209
											$n_{2 \text{ Eck}}$			
											$n_{2 \text{ th}}$			
											M_2			
											c	0.20	3080	1118.204
											$n_{2 \text{ Eck}}$			
											$n_{2 \text{ th}}$			
											M_2			
											c	0.13	3031	1254.197
											$n_{2 \text{ Eck}}$			
											$n_{2 \text{ th}}$			

M ... [Nm]
n ... [r/min]
J ... [kgcm²]

P ... [kW]
I ... [A]
i [-]
c [-]



GKS [Nm]

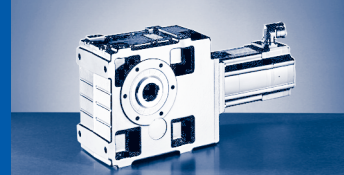
GKS□□-□S (MCS)

$M_{2GN} \leq 3080 \text{ Nm}$

GKS09-4S				06CC41	06FC41	06IC41	09DC41	09FC38	09HC41	09LC41	12DC20	12DC41	12HC15	12HC30
				...S00	...S00	...S00	...S00	...S00	...S00	...S00	...S00	...S00	...S00	...S00
i	M_{2GN}	J_G	M_1	0.60	1.20	1.50	2.30	3.10	3.80	4.50	5.50	4.30	10.00	8.00
			n_1	4050	4050	4050	4050	3750	4050	4050	1950	4050	1500	3000
			I_{M230}	2.6	2.9	3.2	4.6	5.0	6.8	8.4	5.2	8.8	7.6	10.5
			I_{M400}	1.3	1.5	1.6	2.3	2.5	3.4	4.2	2.6	4.5	3.8	
			P_N	0.25	0.51	0.64	1.00	1.20	1.60	1.90	1.10	1.80	1.60	2.50
			J_M	0.17	0.25	0.33	1.13	1.53	1.93	2.83	4.12	4.12	7.42	7.42
			M_2	770	1571	1971								
1413.461	3080	0.13	c	3.5	1.8	1.4								
			$n_{2 \text{ Eck}}$	3	3	3								
			$n_{2 \text{ th}}$	3	3	3								

M ... [Nm]
 n ... [r/min]
 J ... [kgcm²]

P ... [kW]
 I ... [A]
 i [-]
 c [-]

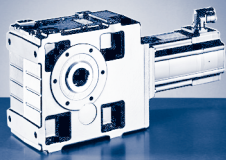


$M_{2GN} \leq 3080 \text{ Nm}$

12HC35	12LC20	12LC41	14DC15	14DC36	14HC15	14HC32	14LC15	14LC32	14PC14	14PC32	GKS09-4S			
...S00	...S00	...S00	...S00	...S00	...S00	...S00	...S00	...S00	...S00	...S00	M_1	J_G	M_{2GN}	i
7.50	13.50	11.00	9.20	7.50	16.00	14.00	23.00	17.20	30.00	21.00	n_1			
3525	1950	4050	1500	3600	1500	3225	1500	3225	1350	3225	I_{M230}			
	11.8										I_{M400}			
5.7	5.9	10.2	4.5	7.5	6.6	11.9	9.7	15.0	10.8	15.6	P_N			
2.80	2.80	4.70	1.45	2.80	2.50	4.70	3.60	5.80	4.20	7.10	J_M			
7.42	10.72	10.72	8.22	8.22	14.32	14.32	23.44	23.44	34.74	34.82	M_2			
											c	0.13	3080	1413.461
											$n_{2 \text{ Eck}}$			
											$n_{2 \text{ th}}$			

M ... [Nm]
n ... [r/min]
J ... [kgcm²]

P ... [kW]
I ... [A]
i [-]
c [-]



GKS [Nm]

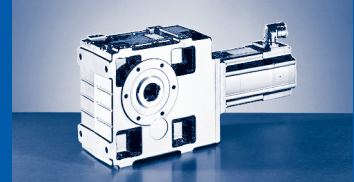
GKS□□-□S (MCS)

$M_{2GN} \leq 6032 \text{ Nm}$

GKS11-3S				14DC15	14DC36	14HC15	14HC32	14LC15	14LC32	14PC14
				...500	...500	...500	...500	...500	...500	...500
i	M_{2GN}	J_G	M_1							
			n_1	9.20	7.50	16.00	14.00	23.00	17.20	30.00
			I_{M400}	4.5	7.5	6.6	11.9	9.7	15.0	10.8
			P_N	1.45	2.80	2.50	4.70	3.60	5.80	4.20
			J_M	8.22	8.22	14.32	14.32	23.44	23.44	34.74
12.094	2592	104.00	M_2 c $n_{2 \text{ Eck}}$ $n_{2 \text{ th}}$							
13.154	2819	101.00	M_2 c $n_{2 \text{ Eck}}$ $n_{2 \text{ th}}$							
15.874	2868	68.00	M_2 c $n_{2 \text{ Eck}}$ $n_{2 \text{ th}}$							
17.265	3119	66.50	M_2 c $n_{2 \text{ Eck}}$ $n_{2 \text{ th}}$							
19.515	4182	90.30	M_2 c $n_{2 \text{ Eck}}$ $n_{2 \text{ th}}$							
21.989	4712	90.40	M_2 c $n_{2 \text{ Eck}}$ $n_{2 \text{ th}}$							
25.615	4628	61.20	M_2 c $n_{2 \text{ Eck}}$ $n_{2 \text{ th}}$							
28.021	4791	52.20	M_2 c $n_{2 \text{ Eck}}$ $n_{2 \text{ th}}$							
31.573	5398	51.30	M_2 c $n_{2 \text{ Eck}}$ $n_{2 \text{ th}}$							
35.741	3314	36.80	M_2 c $n_{2 \text{ Eck}}$ $n_{2 \text{ th}}$				453 5.4 90 65	754 4.2 42 42	563 4.4 90 63	994 3.3 38 38
35.741	5147	36.80	M_2 c $n_{2 \text{ Eck}}$ $n_{2 \text{ th}}$							
40.272	3734	36.20	M_2 c $n_{2 \text{ Eck}}$ $n_{2 \text{ th}}$				511 5.4 80 58	850 4.2 37 37	634 4.4 80 56	1120 3.3 34 34
40.272	5799	36.20	M_2 c $n_{2 \text{ Eck}}$ $n_{2 \text{ th}}$							

$M \dots$ [Nm]
 $n \dots$ [r/min]
 $J \dots$ [kgcm²]

$P \dots$ [kW]
 $I \dots$ [A]
 i [-]
 c [-]

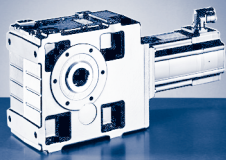


$M_{2GN} \leq 6032 \text{ Nm}$

14PC32	19FC14	19FC30	19JC14	19JC30	19PC14	19PC30	GKS11-3S			
...500	...500	...500	...500	...500	...500	...500	M_1	J_G	M_{2GN}	i
21.00	27.00	21.00	40.00	29.00	51.00	32.00	n_1			
3225	1425	3000	1425	3000	1350	3000	I_{M400}			
15.6	8.6	14.0	12.3	18.5	14.3	19.0	P_N			
7.10	4.00	6.60	6.00	9.10	7.20	10.00	J_M			
34.82	65.12	65.04	105.04	105.12	160.12	160.04	M_2			
			437		565	350	c			
			5.6		4.4	5.6	$n_{2 \text{ Eck}}$	104.00	2592	12.094
			118		112	248	$n_{2 \text{ th}}$			
			118		112	144				
			475		614	380	M_2			
			5.6		4.4	5.6	c	101.00	2819	13.154
			108		103	228	$n_{2 \text{ Eck}}$			
			108		103	132	$n_{2 \text{ th}}$			
			579	418	747	464	M_2			
			4.8	5.2	3.7	4.7	c	68.00	2868	15.874
			90	189	85	189	$n_{2 \text{ Eck}}$			
			90	125	85	123	$n_{2 \text{ th}}$			
			630	455	812	504	M_2			
			4.8	5.2	3.7	4.7	c	66.50	3119	17.265
			83	174	78	174	$n_{2 \text{ Eck}}$			
			83	115	78	113	$n_{2 \text{ th}}$			
			705		911	564	M_2			
			5.6		4.4	5.6	c	90.30	4182	19.515
			73		69	154	$n_{2 \text{ Eck}}$			
			73		69	89	$n_{2 \text{ th}}$			
			795		1027	636	M_2			
			5.6		4.4	5.6	c	90.40	4712	21.989
			65		61	136	$n_{2 \text{ Eck}}$			
			65		61	79	$n_{2 \text{ th}}$			
			935	674	1205	748	M_2			
			4.8	5.2	3.7	4.7	c	61.20	4628	25.615
			56	117	53	117	$n_{2 \text{ Eck}}$			
			56	78	53	76	$n_{2 \text{ th}}$			
			1025	740	1321	821	M_2			
			4.5	4.9	3.5	4.5	c	52.20	4791	28.021
			51	107	48	107	$n_{2 \text{ Eck}}$			
			51	72	48	71	$n_{2 \text{ th}}$			
			1155	834	1489	925	M_2			
			4.5	4.9	3.5	4.5	c	51.30	5398	31.573
			45	95	43	95	$n_{2 \text{ Eck}}$			
			45	64	43	63	$n_{2 \text{ th}}$			
693							M_2			
3.6							c	36.80	3314	35.741
90							$n_{2 \text{ Eck}}$			
60							$n_{2 \text{ th}}$			
	872	677	1318	952	1695	1055	M_2			
	5.6	5.7	3.8	4.2	3.0	3.8	c	36.80	5147	35.741
	40	84	40	84	38	84	$n_{2 \text{ Eck}}$			
	40	62	40	62	38	61	$n_{2 \text{ th}}$			
781							M_2			
3.6							c	36.20	3734	40.272
80							$n_{2 \text{ Eck}}$			
53							$n_{2 \text{ th}}$			
	983	763	1485	1073	1910	1189	M_2			
	5.6	5.7	3.8	4.2	3.0	3.8	c	36.20	5799	40.272
	35	75	35	75	34	75	$n_{2 \text{ Eck}}$			
	35	55	35	55	34	54	$n_{2 \text{ th}}$			

M ... [Nm]
n ... [r/min]
J ... [kgcm²]

P ... [kW]
I ... [A]
i [-]
c [-]



GKS [Nm]

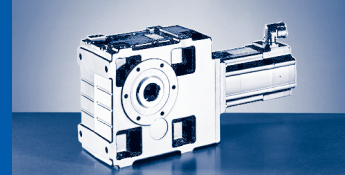
GKS□□-□S (MCS)

$M_{2GN} \leq 6032 \text{ Nm}$

GKS11-3S				14DC15	14DC36	14HC15	14HC32	14LC15	14LC32	14PC14
				...500	...500	...500	...500	...500	...500	...500
i	M_{2GN}	J_G	M_1	9.20	7.50	16.00	14.00	23.00	17.20	30.00
			n_1	1500	3600	1500	3225	1500	3225	1350
			I_{M400}	4.5	7.5	6.6	11.9	9.7	15.0	10.8
			P_N	1.45	2.80	2.50	4.70	3.60	5.80	4.20
			J_M	8.22	8.22	14.32	14.32	23.44	23.44	34.74
43.783	5419	27.90	M_2							
			c							
			$n_{2 \text{ Eck}}$							
			$n_{2 \text{ th}}$							
49.333	5923	27.50	M_2							
			c							
			$n_{2 \text{ Eck}}$							
			$n_{2 \text{ th}}$							
57.683	3683	17.70	M_2			847	741	1235	918	1622
			c			4.2	4.2	2.9	3.4	2.2
			$n_{2 \text{ Eck}}$			26	56	26	56	23
			$n_{2 \text{ th}}$			26	52	26	50	23
57.683	5726	17.70	M_2							
			c							
			$n_{2 \text{ Eck}}$							
			$n_{2 \text{ th}}$							
64.995	4149	17.50	M_2			954	835	1391	1035	1828
			c			4.2	4.2	2.9	3.4	2.2
			$n_{2 \text{ Eck}}$			23	50	23	50	21
			$n_{2 \text{ th}}$			23	46	23	44	21
64.995	5992	17.50	M_2							
			c							
			$n_{2 \text{ Eck}}$							
			$n_{2 \text{ th}}$							
70.887	3776	13.00	M_2			1049	918	1525	1135	2002
			c			3.5	3.5	2.4	2.9	1.9
			$n_{2 \text{ Eck}}$			21	46	21	46	19
			$n_{2 \text{ th}}$			21	45	21	45	19
70.887	5867	13.00	M_2							
			c							
			$n_{2 \text{ Eck}}$							
			$n_{2 \text{ th}}$							
79.873	4255	12.90	M_2			1182	1034	1719	1279	2255
			c			3.5	3.5	2.4	2.9	1.9
			$n_{2 \text{ Eck}}$			19	40	19	40	17
			$n_{2 \text{ th}}$			19	40	19	40	17
79.873	6032	12.90	M_2							
			c							
			$n_{2 \text{ Eck}}$							
			$n_{2 \text{ th}}$							
91.737	3915	8.30	M_2	769	625	1368	1196	1984	1478	2600
			c	4.9	5.1	2.8	2.8	2.0	2.3	1.5
			$n_{2 \text{ Eck}}$	16	39	16	35	16	35	15
			$n_{2 \text{ th}}$	16	39	16	35	16	35	15
103.365	4411	8.21	M_2	866	705	1541	1348	2236	1666	2930
			c	4.9	5.1	2.8	2.8	2.0	2.3	1.5
			$n_{2 \text{ Eck}}$	15	35	15	31	15	31	13
			$n_{2 \text{ th}}$	15	35	15	31	15	31	13
111.335	3963	6.05	M_2	941	762	1668	1455	2416	1797	3164
			c	4.1	4.7	2.3	2.6	1.6	2.1	1.3
			$n_{2 \text{ Eck}}$	14	32	14	29	14	29	12
			$n_{2 \text{ th}}$	13	32	13	29	13	29	12

$M \dots$ [Nm]
 $n \dots$ [r/min]
 $J \dots$ [kgcm²]

$P \dots$ [kW]
 $I \dots$ [A]
 i [-]
 c [-]

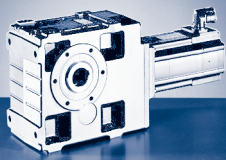


$M_{2GN} \leq 6032 \text{ Nm}$

14PC32	19FC14	19FC30	19JC14	19JC30	19PC14	19PC30	GKS11-3S			
...500	...500	...500	...500	...500	...500	...500	M_1	J_G	M_{2GN}	i
21.00	27.00	21.00	40.00	29.00	51.00	32.00	n_1			
3225	1425	3000	1425	3000	1350	3000	I_{M400}			
15.6	8.6	14.0	12.3	18.5	14.3	19.0	P_N			
7.10	4.00	6.60	6.00	9.10	7.20	10.00	J_M			
34.82	65.12	65.04	105.04	105.12	160.12	160.04	M_2			
	1078	831	1624	1167	2086	1293	c	27.90	5419	43.783
	4.8	5.6	3.3	4.1	2.6	3.7	$n_{2 \text{ Eck}}$			
	33	69	33	69	31	69	$n_{2 \text{ th}}$			
	33	50	33	50	31	50				
	1216	938	1832	1317	2353	1459	M_2	27.50	5923	49.333
	4.7	5.4	3.2	3.9	2.5	3.6	c			
	29	61	29	61	27	61	$n_{2 \text{ Eck}}$			
	29	45	29	45	27	45	$n_{2 \text{ th}}$			
1129							M_2	17.70	3683	57.683
2.8							c			
56							$n_{2 \text{ Eck}}$			
48							$n_{2 \text{ th}}$			
	1435	1108	2154	1551	2763	1717	M_2	17.70	5726	57.683
	3.9	4.5	2.6	3.3	2.1	3.0	c			
	25	52	25	52	23	52	$n_{2 \text{ Eck}}$			
	25	38	25	38	23	38	$n_{2 \text{ th}}$			
1272							M_2	17.50	4149	64.995
2.8							c			
50							$n_{2 \text{ Eck}}$			
42							$n_{2 \text{ th}}$			
	1621	1253	2432	1752	3119	1939	M_2	17.50	5992	64.995
	3.6	4.2	2.4	3.0	1.9	2.7	c			
	22	46	22	46	21	46	$n_{2 \text{ Eck}}$			
	22	34	22	34	21	34	$n_{2 \text{ th}}$			
1394							M_2	13.00	3776	70.887
2.4							c			
46							$n_{2 \text{ Eck}}$			
44							$n_{2 \text{ th}}$			
	1775	1373	2660	1918	3408	2122	M_2	13.00	5867	70.887
	3.2	3.7	2.2	2.7	1.7	2.5	c			
	20	42	20	42	19	42	$n_{2 \text{ Eck}}$			
	20	31	20	31	19	31	$n_{2 \text{ th}}$			
1571							M_2	12.90	4255	79.873
2.4							c			
40							$n_{2 \text{ Eck}}$			
39							$n_{2 \text{ th}}$			
	2007	1553	3003	2166	3847	2396	M_2	12.90	6032	79.873
	3.0	3.4	2.0	2.5	1.6	2.2	c			
	18	38	18	38	17	38	$n_{2 \text{ Eck}}$			
	18	28	18	28	17	28	$n_{2 \text{ th}}$			
1813							M_2	8.30	3915	91.737
1.9							c			
35							$n_{2 \text{ Eck}}$			
35							$n_{2 \text{ th}}$			
2043							M_2	8.21	4411	103.365
1.9							c			
31							$n_{2 \text{ Eck}}$			
31							$n_{2 \text{ th}}$			
2203							M_2	6.05	3963	111.335
1.7							c			
29							$n_{2 \text{ Eck}}$			
29							$n_{2 \text{ th}}$			

M ... [Nm]
n ... [r/min]
J ... [kgcm²]

P ... [kW]
I ... [A]
i [-]
c [-]



GKS [Nm]

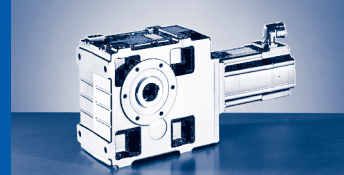
GKS□□-□S (MCS)

$M_{2GN} \leq 6032 \text{ Nm}$

GKS11-3S				14DC15	14DC36	14HC15	14HC32	14LC15	14LC32	14PC14
				...500	...500	...500	...500	...500	...500	...500
i	M_{2GN}	J_G	M_1	9.20	7.50	16.00	14.00	23.00	17.20	30.00
			n_1	1500	3600	1500	3225	1500	3225	1350
			I_{M400}	4.5	7.5	6.6	11.9	9.7	15.0	10.8
			P_N	1.45	2.80	2.50	4.70	3.60	5.80	4.20
			J_M	8.22	8.22	14.32	14.32	23.44	23.44	34.74
125.448	4465	5.99	M_2	1061	859	1880	1640	2722	2025	3565
			c	4.1	4.7	2.3	2.6	1.6	2.1	1.3
			$n_{2 \text{ Eck}}$	12	29	12	26	12	26	11
			$n_{2 \text{ th}}$	12	29	12	26	12	26	11
140.732	4010	3.96	M_2	1201	973	2119	1850	3065	2282	4010
			c	3.3	3.8	1.9	2.1	1.3	1.7	1.0
			$n_{2 \text{ Eck}}$	11	26	11	23	11	23	10
			$n_{2 \text{ th}}$	11	26	11	23	11	23	10
158.571	4519	3.93	M_2	1353	1097	2388	2084	3453	2572	4519
			c	3.3	3.8	1.9	2.1	1.3	1.7	1.0
			$n_{2 \text{ Eck}}$	10	23	10	20	10	20	9
			$n_{2 \text{ th}}$	9	23	9	20	9	20	9
186.572	5975	7.07	M_2	1585	1284	2802	2446	4056	3019	5310
			c	3.7	4.2	2.1	2.4	1.5	1.9	1.1
			$n_{2 \text{ Eck}}$	8	19	8	17	8	17	7
			$n_{2 \text{ th}}$	8	19	8	17	8	17	7
210.222	5892	7.05	M_2	1794	1455	3167	2764	4579	3410	
			c	3.2	3.7	1.8	2.1	1.3	1.7	
			$n_{2 \text{ Eck}}$	7	17	7	15	7	15	
			$n_{2 \text{ th}}$	7	17	7	15	7	15	
226.431	5975	5.21	M_2	1937	1571	3415	2981	4936	3677	
			c	3.0	3.5	1.7	1.9	1.2	1.6	
			$n_{2 \text{ Eck}}$	7	16	7	14	7	14	
			$n_{2 \text{ th}}$	7	16	7	14	7	14	
255.133	5892	5.20	M_2	2191	1778	3856	3368	5571	4152	
			c	2.6	3.1	1.5	1.7	1.1	1.4	
			$n_{2 \text{ Eck}}$	6	14	6	13	6	13	
			$n_{2 \text{ th}}$	6	14	6	13	6	13	
286.219	5975	3.44	M_2	2465	2001	4333	3785		4664	
			c	2.4	2.8	1.4	1.5		1.3	
			$n_{2 \text{ Eck}}$	5	13	5	11		11	
			$n_{2 \text{ th}}$	5	13	5	11		11	
322.500	5892	3.43	M_2	2786	2263	4891	4273		5264	
			c	2.1	2.4	1.2	1.3		1.1	
			$n_{2 \text{ Eck}}$	5	11	5	10		10	
			$n_{2 \text{ th}}$	5	11	5	10		10	

$M \dots$ [Nm]
 $n \dots$ [r/min]
 $J \dots$ [kgcm²]

$P \dots$ [kW]
 $I \dots$ [A]
 i [-]
 c [-]

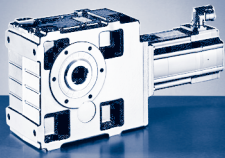


$M_{2GN} \leq 6032 \text{ Nm}$

14PC32	19FC14	19FC30	19JC14	19JC30	19PC14	19PC30	GKS11-3S			
...500	...500	...500	...500	...500	...500	...500	M_1	J_G	M_{2GN}	i
21.00	27.00	21.00	40.00	29.00	51.00	32.00	n_1			
3225	1425	3000	1425	3000	1350	3000	I_{M400}			
15.6	8.6	14.0	12.3	18.5	14.3	19.0	P_N			
7.10	4.00	6.60	6.00	9.10	7.20	10.00	J_M			
34.82	65.12	65.04	105.04	105.12	160.12	160.04	M_2			
2483							c			
1.7							$n_{2 \text{ Eck}}$	5.99	4465	125.448
26							$n_{2 \text{ th}}$			
26							M_2			
2796							c			
1.4							$n_{2 \text{ Eck}}$	3.96	4010	140.732
23							$n_{2 \text{ th}}$			
23							M_2			
3150							c			
1.4							$n_{2 \text{ Eck}}$	3.93	4519	158.571
20							$n_{2 \text{ th}}$			
20							M_2			
3699							c			
1.6							$n_{2 \text{ Eck}}$	7.07	5975	186.572
17							$n_{2 \text{ th}}$			
17							M_2			
4177							c			
1.4							$n_{2 \text{ Eck}}$	7.05	5892	210.222
15							$n_{2 \text{ th}}$			
15							M_2			
4503							c			
1.3							$n_{2 \text{ Eck}}$	5.21	5975	226.431
14							$n_{2 \text{ th}}$			
14							M_2			
5082							c			
1.1							$n_{2 \text{ Eck}}$	5.20	5892	255.133
13							$n_{2 \text{ th}}$			
13							M_2			
5708							c			
1.0							$n_{2 \text{ Eck}}$	3.44	5975	286.219
11							$n_{2 \text{ th}}$			
11							M_2			
							c			
							$n_{2 \text{ Eck}}$	3.43	5892	322.500
							$n_{2 \text{ th}}$			

M ... [Nm]
n ... [r/min]
J ... [kgcm²]

P ... [kW]
I ... [A]
i [-]
c [-]



GKS [Nm]

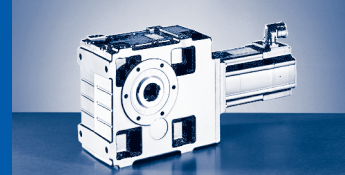
GKS□□-□S (MCS)

$M_{2GN} \leq 6072 \text{ Nm}$

GKS11-4S				09DC41	09FC38	09HC41	09LC41	12DC20	12DC41	12HC15	12HC30	12HC35
				...500	...500	...500	...500	...500	...500	...500	...500	...500
i	M_{2GN}	J_G	M_1	2.30	3.10	3.80	4.50	5.50	4.30	10.00	8.00	7.50
			n_1	4050	3750	4050	4050	1950	4050	1500	3000	3525
			I_{M230}	4.6	5.0	6.8	8.4	5.2	8.8	7.6	10.5	
			I_{M400}	2.3	2.5	3.4	4.2	2.6	4.5	3.8		5.7
			P_N	1.00	1.20	1.60	1.90	1.10	1.80	1.60	2.50	2.80
			J_M	1.13	1.53	1.93	2.83	4.12	4.12	7.42	7.42	7.42
102.119	2972	7.28	M_2 c $n_{2 \text{ Eck}}$ $n_{2 \text{ th}}$				408 5.7 40 40					
102.119	3825	7.28	M_2 c $n_{2 \text{ Eck}}$ $n_{2 \text{ th}}$						923 4.0 15 15	734 4.5 29 29	688 4.6 35 35	
102.119	5292	7.28	M_2 c $n_{2 \text{ Eck}}$ $n_{2 \text{ th}}$									
115.063	4309	7.21	M_2 c $n_{2 \text{ Eck}}$ $n_{2 \text{ th}}$						1040 4.0 13 13	823 5.0 26 26	771 5.1 31 31	
115.063	5869	7.21	M_2 c $n_{2 \text{ Eck}}$ $n_{2 \text{ th}}$									
125.095	4685	6.23	M_2 c $n_{2 \text{ Eck}}$ $n_{2 \text{ th}}$						1130 4.0 12 12	894 5.0 24 24	838 5.1 28 28	
125.095	5800	6.23	M_2 c $n_{2 \text{ Eck}}$ $n_{2 \text{ th}}$									
140.952	5279	6.19	M_2 c $n_{2 \text{ Eck}}$ $n_{2 \text{ th}}$						1274 4.0 11 11	1008 5.0 21 21	944 5.1 25 25	
140.952	5923	6.19	M_2 c $n_{2 \text{ Eck}}$ $n_{2 \text{ th}}$									
153.242	4931	4.50	M_2 c $n_{2 \text{ Eck}}$ $n_{2 \text{ th}}$						1393 3.5 10 10	1104 4.3 20 20	1035 4.4 23 23	
153.242	5800	4.50	M_2 c $n_{2 \text{ Eck}}$ $n_{2 \text{ th}}$									
172.667	5556	4.47	M_2 c $n_{2 \text{ Eck}}$ $n_{2 \text{ th}}$						1570 3.5 9 9	1244 4.3 17 17	1166 4.4 20 20	
172.667	5923	4.47	M_2 c $n_{2 \text{ Eck}}$ $n_{2 \text{ th}}$									

$M \dots$ [Nm]
 $n \dots$ [r/min]
 $J \dots$ [kgcm²]

$P \dots$ [kW]
 $I \dots$ [A]
 $i \dots$ [-]
 $c \dots$ [-]

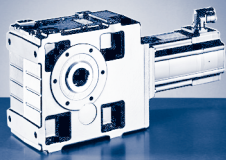


$M_{2GN} \leq 6072 \text{ Nm}$

12LC20	12LC41	14DC15	14DC36	14HC15	14HC32	14LC15	14LC32	14PC14	14PC32	GKS11-4S			
...500	...500	...500	...500	...500	...500	...500	...500	...500	...500	M_1	J_G	M_{2GN}	i
13.50	11.00	9.20	7.50	16.00	14.00	23.00	17.20	30.00	21.00	n_1			
1950	4050	1500	3600	1500	3225	1500	3225	1350	3225	i_{M230}			
11.8										i_{M400}			
5.9	10.2	4.5	7.5	6.6	11.9	9.7	15.0	10.8	15.6	P_N			
2.80	4.70	1.45	2.80	2.50	4.70	3.60	5.80	4.20	7.10	J_M			
10.72	10.72	8.22	8.22	14.32	14.32	23.44	23.44	34.74	34.82	M_2			
										c	7.28	2972	102.119
										n_2 Eck			
										n_2 th			
1260	1027									M_2	7.28	3825	102.119
3.0	3.0									c			
19	40									n_2 Eck			
19	40									n_2 th			
				1485	1299	2160	1608	2834	1974	M_2	7.28	5292	102.119
				3.5	3.5	2.4	2.8	1.9	2.3	c			
				15	32	15	32	13	32	n_2 Eck			
				15	32	15	32	13	32	n_2 th			
1420	1153									M_2	7.21	4309	115.063
3.0	3.3									c			
17	35									n_2 Eck			
17	35									n_2 th			
		936		1675	1459	2435	1806	3195	2219	M_2	7.21	5869	115.063
		5.9		3.4	3.8	2.4	3.1	1.8	2.5	c			
		13		13	28	13	28	12	28	n_2 Eck			
		13		13	28	13	28	12	28	n_2 th			
1544	1253									M_2	6.23	4685	125.095
3.0	3.3									c			
16	32									n_2 Eck			
16	32									n_2 th			
		1024		1827	1592	2653	1970	3480	2418	M_2	6.23	5800	125.095
		5.4		3.1	3.5	2.2	2.8	1.7	2.3	c			
		12		12	26	12	26	11	26	n_2 Eck			
		12		12	26	12	26	11	26	n_2 th			
1739	1412									M_2	6.19	5279	140.952
3.0	3.3									c			
14	29									n_2 Eck			
14	29									n_2 th			
		1160	938	2065	1800	2996	2226	3927	2731	M_2	6.19	5923	140.952
		4.9	5.7	2.8	3.1	2.0	2.6	1.5	2.1	c			
		11	26	11	23	11	23	10	23	n_2 Eck			
		11	25	11	23	11	23	10	23	n_2 th			
1900	1543									M_2	4.50	4931	153.242
2.6	2.8									c			
13	26									n_2 Eck			
13	26									n_2 th			
		1268	1026	2252	1964	3264	2427	4276	2976	M_2	4.50	5800	153.242
		4.4	5.1	2.5	2.8	1.8	2.3	1.4	1.9	c			
		10	24	10	21	10	21	9	21	n_2 Eck			
		10	23	10	21	10	21	9	21	n_2 th			
2140	1739									M_2	4.47	5556	172.667
2.6	2.8									c			
11	24									n_2 Eck			
11	23									n_2 th			
		1436	1162	2544	2219	3684	2741	4825	3360	M_2	4.47	5923	172.667
		4.0	4.6	2.3	2.6	1.6	2.1	1.2	1.7	c			
		9	21	9	19	9	19	8	19	n_2 Eck			
		9	21	9	19	9	19	8	19	n_2 th			

M ... [Nm]
n ... [r/min]
J ... [kgcm²]

P ... [kW]
I ... [A]
i [-]
c [-]



GKS [Nm]

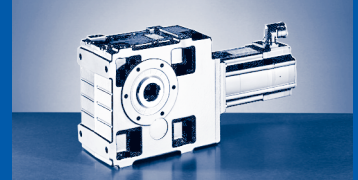
GKS□□-□S (MCS)

$M_{2GN} \leq 6072 \text{ Nm}$

GKS11-4S				09DC41	09FC38	09HC41	09LC41	12DC20	12DC41	12HC15	12HC30	12HC35
				...500	...500	...500	...500	...500	...500	...500	...500	...500
i	M_{2GN}	J_G	M_1	2.30	3.10	3.80	4.50	5.50	4.30	10.00	8.00	7.50
			n_1	4050	3750	4050	4050	1950	4050	1500	3000	3525
			I_{M230}	4.6	5.0	6.8	8.4	5.2	8.8	7.6	10.5	
			I_{M400}	2.3	2.5	3.4	4.2	2.6	4.5	3.8		5.7
			P_N	1.00	1.20	1.60	1.90	1.10	1.80	1.60	2.50	2.80
			J_M	1.13	1.53	1.93	2.83	4.12	4.12	7.42	7.42	7.42
201.890	5972	3.74	M_2					984		1841	1460	1368
			c					5.8		3.2	4.0	4.0
			$n_{2 \text{ Eck}}$					10		7	15	18
			$n_{2 \text{ th}}$					10		7	15	17
227.481	5992	3.72	M_2					1117	865	2083	1653	1549
			c					5.1	5.9	2.8	3.5	3.6
			$n_{2 \text{ Eck}}$					9	18	7	13	16
			$n_{2 \text{ th}}$					9	18	7	13	16
248.106	5973	3.36	M_2					1224	949	2277	1809	1695
			c					4.7	5.4	2.6	3.2	3.3
			$n_{2 \text{ Eck}}$					8	16	6	12	14
			$n_{2 \text{ th}}$					8	16	6	12	14
279.556	6032	3.34	M_2					1386	1076	2574	2046	1917
			c					4.2	4.9	2.3	2.9	2.9
			$n_{2 \text{ Eck}}$					7	15	5	11	13
			$n_{2 \text{ th}}$					7	14	5	11	13
322.931	5973	2.09	M_2		885	1100	1314	1612	1253	2984	2374	2225
			c		5.9	4.7	4.0	3.6	4.2	2.0	2.5	2.5
			$n_{2 \text{ Eck}}$		12	13	13	6	13	5	9	11
			$n_{2 \text{ th}}$		12	13	13	6	13	5	9	11
363.866	6032	2.08	M_2		1005	1246	1487	1824	1418	3369	2682	2514
			c		5.3	4.2	3.6	3.2	3.7	1.8	2.2	2.2
			$n_{2 \text{ Eck}}$		10	11	11	5	11	4	8	10
			$n_{2 \text{ th}}$		10	11	11	5	11	4	8	10
395.787	5973	1.52	M_2		1098	1361	1623	1990	1548	3671	2924	2741
			c		4.8	3.9	3.3	2.9	3.4	1.6	2.0	2.0
			$n_{2 \text{ Eck}}$		10	10	10	5	10	4	8	9
			$n_{2 \text{ th}}$		9	10	10	5	10	4	8	9
445.958	6032	1.52	M_2	910	1245	1541	1835	2250	1751	4144	3302	3095
			c	5.7	4.3	3.5	2.9	2.6	3.1	1.5	1.8	1.8
			$n_{2 \text{ Eck}}$	9	8	9	9	4	9	3	7	8
			$n_{2 \text{ th}}$	9	8	9	9	4	9	3	7	8
512.196	5975	1.39	M_2	1054	1439	1779	2117	2595	2021	4770	3803	3565
			c	4.9	3.7	3.0	2.5	2.3	2.6	1.3	1.6	1.6
			$n_{2 \text{ Eck}}$	8	7	8	8	4	8	3	6	7
			$n_{2 \text{ th}}$	8	7	8	8	4	8	3	6	7
577.122	6072	1.38	M_2	1194	1628	2011	2392	2930	2283	5381	4292	4023
			c	4.4	3.4	2.7	2.3	2.1	2.4	1.1	1.4	1.4
			$n_{2 \text{ Eck}}$	7	7	7	7	3	7	3	5	6
			$n_{2 \text{ th}}$	7	7	7	7	3	7	3	5	6
621.619	5975	1.31	M_2	1291	1759	2171	2582	3162	2465	5802	4629	4339
			c	4.1	3.1	2.5	2.1	1.9	2.2	1.0	1.3	1.3
			$n_{2 \text{ Eck}}$	7	6	7	7	3	7	2	5	6
			$n_{2 \text{ th}}$	7	6	7	7	3	7	2	5	6
700.416	6072	1.31	M_2	1461	1989	2453	2916	3570	2783		5223	4896
			c	3.7	2.8	2.2	1.9	1.7	2.0		1.2	1.2
			$n_{2 \text{ Eck}}$	6	5	6	6	3	6		4	5
			$n_{2 \text{ th}}$	6	5	6	6	3	6		4	5
816.455	5975	0.82	M_2	1714	2329	2870	3409	4174	3255			
			c	3.1	2.4	1.9	1.6	1.4	1.7			
			$n_{2 \text{ Eck}}$	5	5	5	5	2	5			
			$n_{2 \text{ th}}$	5	5	5	5	2	5			

$M \dots$ [Nm]
 $n \dots$ [r/min]
 $J \dots$ [kgcm²]

$P \dots$ [kW]
 $I \dots$ [A]
 $i \dots$ [-]
 $c \dots$ [-]

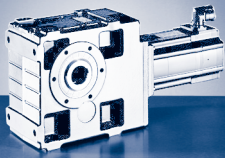


$M_{2GN} \leq 6072 \text{ Nm}$

12LC20	12LC41	14DC15	14DC36	14HC15	14HC32	14LC15	14LC32	14PC14	14PC32	GKS11-4S			
...500	...500	...500	...500	...500	...500	...500	...500	...500	...500	M_1	J_G	M_{2GN}	i
13.50	11.00	9.20	7.50	16.00	14.00	23.00	17.20	30.00	21.00	n_1			
1950	4050	1500	3600	1500	3225	1500	3225	1350	3225	I_{M230}			
11.8										I_{M400}			
5.9	10.2	4.5	7.5	6.6	11.9	9.7	15.0	10.8	15.6	P_N			
2.80	4.70	1.45	2.80	2.50	4.70	3.60	5.80	4.20	7.10	J_M			
10.72	10.72	8.22	8.22	14.32	14.32	23.44	23.44	34.74	34.82	M_2			
2508	2038	1689	1369	2984	2605	4318	3215	5652	3939	c	3.74	5972	201.890
2.4	2.6	3.4	4.0	2.0	2.2	1.4	1.8	1.1	1.5	$n_{2 \text{ Eck}}$			
10	20	7	18	7	16	7	16	7	16	$n_{2 \text{ th}}$			
10	20	7	18	7	16	7	16	7	16				
2834	2303	1911	1550	3371	2943	4873	3630		4446	M_2			
2.1	2.3	3.1	3.5	1.8	2.0	1.2	1.6		1.3	c	3.72	5992	227.481
9	18	7	16	7	14	7	14		14	$n_{2 \text{ Eck}}$			
9	18	7	16	7	14	7	14		14	$n_{2 \text{ th}}$			
3097	2518	2090	1696	3682	3216	5321	3965		4855	M_2			
1.9	2.1	2.8	3.2	1.6	1.8	1.1	1.5		1.2	c	3.36	5973	248.106
8	16	6	15	6	13	6	13		13	$n_{2 \text{ Eck}}$			
8	16	6	14	6	13	6	13		13	$n_{2 \text{ th}}$			
3497	2844	2363	1918	4157	3630	6003	4475		5477	M_2			
1.7	1.9	2.5	2.9	1.4	1.6	1.0	1.3		1.1	c	3.34	6032	279.556
7	15	5	13	5	12	5	12		12	$n_{2 \text{ Eck}}$			
7	14	5	13	5	12	5	12		12	$n_{2 \text{ th}}$			
4050	3294	2740	2225	4812	4204		5179			M_2			
1.5	1.6	2.2	2.5	1.2	1.4		1.1			c	2.09	5973	322.931
6	13	5	11	5	10		10			$n_{2 \text{ Eck}}$			
6	13	5	11	5	10		10			$n_{2 \text{ th}}$			
4571	3719	3095	2515	5430	4744		5843			M_2			
1.3	1.5	1.9	2.2	1.1	1.2		1.0			c	2.08	6032	363.866
5	11	4	10	4	9		9			$n_{2 \text{ Eck}}$			
5	11	4	10	4	9		9			$n_{2 \text{ th}}$			
4978	4051	3372	2741	5912	5167					M_2			
1.2	1.3	1.8	2.0	1.0	1.1					c	1.52	5973	395.787
5	10	4	9	4	8					$n_{2 \text{ Eck}}$			
5	10	4	9	4	8					$n_{2 \text{ th}}$			
5617	4571	3807	3096		5829					M_2			
1.1	1.2	1.6	1.8		1.0					c	1.52	6032	445.958
4	9	3	8		7					$n_{2 \text{ Eck}}$			
4	9	3	8		7					$n_{2 \text{ th}}$			
	5259	4383	3565							M_2			
	1.0	1.4	1.6							c	1.39	5975	512.196
	8	3	7							$n_{2 \text{ Eck}}$			
	8	3	7							$n_{2 \text{ th}}$			
		4946	4024							M_2			
		1.2	1.4							c	1.38	6072	577.122
		3	6							$n_{2 \text{ Eck}}$			
		3	6							$n_{2 \text{ th}}$			
		5333	4340							M_2			
		1.1	1.3							c	1.31	5975	621.619
		2	6							$n_{2 \text{ Eck}}$			
		2	6							$n_{2 \text{ th}}$			
		6016	4896							M_2			
		1.0	1.2							c	1.31	6072	700.416
		2	5							$n_{2 \text{ Eck}}$			
		2	5							$n_{2 \text{ th}}$			
										M_2			
										c	0.82	5975	816.455
										$n_{2 \text{ Eck}}$			
										$n_{2 \text{ th}}$			

M ... [Nm]
n ... [r/min]
J ... [kgcm²]

P ... [kW]
I ... [A]
i [-]
c [-]



GKS [Nm]

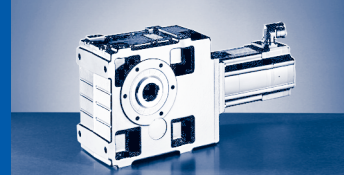
GKS□□-□S (MCS)

$M_{2GN} \leq 6072 \text{ Nm}$

GKS11-4S				09DC41	09FC38	09HC41	09LC41	12DC20	12DC41	12HC15	12HC30	12HC35
				...500	...500	...500	...500	...500	...500	...500	...500	...500
i	M_{2GN}	J_G	M_1	2.30	3.10	3.80	4.50	5.50	4.30	10.00	8.00	7.50
			n_1	4050	3750	4050	4050	1950	4050	1500	3000	3525
			I_{M230}	4.6	5.0	6.8	8.4	5.2	8.8	7.6	10.5	
			I_{M400}	2.3	2.5	3.4	4.2	2.6	4.5	3.8		5.7
			P_N	1.00	1.20	1.60	1.90	1.10	1.80	1.60	2.50	2.80
			J_M	1.13	1.53	1.93	2.83	4.12	4.12	7.42	7.42	7.42
919.949	6072	0.82	M_2	1938	2631	3240	3848	4710	3674			
			c	2.8	2.1	1.7	1.4	1.3	1.5			
			$n_{2 \text{ Eck}}$	4	4	4	4	2	4			
			$n_{2 \text{ th}}$	4	4	4	4	2	4			
			M_2	2093	2839	3496	4150	5079	3963			
990.879	5975	0.60	c	2.5	1.9	1.5	1.3	1.2	1.4			
			$n_{2 \text{ Eck}}$	4	4	4	4	2	4			
			$n_{2 \text{ th}}$	4	4	4	4	2	4			
			M_2	2365	3206	3945	4683	5730	4472			
			c	2.3	1.7	1.4	1.2	1.1	1.2			
1116.484	6072	0.60	$n_{2 \text{ Eck}}$	4	3	4	4	2	4			
			$n_{2 \text{ th}}$	4	3	4	4	2	4			
			M_2	2661	3605	4434	5261					
			c	2.0	1.5	1.2	1.0					
			$n_{2 \text{ Eck}}$	3	3	3	3					
1252.516	5975	0.39	$n_{2 \text{ th}}$	3	3	3	3					
			M_2	3004	4068	5002						
			c	1.8	1.4	1.1						
			$n_{2 \text{ Eck}}$	3	3	3						
			$n_{2 \text{ th}}$	3	3	3						
1411.286	6072	0.39	M_2	3004	4068	5002						
			c	1.8	1.4	1.1						
			$n_{2 \text{ Eck}}$	3	3	3						
			$n_{2 \text{ th}}$	3	3	3						

M ... [Nm]
n ... [r/min]
J ... [kgcm²]

P ... [kW]
I ... [A]
i [-]
c [-]

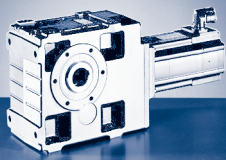


$M_{2GN} \leq 6072 \text{ Nm}$

12LC20	12LC41	14DC15	14DC36	14HC15	14HC32	14LC15	14LC32	14PC14	14PC32	GKS11-4S			
...500	...500	...500	...500	...500	...500	...500	...500	...500	...500	M_1	J_G	M_{2GN}	i
13.50	11.00	9.20	7.50	16.00	14.00	23.00	17.20	30.00	21.00	n_1			
1950	4050	1500	3600	1500	3225	1500	3225	1350	3225	i_{M230}			
11.8										i_{M400}			
5.9	10.2	4.5	7.5	6.6	11.9	9.7	15.0	10.8	15.6	P_N			
2.80	4.70	1.45	2.80	2.50	4.70	3.60	5.80	4.20	7.10	J_M			
10.72	10.72	8.22	8.22	14.32	14.32	23.44	23.44	34.74	34.82	M_2			
										c	0.82	6072	919.949
										$n_{2 \text{ Eck}}$			
										$n_{2 \text{ th}}$			
										M_2	0.60	5975	990.879
										c			
										$n_{2 \text{ Eck}}$			
										$n_{2 \text{ th}}$			
										M_2	0.60	6072	1116.484
										c			
										$n_{2 \text{ Eck}}$			
										$n_{2 \text{ th}}$			
										M_2	0.39	5975	1252.516
										c			
										$n_{2 \text{ Eck}}$			
										$n_{2 \text{ th}}$			
										M_2	0.39	6072	1411.286
										c			
										$n_{2 \text{ Eck}}$			
										$n_{2 \text{ th}}$			

M ... [Nm]
n ... [r/min]
J ... [kgcm²]

P ... [kW]
I ... [A]
i [-]
c [-]



GKS [Nm]

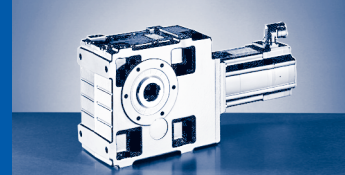
GKS□□-□S (MCS)

$M_{2GN} \leq 11609 \text{ Nm}$

GKS14-3S				19FC14	19FC30	19JC14	19JC30	19PC14	19PC30
				...500	...500	...500	...500	...500	...500
i	M_{2GN}	J_G	M_1						
			n_1	1425	3000	1425	3000	1350	3000
			I_{M400}	8.6	14.0	12.3	18.5	14.3	19.0
			P_N	4.00	6.60	6.00	9.10	7.20	10.00
			J_M	65.12	65.04	105.04	105.12	160.12	160.04
16.646	3765	198.00	M_2			599		775	480
			c			6.0		4.7	5.9
			$n_{2 \text{ Eck}}$			86		81	180
			$n_{2 \text{ th}}$			86		81	103
18.311	3889	173.00	M_2			662		855	530
			c			5.6		4.4	5.6
			$n_{2 \text{ Eck}}$			78		74	164
			$n_{2 \text{ th}}$			78		74	95
24.696	5585	183.00	M_2			889		1150	712
			c			6.0		4.7	5.9
			$n_{2 \text{ Eck}}$			58		55	122
			$n_{2 \text{ th}}$			58		55	69
27.165	5770	159.00	M_2			982		1269	786
			c			5.6		4.4	5.6
			$n_{2 \text{ Eck}}$			53		50	110
			$n_{2 \text{ th}}$			52		50	64
30.609	6501	156.00	M_2			1107		1430	886
			c			5.6		4.4	5.6
			$n_{2 \text{ Eck}}$			47		44	98
			$n_{2 \text{ th}}$			47		44	57
34.692	6208	111.00	M_2			1267	914	1633	1014
			c			4.7	5.2	3.7	4.7
			$n_{2 \text{ Eck}}$			41	87	39	87
			$n_{2 \text{ th}}$			41	57	39	56
39.089	6995	109.00	M_2			1427	1030	1840	1142
			c			4.7	5.2	3.7	4.7
			$n_{2 \text{ Eck}}$			37	77	35	77
			$n_{2 \text{ th}}$			36	51	35	50
42.531	6541	82.40	M_2	1033		1564	1122	2013	1244
			c	6.0		4.1	5.0	3.2	4.6
			$n_{2 \text{ Eck}}$	34		34	71	32	71
			$n_{2 \text{ th}}$	34		34	52	32	51
47.923	7370	81.10	M_2	1164		1762	1264	2268	1402
			c	6.0		4.1	5.0	3.2	4.6
			$n_{2 \text{ Eck}}$	30		30	63	28	63
			$n_{2 \text{ th}}$	30		30	46	28	45
56.251	6887	54.20	M_2	1385	1068	2087	1500	2681	1662
			c	4.8	5.5	3.2	4.0	2.5	3.6
			$n_{2 \text{ Eck}}$	25	53	25	53	24	53
			$n_{2 \text{ th}}$	25	39	25	39	24	39
63.382	7760	53.50	M_2	1561	1204	2352	1691	3021	1873
			c	4.8	5.5	3.2	4.0	2.5	3.6
			$n_{2 \text{ Eck}}$	23	47	23	47	21	47
			$n_{2 \text{ th}}$	22	35	22	35	21	35
68.942	7217	38.90	M_2	1711	1321	2571	1851	3299	2049
			c	4.1	4.7	2.8	3.4	2.2	3.1
			$n_{2 \text{ Eck}}$	21	44	21	44	20	44
			$n_{2 \text{ th}}$	21	32	21	32	20	32
77.681	8131	38.40	M_2	1928	1489	2897	2085	3717	2309
			c	4.1	4.7	2.8	3.4	2.2	3.1
			$n_{2 \text{ Eck}}$	18	39	18	39	17	39
			$n_{2 \text{ th}}$	18	28	18	28	17	28

M ... [Nm]
 n ... [r/min]
 J ... [kgcm²]

P ... [kW]
 I ... [A]
 i [-]
 c [-]

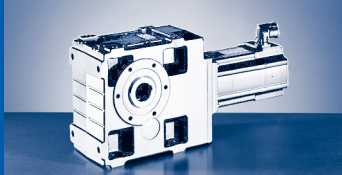


$M_{2GN} \leq 11609 \text{ Nm}$

GKS14-3S				19FC14	19FC30	19JC14	19JC30	19PC14	19PC30
				...500	...500	...500	...500	...500	...500
i	M_{2GN}	J_G	M_1	27.00	21.00	40.00	29.00	51.00	32.00
			n_1	1425	3000	1425	3000	1350	3000
			I_{M400}	8.6	14.0	12.3	18.5	14.3	19.0
			P_N	4.00	6.60	6.00	9.10	7.20	10.00
			J_M	65.12	65.04	105.04	105.12	160.12	160.04
90.551	7420	25.10	M_2	2269	1755	3399	2450	4355	2711
			c	3.2	3.7	2.2	2.7	1.7	2.4
			$n_{2 \text{ Eck}}$	16	33	16	33	15	33
			$n_{2 \text{ th}}$	16	24	16	24	15	24
102.029	8361	24.90	M_2	2556	1977	3829	2761	4907	3055
			c	3.2	3.7	2.2	2.7	1.7	2.4
			$n_{2 \text{ Eck}}$	14	29	14	29	13	29
			$n_{2 \text{ th}}$	14	22	14	22	13	22
109.896	7512	18.30	M_2	2769	2144	4140	2988	5301	3304
			c	2.7	3.1	1.8	2.2	1.4	2.0
			$n_{2 \text{ Eck}}$	13	27	13	27	12	27
			$n_{2 \text{ th}}$	13	20	13	20	12	20
123.826	8464	18.10	M_2	3120	2407	4665	3358	5973	3714
			c	2.7	3.4	1.8	2.5	1.4	2.3
			$n_{2 \text{ Eck}}$	12	24	12	24	11	24
			$n_{2 \text{ th}}$	12	18	12	18	11	18
186.572	11609	21.60	M_2	4713	3639	7041	5071	9011	5608
			c	2.4	3.1	1.6	2.3	1.3	2.1
			$n_{2 \text{ Eck}}$	8	16	8	16	7	16
			$n_{2 \text{ th}}$	8	12	8	12	7	12
210.222	11555	21.50	M_2	5327	4116	7950	5730	10169	6335
			c	2.1	2.8	1.5	2.0	1.1	1.8
			$n_{2 \text{ Eck}}$	7	14	7	14	6	14
			$n_{2 \text{ th}}$	7	11	7	11	6	11
226.431	11609	15.90	M_2	5746	4442	8571	6181	10962	6833
			c	2.0	2.6	1.4	1.9	1.1	1.7
			$n_{2 \text{ Eck}}$	6	13	6	13	6	13
			$n_{2 \text{ th}}$	6	10	6	10	6	10
255.133	11555	15.80	M_2	6490	5021	9674	6980		7715
			c	1.8	2.3	1.2	1.6		1.5
			$n_{2 \text{ Eck}}$	6	12	6	12		12
			$n_{2 \text{ th}}$	6	9	6	9		9

M ... [Nm]
n ... [r/min]
J ... [kgcm²]

P ... [kW]
I ... [A]
i [-]
c [-]



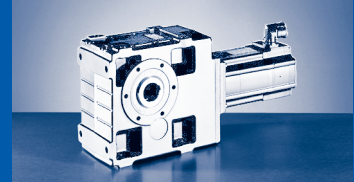
GKS [Nm]
GKS□□-□S (MCS)

$M_{2GN} \leq 11639 \text{ Nm}$

GKS14-4S				12DC20	12DC41	12HC15	12HC30	12HC35	12LC20	12LC41	14DC15	14DC36	14HC15	
				...500	...500	...500	...500	...500	...500	...500	...500	...500	...500	
i	M_{2GN}	J_G	M_1	5.50	4.30	10.00	8.00	7.50	13.50	11.00	9.20	7.50	16.00	
			n_1	1950	4050	1500	3000	3525	1950	4050	1500	3600	1500	
			I_{M230}	5.2	8.8	7.6	10.5		11.8					
			I_{M400}	2.6	4.5	3.8		5.7	5.9	10.2	4.5	7.5	6.6	
			P_N	1.10	1.80	1.60	2.50	2.80	2.80	4.70	1.45	2.80	2.50	
			J_M	4.12	4.12	7.42	7.42	7.42	10.72	10.72	8.22	8.22	14.32	
97.467	4589	23.47	M_2			871	692	648	1193	972				
			c			5.0	5.7	5.8	3.7	3.7				
			$n_{2 \text{ Eck}}$			15	31	36	20	42				
			$n_{2 \text{ th}}$			15	31	36	20	36				
97.467	7182	23.47	M_2										1395	
			c											4.9
			$n_{2 \text{ Eck}}$											15
			$n_{2 \text{ th}}$											15
97.467	10019	23.47	M_2											
			c											
			$n_{2 \text{ Eck}}$											
			$n_{2 \text{ th}}$											
109.822	5170	23.23	M_2			981	779	730	1344	1095				
			c			5.0	5.7	5.8	3.7	3.7				
			$n_{2 \text{ Eck}}$			14	27	32	18	37				
			$n_{2 \text{ th}}$			14	27	32	18	32				
109.822	8093	23.23	M_2										1572	
			c											4.9
			$n_{2 \text{ Eck}}$											14
			$n_{2 \text{ th}}$											14
109.822	10937	23.23	M_2											
			c											
			$n_{2 \text{ Eck}}$											
			$n_{2 \text{ th}}$											
119.493	5626	19.94	M_2			1067			1462	1186				
			c			5.0			3.7	4.2				
			$n_{2 \text{ Eck}}$			13			16	34				
			$n_{2 \text{ th}}$			13			16	30				
119.493	8805	19.94	M_2										1710	
			c											4.9
			$n_{2 \text{ Eck}}$											13
			$n_{2 \text{ th}}$											13
119.493	10787	19.94	M_2											
			c											
			$n_{2 \text{ Eck}}$											
			$n_{2 \text{ th}}$											
134.640	6339	19.78	M_2			1203			1647	1336				
			c			5.0			3.7	4.2				
			$n_{2 \text{ Eck}}$			11			15	30				
			$n_{2 \text{ th}}$			11			14	26				
134.640	9921	19.78	M_2										1927	
			c											4.9
			$n_{2 \text{ Eck}}$											11
			$n_{2 \text{ th}}$											11
134.640	11261	19.78	M_2											
			c											
			$n_{2 \text{ Eck}}$											
			$n_{2 \text{ th}}$											
158.039	7440	16.44	M_2			1412			1934	1568				
			c			5.0			3.7	4.2				
			$n_{2 \text{ Eck}}$			10			12	26				
			$n_{2 \text{ th}}$			9			12	23				

M ... [Nm]
n ... [r/min]
J ... [kgcm²]

P ... [kW]
I ... [A]
i [-]
c [-]

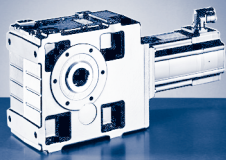


$M_{2GN} \leq 11639 \text{ Nm}$

14HC32	14LC15	14LC32	14PC14	14PC32	19FC14	19FC30	19JC14	19JC30	19PC14	19PC30	GKS14-4S			
...S00	...S00	...S00	...S00	...S00	...S00	...S00	...S00	...S00	...S00	...S00	M_1	J_G	M_{2GN}	i
14.00	23.00	17.20	30.00	21.00	27.00	21.00	40.00	29.00	51.00	32.00	n_1			
3225	1500	3225	1350	3225	1425	3000	1425	3000	1350	3000	I_{M230}			
											I_{M400}			
11.9	9.7	15.0	10.8	15.6	8.6	14.0	12.3	18.5	14.3	19.0	P_N			
4.70	3.60	5.80	4.20	7.10	4.00	6.60	6.00	9.10	7.20	10.00	J_M			
14.32	23.44	23.44	34.74	34.82	65.12	65.04	105.04	105.12	160.12	160.04	M_2			
											c			
											n_2 Eck	23.47	4589	97.467
											n_2 th			
1220	2039	1514	2682	1864							M_2			
5.0	3.4	4.0	2.6	3.3							c			
33	15	33	14	33							n_2 Eck	23.47	7182	97.467
33	15	33	14	33							n_2 th			
					2377	1835	3572	2571	4584	2847	M_2			
					4.1	4.7	2.7	3.4	2.2	3.1	c			
					15	31	15	31	14	31	n_2 Eck	23.47	10019	97.467
					15	23	15	23	14	23	n_2 th			
											M_2			
											c			
											n_2 Eck	23.23	5170	109.822
											n_2 th			
1375	2297	1706	3023	2100							M_2			
5.0	3.4	4.0	2.6	3.3							c			
29	14	29	12	29							n_2 Eck	23.23	8093	109.822
29	14	29	12	29							n_2 th			
					2681	2071	4028	2900	5169	3211	M_2			
					4.0	4.6	2.7	3.3	2.1	3.0	c			
					13	27	13	27	12	27	n_2 Eck	23.23	10937	109.822
					13	20	13	20	12	20	n_2 th			
											M_2			
											c			
											n_2 Eck	19.94	5626	119.493
											n_2 th			
1487	2499	1848	3289	2276							M_2			
5.5	3.4	4.5	2.6	3.7							c			
27	13	27	11	27							n_2 Eck	19.94	8805	119.493
27	13	27	11	27							n_2 th			
					2930	2253	4396	3155	5636	3494	M_2			
					3.6	4.6	2.4	3.3	1.9	3.0	c			
					12	25	12	25	11	25	n_2 Eck	19.94	10787	119.493
					12	19	12	19	11	19	n_2 th			
											M_2			
											c			
											n_2 Eck	19.78	6339	134.640
											n_2 th			
1675	2816	2082	3706	2565							M_2			
5.5	3.4	4.5	2.6	3.7							c			
24	11	24	10	24							n_2 Eck	19.78	9921	134.640
24	11	24	10	24							n_2 th			
					3310	2548	4962	3564	6360	3945	M_2			
					3.3	4.3	2.2	3.1	1.8	2.8	c			
					11	22	11	22	10	22	n_2 Eck	19.78	11261	134.640
					11	16	11	16	10	16	n_2 th			
											M_2			
											c			
											n_2 Eck	16.44	7440	158.039
											n_2 th			

M ... [Nm]
n ... [r/min]
J ... [kgcm²]

P ... [kW]
I ... [A]
i [-]
c [-]



GKS [Nm]

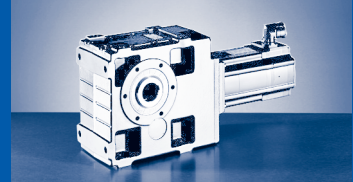
GKS□□-□S (MCS)

$M_{2GN} \leq 11639 \text{ Nm}$

GKS14-4S				12DC20	12DC41	12HC15	12HC30	12HC35	12LC20	12LC41	14DC15	14DC36	14HC15
				...500	...500	...500	...500	...500	...500	...500	...500	...500	...500
i	M_{2GN}	J_G	M_1	5.50	4.30	10.00	8.00	7.50	13.50	11.00	9.20	7.50	16.00
			n_1	1950	4050	1500	3000	3525	1950	4050	1500	3600	1500
			I_{M230}	5.2	8.8	7.6	10.5		11.8				
			I_{M400}	2.6	4.5	3.8		5.7	5.9	10.2	4.5	7.5	6.6
			P_N	1.10	1.80	1.60	2.50	2.80	2.80	4.70	1.45	2.80	2.50
			J_M	4.12	4.12	7.42	7.42	7.42	10.72	10.72	8.22	8.22	14.32
158.039	11522	16.44	M_2 c $n_{2 \text{ Eck}}$ $n_{2 \text{ th}}$										2263 4.9 10 9
178.072	8383	16.35	M_2 c $n_{2 \text{ Eck}}$ $n_{2 \text{ th}}$			1591 5.0 8 8			2179 3.7 11 11	1767 4.2 23 20			
178.072	11477	16.35	M_2 c $n_{2 \text{ Eck}}$ $n_{2 \text{ th}}$										2566 4.3 8 8
193.754	11522	12.08	M_2 c $n_{2 \text{ Eck}}$ $n_{2 \text{ th}}$										2802 4.0 8 8
218.315	11477	12.02	M_2 c $n_{2 \text{ Eck}}$ $n_{2 \text{ th}}$										3174 3.5 7 7
237.467	11454	10.87	M_2 c $n_{2 \text{ Eck}}$ $n_{2 \text{ th}}$								1939 5.6 6 6		3463 3.2 6 6
267.568	11520	10.83	M_2 c $n_{2 \text{ Eck}}$ $n_{2 \text{ th}}$								2200 5.0 6 6	1778 5.8 14 13	3917 2.9 6 6
321.729	10184	6.42	M_2 c $n_{2 \text{ Eck}}$ $n_{2 \text{ th}}$			2927 3.4 5 5	2320 4.2 9 9	2174 4.3 11 11	3990 2.5 6 6	3241 2.8 13 13			
321.729	11454	6.42	M_2 c $n_{2 \text{ Eck}}$ $n_{2 \text{ th}}$								2671 4.1 5 5	2162 4.8 11 11	4735 2.4 5 5
362.512	11475	6.40	M_2 c $n_{2 \text{ Eck}}$ $n_{2 \text{ th}}$			3298 3.4 4 4	2614 4.2 8 8	2449 4.3 10 10	4496 2.5 5 5	3652 2.8 11 11			
362.512	11520	6.40	M_2 c $n_{2 \text{ Eck}}$ $n_{2 \text{ th}}$								3024 3.7 4 4	2450 4.3 10 10	5350 2.1 4 4
390.671	10597	4.75	M_2 c $n_{2 \text{ Eck}}$ $n_{2 \text{ th}}$	1914 5.3 5 5		3573 2.9 4 4	2836 3.6 8 8	2658 3.7 9 9	4864 2.2 5 5	3953 2.4 10 10			
390.671	11454	4.75	M_2 c $n_{2 \text{ Eck}}$ $n_{2 \text{ th}}$								3269 3.4 4 4	2650 3.9 9 9	5776 2.0 4 4

$M \dots$ [Nm]
 $n \dots$ [r/min]
 $J \dots$ [kgcm²]

$P \dots$ [kW]
 $I \dots$ [A]
 $i \dots$ [-]
 $c \dots$ [-]

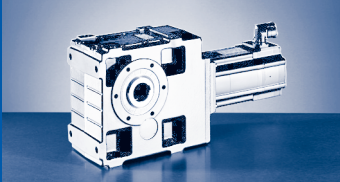


$M_{2GN} \leq 11639 \text{ Nm}$

14HC32	14LC15	14LC32	14PC14	14PC32	19FC14	19FC30	19JC14	19JC30	19PC14	19PC30	GKS14-4S			
...500	...500	...500	...500	...500	...500	...500	...500	...500	...500	...500	M_1	J_G	M_{2GN}	i
14.00	23.00	17.20	30.00	21.00	27.00	21.00	40.00	29.00	51.00	32.00	n_1			
3225	1500	3225	1350	3225	1425	3000	1425	3000	1350	3000	I_{M230}			
											I_{M400}			
11.9	9.7	15.0	10.8	15.6	8.6	14.0	12.3	18.5	14.3	19.0	P_N			
4.70	3.60	5.80	4.20	7.10	4.00	6.60	6.00	9.10	7.20	10.00	J_M			
14.32	23.44	23.44	34.74	34.82	65.12	65.04	105.04	105.12	160.12	160.04	M_2			
1968	3307	2445	4351	3012	3903	3009	5842	4202	7483	4649	c	16.44	11522	158.039
5.4	3.4	4.4	2.6	3.6	2.9	3.7	2.0	2.7	1.5	2.4	$n_{2 \text{ Eck}}$			
20	10	20	9	20	9	19	9	19	9	19	$n_{2 \text{ th}}$			
20	9	20	9	20	9	14	9	14	9	14	M_2			
											c	16.35	8383	178.072
											$n_{2 \text{ Eck}}$			
											$n_{2 \text{ th}}$			
2233	3742	2770	4919	3409	4414	3406	6599	4751	8448	5255	M_2			
4.8	3.0	3.9	2.3	3.2	2.6	3.3	1.7	2.4	1.4	2.2	c	16.35	11477	178.072
18	8	18	8	18	8	17	8	17	8	17	$n_{2 \text{ Eck}}$			
18	8	18	8	18	8	12	8	12	8	12	$n_{2 \text{ th}}$			
2439	4082	3025	5362	3719	4814	3716	7191	5179	9202	5728	M_2			
4.4	2.8	3.6	2.1	3.0	2.4	3.0	1.6	2.2	1.3	2.0	c	12.08	11522	193.754
17	8	17	7	17	7	16	7	16	7	16	$n_{2 \text{ Eck}}$			
17	8	17	7	17	7	11	7	11	7	11	$n_{2 \text{ th}}$			
2764	4616	3424	6058	4207	5440	4204	8118	5852	10384	6470	M_2			
3.9	2.5	3.2	1.9	2.6	2.1	2.7	1.4	1.9	1.1	1.8	c	12.02	11477	218.315
15	7	15	6	15	7	14	7	14	6	14	$n_{2 \text{ Eck}}$			
15	7	15	6	15	7	10	7	10	6	10	$n_{2 \text{ th}}$			
3018	5032	3735	6600	4586	5928	4583	8841	6376	11306	7049	M_2			
3.6	2.3	2.9	1.7	2.4	1.9	2.5	1.3	1.8	1.0	1.6	c	10.87	11454	237.467
14	6	14	6	14	6	13	6	13	6	13	$n_{2 \text{ Eck}}$			
14	6	14	6	14	6	9	6	9	6	9	$n_{2 \text{ th}}$			
3415	5684	4223	7452	5182	6694	5179	9977	7199		7957	M_2			
3.2	2.0	2.6	1.5	2.1	1.7	2.2	1.2	1.6		1.4	c	10.83	11520	267.568
12	6	12	5	12	5	11	5	11		11	$n_{2 \text{ Eck}}$			
12	6	12	5	12	5	8	5	8		8	$n_{2 \text{ th}}$			
											M_2			
											c	6.42	10184	321.729
											$n_{2 \text{ Eck}}$			
											$n_{2 \text{ th}}$			
4131	6861	5103	8986	6256							M_2			
2.7	1.7	2.2	1.3	1.8							c	6.42	11454	321.729
10	5	10	4	10							$n_{2 \text{ Eck}}$			
10	5	10	4	10							$n_{2 \text{ th}}$			
											M_2			
											c	6.40	11475	362.512
											$n_{2 \text{ Eck}}$			
											$n_{2 \text{ th}}$			
4669	7745	5764	10140	7064							M_2			
2.4	1.5	1.9	1.1	1.6							c	6.40	11520	362.512
9	4	9	4	9							$n_{2 \text{ Eck}}$			
9	4	9	4	9							$n_{2 \text{ th}}$			
											M_2			
											c	4.75	10597	390.671
											$n_{2 \text{ Eck}}$			
											$n_{2 \text{ th}}$			
5042	8357	6222	10938	7623							M_2			
2.2	1.4	1.8	1.1	1.5							c	4.75	11454	390.671
8	4	8	4	8							$n_{2 \text{ Eck}}$			
8	4	8	3	8							$n_{2 \text{ th}}$			

$M \dots$ [Nm]
 $n \dots$ [r/min]
 $J \dots$ [kgcm²]

$P \dots$ [kW]
 $I \dots$ [A]
 $i [-]$
 $c [-]$



GKS [Nm]

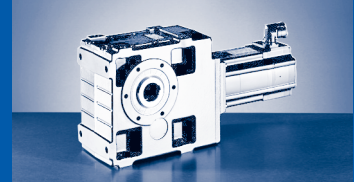
GKS□□-□S (MCS)

$M_{2GN} \leq 11639 \text{ Nm}$

GKS14-4S				12DC20	12DC41	12HC15	12HC30	12HC35	12LC20	12LC41	14DC15	14DC36	14HC15	
				...500	...500	...500	...500	...500	...500	...500	...500	...500	...500	...500
i	M_{2GN}	J_G	M_1	5.50	4.30	10.00	8.00	7.50	13.50	11.00	9.20	7.50	16.00	
			n_1	1950	4050	1500	3000	3525	1950	4050	1500	3600	1500	
			I_{M230}	5.2	8.8	7.6	10.5		11.8					
			I_{M400}	2.6	4.5	3.8		5.7	5.9	10.2	4.5	7.5	6.6	
			P_N	1.10	1.80	1.60	2.50	2.80	2.80	4.70	1.45	2.80	2.50	
			J_M	4.12	4.12	7.42	7.42	7.42	10.72	10.72	8.22	8.22	14.32	
440.193	11520	4.73	M_2	2161	1675	4031	3200	2999	5485	4458	3698	3000	6523	
			c	5.1	5.9	2.8	3.5	3.5	2.1	2.3	3.1	3.5	1.8	
			$n_{2\text{ Eck}}$	4	9	3	7	8	4	9	3	8	3	
			$n_{2\text{ th}}$	4	9	3	7	8	4	9	3	8	3	
513.121	11488	4.33	M_2	2540	1971	4719	3751	3515	6414	5215	4332	3516	7625	
			c	4.4	5.1	2.4	3.0	3.0	1.8	2.0	2.6	3.0	1.5	
			$n_{2\text{ Eck}}$	4	8	3	6	7	4	8	3	7	3	
			$n_{2\text{ th}}$	4	8	3	6	7	4	8	3	7	3	
578.164	11639	4.32	M_2	2876	2233	5332	4240	3974	7241	5889	4895	3975	8605	
			c	3.9	4.5	2.2	2.7	2.7	1.6	1.8	2.3	2.7	1.4	
			$n_{2\text{ Eck}}$	3	7	3	5	6	3	7	3	6	3	
			$n_{2\text{ th}}$	3	7	3	5	6	3	7	3	6	3	
622.742	11488	4.12	M_2	3109	2416	5754	4578	4291	7811	6353	5284	4292	9280	
			c	3.6	4.2	2.0	2.5	2.5	1.5	1.6	2.2	2.5	1.2	
			$n_{2\text{ Eck}}$	3	7	2	5	6	3	7	2	6	2	
			$n_{2\text{ th}}$	3	7	2	5	6	3	7	2	6	2	
701.681	11639	4.12	M_2	3517	2735	6497	5173	4848	8815	7171	5967	4849	10470	
			c	3.2	3.7	1.8	2.2	2.3	1.3	1.5	1.9	2.2	1.1	
			$n_{2\text{ Eck}}$	3	6	2	4	5	3	6	2	5	2	
			$n_{2\text{ th}}$	3	6	2	4	5	3	6	2	5	2	
805.901	11488	2.62	M_2	4060	3159	7482	5961	5587	10144	8255	6874	5588		
			c	2.8	3.2	1.5	1.9	1.9	1.1	1.3	1.7	1.9		
			$n_{2\text{ Eck}}$	2	5	2	4	4	2	5	2	5		
			$n_{2\text{ th}}$	2	5	2	4	4	2	5	2	4		
908.058	11639	2.62	M_2	4589	3572	8445	6731	6309	11444	9314	7759	6310		
			c	2.5	2.9	1.4	1.7	1.7	1.0	1.1	1.5	1.7		
			$n_{2\text{ Eck}}$	2	5	2	3	4	2	5	2	4		
			$n_{2\text{ th}}$	2	4	2	3	4	2	4	2	4		
978.071	11488	1.91	M_2	4954	3858	9107	7261	6806		10042	8369	6807		
			c	2.3	2.7	1.3	1.6	1.6		1.0	1.4	1.6		
			$n_{2\text{ Eck}}$	2	4	2	3	4		4	2	4		
			$n_{2\text{ th}}$	2	4	2	3	4		4	2	4		
1102.052	11639	1.91	M_2	5595	4359	10276	8196	7682			9444	7683		
			c	2.1	2.4	1.1	1.4	1.4			1.2	1.4		
			$n_{2\text{ Eck}}$	2	4	1	3	3			1	3		
			$n_{2\text{ th}}$	2	4	1	3	3			1	3		
1236.326	11488	1.26	M_2	6294	4906		9211	8634						
			c	1.8	2.1		1.2	1.3						
			$n_{2\text{ Eck}}$	2	3		2	3						
			$n_{2\text{ th}}$	2	3		2	3						
1393.043	11639	1.26	M_2	7106	5540		10392	9742						
			c	1.6	1.9		1.1	1.1						
			$n_{2\text{ Eck}}$	1	3		2	3						
			$n_{2\text{ th}}$	1	3		2	3						

$M \dots$ [Nm]
 $n \dots$ [r/min]
 $J \dots$ [kgcm²]

$P \dots$ [kW]
 $I \dots$ [A]
 i [-]
 c [-]

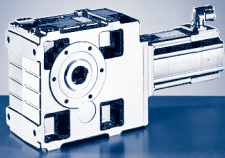


$M_{2GN} \leq 11639 \text{ Nm}$

14HC32	14LC15	14LC32	14PC14	14PC32	19FC14	19FC30	19JC14	19JC30	19PC14	19PC30	GKS14-4S			
...500	...500	...500	...500	...500	...500	...500	...500	...500	...500	...500	M_1	J_G	M_{2GN}	i
14.00	23.00	17.20	30.00	21.00	27.00	21.00	40.00	29.00	51.00	32.00	n_1			
3225	1500	3225	1350	3225	1425	3000	1425	3000	1350	3000	I_{M230}			
											I_{M400}			
11.9	9.7	15.0	10.8	15.6	8.6	14.0	12.3	18.5	14.3	19.0	P_N			
4.70	3.60	5.80	4.20	7.10	4.00	6.60	6.00	9.10	7.20	10.00	J_M			
14.32	23.44	23.44	34.74	34.82	65.12	65.04	105.04	105.12	160.12	160.04	M_2			
5695	9431	7025		8603							c			
2.0	1.2	1.6		1.3							$n_{2 \text{ Eck}}$	4.73	11520	440.193
7	3	7		7							$n_{2 \text{ th}}$			
7	3	7		7							M_2			
6659	11014	8209		10049							c			
1.7	1.0	1.4		1.1							$n_{2 \text{ Eck}}$	4.33	11488	513.121
6	3	6		6							$n_{2 \text{ th}}$			
6	3	6		6							M_2			
7517		9263		11336							c			
1.5		1.2		1.0							$n_{2 \text{ Eck}}$	4.32	11639	578.164
6		6		6							$n_{2 \text{ th}}$			
6		6		6							M_2			
8108		9988									c			
1.4		1.1									$n_{2 \text{ Eck}}$	4.12	11488	622.742
5		5									$n_{2 \text{ th}}$			
5		5									M_2			
9149		11268									c			
1.2		1.0									$n_{2 \text{ Eck}}$	4.12	11639	701.681
5		5									$n_{2 \text{ th}}$			
5		5									M_2			
10527											c			
1.1											$n_{2 \text{ Eck}}$	2.62	11488	805.901
4											$n_{2 \text{ th}}$			
4											M_2			
											c			
											$n_{2 \text{ Eck}}$	2.62	11639	908.058
											$n_{2 \text{ th}}$			
											M_2			
											c			
											$n_{2 \text{ Eck}}$	1.91	11488	978.071
											$n_{2 \text{ th}}$			
											M_2			
											c			
											$n_{2 \text{ Eck}}$	1.91	11639	1102.052
											$n_{2 \text{ th}}$			
											M_2			
											c			
											$n_{2 \text{ Eck}}$	1.26	11488	1236.326
											$n_{2 \text{ th}}$			
											M_2			
											c			
											$n_{2 \text{ Eck}}$	1.26	11639	1393.043
											$n_{2 \text{ th}}$			

M ... [Nm]
n ... [r/min]
J ... [kgcm²]

P ... [kW]
I ... [A]
i [-]
c [-]



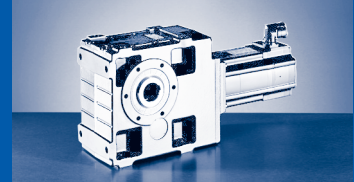
GKS [Nm]
GKS□□-□A (MCA)

$M_{2GN} \leq 187 \text{ Nm}$

GKS04-3A				10IC40	13IC34	13IC41
				...500	...F10	...500
i	M_{2GN}	J_G	M_1			
			n_1	3950	3410	4050
			I_{M400}	2.4	6.0	4.4
			P_N	0.80	2.20	1.70
			J_M	2.44	8.34	8.34
5.123	81	1.17	M_2	9	30	19
			c	6.0	2.0	3.0
			$n_{2 \text{ Eck}}$	771	666	791
			$n_{2 \text{ th}}$	727	593	639
			M_2	13	42	26
7.025	93	0.68	c	5.0	1.7	2.5
			$n_{2 \text{ Eck}}$	562	485	577
			$n_{2 \text{ th}}$	562	445	503
			M_2	15	48	30
			c	6.0	2.0	3.0
8.167	128	0.86	$n_{2 \text{ Eck}}$	484	418	496
			$n_{2 \text{ th}}$	456	372	401
			M_2	16	54	34
			c	4.4	1.5	2.2
			$n_{2 \text{ Eck}}$	439	379	451
8.991	103	0.44	$n_{2 \text{ th}}$	439	379	450
			M_2	18	59	37
			c	4.1	1.4	2.0
			$n_{2 \text{ Eck}}$	402	347	412
			$n_{2 \text{ th}}$	402	347	412
11.730	180	0.73	M_2	21	69	44
			c	5.9	2.0	2.9
			$n_{2 \text{ Eck}}$	337	291	345
			$n_{2 \text{ th}}$	316	256	278
			M_2	24	78	49
13.067	165	0.70	c	4.8	1.6	2.4
			$n_{2 \text{ Eck}}$	302	261	310
			$n_{2 \text{ th}}$	274	206	240
			M_2	26	85	54
			c	4.4	1.5	2.2
14.333	164	0.35	$n_{2 \text{ Eck}}$	276	238	283
			$n_{2 \text{ th}}$	276	238	283
			M_2	30	96	60
			c	4.3	1.4	2.1
			$n_{2 \text{ Eck}}$	246	212	252
16.087	181	0.44	$n_{2 \text{ th}}$	242	181	214
			M_2	33	107	68
			c	3.5	1.2	1.8
			$n_{2 \text{ Eck}}$	220	190	226
			$n_{2 \text{ th}}$	210	150	178
17.920	166	0.43	M_2	38	123	78
			c	3.4	1.1	1.7
			$n_{2 \text{ Eck}}$	192	166	197
			$n_{2 \text{ th}}$	192	148	178
			M_2	42	135	85
22.522	182	0.26	c	3.1	1.0	1.5
			$n_{2 \text{ Eck}}$	175	151	180
			$n_{2 \text{ th}}$	175	138	163
			M_2	47		95
			c	2.5		1.3
25.088	167	0.25	$n_{2 \text{ Eck}}$	158		161
			$n_{2 \text{ th}}$	157		134

M ... [Nm]
n ... [r/min]
J ... [kgcm²]

P ... [kW]
I ... [A]
i [-]
c [-]

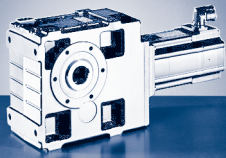


$M_{2GN} \leq 187 \text{ Nm}$

GKS04-3A				10IC40	13IC34	13IC41
				...500	...F10	...500
i	M_{2GN}	J_G	M_1			
			n_1	3950	3410	4050
			I_{M400}	2.4	6.0	4.4
			P_N	0.80	2.20	1.70
			J_M	2.44	8.34	8.34
28.727	183	0.18	M_2	54		109
			c	2.4		1.2
			$n_{2 \text{ Eck}}$	138		141
			$n_{2 \text{ th}}$	138		133
			M_2	60		
32.000	167	0.18	c	2.0		
			$n_{2 \text{ Eck}}$	123		
			$n_{2 \text{ th}}$	123		
			M_2	66		
35.191	183	0.14	c	2.0		
			$n_{2 \text{ Eck}}$	112		
			$n_{2 \text{ th}}$	112		
39.200	168	0.13	M_2	74		
			c	1.6		
			$n_{2 \text{ Eck}}$	101		
44.240	185	0.09	$n_{2 \text{ th}}$	101		
			M_2	83		
			c	1.8		
50.943	182	0.18	$n_{2 \text{ Eck}}$	89		
			$n_{2 \text{ th}}$	89		
			M_2	96		
56.976	187	0.06	c	1.6		
			$n_{2 \text{ Eck}}$	78		
			$n_{2 \text{ th}}$	72		
64.978	183	0.13	M_2	108		
			c	1.4		
			$n_{2 \text{ Eck}}$	69		
			$n_{2 \text{ th}}$	69		
			M_2	123		
			c	1.2		
			$n_{2 \text{ Eck}}$	61		
			$n_{2 \text{ th}}$	59		

M ... [Nm]
n ... [r/min]
J ... [kgcm²]

P ... [kW]
I ... [A]
i [-]
c [-]



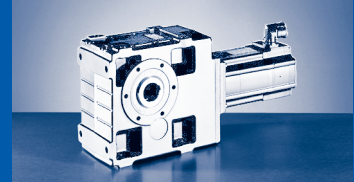
GKS [Nm]
GKS□□-□A (MCA)

$M_{2GN} \leq 331 \text{ Nm}$

GKS05-3A				10IC40	13IC34	13IC41	14LC16	14LC20	14LC35	14LC41
				...S00	...F10	...S00	...F10	...S00	...F10	...S00
i	M_{2GN}	J_G	M_1	2.00	6.30	4.00	12.00	6.70	10.80	5.40
			n_1	3950	3410	4050	1635	2000	3455	4100
			I_{M400}	2.4	6.0	4.4	4.8	3.3	9.1	5.8
			P_N	0.80	2.20	1.70	2.10	1.40	3.90	2.30
			J_M	2.44	8.34	8.34	19.32	19.24	19.24	19.24
6.863	147	1.90	M_2		40	25	78	43	70	34
			c		2.7	4.1	1.8	3.1	1.6	3.0
			n_2 Eck		497	590	238	291	503	597
			n_2 th		389	422	238	291	321	397
9.412	165	1.17	M_2		56	35	107	59	96	48
			c		2.2	3.3	1.5	2.5	1.3	2.4
			n_2 Eck		362	430	174	213	367	436
			n_2 th		320	347	174	213	248	327
10.569	227	1.60	M_2		62	39	119	66	108	53
			c		2.7	4.1	1.8	3.1	1.6	3.0
			n_2 Eck		323	383	155	189	327	388
			n_2 th		253	274	155	189	209	258
11.667	251	1.65	M_2		69	43	132	73	119	59
			c		2.7	4.1	1.8	3.1	1.6	3.0
			n_2 Eck		292	347	140	171	296	351
			n_2 th		229	248	140	171	189	234
13.176	165	0.71	M_2	24	78	49	150	83		67
			c	4.8	1.6	2.4	1.1	1.8		1.8
			n_2 Eck	300	259	307	124	152		311
			n_2 th	300	231	266	124	152		242
14.494	254	1.05	M_2		86	54	164	91	148	73
			c		2.2	3.3	1.5	2.5	1.3	2.4
			n_2 Eck		235	279	113	138	238	283
			n_2 th		208	225	113	138	161	212
16.000	280	1.04	M_2		95	59	181	100	164	81
			c		2.2	3.3	1.5	2.5	1.3	2.4
			n_2 Eck		213	253	102	125	216	256
			n_2 th		188	204	102	125	146	192
17.054	314	1.51	M_2		101	63	193	107	174	86
			c		2.3	3.5	1.6	2.6	1.4	2.6
			n_2 Eck		200	238	96	117	203	240
			n_2 th		151	165	96	117	119	155
19.216	297	1.47	M_2		114	72	218	121	197	97
			c		2.0	2.9	1.3	2.2	1.1	2.2
			n_2 Eck		178	211	85	104	180	213
			n_2 th		129	141	85	104	98	132
23.388	329	0.96	M_2		139	87	266	147	240	119
			c		1.8	2.7	1.2	2.0	1.0	2.0
			n_2 Eck		146	173	70	86	148	175
			n_2 th		119	134	70	86	90	125
26.353	298	0.95	M_2		157	99		167		134
			c		1.4	2.1		1.6		1.6
			n_2 Eck		129	154		76		156
			n_2 th		94	113		76		98
29.931	330	0.67	M_2	55	178	112		189		153
			c	4.2	1.4	2.1		1.6		1.5
			n_2 Eck	132	114	135		67		137
			n_2 th	125	92	110		67		96
32.744	331	0.58	M_2	60	195	123		207		167
			c	3.9	1.3	1.9		1.4		1.4
			n_2 Eck	121	104	124		61		125
			n_2 th	116	85	102		61		88

$M \dots$ [Nm]
 $n \dots$ [r/min]
 $J \dots$ [kgcm²]

$P \dots$ [kW]
 $I \dots$ [A]
 i [-]
 c [-]

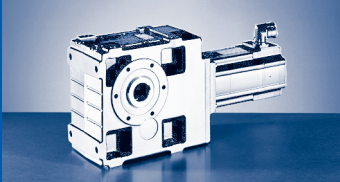


$M_{2GN} \leq 331 \text{ Nm}$

GKS05-3A				10IC40	13IC34	13IC41	14LC16	14LC20	14LC35	14LC41
				...S00	...F10	...S00	...F10	...S00	...F10	...S00
i	M_{2GN}	J_G	M_1	2.00	6.30	4.00	12.00	6.70	10.80	5.40
			n_1	3950	3410	4050	1635	2000	3455	4100
			I_{M400}	2.4	6.0	4.4	4.8	3.3	9.1	5.8
			P_N	0.80	2.20	1.70	2.10	1.40	3.90	2.30
			J_M	2.44	8.34	8.34	19.32	19.24	19.24	19.24
36.894	302	0.58	M_2	69	221	139		234		189
			c	3.1	1.0	1.6		1.2		1.1
			$n_{2 \text{ Eck}}$	107	92	110		54		111
			$n_{2 \text{ th}}$	100	69	82		54		72
41.765	331	0.42	M_2	78	250	158		265		214
			c	3.0	1.0	1.5		1.1		1.1
			$n_{2 \text{ Eck}}$	95	82	97		48		98
			$n_{2 \text{ th}}$	95	71	84		48		73
47.059	304	0.41	M_2	88		178		299		241
			c	2.8		1.4		1.0		1.0
			$n_{2 \text{ Eck}}$	84		86		43		87
			$n_{2 \text{ th}}$	84		72		43		63
51.162	331	0.32	M_2	95		194		326		262
			c	2.8		1.4		1.0		1.0
			$n_{2 \text{ Eck}}$	77		79		39		80
			$n_{2 \text{ th}}$	77		74		39		66
57.647	307	0.32	M_2	108		219				
			c	2.3		1.1				
			$n_{2 \text{ Eck}}$	69		70				
			$n_{2 \text{ th}}$	69		61				
66.592	331	0.20	M_2	125		253				
			c	2.2		1.1				
			$n_{2 \text{ Eck}}$	59		61				
			$n_{2 \text{ th}}$	59		61				
75.033	310	0.20	M_2	141						
			c	1.8						
			$n_{2 \text{ Eck}}$	53						
			$n_{2 \text{ th}}$	53						
82.833	331	0.14	M_2	156						
			c	1.7						
			$n_{2 \text{ Eck}}$	48						
			$n_{2 \text{ th}}$	48						
93.333	315	0.14	M_2	176						
			c	1.5						
			$n_{2 \text{ Eck}}$	42						
			$n_{2 \text{ th}}$	42						
107.196	331	0.09	M_2	203						
			c	1.3						
			$n_{2 \text{ Eck}}$	37						
			$n_{2 \text{ th}}$	37						
120.784	315	0.09	M_2	229						
			c	1.3						
			$n_{2 \text{ Eck}}$	33						
			$n_{2 \text{ th}}$	33						
130.097	331	0.07	M_2	247						
			c	1.2						
			$n_{2 \text{ Eck}}$	30						
			$n_{2 \text{ th}}$	30						
146.588	315	0.07	M_2	278						
			c	1.0						
			$n_{2 \text{ Eck}}$	27						
			$n_{2 \text{ th}}$	27						

M ... [Nm]
n ... [r/min]
J ... [kgcm²]

P ... [kW]
I ... [A]
i [-]
c [-]



GKS [Nm]

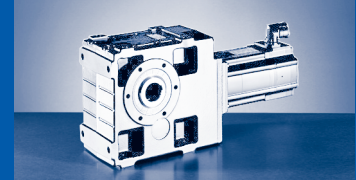
GKS□□-□A (MCA)

$M_{2GN} \leq 283 \text{ Nm}$

GKS05-4A				10IC40
				...S00
i	M_{2GN}	J_G	M_1	2.00
			n_1	3950
			I_{M400}	2.4
			P_N	0.80
			J_M	2.44
			M_2	215
114.987	256	0.20	c	1.1
			$n_{2 \text{ Eck}}$	34
			$n_{2 \text{ th}}$	34
			M_2	237
126.933	283	0.20	c	1.1
			$n_{2 \text{ Eck}}$	31
			$n_{2 \text{ th}}$	31

M ... [Nm]
 n ... [r/min]
 J ... [kgcm²]

P ... [kW]
 I ... [A]
 i [-]
 c [-]

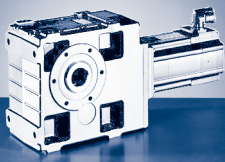


$M_{2GN} \leq 702 \text{ Nm}$

GKS06-3A				10IC40	13IC34	13IC41	14LC16	14LC20	14LC35	14LC41	17NC17	17NC23	17NC35	17NC41
				...S00	...F10	...S00	...F10	...S00	...F10	...S00	...F10	...S00	...F10	...S00
i	M _{2GN}	J _G	M ₁	2.00	6.30	4.00	12.00	6.70	10.80	5.40	21.50	10.80	19.00	9.50
			n ₁	3950	3410	4050	1635	2000	3455	4100	1680	2300	3480	4110
			I _{M400}	2.4	6.0	4.4	4.8	3.3	9.1	5.8	8.5	5.5	15.8	10.2
			P _N	0.80	2.20	1.70	2.10	1.40	3.90	2.30	3.80	2.60	6.90	4.10
			J _M	2.44	8.34	8.34	19.32	19.24	19.24	19.24	36.04	36.04	36.04	36.04
6.485	263	5.87	M ₂				72	39	65	32	131	65	116	57
			c				3.5	5.8	3.0	5.7	1.9	3.4	1.7	3.2
			n ₂ Eck				252	308	533	632	259	355	537	634
			n ₂ th				252	308	354	404	259	355	294	359
9.196	373	5.05	M ₂				102	56	92	45	186	92	165	81
			c				3.5	5.8	3.0	5.7	1.9	3.4	1.7	3.2
			n ₂ Eck				178	218	376	446	183	250	378	447
			n ₂ th				178	217	249	285	183	250	207	253
10.147	412	4.86	M ₂				113	61	102	49	205	101	182	89
			c				3.5	5.8	3.0	5.7	1.9	3.4	1.7	3.2
			n ₂ Eck				161	197	341	404	166	227	343	405
			n ₂ th				161	197	226	258	166	227	188	230
11.382	331	2.49	M ₂		66	41	128	70	115	57	232	115	205	101
			c		3.7	5.5	2.5	4.2	2.2	4.1	1.4	2.5	1.2	2.3
			n ₂ Eck		300	356	144	176	304	360	148	202	306	361
			n ₂ th		284	306	144	176	253	289	148	202	190	257
12.612	426	3.20	M ₂				141	77	127	62	256	127	227	112
			c				2.9	4.8	2.5	4.7	1.6	2.9	1.4	2.7
			n ₂ Eck				130	159	274	325	133	182	276	326
			n ₂ th				130	159	203	232	133	182	160	207
14.824	600	4.29	M ₂				165	90	149	72	300	148	266	131
			c				3.5	5.8	3.0	5.7	1.9	3.4	1.7	3.2
			n ₂ Eck				110	135	233	277	113	155	235	277
			n ₂ th				110	135	155	177	113	155	129	157
16.699	604	4.16	M ₂				186	102	168	82	339	168	300	148
			c				3.1	5.2	2.7	5.0	1.7	3.1	1.5	2.9
			n ₂ Eck				98	120	207	246	101	138	208	246
			n ₂ th				98	120	134	153	101	138	107	136
17.809	518	2.13	M ₂		104	64	200	110	180	88	362	180	321	158
			c		3.7	5.5	2.5	4.2	2.2	4.1	1.4	2.5	1.2	2.3
			n ₂ Eck		192	227	92	112	194	230	94	129	195	231
			n ₂ th		182	196	92	112	162	185	94	129	122	165
20.329	665	2.79	M ₂				227	124	205	100	413	205	365	180
			c				2.8	4.7	2.4	4.6	1.5	2.8	1.4	2.6
			n ₂ Eck				80	98	170	202	83	113	171	202
			n ₂ th				80	98	125	143	83	113	98	127
22.902	606	2.73	M ₂				258	141	233	114	466	232	413	204
			c				2.3	3.8	2.0	3.7	1.3	2.2	1.1	2.1
			n ₂ Eck				71	87	151	179	73	100	152	180
			n ₂ th				71	87	106	122	73	100	78	108
26.017	679	1.94	M ₂		152	95	293	161	264	130	530	264	469	232
			c		3.3	4.9	2.2	3.7	1.9	3.6	1.2	2.2	1.1	2.1
			n ₂ Eck		131	156	63	77	133	158	65	88	134	158
			n ₂ th		122	131	63	77	107	124	65	88	79	110
28.461	682	1.67	M ₂		167	104	321	177	290	142	580	289	514	254
			c		3.1	4.5	2.0	3.4	1.8	3.3	1.1	2.0	1.0	1.9
			n ₂ Eck		120	142	58	70	121	144	59	81	122	144
			n ₂ th		113	122	57	70	97	115	59	81	73	101
32.063	610	1.63	M ₂		189	118	363	200	328	162		327		288
			c		2.4	3.6	1.6	2.7	1.4	2.7		1.6		1.5
			n ₂ Eck		106	126	51	62	108	128		72		128
			n ₂ th		96	104	51	62	76	98		72		79

M ... [Nm]
n ... [r/min]
J ... [kgcm²]

P ... [kW]
I ... [A]
i [-]
c [-]



GKS [Nm]

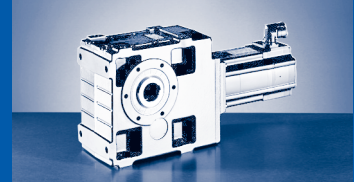
GKS□□-□A (MCA)

$M_{2GN} \leq 702 \text{ Nm}$

GKS06-3A				10IC40	13IC34	13IC41	14LC16	14LC20	14LC35	14LC41	17NC17	17NC23	17NC35	17NC41
				...S00	...F10	...S00	...F10	...S00	...F10	...S00	...F10	...S00	...F10	...S00
i	M _{2GN}	J _G	M ₁	2.00	6.30	4.00	12.00	6.70	10.80	5.40	21.50	10.80	19.00	9.50
			n ₁	3950	3410	4050	1635	2000	3455	4100	1680	2300	3480	4110
			I _{M400}	2.4	6.0	4.4	4.8	3.3	9.1	5.8	8.5	5.5	15.8	10.2
			P _N	0.80	2.20	1.70	2.10	1.40	3.90	2.30	3.80	2.60	6.90	4.10
			J _M	2.44	8.34	8.34	19.32	19.24	19.24	19.24	36.04	36.04	36.04	36.04
36.303	685	1.18	M ₂		214	134	411	227	371	183		370		326
			c		2.4	3.6	1.6	2.7	1.4	2.6		1.6		1.5
			n _{2 Eck}		94	112	45	55	95	113		63		113
			n _{2 th}		94	101	45	55	76	96		63		79
41.472	689	2.11	M ₂				471	260	424	210		424		373
			c				1.4	2.4	1.2	2.3		1.4		1.3
			n _{2 Eck}				39	48	83	99		56		99
			n _{2 th}				39	48	45	61		49		47
44.471	689	0.90	M ₂		263	165	505	279	455	225		454		400
			c		2.2	3.3	1.4	2.4	1.3	2.5		1.5		1.4
			n _{2 Eck}		77	91	37	45	78	92		52		92
			n _{2 th}		77	91	37	45	70	81		52		70
53.074	695	1.52	M ₂		315	198	604	334	544	269		543		478
			c		1.9	2.8	1.2	2.1	1.1	2.1		1.3		1.2
			n _{2 Eck}		64	76	31	38	65	77		43		77
			n _{2 th}		52	58	31	38	39	54		41		40
57.882	695	0.58	M ₂	105	344	216	659	365	594	294				
			c	5.2	1.7	2.6	1.1	1.9	1.0	1.9				
			n _{2 Eck}	68	59	70	28	35	60	71				
			n _{2 th}	68	59	70	28	35	58	62				
65.207	624	0.57	M ₂	120	389	245		413		333				
			c	4.2	1.4	2.1		1.5		1.5				
			n _{2 Eck}	61	52	62		31		63				
			n _{2 th}	61	52	62		31		55				
72.000	702	0.42	M ₂	132	429	270		456		367				
			c	4.2	1.4	2.1		1.5		1.6				
			n _{2 Eck}	55	47	56		28		57				
			n _{2 th}	55	47	56		28		50				
81.111	630	0.42	M ₂	150	485	306		515		415				
			c	3.4	1.1	1.7		1.2		1.2				
			n _{2 Eck}	49	42	50		25		51				
			n _{2 th}	49	42	50		25		44				
93.176	702	0.26	M ₂	173	557	352								
			c	3.3	1.1	1.6								
			n _{2 Eck}	42	37	44								
			n _{2 th}	42	37	43								
104.967	635	0.25	M ₂	196		398								
			c	2.6		1.3								
			n _{2 Eck}	38		39								
			n _{2 th}	38		39								
113.082	702	0.19	M ₂	210		427								
			c	3.0		1.5								
			n _{2 Eck}	35		36								
			n _{2 th}	35		36								
127.392	635	0.19	M ₂	238		483								
			c	2.4		1.2								
			n _{2 Eck}	31		32								
			n _{2 th}	31		32								
142.941	702	0.12	M ₂	268										
			c	2.4										
			n _{2 Eck}	28										
			n _{2 th}	28										

M ... [Nm]
 n ... [r/min]
 J ... [kgcm²]

P ... [kW]
 I ... [A]
 i [-]
 c [-]

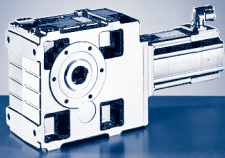


$M_{2GN} \leq 702 \text{ Nm}$

GKS06-3A				10IC40	13IC34	13IC41	14LC16	14LC20	14LC35	14LC41	17NC17	17NC23	17NC35	17NC41		
				...S00	...F10	...S00	...F10	...S00	...F10	...S00	...F10	...S00	...F10	...S00		
i	M_{2GN}	J_G	M_1	2.00	6.30	4.00	12.00	6.70	10.80	5.40	21.50	10.80	19.00	9.50		
			n_1	3950	3410	4050	1635	2000	3455	4100	1680	2300	3480	4110		
			I_{M400}	2.4	6.0	4.4	4.8	3.3	9.1	5.8	8.5	5.5	15.8	10.2		
			P_N	0.80	2.20	1.70	2.10	1.40	3.90	2.30	3.80	2.60	6.90	4.10		
			J_M	2.44	8.34	8.34	19.32	19.24	19.24	19.24	36.04	36.04	36.04	36.04		
161.029	635	0.12	M_2	303												
			c	1.9												
			n_2 Eck	25												
			n_2 th	25												
190.080	702	0.23	M_2	358												
			c	1.8												
			n_2 Eck	21												
			n_2 th	21												
214.133	635	0.23	M_2	405												
			c	1.4												
			n_2 Eck	19												
			n_2 th	18												
230.688	702	0.17	M_2	436												
			c	1.5												
			n_2 Eck	17												
			n_2 th	17												
259.880	635	0.17	M_2	493												
			c	1.2												
			n_2 Eck	15												
			n_2 th	15												
291.600	702	0.11	M_2	553												
			c	1.2												
			n_2 Eck	14												
			n_2 th	14												

M ... [Nm]
n ... [r/min]
J ... [kgcm²]

P ... [kW]
I ... [A]
i [-]
c [-]



GKS [Nm]

GKS□□-□A (MCA)

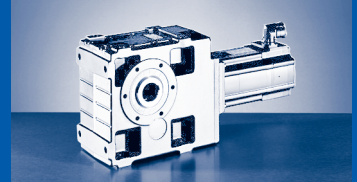
$M_{2GN} \leq 702 \text{ Nm}$

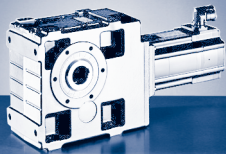
GKS06-4A				10IC40	13IC41
				...500	...500
i	M_{2GN}	J_G	M_1		
			n_1	3950	4050
			I_{M400}	2.4	4.4
			P_N	0.80	1.70
			J_M	2.44	8.34
103.721	685	0.30	M_2	190	386
			c	2.9	1.4
			$n_{2 \text{ Eck}}$	38	39
			$n_{2 \text{ th}}$	38	39
			M_2	208	422
113.205	537	0.23	c	2.3	1.2
			$n_{2 \text{ Eck}}$	35	36
			$n_{2 \text{ th}}$	35	36
			M_2	233	473
			c	2.7	1.3
127.059	689	0.26	$n_{2 \text{ Eck}}$	31	32
			$n_{2 \text{ th}}$	31	32
			M_2	261	
			c	1.9	
			$n_{2 \text{ Eck}}$	28	
140.816	537	0.21	$n_{2 \text{ th}}$	28	
			M_2	287	581
			c	2.2	1.1
			$n_{2 \text{ Eck}}$	25	26
			$n_{2 \text{ th}}$	25	26
174.336	537	0.11	M_2	324	
			c	1.5	
			$n_{2 \text{ Eck}}$	23	
			$n_{2 \text{ th}}$	23	
			M_2	376	
202.588	695	0.17	c	1.7	
			$n_{2 \text{ Eck}}$	20	
			$n_{2 \text{ th}}$	20	
			M_2	419	
			c	1.2	
224.524	537	0.07	$n_{2 \text{ Eck}}$	18	
			$n_{2 \text{ th}}$	18	
			M_2	469	
			c	1.4	
			$n_{2 \text{ Eck}}$	16	
252.000	702	0.16	$n_{2 \text{ th}}$	16	
			M_2	591	
			c	1.1	
			$n_{2 \text{ Eck}}$	13	
			$n_{2 \text{ th}}$	12	

$M \dots$ [Nm]
 $n \dots$ [r/min]
 $J \dots$ [kgcm²]

$P \dots$ [kW]
 $I \dots$ [A]
 i [-]
 c [-]

GKS [Nm]
GKS□□-□A (MCA)





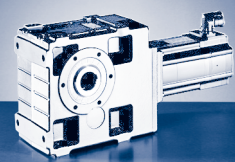
GKS [Nm]
GKS□□-□A (MCA)

$M_{2GN} \leq 1330 \text{ Nm}$

GKS07-3A				10IC40	13IC34	13IC41	14LC16	14LC20	14LC35	14LC41	17NC17	17NC23	
				...500	...F10	...500	...F10	...500	...F10	...500	...F10	...500	
i	M_{2GN}	J_G	M_1	2.00	6.30	4.00	12.00	6.70	10.80	5.40	21.50	10.80	
			n_1	3950	3410	4050	1635	2000	3455	4100	1680	2300	
			I_{M400}	2.4	6.0	4.4	4.8	3.3	9.1	5.8	8.5	5.5	
			P_N	0.80	2.20	1.70	2.10	1.40	3.90	2.30	3.80	2.60	
			J_M	2.44	8.34	8.34	19.32	19.24	19.24	19.24	36.04	36.04	
5.955	471	19.30	M_2								118		
			c								3.7		
			n_2 Eck									282	
			n_2 th									282	
8.254	541	11.80	M_2								165	81	
			c								3.1	5.5	
			n_2 Eck									204	279
			n_2 th									204	279
9.171	725	16.00	M_2								182		
			c								3.7		
			n_2 Eck									183	
			n_2 th									183	
10.124	800	15.88	M_2								201		
			c								3.7		
			n_2 Eck									166	
			n_2 th									166	
11.378	613	7.02	M_2				125		113		229	112	
			c				4.6		4.0		2.5	4.6	
			n_2 Eck				144		304		148	202	
			n_2 th				144		248		148	202	
12.711	832	10.16	M_2								254	124	
			c								3.1	5.5	
			n_2 Eck								132	181	
			n_2 th								132	181	
14.798	1040	14.31	M_2								295	144	
			c								3.3	5.9	
			n_2 Eck								114	155	
			n_2 th								114	153	
16.674	1071	13.97	M_2								333	163	
			c								3.0	5.4	
			n_2 Eck								101	138	
			n_2 th								101	134	
17.270	998	7.26	M_2				189		171		346	170	
			c				4.9		4.3		2.7	4.9	
			n_2 Eck				95		200		97	133	
			n_2 th				95		159		97	133	
20.511	1110	9.08	M_2								412	202	
			c								2.6	4.6	
			n_2 Eck								82	112	
			n_2 th								82	112	
23.111	1168	8.91	M_2								465	229	
			c								2.4	4.3	
			n_2 Eck								73	100	
			n_2 th								73	100	
25.244	1177	6.72	M_2				279		252		509	251	
			c				4.0		3.4		2.2	3.9	
			n_2 Eck				65		137		67	91	
			n_2 th				65		104		67	91	
28.274	1202	5.57	M_2				313		284	137	571	282	
			c				3.6		3.1	5.9	2.0	3.6	
			n_2 Eck				58		122	145	59	81	
			n_2 th				58		95	108	59	81	

M ... [Nm]
n ... [r/min]
J ... [kgcm²]

P ... [kW]
I ... [A]
i [-]
c [-]

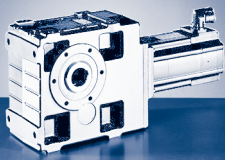


$M_{2GN} \leq 1330 \text{ Nm}$

17NC35	17NC41	19SC17	19SC23	19SC35	19SC42	21XC17	21XC25	21XC35	21XC42	GKS07-3A			
...F10	...S00	...F10	...S00	...F10	...S00	...F10	...S00	...F10	...S00	M_1	J_G	M_{2GN}	i
19.00	9.50	36.30	16.30	36.00	12.00	61.40	24.60	55.00	17.00	n_1			
3480	4110	1700	2340	3510	4150	1710	2490	3520	4160	I_{M400}			
15.8	10.2	13.9	8.2	28.7	14.0	22.5	13.5	42.5	19.8	P_N			
6.90	4.10	6.40	4.00	13.20	5.20	11.00	6.40	20.30	7.40	J_M			
36.04	36.04	72.12	72.12	72.04	72.12	180.04	180.04	180.04	180.04	M_2			
105		203	89	202	65	346	136	311	94	c			
3.3		2.2	4.4	1.7	4.9	1.3	2.9	1.1	3.5	$n_{2\text{Eck}}$	19.30	471	5.955
584		286	393	589	697	287	418	591	699	$n_{2\text{th}}$			
335		285	357	273	367	230	323	215	338				
146	71	282	124	281	91	481	190		131	M_2			
2.7	5.2	1.8	3.7	1.4	4.1	1.1	2.4		2.9	c			
422	498	206	284	425	503	207	302		504	$n_{2\text{Eck}}$	11.80	541	8.254
268	307	206	284	206	292	178	244		244	$n_{2\text{th}}$			
161		312	137	311	100	533	210	478	144	M_2			
3.3		2.2	4.4	1.7	4.9	1.3	2.9	1.1	3.5	c			
380		185	255	383	453	187	272	384	454	$n_{2\text{Eck}}$	16.00	725	9.171
217		185	232	177	238	150	210	140	220	$n_{2\text{th}}$			
178		345	151	343	111	589	232	528	159	M_2			
3.3		2.2	4.4	1.7	4.9	1.3	2.9	1.1	3.5	c			
344		168	231	347	410	169	246	348	411	$n_{2\text{Eck}}$	15.88	800	10.124
197		168	210	160	216	135	190	127	199	$n_{2\text{th}}$			
203	99	390	172	388	126		263		181	M_2			
2.3	4.3	1.5	3.0	1.2	3.4		2.0		2.4	c			
306	361	149	206	309	365		219		366	$n_{2\text{Eck}}$	7.02	613	11.378
220	252	149	206	162	215		177		177	$n_{2\text{th}}$			
225	110	434	191	433	140	741	293		201	M_2			
2.7	5.2	1.8	3.7	1.4	4.1	1.1	2.4		2.9	c			
274	323	134	184	276	327	135	196		327	$n_{2\text{Eck}}$	10.16	832	12.711
174	199	134	184	134	190	116	158		158	$n_{2\text{th}}$			
262	127	505	222	503	163	862	340	773	234	M_2			
2.9	5.6	2.0	3.9	1.6	4.4	1.2	2.5	1.0	3.1	c			
235	278	115	158	237	280	116	168	238	281	$n_{2\text{Eck}}$	14.31	1040	14.798
131	151	115	140	102	144	87	126	82	133	$n_{2\text{th}}$			
296	144	570	251	568	184	972	384		264	M_2			
2.7	5.1	1.8	3.6	1.4	4.0	1.1	2.3		2.8	c			
209	247	102	140	211	249	103	149		250	$n_{2\text{Eck}}$	13.97	1071	16.674
114	132	99	122	86	125	74	110		115	$n_{2\text{th}}$			
307	150	592	261	589	191		399		274	M_2			
2.4	4.6	1.6	3.2	1.3	3.6		2.1		2.6	c			
202	238	98	136	203	240		144		241	$n_{2\text{Eck}}$	7.26	998	17.270
141	162	98	136	104	142		117		117	$n_{2\text{th}}$			
365	179	703	311	700	228		474		326	M_2			
2.3	4.3	1.5	3.0	1.2	3.4		2.0		2.4	c			
170	200	83	114	171	202		121		203	$n_{2\text{Eck}}$	9.08	1110	20.511
103	119	83	110	75	113		98		98	$n_{2\text{th}}$			
412	202	793	351	789	257		535		368	M_2			
2.1	4.0	1.4	2.8	1.1	3.2		1.8		2.2	c			
151	178	74	101	152	180		108		180	$n_{2\text{Eck}}$	8.91	1168	23.111
90	104	73	96	65	99		84		87	$n_{2\text{th}}$			
451	221	868	384	863	282		586		403	M_2			
2.0	3.7	1.3	2.6	1.0	2.9		1.7		2.1	c			
138	163	67	93	139	164		99		165	$n_{2\text{Eck}}$	6.72	1177	25.244
91	106	67	93	64	97		80		80	$n_{2\text{th}}$			
506	249	973	431		317		657		452	M_2			
1.8	3.4	1.2	2.4		2.7		1.5		1.9	c			
123	145	60	83		147		88		147	$n_{2\text{Eck}}$	5.57	1202	28.274
81	97	60	83		87		71		71	$n_{2\text{th}}$			

M ... [Nm]
n ... [r/min]
J ... [kgcm²]

P ... [kW]
I ... [A]
i [-]
c [-]



GKS [Nm]

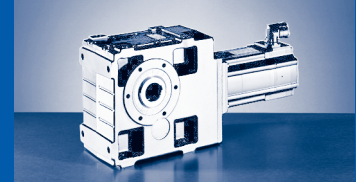
GKS□□-□A (MCA)

$M_{2GN} \leq 1330 \text{ Nm}$

GKS07-3A				10IC40	13IC34	13IC41	14LC16	14LC20	14LC35	14LC41	17NC17	17NC23
				...500	...F10	...500	...F10	...500	...F10	...500	...F10	...500
i	M_{2GN}	J_G	M_1	2.00	6.30	4.00	12.00	6.70	10.80	5.40	21.50	10.80
			n_1	3950	3410	4050	1635	2000	3455	4100	1680	2300
			I_{M400}	2.4	6.0	4.4	4.8	3.3	9.1	5.8	8.5	5.5
			P_N	0.80	2.20	1.70	2.10	1.40	3.90	2.30	3.80	2.60
			J_M	2.44	8.34	8.34	19.32	19.24	19.24	19.24	36.04	36.04
31.858	1172	5.47	M_2				355	194	321	156	646	320
			c				3.1	5.3	2.7	5.1	1.7	3.1
			$n_{2 \text{ Eck}}$				51	63	109	129	53	72
			$n_{2 \text{ th}}$				51	63	82	93	53	72
36.063	1290	3.65	M_2		208		402	220	364	177	731	362
			c		4.6		3.1	5.1	2.6	5.0	1.7	3.0
			$n_{2 \text{ Eck}}$		95		45	56	96	114	47	64
			$n_{2 \text{ th}}$		94		45	55	84	96	47	64
40.906	1290	6.93	M_2								831	412
			c								1.5	2.7
			$n_{2 \text{ Eck}}$								41	56
			$n_{2 \text{ th}}$								41	54
44.178	1300	2.78	M_2				495	270	446	218	898	444
			c				2.6	4.6	2.5	4.7	1.4	2.8
			$n_{2 \text{ Eck}}$				37	45	78	93	38	52
			$n_{2 \text{ th}}$				37	45	74	81	38	52
50.345	1300	5.30	M_2				566	310	510	250	1025	508
			c				2.3	4.1	2.2	4.1	1.3	2.5
			$n_{2 \text{ Eck}}$				33	40	69	81	33	46
			$n_{2 \text{ th}}$				32	40	47	54	33	46
57.501	1310	1.75	M_2		336	210	649	356	584	287	1173	582
			c		3.3	4.9	2.0	3.6	1.9	3.6	1.1	2.2
			$n_{2 \text{ Eck}}$		59	70	28	35	60	71	29	40
			$n_{2 \text{ th}}$		59	70	28	35	60	62	29	40
64.790	1195	1.73	M_2		381	238	734	404	661	326		659
			c		2.7	4.0	1.6	2.9	1.6	2.9		1.8
			$n_{2 \text{ Eck}}$		53	63	25	31	53	63		36
			$n_{2 \text{ th}}$		53	63	25	31	52	55		36
70.474	1320	1.30	M_2		414	259	798	439	719	354		717
			c		2.7	4.0	1.6	2.9	1.6	3.0		1.8
			$n_{2 \text{ Eck}}$		48	58	23	28	49	58		33
			$n_{2 \text{ th}}$		48	57	23	28	49	51		33
79.407	1205	1.28	M_2		469	295	902	498	812	401		811
			c		2.2	3.3	1.3	2.4	1.3	2.4		1.5
			$n_{2 \text{ Eck}}$		43	51	21	25	44	52		29
			$n_{2 \text{ th}}$		43	51	21	25	44	45		29
92.563	1330	0.81	M_2		548	344	1052	581	948	468		
			c		2.1	3.1	1.3	2.3	1.2	2.3		
			$n_{2 \text{ Eck}}$		37	44	18	22	37	44		
			$n_{2 \text{ th}}$		37	44	18	22	37	39		
104.296	1215	0.80	M_2	190	620	390	1189	658		530		
			c	5.1	1.7	2.5	1.0	1.8		1.9		
			$n_{2 \text{ Eck}}$	38	33	39	16	19		39		
			$n_{2 \text{ th}}$	38	33	39	16	19		34		
112.338	1330	0.59	M_2	203	666	419	1280	708	1151	570		
			c	5.7	1.9	2.8	1.0	1.9	1.1	2.1		
			$n_{2 \text{ Eck}}$	35	30	36	15	18	31	37		
			$n_{2 \text{ th}}$	35	30	36	15	18	31	32		
126.578	1215	0.59	M_2	231	753	474		801		645		
			c	4.6	1.5	2.3		1.5		1.7		
			$n_{2 \text{ Eck}}$	31	27	32		16		32		
			$n_{2 \text{ th}}$	31	27	32		16		28		

$M \dots$ [Nm]
 $n \dots$ [r/min]
 $J \dots$ [kgcm²]

$P \dots$ [kW]
 $I \dots$ [A]
 i [-]
 c [-]

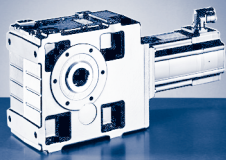


$M_{2GN} \leq 1330 \text{ Nm}$

17NC35	17NC41	19SC17	19SC23	19SC35	19SC42	21XC17	21XC25	21XC35	21XC42	GKS07-3A			
...F10	...S00	...F10	...S00	...F10	...S00	...F10	...S00	...F10	...S00	M_1	J_G	M_{2GN}	i
19.00	9.50	36.30	16.30	36.00	12.00	61.40	24.60	55.00	17.00	n_1			
3480	4110	1700	2340	3510	4150	1710	2490	3520	4160	I_{M400}			
15.8	10.2	13.9	8.2	28.7	14.0	22.5	13.5	42.5	19.8	P_N			
6.90	4.10	6.40	4.00	13.20	5.20	11.00	6.40	20.30	7.40	J_M			
36.04	36.04	72.12	72.12	72.04	72.12	180.04	180.04	180.04	180.04	M_2			
572	282	1098	488		358		742		511	c	5.47	1172	31.858
1.5	2.9	1.0	2.1		2.3		1.3		1.6	$n_{2 \text{ Eck}}$			
109	129	53	74		130		78		131	$n_{2 \text{ th}}$			
66	83	53	73		77		61		63				
647	319		553		406					M_2	3.65	1290	36.063
1.5	2.8		2.0		2.2				1.3	c			
97	114		65		115				131	$n_{2 \text{ Eck}}$			
67	86		65		68				63	$n_{2 \text{ th}}$			
736	363		628		461		954		658	M_2	6.93	1290	40.906
1.3	2.5		1.8		2.0		1.1		1.4	c			
85	101		57		102		61		102	$n_{2 \text{ Eck}}$			
40	53		47		50		37		41	$n_{2 \text{ th}}$			
794	392		678		498					M_2	2.78	1300	44.178
1.4	2.7		1.9		2.1				1.3	c			
79	93		53		94				83	$n_{2 \text{ Eck}}$			
60	70		53		55				36	$n_{2 \text{ th}}$			
906	448		774		569		1176		810	M_2	5.30	1300	50.345
1.2	2.3		1.6		1.8		1.1		1.3	c			
69	82		47		82		50		83	$n_{2 \text{ Eck}}$			
35	48		41		44		33		36	$n_{2 \text{ th}}$			
1037	513									M_2	1.75	1310	57.501
1.1	2.1								1.3	c			
61	72								83	$n_{2 \text{ Eck}}$			
49	54								36	$n_{2 \text{ th}}$			
	581									M_2	1.73	1195	64.790
	1.7								1.3	c			
	63								83	$n_{2 \text{ Eck}}$			
	48								36	$n_{2 \text{ th}}$			
	631									M_2	1.30	1320	70.474
	1.7								1.3	c			
	58								83	$n_{2 \text{ Eck}}$			
	44								36	$n_{2 \text{ th}}$			
	714									M_2	1.28	1205	79.407
	1.4								1.3	c			
	52								83	$n_{2 \text{ Eck}}$			
	39								36	$n_{2 \text{ th}}$			
										M_2	0.81	1330	92.563
									1.3	c			
									83	$n_{2 \text{ Eck}}$			
									36	$n_{2 \text{ th}}$			
										M_2	0.80	1215	104.296
									1.3	c			
									83	$n_{2 \text{ Eck}}$			
									36	$n_{2 \text{ th}}$			
										M_2	0.59	1330	112.338
									1.3	c			
									83	$n_{2 \text{ Eck}}$			
									36	$n_{2 \text{ th}}$			
										M_2	0.59	1215	126.578
									1.3	c			
									83	$n_{2 \text{ Eck}}$			
									36	$n_{2 \text{ th}}$			

M ... [Nm]
n ... [r/min]
J ... [kgcm²]

P ... [kW]
I ... [A]
i [-]
c [-]



GKS [Nm]

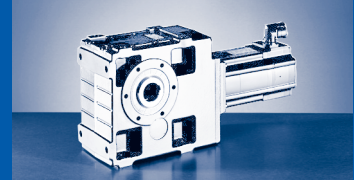
GKS□□-□A (MCA)

$M_{2GN} \leq 1330 \text{ Nm}$

GKS07-3A				10IC40	13IC34	13IC41	14LC16	14LC20	14LC35	14LC41	17NC17	17NC23
				...S00	...F10	...S00	...F10	...S00	...F10	...S00	...F10	...S00
i	M_{2GN}	J_G	M_1	2.00	6.30	4.00	12.00	6.70	10.80	5.40	21.50	10.80
			n_1	3950	3410	4050	1635	2000	3455	4100	1680	2300
			I_{M400}	2.4	6.0	4.4	4.8	3.3	9.1	5.8	8.5	5.5
			P_N	0.80	2.20	1.70	2.10	1.40	3.90	2.30	3.80	2.60
			J_M	2.44	8.34	8.34	19.32	19.24	19.24	19.24	36.04	36.04
140.548	1330	1.11	M_2		836	527		890		716		
			c		1.5	2.3		1.5		1.7		
			$n_{2 \text{ Eck}}$		24	29		14		29		
			$n_{2 \text{ th}}$		24	29		14		26		
158.364	1215	1.11	M_2		945	596		1006		809		
			c		1.2	1.8		1.2		1.4		
			$n_{2 \text{ Eck}}$		22	26		13		26		
			$n_{2 \text{ th}}$		22	26		13		23		
184.600	1330	0.69	M_2	342	1103	696		1173		944		
			c	3.5	1.2	1.7		1.1		1.3		
			$n_{2 \text{ Eck}}$	21	19	22		11		22		
			$n_{2 \text{ th}}$	21	18	22		11		19		
208.000	1215	0.69	M_2	388		787				1067		
			c	2.8		1.4				1.0		
			$n_{2 \text{ Eck}}$	19		20				20		
			$n_{2 \text{ th}}$	19		19				17		
224.037	1330	0.51	M_2	417		848				1149		
			c	2.9		1.4				1.0		
			$n_{2 \text{ Eck}}$	18		18				18		
			$n_{2 \text{ th}}$	18		18				16		
252.436	1215	0.51	M_2	473		958						
			c	2.3		1.2						
			$n_{2 \text{ Eck}}$	16		16						
			$n_{2 \text{ th}}$	16		16						
283.193	1330	0.33	M_2	531		1075						
			c	2.3		1.1						
			$n_{2 \text{ Eck}}$	14		14						
			$n_{2 \text{ th}}$	14		14						
319.091	1215	0.33	M_2	601								
			c	1.8								
			$n_{2 \text{ Eck}}$	12								
			$n_{2 \text{ th}}$	12								

$M \dots$ [Nm]
 $n \dots$ [r/min]
 $J \dots$ [kgcm²]

$P \dots$ [kW]
 $I \dots$ [A]
 i [-]
 c [-]

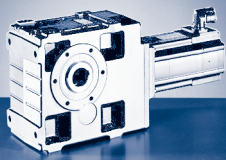


$M_{2GN} \leq 1330 \text{ Nm}$

17NC35	17NC41	19SC17	19SC23	19SC35	19SC42	21XC17	21XC25	21XC35	21XC42	GKS07-3A			
...F10	...S00	...F10	...S00	...F10	...S00	...F10	...S00	...F10	...S00	M_1	J_G	M_{2GN}	i
19.00	9.50	36.30	16.30	36.00	12.00	61.40	24.60	55.00	17.00	n_1			
3480	4110	1700	2340	3510	4150	1710	2490	3520	4160	I_{M400}			
15.8	10.2	13.9	8.2	28.7	14.0	22.5	13.5	42.5	19.8	P_N			
6.90	4.10	6.40	4.00	13.20	5.20	11.00	6.40	20.30	7.40	J_M			
36.04	36.04	72.12	72.12	72.04	72.12	180.04	180.04	180.04	180.04	M_2 c			
										n_{2Eck}	1.11	1330	140.548
										n_{2th}			
										M_2 c			
										n_{2Eck}	1.11	1215	158.364
										n_{2th}			
										M_2 c			
										n_{2Eck}	0.69	1330	184.600
										n_{2th}			
										M_2 c			
										n_{2Eck}	0.69	1215	208.000
										n_{2th}			
										M_2 c			
										n_{2Eck}	0.51	1330	224.037
										n_{2th}			
										M_2 c			
										n_{2Eck}	0.51	1215	252.436
										n_{2th}			
										M_2 c			
										n_{2Eck}	0.33	1330	283.193
										n_{2th}			
										M_2 c			
										n_{2Eck}	0.33	1215	319.091
										n_{2th}			

M ... [Nm]
n ... [r/min]
J ... [kgcm²]

P ... [kW]
I ... [A]
i [-]
c [-]



GKS [Nm]

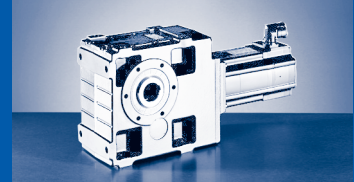
GKS□□-□A (MCA)

$M_{2GN} \leq 1330 \text{ Nm}$

GKS07-4A				10IC40	13IC34	13IC41	14LC16	14LC20	14LC35	14LC41
				...500	...F10	...500	...F10	...500	...F10	...500
i	M_{2GN}	J_G	M_1							
			n_1	3950	3410	4050	1635	2000	3455	4100
			I_{M400}	2.4	6.0	4.4	4.8	3.3	9.1	5.8
			P_N	0.80	2.20	1.70	2.10	1.40	3.90	2.30
			J_M	2.44	8.34	8.34	19.32	19.24	19.24	19.24
103.039	1290	0.84	M_2	183	601	378	1153	638	1038	514
			c	5.5	1.8	2.7	1.1	2.0	1.1	2.0
			$n_{2 \text{ Eck}}$	38	33	39	16	19	34	40
			$n_{2 \text{ th}}$	38	33	39	16	19	34	35
112.391	1053	0.63	M_2	202	657	414		699		563
			c	4.6	1.5	2.3		1.5		1.7
			$n_{2 \text{ Eck}}$	35	30	36		18		37
			$n_{2 \text{ th}}$	35	30	36		18		32
126.222	1300	0.73	M_2	226	737	464		784		631
			c	5.0	1.7	2.5		1.7		1.8
			$n_{2 \text{ Eck}}$	31	27	32		16		33
			$n_{2 \text{ th}}$	31	27	32		16		28
137.748	1053	0.57	M_2	250	808	510		860		692
			c	3.7	1.3	1.9		1.2		1.4
			$n_{2 \text{ Eck}}$	29	25	29		15		30
			$n_{2 \text{ th}}$	29	25	29		15		26
154.622	1300	0.53	M_2	279	906	571		964		775
			c	4.1	1.4	2.0		1.3		1.5
			$n_{2 \text{ Eck}}$	26	22	26		13		27
			$n_{2 \text{ th}}$	26	22	26		13		23
179.201	1053	0.28	M_2	328		666				
			c	2.9		1.4				
			$n_{2 \text{ Eck}}$	22		23				
			$n_{2 \text{ th}}$	22		23				
201.254	1310	0.45	M_2	367	1183	747		1258		1013
			c	3.2	1.1	1.6		1.0		1.2
			$n_{2 \text{ Eck}}$	20	17	20		10		20
			$n_{2 \text{ th}}$	20	17	20		10		18
222.909	1053	0.20	M_2	410		831				
			c	2.3		1.2				
			$n_{2 \text{ Eck}}$	18		18				
			$n_{2 \text{ th}}$	18		18				
246.659	1320	0.42	M_2	453		918				
			c	2.6		1.3				
			$n_{2 \text{ Eck}}$	16		16				
			$n_{2 \text{ th}}$	16		16				
273.199	1053	0.18	M_2	505						
			c	1.9						
			$n_{2 \text{ Eck}}$	15						
			$n_{2 \text{ th}}$	14						
321.049	1320	0.26	M_2	593						
			c	2.0						
			$n_{2 \text{ Eck}}$	12						
			$n_{2 \text{ th}}$	12						
358.829	1053	0.17	M_2	667						
			c	1.4						
			$n_{2 \text{ Eck}}$	11						
			$n_{2 \text{ th}}$	11						
399.353	1320	0.18	M_2	741						
			c	1.6						
			$n_{2 \text{ Eck}}$	10						
			$n_{2 \text{ th}}$	10						

$M \dots$ [Nm]
 $n \dots$ [r/min]
 $J \dots$ [kgcm²]

$P \dots$ [kW]
 $I \dots$ [A]
 i [-]
 c [-]

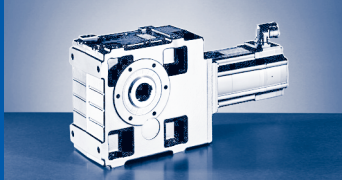


$M_{2GN} \leq 1330 \text{ Nm}$

GKS07-4A				10IC40	13IC34	13IC41	14LC16	14LC20	14LC35	14LC41
				...S00	...F10	...S00	...F10	...S00	...F10	...S00
i	M_{2GN}	J_G	M_1							
			n_1	2.00	6.30	4.00	12.00	6.70	10.80	5.40
			I_{M400}	3950	3410	4050	1635	2000	3455	4100
			P_N	2.4	6.0	4.4	4.8	3.3	9.1	5.8
			J_M	0.80	2.20	1.70	2.10	1.40	3.90	2.30
			M_2	2.44	8.34	8.34	19.32	19.24	19.24	19.24
464.367	1053	0.11	c	866						
			$n_{2 \text{ Eck}}$	1.1						
			$n_{2 \text{ th}}$	9						
				9						
516.810	1320	0.11	M_2	963						
			c	1.3						
			$n_{2 \text{ Eck}}$	8						
			$n_{2 \text{ th}}$	8						
636.581	1330	0.16	M_2	1189						
			c	1.0						
			$n_{2 \text{ Eck}}$	6						
			$n_{2 \text{ th}}$	6						

M ... [Nm]
n ... [r/min]
J ... [kgcm²]

P ... [kW]
I ... [A]
i [-]
c [-]



GKS [Nm]

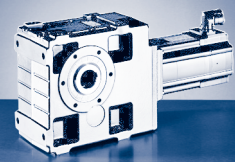
GKS□□-□A (MCA)

$M_{2GN} \leq 3080 \text{ Nm}$

GKS09-3A				14LC16	14LC20	14LC35	14LC41	17NC17	17NC23	17NC35	17NC41
				...F10	...S00	...F10	...S00	...F10	...S00	...F10	...S00
i	M_{2GN}	J_G	M_1								
			n_1	12.00	6.70	10.80	5.40	21.50	10.80	19.00	9.50
			I_{M400}	1635	2000	3455	4100	1680	2300	3480	4110
			P_N	4.8	3.3	9.1	5.8	8.5	5.5	15.8	10.2
			J_M	2.10	1.40	3.90	2.30	3.80	2.60	6.90	4.10
			M_2	19.32	19.24	19.24	19.24	36.04	36.04	36.04	36.04
			c								
12.283	1615	34.20	$n_{2 \text{ Eck}}$								
			$n_{2 \text{ th}}$								
			M_2								
			c								
13.360	1757	33.40	$n_{2 \text{ Eck}}$								
			$n_{2 \text{ th}}$								
			M_2								
			c					314		280	
16.122	1801	22.60	$n_{2 \text{ Eck}}$					5.3		4.7	
			$n_{2 \text{ th}}$					104		216	
			M_2					104		141	
			c								
17.536	1958	22.20	$n_{2 \text{ Eck}}$					342		304	
			$n_{2 \text{ th}}$					5.3		4.7	
			M_2					96		199	
			c					96		129	
			$n_{2 \text{ Eck}}$								
			$n_{2 \text{ th}}$								
19.541	2570	30.60	M_2								
			c								
			$n_{2 \text{ Eck}}$								
			$n_{2 \text{ th}}$								
22.022	2672	29.90	M_2								
			c								
			$n_{2 \text{ Eck}}$								
			$n_{2 \text{ th}}$								
			M_2								
			c					500		445	
25.649	2862	20.50	$n_{2 \text{ Eck}}$					5.3		4.7	
			$n_{2 \text{ th}}$					66		136	
			M_2					66		88	
			c								
29.228	2914	15.90	$n_{2 \text{ Eck}}$					574		510	
			$n_{2 \text{ th}}$					4.7		4.2	
			M_2					58		119	
			c					57		83	
			$n_{2 \text{ Eck}}$								
			$n_{2 \text{ th}}$								
32.940	2984	15.60	M_2								
			c					650		577	
			$n_{2 \text{ Eck}}$					4.3		3.8	
			$n_{2 \text{ th}}$					51		106	
			M_2					51		72	
			c								
35.193	2670	12.20	$n_{2 \text{ Eck}}$			344					
			$n_{2 \text{ th}}$			5.6					
			M_2			98					
			c			83					
			$n_{2 \text{ Eck}}$								
			$n_{2 \text{ th}}$								
35.193	3029	12.20	M_2								
			c					696		618	
			$n_{2 \text{ Eck}}$					4.1		3.6	
			$n_{2 \text{ th}}$					48		99	
			M_2					48		75	
			c								
39.662	3002	12.00	$n_{2 \text{ Eck}}$			387		788		699	339
			$n_{2 \text{ th}}$			5.6		3.6		3.2	6.0
			M_2			87		42		88	104
			c			73		42		65	74
			$n_{2 \text{ Eck}}$								
			$n_{2 \text{ th}}$								
43.146	3024	9.00	M_2								
			c					859		760	
			$n_{2 \text{ Eck}}$					3.4		3.3	
			$n_{2 \text{ th}}$					39		81	
			M_2					39		66	
			c								

$M \dots$ [Nm]
 $n \dots$ [r/min]
 $J \dots$ [kgcm²]

$P \dots$ [kW]
 $I \dots$ [A]
 i [-]
 c [-]

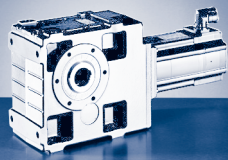


$M_{2GN} \leq 3080 \text{ Nm}$

195C17	195C23	195C35	195C42	21XC17	21XC25	21XC35	21XC42	GKS09-3A			
...F10	...S00	...F10	...S00	...F10	...S00	...F10	...S00	M_1	J_G	M_{2GN}	i
36.30	16.30	36.00	12.00	61.40	24.60	55.00	17.00	n_1			
1700	2340	3510	4150	1710	2490	3520	4160	I_{M400}			
13.9	8.2	28.7	14.0	22.5	13.5	42.5	19.8	P_N			
6.40	4.00	13.20	5.20	11.00	6.40	20.30	7.40	J_M			
72.12	72.12	72.04	72.12	180.04	180.04	180.04	180.04	M_2			
412		412		708	276	636	188	c			
3.7		2.9		2.2	4.8	1.9	5.8	$n_{2 \text{ Eck}}$	34.20	1615	12.283
138		286		139	203	287	339	$n_{2 \text{ th}}$			
138		146		135	163	129	164				
448		448		770	300	691	205	M_2			
3.7		2.9		2.2	4.8	1.9	5.8	c	33.40	1757	13.360
127		263		128	186	264	311	$n_{2 \text{ Eck}}$			
127		134		124	150	119	151	$n_{2 \text{ th}}$			
544		543		932	365	837	250	M_2			
3.1		2.5		1.8	4.0	1.6	4.9	c	22.60	1801	16.122
105		218		106	154	218	258	$n_{2 \text{ Eck}}$			
105		122		106	125	103	125	$n_{2 \text{ th}}$			
591		590		1014	397	910	271	M_2			
3.1		2.5		1.8	4.0	1.6	4.9	c	22.20	1958	17.536
97		200		98	142	201	237	$n_{2 \text{ Eck}}$			
97		112		98	115	95	115	$n_{2 \text{ th}}$			
655		655		1126	439	1011	300	M_2			
3.7		2.9		2.2	4.8	1.9	5.8	c	30.60	2570	19.541
87		180		88	127	180	213	$n_{2 \text{ Eck}}$			
87		91		85	102	81	103	$n_{2 \text{ th}}$			
740		740		1271	496	1141	339	M_2			
3.4		2.7		2.0	4.4	1.8	5.4	c	29.90	2672	22.022
77		159		78	113	160	189	$n_{2 \text{ Eck}}$			
77		80		74	89	69	91	$n_{2 \text{ th}}$			
865		864		1483	580	1331	397	M_2			
3.1		2.5		1.8	4.0	1.6	4.9	c	20.50	2862	25.649
66		137		67	97	137	162	$n_{2 \text{ Eck}}$			
66		77		67	79	65	79	$n_{2 \text{ th}}$			
989	431	987		1693	664	1520	455	M_2			
2.8	5.6	2.2		1.6	3.6	1.4	4.4	c	15.90	2914	29.228
58	80	120		59	85	120	142	$n_{2 \text{ Eck}}$			
58	80	72		59	69	58	69	$n_{2 \text{ th}}$			
1118	488	1115	357	1911	751	1715	515	M_2			
2.5	5.1	2.0	5.7	1.5	3.3	1.3	4.0	c	15.60	2984	32.940
52	71	107	126	52	76	107	126	$n_{2 \text{ Eck}}$			
52	71	62	74	52	61	49	61	$n_{2 \text{ th}}$			
								M_2			
								c	12.20	2670	35.193
								$n_{2 \text{ Eck}}$			
								$n_{2 \text{ th}}$			
1196	523	1192	383	2044	804	1834	552	M_2			
2.4	4.8	1.9	5.4	1.4	3.1	1.2	3.8	c	12.20	3029	35.193
48	67	100	118	49	71	100	118	$n_{2 \text{ Eck}}$			
48	66	64	70	49	57	50	57	$n_{2 \text{ th}}$			
1352	593	1347	434	2307	910	2070	625	M_2			
2.1	4.2	1.7	4.7	1.2	2.7	1.1	3.3	c	12.00	3002	39.662
43	59	89	105	43	63	89	105	$n_{2 \text{ Eck}}$			
43	59	53	62	43	51	42	51	$n_{2 \text{ th}}$			
1472	644	1464	471	2511	988	2251	678	M_2			
2.0	4.4	1.8	5.0	1.2	2.9	1.2	3.5	c	9.00	3024	43.146
39	54	81	96	40	58	82	96	$n_{2 \text{ Eck}}$			
39	54	55	57	40	47	45	47	$n_{2 \text{ th}}$			

$M \dots$ [Nm]
 $n \dots$ [r/min]
 $J \dots$ [kgcm²]

$P \dots$ [kW]
 $I \dots$ [A]
 i [-]
 c [-]



GKS [Nm]

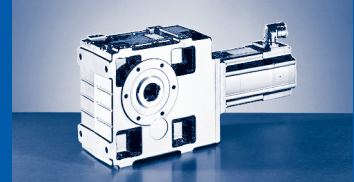
GKS□□-□A (MCA)

$M_{2GN} \leq 3080 \text{ Nm}$

GKS09-3A				14LC16	14LC20	14LC35	14LC41	17NC17	17NC23	17NC35	17NC41
				...F10	...500	...F10	...500	...F10	...500	...F10	...500
i	M_{2GN}	J_G	M_1								
			n_1	12.00	6.70	10.80	5.40	21.50	10.80	19.00	9.50
			I_{M400}	1635	2000	3455	4100	1680	2300	3480	4110
			P_N	4.8	3.3	9.1	5.8	8.5	5.5	15.8	10.2
			J_M	2.10	1.40	3.90	2.30	3.80	2.60	6.90	4.10
			M_2	19.32	19.24	19.24	19.24	36.04	36.04	36.04	36.04
48.625	3017	8.87	c					972	473	860	418
			$n_{2\text{ Eck}}$					3.0	6.0	3.0	5.6
			$n_{2\text{ th}}$					35	47	72	85
								35	47	57	64
58.456	2977	5.54	M_2	642		579					
			c	4.5		4.3					
			$n_{2\text{ Eck}}$	28		59					
			$n_{2\text{ th}}$	28		59					
58.456	3031	5.54	M_2					1174	575	1039	507
			c					2.5	5.0	2.5	4.7
			$n_{2\text{ Eck}}$					29	39	60	70
			$n_{2\text{ th}}$					29	39	53	53
65.879	3048	5.47	M_2	727		655		1327	651	1174	575
			c	4.1		3.9		2.3	4.4	2.2	4.2
			$n_{2\text{ Eck}}$	25		52		26	35	53	62
			$n_{2\text{ th}}$	25		52		26	35	47	47
70.982	3031	4.14	M_2	786		708		1433	704	1267	621
			c	3.8		3.6		2.1	4.1	2.0	3.8
			$n_{2\text{ Eck}}$	23		49		24	32	49	58
			$n_{2\text{ th}}$	23		49		24	32	44	44
79.996	3071	4.10	M_2	889		801		1619	797	1431	703
			c	3.4		3.2		1.9	3.7	1.8	3.5
			$n_{2\text{ Eck}}$	20		43		21	29	44	51
			$n_{2\text{ th}}$	20		43		21	29	39	39
91.860	3031	2.63	M_2	1026	559	925	450	1864	921	1648	812
			c	2.9	5.2	2.8	5.2	1.6	3.2	1.6	3.0
			$n_{2\text{ Eck}}$	18	22	38	45	18	25	38	45
			$n_{2\text{ th}}$	18	22	38	39	18	25	34	34
103.524	3080	2.61	M_2	1160	633	1045	510	2104	1041	1860	918
			c	2.6	4.7	2.5	4.7	1.5	2.9	1.4	2.7
			$n_{2\text{ Eck}}$	16	19	33	40	16	22	34	40
			$n_{2\text{ th}}$	16	19	33	35	16	22	30	30
111.484	3031	1.92	M_2	1252	685	1125	549	2269	1124	2003	988
			c	2.4	4.3	2.5	4.8	1.3	2.7	1.4	2.7
			$n_{2\text{ Eck}}$	15	18	31	37	15	21	31	37
			$n_{2\text{ th}}$	15	18	31	32	15	21	28	28
125.641	3080	1.90	M_2	1415	776	1272	622	2560	1270	2261	1116
			c	2.2	3.9	2.3	4.3	1.2	2.4	1.3	2.5
			$n_{2\text{ Eck}}$	13	16	28	33	13	18	28	33
			$n_{2\text{ th}}$	13	16	28	29	13	18	25	25
140.921	2973	1.26	M_2	1591	874	1430	702				
			c	1.9	3.4	2.0	3.8				
			$n_{2\text{ Eck}}$	12	14	25	29				
			$n_{2\text{ th}}$	12	14	25	25				
158.816	3080	1.25	M_2	1797	989	1615	794				
			c	1.7	3.1	1.8	3.4				
			$n_{2\text{ Eck}}$	10	13	22	26				
			$n_{2\text{ th}}$	10	13	22	23				
182.000	3031	2.25	M_2	2064	1139	1856	915		1855		1631
			c	1.5	2.6	1.6	2.9		1.6		1.7
			$n_{2\text{ Eck}}$	9	11	19	23		13		23
			$n_{2\text{ th}}$	9	11	19	20		13		17

M ... [Nm]
n ... [r/min]
J ... [kgcm²]

P ... [kW]
I ... [A]
i [-]
c [-]

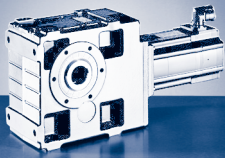


$M_{2GN} \leq 3080 \text{ Nm}$

195C17	195C23	195C35	195C42	21XC17	21XC25	21XC35	21XC42	GKS09-3A			
...F10	...S00	...F10	...S00	...F10	...S00	...F10	...S00	M_1	J_G	M_{2GN}	i
36.30	16.30	36.00	12.00	61.40	24.60	55.00	17.00	n_1			
1700	2340	3510	4150	1710	2490	3520	4160	I_{M400}			
13.9	8.2	28.7	14.0	22.5	13.5	42.5	19.8	P_N			
6.40	4.00	13.20	5.20	11.00	6.40	20.30	7.40	J_M			
72.12	72.12	72.04	72.12	180.04	180.04	180.04	180.04	M_2			
1662	730	1653	534	2834	1118	2540	768	c	8.87	3017	48.625
1.8	3.9	1.6	4.4	1.1	2.6	1.0	3.1	$n_{2\text{ Eck}}$			
35	48	72	85	35	51	72	86	$n_{2\text{ th}}$			
35	48	46	50	35	41	38	41	M_2			
								c	5.54	2977	58.456
								$n_{2\text{ Eck}}$			
								$n_{2\text{ th}}$			
2005	883	1993	647					M_2			
1.5	3.3	1.3	3.7					c	5.54	3031	58.456
29	40	60	71					$n_{2\text{ Eck}}$			
29	40	42	42					$n_{2\text{ th}}$			
2263	999	2249	733					M_2			
1.3	2.9	1.2	3.3					c	5.47	3048	65.879
26	36	53	63					$n_{2\text{ Eck}}$			
26	36	36	37					$n_{2\text{ th}}$			
2441	1079	2425	792					M_2			
1.2	2.7	1.1	3.0					c	4.14	3031	70.982
24	33	50	59					$n_{2\text{ Eck}}$			
24	33	35	35					$n_{2\text{ th}}$			
2755	1220		895					M_2			
1.1	2.4		2.7					c	4.10	3071	79.996
21	29		52					$n_{2\text{ Eck}}$			
21	29		31					$n_{2\text{ th}}$			
								M_2			
								c	2.63	3031	91.860
								$n_{2\text{ Eck}}$			
								$n_{2\text{ th}}$			
								M_2			
								c	2.61	3080	103.524
								$n_{2\text{ Eck}}$			
								$n_{2\text{ th}}$			
								M_2			
								c	1.92	3031	111.484
								$n_{2\text{ Eck}}$			
								$n_{2\text{ th}}$			
								M_2			
								c	1.90	3080	125.641
								$n_{2\text{ Eck}}$			
								$n_{2\text{ th}}$			
								M_2			
								c	1.26	2973	140.921
								$n_{2\text{ Eck}}$			
								$n_{2\text{ th}}$			
								M_2			
								c	1.25	3080	158.816
								$n_{2\text{ Eck}}$			
								$n_{2\text{ th}}$			
								M_2			
								c	2.25	3031	182.000
								$n_{2\text{ Eck}}$			
								$n_{2\text{ th}}$			

M ... [Nm]
n ... [r/min]
J ... [kgcm²]

P ... [kW]
I ... [A]
i [-]
c [-]



GKS [Nm]

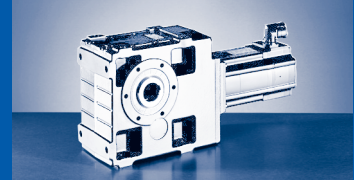
GKS□□-□A (MCA)

$M_{2GN} \leq 3080 \text{ Nm}$

GKS09-3A				14LC16	14LC20	14LC35	14LC41	17NC17	17NC23	17NC35	17NC41
				...F10	...500	...F10	...500	...F10	...500	...F10	...500
i	M_{2GN}	J_G	M_1								
			n_1	12.00	6.70	10.80	5.40	21.50	10.80	19.00	9.50
			I_{M400}	1635	2000	3455	4100	1680	2300	3480	4110
			P_N	4.8	3.3	9.1	5.8	8.5	5.5	15.8	10.2
			J_M	2.10	1.40	3.90	2.30	3.80	2.60	6.90	4.10
			M_2	19.32	19.24	19.24	19.24	36.04	36.04	36.04	36.04
			c	2330	1287	2095	1034		2094		1841
205.111	3080	2.24	$n_{2 \text{ Eck}}$	1.3	2.4	1.4	2.6		1.5		1.5
			$n_{2 \text{ th}}$	8	10	17	20		11		20
				8	10	17	18		11		15
			M_2	2512	1389	2259	1116		2258		1985
220.882	3031	1.66	c	1.2	2.2	1.3	2.4		1.3		1.4
			$n_{2 \text{ Eck}}$	7	9	16	19		10		19
			$n_{2 \text{ th}}$	7	9	16	16		10		14
			M_2	2835	1568	2550	1261		2548		2241
248.930	3080	1.65	c	1.1	1.9	1.2	2.2		1.2		1.2
			$n_{2 \text{ Eck}}$	7	8	14	17		9		17
			$n_{2 \text{ th}}$	7	8	14	14		9		13
			M_2		1764	2864	1418				
279.205	3031	1.10	c		1.7	1.0	1.9				
			$n_{2 \text{ Eck}}$		7	12	15				
			$n_{2 \text{ th}}$		7	12	13				
			M_2		1991		1602				
314.659	3080	1.10	c		1.5		1.7				
			$n_{2 \text{ Eck}}$		6		13				
			$n_{2 \text{ th}}$		6		11				

M ... [Nm]
 n ... [r/min]
 J ... [kgcm²]

P ... [kW]
 I ... [A]
 i [-]
 c [-]

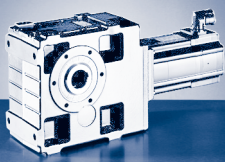


$M_{2GN} \leq 3080 \text{ Nm}$

195C17	195C23	195C35	195C42	21XC17	21XC25	21XC35	21XC42	GKS09-3A			
...F10	...S00	...F10	...S00	...F10	...S00	...F10	...S00	M_1	J_G	M_{2GN}	i
36.30	16.30	36.00	12.00	61.40	24.60	55.00	17.00	n_1			
1700	2340	3510	4150	1710	2490	3520	4160	I_{M400}			
13.9	8.2	28.7	14.0	22.5	13.5	42.5	19.8	P_N			
6.40	4.00	13.20	5.20	11.00	6.40	20.30	7.40	J_M			
72.12	72.12	72.04	72.12	180.04	180.04	180.04	180.04	M_2 c			
								$n_{2\text{ Eck}}$	2.24	3080	205.111
								$n_{2\text{ th}}$			
								M_2 c			
								$n_{2\text{ Eck}}$	1.66	3031	220.882
								$n_{2\text{ th}}$			
								M_2 c			
								$n_{2\text{ Eck}}$	1.65	3080	248.930
								$n_{2\text{ th}}$			
								M_2 c			
								$n_{2\text{ Eck}}$	1.10	3031	279.205
								$n_{2\text{ th}}$			
								M_2 c			
								$n_{2\text{ Eck}}$	1.10	3080	314.659
								$n_{2\text{ th}}$			

M ... [Nm]
n ... [r/min]
J ... [kgcm²]

P ... [kW]
I ... [A]
i [-]
c [-]



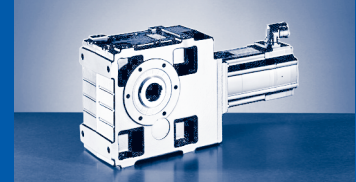
GKS [Nm] GKS□□-□A (MCA)

$M_{2GN} \leq 3080 \text{ Nm}$

GKS09-4A				10IC40	13IC34	13IC41	14LC16	14LC20	14LC35	14LC41	17NC17	17NC23	17NC35	17NC41
				...S00	...F10	...S00	...F10	...S00	...F10	...S00	...F10	...S00	...F10	...S00
i	M_{2GN}	J_G	M_1	2.00	6.30	4.00	12.00	6.70	10.80	5.40	21.50	10.80	19.00	9.50
			n_1	3950	3410	4050	1635	2000	3455	4100	1680	2300	3480	4110
			I_{M400}	2.4	6.0	4.4	4.8	3.3	9.1	5.8	8.5	5.5	15.8	10.2
			P_N	0.80	2.20	1.70	2.10	1.40	3.90	2.30	3.80	2.60	6.90	4.10
			J_M	2.44	8.34	8.34	19.32	19.24	19.24	19.24	36.04	36.04	36.04	36.04
			M_2		570		1106	603	997	486	2008	993	1775	875
100.551	3029	2.48	c	4.4			2.7	4.8	2.6	4.9	1.5	2.9	1.5	2.8
			$n_{2 \text{ Eck}}$	34			16	20	34	41	17	23	35	41
			$n_{2 \text{ th}}$	34			16	20	34	36	17	23	31	31
			M_2		643		1251	684	1124	549	2267	1123	2001	987
113.320	3002	2.46	c	4.3			2.4	4.2	2.5	4.7	1.3	2.6	1.4	2.7
			$n_{2 \text{ Eck}}$	30			14	18	31	36	15	20	31	36
			$n_{2 \text{ th}}$	30			14	18	30	32	15	20	27	27
			M_2		702	436	1364	747	1226	599	2469	1224	2180	1076
123.275	3024	2.11	c	4.0	5.9		2.2	3.9	2.3	4.4	1.2	2.4	1.3	2.5
			$n_{2 \text{ Eck}}$	28	33	13	16	28	33	14	19	28	33	
			$n_{2 \text{ th}}$	28	33	13	16	28	29	14	19	25	25	
			M_2		795	495	1541	846	1385	679	2787	1384	2460	1216
138.929	3017	2.09	c	3.5	5.3		1.9	3.5	2.1	3.9	1.1	2.2	1.2	2.2
			$n_{2 \text{ Eck}}$	25	29	12	14	25	30	12	17	25	30	
			$n_{2 \text{ th}}$	25	29	12	14	25	26	12	17	22	22	
			M_2		867	541	1678	922	1508	740		1507	2677	1325
151.012	3024	1.52	c	3.3	4.9		1.8	3.2	1.9	3.6		2.0	1.1	2.0
			$n_{2 \text{ Eck}}$	23	27	11	13	23	27	24		15	23	27
			$n_{2 \text{ th}}$	23	27	11	13	23	24		15	21	21	
			M_2		981	613	1895	1044	1704	838		1702		1497
170.188	3017	1.51	c	2.9	4.3		1.6	2.8	1.7	3.2		1.8		1.8
			$n_{2 \text{ Eck}}$	20	24	10	12	20	24		14		24	
			$n_{2 \text{ th}}$	20	24	10	12	20	21		14		18	
			M_2		1185	743	2285	1261	2054	1013		2053		1805
204.596	3031	1.24	c	2.4	3.6		1.3	2.4	1.4	2.7		1.5		1.5
			$n_{2 \text{ Eck}}$	17	20	8	10	17	20		11		20	
			$n_{2 \text{ th}}$	17	20	8	10	17	18		11		15	
			M_2		1340	841	2579	1425	2319	1146		2317		2038
230.577	3048	1.24	c	2.2	3.2		1.2	2.1	1.3	2.4		1.3		1.3
			$n_{2 \text{ Eck}}$	15	18	7	9	15	18		10		18	
			$n_{2 \text{ th}}$	15	18	7	9	15	16		10		13	
			M_2		1446	908	2781	1538	2501	1237		2500		2198
248.439	3031	1.13	c	2.0	3.0		1.1	2.0	1.2	2.2		1.2		1.2
			$n_{2 \text{ Eck}}$	14	16	7	8	14	17		9		17	
			$n_{2 \text{ th}}$	14	16	7	8	14	14		9		13	
			M_2		1633	1027		1737	2822	1397		2821		2481
279.986	3071	1.13	c	1.8	2.7			1.8	1.0	2.0		1.1		1.1
			$n_{2 \text{ Eck}}$	12	15			7	12	15		8		15
			$n_{2 \text{ th}}$	12	14			7	12	13		8		11
			M_2		581	1891	1191		2012		1619			
323.365	3031	0.71	c	4.6	1.5			1.5		1.7				
			$n_{2 \text{ Eck}}$	12	11			6		13				
			$n_{2 \text{ th}}$	12	11			6		11				
			M_2		658	2135	1346		2271		1828			
364.427	3071	0.71	c	4.1	1.4			1.4		1.5				
			$n_{2 \text{ Eck}}$	11	9			6		11				
			$n_{2 \text{ th}}$	11	9			5		10				
			M_2		730	2360	1489		2511		2021			
402.234	3031	0.51	c	3.7	1.2			1.2		1.4				
			$n_{2 \text{ Eck}}$	10	9			5		10				
			$n_{2 \text{ th}}$	10	8			5		9				

$M \dots$ [Nm]
 $n \dots$ [r/min]
 $J \dots$ [kgcm²]

$P \dots$ [kW]
 $I \dots$ [A]
 i [-]
 c [-]

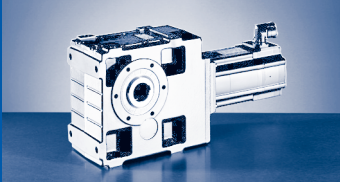


$M_{2GN} \leq 3080 \text{ Nm}$

GKS09-4A				10IC40	13IC34	13IC41	14LC16	14LC20	14LC35	14LC41	17NC17	17NC23	17NC35	17NC41
				...S00	...F10	...S00	...F10	...S00	...F10	...S00	...F10	...S00	...F10	...S00
i	M _{2GN}	J _G	M ₁	2.00	6.30	4.00	12.00	6.70	10.80	5.40	21.50	10.80	19.00	9.50
			n ₁	3950	3410	4050	1635	2000	3455	4100	1680	2300	3480	4110
			I _{M400}	2.4	6.0	4.4	4.8	3.3	9.1	5.8	8.5	5.5	15.8	10.2
			P _N	0.80	2.20	1.70	2.10	1.40	3.90	2.30	3.80	2.60	6.90	4.10
			J _M	2.44	8.34	8.34	19.32	19.24	19.24	19.24	36.04	36.04	36.04	36.04
453.311	3071	0.51	M ₂	826	2664	1681		2833		2280				
			c	3.3	1.1	1.6		1.1		1.2				
			n ₂ Eck	9	8	9		4		9				
			n ₂ th	9	8	9		4		8				
520.538	3031	0.47	M ₂	953		1936				2623				
			c	2.9		1.4				1.0				
			n ₂ Eck	8		8				8				
			n ₂ th	8		8				7				
586.638	3080	0.47	M ₂	1077		2185								
			c	2.6		1.3								
			n ₂ Eck	7		7								
			n ₂ th	7		7								
631.744	3031	0.44	M ₂	1163		2355								
			c	2.3		1.2								
			n ₂ Eck	6		6								
			n ₂ th	6		6								
711.965	3080	0.44	M ₂	1314		2658								
			c	2.1		1.1								
			n ₂ Eck	6		6								
			n ₂ th	6		6								
817.551	3031	0.28	M ₂	1513										
			c	1.8										
			n ₂ Eck	5										
			n ₂ th	5										
921.367	3080	0.28	M ₂	1709										
			c	1.6										
			n ₂ Eck	4										
			n ₂ th	4										
992.209	3031	0.20	M ₂	1843										
			c	1.5										
			n ₂ Eck	4										
			n ₂ th	4										
1118.204	3080	0.20	M ₂	2080										
			c	1.4										
			n ₂ Eck	4										
			n ₂ th	4										
1254.197	3031	0.13	M ₂	2338										
			c	1.2										
			n ₂ Eck	3										
			n ₂ th	3										
1413.461	3080	0.13	M ₂	2638										
			c	1.1										
			n ₂ Eck	3										
			n ₂ th	3										

M ... [Nm]
n ... [r/min]
J ... [kgcm²]

P ... [kW]
I ... [A]
i [-]
c [-]



GKS [Nm]

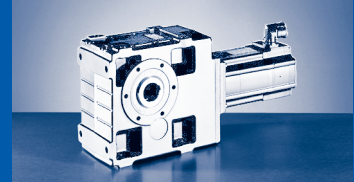
GKS□□-□A (MCA)

$M_{2GN} \leq 6072 \text{ Nm}$

GKS11-3A				14LC16	14LC20	14LC35	14LC41	17NC17	17NC23	17NC35	17NC41
				...F10	...S00	...F10	...S00	...F10	...S00	...F10	...S00
i	M_{2GN}	J_G	M_1								
			n_1	12.00	6.70	10.80	5.40	21.50	10.80	19.00	9.50
			I_{M400}	1635	2000	3455	4100	1680	2300	3480	4110
			P_N	4.8	3.3	9.1	5.8	8.5	5.5	15.8	10.2
			J_M	2.10	1.40	3.90	2.30	3.80	2.60	6.90	4.10
			M_2	19.32	19.24	19.24	19.24	36.04	36.04	36.04	36.04
			c								
12.094	2770	104.00	$n_{2 \text{ Eck}}$								
			$n_{2 \text{ th}}$								
			M_2								
			c								
13.154	3013	101.00	$n_{2 \text{ Eck}}$								
			$n_{2 \text{ th}}$								
			M_2								
			c								
15.874	3090	68.00	$n_{2 \text{ Eck}}$								
			$n_{2 \text{ th}}$								
			M_2								
			c								
17.265	3360	66.50	$n_{2 \text{ Eck}}$								
			$n_{2 \text{ th}}$								
			M_2								
			c								
19.515	4470	90.30	$n_{2 \text{ Eck}}$								
			$n_{2 \text{ th}}$								
			M_2								
			c								
21.989	4884	90.40	$n_{2 \text{ Eck}}$								
			$n_{2 \text{ th}}$								
			M_2								
			c								
25.615	4985	61.20	$n_{2 \text{ Eck}}$								
			$n_{2 \text{ th}}$								
			M_2								
			c								
28.021	5163	52.20	$n_{2 \text{ Eck}}$								
			$n_{2 \text{ th}}$								
			M_2								
			c								
31.573	5521	51.30	$n_{2 \text{ Eck}}$								
			$n_{2 \text{ th}}$								
			M_2								
			c								
35.741	3935	36.80	$n_{2 \text{ Eck}}$					698		621	
			$n_{2 \text{ th}}$					5.2		4.6	
			M_2					47		97	
			c					47		63	
			M_2								
			c								
35.741	5655	36.80	$n_{2 \text{ Eck}}$								
			$n_{2 \text{ th}}$								
			M_2								
			c								
40.272	4434	36.20	$n_{2 \text{ Eck}}$					786		699	
			$n_{2 \text{ th}}$					5.2		4.6	
			M_2					42		86	
			c					42		56	
			M_2								
			c								
40.272	5869	36.20	$n_{2 \text{ Eck}}$								
			$n_{2 \text{ th}}$								

$M \dots$ [Nm]
 $n \dots$ [r/min]
 $J \dots$ [kgcm²]

$P \dots$ [kW]
 $I \dots$ [A]
 $i [-]$
 $c [-]$

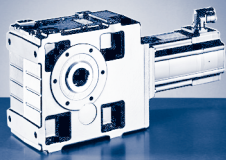


$M_{2GN} \leq 6072 \text{ Nm}$

195C17	195C23	195C35	195C42	21XC17	21XC25	21XC35	21XC42	GKS11-3A			
...F10	...S00	...F10	...S00	...F10	...S00	...F10	...S00	M_1	J_G	M_{2GN}	i
36.30	16.30	36.00	12.00	61.40	24.60	55.00	17.00	n_1			
1700	2340	3510	4150	1710	2490	3520	4160	I_{M400}			
13.9	8.2	28.7	14.0	22.5	13.5	42.5	19.8	P_N			
6.40	4.00	13.20	5.20	11.00	6.40	20.30	7.40	J_M			
72.12	72.12	72.04	72.12	180.04	180.04	180.04	180.04	M_2			
				685		617		c			
				3.8		3.3		$n_{2\text{ Eck}}$	104.00	2770	12.094
				141		291		$n_{2\text{ th}}$			
				131		127					
				745		671		M_2			
				3.8		3.3		c	101.00	3013	13.154
				130		268		$n_{2\text{ Eck}}$			
				121		117		$n_{2\text{ th}}$			
				904		814		M_2			
				3.2		2.8		c	68.00	3090	15.874
				108		222		$n_{2\text{ Eck}}$			
				108		108		$n_{2\text{ th}}$			
				984		885		M_2			
				3.2		2.8		c	66.50	3360	17.265
				99		204		$n_{2\text{ Eck}}$			
				99		100		$n_{2\text{ th}}$			
				1105		995		M_2			
				3.8		3.3		c	90.30	4470	19.515
				88		180		$n_{2\text{ Eck}}$			
				81		79		$n_{2\text{ th}}$			
				1247		1122		M_2			
				3.7		3.2		c	90.40	4884	21.989
				78		160		$n_{2\text{ Eck}}$			
				72		69		$n_{2\text{ th}}$			
				1459		1313		M_2			
				3.2		2.8		c	61.20	4985	25.615
				67		137		$n_{2\text{ Eck}}$			
				67		67		$n_{2\text{ th}}$			
924		927		1599		1438		M_2			
5.1		4.1		3.0		2.7		c	52.20	5163	28.021
61		125		61		126		$n_{2\text{ Eck}}$			
61		69		61		63		$n_{2\text{ th}}$			
1044		1047		1805		1623		M_2			
4.9		3.9		2.9		2.5		c	51.30	5521	31.573
54		111		54		112		$n_{2\text{ Eck}}$			
54		61		54		55		$n_{2\text{ th}}$			
								M_2			
								c	36.80	3935	35.741
								$n_{2\text{ Eck}}$			
								$n_{2\text{ th}}$			
1188		1190		2049	794	1842		M_2			
4.4		3.5		2.6	5.7	2.3		c	36.80	5655	35.741
48		98		48	70	99		$n_{2\text{ Eck}}$			
48		60		48	56	54		$n_{2\text{ th}}$			
								M_2			
								c	36.20	4434	40.272
								$n_{2\text{ Eck}}$			
								$n_{2\text{ th}}$			
1344		1345		2314	899	2080		M_2			
4.1		3.2		2.4	5.3	2.1		c	36.20	5869	40.272
42		87		43	62	87		$n_{2\text{ Eck}}$			
42		52		42	50	47		$n_{2\text{ th}}$			

M ... [Nm]
n ... [r/min]
J ... [kgcm²]

P ... [kW]
I ... [A]
i [-]
c [-]



GKS [Nm]

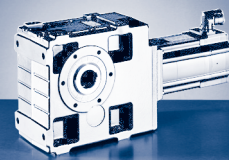
GKS□□-□A (MCA)

$M_{2GN} \leq 6072 \text{ Nm}$

GKS11-3A				14LC16	14LC20	14LC35	14LC41	17NC17	17NC23	17NC35	17NC41
				...F10	...S00	...F10	...S00	...F10	...S00	...F10	...S00
i	M_{2GN}	J_G	M_1								
			n_1	12.00	6.70	10.80	5.40	21.50	10.80	19.00	9.50
			I_{M400}	1635	2000	3455	4100	1680	2300	3480	4110
			P_N	4.8	3.3	9.1	5.8	8.5	5.5	15.8	10.2
			J_M	2.10	1.40	3.90	2.30	3.80	2.60	6.90	4.10
			M_2	19.32	19.24	19.24	19.24	36.04	36.04	36.04	36.04
43.783	5800	27.90	c								
			$n_{2 \text{ Eck}}$								
			$n_{2 \text{ th}}$								
49.333	5923	27.50	c								
			$n_{2 \text{ Eck}}$								
			$n_{2 \text{ th}}$								
57.683	4370	17.70	c					1144		1012	
			$n_{2 \text{ Eck}}$					3.7		3.6	
			$n_{2 \text{ th}}$					29		60	
			$n_{2 \text{ th}}$					29		50	
57.683	5972	17.70	c								
			$n_{2 \text{ Eck}}$								
			$n_{2 \text{ th}}$								
64.995	4924	17.50	c					1289		1141	
			$n_{2 \text{ Eck}}$					3.7		3.6	
			$n_{2 \text{ th}}$					26		54	
			$n_{2 \text{ th}}$					26		45	
64.995	5992	17.50	c								
			$n_{2 \text{ Eck}}$								
			$n_{2 \text{ th}}$								
70.887	4497	13.00	c					1416		1252	608
			$n_{2 \text{ Eck}}$					3.1		3.0	5.7
			$n_{2 \text{ th}}$					24		49	58
			$n_{2 \text{ th}}$					24		44	44
70.887	5973	13.00	c								
			$n_{2 \text{ Eck}}$								
			$n_{2 \text{ th}}$								
79.873	5068	12.90	c					1595		1411	685
			$n_{2 \text{ Eck}}$					3.1		3.0	5.7
			$n_{2 \text{ th}}$					21		44	52
			$n_{2 \text{ th}}$					21		39	39
79.873	6032	12.90	c								
			$n_{2 \text{ Eck}}$								
			$n_{2 \text{ th}}$								
91.737	3979	8.30	c	1015		915					
			$n_{2 \text{ Eck}}$	3.8		3.6					
			$n_{2 \text{ th}}$	18		38					
			$n_{2 \text{ th}}$	18		38					
91.737	4660	8.30	c					1844	903	1631	797
			$n_{2 \text{ Eck}}$					2.5	4.9	2.4	4.6
			$n_{2 \text{ th}}$					18	25	38	45
			$n_{2 \text{ th}}$					18	25	34	34
91.737	5975	8.30	c								
			$n_{2 \text{ Eck}}$								
			$n_{2 \text{ th}}$								

$M \dots$ [Nm]
 $n \dots$ [r/min]
 $J \dots$ [kgcm²]

$P \dots$ [kW]
 $I \dots$ [A]
 $i \dots$ [-]
 $c \dots$ [-]

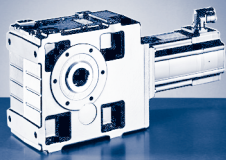


$M_{2GN} \leq 6072 \text{ Nm}$

195C17	195C23	195C35	195C42	21XC17	21XC25	21XC35	21XC42	GKS11-3A			
...F10	...500	...F10	...500	...F10	...500	...F10	...500	M_1	J_G	M_{2GN}	i
36.30	16.30	36.00	12.00	61.40	24.60	55.00	17.00	n_1			
1700	2340	3510	4150	1710	2490	3520	4160	I_{M400}			
13.9	8.2	28.7	14.0	22.5	13.5	42.5	19.8	P_N			
6.40	4.00	13.20	5.20	11.00	6.40	20.30	7.40	J_M			
72.12	72.12	72.04	72.12	180.04	180.04	180.04	180.04	M_2			
1464		1461		2519	975	2259		c	27.90	5800	43.783
3.8		3.3		2.3	5.4	2.2		$n_{2 \text{ Eck}}$			
39		80		39	57	80		$n_{2 \text{ th}}$			
39		55		39	46	46					
1657		1651		2845	1105	2551		M_2	27.50	5923	49.333
3.5		3.0		2.1	4.9	2.0		c			
35		71		35	51	71		$n_{2 \text{ Eck}}$			
34		48		35	41	41		$n_{2 \text{ th}}$			
								M_2	17.70	4370	57.683
								c			
								$n_{2 \text{ Eck}}$			
								$n_{2 \text{ th}}$			
1947		1939		3337	1302	2991	890	M_2	17.70	5972	57.683
3.0		2.6		1.8	4.3	1.7	5.2	c			
30		61		30	43	61	72	$n_{2 \text{ Eck}}$			
29		42		30	35	35	35	$n_{2 \text{ th}}$			
								M_2	17.50	4924	64.995
								c			
								$n_{2 \text{ Eck}}$			
								$n_{2 \text{ th}}$			
2202	955	2192		3767	1474	3377	1010	M_2	17.50	5992	64.995
2.7	5.8	2.3		1.6	3.8	1.5	4.6	c			
26	36	54		26	38	54	64	$n_{2 \text{ Eck}}$			
26	36	38		26	31	31	31	$n_{2 \text{ th}}$			
								M_2	13.00	4497	70.887
								c			
								$n_{2 \text{ Eck}}$			
								$n_{2 \text{ th}}$			
2407	1047	2396	766	4115	1613	3689	1106	M_2	13.00	5973	70.887
2.4	5.3	2.1	6.0	1.5	3.5	1.4	4.2	c			
24	33	50	59	24	35	50	59	$n_{2 \text{ Eck}}$			
24	33	35	35	24	28	28	28	$n_{2 \text{ th}}$			
								M_2	12.90	5068	79.873
								c			
								$n_{2 \text{ Eck}}$			
								$n_{2 \text{ th}}$			
2720	1187	2706	869	4644	1825	4162	1252	M_2	12.90	6032	79.873
2.2	4.8	1.9	5.4	1.3	3.1	1.2	3.8	c			
21	29	44	52	21	31	44	52	$n_{2 \text{ Eck}}$			
21	29	31	31	21	25	25	25	$n_{2 \text{ th}}$			
								M_2	8.30	3979	91.737
								c			
								$n_{2 \text{ Eck}}$			
								$n_{2 \text{ th}}$			
								M_2	8.30	4660	91.737
								c			
								$n_{2 \text{ Eck}}$			
								$n_{2 \text{ th}}$			
3133	1374	3116	1006					M_2	8.30	5975	91.737
1.9	4.1	1.6	4.6					c			
19	26	38	45					$n_{2 \text{ Eck}}$			
19	26	27	27					$n_{2 \text{ th}}$			

M ... [Nm]
n ... [r/min]
J ... [kgcm²]

P ... [kW]
I ... [A]
i [-]
c [-]



GKS [Nm]

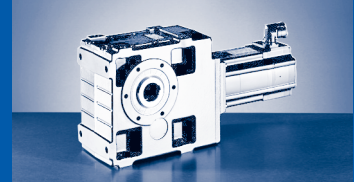
GKS□□-□A (MCA)

$M_{2GN} \leq 6072 \text{ Nm}$

GKS11-3A				14LC16	14LC20	14LC35	14LC41	17NC17	17NC23	17NC35	17NC41
				...F10	...S00	...F10	...S00	...F10	...S00	...F10	...S00
i	M_{2GN}	J_G	M_1	12.00	6.70	10.80	5.40	21.50	10.80	19.00	9.50
			n_1	1635	2000	3455	4100	1680	2300	3480	4110
			I_{M400}	4.8	3.3	9.1	5.8	8.5	5.5	15.8	10.2
			P_N	2.10	1.40	3.90	2.30	3.80	2.60	6.90	4.10
			J_M	19.32	19.24	19.24	19.24	36.04	36.04	36.04	36.04
103.365	4483	8.21	M_2	1143		1031					
			c	3.8		3.6					
			$n_{2 \text{ Eck}}$	16		33					
			$n_{2 \text{ th}}$	16		33					
103.365	5250	8.21	M_2					2078	1017	1838	898
			c					2.5	4.9	2.4	4.6
			$n_{2 \text{ Eck}}$					16	22	34	40
			$n_{2 \text{ th}}$					16	22	30	30
103.365	6072	8.21	M_2								
			c								
			$n_{2 \text{ Eck}}$								
			$n_{2 \text{ th}}$								
111.335	4042	6.05	M_2	1240	673	1114					
			c	3.2	5.7	3.4					
			$n_{2 \text{ Eck}}$	15	18	31					
			$n_{2 \text{ th}}$	15	18	31					
111.335	4734	6.05	M_2					2248	1104	1983	970
			c					2.1	4.2	2.2	4.2
			$n_{2 \text{ Eck}}$					15	21	31	37
			$n_{2 \text{ th}}$					15	21	28	28
111.335	5975	6.05	M_2								
			c								
			$n_{2 \text{ Eck}}$								
			$n_{2 \text{ th}}$								
125.448	4555	5.99	M_2	1397	759	1255					
			c	3.2	5.7	3.4					
			$n_{2 \text{ Eck}}$	13	16	28					
			$n_{2 \text{ th}}$	13	16	28					
125.448	5335	5.99	M_2					2533	1244	2234	1093
			c					2.1	4.2	2.2	4.2
			$n_{2 \text{ Eck}}$					13	18	28	33
			$n_{2 \text{ th}}$					13	18	25	25
125.448	6072	5.99	M_2								
			c								
			$n_{2 \text{ Eck}}$								
			$n_{2 \text{ th}}$								
140.732	4107	3.96	M_2	1578	862	1418	690				
			c	2.6	4.6	2.7	5.1				
			$n_{2 \text{ Eck}}$	12	14	25	29				
			$n_{2 \text{ th}}$	12	14	25	26				
140.732	4811	3.96	M_2					2854	1408	2518	1238
			c					1.7	3.3	1.8	3.4
			$n_{2 \text{ Eck}}$					12	16	25	29
			$n_{2 \text{ th}}$					12	16	22	22
158.571	4628	3.93	M_2	1778	971	1597	778				
			c	2.6	4.6	2.7	5.1				
			$n_{2 \text{ Eck}}$	10	13	22	26				
			$n_{2 \text{ th}}$	10	13	22	23				
158.571	5421	3.93	M_2					3215	1587	2838	1395
			c					1.7	3.3	1.8	3.4
			$n_{2 \text{ Eck}}$					11	15	22	26
			$n_{2 \text{ th}}$					11	15	20	20

$M \dots$ [Nm]
 $n \dots$ [r/min]
 $J \dots$ [kgcm²]

$P \dots$ [kW]
 $I \dots$ [A]
 i [-]
 c [-]

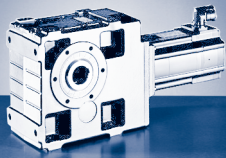


$M_{2GN} \leq 6072 \text{ Nm}$

195C17	195C23	195C35	195C42	21XC17	21XC25	21XC35	21XC42	GKS11-3A			
...F10	...S00	...F10	...S00	...F10	...S00	...F10	...S00	M_1	J_G	M_{2GN}	i
36.30	16.30	36.00	12.00	61.40	24.60	55.00	17.00	n_1			
1700	2340	3510	4150	1710	2490	3520	4160	I_{M400}			
13.9	8.2	28.7	14.0	22.5	13.5	42.5	19.8	P_N			
6.40	4.00	13.20	5.20	11.00	6.40	20.30	7.40	J_M			
72.12	72.12	72.04	72.12	180.04	180.04	180.04	180.04	M_2 c			
								$n_{2\text{ Eck}}$	8.21	4483	103.365
								$n_{2\text{ th}}$			
								M_2 c			
								$n_{2\text{ Eck}}$	8.21	5250	103.365
								$n_{2\text{ th}}$			
3538	1555	3517	1139					M_2 c			
1.7	3.7	1.5	4.2					$n_{2\text{ Eck}}$	8.21	6072	103.365
17	23	34	40					$n_{2\text{ th}}$			
16	23	24	24					M_2 c			
								$n_{2\text{ Eck}}$	6.05	4042	111.335
								$n_{2\text{ th}}$			
								M_2 c			
								$n_{2\text{ Eck}}$	6.05	4734	111.335
								$n_{2\text{ th}}$			
3816	1679	3787	1226					M_2 c			
1.6	3.5	1.5	4.2					$n_{2\text{ Eck}}$	6.05	5975	111.335
15	21	32	37					$n_{2\text{ th}}$			
15	21	22	22					M_2 c			
								$n_{2\text{ Eck}}$	5.99	4555	125.448
								$n_{2\text{ th}}$			
								M_2 c			
								$n_{2\text{ Eck}}$	5.99	5335	125.448
								$n_{2\text{ th}}$			
4307	1899	4274	1388					M_2 c			
1.4	3.1	1.3	3.8					$n_{2\text{ Eck}}$	5.99	6072	125.448
14	19	28	33					$n_{2\text{ th}}$			
14	19	20	20					M_2 c			
								$n_{2\text{ Eck}}$	3.96	4107	140.732
								$n_{2\text{ th}}$			
								M_2 c			
								$n_{2\text{ Eck}}$	3.96	4811	140.732
								$n_{2\text{ th}}$			
								M_2 c			
								$n_{2\text{ Eck}}$	3.93	4628	158.571
								$n_{2\text{ th}}$			
								M_2 c			
								$n_{2\text{ Eck}}$	3.93	5421	158.571
								$n_{2\text{ th}}$			

$M \dots$ [Nm]
 $n \dots$ [r/min]
 $J \dots$ [kgcm²]

$P \dots$ [kW]
 $I \dots$ [A]
 i [-]
 c [-]



GKS [Nm]

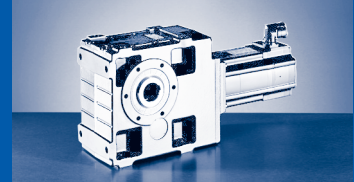
GKS□□-□A (MCA)

$M_{2GN} \leq 6072 \text{ Nm}$

GKS11-3A				14LC16	14LC20	14LC35	14LC41	17NC17	17NC23	17NC35	17NC41
				...F10	...S00	...F10	...S00	...F10	...S00	...F10	...S00
i	M_{2GN}	J_G	M_1								
			n_1	12.00	6.70	10.80	5.40	21.50	10.80	19.00	9.50
			I_{M400}	1635	2000	3455	4100	1680	2300	3480	4110
			P_N	4.8	3.3	9.1	5.8	8.5	5.5	15.8	10.2
			J_M	2.10	1.40	3.90	2.30	3.80	2.60	6.90	4.10
			M_2	19.32	19.24	19.24	19.24	36.04	36.04	36.04	36.04
186.572	5975	7.07	c	2086	1137	1874	910	3787	1871	3343	1645
			$n_{2 \text{ Eck}}$	2.8	5.0	3.0	5.6	1.6	3.1	1.7	3.2
			$n_{2 \text{ th}}$	9	11	19	22	9	12	19	22
				9	11	19	19	9	12	17	17
210.222	5892	7.05	M_2	2359	1290	2120	1034	4276	2117	3775	1861
			c	2.5	4.4	2.6	4.9	1.4	2.7	1.5	2.8
			$n_{2 \text{ Eck}}$	8	10	16	20	8	11	17	20
			$n_{2 \text{ th}}$	8	10	16	17	8	11	15	15
226.431	5975	5.21	M_2	2545	1393	2287	1117	4610	2284	4070	2008
			c	2.3	4.2	2.5	4.6	1.3	2.6	1.4	2.6
			$n_{2 \text{ Eck}}$	7	9	15	18	7	10	15	18
			$n_{2 \text{ th}}$	7	9	15	16	7	10	14	14
255.133	5892	5.20	M_2	2877	1579	2586	1267	5203	2583	4594	2271
			c	2.0	3.6	2.2	4.1	1.1	2.3	1.2	2.3
			$n_{2 \text{ Eck}}$	6	8	14	16	7	9	14	16
			$n_{2 \text{ th}}$	6	8	14	14	7	9	12	12
286.219	5975	3.44	M_2	3234	1778	2907	1427	5844	2904	5160	2553
			c	1.8	3.3	1.9	3.7	1.0	2.0	1.1	2.1
			$n_{2 \text{ Eck}}$	6	7	12	14	6	8	12	14
			$n_{2 \text{ th}}$	6	7	12	13	6	8	11	11
322.500	5892	3.43	M_2	3653	2012	3284	1616		3281		2885
			c	1.6	2.9	1.7	3.2		1.8		1.8
			$n_{2 \text{ Eck}}$	5	6	11	13		7		13
			$n_{2 \text{ th}}$	5	6	11	11		7		10

M ... [Nm]
 n ... [r/min]
 J ... [kgcm²]

P ... [kW]
 I ... [A]
 i [-]
 c [-]

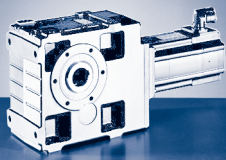


$M_{2GN} \leq 6072 \text{ Nm}$

195C17	195C23	195C35	195C42	21XC17	21XC25	21XC35	21XC42	GKS11-3A			
...F10	...S00	...F10	...S00	...F10	...S00	...F10	...S00	M_1	J_G	M_{2GN}	i
36.30	16.30	36.00	12.00	61.40	24.60	55.00	17.00	n_1			
1700	2340	3510	4150	1710	2490	3520	4160	I_{M400}			
13.9	8.2	28.7	14.0	22.5	13.5	42.5	19.8	P_N			
6.40	4.00	13.20	5.20	11.00	6.40	20.30	7.40	J_M			
72.12	72.12	72.04	72.12	180.04	180.04	180.04	180.04	M_2			
	2856		2093					c			
	2.1		2.5					$n_{2\text{ Eck}}$	7.07	5975	186.572
	13		22					$n_{2\text{ th}}$			
	13		13					M_2			
	3227		2366					c			
	1.8		2.2					$n_{2\text{ Eck}}$	7.05	5892	210.222
	11		20					$n_{2\text{ th}}$			
	11		12					M_2			
	3480		2552					c			
	1.7		2.1					$n_{2\text{ Eck}}$	5.21	5975	226.431
	10		18					$n_{2\text{ th}}$			
	10		11					M_2			
	3930		2883					c			
	1.5		1.8					$n_{2\text{ Eck}}$	5.20	5892	255.133
	9		16					$n_{2\text{ th}}$			
	9		10					M_2			
								c			
								$n_{2\text{ Eck}}$	3.44	5975	286.219
								$n_{2\text{ th}}$			
								M_2			
								c			
								$n_{2\text{ Eck}}$	3.43	5892	322.500
								$n_{2\text{ th}}$			

M ... [Nm]
n ... [r/min]
J ... [kgcm²]

P ... [kW]
I ... [A]
i [-]
c [-]



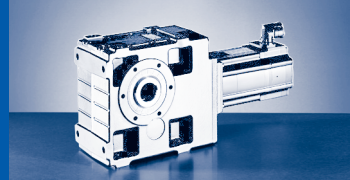
GKS [Nm] GKS□□-□A (MCA)

$M_{2GN} \leq 6072 \text{ Nm}$

GKS11-4A				10IC40	13IC34	13IC41	14LC16	14LC20	14LC35	14LC41
				...S00	...F10	...S00	...F10	...S00	...F10	...S00
i	M_{2GN}	J_G	M_1							
			n_1	3950	3410	4050	1635	2000	3455	4100
			I_{M400}	2.4	6.0	4.4	4.8	3.3	9.1	5.8
			P_N	0.80	2.20	1.70	2.10	1.40	3.90	2.30
			J_M	2.44	8.34	8.34	19.32	19.24	19.24	19.24
102.119	4012	7.28	M_2		570					
			c		5.8					
			$n_{2 \text{ Eck}}$		33					
			$n_{2 \text{ th}}$		33					
102.119	5655	7.28	M_2				1096		989	
			c				4.9		4.7	
			$n_{2 \text{ Eck}}$				16		34	
			$n_{2 \text{ th}}$				16		34	
115.063	5869	7.21	M_2				1240		1113	
			c				4.6		4.8	
			$n_{2 \text{ Eck}}$				14		30	
			$n_{2 \text{ th}}$				14		30	
125.095	5800	6.23	M_2				1355		1216	
			c				4.1		4.4	
			$n_{2 \text{ Eck}}$				13		28	
			$n_{2 \text{ th}}$				13		28	
140.952	5923	6.19	M_2				1533		1376	
			c				3.8		4.0	
			$n_{2 \text{ Eck}}$				12		25	
			$n_{2 \text{ th}}$				12		25	
153.242	5800	4.50	M_2				1673		1503	
			c				3.4		3.6	
			$n_{2 \text{ Eck}}$				11		23	
			$n_{2 \text{ th}}$				11		23	
172.667	5923	4.47	M_2				1892	1028	1699	
			c				3.1	5.5	3.3	
			$n_{2 \text{ Eck}}$				10	12	20	
			$n_{2 \text{ th}}$				9	12	20	
201.890	5972	3.74	M_2				2222	1213	1997	971
			c				2.6	4.7	2.8	5.3
			$n_{2 \text{ Eck}}$				8	10	17	20
			$n_{2 \text{ th}}$				8	10	17	18
227.481	5992	3.72	M_2				2512	1374	2257	1101
			c				2.4	4.2	2.5	4.7
			$n_{2 \text{ Eck}}$				7	9	15	18
			$n_{2 \text{ th}}$				7	9	15	16
248.106	5973	3.36	M_2				2746	1505	2468	1207
			c				2.2	3.9	2.3	4.3
			$n_{2 \text{ Eck}}$				7	8	14	17
			$n_{2 \text{ th}}$				7	8	14	14
279.556	6032	3.34	M_2				3101	1703	2788	1366
			c				1.9	3.5	2.0	3.9
			$n_{2 \text{ Eck}}$				6	7	12	15
			$n_{2 \text{ th}}$				6	7	12	13
322.931	5973	2.09	M_2		1859	1161	3593	1978	3230	1588
			c		3.0	4.5	1.7	3.0	1.8	3.3
			$n_{2 \text{ Eck}}$		11	13	5	6	11	13
			$n_{2 \text{ th}}$		11	13	5	6	11	11
363.866	6032	2.08	M_2		2101	1315	4056	2236	3647	1796
			c		2.7	4.0	1.5	2.7	1.6	3.0
			$n_{2 \text{ Eck}}$		9	11	5	6	10	11
			$n_{2 \text{ th}}$		9	11	4	6	10	10

$M \dots$ [Nm]
 $n \dots$ [r/min]
 $J \dots$ [kgcm²]

$P \dots$ [kW]
 $I \dots$ [A]
 $i \dots$ [-]
 $c \dots$ [-]

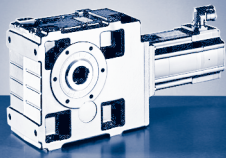


$M_{2GN} \leq 6072 \text{ Nm}$

17NC17	17NC23	17NC35	17NC41	19SC17	19SC23	19SC35	19SC42	GKS11-4A			
...F10	...S00	...F10	...S00	...F10	...S00	...F10	...S00	M_1	J_G	M_{2GN}	i
21.50	10.80	19.00	9.50	36.30	16.30	36.00	12.00	n_1			
1680	2300	3480	4110	1700	2340	3510	4150	I_{M400}			
8.5	5.5	15.8	10.2	13.9	8.2	28.7	14.0	P_N			
3.80	2.60	6.90	4.10	6.40	4.00	13.20	5.20	J_M			
36.04	36.04	36.04	36.04	72.12	72.12	72.04	72.12	M_2 c $n_{2 \text{ Eck}}$ $n_{2 \text{ th}}$	7.28	4012	102.119
2011	981	1779	866	3438	1512	3418	1107	M_2 c $n_{2 \text{ Eck}}$ $n_{2 \text{ th}}$	7.28	5655	102.119
2.8	5.4	2.7	5.1	1.6	3.6	1.4	4.0				
17	23	34	40	17	23	34	41				
16	23	30	30	17	23	24	24				
2272	1110	2003	975	3879	1707	3849	1247	M_2 c $n_{2 \text{ Eck}}$ $n_{2 \text{ th}}$	7.21	5869	115.063
2.5	5.1	2.7	5.2	1.5	3.4	1.4	4.1				
15	20	30	36	15	20	31	36				
15	20	27	27	15	20	21	21				
2476	1213	2184	1066	4223	1862	4191	1361	M_2 c $n_{2 \text{ Eck}}$ $n_{2 \text{ th}}$	6.23	5800	125.095
2.3	4.6	2.5	4.7	1.4	3.1	1.3	3.7				
13	18	28	33	14	19	28	33				
13	18	25	25	14	19	20	20				
2796	1373	2467	1207	4765	2105	4728	1539	M_2 c $n_{2 \text{ Eck}}$ $n_{2 \text{ th}}$	6.19	5923	140.952
2.1	4.2	2.3	4.3	1.2	2.8	1.2	3.4				
12	16	25	29	12	17	25	29				
12	16	22	22	12	17	17	17				
3047	1500	2689	1318	5187	2295	5147	1680	M_2 c $n_{2 \text{ Eck}}$ $n_{2 \text{ th}}$	4.50	5800	153.242
1.9	3.8	2.0	3.8	1.1	2.5	1.1	3.0				
11	15	23	27	11	15	23	27				
11	15	20	20	11	15	16	16				
3440	1696	3036	1491	5852	2593		1898	M_2 c $n_{2 \text{ Eck}}$ $n_{2 \text{ th}}$	4.47	5923	172.667
1.7	3.4	1.8	3.5	1.0	2.3		2.8				
10	13	20	24	10	14		24				
10	13	18	18	10	14		14				
4032	1994	3559	1752		3042		2229	M_2 c $n_{2 \text{ Eck}}$ $n_{2 \text{ th}}$	3.74	5972	201.890
1.5	2.9	1.6	3.0		1.9		2.4				
8	11	17	20		12		21				
8	11	15	15		12		12				
4551	2254	4018	1982		3435		2519	M_2 c $n_{2 \text{ Eck}}$ $n_{2 \text{ th}}$	3.72	5992	227.481
1.3	2.6	1.4	2.7		1.7		2.1				
7	10	15	18		10		18				
7	10	14	14		10		11				
4970	2465	4388	2167		3753		2752	M_2 c $n_{2 \text{ Eck}}$ $n_{2 \text{ th}}$	3.36	5973	248.106
1.2	2.4	1.3	2.4		1.6		1.9				
7	9	14	17		9		17				
7	9	13	13		9		10				
5608	2785	4951	2448		4236		3108	M_2 c $n_{2 \text{ Eck}}$ $n_{2 \text{ th}}$	3.34	6032	279.556
1.1	2.1	1.2	2.2		1.4		1.7				
6	8	13	15		8		15				
6	8	11	11		8		9				
	3227		2838					M_2 c $n_{2 \text{ Eck}}$ $n_{2 \text{ th}}$	2.09	5973	322.931
	1.8		1.9								
	7		13								
	7		10								
	3644		3204					M_2 c $n_{2 \text{ Eck}}$ $n_{2 \text{ th}}$	2.08	6032	363.866
	1.6		1.7								
	6		11								
	6		9								

$M \dots$ [Nm]
 $n \dots$ [r/min]
 $J \dots$ [kgcm²]

$P \dots$ [kW]
 $I \dots$ [A]
 i [-]
 c [-]



GKS [Nm]

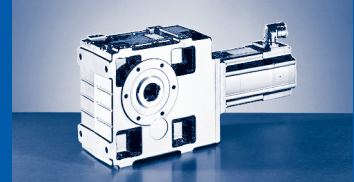
GKS□□-□A (MCA)

$M_{2GN} \leq 6072 \text{ Nm}$

GKS11-4A				10IC40	13IC34	13IC41	14LC16	14LC20	14LC35	14LC41
				...500	...F10	...500	...F10	...500	...F10	...500
i	M_{2GN}	J_G	M_1							
			n_1	3950	3410	4050	1635	2000	3455	4100
			I_{M400}	2.4	6.0	4.4	4.8	3.3	9.1	5.8
			P_N	0.80	2.20	1.70	2.10	1.40	3.90	2.30
			J_M	2.44	8.34	8.34	19.32	19.24	19.24	19.24
395.787	5973	1.52	M_2		2292	1436	4418	2439	3973	1959
			c		2.5	3.7	1.4	2.4	1.4	2.7
			$n_{2 \text{ Eck}}$		9	10	4	5	9	10
			$n_{2 \text{ th}}$		9	10	4	5	9	9
445.958	6032	1.52	M_2		2589	1625	4986	2755	4484	2214
			c		2.2	3.3	1.2	2.2	1.3	2.4
			$n_{2 \text{ Eck}}$		8	9	4	5	8	9
			$n_{2 \text{ th}}$		8	9	4	4	8	8
512.196	5975	1.39	M_2		2984	1876	5736	3175	5159	2553
			c		1.9	2.8	1.0	1.9	1.1	2.1
			$n_{2 \text{ Eck}}$		7	8	3	4	7	8
			$n_{2 \text{ th}}$		7	8	3	4	7	7
577.122	6072	1.38	M_2		3369	2120		3584		2882
			c		1.7	2.6		1.7		1.9
			$n_{2 \text{ Eck}}$		6	7		4		7
			$n_{2 \text{ th}}$		6	7		3		6
621.619	5975	1.31	M_2		3634	2289		3866		3110
			c		1.6	2.3		1.5		1.7
			$n_{2 \text{ Eck}}$		6	7		3		7
			$n_{2 \text{ th}}$		5	7		3		6
700.416	6072	1.31	M_2		4102	2585		4364		3511
			c		1.4	2.1		1.4		1.6
			$n_{2 \text{ Eck}}$		5	6		3		6
			$n_{2 \text{ th}}$		5	6		3		5
816.455	5975	0.82	M_2	1483	4793	3024		5098		4103
			c	3.6	1.2	1.8		1.2		1.3
			$n_{2 \text{ Eck}}$	5	4	5		3		5
			$n_{2 \text{ th}}$	5	4	5		2		4
919.949	6072	0.82	M_2	1677	5407	3414		5752		4630
			c	3.2	1.1	1.6		1.1		1.2
			$n_{2 \text{ Eck}}$	4	4	4		2		5
			$n_{2 \text{ th}}$	4	4	4		2		4
990.879	5975	0.60	M_2	1812		3683				4992
			c	3.0		1.5				1.1
			$n_{2 \text{ Eck}}$	4		4				4
			$n_{2 \text{ th}}$	4		4				4
1116.484	6072	0.60	M_2	2048		4156				
			c	2.7		1.3				
			$n_{2 \text{ Eck}}$	4		4				
			$n_{2 \text{ th}}$	4		4				
1252.516	5975	0.39	M_2	2306		4670				
			c	2.3		1.2				
			$n_{2 \text{ Eck}}$	3		3				
			$n_{2 \text{ th}}$	3		3				
1411.286	6072	0.39	M_2	2604		5269				
			c	2.1		1.0				
			$n_{2 \text{ Eck}}$	3		3				
			$n_{2 \text{ th}}$	3		3				

$M \dots$ [Nm]
 $n \dots$ [r/min]
 $J \dots$ [kgcm²]

$P \dots$ [kW]
 $I \dots$ [A]
 i [-]
 c [-]

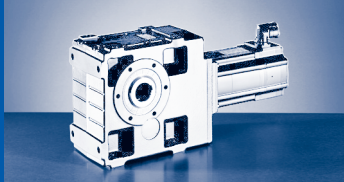


$M_{2GN} \leq 6072 \text{ Nm}$

17NC17	17NC23	17NC35	17NC41	19SC17	19SC23	19SC35	19SC42	GKS11-4A			
...F10	...S00	...F10	...S00	...F10	...S00	...F10	...S00	M_1	J_G	M_{2GN}	i
21.50	10.80	19.00	9.50	36.30	16.30	36.00	12.00	n_1			
1680	2300	3480	4110	1700	2340	3510	4150	I_{M400}			
8.5	5.5	15.8	10.2	13.9	8.2	28.7	14.0	P_N			
3.80	2.60	6.90	4.10	6.40	4.00	13.20	5.20	J_M			
36.04	36.04	36.04	36.04	72.12	72.12	72.04	72.12	M_2			
	3970		3491					c			
	1.5		1.5					$n_{2\text{ Eck}}$	1.52	5973	395.787
	6		10					$n_{2\text{ th}}$			
	6		8					M_2			
	4481		3940					c			
	1.3		1.4					$n_{2\text{ Eck}}$	1.52	6032	445.958
	5		9					$n_{2\text{ th}}$			
	5		7					M_2			
	5156		4534					c			
	1.2		1.2					$n_{2\text{ Eck}}$	1.39	5975	512.196
	5		8					$n_{2\text{ th}}$			
	4		6					M_2			
	5817		5116					c			
	1.0		1.1					$n_{2\text{ Eck}}$	1.38	6072	577.122
	4		7					$n_{2\text{ th}}$			
	4		5					M_2			
								c			
								$n_{2\text{ Eck}}$	1.31	5975	621.619
								$n_{2\text{ th}}$			
								M_2			
								c			
								$n_{2\text{ Eck}}$	1.31	6072	700.416
								$n_{2\text{ th}}$			
								M_2			
								c			
								$n_{2\text{ Eck}}$	0.82	5975	816.455
								$n_{2\text{ th}}$			
								M_2			
								c			
								$n_{2\text{ Eck}}$	0.82	6072	919.949
								$n_{2\text{ th}}$			
								M_2			
								c			
								$n_{2\text{ Eck}}$	0.60	5975	990.879
								$n_{2\text{ th}}$			
								M_2			
								c			
								$n_{2\text{ Eck}}$	0.60	6072	1116.484
								$n_{2\text{ th}}$			
								M_2			
								c			
								$n_{2\text{ Eck}}$	0.39	5975	1252.516
								$n_{2\text{ th}}$			
								M_2			
								c			
								$n_{2\text{ Eck}}$	0.39	6072	1411.286
								$n_{2\text{ th}}$			

M ... [Nm]
n ... [r/min]
J ... [kgcm²]

P ... [kW]
I ... [A]
i [-]
c [-]



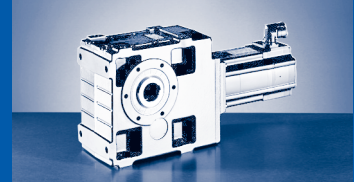
GKS [Nm] GKS□□-□A (MCA)

$M_{2GN} \leq 11784 \text{ Nm}$

GKS14-3A				195C17	195C23	195C35	195C42	21XC17	21XC25	21XC35	21XC42	
				...F10	...S00	...F10	...S00	...F10	...S00	...F10	...S00	
i	M_{2GN}	J_G	M_1	36.30	16.30	36.00	12.00	61.40	24.60	55.00	17.00	
			n_1	1700	2340	3510	4150	1710	2490	3520	4160	
			I_{M400}	13.9	8.2	28.7	14.0	22.5	13.5	42.5	19.8	
			P_N	6.40	4.00	13.20	5.20	11.00	6.40	20.30	7.40	
			J_M	72.12	72.12	72.04	72.12	180.04	180.04	180.04	180.04	
16.646	5932	198.00	M_2					922		832		
			c					5.8		5.1		
			$n_{2 \text{ Eck}}$						103		212	
			$n_{2 \text{ th}}$						102		99	
18.311	6158	173.00	M_2					1017		918		
			c					5.5		4.8		
			$n_{2 \text{ Eck}}$						93		192	
			$n_{2 \text{ th}}$						93		92	
24.696	8801	183.00	M_2					1367		1234		
			c					5.8		5.1		
			$n_{2 \text{ Eck}}$						69		143	
			$n_{2 \text{ th}}$						69		67	
27.165	9135	159.00	M_2					1509		1362		
			c					5.5		4.8		
			$n_{2 \text{ Eck}}$						63		130	
			$n_{2 \text{ th}}$						63		62	
30.609	10132	156.00	M_2					1702		1536		
			c					5.4		4.8		
			$n_{2 \text{ Eck}}$						56		115	
			$n_{2 \text{ th}}$						56		55	
34.692	10019	111.00	M_2					1944		1752		
			c					4.7		4.1		
			$n_{2 \text{ Eck}}$						49		102	
			$n_{2 \text{ th}}$						49		55	
39.089	10937	109.00	M_2					2194		1977		
			c					4.6		4.0		
			$n_{2 \text{ Eck}}$						44		90	
			$n_{2 \text{ th}}$						44		48	
42.531	10787	82.40	M_2					2394		2149		
			c					4.3		4.1		
			$n_{2 \text{ Eck}}$						40		83	
			$n_{2 \text{ th}}$						40		47	
47.923	11261	81.10	M_2					2706		2429		
			c					4.0		3.9		
			$n_{2 \text{ Eck}}$						36		74	
			$n_{2 \text{ th}}$						36		42	
56.251	10874	54.20	M_2	1845		1846						
			c	5.6		4.8						
			$n_{2 \text{ Eck}}$	30		62						
			$n_{2 \text{ th}}$	30		44						
56.251	11522	54.20	M_2					3194		2866		
			c					3.5		3.4		
			$n_{2 \text{ Eck}}$						30		63	
			$n_{2 \text{ th}}$						30		36	
63.382	11477	53.50	M_2	2088		2087		3615		3243		
			c	5.3		4.5		3.1		3.0		
			$n_{2 \text{ Eck}}$	27		55		27		56		
			$n_{2 \text{ th}}$	27		39		27		32		
68.942	11454	38.90	M_2	2282		2279		3943		3537		
			c	4.8		4.2		2.9		2.7		
			$n_{2 \text{ Eck}}$	25		51		25		51		
			$n_{2 \text{ th}}$	25		36		25		29		

M ... [Nm]
n ... [r/min]
J ... [kgcm²]

P ... [kW]
I ... [A]
i [-]
c [-]

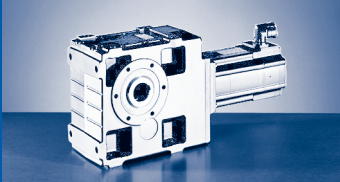


$M_{2GN} \leq 11784 \text{ Nm}$

GKS14-3A				195C17	195C23	195C35	195C42	21XC17	21XC25	21XC35	21XC42
				...F10	...S00	...F10	...S00	...F10	...S00	...F10	...S00
i	M_{2GN}	J_G	M_1	36.30	16.30	36.00	12.00	61.40	24.60	55.00	17.00
			n_1	1700	2340	3510	4150	1710	2490	3520	4160
			I_{M400}	13.9	8.2	28.7	14.0	22.5	13.5	42.5	19.8
			P_N	6.40	4.00	13.20	5.20	11.00	6.40	20.30	7.40
			J_M	72.12	72.12	72.04	72.12	180.04	180.04	180.04	180.04
77.681	11520	38.40	M_2	2585		2580		4457		3997	
			c	4.3		3.7		2.5		2.4	
			$n_{2\text{ Eck}}$	22		45		22		45	
			$n_{2\text{ th}}$	22		32		22		26	
			M_2	3034		3025		5216	2022	4677	
90.551	11488	25.10	c	3.7		3.2		2.2	5.2	2.1	
			$n_{2\text{ Eck}}$	19		39		19	28	39	
			$n_{2\text{ th}}$	19		27		19	22	22	
			M_2	3432		3421		5891	2292	5282	1566
			c	3.3		2.9		2.0	4.7	1.9	5.7
102.029	11639	24.90	$n_{2\text{ Eck}}$	17		34		17	24	35	41
			$n_{2\text{ th}}$	17		24		17	20	20	20
			M_2	3705		3691		6353	2476	5696	1693
			c	3.1		2.7		1.8	4.4	1.8	5.4
			$n_{2\text{ Eck}}$	16		32		16	23	32	38
109.896	11784	18.30	$n_{2\text{ th}}$	15		22		16	18	18	18
			M_2	4192		4163		7175	2801	6421	1911
			c	2.7		2.6		1.6	4.0	1.7	5.2
			$n_{2\text{ Eck}}$	14		28		14	20	28	34
			$n_{2\text{ th}}$	14		20		14	16	16	16
138.913	11784	12.00	M_2	4716	2049	4682					
			c	2.5	5.5	2.4					
			$n_{2\text{ Eck}}$	12	17	25					
			$n_{2\text{ th}}$	12	17	18					
			M_2	5331	2326	5292	1693				
156.522	11639	11.90	c	2.2	4.8	2.1	5.9				
			$n_{2\text{ Eck}}$	11	15	22	27				
			$n_{2\text{ th}}$	11	15	16	16				
			M_2	6379	2797	6331	2039	10874	4283	9734	2935
			c	1.8	4.0	1.7	4.9	1.1	2.7	1.1	3.5
186.572	11609	21.60	$n_{2\text{ Eck}}$	9	13	19	22	9	13	19	22
			$n_{2\text{ th}}$	9	13	13	13	9	11	11	11
			M_2	7203	3167	7149	2312		4842		3321
			c	1.6	3.6	1.5	4.3		2.4		3.1
			$n_{2\text{ Eck}}$	8	11	17	20		12		20
210.222	11555	21.50	$n_{2\text{ th}}$	8	11	12	12		10		10
			M_2	7767	3420	7708	2498		5224		3585
			c	1.5	3.3	1.4	4.0		2.2		2.9
			$n_{2\text{ Eck}}$	8	10	16	18		11		18
			$n_{2\text{ th}}$	8	10	11	11		9		9
226.431	11609	15.90	M_2	8768	3870	8701	2830		5903		4054
			c	1.3	2.9	1.3	3.6		1.9		2.5
			$n_{2\text{ Eck}}$	7	9	14	16		10		16
			$n_{2\text{ th}}$	7	9	10	10		8		8
			M_2	9850	4356	9774	3187				
286.219	11609	10.50	c	1.2	2.6	1.1	3.2				
			$n_{2\text{ Eck}}$	6	8	12	15				
			$n_{2\text{ th}}$	6	8	9	9				
			M_2	11115	4924		3605				
			c	1.0	2.3		2.8				
322.500	11555	10.50	$n_{2\text{ Eck}}$	5	7		13				
			$n_{2\text{ th}}$	5	7		8				

M ... [Nm]
n ... [r/min]
J ... [kgcm²]

P ... [kW]
I ... [A]
i [-]
c [-]



GKS [Nm]

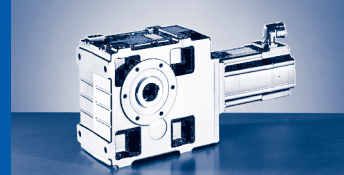
GKS□□-□A (MCA)

$M_{2GN} \leq 11609 \text{ Nm}$

GKS14-4A				14LC16	14LC20	14LC35	14LC41	17NC17	17NC23	17NC35	17NC41
				...F10	...S00	...F10	...S00	...F10	...S00	...F10	...S00
i	M_{2GN}	J_G	M_1								
			n_1	12.00	6.70	10.80	5.40	21.50	10.80	19.00	9.50
			I_{M400}	1635	2000	3455	4100	1680	2300	3480	4110
			P_N	4.8	3.3	9.1	5.8	8.5	5.5	15.8	10.2
			J_M	2.10	1.40	3.90	2.30	3.80	2.60	6.90	4.10
			M_2	19.32	19.24	19.24	19.24	36.04	36.04	36.04	36.04
			c					1886		1669	
97.467	8508	23.47	$n_{2 \text{ Eck}}$					4.4		4.2	
			$n_{2 \text{ th}}$					17		36	
								17		32	
97.467	10019	23.47	M_2								
			c								
			$n_{2 \text{ Eck}}$								
			$n_{2 \text{ th}}$								
109.822	9586	23.23	M_2					2126		1881	
			c					4.4		4.2	
			$n_{2 \text{ Eck}}$					15		32	
			$n_{2 \text{ th}}$					15		28	
109.822	10937	23.23	M_2								
			c								
			$n_{2 \text{ Eck}}$								
			$n_{2 \text{ th}}$								
119.493	10431	19.94	M_2					2313		2036	
			c					4.4		4.7	
			$n_{2 \text{ Eck}}$					14		29	
			$n_{2 \text{ th}}$					14		26	
119.493	10787	19.94	M_2								
			c								
			$n_{2 \text{ Eck}}$								
			$n_{2 \text{ th}}$								
134.640	11261	19.78	M_2					2611		2299	
			c					4.2		4.5	
			$n_{2 \text{ Eck}}$					13		26	
			$n_{2 \text{ th}}$					12		23	
158.039	11522	16.44	M_2					3083		2716	
			c					3.6		3.9	
			$n_{2 \text{ Eck}}$					11		22	
			$n_{2 \text{ th}}$					11		20	
178.072	11477	16.35	M_2	1894				3490		3076	
			c	5.8				3.2		3.5	
			$n_{2 \text{ Eck}}$	9				9		20	
			$n_{2 \text{ th}}$	9				9		17	
193.754	11522	12.08	M_2					3808	1851	3357	
			c					3.0	5.9	3.2	
			$n_{2 \text{ Eck}}$					9	12	18	
			$n_{2 \text{ th}}$					9	12	16	
218.315	11477	12.02	M_2					4307	2102	3798	1847
			c					2.6	5.2	2.8	5.3
			$n_{2 \text{ Eck}}$					8	11	16	19
			$n_{2 \text{ th}}$					8	11	14	14
237.467	11454	10.87	M_2					4696	2298	4141	2019
			c					2.4	4.8	2.6	4.9
			$n_{2 \text{ Eck}}$					7	10	15	17
			$n_{2 \text{ th}}$					7	10	13	13
267.568	11520	10.83	M_2					5306	2604	4680	2288
			c					2.2	4.3	2.3	4.4
			$n_{2 \text{ Eck}}$					6	9	13	15
			$n_{2 \text{ th}}$					6	9	12	12

$M \dots$ [Nm]
 $n \dots$ [r/min]
 $J \dots$ [kgcm²]

$P \dots$ [kW]
 $I \dots$ [A]
 i [-]
 c [-]

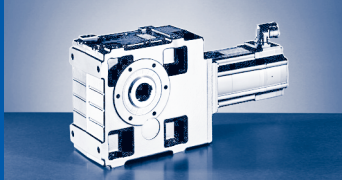


$M_{2GN} \leq 11609 \text{ Nm}$

195C17	195C23	195C35	195C42	21XC17	21XC25	21XC35	21XC42	GKS14-4A			
...F10	...500	...F10	...500	...F10	...500	...F10	...500	M_1	J_G	M_{2GN}	i
36.30	16.30	36.00	12.00	61.40	24.60	55.00	17.00	n_1			
1700	2340	3510	4150	1710	2490	3520	4160	I_{M400}			
13.9	8.2	28.7	14.0	22.5	13.5	42.5	19.8	P_N			
6.40	4.00	13.20	5.20	11.00	6.40	20.30	7.40	J_M			
72.12	72.12	72.04	72.12	180.04	180.04	180.04	180.04	M_2			
								c	23.47	8508	97.467
								$n_{2 \text{ Eck}}$			
								$n_{2 \text{ th}}$			
3232		3220		5541	2160	4968	1477	M_2	23.47	10019	97.467
3.0		2.6		1.8	4.3	1.7	5.2	c			
17		36		18	26	36	43	$n_{2 \text{ Eck}}$			
17		25		18	21	21	21	$n_{2 \text{ th}}$			
								M_2	23.23	9586	109.822
								c			
								$n_{2 \text{ Eck}}$			
								$n_{2 \text{ th}}$			
3645		3631		6246	2437	5600	1667	M_2	23.23	10937	109.822
2.9		2.5		1.7	4.2	1.7	5.1	c			
16		32		16	23	32	38	$n_{2 \text{ Eck}}$			
15		22		16	18	18	18	$n_{2 \text{ th}}$			
								M_2	19.94	10431	119.493
								c			
								$n_{2 \text{ Eck}}$			
								$n_{2 \text{ th}}$			
3978	1723	3950		6809	2659	6093	1814	M_2	19.94	10787	119.493
2.7	5.9	2.5		1.6	3.9	1.7	5.1	c			
14	20	29		14	21	30	35	$n_{2 \text{ Eck}}$			
14	20	20		14	17	17	17	$n_{2 \text{ th}}$			
4492	1951	4460		7681	3005	6874	2052	M_2	19.78	11261	134.640
2.5	5.5	2.4		1.5	3.6	1.5	4.7	c			
13	17	26		13	19	26	31	$n_{2 \text{ Eck}}$			
13	17	18		13	15	15	15	$n_{2 \text{ th}}$			
5291	2308	5252	1679	9034	3546	8086	2425	M_2	16.44	11522	158.039
2.2	4.8	2.1	5.8	1.3	3.2	1.4	4.1	c			
11	15	22	26	11	16	22	26	$n_{2 \text{ Eck}}$			
11	15	15	15	11	13	13	13	$n_{2 \text{ th}}$			
5977	2616	5933	1906	10195	4011	9126	2747	M_2	16.35	11477	178.072
1.9	4.2	1.8	5.2	1.1	2.8	1.2	3.6	c			
10	13	20	23	10	14	20	23	$n_{2 \text{ Eck}}$			
10	13	14	14	10	11	11	11	$n_{2 \text{ th}}$			
6514	2857	6465	2083	11104	4375	9940	2998	M_2	12.08	11522	193.754
1.8	3.9	1.7	4.8	1.0	2.6	1.1	3.4	c			
9	12	18	21	9	13	18	22	$n_{2 \text{ Eck}}$			
9	12	13	13	9	10	10	10	$n_{2 \text{ th}}$			
7356	3235	7300	2362		4945		3392	M_2	12.02	11477	218.315
1.6	3.5	1.5	4.2		2.3		3.0	c			
8	11	16	19		11		19	$n_{2 \text{ Eck}}$			
8	11	11	11		9		9	$n_{2 \text{ th}}$			
8012	3530	7951	2579		5390		3700	M_2	10.87	11454	237.467
1.4	3.2	1.4	3.9		2.1		2.7	c			
7	10	15	18		11		18	$n_{2 \text{ Eck}}$			
7	10	10	10		8		8	$n_{2 \text{ th}}$			
9043	3993	8973	2919		6088		4182	M_2	10.83	11520	267.568
1.3	2.8	1.2	3.5		1.9		2.4	c			
6	9	13	16		9		16	$n_{2 \text{ Eck}}$			
6	9	9	9		8		8	$n_{2 \text{ th}}$			

M ... [Nm]
n ... [r/min]
J ... [kgcm²]

P ... [kW]
I ... [A]
i [-]
c [-]



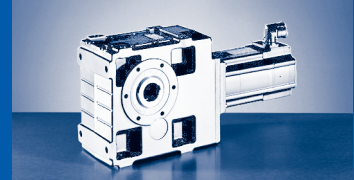
GKS [Nm]
GKS□□-□A (MCA)

$M_{2GN} \leq 11609 \text{ Nm}$

GKS14-4A				14LC16	14LC20	14LC35	14LC41	17NC17	17NC23	17NC35	17NC41
				...F10	...500	...F10	...500	...F10	...500	...F10	...500
i	M_{2GN}	J_G	M_1								
			n_1	12.00	6.70	10.80	5.40	21.50	10.80	19.00	9.50
			I_{M400}	1635	2000	3455	4100	1680	2300	3480	4110
			P_N	4.8	3.3	9.1	5.8	8.5	5.5	15.8	10.2
			J_M	2.10	1.40	3.90	2.30	3.80	2.60	6.90	4.10
			M_2	19.32	19.24	19.24	19.24	36.04	36.04	36.04	36.04
			c	3521	1912	3162		6405	3156	5652	2774
			$n_{2 \text{ Eck}}$	3.2	5.7	3.4		1.8	3.5	1.9	3.6
			$n_{2 \text{ th}}$	5	6	11		5	7	11	13
				5	6	11		5	7	10	10
			M_2	3982	2169	3577	1736	7232	3571	6383	3139
			c	2.8	5.1	3.0	5.7	1.6	3.2	1.7	3.2
			$n_{2 \text{ Eck}}$	5	6	10	11	5	6	10	11
			$n_{2 \text{ th}}$	5	6	10	10	5	6	9	9
			M_2	4302	2348	3865	1880	7804	3859	6888	3392
			c	2.6	4.7	2.8	5.2	1.5	2.9	1.6	3.0
			$n_{2 \text{ Eck}}$	4	5	9	11	4	6	9	11
			$n_{2 \text{ th}}$	4	5	9	9	4	6	8	8
			M_2	4862	2660	4369	2132	8808	4363	7775	3835
			c	2.3	4.2	2.5	4.7	1.3	2.6	1.4	2.7
			$n_{2 \text{ Eck}}$	4	5	8	9	4	5	8	9
			$n_{2 \text{ th}}$	4	5	8	8	4	5	7	7
			M_2	5688	3121	5112	2504	10288	5107	9083	4489
			c	2.0	3.6	2.1	4.0	1.1	2.2	1.2	2.3
			$n_{2 \text{ Eck}}$	3	4	7	8	3	5	7	8
			$n_{2 \text{ th}}$	3	4	7	7	3	4	6	6
			M_2	6423	3531	5774	2834	11606	5768	10248	5071
			c	1.8	3.2	1.9	3.6	1.0	2.0	1.1	2.0
			$n_{2 \text{ Eck}}$	3	4	6	7	3	4	6	7
			$n_{2 \text{ th}}$	3	3	6	6	3	4	5	5
			M_2	6929	3814	6230	3063		6224		5472
			c	1.7	3.0	1.8	3.3		1.8		1.9
			$n_{2 \text{ Eck}}$	3	3	6	7		4		7
			$n_{2 \text{ th}}$	3	3	6	6		4		5
			M_2	7822	4312	7033	3463		7027		6179
			c	1.5	2.7	1.6	3.0		1.7		1.7
			$n_{2 \text{ Eck}}$	2	3	5	6		3		6
			$n_{2 \text{ th}}$	2	3	5	5		3		4
			M_2	9003	4973	8096	3996		8091		7114
			c	1.3	2.3	1.4	2.6		1.4		1.5
			$n_{2 \text{ Eck}}$	2	3	4	5		3		5
			$n_{2 \text{ th}}$	2	2	4	4		3		4
			M_2	10159	5617	9136	4515		9130		8029
			c	1.1	2.1	1.2	2.3		1.3		1.3
			$n_{2 \text{ Eck}}$	2	2	4	5		3		5
			$n_{2 \text{ th}}$	2	2	4	4		3		3
			M_2	10953	6061	9851	4873		9846		8658
			c	1.1	1.9	1.1	2.1		1.2		1.2
			$n_{2 \text{ Eck}}$	2	2	4	4		2		4
			$n_{2 \text{ th}}$	2	2	4	4		2		3
			M_2		6843		5504		11108		9768
			c		1.7		1.9		1.1		1.1
			$n_{2 \text{ Eck}}$		2		4		2		4
			$n_{2 \text{ th}}$		2		3		2		3
			M_2		7694		6190				
			c		1.5		1.7				
			$n_{2 \text{ Eck}}$		2		3				
			$n_{2 \text{ th}}$		2		3				

M ... [Nm]
n ... [r/min]
J ... [kgcm²]

P ... [kW]
I ... [A]
i [-]
c [-]

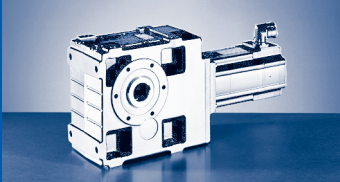


$M_{2GN} \leq 11609 \text{ Nm}$

195C17	195C23	195C35	195C42	21XC17	21XC25	21XC35	21XC42	GKS14-4A			
...F10	...S00	...F10	...S00	...F10	...S00	...F10	...S00	M_1	J_G	M_{2GN}	i
36.30	16.30	36.00	12.00	61.40	24.60	55.00	17.00	n_1			
1700	2340	3510	4150	1710	2490	3520	4160	I_{M400}			
13.9	8.2	28.7	14.0	22.5	13.5	42.5	19.8	P_N			
6.40	4.00	13.20	5.20	11.00	6.40	20.30	7.40	J_M			
72.12	72.12	72.04	72.12	180.04	180.04	180.04	180.04	M_2			
10899	4826	10814	3533					c			
1.1	2.3	1.0	2.9					$n_{2 \text{ Eck}}$	6.42	11454	321.729
5	7	11	13					$n_{2 \text{ th}}$			
5	7	8	8					M_2			
	5453		3995					c			
	2.1		2.6					$n_{2 \text{ Eck}}$	6.40	11520	362.512
	7		12					$n_{2 \text{ th}}$			
	6		7					M_2			
	5887		4314					c			
	1.9		2.4					$n_{2 \text{ Eck}}$	4.75	11454	390.671
	6		11					$n_{2 \text{ th}}$			
	6		6					M_2			
	6648		4874					c			
	1.7		2.1					$n_{2 \text{ Eck}}$	4.73	11520	440.193
	5		9					$n_{2 \text{ th}}$			
	5		6					M_2			
	7770		5700					c			
	1.5		1.8					$n_{2 \text{ Eck}}$	4.33	11488	513.121
	5		8					$n_{2 \text{ th}}$			
	5		5					M_2			
	8769		6436					c			
	1.3		1.6					$n_{2 \text{ Eck}}$	4.32	11639	578.164
	4		7					$n_{2 \text{ th}}$			
	4		4					M_2			
	9456		6942					c			
	1.2		1.5					$n_{2 \text{ Eck}}$	4.12	11488	622.742
	4		7					$n_{2 \text{ th}}$			
	4		4					M_2			
	10669		7834					c			
	1.1		1.3					$n_{2 \text{ Eck}}$	4.12	11639	701.681
	3		6					$n_{2 \text{ th}}$			
	3		3					M_2			
								c			
								$n_{2 \text{ Eck}}$	2.62	11488	805.901
								$n_{2 \text{ th}}$			
								M_2			
								c			
								$n_{2 \text{ Eck}}$	2.62	11639	908.058
								$n_{2 \text{ th}}$			
								M_2			
								c			
								$n_{2 \text{ Eck}}$	1.91	11488	978.071
								$n_{2 \text{ th}}$			
								M_2			
								c			
								$n_{2 \text{ Eck}}$	1.91	11639	1102.052
								$n_{2 \text{ th}}$			
								M_2			
								c			
								$n_{2 \text{ Eck}}$	1.26	11488	1236.326
								$n_{2 \text{ th}}$			

M ... [Nm]
n ... [r/min]
J ... [kgcm²]

P ... [kW]
I ... [A]
i [-]
c [-]



GKS [Nm]

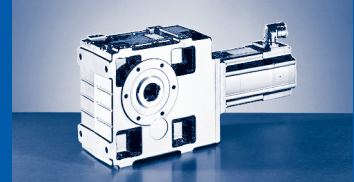
GKS□□-□A (MCA)

$M_{2GN} \leq 11609 \text{ Nm}$

GKS14-4A				14LC16	14LC20	14LC35	14LC41	17NC17	17NC23	17NC35	17NC41
				...F10	...S00	...F10	...S00	...F10	...S00	...F10	...S00
i	M_{2GN}	J_G	M_1	12.00	6.70	10.80	5.40	21.50	10.80	19.00	9.50
			n_1	1635	2000	3455	4100	1680	2300	3480	4110
			I_{M400}	4.8	3.3	9.1	5.8	8.5	5.5	15.8	10.2
			P_N	2.10	1.40	3.90	2.30	3.80	2.60	6.90	4.10
			J_M	19.32	19.24	19.24	19.24	36.04	36.04	36.04	36.04
			M_2		8683		6987				
1393.043	11639	1.26	c		1.3		1.5				
			$n_{2 \text{ Eck}}$		1		3				
			$n_{2 \text{ th}}$		1		3				

M ... [Nm]
 n ... [r/min]
 J ... [kgcm²]

P ... [kW]
 I ... [A]
 i [-]
 c [-]

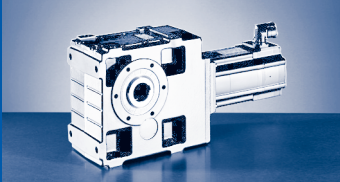


$M_{2GN} \leq 11609 \text{ Nm}$

195C17	195C23	195C35	195C42	21XC17	21XC25	21XC35	21XC42	GKS14-4A			
...F10	...S00	...F10	...S00	...F10	...S00	...F10	...S00	M_1	J_G	M_{2GN}	i
36.30	16.30	36.00	12.00	61.40	24.60	55.00	17.00	n_1			
1700	2340	3510	4150	1710	2490	3520	4160	I_{M400}			
13.9	8.2	28.7	14.0	22.5	13.5	42.5	19.8	P_N			
6.40	4.00	13.20	5.20	11.00	6.40	20.30	7.40	J_M			
72.12	72.12	72.04	72.12	180.04	180.04	180.04	180.04	M_2			
								c			
								$n_{2 \text{ Eck}}$	1.26	11639	1393.043
								$n_{2 \text{ th}}$			

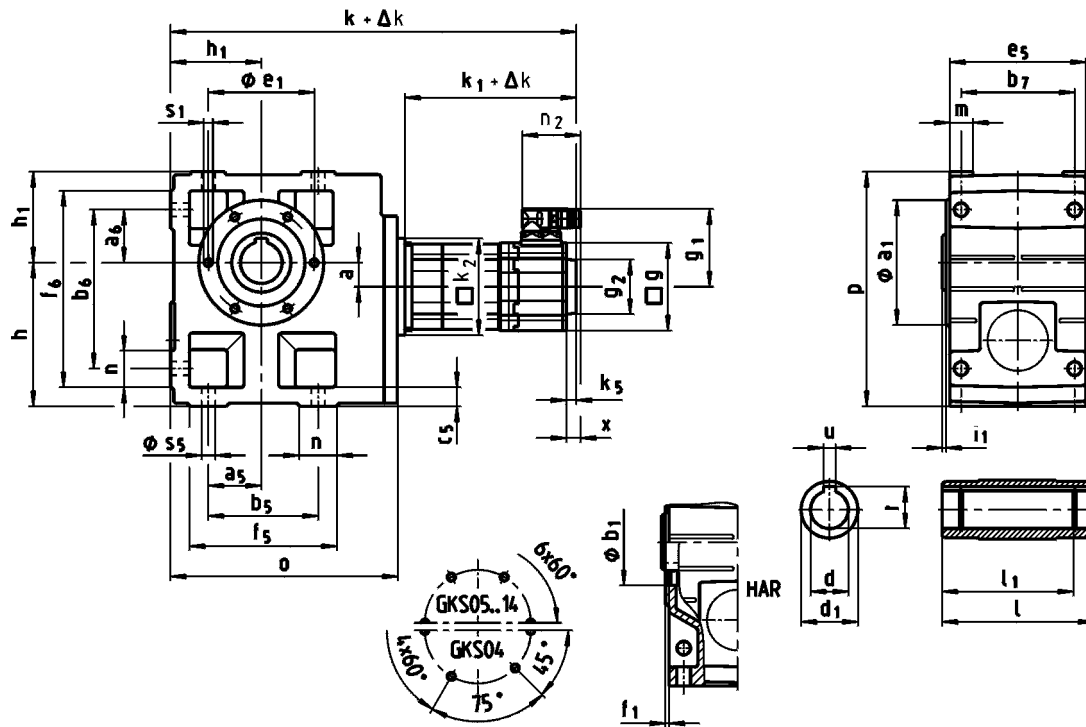
M ... [Nm]
n ... [r/min]
J ... [kgcm²]

P ... [kW]
I ... [A]
i [-]
c [-]



GKS [mm]

GKS□□-3S (MCS)

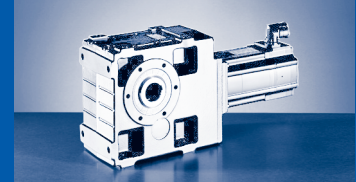


GKS□□-3S H□R ... RSO

		06C C41	06F C41	06I C41	09D C41	09F C38	09H C41	09L C41	12D C20	12D C41	12H C15	12H C30	12H C35	12L C20	12L C41	
GKS04...	k	347	377	407	399	419	439	479								
GKS05...	k	367	397	427	419	439	459	499	436			476			516	
GKS06...	k	423	453	483	475	495	515	555	492			532			572	
GKS07...	k				531	551	571	611	548			588			628	
GKS09...	k								619			659			699	
...RSO B0 ¹⁾	Δk	0														
...RSO P□ ²⁾	Δk	19			20											
	k_1	132	162	192	183	203	223	263	188			228			268	
	k_2	66			91							118				
	g	62			89							116				
...RSO	k_5	0			13							14				
	g_2	□ 62			Ø 67							Ø 72				
	g_1	76			90							105				
	n_2	64								78						
	x					21							18			

¹⁾ → 801 - SRS/SRM/ECN/EQN/EQI/C20

²⁾ GKS05: 12DC20 ... 12LC41



GKS□□-3S H□R ... RSO

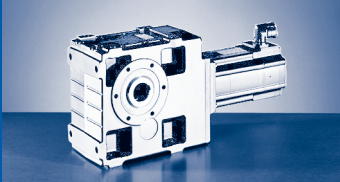
		14D C15	14D C36	14H C15	14H C32	14L C15	14L C32	14P C14	14P C32	19F C14	19F C30	19J C14	19J C30	19P C14	19P C30		
GKS06...	k	508		548		588		628									
GKS07...	k	564		604		644		684		603		643		703			
GKS09...	k	635		675		715		755		674		714		774			
GKS11...	k	726		766		806		846		765		805		865			
GKS14...	k									864		904		964			
...RSO B0 ¹⁾	Δ k	0															
...RSO P□ ²⁾	Δ k	28									34		44				
	k ₁	201		241		281		321		220		260		320			
	k ₂	145						195									
	g	143						192									
...RSO	k ₅	24						15									
	g ₂	Ø 78															
	g ₁	116				147		116	147	141	172	141	172	141	172		
	n ₂	78				94		78	94	78	94	78	94	78	94		
	x	16				38		16	38	16	36	16	36	16	36		

1) → 801 - SRS/SRM/ECN/EQN/EQI/C20

GKS□□-3S H□R

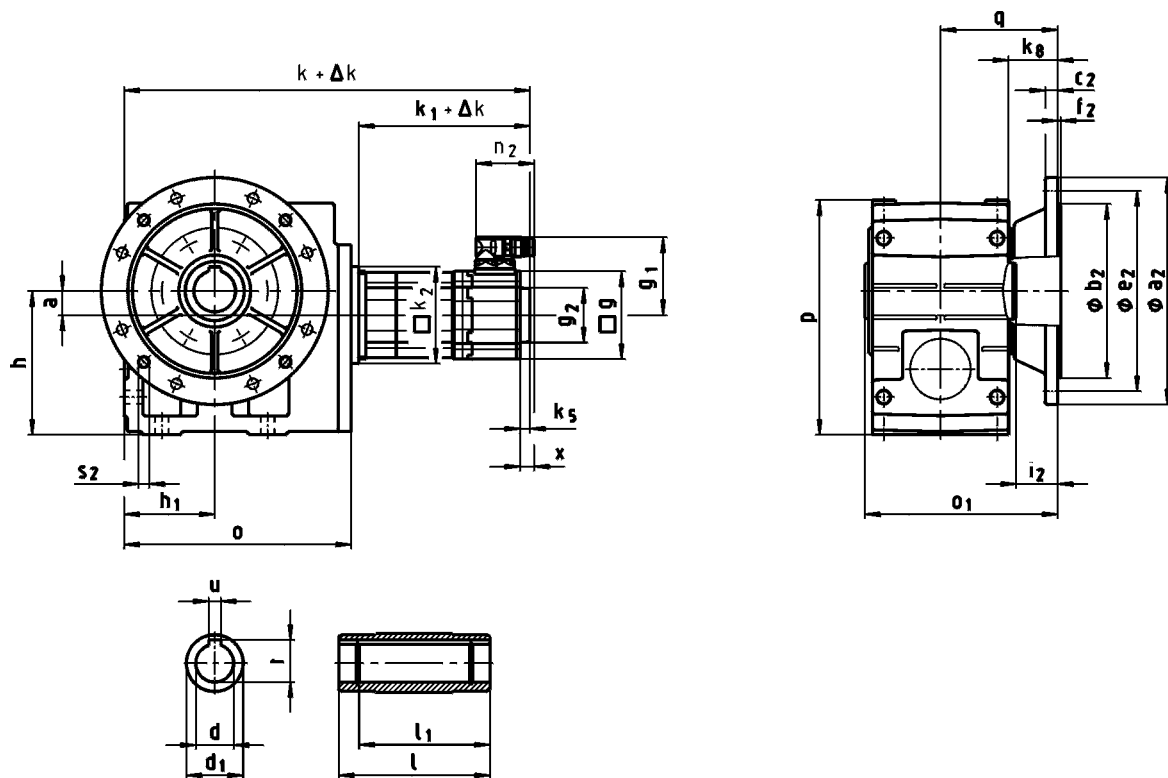
	o	p	h	h ₁	a	a ₅	a ₆	b ₅	b ₆	b ₇	c ₅	e ₅	f ₅	f ₆	m	n	s ₅
GKS04...	203	171	100	71	20	45	45	110	119	85	14	105	132	141	21	22	9
GKS05...	232	205	125	80	23	47.5	47.5	115	140	105	17	127	144	169		29	11
GKS06...	291	250	150	100	28	60	60	155	170	120	20	145	191	206	23	36	14
GKS07...	354	310	190	120	34	70	70	190	210	150	25	180	235	255	28	45	18
GKS09...	429	386	236	150	41	90	90	240	266	185	30	222	300	326	37	60	22
GKS11...	527	485	300	185	54	105	105	290	325	225	40	270	363	398	43	73	26
GKS14...	636	605	375	230	67	135	135	360	415	275	50	328	442	497	52	82	33

	d	l	d ₁	l ₁	u	t	a ₁	b ₁	e ₁	f ₁	i ₁	s ₁
	H7				JS9	+0,2		H7				
GKS04...	25	115	45	100	8	28.3	105	75	90	3	2.5	M6x12
	30					33.3						
GKS05...	35	140	50	124	10	38.3	118	80	100	4	4	M8x15
	40					43.3						
GKS06...	45	160	65	140	14	48.8	140	100	120	5	5	M10x16
	50					53.8						
GKS07...	55	200	75	175	16	59.3	165	115	140	6	6	M12x18
	60					64.4						
GKS09...	70	240	95	210	20	74.9	205	145	175	7	7	M16x24
	80					85.4						
GKS11...	80	290	105	250	22	85.4	240	140	205	8	8	M20x32
	100					106.4						
GKS14...	100	350	135	305	28	106.4	290	170	250	9	9	M24x35



GKS [mm]

GKS□□-3S (MCS)

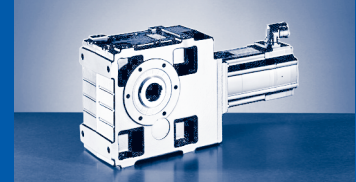


GKS□□-3S HAK ... RSO

		06C C41	06F C41	06I C41	09D C41	09F C38	09H C41	09L C41	12D C20	12D C41	12H C15	12H C30	12H C35	12L C20	12L C41
GKS04...	k	347	377	407	399	419	439	479							
GKS05...	k	367	397	427	419	439	459	499	436			476			516
GKS06...	k	423	453	483	475	495	515	555	492			532			572
GKS07...	k				531	551	571	611	548			588			628
GKS09...	k								619			659			699
...RSO B0 ¹⁾	Δk	0													
...RSO P□ ¹⁾	Δk	19				20									
...RSO	k_1	132	162	192	183	203	223	263	188		228		268		
	k_2	66			91				118					145 ²⁾	
	g	62			89				116						
	k_5	0			13				14						
	g_2	□ 62			Ø 67				Ø 72						
	g_1	76			90				105						
	n_2	64			78										
x	21							18							

¹⁾ → 801 - SRS/SRM/ECN/EQN/EQI/C20

²⁾ GKS05: 12DC20 ... 12LC41



GKS□□-3S HAK ... RSO

		14D C15	14D C36	14H C15	14H C32	14L C15	14L C32	14P C14	14P C32	19F C14	19F C30	19J C14	19J C30	19P C14	19P C30				
GKS06...	k	508		548		588		628											
GKS07...	k	564		604		644		684		603		643		703					
GKS09...	k	635		675		715		755		674		714		774					
GKS11...	k	726		766		806		846		765		805		865					
GKS14...	k									864		904		964					
...RSO B0 ¹⁾	Δ k	0																	
...RSO P□ ²⁾	Δ k	28						34			44								
	k ₁	201		241		281		321		220		260		320					
	k ₂	145						195											
	g	143						192											
...RSO	k ₅	24						15											
	g ₂	Ø 78																	
	g ₁	116				147		116		147		141		172		141		172	
	n ₂	78				94		78		94		78		94		78		94	
	x	16				38		16		38		16		36		16		36	

¹⁾ →  801 - SRS/SRM/ECN/EQN/EQI/C20

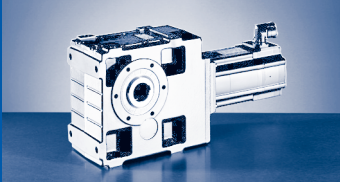
GKS□□-3S HAK

	o	o ₁	p	h	h ₁	a	q	k _g
GKS04...	203	149	171	100	71	20	91	39
GKS05...	232	174	205	125	80	23	103.5	40
GKS06...	291	203 ²⁾ 202 ³⁾	250	150	100	28	122.5 ²⁾ 121.5 ³⁾	50 ²⁾ 49 ³⁾
GKS07...	354	256	310	190	120	34	155.5	66
GKS09...	429	301	386	236	150	41	180.5	70
GKS11...	527	351	485	300	185	54	205.5	71
GKS14...	636	411	605	375	230	67	235.5	72

²⁾ a₂ = 200

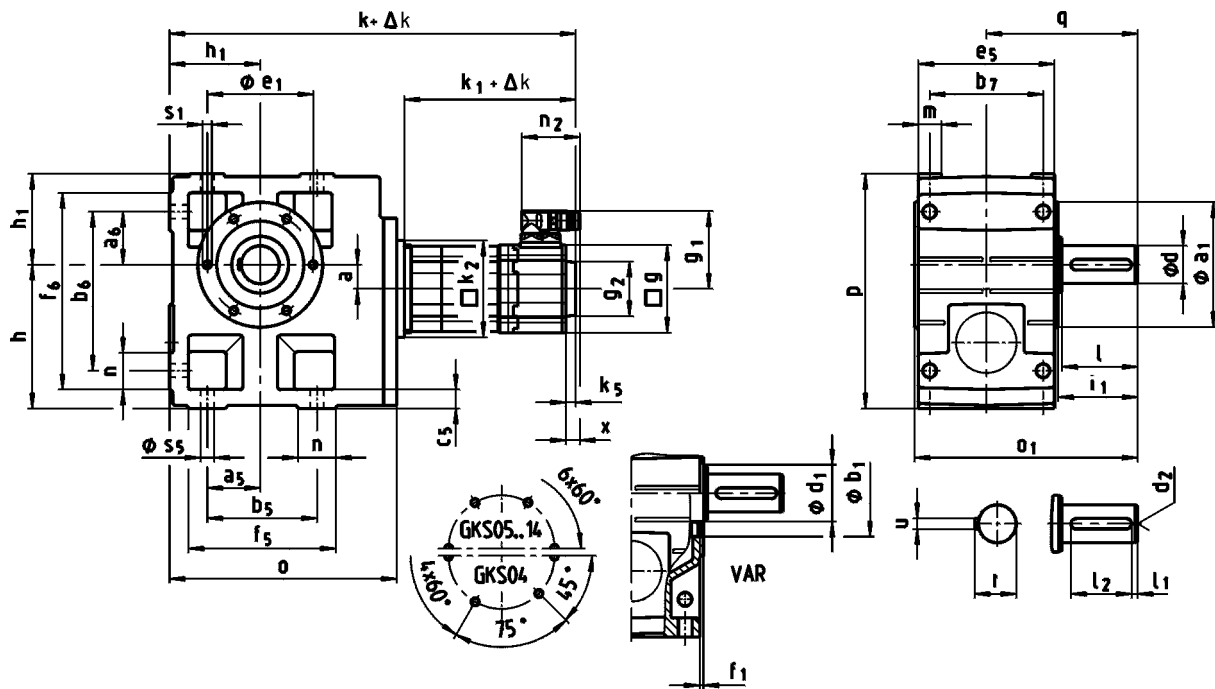
³⁾ a₂ = 250

	d	l	d ₁	l ₁	u	t	a ₂	b ₂	c ₂	e ₂	f ₂	i ₂	s ₂
	H7				JS9	+0,2		j7					
GKS04...	25	115	45	100	8	28.3	160	110	10	130	3.5	33.5	4 x 9
	30					33.3							
GKS05...	35	140	50	124	10	38.3	200	130	12	165	4	55.5	4 x 11
	40					43.3							
GKS06...	45	160	65	140	14	48.8	250	180	15	215	5	60.5	4 x 14
	50					53.8							
GKS07...	55	200	75	175	16	59.3	300	230	17	265	5	60.5	4 x 17.5
	60					64.4							
GKS09...	70	240	95	210	20	74.9	350	250	18	300	5	60.5	4 x 17.5
	80					85.4							
GKS11...	80	290	105	250	22	85.4	400	300	20	350	5	60.5	4 x 17.5
	100					106.4							
GKS14...	100	350	135	305	28	106.4	450	350	22	400	5	60.5	8 x 17.5



GKS [mm]

GKS□□-3S (MCS)

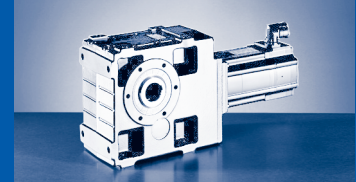


GKS□□-3S V□R ... RSO

		06C C41	06F C41	06I C41	09D C41	09F C38	09H C41	09L C41	12D C20	12D C41	12H C15	12H C30	12H C35	12L C20	12L C41	
GKS04...	k	347	377	407	399	419	439	479								
GKS05...	k	367	397	427	419	439	459	499	436		476			516		
GKS06...	k	423	453	483	475	495	515	555	492		532			572		
GKS07...	k				531	551	571	611	548		588			628		
GKS09...	k								619		659			699		
...RSO B0 ¹⁾	Δ k	0														
...RSO P□ ¹⁾	Δ k	19				20										
...RSO	k ₁	132	162	192	183	203	223	263	188		228			268		
	k ₂	66			91				118				145 ²⁾			
	g	62			89				116							
	k ₅	0			13				14							
	g ₂	□ 62			Ø 67				Ø 72							
	g ₁	76			90				105							
	n ₂	64							78							
	x				21				18							

¹⁾ → 801 - SRS/SRM/ECN/EQN/EQI/C20

²⁾ GKS05: 12DC20 ... 12LC41



GKS□□-3S V□R ... RSO

		14D C15	14D C36	14H C15	14H C32	14L C15	14L C32	14P C14	14P C32	19F C14	19F C30	19J C14	19J C30	19P C14	19P C30				
GKS06...	k	508		548		588		628											
GKS07...	k	564		604		644		684		603		643		703					
GKS09...	k	635		675		715		755		674		714		774					
GKS11...	k	726		766		806		846		765		805		865					
GKS14...	k									864		904		964					
...RSO B0 ¹⁾	Δ k	0																	
...RSO P□ ²⁾	Δ k	28						34			44								
	k ₁	201		241		281		321		220		260		320					
	k ₂	145						195											
	g	143						192											
...RSO	k ₅	24						15											
	g ₂	Ø 78																	
	g ₁	116				147		116		147		141		172		141		172	
	n ₂	78				94		78		94		78		94		78		94	
	x	16				38		16		38		16		36		16		36	

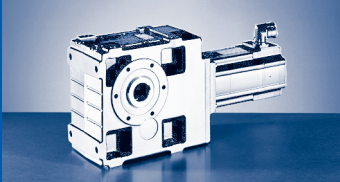
¹⁾ →  801 - SRS/SRM/ECN/EQN/EQI/C20

GKS□□-3S V□R

	o	o ₁	p	h	h ₁	a	q	a ₅	a ₆	b ₅	b ₆	b ₇	c ₅	e ₅	f ₅	f ₆	m	n	s ₅
GKS04...	203	163	171	100	71	20	107.5	45	45	110	119	85	14	105	132	141	21	22	9
GKS05...	232	197	205	125	80	23	130	47.5	47.5	115	140	105	17	127	144	169		29	11
GKS06...	291	236	250	150	100	28	160	60	60	155	170	120	20	145	191	206	23	36	14
GKS07...	354	296	310	190	120	34	200	70	70	190	210	150	25	180	235	255	28	45	18
GKS09...	429	356	386	236	150	41	240	90	90	240	266	185	30	222	300	326	37	60	22
GKS11...	527	445	485	300	185	54	305	105	105	290	325	225	40	270	363	398	43	73	26
GKS14...	636	544	605	375	230	67	375	135	135	360	415	275	50	328	442	497	52	82	33

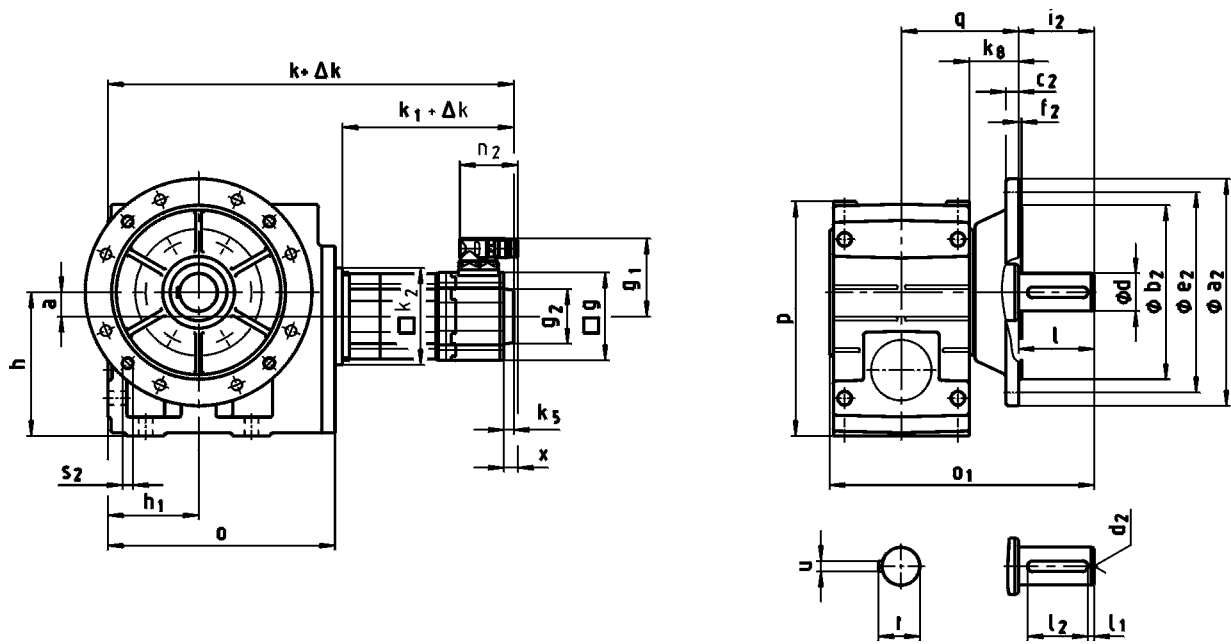
	d	l	d ₁	l ₁	l ₂	d ₂	u	t	a ₁	b ₁	e ₁	f ₁	i ₁	s ₁
										H7				
GKS04...	25	50	45	4	40	M10	8	28	105	75	90	3	52.5	M6x12
GKS05...	30	60	50	6	45			33	118	80	100	4	64	M8x15
GKS06...	40	80	65	7	63	M16	12	43	140	100	120		85	M10x16
GKS07...	50	100	75	8	80			14	53.5	165	115	140	5	105
GKS09...	60	120	95		100	M20	18	64	205	145	175	6	125	M16x24
GKS11...	80	160	105	15	125		22	85	240	140	205		166	M20x32
GKS14...	100	200	135	18	160	M24	28	106	290	170	250	207	M24x35	

d ≤ 50 mm: k6; d > 50 mm: m6



GKS [mm]

GKS□□-3S (MCS)

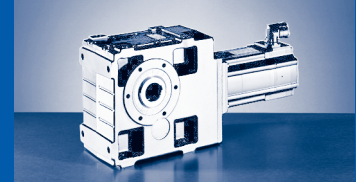


GKS□□-3S VAK ... RSO

		06C C41	06F C41	06I C41	09D C41	09F C38	09H C41	09L C41	12D C20	12D C41	12H C15	12H C30	12H C35	12L C20	12L C41
GKS04...	k	347	377	407	399	419	439	479							
GKS05...	k	367	397	427	419	439	459	499	436			476			516
GKS06...	k	423	453	483	475	495	515	555	492			532			572
GKS07...	k				531	551	571	611	548			588			628
GKS09...	k								619			659			699
...RSO B0 ¹⁾	Δk	0													
...RSO P□ ¹⁾	Δk	19				20									
	k_1	132	162	192	183	203	223	263	188		228		268		
	k_2	66			91						118		145 ²⁾		
	g	62			89						116				
...RSO	k_5	0			13						14				
	g_2	□ 62			Ø 67						Ø 72				
	g_1	76			90						105				
	n_2	64							78						
	x				21						18				

¹⁾ → 801 - SRS/SRM/ECN/EQN/EQI/C20

²⁾ GKS05: 12DC20 ... 12LC41



GKS□□-3S VAK ... RSO

		14D C15	14D C36	14H C15	14H C32	14L C15	14L C32	14P C14	14P C32	19F C14	19F C30	19J C14	19J C30	19P C14	19P C30				
GKS06...	k	508		548		588		628											
GKS07...	k	564		604		644		684		603		643		703					
GKS09...	k	635		675		715		755		674		714		774					
GKS11...	k	726		766		806		846		765		805		865					
GKS14...	k									864		904		964					
...RSO B0 ¹⁾	Δ k	0																	
...RSO P□ ²⁾	Δ k	28						34			44								
	k ₁	201		241		281		321		220		260		320					
	k ₂	145						195											
	g	143						192											
...RSO	k ₅	24						15											
	g ₂	Ø 78																	
	g ₁	116				147		116		147		141		172		141		172	
	n ₂	78				94		78		94		78		94		78		94	
	x	16				38		16		38		16		36		16		36	

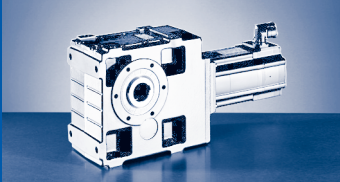
¹⁾ →  801 - SRS/SRM/ECN/EQN/EQI/C20

GKS□□-3S VAK

	o	o ₁	p	h	h ₁	a	q	k _g
GKS04...	203	196	171	100	71	20	91	39
GKS05...	232	230	205	125	80	23	103.5	40
GKS06...	291	277	250	150	100	28	121.5	49
GKS07...	354	351	310	190	120	34	155.5	66
GKS09...	429	416	386	236	150	41	180.5	70
GKS11...	527	505	485	300	185	54	205.5	71
GKS14...	636	604	605	375	230	67	235.5	72

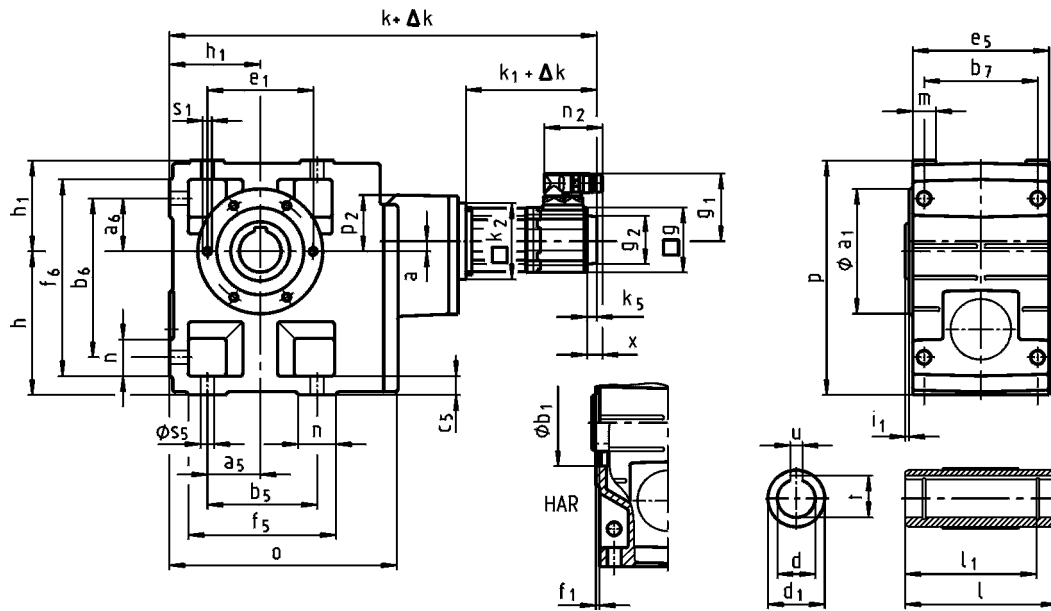
	d	l	l ₁	l ₂	d ₂	u	t	a ₂	b ₂	c ₂	e ₂	f ₂	i ₂	s ₂
									j7					
GKS04...	25	50	4	40	M10	8	28	160	110	10	130	3.5	50	4 x 9
GKS05...	30	60	6	45			33	200	130	12	165		60	4 x 11
GKS06...	40	80	7	63	M16	14	43	250	180	15	215	4	80	4 x 14
GKS07...	50	100	8	80			53.5						300	
GKS09...	60	120		100	M20	22	64	350	250	18	300	5	120	4 x 17.5
GKS11...	80	160	15	125			85	400	300	20	350		160	
GKS14...	100	200	18	160	M24	28	106	450	350	22	400		200	8 x 17.5

d ≤ 50 mm: k6; d > 50 mm: m6



GKS [mm]

GKS□□-4S (MCS)

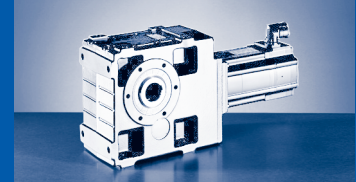


GKS□□-4S H□R ... RSO

		06C C41	06F C41	06I C41	09D C41	09F C38	09H C41	09L C41	12D C20	12D C41	12H C15	12H C30	12H C35	12L C20	12L C41		
GKS05...	k	443	473	503	496	516	536	576									
GKS06...	k	516	546	576	569	589	609	649									
GKS07...	k	583	613	643	636	656	676	716	653		693			733			
GKS09...	k	672	702	732	725	745	765	805	742		782			822			
GKS11...	k				835	855	875	915	852		892			932			
GKS14...	k								985		1025			1065			
...RSO B0 ¹⁾	Δk	0															
...RSO P□ ¹⁾	Δk	19				20											
	k_1	132	162	192	183	203	223	263	188		228			268			
	k_2	66			91						118	145 ²⁾					
	g	62			89						116						
...RSO	k_5	0			13						14						
	g_2	□ 62			Ø 67						Ø 72						
	g_1	76			90						105						
	n_2	64								78							
	x	21												18			

¹⁾ → 801 - SRS/SRM/ECN/EQN/EQI/C20

²⁾ GKS07: 12DC20 ... 12LC41



GKS□□-4S H□R ... RSO

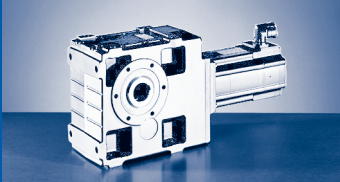
		14D C15	14D C36	14H C15	14H C32	14L C15	14L C32	14P C14	14P C32	19F C14	19F C30	19J C14	19J C30	19P C14	19P C30	
GKS09...	k	757		797		837		877								
GKS11...	k	867		907		947		987		906		946		1006		
GKS14...	k	1000		1040		1080		1120		1039		1079		1139		
...RSO B0 ¹⁾	Δ k	0														
...RSO P□ ¹⁾	Δ k	28						34			44					
	k ₁	201		241		281		321		220		260		320		
	k ₂	145						195								
	g	143						192								
...RSO	k ₅	24						15								
	g ₂	Ø 78														
	g ₁	116				147		116	147	141	172	141	172	141	172	
	n ₂	78				94		78	94	78	94	78	94	78	94	
	x	16				38		16	38	16	36	16	36	16	36	

1) → 801 - SRS/SRM/ECN/EQN/EQI/C20

GKS□□-4S H□R

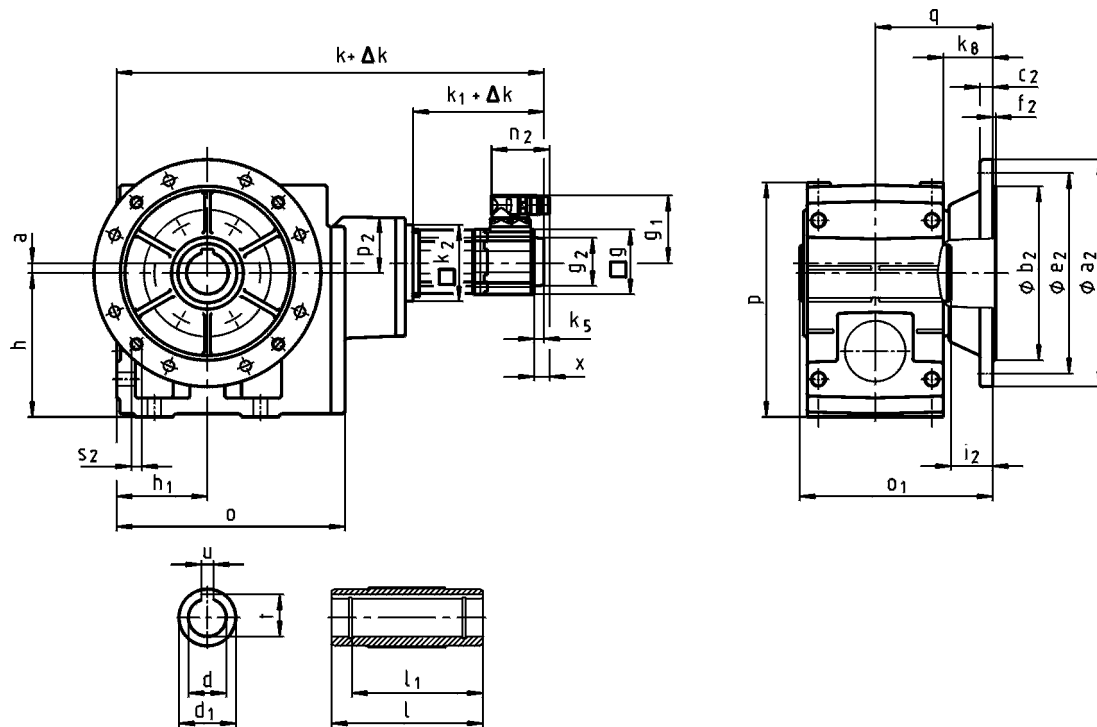
	o	p	p ₂	h	h ₁	a	a ₅	a ₆	b ₅	b ₆	b ₇	c ₅	e ₅	f ₅	f ₆	m	n	s ₅
GKS05...	226	205	65	125	80	13	47.5	47.5	115	140	105	17	127	144	169	21	29	11
GKS06...	288	250	61	150	100	8	60	60	155	170	120	20	145	191	206	23	36	14
GKS07...	351	310	72	190	120	11	70	70	190	210	150	25	180	235	255	28	45	18
GKS09...	426	386	92	236	150	15	90	90	240	266	185	30	222	300	326	37	60	22
GKS11...	523	485	112	300	185	16	105	105	290	325	225	40	270	363	398	43	73	26
GKS14...	632	605	139	375	230	22	135	135	360	415	275	50	328	442	497	52	82	33

	d	l	d ₁	l ₁	u	t	a ₁	b ₁	e ₁	f ₁	i ₁	s ₁	
	H7				JS9	+0,2		H7				6x60°	
GKS05...	30	140	50	124	8	33.3	118	80	100	4	4	M8x15	
	35				10	38.3							
GKS06...	40	160	65	140	12	43.3	140	100	120		5	5	M10x16
	45				14	48.8							
GKS07...	50	200	75	175	14	53.8	165	115	140	6	6	M12x18	
	55				16	59.3							
GKS09...	60	240	95	210	18	64.4	205	145	175	7	7	M16x24	
	70				20	74.9							
GKS11...	80	290	105	250	22	85.4	240	140	205	8	8	M20x32	
	80				22	85.4							
GKS14...	100	350	135	305	28	106.4	290	170	250	9	9	M24x35	



GKS [mm]

GKS□□-4S (MCS)

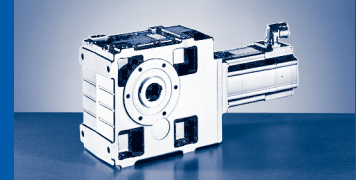


GKS□□-4S HAK ... RSO

		06C C41	06F C41	06I C41	09D C41	09F C38	09H C41	09L C41	12D C20	12D C41	12H C15	12H C30	12H C35	12L C20	12L C41	
GKS05...	k	443	473	503	496	516	536	576								
GKS06...	k	516	546	576	569	589	609	649								
GKS07...	k	583	613	643	636	656	676	716	653		693			733		
GKS09...	k	672	702	732	725	745	765	805	742		782			822		
GKS11...	k				835	855	875	915	852		892			932		
GKS14...	k								985		1025			1065		
...RSO B0 ¹⁾	Δk	0														
...RSO P□ ²⁾	Δk	19				20										
	k_1	132	162	192	183	203	223	263	188		228			268		
	k_2	66			91				118				145 ²⁾			
...RSO	g	62			89				116							
	k_5	0			13				14							
	g_2	□ 62			Ø 67				Ø 72							
	g_1	76			90				105							
	n_2	64							78							
	x					21				18						

¹⁾ → 801 - SRS/SRM/ECN/EQN/EQI/C20

²⁾ GKS07: 12DC20 ... 12LC41



GKS□□-4S HAK ... RSO

		14D C15	14D C36	14H C15	14H C32	14L C15	14L C32	14P C14	14P C32	19F C14	19F C30	19J C14	19J C30	19P C14	19P C30				
GKS09...	k	757		797		837		877											
GKS11...	k	867		907		947		987		906		946		1006					
GKS14...	k	1000		1040		1080		1120		1039		1079		1139					
...RSO B0 ¹⁾	Δ k	0																	
...RSO P□ ²⁾	Δ k	28						34			44								
	k ₁	201		241		281		321		220		260		320					
	k ₂	145						195											
	g	143						192											
...RSO	k ₅	24						15											
	g ₂	Ø 78																	
	g ₁	116				147		116		147		141		172		141		172	
	n ₂	78				94		78		94		78		94		78		94	
	x	16				38		16		38		16		36		16		36	

¹⁾ → 801 - SRS/SRM/ECN/EQN/EQI/C20

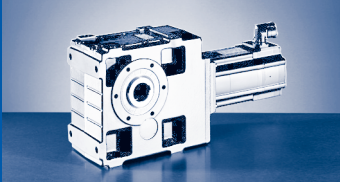
GKS□□-4S HAK

	o	o ₁	p	p ₂	h	h ₁	a	q	k _g
GKS05...	226	174	205	65	125	80	13	103.5	40
GKS06...	288	203 ²⁾ 202 ³⁾	250	61	150	100	8	122.5 ²⁾ 121.5 ³⁾	50 ²⁾ 49 ³⁾
GKS07...	351	256	310	72	190	120	11	155.5	66
GKS09...	426	301	386	92	236	150	15	180.5	70
GKS11...	523	351	485	112	300	185	16	205.5	71
GKS14...	632	411	605	139	375	230	22	235.5	72

²⁾ a₂ = 200

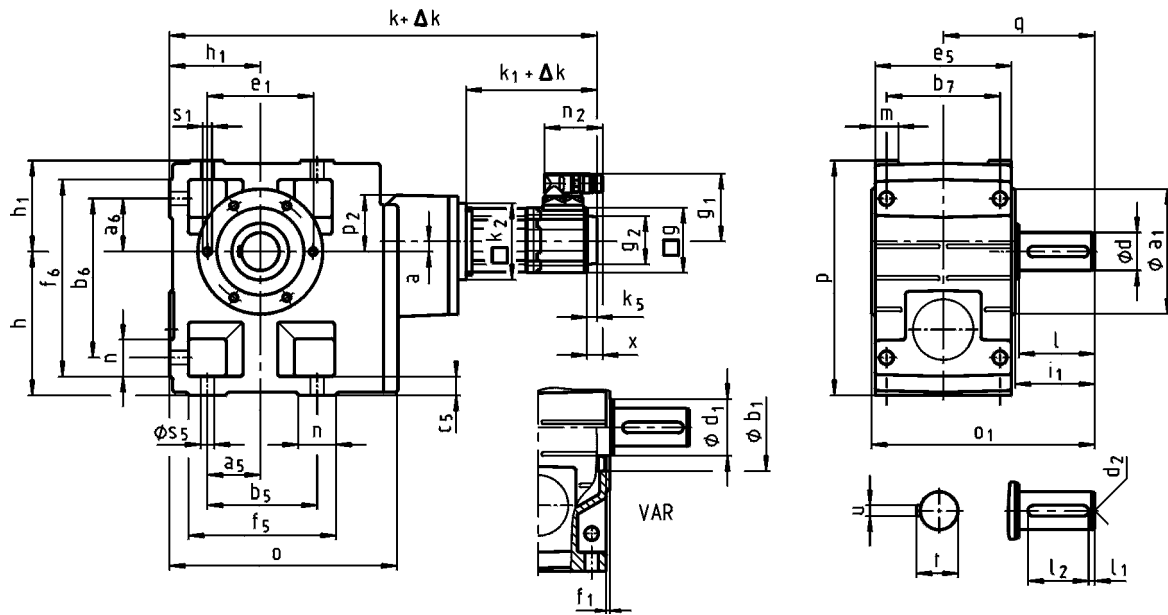
³⁾ a₂ = 250

	d	l	d ₁	l ₁	u	t	a ₂	b ₂	c ₂	e ₂	f ₂	i ₂	s ₂
	H7				JS9	+0,2		j7					
GKS05...	30	140	50	124	8	33.3	200	130	12	165	3.5	33.5	4 x 11
	35				10	38.3							
GKS06...	40	160	65	140	12	43.3	250	180	15	215	4	41.5	4 x 14
	45				14	48.8							
GKS07...	50	200	75	175	14	53.8	300	230	17	265	4	55.5	4 x 17.5
	55				16	59.3							
GKS09...	60	240	95	210	18	64.4	350	250	18	300	5	60.5	4 x 17.5
	70				20	74.9							
GKS11...	80	290	105	250	22	85.4	400	300	20	350	5	60.5	8 x 17.5
	80				22	85.4							
GKS14...	100	350	135	305	28	106.4	450	350	22	400	5	60.5	8 x 17.5



GKS [mm]

GKS□□-4S (MCS)

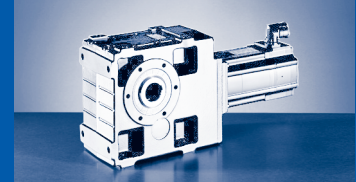


GKS□□-4S V□R ... RSO

		06C C41	06F C41	06I C41	09D C41	09F C38	09H C41	09L C41	12D C20	12D C41	12H C15	12H C30	12H C35	12L C20	12L C41		
GKS05...	k	443	473	503	496	516	536	576									
GKS06...	k	516	546	576	569	589	609	649									
GKS07...	k	583	613	643	636	656	676	716	653		693			733			
GKS09...	k	672	702	732	725	745	765	805	742		782			822			
GKS11...	k				835	855	875	915	852		892			932			
GKS14...	k								985		1025			1065			
...RSO B0 ¹⁾	Δk	0															
...RSO P□ ²⁾	Δk	19								20							
...RSO	k_1	132	162	192	183	203	223	263	188		228			268			
	k_2	66			91				118				145 ²⁾				
	g	62			89				116								
	k_5	0			13				14								
	g_2	□ 62			Ø 67				Ø 72								
	g_1	76			90				105								
	n_2	64							78								
	x					21								18			

¹⁾ → 801 - SRS/SRM/ECN/EQN/EQI/C20

²⁾ GKS07: 12DC20 ... 12LC41



GKS□□-4S V□R ... RSO

		14D C15	14D C36	14H C15	14H C32	14L C15	14L C32	14P C14	14P C32	19F C14	19F C30	19J C14	19J C30	19P C14	19P C30				
GKS09...	k	757		797		837		877											
GKS11...	k	867		907		947		987		906		946		1006					
GKS14...	k	1000		1040		1080		1120		1039		1079		1139					
...RSO B0 ¹⁾	Δ k	0																	
...RSO P□ ¹⁾	Δ k	28						34			44								
	k ₁	201		241		281		321		220		260		320					
	k ₂	145						195											
	g	143						192											
...RSO	k ₅	24						15											
	g ₂	Ø 78																	
	g ₁	116				147		116		147		141		172		141		172	
	n ₂	78				94		78		94		78		94		78		94	
	x	16				38		16		38		16		36		16		36	

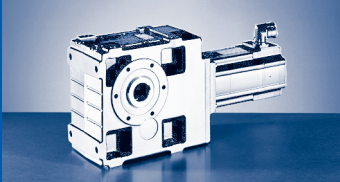
¹⁾ → 801 - SRS/SRM/ECN/EQN/EQI/C20

GKS□□-4S V□R

	o	o ₁	p	p ₂	h	h ₁	a	q	a ₅	a ₆	b ₅	b ₆	b ₇	c ₅	e ₅	f ₅	f ₆	m	n	s ₅
GKS05...	226	197	205	65	125	80	13	130	47.5	47.5	115	140	105	17	127	144	169	21	29	11
GKS06...	288	236	250	61	150	100	8	160	60	60	155	170	120	20	145	191	206	23	36	14
GKS07...	351	296	310	72	190	120	11	200	70	70	190	210	150	25	180	235	255	28	45	18
GKS09...	426	356	386	92	236	150	15	240	90	90	240	266	185	30	222	300	326	37	60	22
GKS11...	523	445	485	112	300	185	16	305	105	105	290	325	225	40	270	363	398	43	73	26
GKS14...	632	544	605	139	375	230	22	375	135	135	360	415	275	50	328	442	497	52	82	33

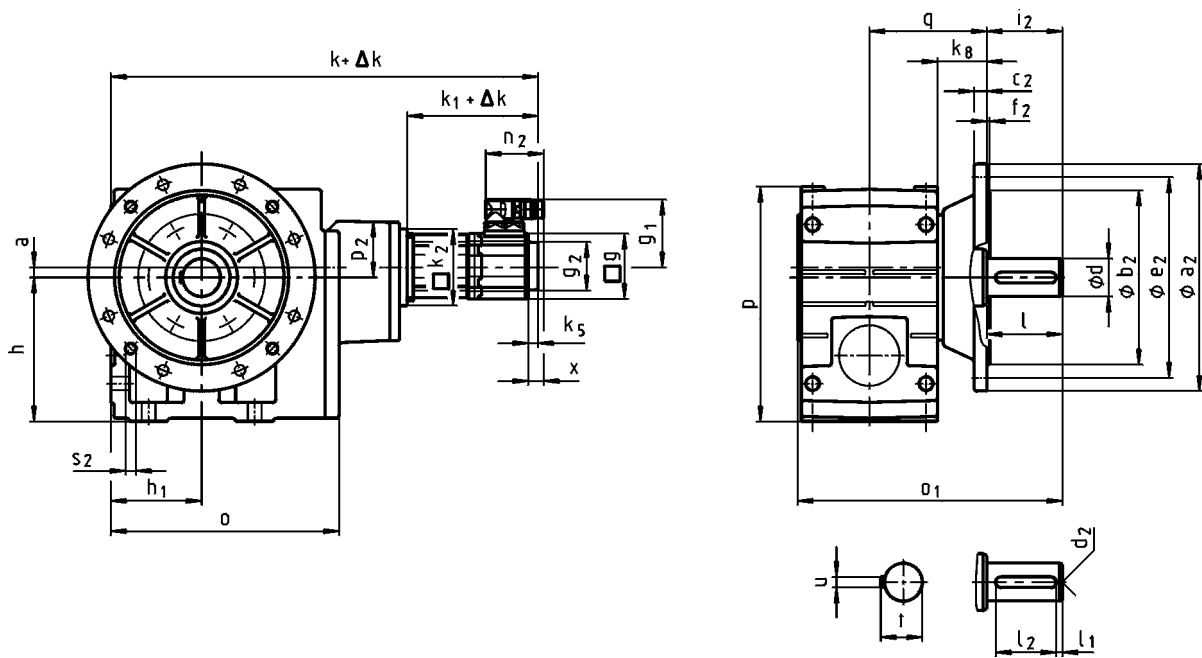
	d	l	d ₁	l ₁	l ₂	d ₂	u	t	a ₁	b ₁	e ₁	f ₁	i ₁	s ₁
										H7				6x60°
GKS05...	30	60	50	6	45	M10	8	33	118	80	100	4	64	M8x15
GKS06...	40	80	65	7	63	M16	12	43	140	100	120		85	M10x16
GKS07...	50	100	75	8	80		14	53.5	165	115	140	5	105	M12x18
GKS09...	60	120	95		100	M20	18	64	205	145	175	6	125	M16x24
GKS11...	80	160	105	125	22		85	240	140	205	166		M20x32	
GKS14...	100	200	135	18	160	M24	28	106	290	170	250	207	M24x35	

d ≤ 50 mm: k6; d > 50 mm: m6



GKS [mm]

GKS□□-4S (MCS)

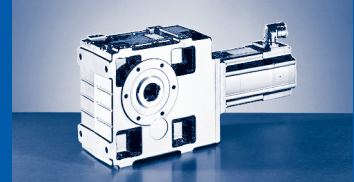


GKS□□-4S VAK ... RSO

		06C C41	06F C41	06I C41	09D C41	09F C38	09H C41	09L C41	12D C20	12D C41	12H C15	12H C30	12H C35	12L C20	12L C41	
GKS05...	k	443	473	503	496	516	536	576								
GKS06...	k	516	546	576	569	589	609	649								
GKS07...	k	583	613	643	636	656	676	716	653		693			733		
GKS09...	k	672	702	732	725	745	765	805	742		782			822		
GKS11...	k				835	855	875	915	852		892			932		
GKS14...	k								985		1025			1065		
...RSO B0 ¹⁾	Δk	0														
...RSO P□ ¹⁾	Δk	19				20										
	k_1	132	162	192	183	203	223	263	188		228			268		
	k_2	66			91						118	145 ²⁾				
	g	62			89						116					
...RSO	k_5	0			13						14					
	g_2	□ 62			Ø 67						Ø 72					
	g_1	76			90						105					
	n_2	64								78						
	x					21								18		

¹⁾ → 801 - SRS/SRM/ECN/EQN/EQI/C20

²⁾ GKS07: 12DC20 ... 12LC41



GKS□□-4S VAK ... RSO

		14D C15	14D C36	14H C15	14H C32	14L C15	14L C32	14P C14	14P C32	19F C14	19F C30	19J C14	19J C30	19P C14	19P C30				
GKS09...	k	757		797		837		877											
GKS11...	k	867		907		947		987		906		946		1006					
GKS14...	k	1000		1040		1080		1120		1039		1079		1139					
...RSO B0 ¹⁾	Δ k	0																	
...RSO P□ ¹⁾	Δ k	28						34			44								
	k ₁	201		241		281		321		220		260		320					
	k ₂	145						195											
	g	143						192											
...RSO	k ₅	24						15											
	g ₂	Ø 78																	
	g ₁	116				147		116		147		141		172		141		172	
	n ₂	78				94		78		94		78		94		78		94	
	x	16				38		16		38		16		36		16		36	

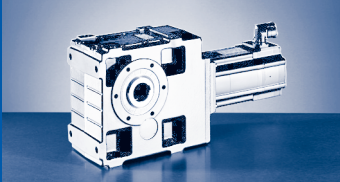
1) → 801 - SRS/SRM/ECN/EQN/EQI/C20

GKS□□-4S VAK

	o	o ₁	p	p ₂	h	h ₁	a	q	k _g
GKS05...	226	230	205	65	125	80	13	103.5	40
GKS06...	288	277	250	61	150	100	8	121.5	49
GKS07...	351	351	310	72	190	120	11	155.5	66
GKS09...	426	416	386	92	236	150	15	180.5	70
GKS11...	523	505	485	112	300	185	16	205.5	71
GKS14...	632	604	605	139	375	230	22	235.5	72

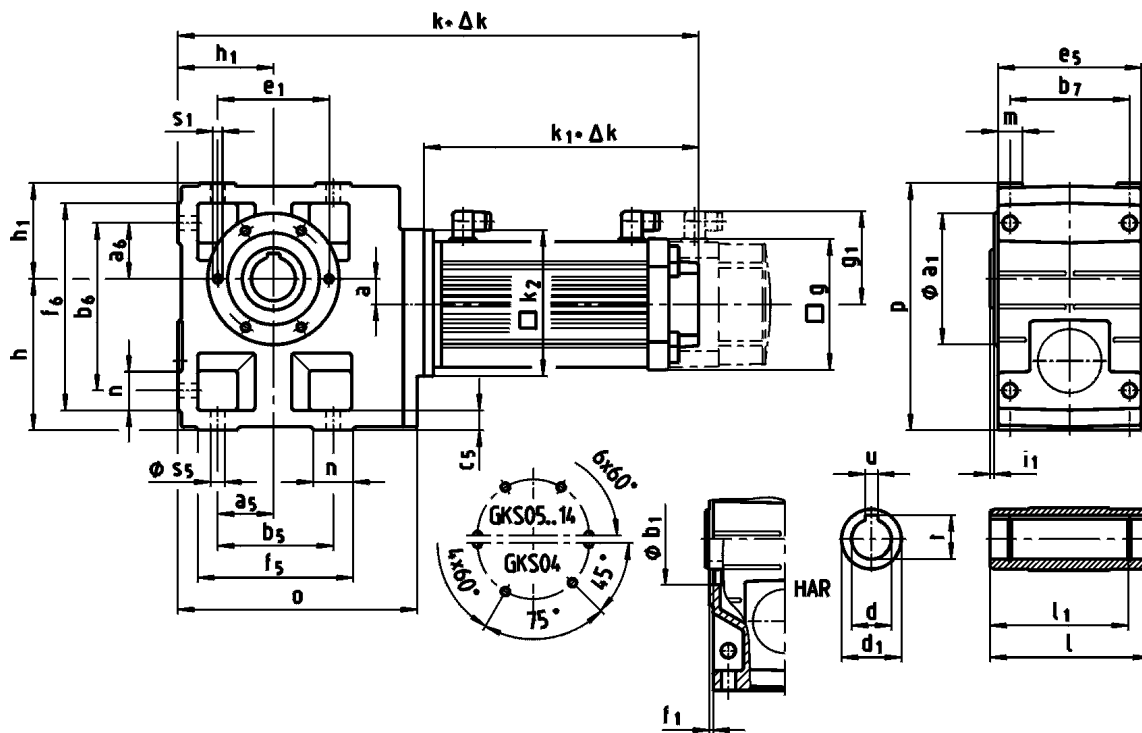
	d	l	l ₁	l ₂	d ₂	u	t	a ₂	b ₂	c ₂	e ₂	f ₂	i ₂	s ₂
GKS05...	30	60	6	45	M10	8	33	200	130	12	165	3.5	60	4 x 11
GKS06...	40	80	7	63	M16	12	43	250	180	15	215	4	80	4 x 14
GKS07...	50	100	8	80		14	53.5	300	230	17	265		100	
GKS09...	60	120		100	M20	18	64	350	250	18	300	5	120	4 x 17.5
GKS11...	80	160	15	125		22	85	400	300	20	350		160	
GKS14...	100	200	18	160		M24	28	106	450	350	22		400	

d ≤ 50 mm: k6; d > 50 mm: m6



GKS [mm]

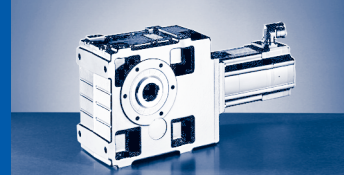
GKS□□-3A (MCA)



GKS□□-3A H□R ... RSO

		10I C40 ...S00	13I C41 ...S00	13I C34 ...F10	14L C20 ...S00	14L C41 ...S00	14L C16 ...F10	14L C35 ...F10	17N C23 ...S00	17N C41 ...S00
GKS04...	k	475	483	551						
GKS05...	k	495	503	571	553		615			
GKS06...	k	551	559	627	609		671		648	
GKS07...	k	607	615	683	665		727		704	
GKS09...	k				736		798		775	
GKS11...	k				827		889		866	
...RSO B0 ¹⁾	Δ k	0								
...RSO P□ ¹⁾	Δ k	25	35			33			35	
	k ₁	258	267	335	307		369		346	
	k ₂	145				180				
	g	102	131			142			165	
	g ₁	90	102			109			118	

¹⁾ → 803 - SRS/SRM/ECN/EQN/EQI/S20/T20/CDD



GKS□□-3A H□R ... RSO

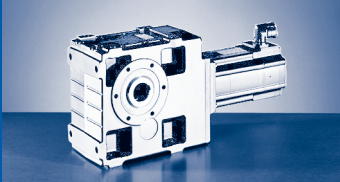
		17N C17 ...F10	17N C35 ...F10	19S C23 ...S00	19S C42 ...S00	19S C17 ...F10	19S C35 ...F10	21X C25 ...S00	21X C42 ...S00	21X C17 ...F10	21X C35 ...F10		
GKS06...	k	737											
GKS07...	k	793		773		870		851		947			
GKS09...	k	864		844		941		922		1018			
GKS11...	k	955		935		1032		1013		1109			
GKS14...	k			1034		1131		1112		1208			
...RSO B0 ¹⁾	Δ k	0											
...RSO P□ ¹⁾	Δ k	35			38			42					
	k ₁	435		408		505		479		575			
	k ₂	180				222				265			
	g	165				192				214			
	g ₁	118				161				172			

¹⁾ → 803 - SRS/SRM/ECN/EQN/EQI/S20/T20/CDD

GKS□□-3A H□R

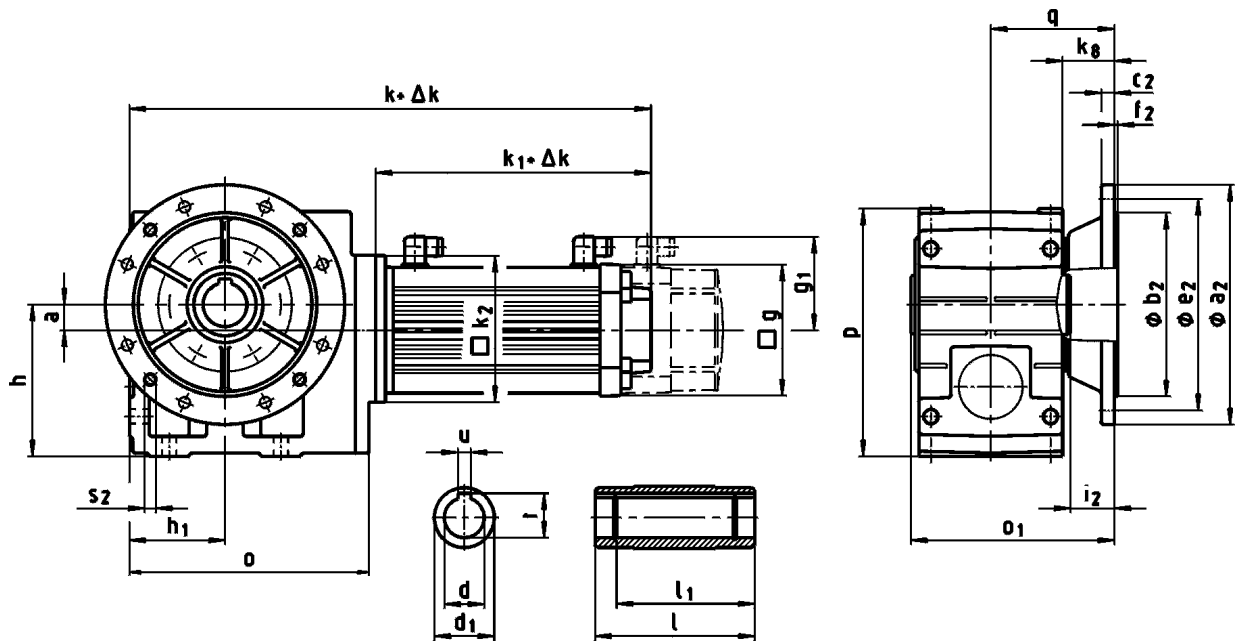
	o	p	h	h ₁	a	a ₅	a ₆	b ₅	b ₆	b ₇	c ₅	e ₅	f ₅	f ₆	m	n	s ₅
GKS04...	203	171	100	71	20	45	45	110	119	85	14	105	132	141	21	22	9
GKS05...	232	205	125	80	23	47.5	47.5	115	140	105	17	127	144	169		29	11
GKS06...	291	250	150	100	28	60	60	155	170	120	20	145	191	206	23	36	14
GKS07...	354	310	190	120	34	70	70	190	210	150	25	180	235	255	28	45	18
GKS09...	429	386	236	150	41	90	90	240	266	185	30	222	300	326	37	60	22
GKS11...	527	485	300	185	54	105	105	290	325	225	40	270	363	398	43	73	26
GKS14...	636	605	375	230	67	135	135	360	415	275	50	328	442	497	52	82	33

	d	l	d ₁	l ₁	u	t	a ₁	b ₁	e ₁	f ₁	i ₁	s ₁
	H7				JS9	+0,2		H7				
GKS04...	25	115	45	100	8	28.3	105	75	90	3	2.5	M6x12
	30					33.3						
GKS05...	35	140	50	124	10	38.3	118	80	100	4	4	M8x15
	40					43.3						
GKS06...	45	160	65	140	14	48.8	140	100	120	5	5	M10x16
	50					53.8						
GKS07...	55	200	75	175	16	59.3	165	115	140	6	6	M12x18
	60					64.4						
GKS09...	70	240	95	210	20	74.9	205	145	175	7	7	M16x24
	80					85.4						
GKS11...	80	290	105	250	22	85.4	240	140	205	8	8	M20x32
	100					106.4						
GKS14...	100	350	135	305	28	106.4	290	170	250	9	9	M24x35



GKS [mm]

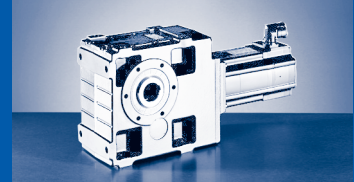
GKS□□-3A (MCA)



GKS□□-3A HAK ... RSO

		10I C40 ...S00	13I C41 ...S00	13I C34 ...F10	14L C20 ...S00	14L C41 ...S00	14L C16 ...F10	14L C35 ...F10	17N C23 ...S00	17N C41 ...S00
GKS04...	k	475	483	551						
GKS05...	k	495	503	571	553		615			
GKS06...	k	551	559	627	609		671		648	
GKS07...	k	607	615	683	665		727		704	
GKS09...	k				736		798		775	
GKS11...	k				827		889		866	
...RSO B0 ¹⁾	Δk				0					
...RSO P□ ¹⁾	Δk	25	35			33			35	
	k_1	258	267	335	307		369		346	
	k_2	145					180			
	g	102	131			142			165	
	g_1	90	102			109			118	

¹⁾ → 803 - SRS/SRM/ECN/EQN/EQI/S20/T20/CDD



GKS□□-3A HAK ... RSO

		17N C17 ...F10	17N C35 ...F10	19S C23 ...S00	19S C42 ...S00	19S C17 ...F10	19S C35 ...F10	21X C25 ...S00	21X C42 ...S00	21X C17 ...F10	21X C35 ...F10		
GKS06...	k	737											
GKS07...	k	793		773		870		851		947			
GKS09...	k	864		844		941		922		1018			
GKS11...	k	955		935		1032		1013		1109			
GKS14...	k			1034		1131		1112		1208			
...RSO B0 ¹⁾	Δ k	0											
...RSO P□ ¹⁾	Δ k	35			38			42					
	k ₁	435		408		505		479		575			
	k ₂	180				222				265			
	g	165				192				214			
	g ₁	118				161				172			

¹⁾ →  803 - SRS/SRM/ECN/EQN/EQI/S20/T20/CDD

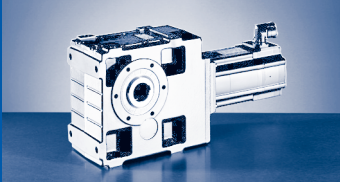
GKS□□-3A HAK

	o	o ₁	p	h	h ₁	a	q	k ₈
GKS04...	203	149	171	100	71	20	91	39
GKS05...	232	174	205	125	80	23	103.5	40
GKS06...	291	203 ²⁾ 202 ³⁾	250	150	100	28	122.5 ²⁾ 121.5 ³⁾	50 ²⁾ 49 ³⁾
GKS07...	354	256	310	190	120	34	155.5	66
GKS09...	429	301	386	236	150	41	180.5	70
GKS11...	527	351	485	300	185	54	205.5	71
GKS14...	636	411	605	375	230	67	235.5	72

²⁾ a₂ = 200

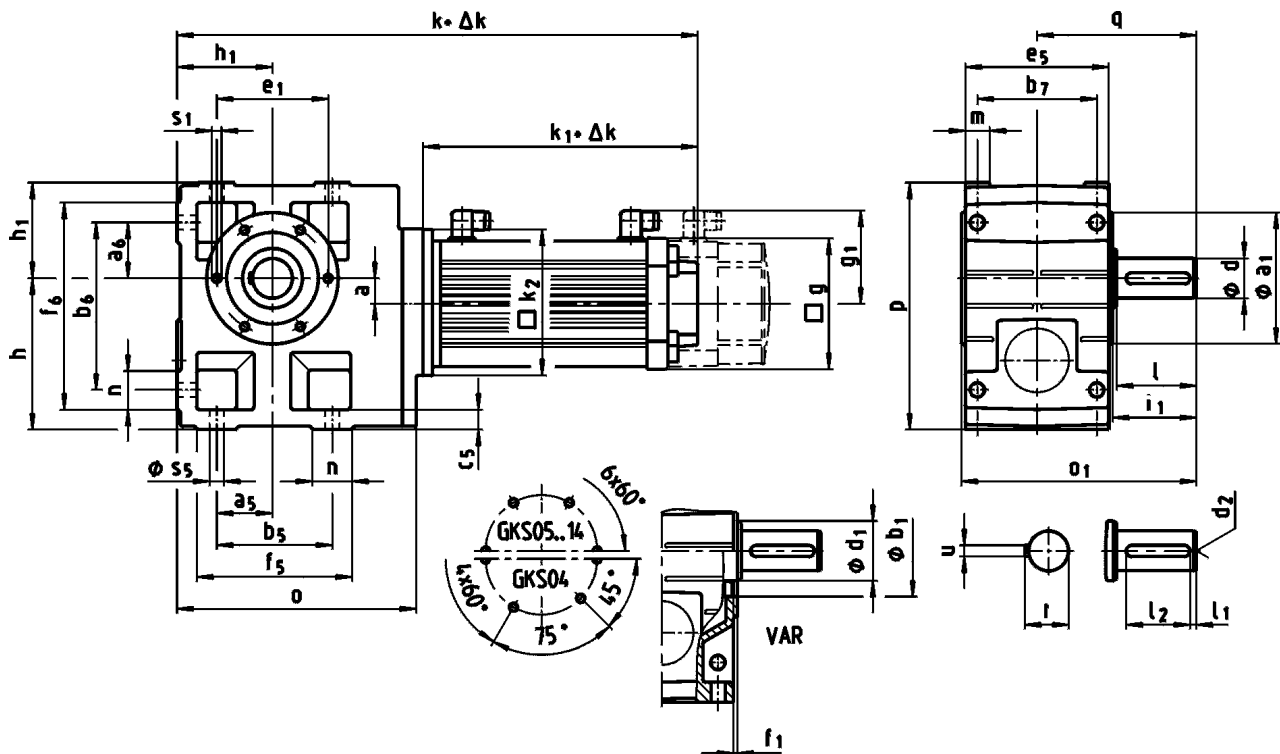
³⁾ a₂ = 250

	d	l	d ₁	l ₁	u	t	a ₂	b ₂	c ₂	e ₂	f ₂	i ₂	s ₂
	H7				JS9	+0,2		j7					
GKS04...	25	115	45	100	8	28.3	160	110	10	130	3.5	33.5	4 x 9
	30					33.3							
GKS05...	35	140	50	124	10	38.3	200	130	12	165	4	42.5	4 x 11
	40					43.3							
GKS06...	45	160	65	140	14	48.8	250	180	15	215	4	41.5	4 x 14
	50					53.8							
GKS07...	55	200	75	175	16	59.3	300	230	17	265	5	55.5	4 x 17.5
	60					64.4							
GKS09...	70	240	95	210	20	74.9	350	250	18	300	5	60.5	4 x 17.5
	80					85.4							
GKS11...	80	290	105	250	22	85.4	400	300	20	350	5	60.5	8 x 17.5
GKS14...	100					106.4							



GKS [mm]

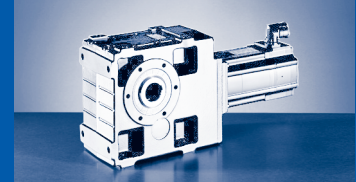
GKS□□-3A (MCA)



GKS□□-3A V□R ... RSO

		10I C40 ...S00	13I C41 ...S00	13I C34 ...F10	14L C20 ...S00	14L C41 ...S00	14L C16 ...F10	14L C35 ...F10	17N C23 ...S00	17N C41 ...S00
GKS04...	k	475	483	551						
GKS05...	k	495	503	571		553		615		
GKS06...	k	551	559	627		609		671		648
GKS07...	k	607	615	683		665		727		704
GKS09...	k					736		798		775
GKS11...	k					827		889		866
...RSO B0 ¹⁾	Δk					0				
...RSO P□ ¹⁾	Δk	25	35				33			35
	k_1	258	267	335		307		369		346
	k_2		145					180		
	g	102	131				142			165
	g_1	90	102				109			118

¹⁾ → 803 - SRS/SRM/ECN/EQN/EQI/S20/T20/CDD



GKS□□-3A V□R ... RSO

		17N C17 ...F10	17N C35 ...F10	19S C23 ...S00	19S C42 ...S00	19S C17 ...F10	19S C35 ...F10	21X C25 ...S00	21X C42 ...S00	21X C17 ...F10	21X C35 ...F10		
GKS06...	k	737											
GKS07...	k	793		773		870		851		947			
GKS09...	k	864		844		941		922		1018			
GKS11...	k	955		935		1032		1013		1109			
GKS14...	k			1034		1131		1112		1208			
...RSO B0 ¹⁾	Δ k	0											
...RSO P□ ¹⁾	Δ k	35			38				42				
	k ₁	435		408		505		479		575			
	k ₂	180		222				265					
	g	165		192				214					
	g ₁	118		161				172					

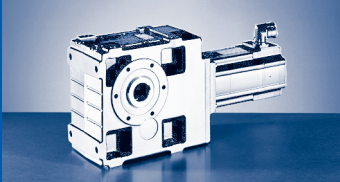
1) → 803 - SRS/SRM/ECN/EQN/EQI/S20/T20/CDD

GKS□□-3A V□R

	o	o ₁	p	h	h ₁	a	q	a ₅	a ₆	b ₅	b ₆	b ₇	c ₅	e ₅	f ₅	f ₆	m	n	s ₅
GKS04...	203	163	171	100	71	20	107.5	45	45	110	119	85	14	105	132	141	21	22	9
GKS05...	232	197	205	125	80	23	130	47.5	47.5	115	140	105	17	127	144	169		29	11
GKS06...	291	236	250	150	100	28	160	60	60	155	170	120	20	145	191	206	23	36	14
GKS07...	354	296	310	190	120	34	200	70	70	190	210	150	25	180	235	255	28	45	18
GKS09...	429	356	386	236	150	41	240	90	90	240	266	185	30	222	300	326	37	60	22
GKS11...	527	445	485	300	185	54	305	105	105	290	325	225	40	270	363	398	43	73	26
GKS14...	636	544	605	375	230	67	375	135	135	360	415	275	50	328	442	497	52	82	33

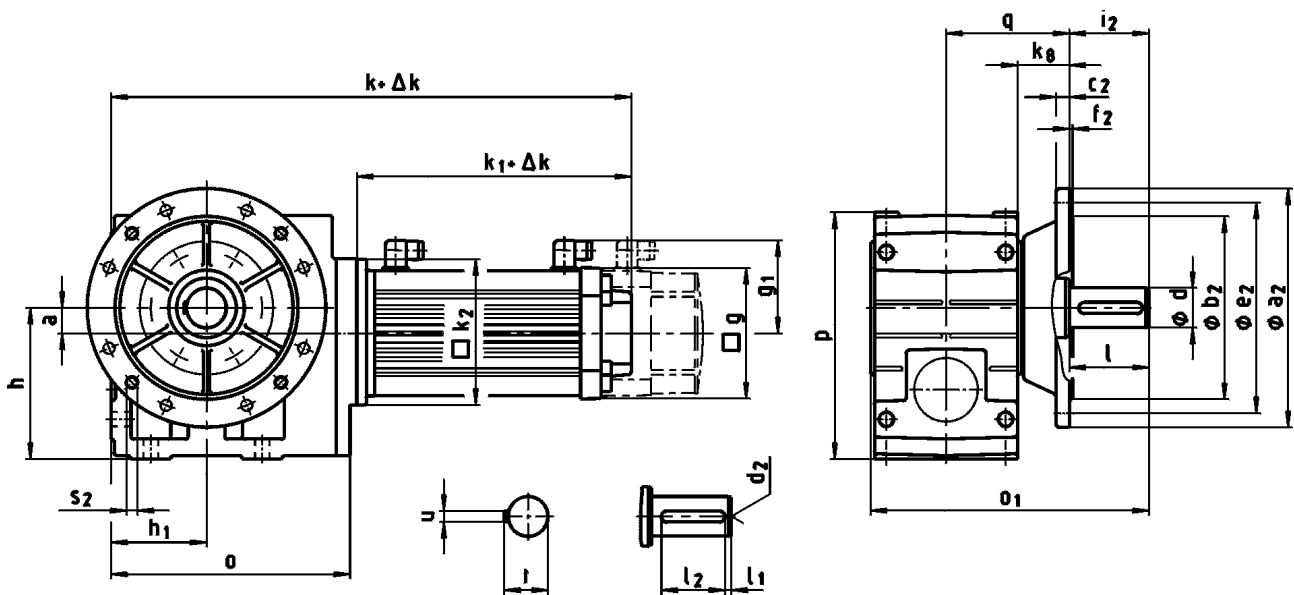
	d	l	d ₁	l ₁	l ₂	d ₂	u	t	a ₁	b ₁	e ₁	f ₁	i ₁	s ₁
GKS04...	25	50	45	4	40	M10	8	28	105	75	90	3	52.5	M6x12
GKS05...	30	60	50	6	45			33	118	80	100	4	64	M8x15
GKS06...	40	80	65	7	63	M16	14	43	140	100	120		5	85
GKS07...	50	100	75	8	80			53.5	165	115	140	140		175
GKS09...	60	120	95		100	M20	18	64	205	145	175	6	125	M16x24
GKS11...	80	160	105	125	22			85	240	140	205		166	M20x32
GKS14...	100	200	135	18	160	M24	28	106	290	170	250	207	M24x35	

d ≤ 50 mm: k6; d > 50 mm: m6



GKS [mm]

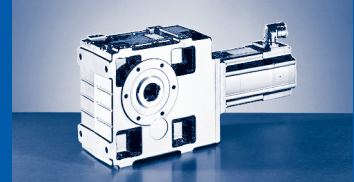
GKS□□-3A (MCA)



GKS□□-3A VAK ... RSO

		10I C40 ...S00	13I C41 ...S00	13I C34 ...F10	14L C20 ...S00	14L C41 ...S00	14L C16 ...F10	14L C35 ...F10	17N C23 ...S00	17N C41 ...S00
GKS04...	k	475	483	551						
GKS05...	k	495	503	571	553		615			
GKS06...	k	551	559	627	609		671		648	
GKS07...	k	607	615	683	665		727		704	
GKS09...	k				736		798		775	
GKS11...	k				827		889		866	
...RSO B0 ¹⁾	Δk	0								
...RSO P□ ¹⁾	Δk	25	35		33			35		
	k_1	258	267	335	307		369		346	
	k_2	145			180					
	g	102	131		142			165		
	g_1	90	102		109			118		

¹⁾ → 803 - SRS/SRM/ECN/EQN/EQI/S20/T20/CDD



GKS□□-3A VAK ... RSO

		17N C17 ...F10	17N C35 ...F10	19S C23 ...S00	19S C42 ...S00	19S C17 ...F10	19S C35 ...F10	21X C25 ...S00	21X C42 ...S00	21X C17 ...F10	21X C35 ...F10		
GKS06...	k	737											
GKS07...	k	793		773		870		851		947			
GKS09...	k	864		844		941		922		1018			
GKS11...	k	955		935		1032		1013		1109			
GKS14...	k			1034		1131		1112		1208			
...RSO B0 ¹⁾	Δ k	0											
...RSO P□ ¹⁾	Δ k	35			38			42					
	k ₁	435		408		505		479		575			
	k ₂	180				222				265			
	g	165				192				214			
	g ₁	118				161				172			

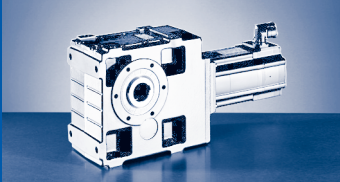
¹⁾ →  803 - SRS/SRM/ECN/EQN/EQI/S20/T20/CDD

GKS□□-3A VAK

	o	o ₁	p	h	h ₁	a	q	k ₈
GKS04...	203	196	171	100	71	20	91	39
GKS05...	232	230	205	125	80	23	103.5	40
GKS06...	291	277	250	150	100	28	121.5	49
GKS07...	354	351	310	190	120	34	155.5	66
GKS09...	429	416	386	236	150	41	180.5	70
GKS11...	527	505	485	300	185	54	205.5	71
GKS14...	636	604	605	375	230	67	235.5	72

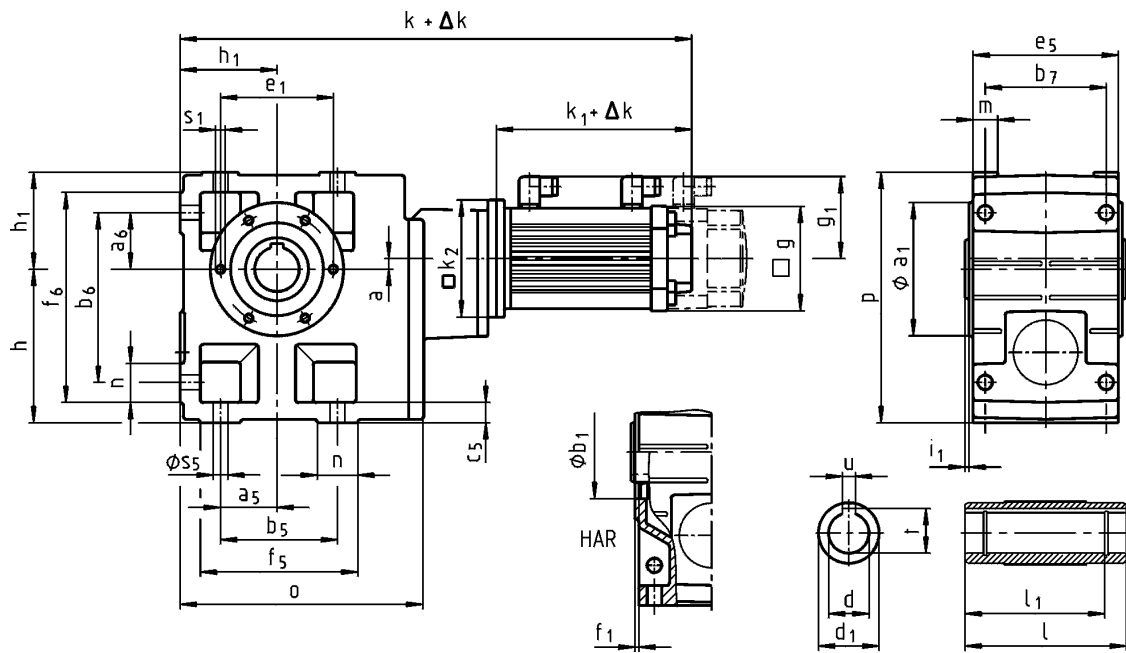
	d	l	l ₁	l ₂	d ₂	u	t	a ₂	b ₂	c ₂	e ₂	f ₂	i ₂	s ₂
									j7					
GKS04...	25	50	4	40	M10	8	28	160	110	10	130	3.5	50	4 x 9
GKS05...	30	60	6	45			33	200	130	12	165		60	4 x 11
GKS06...	40	80	7	63	M16	12	43	250	180	15	215	4	80	4 x 14
GKS07...	50	100	8	80			53.5	300	230	17	265		100	
GKS09...	60	120		100			18	64	350	250	18		300	
GKS11...	80	160	15	125	M20	22	85	400	300	20	350	5	160	4 x 17.5
GKS14...	100	200	18	160			M24	28	106	450	350		22	

d ≤ 50 mm: k6; d > 50 mm: m6



GKS [mm]

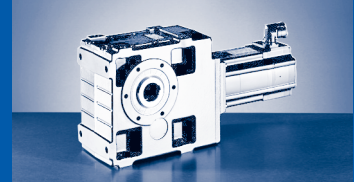
GKS□□-4A (MCA)



GKS□□-4A H□R ... RSO

		10I C40 ...S00	13I C41 ...S00	13I C34 ...F10	14L C20 ...S00	14L C41 ...S00	14L C16 ...F10	14L C35 ...F10	17N C23 ...S00	17N C41 ...S00
GKS05...	k	571	580	648						
GKS06...	k	644	653	721						
GKS07...	k	711	720	788	770		832			
GKS09...	k	800	809	877	859		921		898	
GKS11...	k	910	919	987	969		1031		1008	
GKS14...	k				1102		1164		1141	
...RSO B0 ¹⁾	Δk	0								
...RSO P□ ¹⁾	Δk	25	35			33			35	
	k_1	258	267	335	307		369		346	
	k_2	145					180			
	g	102	131			142			165	
	g_1	90	102			109			118	

¹⁾ → 803 - SRS/SRM/ECN/EQN/EQI/S20/T20/CDD



GKS□□-4A H□R ... RSO

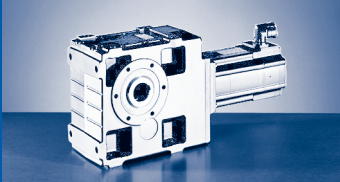
		17N C17 ...F10	17N C35 ...F10	19S C23 ...S00	19S C42 ...S00	19S C17 ...F10	19S C35 ...F10	21X C25 ...S00	21X C42 ...S00	21X C17 ...F10	21X C35 ...F10		
GKS09...	k	987											
GKS11...	k	1097		1076		1173		1155		1251			
GKS14...	k	1230		1209		1306		1288		1384			
...RSO B0 ¹⁾	Δ k	0											
...RSO P□ ¹⁾	Δ k	35			38			42					
	k ₁	435		408		505		479		575			
	k ₂	180				222				265			
	g	165				192				214			
	g ₁	118				161				172			

¹⁾ →  803 - SRS/SRM/ECN/EQN/EQI/S20/T20/CDD

GKS□□-4A H□R

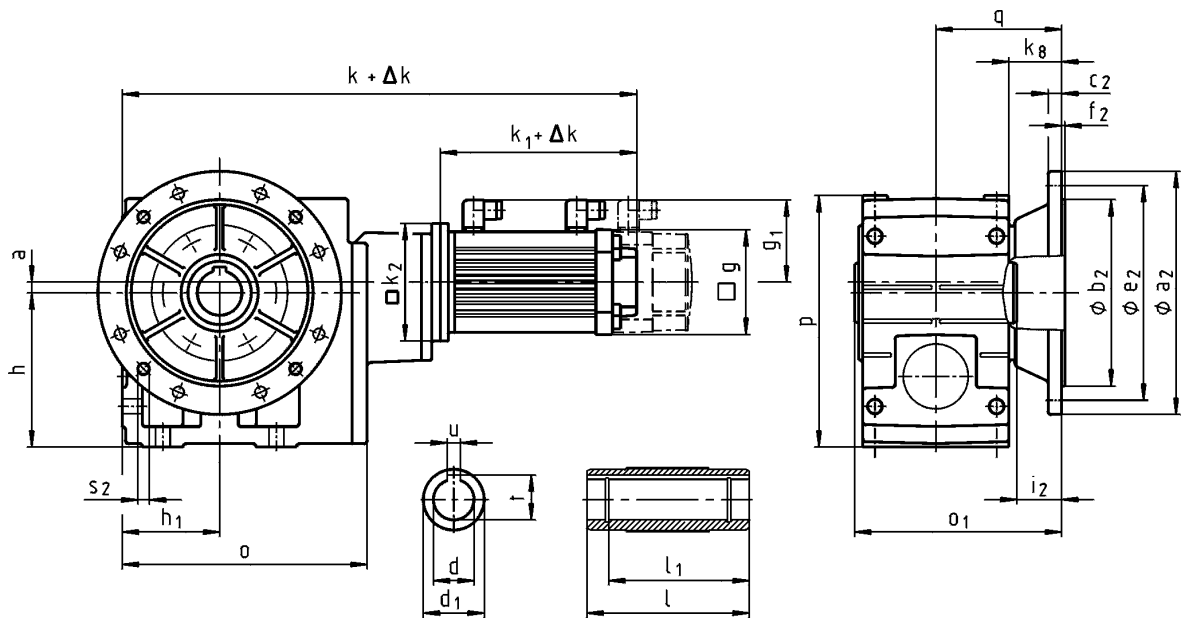
	o	p	h	h ₁	a	a ₅	a ₆	b ₅	b ₆	b ₇	c ₅	e ₅	f ₅	f ₆	m	n	s ₅
GKS05...	226	205	125	80	13	47.5	47.5	115	140	105	17	127	144	169	21	29	11
GKS06...	288	250	150	100	8	60	60	155	170	120	20	145	191	206	23	36	14
GKS07...	351	310	190	120	11	70	70	190	210	150	25	180	235	255	28	45	18
GKS09...	426	386	236	150	15	90	90	240	266	185	30	222	300	326	37	60	22
GKS11...	523	485	300	185	16	105	105	290	325	225	40	270	363	398	43	73	26
GKS14...	632	605	375	230	22	135	135	360	415	275	50	328	442	497	52	82	33

	d	l	d ₁	l ₁	u	t	a ₁	b ₁	e ₁	f ₁	i ₁	s ₁
	H7				JS9	+0,2		H7				6x60°
GKS05...	30	140	50	124	8	33.3	118	80	100	4	4	M8x15
	35				10	38.3						
GKS06...	40	160	65	140	12	43.3	140	100	120	5	5	M10x16
	45				14	48.8						
GKS07...	50	200	75	175	16	53.8	165	115	140	6	6	M12x18
	55				18	59.3						
GKS09...	60	240	95	210	20	64.4	205	145	175	7	7	M16x24
	70				22	74.9						
GKS11...	80	290	105	250	28	85.4	240	140	205	8	8	M20x32
	100				28	106.4						
GKS14...	100	350	135	305	28	106.4	290	170	250	9	9	M24x35



GKS [mm]

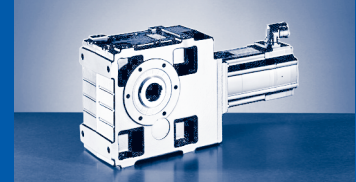
GKS□□-4A (MCA)



GKS□□-4A HAK ... RSO

		10I C40 ...S00	13I C41 ...S00	13I C34 ...F10	14L C20 ...S00	14L C41 ...S00	14L C16 ...F10	14L C35 ...F10	17N C23 ...S00	17N C41 ...S00
GKS05...	k	571	580	648						
GKS06...	k	644	653	721						
GKS07...	k	711	720	788	770		832			
GKS09...	k	800	809	877	859		921	898		
GKS11...	k	910	919	987	969		1031	1008		
GKS14...	k				1102		1164	1141		
...RSO B0 ¹⁾	Δk	0								
...RSO P□ ¹⁾	Δk	25	35		33			35		
	k_1	258	267	335	307		369	346		
	k_2	145				180				
	g	102	131		142		165			
	g_1	90	102		109		118			

¹⁾ → 803 - SRS/SRM/ECN/EQN/EQI/S20/T20/CDD



GKS□□-4A HAK ... RSO

		17N C17 ...F10	17N C35 ...F10	19S C23 ...S00	19S C42 ...S00	19S C17 ...F10	19S C35 ...F10	21X C25 ...S00	21X C42 ...S00	21X C17 ...F10	21X C35 ...F10
GKS09...	k	987									
GKS11...	k	1097		1076		1173		1155		1251	
GKS14...	k	1230		1209		1306		1288		1384	
...RSO B0 ¹⁾	Δ k	0									
...RSO P□ ¹⁾	Δ k	35		38				42			
	k ₁	435		408		505		479		575	
	k ₂	180		222				265			
	g	165		192				214			
	g ₁	118		161				172			

¹⁾ →  803 - SRS/SRM/ECN/EQN/EQI/S20/T20/CDD

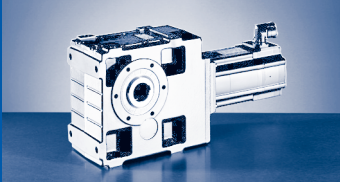
GKS□□-4A HAK

	o	o ₁	p	h	h ₁	a	q	k _g
GKS05...	226	174	205	125	80	13	103.5	40
GKS06...	288	203 ²⁾ 202 ³⁾	250	150	100	8	122.5 ²⁾ 121.5 ³⁾	50 ²⁾ 49 ³⁾
GKS07...	351	256	310	190	120	11	155.5	66
GKS09...	426	301	386	236	150	15	180.5	70
GKS11...	523	351	485	300	185	16	205.5	71
GKS14...	632	411	605	375	230	22	235.5	72

²⁾ a₂ = 200

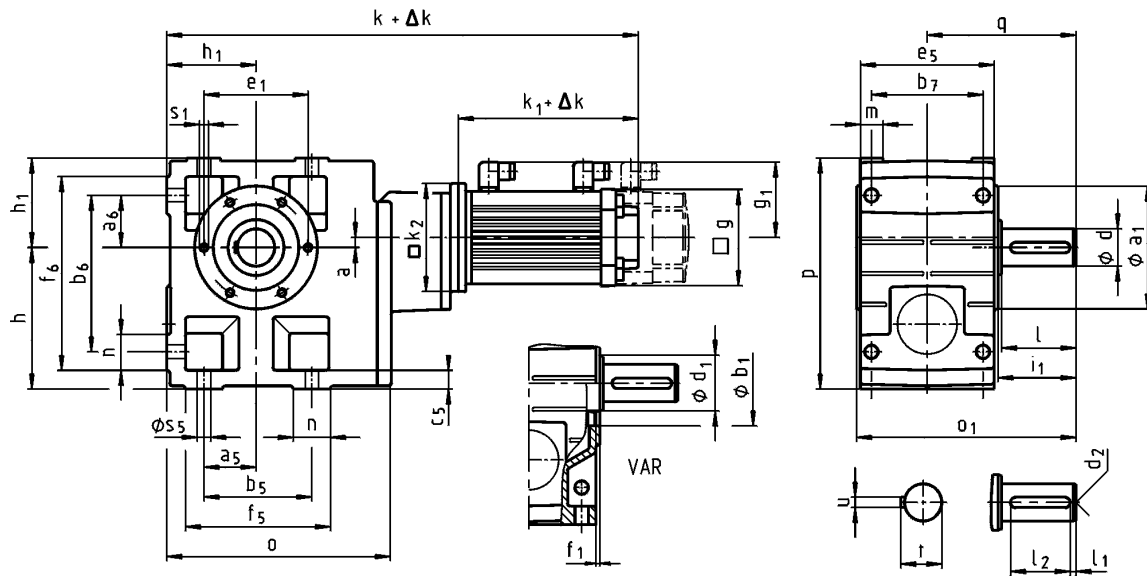
³⁾ a₂ = 250

	d	l	d ₁	l ₁	u	t	a ₂	b ₂	c ₂	e ₂	f ₂	i ₂	s ₂
	H7				JS9	+0,2		j7					
GKS05...	30	140	50	124	8	33.3	200	130	12	165	3.5	33.5	4 x 11
	35				10	38.3							
GKS06...	40	160	65	140	12	43.3	250	180	15	215	4	42.5	4 x 14
	45				14	48.8							
GKS07...	50	200	75	175	16	53.8	300	230	17	265	4	55.5	4 x 17.5
	55				18	64.4							
GKS09...	60	240	95	210	20	74.9	350	250	18	300	5	60.5	4 x 17.5
	70				22	85.4							
GKS11...	80	290	105	250	28	106.4	450	350	22	400	5	60.5	8 x 17.5
GKS14...	100				350	135							



GKS [mm]

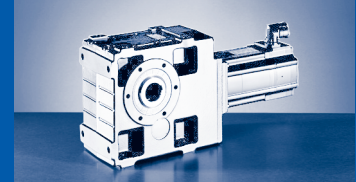
GKS□□-4A (MCA)



GKS□□-4A V□R ... RSO

		10I C40 ...S00	13I C41 ...S00	13I C34 ...F10	14L C20 ...S00	14L C41 ...S00	14L C16 ...F10	14L C35 ...F10	17N C23 ...S00	17N C41 ...S00
GKS05...	k	571	580	648						
GKS06...	k	644	653	721						
GKS07...	k	711	720	788	770		832			
GKS09...	k	800	809	877	859		921		898	
GKS11...	k	910	919	987	969		1031		1008	
GKS14...	k				1102		1164		1141	
...RSO B0 ¹⁾	Δk				0					
...RSO P□ ²⁾	Δk	25	35			33			35	
	k_1	258	267	335	307		369		346	
	k_2		145				180			
	g	102	131			142			165	
	g_1	90	102			109			118	

¹⁾ → 803 - SRS/SRM/ECN/EQN/EQI/S20/T20/CDD



GKS□□-4A V□R ... RSO

		17N C17 ...F10	17N C35 ...F10	19S C23 ...S00	19S C42 ...S00	19S C17 ...F10	19S C35 ...F10	21X C25 ...S00	21X C42 ...S00	21X C17 ...F10	21X C35 ...F10		
GKS09...	k	987											
GKS11...	k	1097		1076		1173		1155		1251			
GKS14...	k	1230		1209		1306		1288		1384			
...RSO B0 ¹⁾	Δ k	0											
...RSO P□ ¹⁾	Δ k	35			38			42					
	k ₁	435		408		505		479		575			
	k ₂	180				222				265			
	g	165				192				214			
	g ₁	118				161				172			

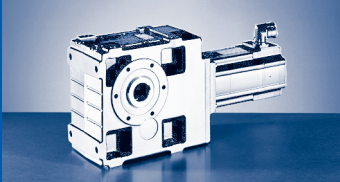
¹⁾ →  803 - SRS/SRM/ECN/EQN/EQI/S20/T20/CDD

GKS□□-4A V□R

	o	o ₁	p	h	h ₁	a	q	a ₅	a ₆	b ₅	b ₆	b ₇	c ₅	e ₅	f ₅	f ₆	m	n	s ₅
GKS05...	226	197	205	125	80	13	130	47.5	47.5	115	140	105	17	127	144	169	21	29	11
GKS06...	288	236	250	150	100	8	160	60	60	155	170	120	20	145	191	206	23	36	14
GKS07...	351	296	310	190	120	11	200	70	70	190	210	150	25	180	235	255	28	45	18
GKS09...	426	356	386	236	150	15	240	90	90	240	266	185	30	222	300	326	37	60	22
GKS11...	523	445	485	300	185	16	305	105	105	290	325	225	40	270	363	398	43	73	26
GKS14...	632	544	605	375	230	22	375	135	135	360	415	275	50	328	442	497	52	82	33

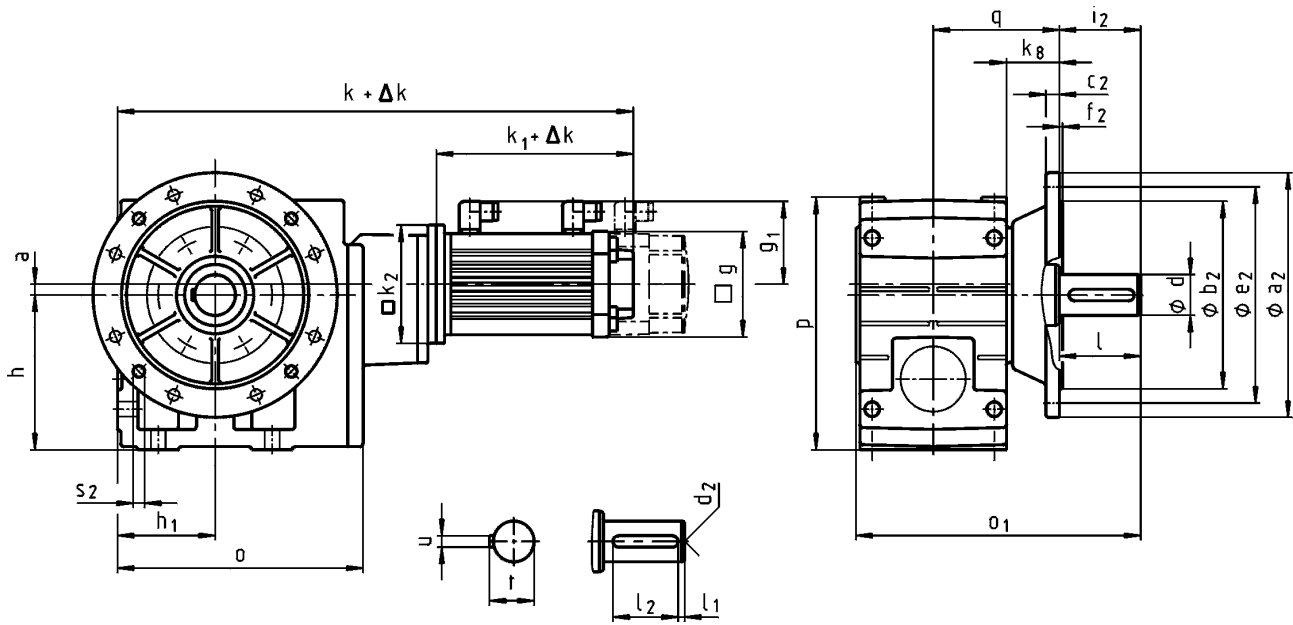
	d	l	d ₁	l ₁	l ₂	d ₂	u	t	a ₁	b ₁	e ₁	f ₁	i ₁	s ₁
										H7				6x60°
GKS05...	30	60	50	6	45	M10	8	33	118	80	100	4	64	M8x15
GKS06...	40	80	65	7	63	M16	12	43	140	100	120		85	M10x16
GKS07...	50	100	75	8	80		14	53.5	165	115	140	5	105	M12x18
GKS09...	60	120	95		100	M20	18	64	205	145	175		125	M16x24
GKS11...	80	160	105	15	125		22	85	240	140	205	6	166	M20x32
GKS14...	100	200	135	18	160	M24	28	106	290	170	250		207	M24x35

d ≤ 50 mm: k6; d > 50 mm: m6



GKS [mm]

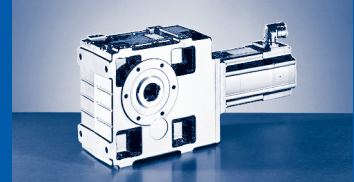
GKS□□-4A (MCA)



GKS□□-4A VAK ... RSO

		10I C40 ...S00	13I C41 ...S00	13I C34 ...F10	14L C20 ...S00	14L C41 ...S00	14L C16 ...F10	14L C35 ...F10	17N C23 ...S00	17N C41 ...S00
GKS05...	k	571	580	648						
GKS06...	k	644	653	721						
GKS07...	k	711	720	788	770		832			
GKS09...	k	800	809	877	859		921		898	
GKS11...	k	910	919	987	969		1031		1008	
GKS14...	k				1102		1164		1141	
...RSO B0 ¹⁾	Δk					0				
...RSO P□ ¹⁾	Δk	25	35			33			35	
	k_1	258	267	335	307		369		346	
	k_2		145				180			
	g	102	131			142			165	
	g_1	90	102			109			118	

¹⁾ → 803 - SRS/SRM/ECN/EQN/EQI/S20/T20/CDD



GKS□□-4A VAK ... RSO

		17N C17 ...F10	17N C35 ...F10	19S C23 ...S00	19S C42 ...S00	19S C17 ...F10	19S C35 ...F10	21X C25 ...S00	21X C42 ...S00	21X C17 ...F10	21X C35 ...F10
GKS09...	k	987									
GKS11...	k	1097		1076		1173		1155		1251	
GKS14...	k	1230		1209		1306		1288		1384	
...RSO B0 ¹⁾	Δ k	0									
...RSO P□ ¹⁾	Δ k	35		38				42			
	k ₁	435		408		505		479		575	
	k ₂	180				222				265	
	g	165				192				214	
	g ₁	118				161				172	

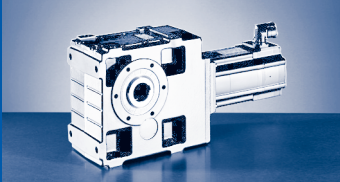
¹⁾ →  803 - SRS/SRM/ECN/EQN/EQI/S20/T20/CDD

GKS□□-4A VAK

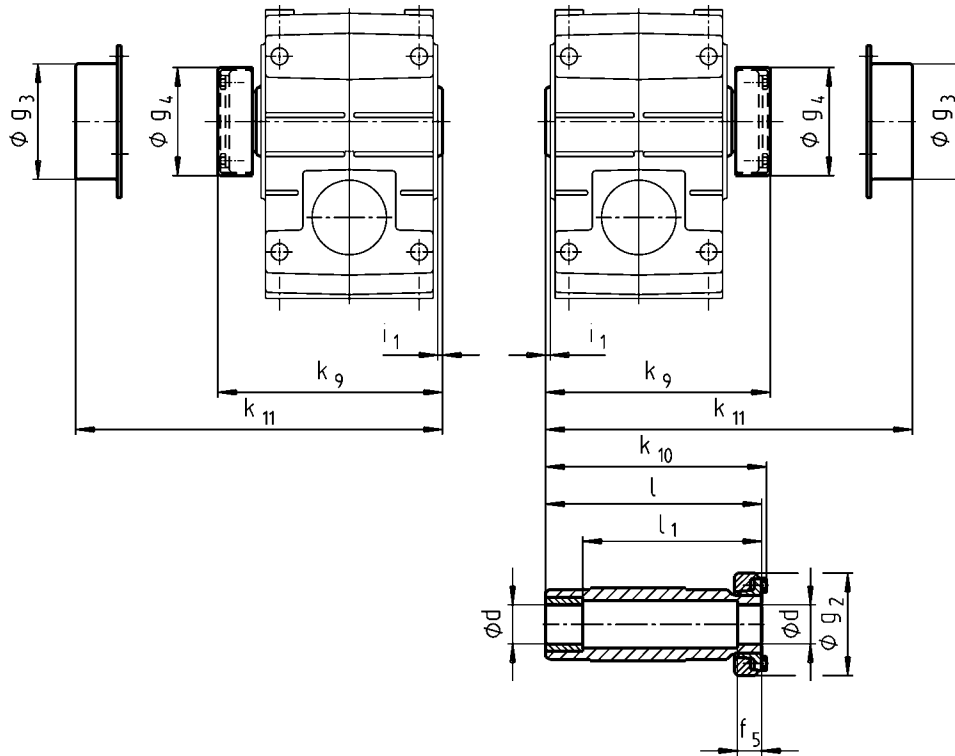
	o	o ₁	p	h	h ₁	a	q	k _g
GKS05...	226	230	205	125	80	13	103.5	40
GKS06...	288	277	250	150	100	8	121.5	49
GKS07...	351	351	310	190	120	11	155.5	66
GKS09...	426	416	386	236	150	15	180.5	70
GKS11...	523	505	485	300	185	16	205.5	71
GKS14...	632	604	605	375	230	22	235.5	72

	d	l	l ₁	l ₂	d ₂	u	t	a ₂	b ₂	c ₂	e ₂	f ₂	i ₂	s ₂
GKS05...	30	60	6	45	M10	8	33	200	130	12	165	3.5	60	4 x 11
GKS06...	40	80	7	63	M16	12	43	250	180	15	215	4	80	4 x 14
GKS07...	50	100	8	80		14	53.5						300	
GKS09...	60	120		100	M20	18	64	350	250	18	300		120	4 x 17.5
GKS11...	80	160	15	125		22	85	400	300	20	350	160		
GKS14...	100	200	18	160	M24	28	106	450	350	22	400	5	200	8 x 17.5

d ≤ 50 mm: k6; d > 50 mm: m6

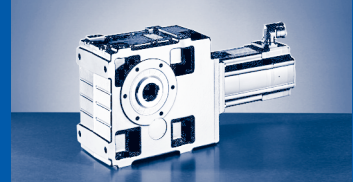


Hollow shaft with shrink disc

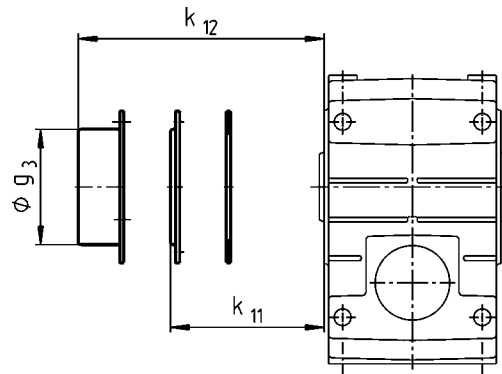


	Machine shaft	Hollow shaft with shrink disc						Protective cap		Cover	
	d	i ₁	k ₁₀	g ₂	l	l ₁	f ₅	k ₉	g ₄	k ₁₁	g ₃
	h6										
GKS04...	25 30	2.5	148	72	142	122	26	150	76	154	79
GKS05...	35	4	174	80	168	148	28	176	84	179	90
GKS06...	40	5	200	90	194	164	30	202	94	204	100
GKS07...	50		238	110	232	192	26	241	116	244	124
GKS09...	65		285	141	278	228	30	288	147	287	159
GKS11...	80	6	344	170	338	238	42	347	176	349	191
GKS14...	100	7	415	215	407	307	55	418	221	421	253

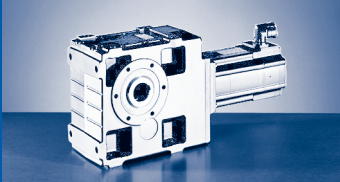
- ▶ Ensure that the strength of the shaft material is adequate in shrink disc designs.
When using typical steels (e.g. C45, 42CrMo4), the torques listed in the selection tables can be used without restriction. When using material that is considerably weaker, please consult us. Medium surface roughness Rz must not exceed 15 µm (turning operation is sufficient).



Hoseproof hollow shaft cover

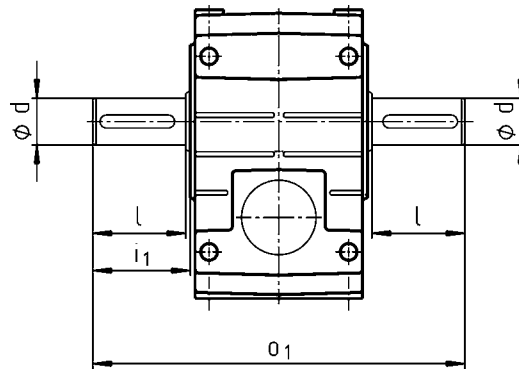


	Cover including seal		
	k_{11}	k_{12}	g_3
GKS04...	9		
GKS05...	10		
GKS06...	11		
GKS07...			
GKS09...		54	159
GKS11...		67	191
GKS14...		80	253

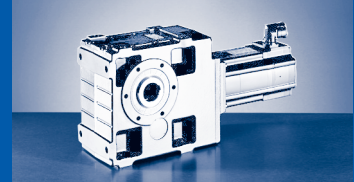


GKS & [mm]

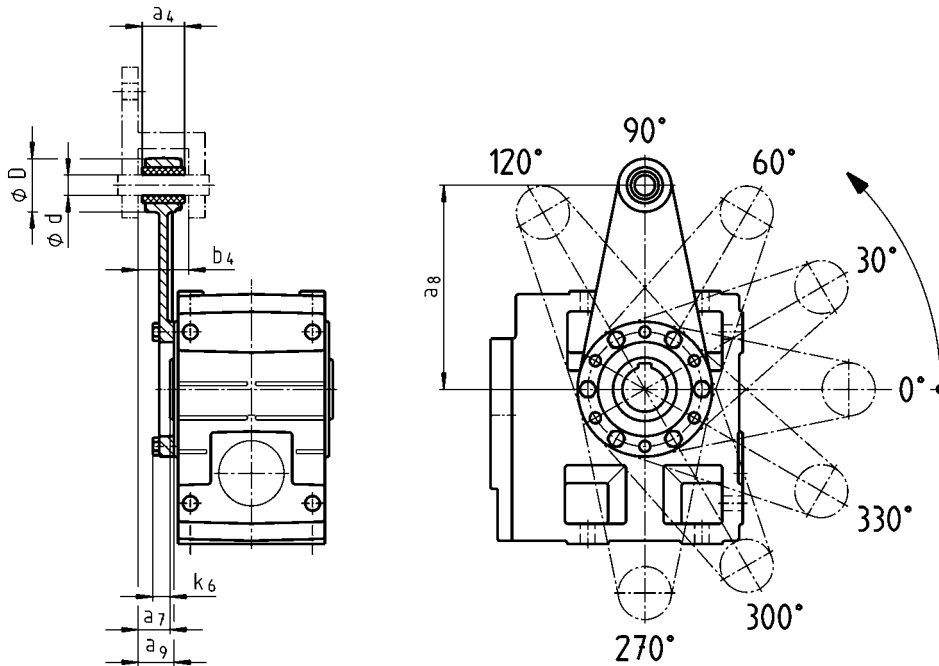
Gearbox with 2nd output shaft end



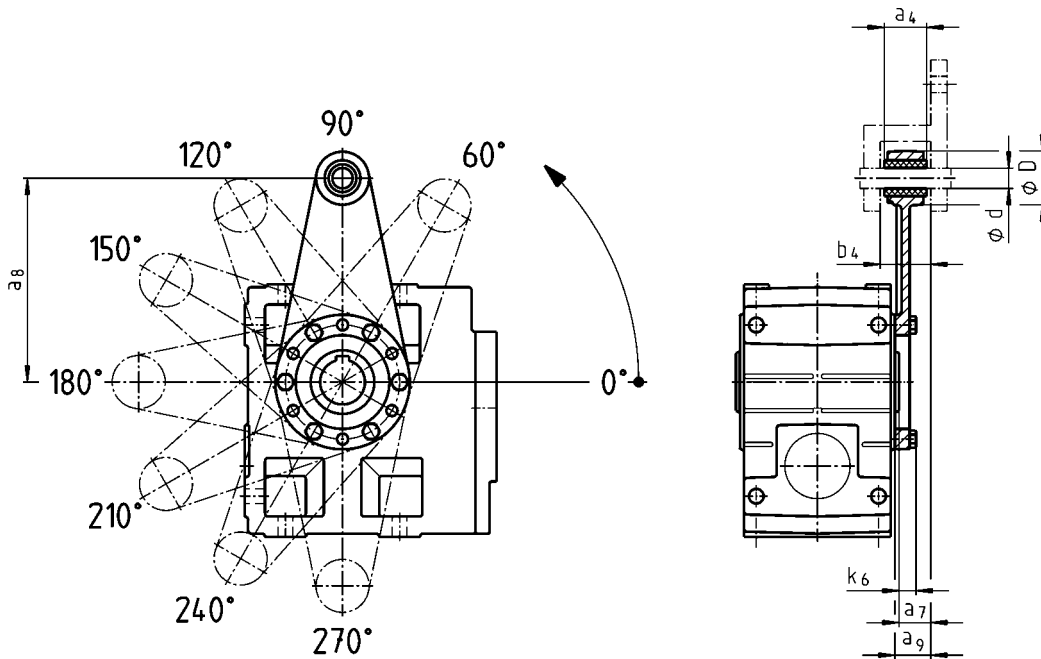
	d	l	i ₁	o ₁
GKS04...	25	50	52.5	215
GKS05...	30	60	64	260
GKS06...	40	80	85	320
GKS07...	50	100	105	400
GKS09...	60	120	125	480
GKS11...	80	160	166	610
GKS14...	100	200	207	750



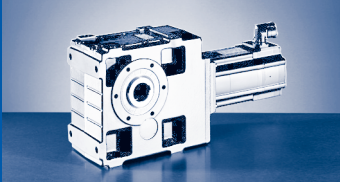
Torque plate at threaded pitch circle in position 3



Torque plate at threaded pitch circle in position 5

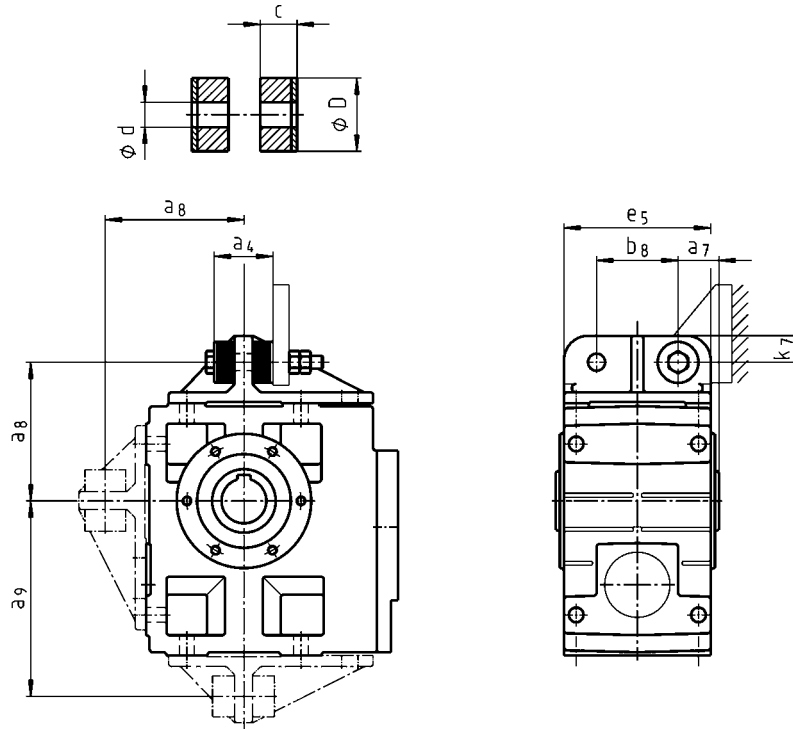


	Installation space							
	a ₇	b ₄	a ₄	a ₈	a ₉	d	D	k ₆
GKS04...	24	34.5	30	130	26.5	12	35	16
GKS05...	23.5	38.5	34	160	27.5	16	45	15
GKS06...	28	44.5	40	200	33	20	50	18
GKS07...	32.5	50.5	46	250	37.5	25	65	21

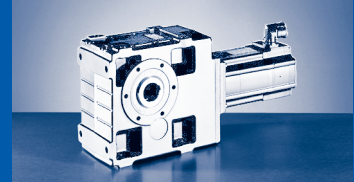


GKS & [mm]

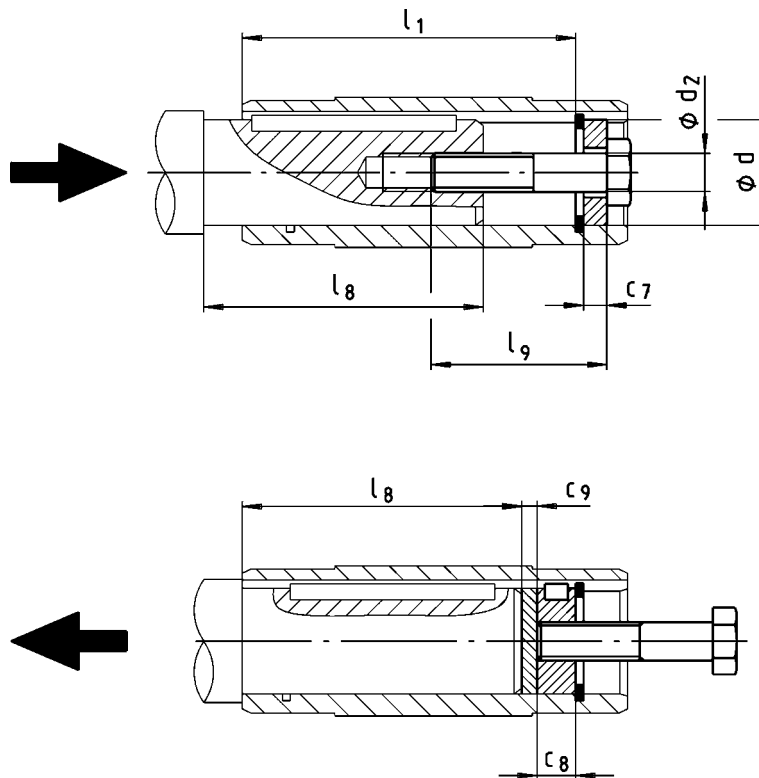
Torque plate at casing foot in position 2, 4 or 6



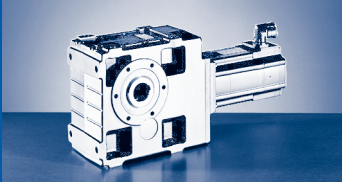
	a ₄	a ₇	a ₈	a ₉	b ₈	c	d	D	e ₅	k ₇
GKS04...	41	27.5	106	135	60	14.5	11	30	100	20
GKS05...	45	35	115	160	70	15	13	40	127	25
GKS06...	72	40	145	195	80	27	17	50	145	28
GKS07...	78	50	170	240	100	28	21	60	180	35
GKS09...	86	60	214	300	120	29	26	72	222	46
GKS11...	94	72.5	260	375	145	30	33	92	270	55
GKS14...	100	85	320	465	180		39	110	328	70



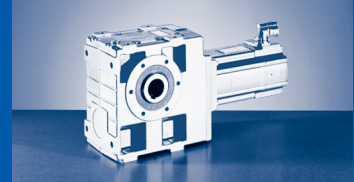
**Mounting set for hollow shaft circlip
Proposed design for auxiliary tools**



	Hollow shaft		Hollow shaft circlip mounting set (Assembly auxiliaries)			Auxiliary tools Disassembly		Machine shaft
	d	l ₁	d ₂	l ₉	c ₇	c ₈	c ₉	max l ₈
	H7							
GKS04...	25	100	M10	40	5	10	3	85
GKS05...	30				6			
	35	124	M12	50	7	12		107
GKS06...	40	140	M16	60	8	16	4	118
	45				9			
GKS07...	50	175	M20	80	10	20	5	148
	55				11			
GKS09...	60	210			13			182
	70	250	M24	100	14	24	6	221
GKS11...	80				16			
GKS14...	100	305			20		8	270



GKS & [mm]



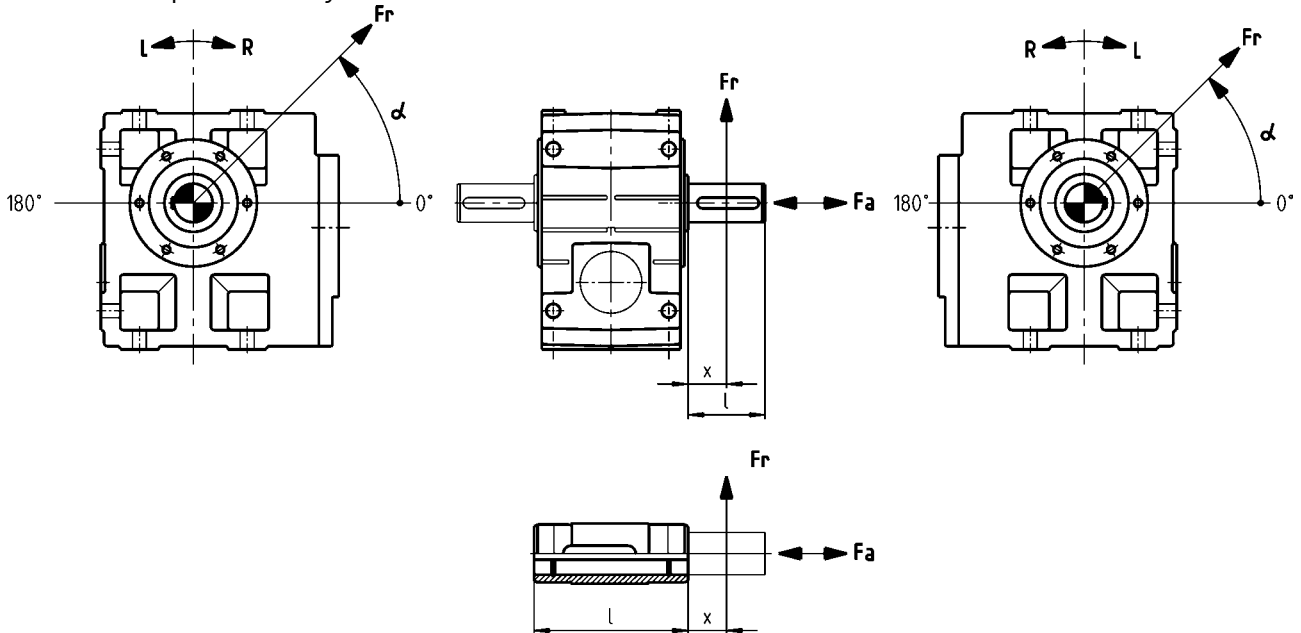
Permissible radial force

$$Fr_{zul} = \min(f_w \times f_{\alpha} \times Fr_{Tab}; f_w \times Fr_{max})$$

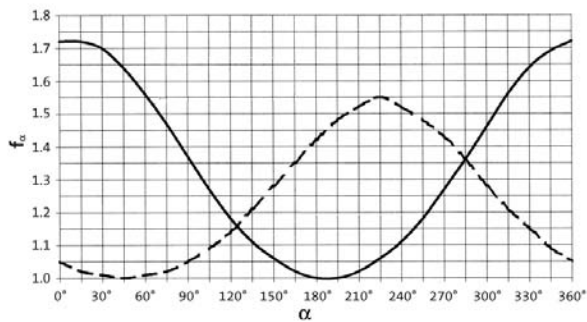
Permissible axial force

$$Fa_{zul} = Fa_{Tab} \text{ at } Fr = 0$$

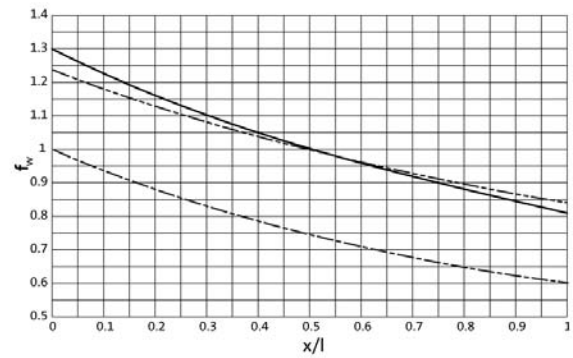
At Fr and $Fa \neq 0$ please contact your Lenze sales office.



Effective direction factor f_{α} at output shaft

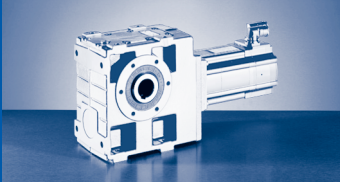


Additional load factor f_w at output shaft



— Direction of rotation R
 - - - Direction of rotation L

— Solid shaft (V□R)
 - - - Solid shaft with flange (V□K)
 - · - Hollow shaft (H□□)



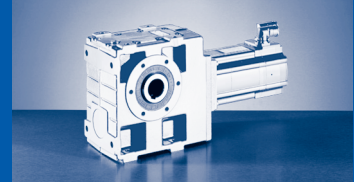
GSS [N]

Solid shaft without flange (V□R) Application of force Fr: centre of shaft journal (x = l/2) Fa _{Tab} only valid for Fr = 0								
	GSS04-2		GSS05-2/3		GSS06-2/3		GSS07-2/3	
n ₂ [r/min]	Fr _{Tab} [N]	Fa _{Tab} [N]	Fr _{Tab} [N]	Fa _{Tab} [N]	Fr _{Tab} [N]	Fa _{Tab} [N]	Fr _{Tab} [N]	Fa _{Tab} [N]
630	2200	2200	2300	1600	3400	1900	3700	1800
400	2400	2900	2500	2200	3500	2500	4000	2400
250	3000	3700	2900	2800	3600	3200	4200	3100
160	3500	4200	3400	3500	4200	4100	5100	4100
100	4100	4900	4000	4400	5000	5200	6300	5500
63	4200	5500	4300	5500	5900	6500	7700	7200
40	4200	5500	4300	6000	6900	8200	9300	9500
25	4200	5500	4300	6000	8200	9000	11300	12500
≤ 16	4200	5500	4300	6000	8500	9000	12000	12500
Fr _{max}	4200	-	4300	-	8500	-	12000	-

Solid shaft with flange (V□K) Application of force Fr: centre of shaft journal (x = l/2) Fa _{Tab} only valid for Fr = 0								
	GSS04-2		GSS05-2/3		GSS06-2/3		GSS07-2/3	
n ₂ [r/min]	Fr _{Tab} [N]	Fa _{Tab} [N]	Fr _{Tab} [N]	Fa _{Tab} [N]	Fr _{Tab} [N]	Fa _{Tab} [N]	Fr _{Tab} [N]	Fa _{Tab} [N]
630	2750	2100	3450	1500	5100	1600	5500	1400
400	3000	2800	3750	2000	5250	2200	6000	1900
250	4100	3500	4900	2500	7000	2800	7900	2400
160	4400	4000	4900	3100	8100	3500	9100	3200
100	4700	4200	4900	4000	9400	4500	10600	4300
63	4700	4200	4900	4900	9400	5700	12400	5900
40	4700	4200	4900	5500	9400	7300	14000	8000
25	4700	4200	4900	5500	9400	8800	14000	10000
≤ 16	4700	4200	4900	5500	9400	8800	14000	10000
Fr _{max}	4700	-	4900	-	9400	-	14000	-

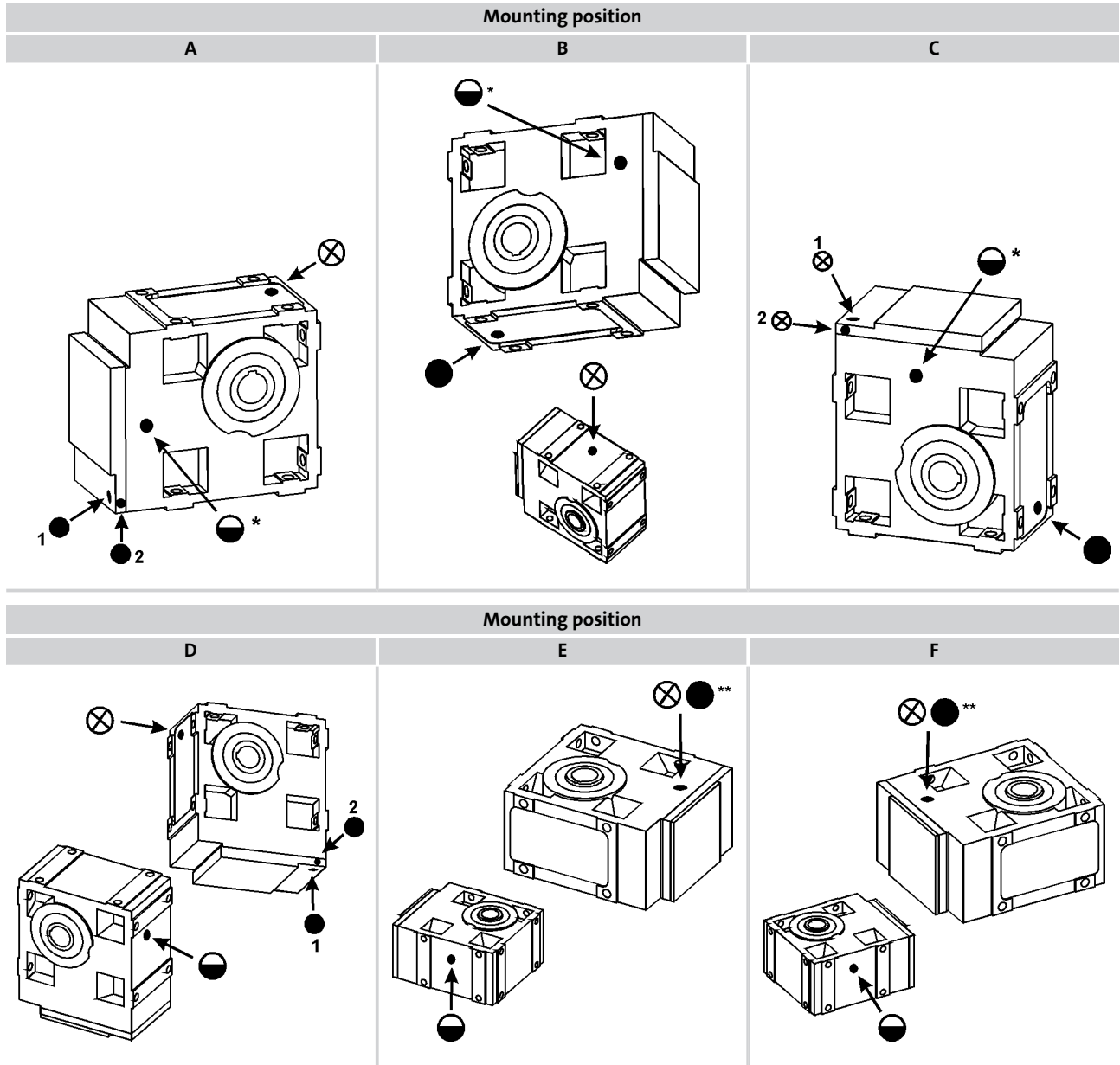
Hollow shaft (H□□) Application of force Fr: on hollow shaft end face (x = 0) Fa _{Tab} only valid for Fr = 0								
	GSS04-2		GSS05-2/3		GSS06-2/3		GSS07-2/3	
n ₂ [r/min]	Fr _{Tab} [N]	Fa _{Tab} [N]	Fr _{Tab} [N]	Fa _{Tab} [N]	Fr _{Tab} [N]	Fa _{Tab} [N]	Fr _{Tab} [N]	Fa _{Tab} [N]
630	2800	2200	3000	1600	4400	1900	4600	1800
400	3000	2900	3200	2200	4600	2500	5100	2400
250	3800	3700	3600	2800	4800	3200	5600	3100
160	4500	4200	4300	3500	5600	4100	6700	4100
100	5300	4900	5100	4400	6600	5200	8200	5500
63	6000	5500	6000	5500	7700	6500	10000	7200
40	6000	5500	7000	6000	9100	8200	12100	9500
25	6000	5500	7500	6000	10700	9000	14800	12500
≤ 16	6000	5500	7500	6000	11500	9000	16000	12500
Fr _{max}	6000	-	7500	-	11500	-	16000	-

- ▶ Neither radial nor axial forces are permissible for the hollow shaft with shrink disc (S□□).



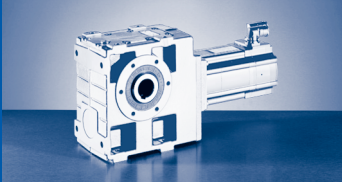
Position of ventilation, sealing elements and oil control

GSS05...07-2



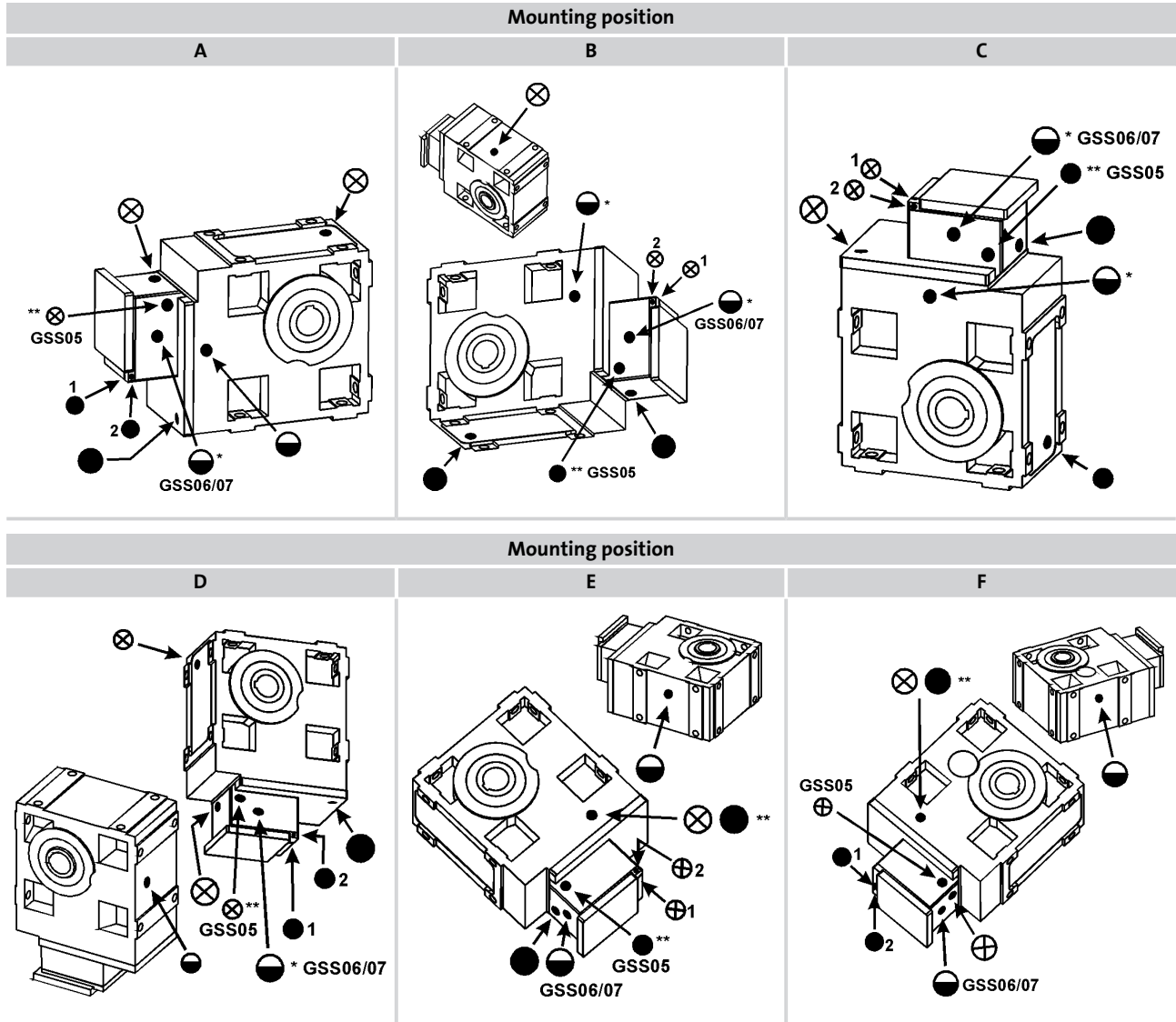
- ⊗ Ventilation/oil filler plug
- Oil drain plug
- Oil control plug
- * On both sides
- ** Opposite

Pos.1 standard
 Pos.2 only on GSS05-2A □□□ 14LC□□



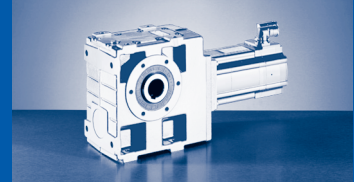
Position of ventilation, sealing elements and oil control

GSS05...07-3



- ⊗ Ventilation/oil filler plug
- Oil drain plug
- ⊖ Oil control plug
- * On both sides
- ** Opposite

Pos.1 standard
 Pos.2 only on GSS07-3A □□□ 14LC□□



GSS□□-2S HAR/HBR...RSO B0

	06C C41	06F C41	06I C41	09D C41	09F C38	09H C41	09L C41	12D C20	12D C41	12H C15	12H C30	12H C35	12L C20	12L C41
GSS04...	14	15		17	18	19	21							
GSS05...	22	23		25	26	27	29	28			32			35
GSS06...	35	36		38	39	40	42	41			44			47
GSS07...				63	64	65	67	66			69			72

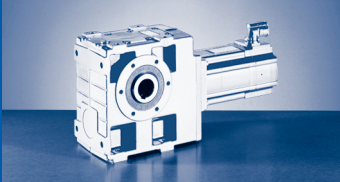
	14D C15	14D C36	14H C15	14H C32	14L C15	14L C32	14P C14	14P C32	19F C14	19F C30	19J C14	19J C30	19P C14	19P C30
GSS06...	46		51		55		60							
GSS07...	71		76		81		86		88		95			105

GSS□□-3S HAR/HBR...RSO B0

	06C C41	06F C41	06I C41	09D C41	09F C38	09H C41	09L C41	12D C20	12D C41	12H C15	12H C30	12H C35	12L C20	12L C41
GSS05...	25		26	28		29	31							
GSS06...	40		41	43		44	46							
GSS07...	67	68	69	70	71	72		74			77			80

Note additional weights.

Weights in [kg] with oil capacity for mounting position A, all given as approximate values



GSS [kg]

GSS□□-2A HAR/HBR...RSO B0

	10I C40 ...S00	13I C41 ...S00	13I C34 ...F10	14L C20 ...S00	14L C41 ...S00	14L C16 ...F10	14L C35 ...F10	17N C23 ...S00	17N C41 ...S00
GSS04...	18	23	24						
GSS05...	28	32	33	37		39			
GSS06...	40	44	45	50		52		58	
GSS07...	65	69	70	75		77		82	

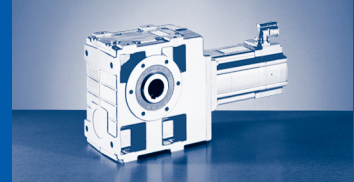
	17N C17 ...F10	17N C35 ...F10	19S C23 ...S00	19S C42 ...S00	19S C17 ...F10	19S C35 ...F10	21X C25 ...S00	21X C42 ...S00	21X C17 ...F10	21X C35 ...F10
GSS06...	60									
GSS07...	85		106		109		123		126	

GSS□□-3A HAR/HBR...RSO B0

	10I C40 ...S00	13I C41 ...S00	13I C34 ...F10	14L C20 ...S00	14L C41 ...S00	14L C16 ...F10	14L C35 ...F10
GSS05...	28	33	35				
GSS06...	44	48	50				
GSS07...	73	77	78		82		84

Note additional weights.

Weights in [kg] with oil capacity for mounting position A, all given as approximate values



Additional weights MCS servo motors

	06C C41	06F C41	06I C41	09D C41	09F C38	09H C41	09L C41	12D C20	12D C41	12H C15	12H C30	12H C35	12L C20	12L C41
...P1	0.3			0.8			0.9							
...P2				0.5			1.2							
...SCS/SCM/SRM/SRS ...ECN/EQN	0.4			0.2			0.3							

	14D C15	14D C36	14H C15	14H C32	14L C15	14L C32	14P C14	14P C32	19F C14	19F C30	19J C14	19J C30	19P C14	19P C30
...P1	1.9						1.5							
...P2	3.1									4.3				
...SCS/SCM/SRM/SRS ...ECN/EQN	0.3													

Additional weights MCA servo motors

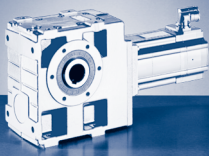
	10I C40 ...S00	13I C41 ...S00	13I C34 ...F10	14L C20 ...S00	14L C41 ...S00	14L C16 ...F10	14L C35 ...F10	17N C23 ...S00	17N C41 ...S00
...P1/P5								2.4	
...P2/P6	0.8	1.4		1.5					
...CDD ...ECN/EQN/EQI ...SCS/SCM/SRM/SRS/S20 ...T20	0.3	0.5		0.6				0.7	

	17N C17 ...F10	17N C35 ...F10	19S C23 ...S00	19S C42 ...S00	19S C17 ...F10	19S C35 ...F10	21X C25 ...S00	21X C42 ...S00	21X C17 ...F10	21X C35 ...F10
...P1/P5	2.4		4.8				5.0			
...P2/P6										
...CDD ...ECN/EQN/EQI ...SCS/SCM/SRM/SRS/S20 ...T20	0.7		1.0				1.1			

Additional weights gearbox

	Solid shaft	2nd output shaft end	Hollow shaft with shrink disc	Flange	Casing foot torque plate	Threaded hole circle torque plate
	V□□	V□□	S□□	□□K		
GSS04...	0.6	0.2	0.6	2.5	1.3	0.9
GSS05...	1	0.3	0.8	4	2.2	1.3
GSS06...	2.5	0.8	1	7	3.7	2.1
GSS07...	5	1.5	1.5	11	6.6	3.7

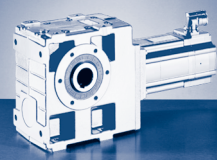
Weights in [kg]



GSS [i]

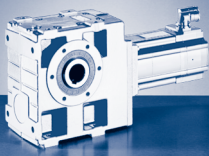
► $i_g = z_g / z_t$

	i	z_g	z_t
GSS04-2	5.639	1015	180
	7.733	1160	150
	9.042	1085	120
	9.897	1247	126
	10.827	1624	150
	12.400	1240	100
	13.810	1740	126
	15.869	1333	84
	17.360	1736	100
	20.417	1225	60
	22.143	1860	84
	24.800	1240	50
	27.125	1953	72
	31.738	1333	42
	34.100	2046	60
	39.200	1960	50
	43.917	2108	48
	50.000	2100	42
	54.250	1953	36
	61.250	2205	
	68.200	2046	30
	77.000	2310	
	87.833	2108	24
	99.167	2380	
111.318	2449	22	
125.682	2765		
139.500	2511	18	
157.500	2835		
183.786	2573	14	
207.500	2905		
GSS05-2	5.639	1015	180
	7.733	1160	150
	9.042	1085	120
	9.897	1247	126
	10.827	1624	150
	12.400	1240	100
	13.810	1740	126
	15.869	1333	84
	17.360	1736	100
	20.417	1225	60
	22.143	1860	84
	24.800	1240	50
	27.125	1953	72
	31.738	1333	42
	35.306	2542	72
	39.200	1960	50



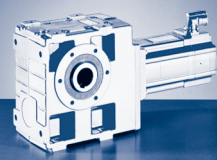
$$i_g = z_g / z_t$$

	i	z_g	z_t
GSS05-2	43.917	2108	48
	50.000	2100	42
	54.250	1953	
	61.250	2205	
	70.611	2542	36
	79.722	2870	
	87.833	2108	
	99.167	2380	
	113.667	2728	24
	128.333	3080	
	137.950	2759	
	155.750	3115	20
	176.313	2821	
	199.063	3185	16
GSS05-3	125.476	126480	1008
	153.708	132804	864
	193.233	139128	720
	222.133	133280	600
	250.952	126480	
	283.333	142800	504
	307.417	132804	
	347.083	149940	432
	386.467	139128	
	436.333	157080	360
	497.722	143344	
	561.944	161840	288
	630.803	166532	
	712.197	188020	264
	790.500	170748	
	892.500	192780	216
	1041.452	174964	
	1175.833	197540	168
GSS06-2	5.833	1050	180
	8.000	1200	150
	9.042	1085	120
	10.238	1290	126
	11.200	1680	150
	12.400	1240	100
	14.286	1800	126
	15.869	1333	84
	17.360	1736	100
	20.417	1225	60
	22.143	1860	84
	24.800	1240	50
	27.125	1953	72
	31.738	1333	42



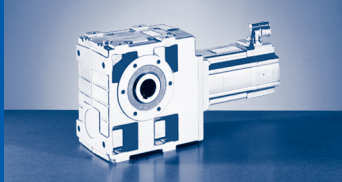
► $i_g = z_g / z_t$

	i	z_g	z_t	
GSS06-2	35.306	2542	72	
	39.200	1960	50	
	43.917	2108	48	
	50.000	2100	42	
	54.250	1953	36	
	61.250	2205		
	70.611	2542		
	79.722	2870	24	
	87.833	2108		
	99.167	2380		
	113.667	2728	20	
	128.333	3080		
	137.950	2759		
	155.750	3115	16	
	174.375	2790		
	196.875	3150		
	GSS06-3	126.531	111600	882
		142.857	126000	756
155.000		117180		
175.000		132300		
194.857		122760	630	
220.000		138600		
238.700		128898		
269.500		145530	540	
310.689		167772		
350.778		189420		
386.467		139128	360	
436.333		157080		
497.722		143344		
561.944		161840	288	
630.803		166532		
712.197		188020		
816.333		215512	264	
921.667		243320		
1023.000		220968		
1155.000		249480	216	
1241.550	223479			
1401.750	252315			
1635.693	228997	180		
1846.750	258545			
5.862	1020		174	
GSS07-2	8.125	1170	144	
	9.086	1054	116	
	10.000	1260	126	
	11.200	1680	150	
	12.594	1209	96	
	14.286	1800	126	



► $i_g = z_g / z_t$

	i	z_g	z_t
GSS07-2	15.500	1302	84
	17.360	1736	100
	20.517	1190	58
	22.143	1860	84
	25.188	1209	48
	27.125	1953	72
	31.000	1302	42
	35.306	2542	72
	39.200	1960	50
	43.271	2077	48
	50.000	2100	42
	54.250	1953	
	61.250	2205	
	70.611	2542	36
	79.722	2870	
	86.542	2077	
	97.708	2345	
	113.667	2728	24
	128.333	3080	
	137.950	2759	
155.750	3115	20	
174.375	2790		
196.875	3150	16	
GSS07-3	126.531	111600	
	142.857	126000	882
	155.000	117180	
	175.000	132300	
	201.746	152520	756
	227.778	172200	
	247.139	160146	
	279.028	180810	
	321.673	208444	648
	363.179	235340	
	394.245	170314	
	445.116	192290	432
	490.403	141236	
	553.681	159460	
	634.639	182776	
	716.528	206360	288
	833.556	240064	
	941.111	271040	
	1011.633	242792	240
	1142.167	274120	
1227.755	245551		
1386.175	277235	200	
1569.181	251069		
1771.656	283465	160	



GSS [Nm]

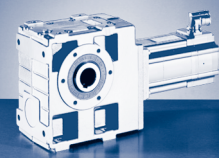
GSS□□-□S (MCS)

$M_{2GN} \leq 180 \text{ Nm}$

GSS04-2S				06CC41	06FC41	06IC41	09DC41	09FC38	09HC41	09LC41
				...500	...500	...500	...500	...500	...500	...500
i	M_{2GN}	J_G	M_1	0.60	1.20	1.50	2.30	3.10	3.80	4.50
			n_1	4050	4050	4050	4050	3750	4050	4050
			I_{M230}	2.6	2.9	3.2	4.6	5.0	6.8	8.4
			I_{M400}	1.3	1.5	1.6	2.3	2.5	3.4	4.2
			P_N	0.25	0.51	0.64	1.00	1.20	1.60	1.90
			J_M	0.17	0.25	0.33	1.13	1.53	1.93	2.83
5.639	86	1.12	M_2			7				
			c			5.8				
			$n_{2 \text{ Eck}}$			718				
			$n_{2 \text{ th}}$			718				
5.639	144	1.12	M_2				11	15	19	22
			c				3.8	2.8	2.3	2.0
			$n_{2 \text{ Eck}}$				718	665	718	718
			$n_{2 \text{ th}}$				718	665	718	718
7.733	158	0.65	M_2				15	21	26	31
			c				4.7	3.5	2.8	2.4
			$n_{2 \text{ Eck}}$				524	485	524	524
			$n_{2 \text{ th}}$				524	485	524	524
9.042	154	0.81	M_2				18	24	30	35
			c				5.3	3.9	3.2	2.7
			$n_{2 \text{ Eck}}$				448	415	448	448
			$n_{2 \text{ th}}$				448	415	448	448
9.897	161	0.43	M_2				20	27	33	39
			c				5.0	3.7	3.0	2.5
			$n_{2 \text{ Eck}}$				409	379	409	409
			$n_{2 \text{ th}}$				409	379	409	409
10.827	161	0.37	M_2				21	29	36	43
			c				5.0	3.7	3.0	2.6
			$n_{2 \text{ Eck}}$				374	346	374	374
			$n_{2 \text{ th}}$				374	346	374	374
12.400	170	0.49	M_2				24	33	41	49
			c				4.8	3.5	2.9	2.4
			$n_{2 \text{ Eck}}$				327	302	327	327
			$n_{2 \text{ th}}$				327	302	327	327
13.810	163	0.25	M_2				27	38	46	55
			c				5.0	3.7	3.0	2.6
			$n_{2 \text{ Eck}}$				293	272	293	293
			$n_{2 \text{ th}}$				293	272	293	293
15.869	180	0.33	M_2				31	43	53	63
			c				4.1	3.0	2.5	2.1
			$n_{2 \text{ Eck}}$				255	236	255	255
			$n_{2 \text{ th}}$				255	236	255	255
17.360	180	0.28	M_2			22	34	47	58	69
			c			5.9	3.8	2.9	2.3	2.0
			$n_{2 \text{ Eck}}$			233	233	216	233	233
			$n_{2 \text{ th}}$			233	233	216	233	233
20.417	153	0.67	M_2		19	24	37	50	62	73
			c		5.4	4.3	2.8	2.1	1.7	1.4
			$n_{2 \text{ Eck}}$		198	198	198	184	198	198
			$n_{2 \text{ th}}$		198	198	198	184	198	198
22.143	180	0.20	M_2			28	44	60	74	87
			c			5.0	3.3	2.4	2.0	1.7
			$n_{2 \text{ Eck}}$			183	183	169	183	183
			$n_{2 \text{ th}}$			183	183	169	183	183
24.800	171	0.42	M_2		23	30	46	63	77	91
			c		4.9	3.9	2.6	1.9	1.6	1.3
			$n_{2 \text{ Eck}}$		163	163	163	151	163	163
			$n_{2 \text{ th}}$		163	163	163	151	163	163

$M \dots$ [Nm]
 $n \dots$ [r/min]
 $J \dots$ [kgcm²]

$P \dots$ [kW]
 $I \dots$ [A]
 $i \dots$ [-]
 $c \dots$ [-]

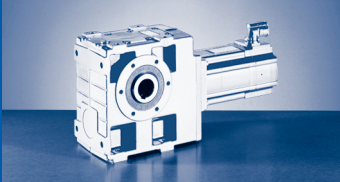


$M_{2GN} \leq 180 \text{ Nm}$

GSS04-2S				06CC41	06FC41	06IC41	09DC41	09FC38	09HC41	09LC41
				...500	...500	...500	...500	...500	...500	...500
i	M_{2GN}	J_G	M_1	0.60	1.20	1.50	2.30	3.10	3.80	4.50
			n_1	4050	4050	4050	4050	3750	4050	4050
			I_{M230}	2.6	2.9	3.2	4.6	5.0	6.8	8.4
			I_{M400}	1.3	1.5	1.6	2.3	2.5	3.4	4.2
			P_N	0.25	0.51	0.64	1.00	1.20	1.60	1.90
			J_M	0.17	0.25	0.33	1.13	1.53	1.93	2.83
27.125	180	0.14	M_2		27	35	54	73	90	107
			c		5.5	4.4	2.9	2.1	1.7	1.5
			n_2 Eck		149	149	149	138	149	149
			n_2 th		149	149	149	138	149	149
31.738	180	0.29	M_2		30	38	59	80	99	117
			c		4.2	3.3	2.2	1.6	1.3	1.1
			n_2 Eck		128	128	128	118	128	128
			n_2 th		128	128	128	118	128	128
34.100	180	0.10	M_2		34	44				
			c		4.7	3.8				
			n_2 Eck		119	119				
			n_2 th		119	119				
39.200	180	0.25	M_2		37	46	72	97	119	
			c		3.6	2.9	1.9	1.4	1.1	
			n_2 Eck		103	103	103	96	103	
			n_2 th		103	103	103	96	103	
43.917	180	0.06	M_2		45	56				
			c		3.9	3.1				
			n_2 Eck		92	92				
			n_2 th		92	92				
50.000	180	0.17	M_2		47	59	91	123		
			c		3.1	2.4	1.6	1.2		
			n_2 Eck		81	81	81	75		
			n_2 th		81	81	81	75		
54.250	180	0.13	M_2	25	52	65	101	136		
			c	5.9	3.0	2.4	1.6	1.2		
			n_2 Eck	75	75	75	75	69		
			n_2 th	75	75	75	75	69		
61.250	180	0.13	M_2	28	57	72	111	150		
			c	5.4	2.7	2.2	1.4	1.0		
			n_2 Eck	66	66	66	66	61		
			n_2 th	66	66	66	66	61		
68.200	180	0.09	M_2	31	65	81				
			c	5.1	2.6	2.1				
			n_2 Eck	59	59	59				
			n_2 th	59	59	59				
77.000	180	0.09	M_2	35	71	90				
			c	4.7	2.3	1.9				
			n_2 Eck	53	53	53				
			n_2 th	53	53	53				
87.833	180	0.06	M_2	40	83	104				
			c	4.3	2.1	1.7				
			n_2 Eck	46	46	46				
			n_2 th	46	46	46				
99.167	180	0.06	M_2	45	92	115				
			c	3.9	1.9	1.6				
			n_2 Eck	41	41	41				
			n_2 th	41	41	41				

$M \dots$ [Nm]
 $n \dots$ [r/min]
 $J \dots$ [kgcm²]

$P \dots$ [kW]
 $I \dots$ [A]
 i [-]
 c [-]



GSS [Nm]

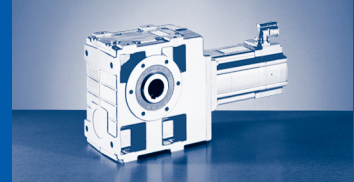
GSS□□-□S (MCS)

$M_{2GN} \leq 360 \text{ Nm}$

GSS05-2S				06CC41	06FC41	06IC41	09DC41	09FC38	09HC41	09LC41	
				...500	...500	...500	...500	...500	...500	...500	
i	M_{2GN}	J_G	M_1	0.60	1.20	1.50	2.30	3.10	3.80	4.50	
			n_1	4050	4050	4050	4050	3750	4050	4050	
			I_{M230}	2.6	2.9	3.2	4.6	5.0	6.8	8.4	
			I_{M400}	1.3	1.5	1.6	2.3	2.5	3.4	4.2	
			P_N	0.25	0.51	0.64	1.00	1.20	1.60	1.90	
			J_M	0.17	0.25	0.33	1.13	1.53	1.93	2.83	
5.639	175	2.82	M_2						18	22	
			c						5.7	4.8	
			$n_{2 \text{ Eck}}$							718	718
			$n_{2 \text{ th}}$							718	718
5.639	223	2.82	M_2								
			c								
			$n_{2 \text{ Eck}}$								
			$n_{2 \text{ th}}$								
7.733	212	1.66	M_2						25	30	
			c						5.2	4.4	
			$n_{2 \text{ Eck}}$							524	524
			$n_{2 \text{ th}}$							524	524
7.733	267	1.66	M_2								
			c								
			$n_{2 \text{ Eck}}$								
			$n_{2 \text{ th}}$								
9.042	251	2.01	M_2				17	23	29	34	
			c				5.8	4.3	3.5	3.0	
			$n_{2 \text{ Eck}}$				448	415	448	448	
			$n_{2 \text{ th}}$				448	415	448	448	
9.897	228	1.10	M_2					26	33	39	
			c					5.9	4.8	4.1	
			$n_{2 \text{ Eck}}$					379	409	409	
			$n_{2 \text{ th}}$					379	409	409	
9.897	271	1.10	M_2								
			c								
			$n_{2 \text{ Eck}}$								
			$n_{2 \text{ th}}$								
10.827	238	0.94	M_2					29	36	43	
			c					5.7	4.7	4.0	
			$n_{2 \text{ Eck}}$					346	374	374	
			$n_{2 \text{ th}}$					346	374	374	
10.827	272	0.94	M_2								
			c								
			$n_{2 \text{ Eck}}$								
			$n_{2 \text{ th}}$								
12.400	279	1.24	M_2					32	40	48	
			c					4.9	4.0	3.4	
			$n_{2 \text{ Eck}}$					302	327	327	
			$n_{2 \text{ th}}$					302	327	327	
13.810	256	0.64	M_2					37	46	55	
			c					5.3	4.4	3.7	
			$n_{2 \text{ Eck}}$					272	293	293	
			$n_{2 \text{ th}}$					272	293	293	
13.810	275	0.64	M_2								
			c								
			$n_{2 \text{ Eck}}$								
			$n_{2 \text{ th}}$								
15.869	301	0.84	M_2					42	51	61	
			c					4.9	4.0	3.4	
			$n_{2 \text{ Eck}}$					236	255	255	
			$n_{2 \text{ th}}$					236	255	255	

$M \dots$ [Nm]
 $n \dots$ [r/min]
 $J \dots$ [kgcm²]

$P \dots$ [kW]
 $I \dots$ [A]
 $i [-]$
 $c [-]$

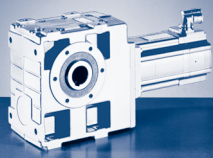


$M_{2GN} \leq 360 \text{ Nm}$

12DC20	12DC41	12HC15	12HC30	12HC35	12LC20	12LC41	GSS05-2S			
...500	...500	...500	...500	...500	...500	...500	M_1	J_G	M_{2GN}	i
5.50	4.30	10.00	8.00	7.50	13.50	11.00	n_1			
1950	4050	1500	3000	3525	1950	4050	I_{M230}			
5.2	8.8	7.6	10.5		11.8		I_{M400}			
2.6	4.5	3.8		5.7	5.9	10.2	P_N			
1.10	1.80	1.60	2.50	2.80	2.80	4.70	J_M			
4.12	4.12	7.42	7.42	7.42	10.72	10.72	M_2 c			
							$n_{2\text{ Eck}}$	2.82	175	5.639
							$n_{2\text{ th}}$			
	21	50	40	37	68	55	M_2 c			
	5.1	4.4	3.4	2.9	2.5	2.0	$n_{2\text{ Eck}}$	2.82	223	5.639
	718	266	532	625	346	718	$n_{2\text{ th}}$			
	718	266	532	625	346	718	M_2 c			
							$n_{2\text{ Eck}}$	1.66	212	7.733
							$n_{2\text{ th}}$			
37	29	69	55	51	94	76	M_2 c			
5.7	4.6	3.8	3.0	2.6	2.3	1.8	$n_{2\text{ Eck}}$	1.66	267	7.733
252	524	194	388	456	252	524	$n_{2\text{ th}}$			
252	524	194	388	456	252	524	M_2 c			
42	33	78	62	58	106	86	$n_{2\text{ Eck}}$	2.01	251	9.042
5.1	3.1	3.1	2.6	1.8	2.1	1.2	$n_{2\text{ th}}$			
216	448	166	332	390	216	448	M_2 c			
216	448	166	332	390	216	448	$n_{2\text{ Eck}}$	1.10	228	9.897
							$n_{2\text{ th}}$			
47	37	89	71	66	120	98	M_2 c			
5.2	4.2	3.0	2.8	2.4	2.1	1.7	$n_{2\text{ Eck}}$	1.10	271	9.897
197	409	152	303	356	197	409	$n_{2\text{ th}}$			
197	409	152	303	356	197	409	M_2 c			
							$n_{2\text{ Eck}}$	0.94	238	10.827
							$n_{2\text{ th}}$			
52	41	97	77	73	132	107	M_2 c			
4.9	4.1	2.8	2.8	2.4	2.0	1.6	$n_{2\text{ Eck}}$	0.94	272	10.827
180	374	139	277	326	180	374	$n_{2\text{ th}}$			
180	374	139	277	326	180	374	M_2 c			
58	45	108	86	81	147	119	$n_{2\text{ Eck}}$	1.24	279	12.400
4.1	3.5	2.5	2.5	2.0	1.7	1.4	$n_{2\text{ th}}$			
157	327	121	242	284	157	327	M_2 c			
157	327	121	242	284	157	327	$n_{2\text{ Eck}}$	0.64	256	13.810
							$n_{2\text{ th}}$			
67	52	125	99	93	170	138	M_2 c			
3.9	3.8	2.2	2.6	2.2	1.6	1.5	$n_{2\text{ Eck}}$	0.64	275	13.810
141	293	109	217	255	141	293	$n_{2\text{ th}}$			
141	293	109	217	255	141	293	M_2 c			
75	58	139	111	104	189	153	$n_{2\text{ Eck}}$	0.84	301	15.869
3.5	3.5	2.1	2.1	2.0	1.4	1.4	$n_{2\text{ th}}$			
123	255	95	189	222	123	255	M_2 c			
123	255	95	189	222	123	255	$n_{2\text{ Eck}}$			
							$n_{2\text{ th}}$			

$M \dots$ [Nm]
 $n \dots$ [r/min]
 $J \dots$ [kgcm²]

$P \dots$ [kW]
 $I \dots$ [A]
 i [-]
 c [-]



GSS [Nm]

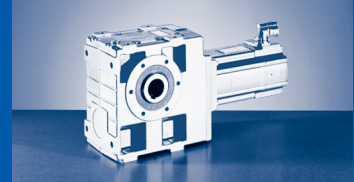
GSS□□-□S (MCS)

$M_{2GN} \leq 360 \text{ Nm}$

GSS05-2S				06CC41	06FC41	06IC41	09DC41	09FC38	09HC41	09LC41		
				...500	...500	...500	...500	...500	...500	...500		
i	M_{2GN}	J_G	M_1	0.60	1.20	1.50	2.30	3.10	3.80	4.50		
			n_1	4050	4050	4050	4050	3750	4050	4050		
			I_{M230}	2.6	2.9	3.2	4.6	5.0	6.8	8.4		
			I_{M400}	1.3	1.5	1.6	2.3	2.5	3.4	4.2		
			P_N	0.25	0.51	0.64	1.00	1.20	1.60	1.90		
			J_M	0.17	0.25	0.33	1.13	1.53	1.93	2.83		
17.360	311	0.72	M_2					46	56	67		
			c				4.6	3.8	3.2			
			$n_{2 \text{ Eck}}$				216	233	233			
			$n_{2 \text{ th}}$				216	233	233			
20.417	253	1.60	M_2				35	48	59	70		
			c				3.6	2.6	2.2	1.8		
			$n_{2 \text{ Eck}}$				198	184	198	198		
			$n_{2 \text{ th}}$				198	184	198	198		
22.143	337	0.50	M_2				43	59	73	87		
			c				5.3	3.9	3.2	2.7		
			$n_{2 \text{ Eck}}$				183	169	183	183		
			$n_{2 \text{ th}}$				183	169	183	183		
24.800	280	1.06	M_2				44	61	75	89		
			c				3.8	2.9	2.3	2.0		
			$n_{2 \text{ Eck}}$				163	151	163	163		
			$n_{2 \text{ th}}$				163	151	163	163		
27.125	360	0.38	M_2				53	73	90	107		
			c				4.6	3.4	2.8	2.4		
			$n_{2 \text{ Eck}}$				149	138	149	149		
			$n_{2 \text{ th}}$				149	138	149	149		
31.738	306	0.73	M_2			37	58	79	97	115		
			c				5.4	3.5	2.6	2.1	1.8	
			$n_{2 \text{ Eck}}$				128	128	118	128	128	
			$n_{2 \text{ th}}$				128	128	118	128	128	
35.306	296	0.23	M_2			44						
			c				5.9					
			$n_{2 \text{ Eck}}$				115					
			$n_{2 \text{ th}}$				115					
35.306	360	0.23	M_2				70	95	117	139		
			c				3.9	2.9	2.4	2.0		
			$n_{2 \text{ Eck}}$				115	106	115	115		
			$n_{2 \text{ th}}$				115	106	115	115		
39.200	323	0.61	M_2		35	45	70	96	118	140		
			c				5.9	4.7	3.1	2.3	1.9	1.6
			$n_{2 \text{ Eck}}$				103	103	96	103	103	
			$n_{2 \text{ th}}$				103	103	96	103	103	
43.917	306	0.17	M_2			56						
			c				5.1					
			$n_{2 \text{ Eck}}$				92					
			$n_{2 \text{ th}}$				92					
43.917	360	0.17	M_2				87	119	146	174		
			c				3.4	2.5	2.0	1.7		
			$n_{2 \text{ Eck}}$				92	85	92	92		
			$n_{2 \text{ th}}$				92	85	92	92		
50.000	353	0.44	M_2		46	58	91	123	152	181		
			c				5.0	4.0	2.6	1.9	1.6	1.3
			$n_{2 \text{ Eck}}$				81	81	81	81	81	
			$n_{2 \text{ th}}$				81	81	81	81	81	
54.250	360	0.34	M_2		51	65	101	137	169	200		
			c				4.8	3.8	2.5	1.9	1.5	1.3
			$n_{2 \text{ Eck}}$				75	75	75	69	75	75
			$n_{2 \text{ th}}$				75	75	75	69	75	75

$M \dots$ [Nm]
 $n \dots$ [r/min]
 $J \dots$ [kgcm²]

$P \dots$ [kW]
 $I \dots$ [A]
 $i \dots$ [-]
 $c \dots$ [-]

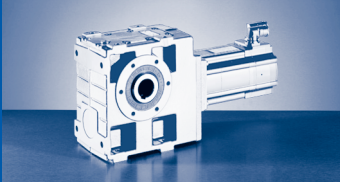


$M_{2GN} \leq 360 \text{ Nm}$

12DC20	12DC41	12HC15	12HC30	12HC35	12LC20	12LC41	GSS05-2S			
...500	...500	...500	...500	...500	...500	...500	M_1	J_G	M_{2GN}	i
5.50	4.30	10.00	8.00	7.50	13.50	11.00	n_1			
1950	4050	1500	3000	3525	1950	4050	I_{M230}			
5.2	8.8	7.6	10.5		11.8		I_{M400}			
2.6	4.5	3.8		5.7	5.9	10.2	P_N			
1.10	1.80	1.60	2.50	2.80	2.80	4.70	J_M			
4.12	4.12	7.42	7.42	7.42	10.72	10.72	M_2			
83	64	152	122	114	207	168	c	0.72	311	17.360
3.3	3.3	2.0	2.0	1.9	1.3		$n_{2 \text{ Eck}}$			
112	233	86	173	203	112	233	$n_{2 \text{ th}}$			
112	233	86	173	203	112	233	M_2			
88	67	163	128	118	220		c	1.60	253	20.417
2.5	1.9	1.5	1.4	1.1	1.0		$n_{2 \text{ Eck}}$			
96	198	74	147	173	96		$n_{2 \text{ th}}$			
96	198	73	147	173	96		M_2			
106	83	195	156	146	265	215	c	0.50	337	22.143
2.8	2.8	1.7	1.7	1.6	1.1	1.1	$n_{2 \text{ Eck}}$			
88	183	68	136	159	88	183	$n_{2 \text{ th}}$			
88	183	68	135	159	88	183	M_2			
110	85	203	161	150			c	1.06	280	24.800
2.2	2.1	1.4	1.3	1.2			$n_{2 \text{ Eck}}$			
79	163	61	121	142			$n_{2 \text{ th}}$			
79	163	60	121	142			M_2			
130	102	240	192	180			c	0.38	360	27.125
2.4	2.5	1.5	1.5	1.4			$n_{2 \text{ Eck}}$			
72	149	55	111	130			$n_{2 \text{ th}}$			
72	149	55	111	130			M_2			
142	110	261	208	194			c	0.73	306	31.738
1.9	1.9	1.2	1.1	1.1			$n_{2 \text{ Eck}}$			
61	128	47	95	111			$n_{2 \text{ th}}$			
61	128	47	95	111			M_2			
							c	0.23	296	35.306
							$n_{2 \text{ Eck}}$			
							$n_{2 \text{ th}}$			
							M_2			
							c	0.23	360	35.306
							$n_{2 \text{ Eck}}$			
							$n_{2 \text{ th}}$			
173	134	317					M_2			
1.6	1.6	1.0					c	0.61	323	39.200
50	103	38					$n_{2 \text{ Eck}}$			
50	103	38					$n_{2 \text{ th}}$			
							M_2			
							c	0.17	306	43.917
							$n_{2 \text{ Eck}}$			
							$n_{2 \text{ th}}$			
							M_2			
							c	0.17	360	43.917
							$n_{2 \text{ Eck}}$			
							$n_{2 \text{ th}}$			
221	172						M_2			
1.4	1.4						c	0.44	353	50.000
39	81						$n_{2 \text{ Eck}}$			
39	81						$n_{2 \text{ th}}$			
245	191						M_2			
1.3	1.3						c	0.34	360	54.250
36	75						$n_{2 \text{ Eck}}$			
36	75						$n_{2 \text{ th}}$			

M ... [Nm]
n ... [r/min]
J ... [kgcm²]

P ... [kW]
I ... [A]
i [-]
c [-]



GSS [Nm]

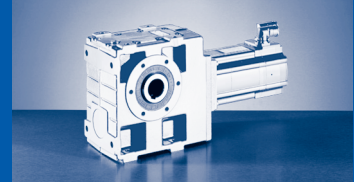
GSS□□-□S (MCS)

$M_{2GN} \leq 360 \text{ Nm}$

GSS05-2S				06CC41	06FC41	06IC41	09DC41	09FC38	09HC41	09LC41
				...500	...500	...500	...500	...500	...500	...500
i	M_{2GN}	J_G	M_1	0.60	1.20	1.50	2.30	3.10	3.80	4.50
			n_1	4050	4050	4050	4050	3750	4050	4050
			I_{M230}	2.6	2.9	3.2	4.6	5.0	6.8	8.4
			I_{M400}	1.3	1.5	1.6	2.3	2.5	3.4	4.2
			P_N	0.25	0.51	0.64	1.00	1.20	1.60	1.90
			J_M	0.17	0.25	0.33	1.13	1.53	1.93	2.83
61.250	360	0.33	M_2		57	72	112	152	187	222
			c		4.4	3.5	2.3	1.7	1.4	1.2
			$n_{2 \text{ Eck}}$		66	66	66	61	66	66
			$n_{2 \text{ th}}$		66	66	66	61	66	66
70.611	360	0.21	M_2		67	85	132	179	220	262
			c		4.1	3.2	2.1	1.6	1.3	1.1
			$n_{2 \text{ Eck}}$		57	57	57	53	57	57
			$n_{2 \text{ th}}$		57	57	57	53	57	57
79.722	360	0.21	M_2		75	94	147	199	245	
			c		3.7	3.0	1.9	1.4	1.2	
			$n_{2 \text{ Eck}}$		51	51	51	47	51	
			$n_{2 \text{ th}}$		51	51	51	47	51	
87.833	360	0.15	M_2		84	106	165	223	275	
			c		3.5	2.8	1.8	1.4	1.1	
			$n_{2 \text{ Eck}}$		46	46	46	43	46	
			$n_{2 \text{ th}}$		46	46	46	43	46	
99.167	360	0.15	M_2		94	118	183	248	305	
			c		3.2	2.6	1.7	1.3	1.0	
			$n_{2 \text{ Eck}}$		41	41	41	38	41	
			$n_{2 \text{ th}}$		41	41	41	38	41	
113.667	360	0.10	M_2	53	110	138				
			c	6.0	3.0	2.4				
			$n_{2 \text{ Eck}}$	36	36	36				
			$n_{2 \text{ th}}$	36	36	36				
128.333	360	0.09	M_2	59	122	154				
			c	5.5	2.8	2.2				
			$n_{2 \text{ Eck}}$	32	32	32				
			$n_{2 \text{ th}}$	32	32	32				
137.950	360	0.07	M_2	65	134	168				
			c	5.3	2.6	2.1				
			$n_{2 \text{ Eck}}$	29	29	29				
			$n_{2 \text{ th}}$	29	29	29				
155.750	360	0.07	M_2	72	149	187				
			c	4.8	2.4	1.9				
			$n_{2 \text{ Eck}}$	26	26	26				
			$n_{2 \text{ th}}$	26	26	26				

$M \dots$ [Nm]
 $n \dots$ [r/min]
 $J \dots$ [kgcm²]

$P \dots$ [kW]
 $I \dots$ [A]
 $i \dots$ [-]
 $c \dots$ [-]

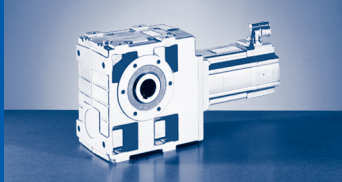


$M_{2GN} \leq 360 \text{ Nm}$

12DC20	12DC41	12HC15	12HC30	12HC35	12LC20	12LC41	GSS05-2S			
...500	...500	...500	...500	...500	...500	...500	M_1	J_G	M_{2GN}	i
5.50	4.30	10.00	8.00	7.50	13.50	11.00	n_1			
1950	4050	1500	3000	3525	1950	4050	I_{M230}			
5.2	8.8	7.6	10.5		11.8		I_{M400}			
2.6	4.5	3.8		5.7	5.9	10.2	P_N			
1.10	1.80	1.60	2.50	2.80	2.80	4.70	J_M			
4.12	4.12	7.42	7.42	7.42	10.72	10.72	M_2			
272	212						c	0.33	360	61.250
1.2	1.2						$n_{2 \text{ Eck}}$			
32	66						$n_{2 \text{ th}}$			
32	66						M_2			
							c	0.21	360	70.611
							$n_{2 \text{ Eck}}$			
							$n_{2 \text{ th}}$			
							M_2			
							c	0.21	360	79.722
							$n_{2 \text{ Eck}}$			
							$n_{2 \text{ th}}$			
							M_2			
							c	0.15	360	87.833
							$n_{2 \text{ Eck}}$			
							$n_{2 \text{ th}}$			
							M_2			
							c	0.15	360	99.167
							$n_{2 \text{ Eck}}$			
							$n_{2 \text{ th}}$			
							M_2			
							c	0.10	360	113.667
							$n_{2 \text{ Eck}}$			
							$n_{2 \text{ th}}$			
							M_2			
							c	0.09	360	128.333
							$n_{2 \text{ Eck}}$			
							$n_{2 \text{ th}}$			
							M_2			
							c	0.07	360	137.950
							$n_{2 \text{ Eck}}$			
							$n_{2 \text{ th}}$			
							M_2			
							c	0.07	360	155.750
							$n_{2 \text{ Eck}}$			
							$n_{2 \text{ th}}$			

M ... [Nm]
n ... [r/min]
J ... [kgcm²]

P ... [kW]
I ... [A]
i [-]
c [-]



GSS [Nm]

GSS□□-□S (MCS)

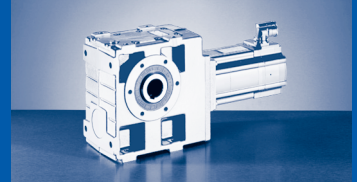
$M_{2GN} \leq 360 \text{ Nm}$

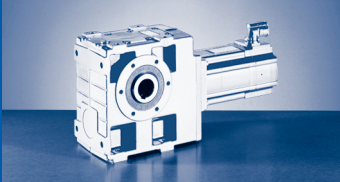
GSS05-3S				06CC41	06FC41	06IC41	09DC41
				...500	...500	...500	...500
i	M_{2GN}	J_G	M_1	0.60	1.20	1.50	2.30
			n_1	4050	4050	4050	4050
			I_{M230}	2.6	2.9	3.2	4.6
			I_{M400}	1.3	1.5	1.6	2.3
			P_N	0.25	0.51	0.64	1.00
			J_M	0.17	0.25	0.33	1.13
125.476	339	0.15	M_2	63	129	163	251
			c	4.0	2.0	1.6	1.0
			$n_{2 \text{ Eck}}$	32	32	32	32
			$n_{2 \text{ th}}$	32	32	32	32
153.708	356	0.12	M_2	77	158	198	
			c	3.5	1.7	1.4	
			$n_{2 \text{ Eck}}$	26	26	26	
			$n_{2 \text{ th}}$	26	26	26	
193.233	360	0.08	M_2	97	197	247	
			c	3.0	1.5	1.2	
			$n_{2 \text{ Eck}}$	21	21	21	
			$n_{2 \text{ th}}$	21	21	21	
222.133	360	0.21	M_2	103	210	263	
			c	3.4	1.7	1.4	
			$n_{2 \text{ Eck}}$	18	18	18	
			$n_{2 \text{ th}}$	18	18	18	
250.952	360	0.15	M_2	118	240	301	
			c	3.0	1.5	1.2	
			$n_{2 \text{ Eck}}$	16	16	16	
			$n_{2 \text{ th}}$	16	16	16	
283.333	360	0.15	M_2	130	265	332	
			c	2.7	1.3	1.1	
			$n_{2 \text{ Eck}}$	14	14	14	
			$n_{2 \text{ th}}$	14	14	14	
307.417	360	0.12	M_2	143	291		
			c	2.5	1.2		
			$n_{2 \text{ Eck}}$	13	13		
			$n_{2 \text{ th}}$	13	13		
347.083	360	0.11	M_2	158	321		
			c	2.2	1.1		
			$n_{2 \text{ Eck}}$	12	12		
			$n_{2 \text{ th}}$	12	12		
386.467	360	0.08	M_2	178			
			c	2.0			
			$n_{2 \text{ Eck}}$	11			
			$n_{2 \text{ th}}$	10			
436.333	360	0.08	M_2	197			
			c	1.8			
			$n_{2 \text{ Eck}}$	9			
			$n_{2 \text{ th}}$	9			
497.722	360	0.05	M_2	226			
			c	1.6			
			$n_{2 \text{ Eck}}$	8			
			$n_{2 \text{ th}}$	8			
561.944	360	0.05	M_2	249			
			c	1.4			
			$n_{2 \text{ Eck}}$	7			
			$n_{2 \text{ th}}$	7			

$M \dots$ [Nm]
 $n \dots$ [r/min]
 $J \dots$ [kgcm²]

$P \dots$ [kW]
 $I \dots$ [A]
 $i \dots$ [-]
 $c \dots$ [-]

GSS [Nm]
GSS□□-□S (MCS)





GSS [Nm]

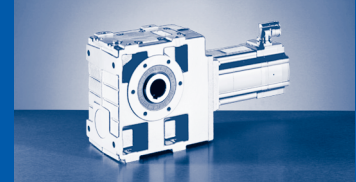
GSS□□-□S (MCS)

$M_{2GN} \leq 720 \text{ Nm}$

GSS06-2S				06FC41	06IC41	09DC41	09FC38	09HC41	09LC41	12DC20	12DC41	12HC15	12HC30
				...500	...500	...500	...500	...500	...500	...500	...500	...500	...500
i	M_{2GN}	J_G	M_1	1.20	1.50	2.30	3.10	3.80	4.50	5.50	4.30	10.00	8.00
			n_1	4050	4050	4050	3750	4050	4050	1950	4050	1500	3000
			I_{M230}	2.9	3.2	4.6	5.0	6.8	8.4	5.2	8.8	7.6	10.5
			I_{M400}	1.5	1.6	2.3	2.5	3.4	4.2	2.6	4.5	3.8	
			P_N	0.51	0.64	1.00	1.20	1.60	1.90	1.10	1.80	1.60	2.50
			J_M	0.25	0.33	1.13	1.53	1.93	2.83	4.12	4.12	7.42	7.42
5.833	308	6.97	M_2								22	51	41
			c								5.4	5.8	4.5
			$n_{2 \text{ Eck}}$								694	257	514
			$n_{2 \text{ th}}$								694	257	514
5.833	356	6.97	M_2										
			c										
			$n_{2 \text{ Eck}}$										
			$n_{2 \text{ th}}$										
8.000	353	4.22	M_2									71	56
			c									4.8	4.6
			$n_{2 \text{ Eck}}$									188	375
			$n_{2 \text{ th}}$									188	375
8.000	489	4.22	M_2										
			c										
			$n_{2 \text{ Eck}}$										
			$n_{2 \text{ th}}$										
9.042	417	5.54	M_2								33	77	63
			c								5.9	5.1	3.9
			$n_{2 \text{ Eck}}$								448	166	332
			$n_{2 \text{ th}}$								448	166	332
10.238	380	2.81	M_2									91	72
			c									4.0	4.4
			$n_{2 \text{ Eck}}$									147	293
			$n_{2 \text{ th}}$									147	293
10.238	522	2.81	M_2										
			c										
			$n_{2 \text{ Eck}}$										
			$n_{2 \text{ th}}$										
11.200	308	2.39	M_2						44				
			c						6.0				
			$n_{2 \text{ Eck}}$						362				
			$n_{2 \text{ th}}$						362				
11.200	398	2.39	M_2									100	79
			c									3.9	4.2
			$n_{2 \text{ Eck}}$									134	268
			$n_{2 \text{ th}}$									134	268
11.200	524	2.39	M_2										
			c										
			$n_{2 \text{ Eck}}$										
			$n_{2 \text{ th}}$										
12.400	523	3.46	M_2								46	107	87
			c								5.3	4.7	3.6
			$n_{2 \text{ Eck}}$								327	121	242
			$n_{2 \text{ th}}$								327	121	242
14.286	331	1.63	M_2						56				
			c						5.6				
			$n_{2 \text{ Eck}}$						284				
			$n_{2 \text{ th}}$						284				
14.286	428	1.63	M_2							69	53	129	102
			c							5.9	5.9	3.3	4.1
			$n_{2 \text{ Eck}}$							137	284	105	210
			$n_{2 \text{ th}}$							137	284	105	210

$M \dots$ [Nm]
 $n \dots$ [r/min]
 $J \dots$ [kgcm²]

$P \dots$ [kW]
 $I \dots$ [A]
 $i \dots$ [-]
 $c \dots$ [-]

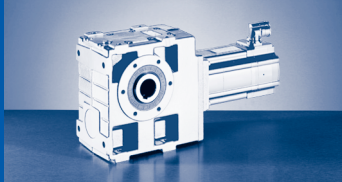


$M_{2GN} \leq 720 \text{ Nm}$

12HC35	12LC20	12LC41	14DC15	14DC36	14HC15	14HC32	14LC15	14LC32	14PC14	14PC32	GSS06-2S			
...S00	...S00	...S00	...S00	...S00	...S00	...S00	...S00	...S00	...S00	...S00	M_1	J_G	M_{2GN}	i
7.50	13.50	11.00	9.20	7.50	16.00	14.00	23.00	17.20	30.00	21.00	n_1			
3525	1950	4050	1500	3600	1500	3225	1500	3225	1350	3225	I_{M230}			
	11.8										I_{M400}			
5.7	5.9	10.2	4.5	7.5	6.6	11.9	9.7	15.0	10.8	15.6	P_N			
2.80	2.80	4.70	1.45	2.80	2.50	4.70	3.60	5.80	4.20	7.10	J_M			
7.42	10.72	10.72	8.22	8.22	14.32	14.32	23.44	23.44	34.74	34.82	M_2			
38	70	57									c	6.97	308	5.833
3.7	3.9	2.1									$n_{2 \text{ Eck}}$			
604	334	694									$n_{2 \text{ th}}$			
604	334	694												
				39	83	73	121	90	158	110	M_2			
				3.1	4.2	2.0	2.9	1.6	2.2	1.3	c	6.97	356	5.833
				617	257	553	257	553	231	553	$n_{2 \text{ Eck}}$			
				615	257	553	257	553	231	553	$n_{2 \text{ th}}$			
53	96	79									M_2			
4.1	3.6	2.4									c	4.22	353	8.000
441	244	506									$n_{2 \text{ Eck}}$			
441	244	506									$n_{2 \text{ th}}$			
				53	114	101	166	124	218	152	M_2			
				3.5	4.2	2.2	2.9	1.8	2.2	1.5	c	4.22	489	8.000
				450	188	403	188	403	169	403	$n_{2 \text{ Eck}}$			
				449	188	403	188	403	169	403	$n_{2 \text{ th}}$			
59	107	88	71	59	127	112	184	139	242	170	M_2			
3.7	3.0	2.3	5.6	3.4	3.2	2.0	2.2	1.6	1.7	1.3	c	5.54	417	9.042
390	216	448	166	398	166	357	166	357	149	357	$n_{2 \text{ Eck}}$			
390	216	448	166	397	166	357	166	357	149	357	$n_{2 \text{ th}}$			
68	124	101									M_2			
4.0	3.0	2.5									c	2.81	380	10.238
344	191	396									$n_{2 \text{ Eck}}$			
344	190	396									$n_{2 \text{ th}}$			
				68	147	129	214	160	280	195	M_2			
				3.6	3.5	2.2	2.4	1.8	1.9	1.4	c	2.81	522	10.238
				352	147	315	147	315	132	315	$n_{2 \text{ Eck}}$			
				351	147	315	147	315	132	315	$n_{2 \text{ th}}$			
											M_2			
											c	2.39	308	11.200
											$n_{2 \text{ Eck}}$			
											$n_{2 \text{ th}}$			
74	136	111									M_2			
4.0	2.9	2.4									c	2.39	398	11.200
315	174	362									$n_{2 \text{ Eck}}$			
315	174	362									$n_{2 \text{ th}}$			
			90	75	161	142	234	175	307	214	M_2			
			5.5	3.6	3.2	2.1	2.2	1.7	1.7	1.4	c	2.39	524	11.200
			134	321	134	288	134	288	121	288	$n_{2 \text{ Eck}}$			
			134	321	134	288	134	288	121	288	$n_{2 \text{ th}}$			
81	147	121	98	82	174	155	252	191	331	234	M_2			
3.3	2.7	2.1	5.1	3.1	2.9	1.8	2.1	1.5	1.6	1.2	c	3.46	523	12.400
284	157	327	121	290	121	260	121	260	109	260	$n_{2 \text{ Eck}}$			
284	157	327	121	290	121	260	121	260	109	260	$n_{2 \text{ th}}$			
											M_2			
											c	1.63	331	14.286
											$n_{2 \text{ Eck}}$			
											$n_{2 \text{ th}}$			
95	175	142									M_2			
3.7	2.4	2.3									c	1.63	428	14.286
247	137	284									$n_{2 \text{ Eck}}$			
247	137	284									$n_{2 \text{ th}}$			

$M \dots$ [Nm]
 $n \dots$ [r/min]
 $J \dots$ [kgcm²]

$P \dots$ [kW]
 $I \dots$ [A]
 $i \dots$ [-]
 $c \dots$ [-]



GSS [Nm]

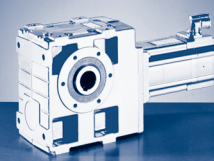
GSS□□-□S (MCS)

$M_{2GN} \leq 720 \text{ Nm}$

GSS06-2S				06FC41	06IC41	09DC41	09FC38	09HC41	09LC41	12DC20	12DC41	12HC15	12HC30
				...500	...500	...500	...500	...500	...500	...500	...500	...500	...500
i	M_{2GN}	J_G	M_1	1.20	1.50	2.30	3.10	3.80	4.50	5.50	4.30	10.00	8.00
			n_1	4050	4050	4050	3750	4050	4050	1950	4050	1500	3000
			I_{M230}	2.9	3.2	4.6	5.0	6.8	8.4	5.2	8.8	7.6	10.5
			I_{M400}	1.5	1.6	2.3	2.5	3.4	4.2	2.6	4.5	3.8	
			P_N	0.51	0.64	1.00	1.20	1.60	1.90	1.10	1.80	1.60	2.50
			J_M	0.25	0.33	1.13	1.53	1.93	2.83	4.12	4.12	7.42	7.42
14.286	528	1.63	M_2 c $n_{2 \text{ Eck}}$ $n_{2 \text{ th}}$										
15.869	443	2.35	M_2 c $n_{2 \text{ Eck}}$ $n_{2 \text{ th}}$					51 5.6 255 255	62 4.8 255 255				
15.869	572	2.35	M_2 c $n_{2 \text{ Eck}}$ $n_{2 \text{ th}}$							59 5.0 255 255	137 4.0 95 95	111 3.3 189 189	
15.869	605	2.35	M_2 c $n_{2 \text{ Eck}}$ $n_{2 \text{ th}}$										
17.360	462	2.01	M_2 c $n_{2 \text{ Eck}}$ $n_{2 \text{ th}}$					56 5.5 233 233	67 4.6 233 233				
17.360	597	2.01	M_2 c $n_{2 \text{ Eck}}$ $n_{2 \text{ th}}$							64 4.9 233 233	150 3.9 86 86	122 3.3 173 173	
17.360	624	2.01	M_2 c $n_{2 \text{ Eck}}$ $n_{2 \text{ th}}$										
20.417	488	4.17	M_2 c $n_{2 \text{ Eck}}$ $n_{2 \text{ th}}$							90 4.1 96 96	71 3.3 198 198	166 2.9 147 147	134 2.2 147 147
22.143	494	1.39	M_2 c $n_{2 \text{ Eck}}$ $n_{2 \text{ th}}$					72 5.1 183 183	86 4.3 183 183				
22.143	638	1.39	M_2 c $n_{2 \text{ Eck}}$ $n_{2 \text{ th}}$							103 5.6 88 88	82 4.5 183 183	192 3.3 68 68	155 3.0 136 135
22.143	673	1.39	M_2 c $n_{2 \text{ Eck}}$ $n_{2 \text{ th}}$										
24.800	561	3.06	M_2 c $n_{2 \text{ Eck}}$ $n_{2 \text{ th}}$							110 4.0 79 79	88 3.1 163 163	202 2.7 61 60	165 2.1 121 121
27.125	518	1.04	M_2 c $n_{2 \text{ Eck}}$ $n_{2 \text{ th}}$				71 5.9 138 138	88 4.9 149 149	106 4.1 149 149				

M ... [Nm]
n ... [r/min]
J ... [kgcm²]

P ... [kW]
I ... [A]
i [-]
c [-]

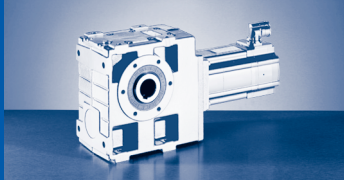


$M_{2GN} \leq 720 \text{ Nm}$

12HC35	12LC20	12LC41	14DC15	14DC36	14HC15	14HC32	14LC15	14LC32	14PC14	14PC32	GSS06-2S			
...500	...500	...500	...500	...500	...500	...500	...500	...500	...500	...500	M_1	J_G	M_{2GN}	i
7.50	13.50	11.00	9.20	7.50	16.00	14.00	23.00	17.20	30.00	21.00	n_1			
3525	1950	4050	1500	3600	1500	3225	1500	3225	1350	3225	I_{M230}			
	11.8										I_{M400}			
5.7	5.9	10.2	4.5	7.5	6.6	11.9	9.7	15.0	10.8	15.6	P_N			
2.80	2.80	4.70	1.45	2.80	2.50	4.70	3.60	5.80	4.20	7.10	J_M			
7.42	10.72	10.72	8.22	8.22	14.32	14.32	23.44	23.44	34.74	34.82	M_2			
			117	96	208	182	301	224	394	274	c	1.63	528	14.286
			4.4	3.4	2.5	2.0	1.7	1.6	1.3	1.3	$n_{2 \text{ Eck}}$			
			105	252	105	226	105	226	95	226	$n_{2 \text{ th}}$			
			105	251	105	226	105	226	95	226	M_2			
											c	2.35	443	15.869
											$n_{2 \text{ Eck}}$			
											$n_{2 \text{ th}}$			
105	189	155									M_2			
3.1	2.6	2.0									c	2.35	572	15.869
222	123	255									$n_{2 \text{ Eck}}$			
222	123	255									$n_{2 \text{ th}}$			
			125	105	223	198	323	244	423	299	M_2			
			4.6	2.9	2.7	1.7	1.9	1.4	1.4	1.1	c	2.35	605	15.869
			95	227	95	203	95	203	85	203	$n_{2 \text{ Eck}}$			
			95	226	95	203	95	203	85	203	$n_{2 \text{ th}}$			
											M_2			
											c	2.01	462	17.360
											$n_{2 \text{ Eck}}$			
											$n_{2 \text{ th}}$			
114	206	170									M_2			
3.0	2.5	1.9									c	2.01	597	17.360
203	112	233									$n_{2 \text{ Eck}}$			
203	112	233									$n_{2 \text{ th}}$			
			137	115	244	217	353	267	463	327	M_2			
			4.4	2.8	2.5	1.6	1.8	1.3	1.3	1.1	c	2.01	624	17.360
			86	207	86	186	86	186	78	186	$n_{2 \text{ Eck}}$			
			86	207	86	186	86	186	78	186	$n_{2 \text{ th}}$			
125	227	185	152	125	268	236	388				M_2			
2.1	1.7	1.3	3.1	1.9	1.8	1.1	1.3				c	4.17	488	20.417
173	96	198	74	176	74	158	74				$n_{2 \text{ Eck}}$			
173	96	198	73	176	73	158	73				$n_{2 \text{ th}}$			
											M_2			
											c	1.39	494	22.143
											$n_{2 \text{ Eck}}$			
											$n_{2 \text{ th}}$			
146	263	217									M_2			
2.8	2.3	1.8									c	1.39	638	22.143
159	88	183									$n_{2 \text{ Eck}}$			
159	88	183									$n_{2 \text{ th}}$			
			175	146	310	277	450	341	589	417	M_2			
			3.7	2.6	2.1	1.5	1.5	1.2	1.1	1.0	c	1.39	673	22.143
			68	163	68	146	68	146	61	146	$n_{2 \text{ Eck}}$			
			68	162	68	146	68	146	61	146	$n_{2 \text{ th}}$			
155	279	229	186	155	328	292	474				M_2			
2.0	1.6	1.2	3.0	1.8	1.7	1.1	1.2				c	3.06	561	24.800
142	79	163	61	145	61	130	61				$n_{2 \text{ Eck}}$			
142	79	163	60	145	60	130	60				$n_{2 \text{ th}}$			
											M_2			
											c	1.04	518	27.125
											$n_{2 \text{ Eck}}$			
											$n_{2 \text{ th}}$			

M ... [Nm]
n ... [r/min]
J ... [kgcm²]

P ... [kW]
I ... [A]
i [-]
c [-]



GSS [Nm]

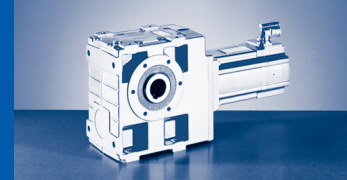
GSS□□-□S (MCS)

$M_{2GN} \leq 720 \text{ Nm}$

GSS06-2S				06FC41	06IC41	09DC41	09FC38	09HC41	09LC41	12DC20	12DC41	12HC15	12HC30	
				...500	...500	...500	...500	...500	...500	...500	...500	...500	...500	
i	M_{2GN}	J_G	M_1	1.20	1.50	2.30	3.10	3.80	4.50	5.50	4.30	10.00	8.00	
			n_1	4050	4050	4050	3750	4050	4050	1950	4050	1500	3000	
			I_{M230}	2.9	3.2	4.6	5.0	6.8	8.4	5.2	8.8	7.6	10.5	
			I_{M400}	1.5	1.6	2.3	2.5	3.4	4.2	2.6	4.5	3.8		
			P_N	0.51	0.64	1.00	1.20	1.60	1.90	1.10	1.80	1.60	2.50	
			J_M	0.25	0.33	1.13	1.53	1.93	2.83	4.12	4.12	7.42	7.42	
27.125	669	1.04	M_2							127	101	235	190	
			c							4.8	4.3	2.8	2.9	
			$n_{2 \text{ Eck}}$								72	149	55	111
			$n_{2 \text{ th}}$								72	149	55	111
27.125	718	1.04	M_2											
			c											
			$n_{2 \text{ Eck}}$											
			$n_{2 \text{ th}}$											
31.738	609	2.10	M_2			58	80	99	118	141	112	259	211	
			c			5.5	4.1	3.3	2.8	3.7	2.9	2.3	2.0	
			$n_{2 \text{ Eck}}$			128	118	128	128	61	128	47	95	
			$n_{2 \text{ th}}$			128	118	128	128	61	128	47	95	
35.306	537	0.66	M_2				93	115	138					
			c				5.5	4.5	3.8					
			$n_{2 \text{ Eck}}$				106	115	115					
			$n_{2 \text{ th}}$				106	115	115					
35.306	693	0.66	M_2							166	131	306	248	
			c							4.1	4.0	2.2	2.5	
			$n_{2 \text{ Eck}}$							55	115	43	85	
			$n_{2 \text{ th}}$							55	115	42	85	
39.200	637	1.64	M_2			71	98	121	144	173	137	317	258	
			c			5.1	3.8	3.1	2.6	3.2	2.7	2.0	1.8	
			$n_{2 \text{ Eck}}$			103	96	103	103	50	103	38	77	
			$n_{2 \text{ th}}$			103	96	103	103	50	103	38	77	
43.917	554	0.48	M_2				116	144	172					
			c				4.7	3.8	3.2					
			$n_{2 \text{ Eck}}$				85	92	92					
			$n_{2 \text{ th}}$				85	92	92					
43.917	715	0.48	M_2							207	163	380	308	
			c							3.4	3.6	1.9	2.1	
			$n_{2 \text{ Eck}}$							44	92	34	68	
			$n_{2 \text{ th}}$							44	92	34	68	
50.000	693	1.16	M_2			91	125	154	183	221	175	403	328	
			c			4.8	3.5	2.9	2.4	2.7	2.5	1.7	1.7	
			$n_{2 \text{ Eck}}$			81	75	81	81	39	81	30	60	
			$n_{2 \text{ th}}$			81	75	81	81	39	81	30	60	
54.250	720	0.96	M_2			100	136	168	200	241	191	440	359	
			c			4.7	3.5	2.9	2.4	2.7	2.5	1.6	1.6	
			$n_{2 \text{ Eck}}$			75	69	75	75	36	75	28	55	
			$n_{2 \text{ th}}$			75	69	75	75	36	75	28	55	
61.250	720	0.89	M_2			112	153	188	224	270	214	492	402	
			c			4.5	3.3	2.7	2.3	2.4	2.4	1.5	1.5	
			$n_{2 \text{ Eck}}$			66	61	66	66	32	66	25	49	
			$n_{2 \text{ th}}$			66	61	66	66	32	66	24	49	
70.611	720	0.61	M_2			130	177	218	260	314	248	569	465	
			c			4.2	3.1	2.5	2.1	2.2	2.2	1.3	1.4	
			$n_{2 \text{ Eck}}$			57	53	57	57	28	57	21	43	
			$n_{2 \text{ th}}$			57	53	57	57	28	57	21	42	
79.722	720	0.57	M_2		93	146	199	245	291	351	278	635	520	
			c		5.8	3.8	2.8	2.3	1.9	2.0	2.0	1.1	1.2	
			$n_{2 \text{ Eck}}$		51	51	47	51	51	25	51	19	38	
			$n_{2 \text{ th}}$		51	51	47	51	51	24	51	19	38	

M ... [Nm]
n ... [r/min]
J ... [kgcm²]

P ... [kW]
I ... [A]
i [-]
c [-]

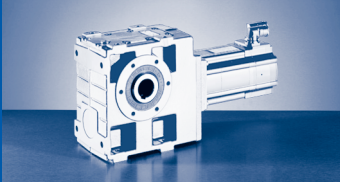


$M_{2GN} \leq 720 \text{ Nm}$

12HC35	12LC20	12LC41	14DC15	14DC36	14HC15	14HC32	14LC15	14LC32	14PC14	14PC32	GSS06-2S			
...S00	...S00	...S00	...S00	...S00	...S00	...S00	...S00	...S00	...S00	...S00	M_1	J_G	M_{2GN}	i
7.50	13.50	11.00	9.20	7.50	16.00	14.00	23.00	17.20	30.00	21.00	n_1			
3525	1950	4050	1500	3600	1500	3225	1500	3225	1350	3225	I_{M230}			
	11.8										I_{M400}			
5.7	5.9	10.2	4.5	7.5	6.6	11.9	9.7	15.0	10.8	15.6	P_N			
2.80	2.80	4.70	1.45	2.80	2.50	4.70	3.60	5.80	4.20	7.10	J_M			
7.42	10.72	10.72	8.22	8.22	14.32	14.32	23.44	23.44	34.74	34.82	M_2			
179	322	265									c	1.04	669	27.125
2.7	2.0	1.7									$n_{2 \text{ Eck}}$			
130	72	149									$n_{2 \text{ th}}$			
130	72	149									M_2			
			215	179	380	339	550	417			c	1.04	718	27.125
			3.3	2.5	1.9	1.4	1.3	1.2			$n_{2 \text{ Eck}}$			
			55	133	55	119	55	119			$n_{2 \text{ th}}$			
			55	132	55	119	55	119			M_2			
198	355	293	237	199	418		604				c	2.10	609	31.738
1.8	1.5	1.1	2.5	1.7	1.5		1.0				$n_{2 \text{ Eck}}$			
111	61	128	47	113	47		47				$n_{2 \text{ th}}$			
111	61	128	47	113	47		47				M_2			
											c	0.66	537	35.306
											$n_{2 \text{ Eck}}$			
											$n_{2 \text{ th}}$			
233	419	345									M_2			
2.5	1.7	1.6									c	0.66	693	35.306
100	55	115									$n_{2 \text{ Eck}}$			
100	55	115									$n_{2 \text{ th}}$			
242	435	358	291	243	512						M_2			
1.7	1.3	1.1	2.2	1.6	1.2						c	1.64	637	39.200
90	50	103	38	92	38						$n_{2 \text{ Eck}}$			
90	50	103	38	92	38						$n_{2 \text{ th}}$			
											M_2			
											c	0.48	554	43.917
											$n_{2 \text{ Eck}}$			
											$n_{2 \text{ th}}$			
290	521	428									M_2			
2.1	1.4	1.4									c	0.48	715	43.917
80	44	92									$n_{2 \text{ Eck}}$			
80	44	92									$n_{2 \text{ th}}$			
309	553		370	309	650						M_2			
1.6	1.1		1.9	1.5	1.1						c	1.16	693	50.000
71	39		30	72	30						$n_{2 \text{ Eck}}$			
71	39		30	72	30						$n_{2 \text{ th}}$			
337	604		404	338	710						M_2			
1.6	1.1		1.8	1.5	1.0						c	0.96	720	54.250
65	36		28	66	28						$n_{2 \text{ Eck}}$			
65	36		28	66	28						$n_{2 \text{ th}}$			
378			452	378							M_2			
1.4			1.6	1.4							c	0.89	720	61.250
58			25	59							$n_{2 \text{ Eck}}$			
58			24	59							$n_{2 \text{ th}}$			
437											M_2			
1.3											c	0.61	720	70.611
50											$n_{2 \text{ Eck}}$			
50											$n_{2 \text{ th}}$			
490											M_2			
1.2											c	0.57	720	79.722
44											$n_{2 \text{ Eck}}$			
44											$n_{2 \text{ th}}$			

$M \dots$ [Nm]
 $n \dots$ [r/min]
 $J \dots$ [kgcm²]

$P \dots$ [kW]
 $I \dots$ [A]
 $i [-]$
 $c [-]$



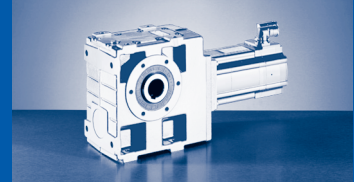
GSS [Nm] GSS□□-□S (MCS)

$M_{2GN} \leq 720 \text{ Nm}$

GSS06-2S				06FC41	06IC41	09DC41	09FC38	09HC41	09LC41	12DC20	12DC41	12HC15	12HC30
				...500	...500	...500	...500	...500	...500	...500	...500	...500	...500
i	M_{2GN}	J_G	M_1	1.20	1.50	2.30	3.10	3.80	4.50	5.50	4.30	10.00	8.00
			n_1	4050	4050	4050	3750	4050	4050	1950	4050	1500	3000
			I_{M230}	2.9	3.2	4.6	5.0	6.8	8.4	5.2	8.8	7.6	10.5
			I_{M400}	1.5	1.6	2.3	2.5	3.4	4.2	2.6	4.5	3.8	
			P_N	0.51	0.64	1.00	1.20	1.60	1.90	1.10	1.80	1.60	2.50
			J_M	0.25	0.33	1.13	1.53	1.93	2.83	4.12	4.12	7.42	7.42
87.833	684	0.44	M_2 c $n_{2 \text{ Eck}}$ $n_{2 \text{ th}}$		103 5.6 46 46								
87.833	720	0.44	M_2 c $n_{2 \text{ Eck}}$ $n_{2 \text{ th}}$			162 3.7 46 46	220 2.7 43 43	272 2.2 46 46	323 1.9 46 46	389 1.8 22 22	308 2.0 46 46	702 1.0 17 17	577 1.2 34 34
99.167	720	0.42	M_2 c $n_{2 \text{ Eck}}$ $n_{2 \text{ th}}$		116 5.1 41 41	181 3.3 41 41	247 2.5 38 38	304 2.0 41 41	362 1.7 41 41	434 1.7 20 20	345 1.8 41 41		645 1.1 30 30
113.667	699	0.28	M_2 c $n_{2 \text{ Eck}}$ $n_{2 \text{ th}}$	105 5.9 36 36	134 4.8 36 36								
113.667	720	0.28	M_2 c $n_{2 \text{ Eck}}$ $n_{2 \text{ th}}$			209 3.1 36 36	285 2.3 33 33	351 1.9 36 36	417 1.6 36 36				
128.333	720	0.26	M_2 c $n_{2 \text{ Eck}}$ $n_{2 \text{ th}}$	118 5.4 32 32	150 4.3 32 32	234 2.8 32 32	319 2.1 29 29	393 1.7 32 32	466 1.4 32 32				
137.950	700	0.20	M_2 c $n_{2 \text{ Eck}}$ $n_{2 \text{ th}}$	128 5.3 29 29	162 4.2 29 29								
137.950	720	0.20	M_2 c $n_{2 \text{ Eck}}$ $n_{2 \text{ th}}$			253 2.7 29 29	345 2.0 27 27	424 1.7 29 29	504 1.4 29 29				
155.750	720	0.19	M_2 c $n_{2 \text{ Eck}}$ $n_{2 \text{ th}}$	144 4.8 26 26	182 3.8 26 26	283 2.5 26 26	385 1.8 24 24	474 1.5 26 26	563 1.3 26 26				
174.375	681	0.13	M_2 c $n_{2 \text{ Eck}}$ $n_{2 \text{ th}}$	162 4.2 23 23	205 3.4 23 23								
196.875	720	0.12	M_2 c $n_{2 \text{ Eck}}$ $n_{2 \text{ th}}$	182 3.8 21 21	229 3.0 21 21								

M ... [Nm]
n ... [r/min]
J ... [kgcm²]

P ... [kW]
I ... [A]
i [-]
c [-]

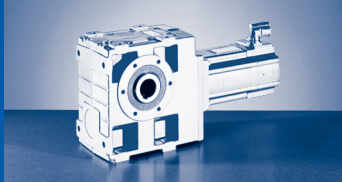


$M_{2GN} \leq 720 \text{ Nm}$

12HC35	12LC20	12LC41	14DC15	14DC36	14HC15	14HC32	14LC15	14LC32	14PC14	14PC32	GSS06-2S			
...S00	...S00	...S00	...S00	...S00	...S00	...S00	...S00	...S00	...S00	...S00	M_1	J_G	M_{2GN}	i
7.50	13.50	11.00	9.20	7.50	16.00	14.00	23.00	17.20	30.00	21.00	n_1			
3525	1950	4050	1500	3600	1500	3225	1500	3225	1350	3225	I_{M230}			
	11.8										I_{M400}			
5.7	5.9	10.2	4.5	7.5	6.6	11.9	9.7	15.0	10.8	15.6	P_N			
2.80	2.80	4.70	1.45	2.80	2.50	4.70	3.60	5.80	4.20	7.10	J_M			
7.42	10.72	10.72	8.22	8.22	14.32	14.32	23.44	23.44	34.74	34.82	M_2			
											c	0.44	684	87.833
											n_2 Eck			
											n_2 th			
543											M_2			
1.2											c	0.44	720	87.833
40											n_2 Eck			
40											n_2 th			
607											M_2			
1.1											c	0.42	720	99.167
36											n_2 Eck			
36											n_2 th			
											M_2			
											c	0.28	699	113.667
											n_2 Eck			
											n_2 th			
											M_2			
											c	0.28	720	113.667
											n_2 Eck			
											n_2 th			
											M_2			
											c	0.26	720	128.333
											n_2 Eck			
											n_2 th			
											M_2			
											c	0.20	700	137.950
											n_2 Eck			
											n_2 th			
											M_2			
											c	0.20	720	137.950
											n_2 Eck			
											n_2 th			
											M_2			
											c	0.19	720	155.750
											n_2 Eck			
											n_2 th			
											M_2			
											c	0.13	681	174.375
											n_2 Eck			
											n_2 th			
											M_2			
											c	0.12	720	196.875
											n_2 Eck			
											n_2 th			

M ... [Nm]
n ... [r/min]
J ... [kgcm²]

P ... [kW]
I ... [A]
i [-]
c [-]



GSS [Nm]

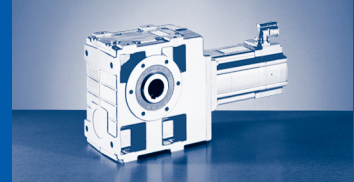
GSS□□-□S (MCS)

$M_{2GN} \leq 720 \text{ Nm}$

GSS06-3S				06CC41	06FC41	06IC41	09DC41	09FC38	09HC41
				...500	...500	...500	...500	...500	...500
i	M_{2GN}	J_G	M_1	0.60	1.20	1.50	2.30	3.10	3.80
			n_1	4050	4050	4050	4050	3750	4050
			I_{M230}	2.6	2.9	3.2	4.6	5.0	6.8
			I_{M400}	1.3	1.5	1.6	2.3	2.5	3.4
			P_N	0.25	0.51	0.64	1.00	1.20	1.60
			J_M	0.17	0.25	0.33	1.13	1.53	1.93
126.531	720	0.31	M_2		116	146	226	306	376
			c		3.2	2.5	1.7	1.2	1.0
			$n_{2 \text{ Eck}}$		32	32	32	30	32
			$n_{2 \text{ th}}$		32	32	32	30	32
142.857	720	0.30	M_2		129	162	252	341	419
			c		3.2	2.5	1.7	1.2	1.0
			$n_{2 \text{ Eck}}$		28	28	28	26	28
			$n_{2 \text{ th}}$		28	28	28	26	28
155.000	720	0.27	M_2	68	141	178	275	372	
			c	5.6	2.8	2.3	1.5	1.1	
			$n_{2 \text{ Eck}}$	26	26	26	26	24	
			$n_{2 \text{ th}}$	26	26	26	26	24	
175.000	720	0.26	M_2	76	157	197	306	414	
			c	5.6	2.8	2.3	1.5	1.1	
			$n_{2 \text{ Eck}}$	23	23	23	23	21	
			$n_{2 \text{ th}}$	23	23	23	23	21	
194.857	720	0.14	M_2	85	176	222			
			c	4.7	2.4	1.9			
			$n_{2 \text{ Eck}}$	21	21	21			
			$n_{2 \text{ th}}$	21	21	21			
220.000	720	0.14	M_2	95	196	246			
			c	4.7	2.4	1.9			
			$n_{2 \text{ Eck}}$	18	18	18			
			$n_{2 \text{ th}}$	18	18	18			
238.700	720	0.13	M_2	104	214	269			
			c	4.2	2.1	1.7			
			$n_{2 \text{ Eck}}$	17	17	17			
			$n_{2 \text{ th}}$	17	17	17			
269.500	720	0.12	M_2	116	238	299			
			c	4.2	2.1	1.7			
			$n_{2 \text{ Eck}}$	15	15	15			
			$n_{2 \text{ th}}$	15	15	15			
310.689	720	0.11	M_2	136	277	348			
			c	2.8	1.4	1.1			
			$n_{2 \text{ Eck}}$	13	13	13			
			$n_{2 \text{ th}}$	13	13	13			
350.778	720	0.11	M_2	151	307	385			
			c	2.8	1.4	1.1			
			$n_{2 \text{ Eck}}$	12	12	12			
			$n_{2 \text{ th}}$	12	12	12			
386.467	720	0.10	M_2	168	341				
			c	2.4	1.2				
			$n_{2 \text{ Eck}}$	11	11				
			$n_{2 \text{ th}}$	10	10				
436.333	720	0.10	M_2	186	379				
			c	2.4	1.2				
			$n_{2 \text{ Eck}}$	9	9				
			$n_{2 \text{ th}}$	9	9				
497.722	720	0.07	M_2	214	434				
			c	2.0	1.0				
			$n_{2 \text{ Eck}}$	8	8				
			$n_{2 \text{ th}}$	8	8				

$M \dots$ [Nm]
 $n \dots$ [r/min]
 $J \dots$ [kgcm²]

$P \dots$ [kW]
 $I \dots$ [A]
 $i \dots$ [-]
 $c \dots$ [-]

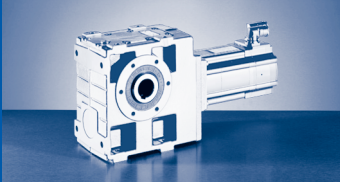


$M_{2GN} \leq 720 \text{ Nm}$

GSS06-3S				06CC41	06FC41	06IC41	09DC41	09FC38	09HC41
				...500	...500	...500	...500	...500	...500
i	M_{2GN}	J_G	M_1	0.60	1.20	1.50	2.30	3.10	3.80
			n_1	4050	4050	4050	4050	3750	4050
			I_{M230}	2.6	2.9	3.2	4.6	5.0	6.8
			I_{M400}	1.3	1.5	1.6	2.3	2.5	3.4
			P_N	0.25	0.51	0.64	1.00	1.20	1.60
			J_M	0.17	0.25	0.33	1.13	1.53	1.93
561.944	720	0.07	M_2	238	482				
			c	2.0	1.0				
			$n_{2 \text{ Eck}}$	7	7				
			$n_{2 \text{ th}}$	7	7				

M ... [Nm]
n ... [r/min]
J ... [kgcm²]

P ... [kW]
I ... [A]
i [-]
c [-]



GSS [Nm]

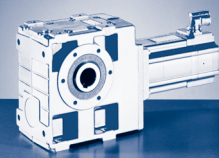
GSS□□-□S (MCS)

$M_{2GN} \leq 1250 \text{ Nm}$

GSS07-2S				09DC41	09FC38	09HC41	09LC41	12DC20	12DC41	12HC15	12HC30	12HC35	12LC20	12LC41	14DC15
				...500	...500	...500	...500	...500	...500	...500	...500	...500	...500	...500	...500
i	M_{2GN}	J_G	M_1	2.30	3.10	3.80	4.50	5.50	4.30	10.00	8.00	7.50	13.50	11.00	9.20
			n_1	4050	3750	4050	4050	1950	4050	1500	3000	3525	1950	4050	1500
			I_{M230}	4.6	5.0	6.8	8.4	5.2	8.8	7.6	10.5		11.8		
			I_{M400}	2.3	2.5	3.4	4.2	2.6	4.5	3.8		5.7	5.9	10.2	4.5
			P_N	1.00	1.20	1.60	1.90	1.10	1.80	1.60	2.50	2.80	2.80	4.70	1.45
			J_M	1.13	1.53	1.93	2.83	4.12	4.12	7.42	7.42	7.42	10.72	10.72	8.22
5.862	539	21.36	M_2 c $n_{2 \text{ Eck}}$ $n_{2 \text{ th}}$												
8.125	685	12.75	M_2 c $n_{2 \text{ Eck}}$ $n_{2 \text{ th}}$												
9.086	628	17.44	M_2 c $n_{2 \text{ Eck}}$ $n_{2 \text{ th}}$												
10.000	468	9.14	M_2 c $n_{2 \text{ Eck}}$ $n_{2 \text{ th}}$							89 5.0 150 150			122 3.7 195 195	99 3.8 405 405	
10.000	734	9.14	M_2 c $n_{2 \text{ Eck}}$ $n_{2 \text{ th}}$												
10.000	797	9.14	M_2 c $n_{2 \text{ Eck}}$ $n_{2 \text{ th}}$												
11.200	496	7.50	M_2 c $n_{2 \text{ Eck}}$ $n_{2 \text{ th}}$							100 4.8 134 134	79 6.0 268 268	74 5.9 315 315	137 3.5 174 174	111 3.7 362 362	
11.200	771	7.50	M_2 c $n_{2 \text{ Eck}}$ $n_{2 \text{ th}}$												
11.200	866	7.50	M_2 c $n_{2 \text{ Eck}}$ $n_{2 \text{ th}}$												
12.594	799	10.71	M_2 c $n_{2 \text{ Eck}}$ $n_{2 \text{ th}}$												
14.286	533	4.84	M_2 c $n_{2 \text{ Eck}}$ $n_{2 \text{ th}}$							129 4.0 105 105	101 5.0 210 210	95 5.4 247 247	175 3.0 137 137	142 3.4 284 284	
14.286	737	4.84	M_2 c $n_{2 \text{ Eck}}$ $n_{2 \text{ th}}$												
15.500	704	7.79	M_2 c $n_{2 \text{ Eck}}$ $n_{2 \text{ th}}$							134 5.0 97 97	107 5.0 194 194	101 4.7 227 227	183 3.7 126 126	151 3.0 261 261	

$M \dots$ [Nm]
 $n \dots$ [r/min]
 $J \dots$ [kgcm²]

$P \dots$ [kW]
 $I \dots$ [A]
 $i \dots$ [-]
 $c \dots$ [-]

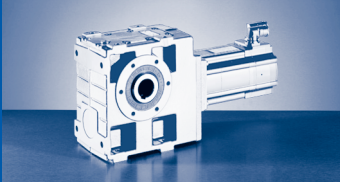


$M_{2GN} \leq 1250 \text{ Nm}$

14DC36	14HC15	14HC32	14LC15	14LC32	14PC14	14PC32	19FC14	19FC30	19JC14	19JC30	19PC14	19PC30	GSS07-2S			
...500	...500	...500	...500	...500	...500	...500	...500	...500	...500	...500	...500	...500	M_1	J_G	M_{2GN}	i
7.50	16.00	14.00	23.00	17.20	30.00	21.00	27.00	21.00	40.00	29.00	51.00	32.00	n_1			
3600	1500	3225	1500	3225	1350	3225	1425	3000	1425	3000	1350	3000	I_{M230}			
7.5	6.6	11.9	9.7	15.0	10.8	15.6	8.6	14.0	12.3	18.5	14.3	19.0	I_{M400}			
2.80	2.50	4.70	3.60	5.80	4.20	7.10	4.00	6.60	6.00	9.10	7.20	10.00	P_N			
8.22	14.32	14.32	23.44	23.44	34.74	34.82	65.12	65.04	105.04	105.12	160.12	160.04	J_M			
		73	120	91	159	111	142	111	214	155	274	171	M_2	21.36	539	5.862
		3.8	4.3	3.1	3.3	2.5	3.7	2.9	2.5	2.1	2.0	1.9	c			
		550	256	550	230	550	243	512	243	512	230	512	$n_{2\text{Eck}}$			
		550	256	550	230	550	243	377	243	377	230	377	$n_{2\text{th}}$			
53	115	102	168	126	221	155	198	155	298	216	381	238	M_2	12.75	685	8.125
5.9	5.7	3.4	4.0	2.8	3.0	2.3	3.4	2.6	2.3	1.9	1.8	1.7	c			
443	185	397	185	397	166	397	175	369	175	369	166	369	$n_{2\text{Eck}}$			
442	185	397	185	397	166	397	175	272	175	272	166	272	$n_{2\text{th}}$			
58	126	112	184	139	242	170	217	170	325	236	417	261	M_2	17.44	628	9.086
5.7	4.8	3.3	3.3	2.7	2.6	2.2	2.8	2.4	1.9	1.7	1.5	1.6	c			
396	165	355	165	355	149	355	157	330	157	330	149	330	$n_{2\text{Eck}}$			
395	165	355	165	355	149	355	157	243	157	243	149	243	$n_{2\text{th}}$			
													M_2	9.14	468	10.000
													c			
													$n_{2\text{Eck}}$			
													$n_{2\text{th}}$			
66	142	126	208	156	274	192							M_2	9.14	734	10.000
5.5	4.9	3.3	3.4	2.6	2.6	2.2							c			
360	150	323	150	323	135	323							$n_{2\text{Eck}}$			
359	150	323	150	323	135	323							$n_{2\text{th}}$			
							245	191	367	266	470	294	M_2	9.14	797	10.000
							3.2	2.5	2.2	1.8	1.7	1.6	c			
							143	300	143	300	135	300	$n_{2\text{Eck}}$			
							143	221	143	221	135	221	$n_{2\text{th}}$			
													M_2	7.50	496	11.200
													c			
													$n_{2\text{Eck}}$			
													$n_{2\text{th}}$			
74	160	142	234	175	307	215							M_2	7.50	771	11.200
5.4	4.6	3.2	3.2	2.6	2.5	2.1							c			
321	134	288	134	288	121	288							$n_{2\text{Eck}}$			
321	134	288	134	288	121	288							$n_{2\text{th}}$			
							275	215	411	298	527	330	M_2	7.50	866	11.200
							3.1	2.4	2.1	1.7	1.6	1.6	c			
							127	268	127	268	121	268	$n_{2\text{Eck}}$			
							127	197	127	197	121	197	$n_{2\text{th}}$			
82	175	156	256	193	336	237	302	237	451	329	578	363	M_2	10.71	799	12.594
4.9	4.4	2.8	3.1	2.3	2.3	1.9	2.6	2.1	1.8	1.5	1.4	1.4	c			
286	119	256	119	256	107	256	113	238	113	238	107	238	$n_{2\text{Eck}}$			
285	119	256	119	256	107	256	113	176	113	176	107	176	$n_{2\text{th}}$			
													M_2	4.84	533	14.286
													c			
													$n_{2\text{Eck}}$			
													$n_{2\text{th}}$			
95	207	181	301	224	395	275							M_2	4.84	737	14.286
5.0	3.5	2.9	2.4	2.4	1.9	2.0							c			
252	105	226	105	226	95	226							$n_{2\text{Eck}}$			
251	105	226	105	226	95	226							$n_{2\text{th}}$			
													M_2	7.79	704	15.500
													c			
													$n_{2\text{Eck}}$			
													$n_{2\text{th}}$			

M ... [Nm]
n ... [r/min]
J ... [kgcm²]

P ... [kW]
I ... [A]
i [-]
c [-]



GSS [Nm]

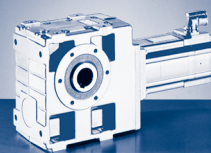
GSS□□-□S (MCS)

$M_{2GN} \leq 1250 \text{ Nm}$

GSS07-2S				09DC41	09FC38	09HC41	09LC41	12DC20	12DC41	12HC15	12HC30	12HC35	12LC20	12LC41	14DC15
				...500	...500	...500	...500	...500	...500	...500	...500	...500	...500	...500	...500
i	M_{2GN}	J_G	M_1	2.30	3.10	3.80	4.50	5.50	4.30	10.00	8.00	7.50	13.50	11.00	9.20
			n_1	4050	3750	4050	4050	1950	4050	1500	3000	3525	1950	4050	1500
			I_{M230}	4.6	5.0	6.8	8.4	5.2	8.8	7.6	10.5		11.8		
			I_{M400}	2.3	2.5	3.4	4.2	2.6	4.5	3.8		5.7	5.9	10.2	4.5
			P_N	1.00	1.20	1.60	1.90	1.10	1.80	1.60	2.50	2.80	2.80	4.70	1.45
			J_M	1.13	1.53	1.93	2.83	4.12	4.12	7.42	7.42	7.42	10.72	10.72	8.22
15.500	931	7.79	M_2 c $n_{2 \text{ Eck}}$ $n_{2 \text{ th}}$												
17.360	746	6.42	M_2 c $n_{2 \text{ Eck}}$ $n_{2 \text{ th}}$							150 4.8 86 86	120 4.8 173 173	113 4.5 203 203	206 3.5 112 112	169 2.9 233 233	
17.360	1012	6.42	M_2 c $n_{2 \text{ Eck}}$ $n_{2 \text{ th}}$												
20.517	764	13.58	M_2 c $n_{2 \text{ Eck}}$ $n_{2 \text{ th}}$												152 4.8 73 73
22.143	797	4.18	M_2 c $n_{2 \text{ Eck}}$ $n_{2 \text{ th}}$							192 4.0 68 68	154 4.5 136 135	145 4.2 159 159	264 3.0 88 88	216 2.6 183 183	
22.143	1103	4.18	M_2 c $n_{2 \text{ Eck}}$ $n_{2 \text{ th}}$												
25.188	913	9.59	M_2 c $n_{2 \text{ Eck}}$ $n_{2 \text{ th}}$												189 4.6 60 60
27.125	837	3.13	M_2 c $n_{2 \text{ Eck}}$ $n_{2 \text{ th}}$							236 3.5 55 55	189 4.3 111 111	178 4.0 130 130	324 2.6 72 72	265 2.5 149 149	
27.125	1250	3.13	M_2 c $n_{2 \text{ Eck}}$ $n_{2 \text{ th}}$												212 5.6 55 55
31.000	1065	7.05	M_2 c $n_{2 \text{ Eck}}$ $n_{2 \text{ th}}$					137 5.7 63 63	109 4.7 131 131	254 4.1 48 48	206 3.0 97 97	194 2.9 114 114	351 2.3 63 63	288 1.8 131 131	233 4.4 48 48
35.306	676	1.96	M_2 c $n_{2 \text{ Eck}}$ $n_{2 \text{ th}}$			115 5.7 115 115	137 4.8 115 115								
35.306	870	1.96	M_2 c $n_{2 \text{ Eck}}$ $n_{2 \text{ th}}$					166 5.0 55 55	130 6.0 115 115	309 2.8 43 42	248 3.5 85 85	232 3.7 100 100	422 2.1 55 55	345 2.3 115 115	
35.306	1250	1.96	M_2 c $n_{2 \text{ Eck}}$ $n_{2 \text{ th}}$												279 4.3 43 42

M ... [Nm]
n ... [r/min]
J ... [kgcm²]

P ... [kW]
I ... [A]
i [-]
c [-]

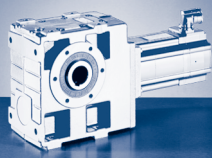


$M_{2GN} \leq 1250 \text{ Nm}$

14DC36	14HC15	14HC32	14LC15	14LC32	14PC14	14PC32	19FC14	19FC30	19JC14	19JC30	19PC14	19PC30	GSS07-2S			
...500	...500	...500	...500	...500	...500	...500	...500	...500	...500	...500	...500	...500	M_1	J_G	M_{2GN}	i
7.50	16.00	14.00	23.00	17.20	30.00	21.00	27.00	21.00	40.00	29.00	51.00	32.00	n_1			
3600	1500	3225	1500	3225	1350	3225	1425	3000	1425	3000	1350	3000	I_{M230}			
7.5	6.6	11.9	9.7	15.0	10.8	15.6	8.6	14.0	12.3	18.5	14.3	19.0	I_{M400}			
2.80	2.50	4.70	3.60	5.80	4.20	7.10	4.00	6.60	6.00	9.10	7.20	10.00	P_N			
8.22	14.32	14.32	23.44	23.44	34.74	34.82	65.12	65.04	105.04	105.12	160.12	160.04	J_M			
101	216	193	315	238	414	292	372	292	555	405	711	447	M_2			
4.4	4.2	2.5	2.9	2.1	2.2	1.7	2.5	1.9	1.7	1.4	1.3	1.3	c	7.79	931	15.500
232	97	208	97	208	87	208	92	194	92	194	87	194	$n_{2\text{ Eck}}$			
232	97	208	97	208	87	208	92	143	92	143	87	143	$n_{2\text{ th}}$			
													M_2			
													c	6.42	746	17.360
													$n_{2\text{ Eck}}$			
													$n_{2\text{ th}}$			
114	242	216	353	267	463	328	416	327	622	454	796	501	M_2			
4.2	4.0	2.4	2.8	2.0	2.2	1.6	2.4	1.8	1.6	1.3	1.3	1.2	c	6.42	1012	17.360
207	86	186	86	186	78	186	82	173	82	173	78	173	$n_{2\text{ Eck}}$			
207	86	186	86	186	78	186	82	127	82	127	78	127	$n_{2\text{ th}}$			
126	272	240	394	296	517	362	465	362	693				M_2			
3.3	2.8	1.9	1.9	1.5	1.5	1.3	1.6	1.4	1.1				c	13.58	764	20.517
176	73	157	73	157	66	157	70	146	70				$n_{2\text{ Eck}}$			
175	73	157	73	157	66	157	69	108	69				$n_{2\text{ th}}$			
													M_2			
													c	4.18	797	22.143
													$n_{2\text{ Eck}}$			
													$n_{2\text{ th}}$			
145	309	276	450	341	591	418							M_2			
3.9	3.5	2.3	2.4	1.8	1.9	1.5							c	4.18	1103	22.143
163	68	146	68	146	61	146							$n_{2\text{ Eck}}$			
162	68	146	68	146	61	146							$n_{2\text{ th}}$			
157	336	298	488	367	639	450	574	449	856				M_2			
3.0	2.7	1.7	1.9	1.4	1.4	1.1	1.6	1.2	1.1				c	9.59	913	25.188
143	60	128	60	128	54	128	57	119	57				$n_{2\text{ Eck}}$			
143	60	128	60	128	54	128	57	88	57				$n_{2\text{ th}}$			
													M_2			
													c	3.13	837	27.125
													$n_{2\text{ Eck}}$			
													$n_{2\text{ th}}$			
178	379	339	551	418	723	512							M_2			
3.7	3.2	2.2	2.2	1.8	1.7	1.4							c	3.13	1250	27.125
133	55	119	55	119	50	119							$n_{2\text{ Eck}}$			
132	55	119	55	119	50	119							$n_{2\text{ th}}$			
194	414	367	600	453	786	555	706	554	1052				M_2			
2.7	2.5	1.5	1.8	1.3	1.4	1.0	1.5	1.2	1.0				c	7.05	1065	31.000
116	48	104	48	104	44	104	46	97	46				$n_{2\text{ Eck}}$			
116	48	104	48	104	44	104	46	71	46				$n_{2\text{ th}}$			
													M_2			
													c	1.96	676	35.306
													$n_{2\text{ Eck}}$			
													$n_{2\text{ th}}$			
													M_2			
													c	1.96	870	35.306
													$n_{2\text{ Eck}}$			
													$n_{2\text{ th}}$			
233	495	441	718	544	941	667							M_2			
3.4	2.5	2.0	1.7	1.6	1.3	1.3							c	1.96	1250	35.306
102	43	91	43	91	38	91							$n_{2\text{ Eck}}$			
102	42	91	42	91	38	91							$n_{2\text{ th}}$			

M ... [Nm]
n ... [r/min]
J ... [kgcm²]

P ... [kW]
I ... [A]
i [-]
c [-]



GSS [Nm]

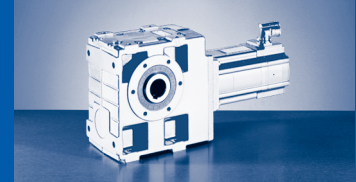
GSS□□-□S (MCS)

$M_{2GN} \leq 1250 \text{ Nm}$

GSS07-2S				09DC41	09FC38	09HC41	09LC41	12DC20	12DC41	12HC15	12HC30	12HC35	12LC20	12LC41	14DC15
				...500	...500	...500	...500	...500	...500	...500	...500	...500	...500	...500	...500
i	M_{2GN}	J_G	M_1	2.30	3.10	3.80	4.50	5.50	4.30	10.00	8.00	7.50	13.50	11.00	9.20
			n_1	4050	3750	4050	4050	1950	4050	1500	3000	3525	1950	4050	1500
			I_{M230}	4.6	5.0	6.8	8.4	5.2	8.8	7.6	10.5		11.8		
			I_{M400}	2.3	2.5	3.4	4.2	2.6	4.5	3.8		5.7	5.9	10.2	4.5
			P_N	1.00	1.20	1.60	1.90	1.10	1.80	1.60	2.50	2.80	2.80	4.70	1.45
			J_M	1.13	1.53	1.93	2.83	4.12	4.12	7.42	7.42	7.42	10.72	10.72	8.22
39.200	1175	5.37	M_2					172	137	319	260	244	440	362	292
			c				5.3	4.2	3.6	2.8	2.6	2.2	1.6	3.9	
			$n_{2 \text{ Eck}}$				50	103	38	77	90	50	103	38	
			$n_{2 \text{ th}}$				50	103	38	77	90	50	103	38	
43.271	706	1.43	M_2		114	142	169								
			c		5.9	4.8	4.1								
			$n_{2 \text{ Eck}}$		87	94	94								
			$n_{2 \text{ th}}$		87	94	94								
43.271	908	1.43	M_2					205	159	378	304	285	518	423	
			c				4.3	5.5	2.4	3.0	3.2	1.8	2.2		
			$n_{2 \text{ Eck}}$				45	94	35	69	82	45	94		
			$n_{2 \text{ th}}$				45	94	35	69	81	45	94		
43.271	1250	1.43	M_2												343
			c												3.5
			$n_{2 \text{ Eck}}$												35
			$n_{2 \text{ th}}$												35
50.000	1250	3.53	M_2		124	154	184	220	176	407	331	311	560	462	374
			c		5.4	4.4	3.7	4.9	3.9	3.0	2.6	2.4	2.0	1.5	3.3
			$n_{2 \text{ Eck}}$		75	81	81	39	81	30	60	71	39	81	30
			$n_{2 \text{ th}}$		75	81	81	39	81	30	60	71	39	81	30
54.250	1250	2.89	M_2					241	192	446	362	341	613	505	409
			c				4.8	3.9	2.8	2.6	2.4	1.9	1.5	3.0	
			$n_{2 \text{ Eck}}$				36	75	28	55	65	36	75	28	
			$n_{2 \text{ th}}$				36	75	28	55	65	36	75	28	
61.250	1250	2.70	M_2					271	215	500	405	381	686	565	459
			c				4.3	3.7	2.5	2.5	2.3	1.8	1.4	2.7	
			$n_{2 \text{ Eck}}$				32	66	25	49	58	32	66	25	
			$n_{2 \text{ th}}$				32	66	24	49	58	32	66	24	
70.611	1250	1.81	M_2		177	220	262	316	250	579	471	443	796	656	531
			c		5.0	4.1	3.5	3.8	3.6	2.1	2.4	2.3	1.6	1.4	2.3
			$n_{2 \text{ Eck}}$		53	57	57	28	57	21	43	50	28	57	21
			$n_{2 \text{ th}}$		53	57	57	28	57	21	42	50	28	57	21
79.722	1250	1.70	M_2		199	246	293	354	280	649	527	496	891	734	596
			c		4.8	3.9	3.3	3.4	3.4	1.9	2.2	2.2	1.4	1.3	2.1
			$n_{2 \text{ Eck}}$		47	51	51	25	51	19	38	44	25	51	19
			$n_{2 \text{ th}}$		47	51	51	24	51	19	38	44	24	51	19
86.542	1250	1.34	M_2		217	269	321	387	306	707	577	543	972	803	649
			c		4.8	3.9	3.3	3.2	3.5	1.8	2.1	2.1	1.3	1.4	1.9
			$n_{2 \text{ Eck}}$		43	47	47	23	47	17	35	41	23	47	17
			$n_{2 \text{ th}}$		43	47	47	23	47	17	35	41	23	47	17
97.708	1250	1.26	M_2		244	302	360	435	343	791	646	608	1089	898	727
			c		4.5	3.6	3.1	2.8	3.2	1.6	1.9	1.9	1.2	1.3	1.7
			$n_{2 \text{ Eck}}$		38	42	42	20	42	15	31	36	20	42	15
			$n_{2 \text{ th}}$		38	41	41	20	41	15	31	36	20	41	15
113.667	1250	0.83	M_2	208	286	354	422	508	402	924	756	712		1051	
			c	5.6	4.1	3.4	2.9	2.4	3.0	1.4	1.6	1.7		1.2	
			$n_{2 \text{ Eck}}$	36	33	36	36	17	36	13	26	31		36	
			$n_{2 \text{ th}}$	36	33	36	36	17	36	13	26	31		36	
128.333	1250	0.79	M_2	234	321	397	472	569	451	1030	847	797		1176	
			c	5.1	3.8	3.1	2.6	2.2	2.7	1.2	1.5	1.6		1.1	
			$n_{2 \text{ Eck}}$	32	29	32	32	15	32	12	23	28		32	
			$n_{2 \text{ th}}$	32	29	32	32	15	32	12	23	27		32	

$M \dots$ [Nm]
 $n \dots$ [r/min]
 $J \dots$ [kgcm²]

$P \dots$ [kW]
 $I \dots$ [A]
 $i \dots$ [-]
 $c \dots$ [-]

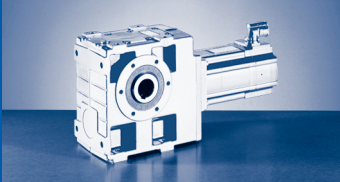


$M_{2GN} \leq 1250 \text{ Nm}$

14DC36	14HC15	14HC32	14LC15	14LC32	14PC14	14PC32	19FC14	19FC30	19JC14	19JC30	19PC14	19PC30	GSS07-2S			
...500	...500	...500	...500	...500	...500	...500	...500	...500	...500	...500	...500	...500	M_1	J_G	M_{2GN}	i
7.50	16.00	14.00	23.00	17.20	30.00	21.00	27.00	21.00	40.00	29.00	51.00	32.00	n_1			
3600	1500	3225	1500	3225	1350	3225	1425	3000	1425	3000	1350	3000	I_{M230}			
													I_{M400}			
7.5	6.6	11.9	9.7	15.0	10.8	15.6	8.6	14.0	12.3	18.5	14.3	19.0	P_N			
2.80	2.50	4.70	3.60	5.80	4.20	7.10	4.00	6.60	6.00	9.10	7.20	10.00	J_M			
8.22	14.32	14.32	23.44	23.44	34.74	34.82	65.12	65.04	105.04	105.12	160.12	160.04	M_2			
245	518	462	751	569	984		884	695					c	5.37	1175	39.200
2.4	2.2	1.4	1.6	1.1	1.2		1.3	1.1					$n_{2\text{ Eck}}$			
92	38	82	38	82	34		36	77					$n_{2\text{ th}}$			
92	38	82	38	82	34		36	56					M_2			
													c	1.43	706	43.271
													$n_{2\text{ Eck}}$			
													$n_{2\text{ th}}$			
													M_2			
													c	1.43	908	43.271
													$n_{2\text{ Eck}}$			
													$n_{2\text{ th}}$			
285	607	540	879	666	1150	816							M_2			
3.3	2.0	1.9	1.4	1.6	1.1	1.3							c	1.43	1250	43.271
83	35	75	35	75	31	75							$n_{2\text{ Eck}}$			
83	35	75	35	75	31	75							$n_{2\text{ th}}$			
312	661	589	956	726									M_2			
2.2	1.9	1.3	1.3	1.1									c	3.53	1250	50.000
72	30	65	30	65									$n_{2\text{ Eck}}$			
72	30	65	30	65									$n_{2\text{ th}}$			
342	722	645	1044	794									M_2			
2.2	1.7	1.3	1.2	1.1									c	2.89	1250	54.250
66	28	60	28	60									$n_{2\text{ Eck}}$			
66	28	59	28	59									$n_{2\text{ th}}$			
382	809	721	1169	888									M_2			
2.1	1.5	1.2	1.1	1.0									c	2.70	1250	61.250
59	25	53	25	53									$n_{2\text{ Eck}}$			
59	24	53	24	53									$n_{2\text{ th}}$			
444	935	837											M_2			
2.1	1.3	1.2											c	1.81	1250	70.611
51	21	46											$n_{2\text{ Eck}}$			
51	21	46											$n_{2\text{ th}}$			
497	1047	936											M_2			
2.0	1.2	1.2											c	1.70	1250	79.722
45	19	41											$n_{2\text{ Eck}}$			
45	19	40											$n_{2\text{ th}}$			
544	1140	1025											M_2			
2.0	1.1	1.1											c	1.34	1250	86.542
42	17	37											$n_{2\text{ Eck}}$			
41	17	37											$n_{2\text{ th}}$			
608		1146											M_2			
1.9		1.0											c	1.26	1250	97.708
37		33											$n_{2\text{ Eck}}$			
37		33											$n_{2\text{ th}}$			
													M_2			
													c	0.83	1250	113.667
													$n_{2\text{ Eck}}$			
													$n_{2\text{ th}}$			
													M_2			
													c	0.79	1250	128.333
													$n_{2\text{ Eck}}$			
													$n_{2\text{ th}}$			

M ... [Nm]
n ... [r/min]
J ... [kgcm²]

P ... [kW]
I ... [A]
i [-]
c [-]



GSS [Nm]

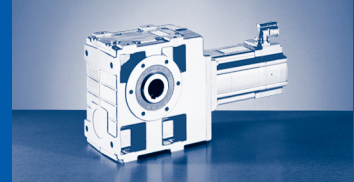
GSS□□-□S (MCS)

$M_{2GN} \leq 1250 \text{ Nm}$

GSS07-2S				09DC41	09FC38	09HC41	09LC41	12DC20	12DC41	12HC15	12HC30	12HC35	12LC20	12LC41	14DC15
				...500	...500	...500	...500	...500	...500	...500	...500	...500	...500	...500	...500
i	M_{2GN}	J_G	M_1	2.30	3.10	3.80	4.50	5.50	4.30	10.00	8.00	7.50	13.50	11.00	9.20
			n_1	4050	3750	4050	4050	1950	4050	1500	3000	3525	1950	4050	1500
			I_{M230}	4.6	5.0	6.8	8.4	5.2	8.8	7.6	10.5		11.8		
			I_{M400}	2.3	2.5	3.4	4.2	2.6	4.5	3.8		5.7	5.9	10.2	4.5
			P_N	1.00	1.20	1.60	1.90	1.10	1.80	1.60	2.50	2.80	2.80	4.70	1.45
			J_M	1.13	1.53	1.93	2.83	4.12	4.12	7.42	7.42	7.42	10.72	10.72	8.22
137.950	1250	0.61	M_2	254	348	429	511	615	488	1116	914	862			
			c	4.7	3.5	2.8	2.4	2.0	2.5	1.1	1.4	1.4			
			$n_{2 \text{ Eck}}$	29	27	29	29	14	29	11	22	26			
			$n_{2 \text{ th}}$	29	27	29	29	14	29	11	22	26			
155.750	1250	0.58	M_2	286	390	482	573	687	547	1241	1024	965			
			c	4.2	3.1	2.5	2.1	1.8	2.2	1.0	1.2	1.3			
			$n_{2 \text{ Eck}}$	26	24	26	26	13	26	10	19	23			
			$n_{2 \text{ th}}$	26	24	26	26	13	26	10	19	23			
174.375	1250	0.39	M_2	322	439	542	644								
			c	3.7	2.8	2.3	1.9								
			$n_{2 \text{ Eck}}$	23	22	23	23								
			$n_{2 \text{ th}}$	23	22	23	23								
196.875	1250	0.37	M_2	362	493	607	722								
			c	3.3	2.5	2.0	1.7								
			$n_{2 \text{ Eck}}$	21	19	21	21								
			$n_{2 \text{ th}}$	21	19	21	21								

M ... [Nm]
 n ... [r/min]
 J ... [kgcm²]

P ... [kW]
 I ... [A]
 i [-]
 c [-]

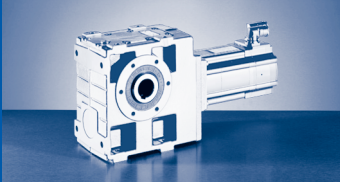


$M_{2GN} \leq 1250 \text{ Nm}$

14DC36	14HC15	14HC32	14LC15	14LC32	14PC14	14PC32	19FC14	19FC30	19JC14	19JC30	19PC14	19PC30	GSS07-2S			
...S00	...S00	...S00	...S00	...S00	...S00	...S00	...S00	...S00	...S00	...S00	...S00	...S00	M_1	J_G	M_{2GN}	i
7.50	16.00	14.00	23.00	17.20	30.00	21.00	27.00	21.00	40.00	29.00	51.00	32.00	n_1			
3600	1500	3225	1500	3225	1350	3225	1425	3000	1425	3000	1350	3000	I_{M230}			
7.5	6.6	11.9	9.7	15.0	10.8	15.6	8.6	14.0	12.3	18.5	14.3	19.0	I_{M400}			
2.80	2.50	4.70	3.60	5.80	4.20	7.10	4.00	6.60	6.00	9.10	7.20	10.00	P_N			
8.22	14.32	14.32	23.44	23.44	34.74	34.82	65.12	65.04	105.04	105.12	160.12	160.04	J_M			
													M_2 c n_2 Eck n_2 th	0.61	1250	137.950
													M_2 c n_2 Eck n_2 th	0.58	1250	155.750
													M_2 c n_2 Eck n_2 th	0.39	1250	174.375
													M_2 c n_2 Eck n_2 th	0.37	1250	196.875

M ... [Nm]
n ... [r/min]
J ... [kgcm²]

P ... [kW]
I ... [A]
i [-]
c [-]



GSS [Nm]

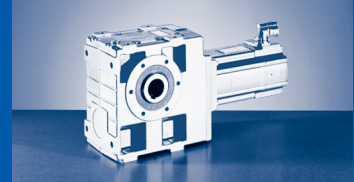
GSS□□-□S (MCS)

$M_{2GN} \leq 1250 \text{ Nm}$

GSS07-3S				06CC41	06FC41	06IC41	09DC41	09FC38	09HC41	09LC41	12DC20	12DC41	12HC15	12HC30	12HC35	
				...500	...500	...500	...500	...500	...500	...500	...500	...500	...500	...500	...500	...500
i	M_{2GN}	J_G	M_1	0.60	1.20	1.50	2.30	3.10	3.80	4.50	5.50	4.30	10.00	8.00	7.50	
			n_1	4050	4050	4050	4050	3750	4050	4050	1950	4050	1500	3000	3525	
			I_{M230}	2.6	2.9	3.2	4.6	5.0	6.8	8.4	5.2	8.8	7.6	10.5		
			I_{M400}	1.3	1.5	1.6	2.3	2.5	3.4	4.2	2.6	4.5	3.8		5.7	
			P_N	0.25	0.51	0.64	1.00	1.20	1.60	1.90	1.10	1.80	1.60	2.50	2.80	
			J_M	0.17	0.25	0.33	1.13	1.53	1.93	2.83	4.12	4.12	7.42	7.42	7.42	
126.531	1250	0.86	M_2			145	227	309	381	453	539	432	979	802	761	
			c			5.1	3.3	2.5	2.0	1.7	2.3	1.8	1.3	1.6	1.0	
			$n_{2 \text{ Eck}}$			32	32	30	32	32	32	15	32	12	24	28
			$n_{2 \text{ th}}$			32	32	30	32	32	32	15	32	12	24	28
142.857	1250	0.82	M_2			162	254	346	426	507	603	484	1090	899		
			c			4.9	3.2	2.4	1.9	1.6	2.1	1.7	1.2	1.4		
			$n_{2 \text{ Eck}}$			28	28	26	28	28	14	28	11	21		
			$n_{2 \text{ th}}$			28	28	26	28	28	14	28	11	21		
155.000	1250	0.74	M_2			176	276	376	464	552	658	527	1195	978		
			c			4.9	3.2	2.4	1.9	1.6	1.9	1.7	1.1	1.3		
			$n_{2 \text{ Eck}}$			26	26	24	26	26	13	26	10	19		
			$n_{2 \text{ th}}$			26	26	24	26	26	13	26	10	19		
175.000	1250	0.72	M_2		156	198	310	422	520	618	734	590		1095		
			c		5.8	4.6	3.0	2.2	1.8	1.5	1.7	1.6		1.1		
			$n_{2 \text{ Eck}}$		23	23	23	21	23	23	11	23		17		
			$n_{2 \text{ th}}$		23	23	23	21	23	23	11	23		17		
201.746	1250	0.37	M_2		181	229	358	487	600	712						
			c		5.3	4.2	2.8	2.1	1.7	1.4						
			$n_{2 \text{ Eck}}$		20	20	20	19	20	20						
			$n_{2 \text{ th}}$		20	20	20	19	20	20						
227.778	1250	0.36	M_2		203	257	401	545	671	797						
			c		5.0	4.0	2.6	2.0	1.6	1.3						
			$n_{2 \text{ Eck}}$		18	18	18	17	18	18						
			$n_{2 \text{ th}}$		18	18	18	16	18	18						
247.139	1250	0.33	M_2		222	280	437	594	731	868						
			c		4.6	3.7	2.4	1.8	1.5	1.2						
			$n_{2 \text{ Eck}}$		16	16	16	15	16	16						
			$n_{2 \text{ th}}$		16	16	16	15	16	16						
279.028	1250	0.32	M_2		248	313	488	662	815	968						
			c		4.4	3.5	2.3	1.7	1.4	1.2						
			$n_{2 \text{ Eck}}$		15	15	15	13	15	15						
			$n_{2 \text{ th}}$		15	15	15	13	15	15						
321.673	1250	0.28	M_2		291	367	569	771	947							
			c		3.2	2.6	1.7	1.2	1.0							
			$n_{2 \text{ Eck}}$		13	13	13	12	13							
			$n_{2 \text{ th}}$		13	13	13	12	13							
363.179	1250	0.28	M_2		323	407	631	855	1051							
			c		3.2	2.6	1.7	1.2	1.0							
			$n_{2 \text{ Eck}}$		11	11	11	10	11							
			$n_{2 \text{ th}}$		11	11	11	10	11							
394.245	1250	0.26	M_2	171	355	447	693	939								
			c	5.7	2.9	2.3	1.5	1.1								
			$n_{2 \text{ Eck}}$	10	10	10	10	10								
			$n_{2 \text{ th}}$	10	10	10	10	10								
445.116	1250	0.26	M_2	189	393	495	767	1038								
			c	5.7	2.9	2.3	1.5	1.1								
			$n_{2 \text{ Eck}}$	9	9	9	9	8								
			$n_{2 \text{ th}}$	9	9	9	9	8								
490.403	1250	0.18	M_2	211	436	548	848									
			c	5.0	2.5	2.0	1.3									
			$n_{2 \text{ Eck}}$	8	8	8	8									
			$n_{2 \text{ th}}$	8	8	8	8									

$M \dots$ [Nm]
 $n \dots$ [r/min]
 $J \dots$ [kgcm²]

$P \dots$ [kW]
 $I \dots$ [A]
 $i \dots$ [-]
 $c \dots$ [-]

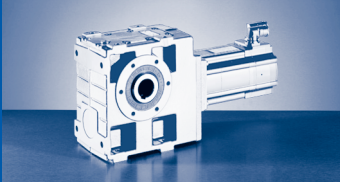


$M_{2GN} \leq 1250 \text{ Nm}$

GSS07-3S				06CC41	06FC41	06IC41	09DC41	09FC38	09HC41	09LC41	12DC20	12DC41	12HC15	12HC30	12HC35			
				...500	...500	...500	...500	...500	...500	...500	...500	...500	...500	...500	...500			
i	M_{2GN}	J_G	M_1	0.60	1.20	1.50	2.30	3.10	3.80	4.50	5.50	4.30	10.00	8.00	7.50			
			n_1	4050	4050	4050	4050	3750	4050	4050	1950	4050	1500	3000	3525			
			I_{M230}	2.6	2.9	3.2	4.6	5.0	6.8	8.4	5.2	8.8	7.6	10.5				
			I_{M400}	1.3	1.5	1.6	2.3	2.5	3.4	4.2	2.6	4.5	3.8		5.7			
			P_N	0.25	0.51	0.64	1.00	1.20	1.60	1.90	1.10	1.80	1.60	2.50	2.80			
			J_M	0.17	0.25	0.33	1.13	1.53	1.93	2.83	4.12	4.12	7.42	7.42	7.42			
553.681	1250	0.18	M_2	235	485	610	943											
			c	4.8	2.4	1.9	1.3											
			$n_{2 \text{ Eck}}$	7	7	7	7											
			$n_{2 \text{ th}}$	7	7	7	7											
634.639	1250	0.11	M_2	272	559	703												
			c	4.2	2.1	1.7												
			$n_{2 \text{ Eck}}$	6	6	6												
			$n_{2 \text{ th}}$	6	6	6												
716.528	1250	0.11	M_2	303	622	782												
			c	3.7	1.9	1.5												
			$n_{2 \text{ Eck}}$	6	6	6												
			$n_{2 \text{ th}}$	6	6	6												
833.556	1250	0.11	M_2	357	728	914												
			c	3.0	1.5	1.2												
			$n_{2 \text{ Eck}}$	5	5	5												
			$n_{2 \text{ th}}$	5	5	5												
941.111	1250	0.11	M_2	396	807	1013												
			c	2.9	1.4	1.2												
			$n_{2 \text{ Eck}}$	4	4	4												
			$n_{2 \text{ th}}$	4	4	4												
1011.633	1250	0.08	M_2	428	872	1093												
			c	2.6	1.3	1.1												
			$n_{2 \text{ Eck}}$	4	4	4												
			$n_{2 \text{ th}}$	4	4	4												
1142.167	1250	0.08	M_2	475	966													
			c	2.4	1.2													
			$n_{2 \text{ Eck}}$	4	4													
			$n_{2 \text{ th}}$	4	4													
1227.755	1250	0.07	M_2	513	1042													
			c	2.2	1.1													
			$n_{2 \text{ Eck}}$	3	3													
			$n_{2 \text{ th}}$	3	3													
1386.175	1250	0.07	M_2	569	1154													
			c	2.0	1.0													
			$n_{2 \text{ Eck}}$	3	3													
			$n_{2 \text{ th}}$	3	3													

$M \dots$ [Nm]
 $n \dots$ [r/min]
 $J \dots$ [kgcm²]

$P \dots$ [kW]
 $I \dots$ [A]
 $i \dots$ [-]
 $c \dots$ [-]



GSS [Nm]

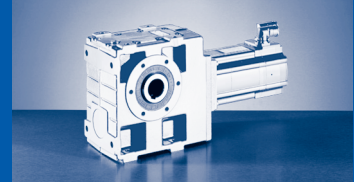
GSS□□-□A (MCA)

$M_{2GN} \leq 180 \text{ Nm}$

GSS04-2A				10IC40	13IC34	13IC41
				...500	...F10	...500
i	M_{2GN}	J_G	M_1			
			n_1	3950	3410	4050
			I_{M400}	2.4	6.0	4.4
			P_N	0.80	2.20	1.70
			J_M	2.44	8.34	8.34
5.639	108	1.12	M_2	10		
			c	4.4		
			$n_{2 \text{ Eck}}$	701		
			$n_{2 \text{ th}}$	700		
5.639	149	1.12	M_2		31	20
			c		1.7	2.2
			$n_{2 \text{ Eck}}$		605	718
			$n_{2 \text{ th}}$		605	718
7.733	149	0.65	M_2	13		
			c	5.4		
			$n_{2 \text{ Eck}}$	511		
			$n_{2 \text{ th}}$	511		
7.733	158	0.65	M_2		43	27
			c		2.0	2.7
			$n_{2 \text{ Eck}}$		441	524
			$n_{2 \text{ th}}$		441	524
9.042	154	0.81	M_2		50	31
			c		2.1	3.1
			$n_{2 \text{ Eck}}$		377	448
			$n_{2 \text{ th}}$		377	448
9.897	161	0.43	M_2	17	55	35
			c	5.7	2.1	2.9
			$n_{2 \text{ Eck}}$	399	345	409
			$n_{2 \text{ th}}$	399	345	409
10.827	161	0.37	M_2	18	61	38
			c	5.7	2.1	2.9
			$n_{2 \text{ Eck}}$	365	315	374
			$n_{2 \text{ th}}$	365	315	374
12.400	170	0.49	M_2	21	69	43
			c	5.5	1.8	2.7
			$n_{2 \text{ Eck}}$	319	275	327
			$n_{2 \text{ th}}$	319	275	327
13.810	163	0.25	M_2	24	78	49
			c	5.8	1.9	2.9
			$n_{2 \text{ Eck}}$	286	247	293
			$n_{2 \text{ th}}$	286	247	293
15.869	180	0.33	M_2	27	88	55
			c	4.7	1.6	2.3
			$n_{2 \text{ Eck}}$	249	215	255
			$n_{2 \text{ th}}$	249	215	255
17.360	180	0.28	M_2	30	96	61
			c	4.4	1.5	2.2
			$n_{2 \text{ Eck}}$	228	196	233
			$n_{2 \text{ th}}$	228	196	233
20.417	153	0.67	M_2	32	103	65
			c	3.2	1.1	1.6
			$n_{2 \text{ Eck}}$	194	167	198
			$n_{2 \text{ th}}$	193	167	198
22.143	180	0.20	M_2	38	123	78
			c	3.8	1.2	1.9
			$n_{2 \text{ Eck}}$	178	154	183
			$n_{2 \text{ th}}$	178	154	183

$M \dots$ [Nm]
 $n \dots$ [r/min]
 $J \dots$ [kgcm²]

$P \dots$ [kW]
 $I \dots$ [A]
 i [-]
 c [-]

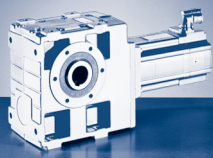


$M_{2GN} \leq 180 \text{ Nm}$

GSS04-2A				10IC40	13IC34	13IC41
				...500	...F10	...500
i	M_{2GN}	J_G	M_1			
			n_1	3950	3410	4050
			I_{M400}	2.4	6.0	4.4
			P_N	0.80	2.20	1.70
			J_M	2.44	8.34	8.34
24.800	171	0.42	M_2	40		81
			c	2.9		1.5
			$n_{2 \text{ Eck}}$	159		163
			$n_{2 \text{ th}}$	159		163
			M_2	47	150	95
27.125	180	0.14	c	3.3	1.1	1.6
			$n_{2 \text{ Eck}}$	146	126	149
			$n_{2 \text{ th}}$	146	126	149
			M_2	51		104
			c	2.5		1.3
31.738	180	0.29	$n_{2 \text{ Eck}}$	125		128
			$n_{2 \text{ th}}$	124		128
			M_2	59		
			c	2.8		
			$n_{2 \text{ Eck}}$	116		
34.100	180	0.10	$n_{2 \text{ th}}$	116		
			M_2	62		126
			c	2.1		1.1
			$n_{2 \text{ Eck}}$	101		103
			$n_{2 \text{ th}}$	101		103
43.917	180	0.06	M_2	76		
			c	2.3		
			$n_{2 \text{ Eck}}$	90		
			$n_{2 \text{ th}}$	90		
			M_2	79		
50.000	180	0.17	c	1.8		
			$n_{2 \text{ Eck}}$	79		
			$n_{2 \text{ th}}$	79		
			M_2	87		
			c	1.8		
54.250	180	0.13	$n_{2 \text{ Eck}}$	73		
			$n_{2 \text{ th}}$	73		
			M_2	96		
			c	1.6		
			$n_{2 \text{ Eck}}$	65		
61.250	180	0.13	$n_{2 \text{ th}}$	64		
			M_2	109		
			c	1.5		
			$n_{2 \text{ Eck}}$	58		
			$n_{2 \text{ th}}$	58		
68.200	180	0.09	M_2	120		
			c	1.4		
			$n_{2 \text{ Eck}}$	51		
			$n_{2 \text{ th}}$	51		
			M_2	140		
77.000	180	0.09	c	1.3		
			$n_{2 \text{ Eck}}$	45		
			$n_{2 \text{ th}}$	45		
			M_2	154		
			c	1.2		
87.833	180	0.06	$n_{2 \text{ Eck}}$	40		
			$n_{2 \text{ th}}$	40		
			M_2	154		
			c	1.2		
			$n_{2 \text{ Eck}}$	40		
99.167	180	0.06	$n_{2 \text{ th}}$	40		

M ... [Nm]
n ... [r/min]
J ... [kgcm²]

P ... [kW]
I ... [A]
i [-]
c [-]



GSS [Nm]

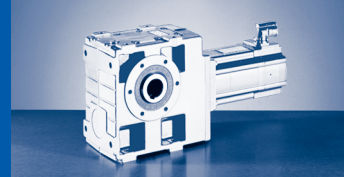
GSS□□-□A (MCA)

$M_{2GN} \leq 360 \text{ Nm}$

GSS05-2A				10IC40	13IC34	13IC41	14LC16	14LC20	14LC35	14LC41
				...500	...F10	...500	...F10	...500	...F10	...500
i	M_{2GN}	J_G	M_1	2.00	6.30	4.00	12.00	6.70	10.80	5.40
			n_1	3950	3410	4050	1635	2000	3455	4100
			I_{M400}	2.4	6.0	4.4	4.8	3.3	9.1	5.8
			P_N	0.80	2.20	1.70	2.10	1.40	3.90	2.30
			J_M	2.44	8.34	8.34	19.32	19.24	19.24	19.24
5.639	219	2.82	M_2		31	19				
			c		3.8	5.4				
			$n_{2 \text{ Eck}}$		605	718				
			$n_{2 \text{ th}}$		605	718				
5.639	223	2.82	M_2				60	33	54	26
			c				3.2	5.1	2.2	4.0
			$n_{2 \text{ Eck}}$				290	355	613	727
			$n_{2 \text{ th}}$				290	355	613	637
7.733	267	1.66	M_2		43	27	83	45	75	37
			c		3.4	4.9	2.9	4.7	2.0	3.6
			$n_{2 \text{ Eck}}$		441	524	211	259	447	530
			$n_{2 \text{ th}}$		441	524	211	259	447	464
9.042	251	2.01	M_2		48	30	94	52	84	41
			c		2.6	3.3	2.5	4.2	1.5	2.5
			$n_{2 \text{ Eck}}$		377	448	181	221	382	454
			$n_{2 \text{ th}}$		377	448	181	221	382	397
9.897	271	1.10	M_2		55	35	107	58	96	47
			c		3.2	4.6	2.5	4.3	1.8	3.4
			$n_{2 \text{ Eck}}$		345	409	165	202	349	414
			$n_{2 \text{ th}}$		345	409	165	202	349	363
10.827	272	0.94	M_2		61	38	117	64	105	52
			c		3.1	4.4	2.3	4.0	1.8	3.3
			$n_{2 \text{ Eck}}$		315	374	151	185	319	379
			$n_{2 \text{ th}}$		315	374	151	185	319	332
12.400	279	1.24	M_2		67	42	130	72	117	57
			c		2.7	3.8	2.0	3.4	1.6	2.8
			$n_{2 \text{ Eck}}$		275	327	132	161	279	331
			$n_{2 \text{ th}}$		275	327	132	161	279	290
13.810	275	0.64	M_2		78	49	151	83	135	66
			c		2.9	4.1	1.8	3.2	1.7	3.1
			$n_{2 \text{ Eck}}$		247	293	118	145	250	297
			$n_{2 \text{ th}}$		247	293	118	145	250	260
15.869	301	0.84	M_2		87	54	168	92	150	74
			c		2.5	3.8	1.7	2.9	1.5	2.8
			$n_{2 \text{ Eck}}$		215	255	103	126	218	258
			$n_{2 \text{ th}}$		215	255	103	126	218	226
17.360	311	0.72	M_2		95	60	184	101	165	81
			c		2.4	3.6	1.6	2.7	1.4	2.7
			$n_{2 \text{ Eck}}$		196	233	94	115	199	236
			$n_{2 \text{ th}}$		196	233	94	115	199	207
20.417	253	1.60	M_2		99	62	196	108		85
			c		1.4	2.1	1.2	2.0		1.5
			$n_{2 \text{ Eck}}$		167	198	80	98		201
			$n_{2 \text{ th}}$		167	198	80	98		176
22.143	337	0.50	M_2		122	77	235	130	211	104
			c		2.0	3.1	1.3	2.3	1.2	2.3
			$n_{2 \text{ Eck}}$		154	183	74	90	156	185
			$n_{2 \text{ th}}$		154	183	74	90	156	162
24.800	280	1.06	M_2		125	79	245	135		107
			c		1.6	2.2	1.1	1.8		1.6
			$n_{2 \text{ Eck}}$		138	163	66	81		165
			$n_{2 \text{ th}}$		138	163	66	81		145

$M \dots$ [Nm]
 $n \dots$ [r/min]
 $J \dots$ [kgcm²]

$P \dots$ [kW]
 $I \dots$ [A]
 $i \dots$ [-]
 $c \dots$ [-]

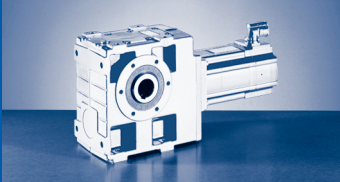


$M_{2GN} \leq 360 \text{ Nm}$

GSS05-2A				10IC40	13IC34	13IC41	14LC16	14LC20	14LC35	14LC41
				...500	...F10	...500	...F10	...500	...F10	...500
i	M_{2GN}	J_G	M_1							
			n_1	2.00	6.30	4.00	12.00	6.70	10.80	5.40
			I_{M400}	3950	3410	4050	1635	2000	3455	4100
			P_N	2.4	6.0	4.4	4.8	3.3	9.1	5.8
			J_M	0.80	2.20	1.70	2.10	1.40	3.90	2.30
			M_2	2.44	8.34	8.34	19.32	19.24	19.24	19.24
			c	46	150	94	288	160	260	128
			$n_{2 \text{ Eck}}$	5.3	1.8	2.7	1.2	2.0	1.0	2.0
			$n_{2 \text{ th}}$	146	126	149	60	74	127	151
			M_2	146	126	149	60	74	127	132
			c	50	162	102		174		139
			$n_{2 \text{ Eck}}$	4.1	1.3	2.0		1.5		1.5
			$n_{2 \text{ th}}$	125	107	128		63		129
			M_2	124	107	128		63		113
			c	60	196	124				
			$n_{2 \text{ Eck}}$	4.5	1.5	2.2				
			$n_{2 \text{ th}}$	112	97	115				
			M_2	112	97	115				
			c	61	198	125		211		169
			$n_{2 \text{ Eck}}$	3.5	1.2	1.8		1.3		1.3
			$n_{2 \text{ th}}$	101	87	103		51		105
			M_2	101	87	103		51		92
			c	76	245	154				
			$n_{2 \text{ Eck}}$	3.9	1.3	1.9				
			$n_{2 \text{ th}}$	90	78	92				
			M_2	90	78	92				
			c	79		160		271		217
			$n_{2 \text{ Eck}}$	3.0		1.5		1.2		1.1
			$n_{2 \text{ th}}$	79		81		40		82
			M_2	79		81		40		72
			c	87		178		299		241
			$n_{2 \text{ Eck}}$	2.9		1.4		1.1		1.1
			$n_{2 \text{ th}}$	73		75		37		76
			M_2	73		75		37		66
			c	97		197		332		
			$n_{2 \text{ Eck}}$	2.6		1.3		1.0		
			$n_{2 \text{ th}}$	65		66		33		
			M_2	64		66		33		
			c	114		232				
			$n_{2 \text{ Eck}}$	2.4		1.2				
			$n_{2 \text{ th}}$	56		57				
			M_2	56		57				
			c	127		258				
			$n_{2 \text{ Eck}}$	2.2		1.1				
			$n_{2 \text{ th}}$	50		51				
			M_2	50		51				
			c	143		289				
			$n_{2 \text{ Eck}}$	2.1		1.1				
			$n_{2 \text{ th}}$	45		46				
			M_2	45		46				
			c	159						
			$n_{2 \text{ Eck}}$	2.0						
			$n_{2 \text{ th}}$	40						
			M_2	40						
			c	186						
			$n_{2 \text{ Eck}}$	1.8						
			$n_{2 \text{ th}}$	35						

M ... [Nm]
n ... [r/min]
J ... [kgcm²]

P ... [kW]
I ... [A]
i [-]
c [-]



GSS [Nm]

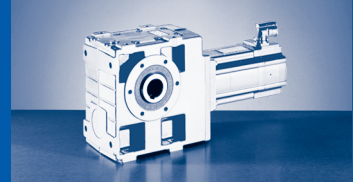
GSS□□-□A (MCA)

$M_{2GN} \leq 360 \text{ Nm}$

GSS05-2A				10IC40	13IC34	13IC41	14LC16	14LC20	14LC35	14LC41
				...S00	...F10	...S00	...F10	...S00	...F10	...S00
i	M_{2GN}	J_G	M_1							
			n_1	2.00	6.30	4.00	12.00	6.70	10.80	5.40
			I_{M400}	3950	3410	4050	1635	2000	3455	4100
			P_N	2.4	6.0	4.4	4.8	3.3	9.1	5.8
			J_M	0.80	2.20	1.70	2.10	1.40	3.90	2.30
			M_2	2.44	8.34	8.34	19.32	19.24	19.24	19.24
			c	206						
128.333	360	0.09	$n_{2 \text{ Eck}}$	1.7						
			$n_{2 \text{ th}}$	31						
			M_2	226						
			c	1.6						
137.950	360	0.07	$n_{2 \text{ Eck}}$	29						
			$n_{2 \text{ th}}$	29						
			M_2	251						
			c	1.4						
155.750	360	0.07	$n_{2 \text{ Eck}}$	25						
			$n_{2 \text{ th}}$	25						

M ... [Nm]
 n ... [r/min]
 J ... [kgcm²]

P ... [kW]
 I ... [A]
 i [-]
 c [-]

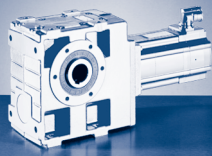


$M_{2GN} \leq 360 \text{ Nm}$

GSS05-3A				10IC40
				...500
i	M_{2GN}	J_G	M_1	2.00
			n_1	3950
			I_{M400}	2.4
			P_N	0.80
			J_M	2.44
125.476	339	0.15	M_2	218
			c	1.2
			$n_{2 \text{ Eck}}$	32
			$n_{2 \text{ th}}$	31
			M_2	265
153.708	356	0.12	c	1.0
			$n_{2 \text{ Eck}}$	26
			$n_{2 \text{ th}}$	26
			M_2	353
			c	1.0
222.133	360	0.21	$n_{2 \text{ Eck}}$	18
			$n_{2 \text{ th}}$	18

M ... [Nm]
n ... [r/min]
J ... [kgcm²]

P ... [kW]
I ... [A]
i [-]
c [-]



GSS [Nm]

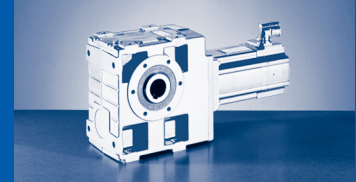
GSS□□-□A (MCA)

$M_{2GN} \leq 720 \text{ Nm}$

GSS06-2A				10IC40	13IC34	13IC41	14LC16	14LC20	14LC35	14LC41	17NC17	17NC23	17NC35	17NC41
				...S00	...F10	...S00	...F10	...S00	...F10	...S00	...F10	...S00	...F10	...S00
i	M_{2GN}	J_G	M_1	2.00	6.30	4.00	12.00	6.70	10.80	5.40	21.50	10.80	19.00	9.50
			n_1	3950	3410	4050	1635	2000	3455	4100	1680	2300	3480	4110
			I_{M400}	2.4	6.0	4.4	4.8	3.3	9.1	5.8	8.5	5.5	15.8	10.2
			P_N	0.80	2.20	1.70	2.10	1.40	3.90	2.30	3.80	2.60	6.90	4.10
			J_M	2.44	8.34	8.34	19.32	19.24	19.24	19.24	36.04	36.04	36.04	36.04
5.833	356	6.97	M_2				61		56	27	113	56	100	49
			c			4.9		2.6	4.3	2.7	3.9	1.5	2.4	
			$n_{2 \text{ Eck}}$			280		592	703	288	394	597	705	
			$n_{2 \text{ th}}$			280		592	615	288	394	533	533	
8.000	489	4.22	M_2				85		77	38	155	77	137	68
			c			4.4		2.8	4.9	2.4	3.8	1.6	2.8	
			$n_{2 \text{ Eck}}$			204		432	513	210	288	435	514	
			$n_{2 \text{ th}}$			204		432	449	210	288	389	389	
9.042	417	5.54	M_2				95		86	42	173	86	153	76
			c			3.8		2.6	4.7	2.1	3.2	1.5	2.7	
			$n_{2 \text{ Eck}}$			181		382	454	186	254	385	455	
			$n_{2 \text{ th}}$			181		382	397	186	254	344	344	
10.238	397	2.81	M_2		57									
			c		4.8									
			$n_{2 \text{ Eck}}$		333									
			$n_{2 \text{ th}}$		333									
10.238	522	2.81	M_2				109		99	48	199	99	177	87
			c			4.5		2.8	5.0	2.5	3.5	1.6	2.9	
			$n_{2 \text{ Eck}}$			160		338	401	164	225	340	401	
			$n_{2 \text{ th}}$			160		337	351	164	225	304	304	
11.200	440	2.39	M_2		62									
			c		4.7									
			$n_{2 \text{ Eck}}$		305									
			$n_{2 \text{ th}}$		304									
11.200	524	2.39	M_2				119		109	53	218	108	193	95
			c			4.2		2.8	5.0	2.4	3.4	1.6	2.8	
			$n_{2 \text{ Eck}}$			146		309	366	150	205	311	367	
			$n_{2 \text{ th}}$			146		308	321	150	205	278	278	
12.400	523	3.46	M_2				130	71	119	58	237	118	211	104
			c			3.4	5.5	2.3	4.3	1.9	2.9	1.3	2.4	
			$n_{2 \text{ Eck}}$			132	161	279	331	136	186	281	332	
			$n_{2 \text{ th}}$			132	161	279	290	135	185	251	251	
14.286	513	1.63	M_2		80									
			c		4.4									
			$n_{2 \text{ Eck}}$		239									
			$n_{2 \text{ th}}$		239									
14.286	528	1.63	M_2				154	83	139	68	281	138	248	122
			c			3.3	6.0	2.6	4.7	1.9	3.5	1.5	2.7	
			$n_{2 \text{ Eck}}$			115	140	242	287	118	161	244	288	
			$n_{2 \text{ th}}$			114	140	242	251	118	161	218	218	
15.869	597	2.35	M_2		87	54								
			c		3.7	5.4								
			$n_{2 \text{ Eck}}$		215	255								
			$n_{2 \text{ th}}$		215	255								
15.869	605	2.35	M_2				166	91	152	75	303	151	270	134
			c			3.2	5.2	2.2	4.0	1.8	2.7	1.2	2.3	
			$n_{2 \text{ Eck}}$			103	126	218	258	106	145	219	259	
			$n_{2 \text{ th}}$			103	126	218	226	106	145	196	196	
17.360	624	2.01	M_2		95	60	182	100	166	82	331	165	296	146
			c		3.6	5.2	3.1	5.0	2.1	3.9	1.8	2.7	1.2	2.2
			$n_{2 \text{ Eck}}$		196	233	94	115	199	236	97	133	201	237
			$n_{2 \text{ th}}$		196	233	94	115	199	207	97	132	179	179

$M \dots$ [Nm]
 $n \dots$ [r/min]
 $J \dots$ [kgcm²]

$P \dots$ [kW]
 $I \dots$ [A]
 i [-]
 c [-]

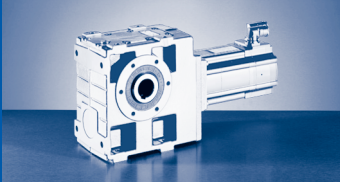


$M_{2GN} \leq 720 \text{ Nm}$

GSS06-2A				10IC40	13IC34	13IC41	14LC16	14LC20	14LC35	14LC41	17NC17	17NC23	17NC35	17NC41
				...S00	...F10	...S00	...F10	...S00	...F10	...S00	...F10	...S00	...F10	...S00
i	M_{2GN}	J_G	M_1	2.00	6.30	4.00	12.00	6.70	10.80	5.40	21.50	10.80	19.00	9.50
			n_1	3950	3410	4050	1635	2000	3455	4100	1680	2300	3480	4110
			I_{M400}	2.4	6.0	4.4	4.8	3.3	9.1	5.8	8.5	5.5	15.8	10.2
			P_N	0.80	2.20	1.70	2.10	1.40	3.90	2.30	3.80	2.60	6.90	4.10
			J_M	2.44	8.34	8.34	19.32	19.24	19.24	19.24	36.04	36.04	36.04	36.04
20.417	488	4.17	M_2				201	111	182	89	364	182		160
			c				2.1	3.4	1.4	2.6	1.2	1.8		1.5
			$n_{2 \text{ Eck}}$				80	98	169	201	82	113		201
			$n_{2 \text{ th}}$				80	98	169	176	82	113		152
22.143	673	1.39	M_2		122	76	232	127	212	104	422	211	377	187
			c		3.4	4.9	2.7	4.6	2.0	3.6	1.5	2.5	1.1	2.1
			$n_{2 \text{ Eck}}$		154	183	74	90	156	185	76	104	157	186
			$n_{2 \text{ th}}$		154	183	74	90	156	162	76	104	141	141
24.800	561	3.06	M_2				246	136	225	111	445	223		197
			c				2.0	3.3	1.4	2.5	1.1	1.7		1.4
			$n_{2 \text{ Eck}}$				66	81	139	165	68	93		166
			$n_{2 \text{ th}}$				66	81	139	145	68	93		125
27.125	718	1.04	M_2		149	93	285	156	260	128	516	258	462	229
			c		3.2	4.6	2.3	4.0	1.9	3.4	1.3	2.3	1.1	1.9
			$n_{2 \text{ Eck}}$		126	149	60	74	127	151	62	85	128	152
			$n_{2 \text{ th}}$		126	149	60	74	127	132	62	85	115	115
31.738	609	2.10	M_2		166	104	314	173	287	142	568	285		253
			c		2.2	3.1	1.8	3.0	1.3	2.3	1.0	1.6		1.3
			$n_{2 \text{ Eck}}$		107	128	52	63	109	129	53	73		130
			$n_{2 \text{ th}}$		107	128	52	63	109	113	53	72		98
35.306	720	0.66	M_2		195	122	371	204	338	166				
			c		2.9	4.3	1.9	3.3	1.7	3.2				
			$n_{2 \text{ Eck}}$		97	115	46	57	98	116				
			$n_{2 \text{ th}}$		97	115	46	57	98	102				
39.200	637	1.64	M_2		203	127	385	213	351	174		349		309
			c		2.0	2.9	1.6	2.6	1.2	2.2		1.5		1.2
			$n_{2 \text{ Eck}}$		87	103	42	51	88	105		59		105
			$n_{2 \text{ th}}$		87	103	42	51	88	92		59		79
43.917	720	0.48	M_2		242	152	460	255	420	207				
			c		2.6	3.8	1.6	2.8	1.5	2.9				
			$n_{2 \text{ Eck}}$		78	92	37	46	79	93				
			$n_{2 \text{ th}}$		78	92	37	46	79	82				
50.000	693	1.16	M_2	79	258	162	488	271	447	221		444		393
			c	5.5	1.9	2.7	1.3	2.2	1.1	2.0		1.3		1.2
			$n_{2 \text{ Eck}}$	79	68	81	33	40	69	82		46		82
			$n_{2 \text{ th}}$	79	68	81	33	40	69	72		46		62
54.250	720	0.96	M_2		282	177	534	296	488	242		484		429
			c		1.9	2.7	1.3	2.2	1.1	2.0		1.2		1.1
			$n_{2 \text{ Eck}}$		63	75	30	37	64	76		42		76
			$n_{2 \text{ th}}$		63	75	30	37	64	66		42		57
61.250	720	0.89	M_2		316	199	596	331	547	270		542		480
			c		1.7	2.6	1.2	2.0	1.0	1.9		1.1		1.1
			$n_{2 \text{ Eck}}$		56	66	27	33	56	67		38		67
			$n_{2 \text{ th}}$		56	66	27	33	56	59		38		51
70.611	720	0.61	M_2	112	366	230	690	384		313				
			c	4.8	1.6	2.4	1.0	1.8		1.8				
			$n_{2 \text{ Eck}}$	56	48	57	23	28		58				
			$n_{2 \text{ th}}$	56	48	57	23	28		51				
79.722	720	0.57	M_2	126	410	258		429		351				
			c	4.4	1.5	2.2		1.7		1.6				
			$n_{2 \text{ Eck}}$	50	43	51		25		51				
			$n_{2 \text{ th}}$	50	43	51		25		45				

$M \dots$ [Nm]
 $n \dots$ [r/min]
 $J \dots$ [kgcm²]

$P \dots$ [kW]
 $I \dots$ [A]
 $i [-]$
 $c [-]$



GSS [Nm]

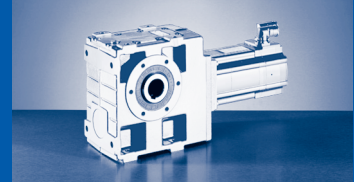
GSS□□-□A (MCA)

$M_{2GN} \leq 720 \text{ Nm}$

GSS06-2A				10IC40	13IC34	13IC41	14LC16	14LC20	14LC35	14LC41	17NC17	17NC23	17NC35	17NC41
				...S00	...F10	...S00	...F10	...S00	...F10	...S00	...F10	...S00	...F10	...S00
i	M_{2GN}	J_G	M_1	2.00	6.30	4.00	12.00	6.70	10.80	5.40	21.50	10.80	19.00	9.50
			n_1	3950	3410	4050	1635	2000	3455	4100	1680	2300	3480	4110
			I_{M400}	2.4	6.0	4.4	4.8	3.3	9.1	5.8	8.5	5.5	15.8	10.2
			P_N	0.80	2.20	1.70	2.10	1.40	3.90	2.30	3.80	2.60	6.90	4.10
			J_M	2.44	8.34	8.34	19.32	19.24	19.24	19.24	36.04	36.04	36.04	36.04
87.833	720	0.44	M_2	140	455	286		475		389				
			c	4.2	1.4	2.1		1.5		1.6				
			$n_{2 \text{ Eck}}$	45	39	46		23		47				
			$n_{2 \text{ th}}$	45	39	46		23		41				
99.167	720	0.42	M_2	157	509	321		531		436				
			c	3.8	1.3	1.9		1.4		1.4				
			$n_{2 \text{ Eck}}$	40	34	41		20		41				
			$n_{2 \text{ th}}$	40	34	41		20		36				
113.667	720	0.28	M_2	181	587	370								
			c	3.6	1.2	1.8								
			$n_{2 \text{ Eck}}$	35	30	36								
			$n_{2 \text{ th}}$	35	30	36								
128.333	720	0.26	M_2	203	656	414								
			c	3.2	1.1	1.6								
			$n_{2 \text{ Eck}}$	31	27	32								
			$n_{2 \text{ th}}$	31	27	32								
137.950	720	0.20	M_2	219	709	447								
			c	3.2	1.0	1.6								
			$n_{2 \text{ Eck}}$	29	25	29								
			$n_{2 \text{ th}}$	29	25	29								
155.750	720	0.19	M_2	245		499								
			c	2.9		1.4								
			$n_{2 \text{ Eck}}$	25		26								
			$n_{2 \text{ th}}$	25		26								
174.375	720	0.13	M_2	276										
			c	2.5										
			$n_{2 \text{ Eck}}$	23										
			$n_{2 \text{ th}}$	23										
196.875	720	0.12	M_2	309										
			c	2.3										
			$n_{2 \text{ Eck}}$	20										
			$n_{2 \text{ th}}$	20										

$M \dots$ [Nm]
 $n \dots$ [r/min]
 $J \dots$ [kgcm²]

$P \dots$ [kW]
 $I \dots$ [A]
 i [-]
 c [-]

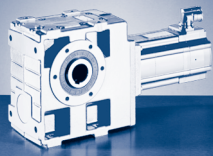


$M_{2GN} \leq 720 \text{ Nm}$

GSS06-3A				10IC40	13IC34
				...S00	...F10
i	M_{2GN}	J_G	M_1		
			n_1	2.00	6.30
			I_{M400}	3950	3410
			P_N	2.4	6.0
			J_M	0.80	2.20
			M_2	2.44	8.34
126.531	720	0.31	c	196	623
			$n_2 \text{ Eck}$	1.9	1.1
			$n_2 \text{ th}$	31	27
			M_2	218	695
142.857	720	0.30	c	1.9	1.0
			$n_2 \text{ Eck}$	28	24
			$n_2 \text{ th}$	28	24
155.000	720	0.27	M_2	238	
			c	1.7	
			$n_2 \text{ Eck}$	26	
			$n_2 \text{ th}$	25	
175.000	720	0.26	M_2	265	
			c	1.7	
			$n_2 \text{ Eck}$	23	
			$n_2 \text{ th}$	23	
194.857	720	0.14	M_2	297	
			c	1.4	
			$n_2 \text{ Eck}$	20	
			$n_2 \text{ th}$	20	
220.000	720	0.14	M_2	331	
			c	1.4	
			$n_2 \text{ Eck}$	18	
			$n_2 \text{ th}$	18	
238.700	720	0.13	M_2	361	
			c	1.3	
			$n_2 \text{ Eck}$	17	
			$n_2 \text{ th}$	17	
269.500	720	0.12	M_2	401	
			c	1.3	
			$n_2 \text{ Eck}$	15	
			$n_2 \text{ th}$	15	

M ... [Nm]
n ... [r/min]
J ... [kgcm²]

P ... [kW]
I ... [A]
i [-]
c [-]



GSS [Nm]

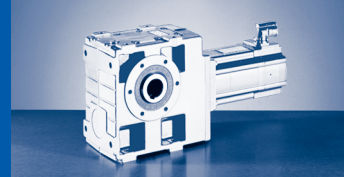
GSS□□-□A (MCA)

$M_{2GN} \leq 1250 \text{ Nm}$

GSS07-2A				10IC40	13IC34	13IC41	14LC16	14LC20	14LC35	14LC41	17NC17	17NC23	
				...500	...F10	...500	...F10	...500	...F10	...500	...F10	...500	
i	M_{2GN}	J_G	M_1	2.00	6.30	4.00	12.00	6.70	10.80	5.40	21.50	10.80	
			n_1	3950	3410	4050	1635	2000	3455	4100	1680	2300	
			I_{M400}	2.4	6.0	4.4	4.8	3.3	9.1	5.8	8.5	5.5	
			P_N	0.80	2.20	1.70	2.10	1.40	3.90	2.30	3.80	2.60	
			J_M	2.44	8.34	8.34	19.32	19.24	19.24	19.24	36.04	36.04	
5.862	539	21.36	M_2								113		
			c								4.1		
			n_2 Eck									287	
			n_2 th									287	
8.125	685	12.75	M_2								157	77	
			c								3.7	5.6	
			n_2 Eck									207	283
			n_2 th									207	283
9.086	628	17.44	M_2								173	85	
			c								3.1	5.0	
			n_2 Eck									185	253
			n_2 th									185	253
10.000	746	9.14	M_2						96				
			c						4.2				
			n_2 Eck						346				
			n_2 th						346				
10.000	797	9.14	M_2								194	95	
			c								3.5	5.3	
			n_2 Eck									168	230
			n_2 th									168	230
11.200	775	7.50	M_2						108				
			c						4.1				
			n_2 Eck						309				
			n_2 th						308				
11.200	866	7.50	M_2								218	107	
			c								3.4	5.1	
			n_2 Eck									150	205
			n_2 th									150	205
12.594	799	10.71	M_2								240	119	
			c								2.9	4.3	
			n_2 Eck									133	183
			n_2 th									133	183
14.286	832	4.84	M_2				152		139				
			c				5.2		3.8				
			n_2 Eck				115		242				
			n_2 th				114		242				
14.286	973	4.84	M_2								279	137	
			c								3.2	4.8	
			n_2 Eck									118	161
			n_2 th									118	161
14.286	1036	4.84	M_2										
			c										
			n_2 Eck										
			n_2 th										
15.500	931	7.79	M_2				161		148		295	146	
			c				4.9		3.3		2.7	4.1	
			n_2 Eck				106		223		108	148	
			n_2 th				105		223		108	148	
17.360	1012	6.42	M_2				180		166	80	331	164	
			c				4.7		3.1	5.8	2.6	4.0	
			n_2 Eck				94		199	236	97	133	
			n_2 th				94		199	207	97	132	

M ... [Nm]
 n ... [r/min]
 J ... [kgcm²]

P ... [kW]
 I ... [A]
 i [-]
 c [-]

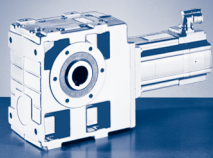


$M_{2GN} \leq 1250 \text{ Nm}$

17NC35	17NC41	19SC17	19SC23	19SC35	19SC42	21XC17	21XC25	21XC42	GSS07-2A			
...F10	...S00	...F10	...S00	...F10	...S00	...F10	...S00	...S00	M_1	J_G	M_{2GN}	i
19.00	9.50	36.30	16.30	36.00	12.00	61.40	24.60	17.00	n_1			
3480	4110	1700	2340	3510	4150	1710	2490	4160	I_{M400}			
15.8	10.2	13.9	8.2	28.7	14.0	22.5	13.5	19.8	P_N			
6.90	4.10	6.40	4.00	13.20	5.20	11.00	6.40	7.40	J_M			
36.04	36.04	72.12	72.12	72.04	72.12	180.04	180.04	180.04	M_2			
100	49	194	85	193	63	332	131	90	c	21.36	539	5.862
2.8	5.1	2.4	4.1	1.5	4.0	1.4	2.7	2.8	$n_{2 \text{ Eck}}$			
594	701	290	399	599	708	292	425	710	$n_{2 \text{ th}}$			
531	531	290	399	418	418	292	343	343	M_2	12.75	685	8.125
140	68	270	119	269	87	461	182	125	c			
2.5	4.6	2.2	3.7	1.3	3.7	1.3	2.5	2.6	$n_{2 \text{ Eck}}$			
428	506	209	288	432	511	211	307	512	$n_{2 \text{ th}}$			
383	383	209	288	301	301	210	248	248	M_2	17.44	628	9.086
154	75	296	131	295	96	504	199	137	c			
2.4	4.5	1.8	3.3	1.3	3.6	1.1	2.2	2.5	$n_{2 \text{ Eck}}$			
383	452	187	258	386	457	188	274	458	$n_{2 \text{ th}}$			
342	342	187	258	269	269	188	222	222	M_2	9.14	746	10.000
									c			
									$n_{2 \text{ Eck}}$			
									$n_{2 \text{ th}}$			
173	85	333	147	332	108	568	225	155	M_2	9.14	797	10.000
2.4	4.4	2.1	3.5	1.3	3.5	1.2	2.3	2.5	c			
348	411	170	234	351	415	171	249	416	$n_{2 \text{ Eck}}$			
311	311	170	234	245	245	171	201	201	$n_{2 \text{ th}}$			
									M_2	7.50	775	11.200
									c			
									$n_{2 \text{ Eck}}$			
									$n_{2 \text{ th}}$			
194	95	373	165	372	121	637	252	174	M_2	7.50	866	11.200
2.3	4.2	2.0	3.4	1.2	3.4	1.2	2.3	2.4	c			
311	367	152	209	313	371	153	222	371	$n_{2 \text{ Eck}}$			
278	278	152	209	219	219	153	180	180	$n_{2 \text{ th}}$			
214	105	410	182	410	134		278	191	M_2	10.71	799	12.594
2.1	3.9	1.7	2.9	1.1	3.1		1.9	2.2	c			
276	326	135	186	279	330		198	330	$n_{2 \text{ Eck}}$			
247	247	135	186	194	194		160	160	$n_{2 \text{ th}}$			
									M_2	4.84	832	14.286
									c			
									$n_{2 \text{ Eck}}$			
									$n_{2 \text{ th}}$			
248	122								M_2	4.84	973	14.286
2.2	4.0								c			
244	288								$n_{2 \text{ Eck}}$			
218	218								$n_{2 \text{ th}}$			
		477	211	476	155				M_2	4.84	1036	14.286
		1.9	3.2	1.1	3.1				c			
		119	164	246	291				$n_{2 \text{ Eck}}$			
		119	164	171	171				$n_{2 \text{ th}}$			
264	130	505	224		165		342	236	M_2	7.79	931	15.500
1.9	3.5	1.6	2.7		2.8		1.8	2.0	c			
225	265	110	151		268		161	268	$n_{2 \text{ Eck}}$			
201	201	110	151		158		130	130	$n_{2 \text{ th}}$			
296	145	565	251		185		383	265	M_2	6.42	1012	17.360
1.8	3.3	1.6	2.6		2.6		1.7	1.9	c			
201	237	98	135		239		143	240	$n_{2 \text{ Eck}}$			
179	179	98	135		141		116	116	$n_{2 \text{ th}}$			

M ... [Nm]
n ... [r/min]
J ... [kgcm²]

P ... [kW]
I ... [A]
i [-]
c [-]



GSS [Nm]

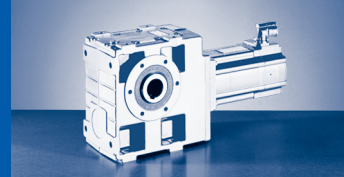
GSS□□-□A (MCA)

$M_{2GN} \leq 1250 \text{ Nm}$

GSS07-2A				10IC40	13IC34	13IC41	14LC16	14LC20	14LC35	14LC41	17NC17	17NC23	
				...S00	...F10	...S00	...F10	...S00	...F10	...S00	...F10	...S00	
i	M_{2GN}	J_G	M_1	2.00	6.30	4.00	12.00	6.70	10.80	5.40	21.50	10.80	
			n_1	3950	3410	4050	1635	2000	3455	4100	1680	2300	
			I_{M400}	2.4	6.0	4.4	4.8	3.3	9.1	5.8	8.5	5.5	
			P_N	0.80	2.20	1.70	2.10	1.40	3.90	2.30	3.80	2.60	
			J_M	2.44	8.34	8.34	19.32	19.24	19.24	19.24	36.04	36.04	
20.517	764	13.58	M_2								370	183	
			c								1.8	2.9	
			$n_{2 \text{ Eck}}$									82	112
			$n_{2 \text{ th}}$									82	112
22.143	836	4.18	M_2		121								
			c		5.0								
			$n_{2 \text{ Eck}}$		154								
			$n_{2 \text{ th}}$		154								
22.143	1211	4.18	M_2				230		212	103	421	210	
			c				4.4		2.9	5.4	2.5	3.7	
			$n_{2 \text{ Eck}}$				74		156	185	76	104	
			$n_{2 \text{ th}}$				74		156	162	76	104	
25.188	913	9.59	M_2								458	228	
			c								1.7	2.6	
			$n_{2 \text{ Eck}}$								67	91	
			$n_{2 \text{ th}}$								67	91	
27.125	1250	3.13	M_2				282		260	126	516	257	
			c				4.2		2.8	5.1	2.4	3.5	
			$n_{2 \text{ Eck}}$				60		127	151	62	85	
			$n_{2 \text{ th}}$				60		127	132	62	85	
31.000	1065	7.05	M_2				309	169	282	138	562	280	
			c				2.9	4.7	2.0	3.7	1.6	2.5	
			$n_{2 \text{ Eck}}$				53	65	112	132	54	74	
			$n_{2 \text{ th}}$				53	65	111	116	54	74	
35.306	1052	1.96	M_2		193								
			c		4.5								
			$n_{2 \text{ Eck}}$		97								
			$n_{2 \text{ th}}$		97								
35.306	1250	1.96	M_2				369	201	338	165	673	334	
			c				3.3	5.9	2.6	4.8	1.8	3.3	
			$n_{2 \text{ Eck}}$				46	57	98	116	48	65	
			$n_{2 \text{ th}}$				46	57	98	102	48	65	
39.200	1175	5.37	M_2				388	213	355	174	704	352	
			c				2.7	4.3	1.8	3.3	1.5	2.3	
			$n_{2 \text{ Eck}}$				42	51	88	105	43	59	
			$n_{2 \text{ th}}$				42	51	88	92	43	59	
43.271	1090	1.43	M_2		237								
			c		4.2								
			$n_{2 \text{ Eck}}$		79								
			$n_{2 \text{ th}}$		79								
43.271	1250	1.43	M_2				454	248	414	202	824	410	
			c				2.7	4.8	2.5	4.5	1.5	3.0	
			$n_{2 \text{ Eck}}$				38	46	80	95	39	53	
			$n_{2 \text{ th}}$				38	46	80	83	39	53	
50.000	1250	3.53	M_2		260	163	495	271	452	223	897	449	
			c		2.9	4.2	2.4	4.0	1.7	3.1	1.3	2.1	
			$n_{2 \text{ Eck}}$		68	81	33	40	69	82	34	46	
			$n_{2 \text{ th}}$		68	81	33	40	69	72	34	46	
54.250	1250	2.89	M_2				541	297	495	244	981	491	
			c				2.3	3.9	1.7	3.1	1.3	2.1	
			$n_{2 \text{ Eck}}$				30	37	64	76	31	42	
			$n_{2 \text{ th}}$				30	37	64	66	31	42	

$M \dots$ [Nm]
 $n \dots$ [r/min]
 $J \dots$ [kgcm²]

$P \dots$ [kW]
 $I \dots$ [A]
 $i \dots$ [-]
 $c \dots$ [-]

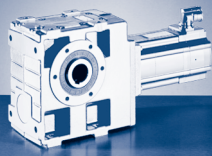


$M_{2GN} \leq 1250 \text{ Nm}$

17NC35	17NC41	19SC17	19SC23	19SC35	19SC42	21XC17	21XC25	21XC42	GSS07-2A			
...F10	...S00	...F10	...S00	...F10	...S00	...F10	...S00	...S00	M_1	J_G	M_{2GN}	i
19.00	9.50	36.30	16.30	36.00	12.00	61.40	24.60	17.00	n_1			
3480	4110	1700	2340	3510	4150	1710	2490	4160	I_{M400}			
15.8	10.2	13.9	8.2	28.7	14.0	22.5	13.5	19.8	P_N			
6.90	4.10	6.40	4.00	13.20	5.20	11.00	6.40	7.40	J_M			
36.04	36.04	72.12	72.12	72.04	72.12	180.04	180.04	180.04	M_2			
327	161	629	280		205		425	292	c	13.58	764	20.517
1.4	2.6	1.1	1.9		2.1		1.3	1.5	$n_{2\text{ Eck}}$			
170	200	83	114		202		121	203	$n_{2\text{ th}}$			
152	152	83	114		119		98	98	M_2			
									c	4.18	836	22.143
									$n_{2\text{ Eck}}$			
									$n_{2\text{ th}}$			
378	186	720	321		237				M_2			
1.7	3.1	1.5	2.5		2.4				c	4.18	1211	22.143
157	186	77	106		187				$n_{2\text{ Eck}}$			
141	141	77	106		111				$n_{2\text{ th}}$			
406	201	779	347		255		527	363	M_2			
1.2	2.3	1.0	1.7		1.9		1.1	1.3	c	9.59	913	25.188
138	163	68	93		165		99	165	$n_{2\text{ Eck}}$			
124	124	67	93		97		80	80	$n_{2\text{ th}}$			
463	228	880	393		290				M_2			
1.6	2.9	1.4	2.3		2.3				c	3.13	1250	27.125
128	152	63	86		153				$n_{2\text{ Eck}}$			
115	115	63	86		90				$n_{2\text{ th}}$			
501	248		427		314		649	448	M_2			
1.1	2.1		1.6		1.7		1.1	1.2	c	7.05	1065	31.000
112	133		76		134		80	134	$n_{2\text{ Eck}}$			
100	100		75		79		65	65	$n_{2\text{ th}}$			
									M_2			
									c	1.96	1052	35.306
									$n_{2\text{ Eck}}$			
									$n_{2\text{ th}}$			
602	297								M_2			
1.5	2.7								c	1.96	1250	35.306
99	116								$n_{2\text{ Eck}}$			
88	88								$n_{2\text{ th}}$			
630	312		536		396		814	563	M_2			
1.0	1.9		1.5		1.5		1.0	1.1	c	5.37	1175	39.200
89	105		60		106		64	106	$n_{2\text{ Eck}}$			
79	79		60		62		51	51	$n_{2\text{ th}}$			
									M_2			
									c	1.43	1090	43.271
									$n_{2\text{ Eck}}$			
									$n_{2\text{ th}}$			
737	364								M_2			
1.4	2.6								c	1.43	1250	43.271
80	95								$n_{2\text{ Eck}}$			
72	72								$n_{2\text{ th}}$			
	398		683		505				M_2			
	1.8		1.4		1.4				c	3.53	1250	50.000
	82		47		83				$n_{2\text{ Eck}}$			
	62		47		49				$n_{2\text{ th}}$			
	435		747		552				M_2			
	1.8		1.4		1.4				c	2.89	1250	54.250
	76		43		77				$n_{2\text{ Eck}}$			
	57		43		45				$n_{2\text{ th}}$			

M ... [Nm]
n ... [r/min]
J ... [kgcm²]

P ... [kW]
I ... [A]
i [-]
c [-]



GSS [Nm]

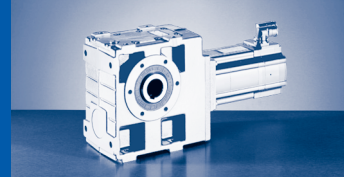
GSS□□-□A (MCA)

$M_{2GN} \leq 1250 \text{ Nm}$

GSS07-2A				10IC40	13IC34	13IC41	14LC16	14LC20	14LC35	14LC41	17NC17	17NC23
				...500	...F10	...500	...F10	...500	...F10	...500	...F10	...500
i	M_{2GN}	J_G	M_1	2.00	6.30	4.00	12.00	6.70	10.80	5.40	21.50	10.80
			n_1	3950	3410	4050	1635	2000	3455	4100	1680	2300
			I_{M400}	2.4	6.0	4.4	4.8	3.3	9.1	5.8	8.5	5.5
			P_N	0.80	2.20	1.70	2.10	1.40	3.90	2.30	3.80	2.60
			J_M	2.44	8.34	8.34	19.32	19.24	19.24	19.24	36.04	36.04
61.250	1250	2.70	M_2				606	333	554	273	1097	549
			c				2.0	3.6	1.6	2.9	1.1	2.0
			$n_{2 \text{ Eck}}$				27	33	56	67	27	38
			$n_{2 \text{ th}}$				27	33	56	59	27	38
70.611	1250	1.81	M_2		370	232	703	388	643	317		638
			c		2.7	3.9	1.8	3.1	1.6	2.9		1.9
			$n_{2 \text{ Eck}}$		48	57	23	28	49	58		33
			$n_{2 \text{ th}}$		48	57	23	28	49	51		33
79.722	1250	1.70	M_2		414	260	787	435	719	354		714
			c		2.6	3.7	1.6	2.8	1.5	2.7		1.7
			$n_{2 \text{ Eck}}$		43	51	21	25	43	51		29
			$n_{2 \text{ th}}$		43	51	21	25	43	45		29
86.542	1250	1.34	M_2		454	284	858	475	788	388		781
			c		2.5	3.7	1.5	2.6	1.5	2.7		1.6
			$n_{2 \text{ Eck}}$		39	47	19	23	40	47		27
			$n_{2 \text{ th}}$		39	47	19	23	40	41		27
97.708	1250	1.26	M_2		508	318	961	533	881	434		874
			c		2.3	3.5	1.3	2.3	1.3	2.6		1.4
			$n_{2 \text{ Eck}}$		35	42	17	21	35	42		24
			$n_{2 \text{ th}}$		35	41	17	20	35	37		24
113.667	1250	0.83	M_2		596	373	1119	622	1032	509		
			c		2.1	3.2	1.1	2.0	1.2	2.4		
			$n_{2 \text{ Eck}}$		30	36	14	18	30	36		
			$n_{2 \text{ th}}$		30	36	14	18	30	32		
128.333	1250	0.79	M_2	202	667	418		697	1154	570		
			c	5.8	1.9	2.9		1.8	1.1	2.2		
			$n_{2 \text{ Eck}}$	31	27	32		16	27	32		
			$n_{2 \text{ th}}$	31	27	32		16	27	28		
137.950	1250	0.61	M_2	219	722	453		752	1247	616		
			c	5.4	1.7	2.7		1.7	1.0	2.0		
			$n_{2 \text{ Eck}}$	29	25	29		15	25	30		
			$n_{2 \text{ th}}$	29	25	29		15	25	26		
155.750	1250	0.58	M_2	247	808	508		841		691		
			c	4.8	1.5	2.4		1.5		1.8		
			$n_{2 \text{ Eck}}$	25	22	26		13		26		
			$n_{2 \text{ th}}$	25	22	26		13		23		
174.375	1250	0.39	M_2	278	908	571						
			c	4.3	1.4	2.2						
			$n_{2 \text{ Eck}}$	23	20	23						
			$n_{2 \text{ th}}$	23	20	23						
196.875	1250	0.37	M_2	313	1017	640						
			c	3.8	1.2	1.9						
			$n_{2 \text{ Eck}}$	20	17	21						
			$n_{2 \text{ th}}$	20	17	21						

$M \dots$ [Nm]
 $n \dots$ [r/min]
 $J \dots$ [kgcm²]

$P \dots$ [kW]
 $I \dots$ [A]
 i [-]
 c [-]

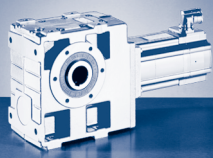


$M_{2GN} \leq 1250 \text{ Nm}$

17NC35	17NC41	19SC17	19SC23	19SC35	19SC42	21XC17	21XC25	21XC42	GSS07-2A			
...F10	...S00	...F10	...S00	...F10	...S00	...F10	...S00	...S00	M_1	J_G	M_{2GN}	i
19.00	9.50	36.30	16.30	36.00	12.00	61.40	24.60	17.00	n_1			
3480	4110	1700	2340	3510	4150	1710	2490	4160	I_{M400}			
15.8	10.2	13.9	8.2	28.7	14.0	22.5	13.5	19.8	P_N			
6.90	4.10	6.40	4.00	13.20	5.20	11.00	6.40	7.40	J_M			
36.04	36.04	72.12	72.12	72.04	72.12	180.04	180.04	180.04	M_2			
	487		835		617				c	2.70	1250	61.250
	1.7		1.3		1.3				$n_{2 \text{ Eck}}$			
	67		38		68				$n_{2 \text{ th}}$			
	51		38		40				M_2			
	565								c	1.81	1250	70.611
	1.6								$n_{2 \text{ Eck}}$			
	58								$n_{2 \text{ th}}$			
	44								M_2			
	632								c	1.70	1250	79.722
	1.6								$n_{2 \text{ Eck}}$			
	52								$n_{2 \text{ th}}$			
	39								M_2			
	692								c	1.34	1250	86.542
	1.6								$n_{2 \text{ Eck}}$			
	48								$n_{2 \text{ th}}$			
	36								M_2			
	774								c	1.26	1250	97.708
	1.5								$n_{2 \text{ Eck}}$			
	42								$n_{2 \text{ th}}$			
	32								M_2			
									c	0.83	1250	113.667
									$n_{2 \text{ Eck}}$			
									$n_{2 \text{ th}}$			
									M_2			
									c	0.79	1250	128.333
									$n_{2 \text{ Eck}}$			
									$n_{2 \text{ th}}$			
									M_2			
									c	0.61	1250	137.950
									$n_{2 \text{ Eck}}$			
									$n_{2 \text{ th}}$			
									M_2			
									c	0.58	1250	155.750
									$n_{2 \text{ Eck}}$			
									$n_{2 \text{ th}}$			
									M_2			
									c	0.39	1250	174.375
									$n_{2 \text{ Eck}}$			
									$n_{2 \text{ th}}$			
									M_2			
									c	0.37	1250	196.875
									$n_{2 \text{ Eck}}$			
									$n_{2 \text{ th}}$			

M ... [Nm]
n ... [r/min]
J ... [kgcm²]

P ... [kW]
I ... [A]
i [-]
c [-]



GSS [Nm]

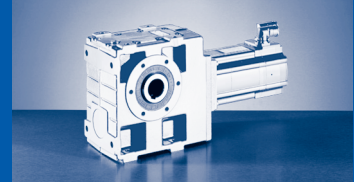
GSS□□-□A (MCA)

$M_{2GN} \leq 1250 \text{ Nm}$

GSS07-3A				10IC40	13IC34	13IC41	14LC16	14LC20	14LC35	14LC41
				...500	...F10	...500	...F10	...500	...F10	...500
i	M_{2GN}	J_G	M_1							
			n_1	2.00	6.30	4.00	12.00	6.70	10.80	5.40
			I_{M400}	3950	3410	4050	1635	2000	3455	4100
			P_N	2.4	6.0	4.4	4.8	3.3	9.1	5.8
			J_M	0.80	2.20	1.70	2.10	1.40	3.90	2.30
			M_2	2.44	8.34	8.34	19.32	19.24	19.24	19.24
126.531	1250	0.86	c	196	632	402	1186	660	1095	545
			$n_{2 \text{ Eck}}$	3.8	2.0	1.9	1.1	1.9	1.1	1.4
			$n_{2 \text{ th}}$	31	27	32	13	16	27	32
				31	27	32	13	16	27	28
142.857	1250	0.82	M_2	220	708	449		738	1225	610
			c	3.7	1.8	1.8		1.7	1.0	1.4
			$n_{2 \text{ Eck}}$	28	24	28		14	24	29
			$n_{2 \text{ th}}$	28	24	28		14	24	25
155.000	1250	0.74	M_2	239	772	489		805		664
			c	3.7	1.6	1.8		1.5		1.4
			$n_{2 \text{ Eck}}$	26	22	26		13		27
			$n_{2 \text{ th}}$	25	22	26		13		23
175.000	1250	0.72	M_2	268	866	548		898		743
			c	3.5	1.4	1.7		1.4		1.3
			$n_{2 \text{ Eck}}$	23	20	23		11		23
			$n_{2 \text{ th}}$	23	19	23		11		21
201.746	1250	0.37	M_2	310	999	632				
			c	3.2	1.3	1.6				
			$n_{2 \text{ Eck}}$	20	17	20				
			$n_{2 \text{ th}}$	20	17	20				
227.778	1250	0.36	M_2	347	1119	707				
			c	3.0	1.1	1.5				
			$n_{2 \text{ Eck}}$	17	15	18				
			$n_{2 \text{ th}}$	17	15	18				
247.139	1250	0.33	M_2	378	1218	770				
			c	2.8	1.0	1.4				
			$n_{2 \text{ Eck}}$	16	14	16				
			$n_{2 \text{ th}}$	16	14	16				
279.028	1250	0.32	M_2	422		859				
			c	2.7		1.3				
			$n_{2 \text{ Eck}}$	14		15				
			$n_{2 \text{ th}}$	14		15				
321.673	1250	0.28	M_2	493						
			c	1.9						
			$n_{2 \text{ Eck}}$	12						
			$n_{2 \text{ th}}$	12						
363.179	1250	0.28	M_2	547						
			c	1.9						
			$n_{2 \text{ Eck}}$	11						
			$n_{2 \text{ th}}$	11						
394.245	1250	0.26	M_2	601						
			c	1.7						
			$n_{2 \text{ Eck}}$	10						
			$n_{2 \text{ th}}$	10						
445.116	1250	0.26	M_2	665						
			c	1.7						
			$n_{2 \text{ Eck}}$	9						
			$n_{2 \text{ th}}$	9						
490.403	1250	0.18	M_2	735						
			c	1.5						
			$n_{2 \text{ Eck}}$	8						
			$n_{2 \text{ th}}$	8						

M ... [Nm]
 n ... [r/min]
 J ... [kgcm²]

P ... [kW]
 I ... [A]
 i [-]
 c [-]

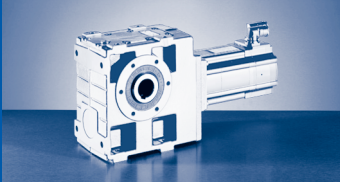


$M_{2GN} \leq 1250 \text{ Nm}$

GSS07-3A				10IC40	13IC34	13IC41	14LC16	14LC20	14LC35	14LC41
				...S00	...F10	...S00	...F10	...S00	...F10	...S00
i	M_{2GN}	J_G	M_1							
			n_1	2.00	6.30	4.00	12.00	6.70	10.80	5.40
			I_{M400}	3950	3410	4050	1635	2000	3455	4100
			P_N	2.4	6.0	4.4	4.8	3.3	9.1	5.8
			J_M	0.80	2.20	1.70	2.10	1.40	3.90	2.30
			M_2	2.44	8.34	8.34	19.32	19.24	19.24	19.24
553.681	1250	0.18	c	818						
			$n_{2 \text{ Eck}}$	1.4						
			$n_{2 \text{ th}}$	7						
			$n_{2 \text{ th}}$	7						
634.639	1250	0.11	M_2	943						
			c	1.3						
			$n_{2 \text{ Eck}}$	6						
			$n_{2 \text{ th}}$	6						
716.528	1250	0.11	M_2	1048						
			c	1.1						
			$n_{2 \text{ Eck}}$	6						
			$n_{2 \text{ th}}$	6						

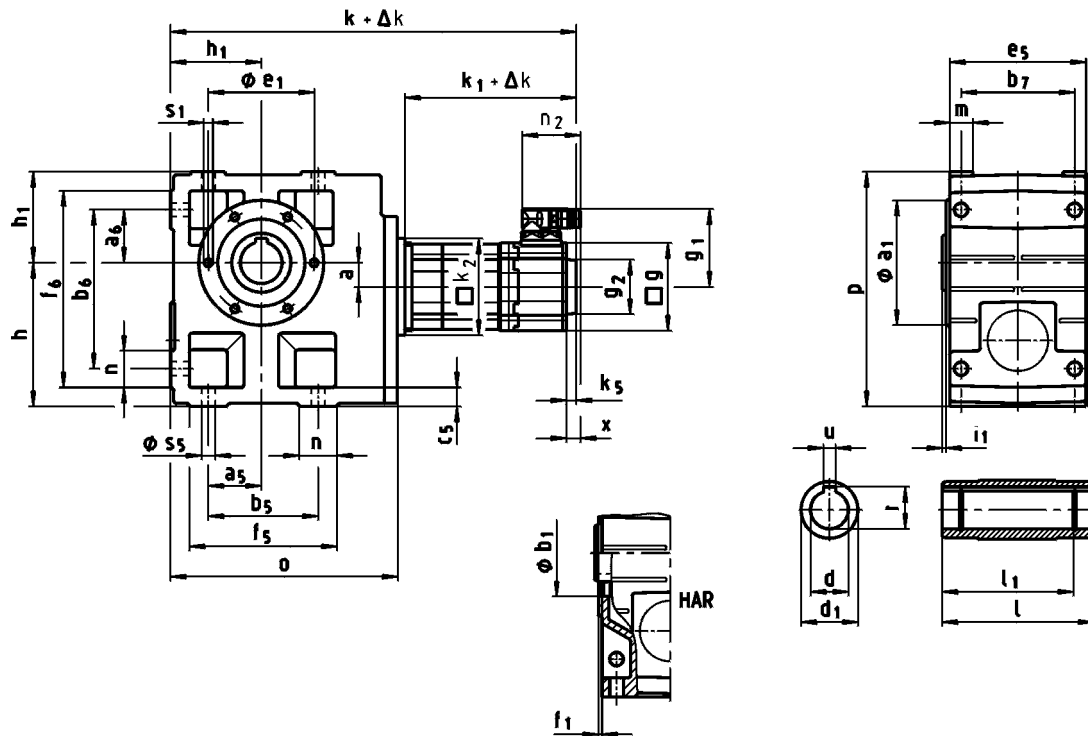
M ... [Nm]
n ... [r/min]
J ... [kgcm²]

P ... [kW]
I ... [A]
i [-]
c [-]



GSS [mm]

GSS□□-2S (MCS)

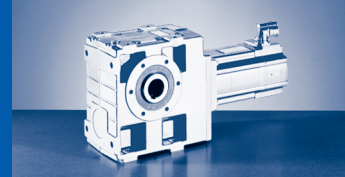


GSS□□-2S H□R ... RSO

		06C C41	06F C41	06I C41	09D C41	09F C38	09H C41	09L C41	12D C20	12D C41	12H C15	12H C30	12H C35	12L C20	12L C41	
GSS04...	k	325	355	385	378	398	418	458								
GSS05...	k	347	377	407	399	419	439	479	416			456			496	
GSS06...	k	387	417	447	439	459	479	519	456			496			536	
GSS07...	k				482	502	522	562	499			539			579	
...RSO B0 ¹⁾	Δ k	0														
...RSO P□ ¹⁾	Δ k	19				20										
	k ₁	132	162	192	183	203	223	263	188			228			268	
	k ₂	66			91							118	145 ²⁾			
	g	62				89						116				
...RSO	k ₅	0				13						14				
	g ₂	□ 62			Ø 67						Ø 72					
	g ₁	76				90						105				
	n ₂	64								78						
	x	21							18							

¹⁾ → 801 - SRS/SRM/ECN/EQN/EQI/C20

²⁾ GSS05: 12DC20 ... 12LC41



GSS□□-2S H□R ... RSO

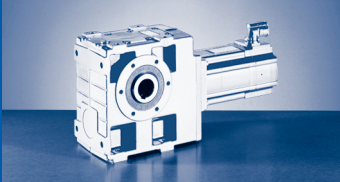
		14D C15	14D C36	14H C15	14H C32	14L C15	14L C32	14P C14	14P C32	19F C14	19F C30	19J C14	19J C30	19P C14	19P C30				
GSS06...	k	472		512		552		592											
GSS07...	k	515		555		595		635		554		594		654					
...RSO B0 ¹⁾	Δ k	0																	
...RSO P□ ¹⁾	Δ k	28						34			44								
	k ₁	201		241		281		321		220		260		320					
	k ₂	145						195											
	g	143						192											
...RSO	k ₅	24						15											
	g ₂	Ø 78																	
	g ₁	116				147		116		147		141		172		141		172	
	n ₂	78				94		78		94		78		94		78		94	
	x	16				38		16		38		16		36		16		36	

¹⁾ →  801 - SRS/SRM/ECN/EQN/EQI/C20

GSS□□-2S H□R

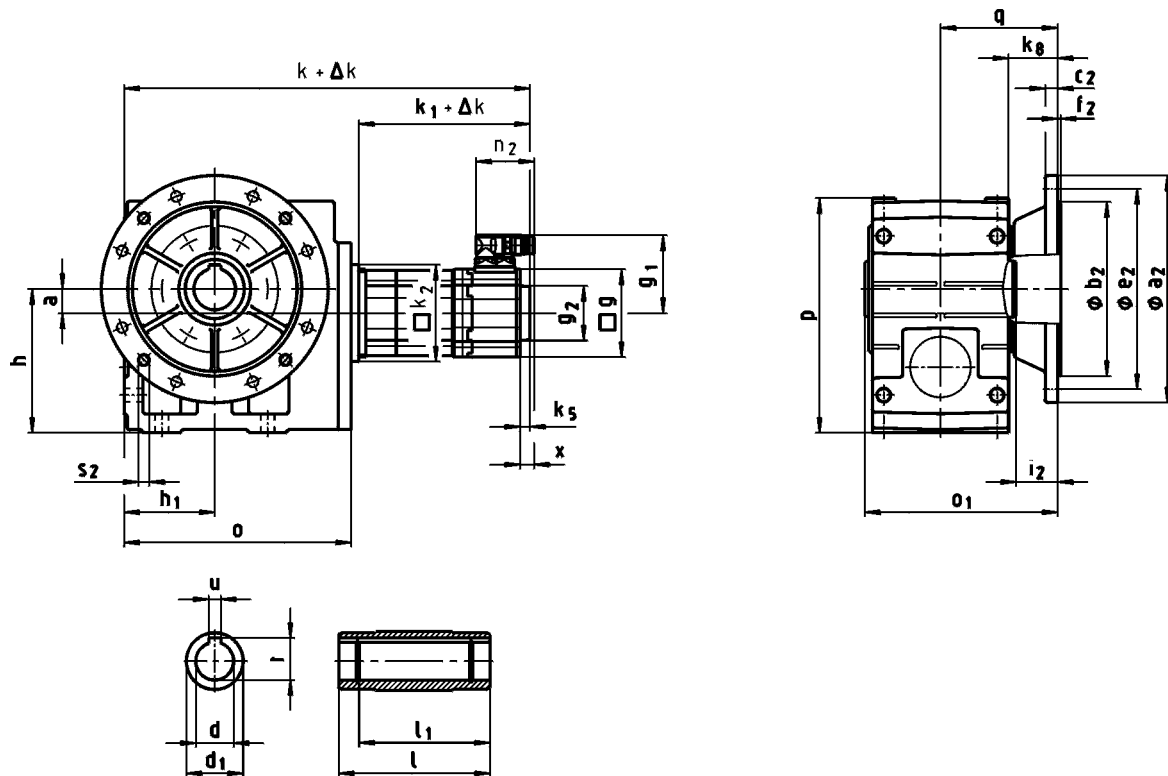
	o	p	h	h ₁	a	a ₅	a ₆	b ₅	b ₆	b ₇	c ₅	e ₅	f ₅	f ₆	m	n	s ₅
GSS04...	181	171	100	71	20	45	45	90	119	85	14	100	112	141	20	22	9
GSS05...	212	205	125	80	23	47.5	47.5	95	140	105	17	127	124	169	21	29	11
GSS06...	255	250	150	100	26	60	60	120	170	120	20	145	156	206	23	36	14
GSS07...	305	310	190	120	33	70	70	140	210	150	25	180	185	255	28	45	18

	d	l	d ₁	l ₁	u	t	a ₁	b ₁	e ₁	f ₁	i ₁	s ₁
	H7				JS9	+0,2		H7				6x60°
GSS04...	25	115	45	100	8	28.3	105	75	90	3	2.5	M6x12
	30					33.3						
GSS05...	35	140	50	124	10	38.3	118	80	100	4	4	M8x15
	40					43.3						
GSS06...	45	160	65	140	14	48.8	140	100	120	5	5	M10x16
	50					53.8						
GSS07...	55	200	75	175	16	59.3	165	115	140	5	5	M12x18



GSS [mm]

GSS□□-2S (MCS)

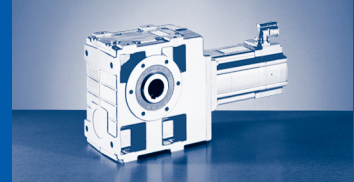


GSS□□-2S HAK ... RSO

		06C C41	06F C41	06I C41	09D C41	09F C38	09H C41	09L C41	12D C20	12D C41	12H C15	12H C30	12H C35	12L C20	12L C41		
GSS04...	k	325	355	385	378	398	418	458									
GSS05...	k	347	377	407	399	419	439	479	416		456			496			
GSS06...	k	387	417	447	439	459	479	519	456		496			536			
GSS07...	k				482	502	522	562	499		539			579			
...RSO B0 ¹⁾	Δk	0															
...RSO P□ ²⁾	Δk	19								20							
	k_1	132	162	192	183	203	223	263	188		228			268			
	k_2	66			91								118 145 ²⁾				
...RSO	g	62			89								116				
	k_5	0			13								14				
	g_2	□ 62			Ø 67								Ø 72				
	g_1	76			90								105				
	n_2	64							78								
	x				21								18				

¹⁾ → 801 - SRS/SRM/ECN/EQN/EQI/C20

²⁾ GSS05: 12DC20 ... 12LC41



GSS□□-2S HAK ... RSO

		14D C15	14D C36	14H C15	14H C32	14L C15	14L C32	14P C14	14P C32	19F C14	19F C30	19J C14	19J C30	19P C14	19P C30				
GSS06...	k	472		512		552		592											
GSS07...	k	515		555		595		635		554		594		654					
...RSO B0 ¹⁾	Δ k	0																	
...RSO P□ ²⁾	Δ k	28						34			44								
	k ₁	201		241		281		321		220		260		320					
	k ₂	145						195											
	g	143						192											
...RSO	k ₅	24						15											
	g ₂	Ø 78																	
	g ₁	116				147		116		147		141		172		141		172	
	n ₂	78				94		78		94		78		94		78		94	
	x	16				38		16		38		16		36		16		36	

¹⁾ →  801 - SRS/SRM/ECN/EQN/EQI/C20

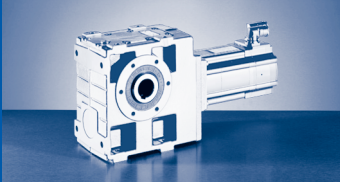
GSS□□-2S HAK

	o	o ₁	p	h	h ₁	a	q	k ₈
GSS04...	181	149	171	100	71	20	91	41
GSS05...	212	174	205	125	80	23	103.5	40
GSS06...	255	203 ²⁾ 202 ³⁾	250	150	100	26	122.5 ²⁾ 121.5 ³⁾	50 ²⁾ 49 ³⁾
GSS07...	305	256	310	190	120	33	155.5	66

²⁾ a₂ = 200

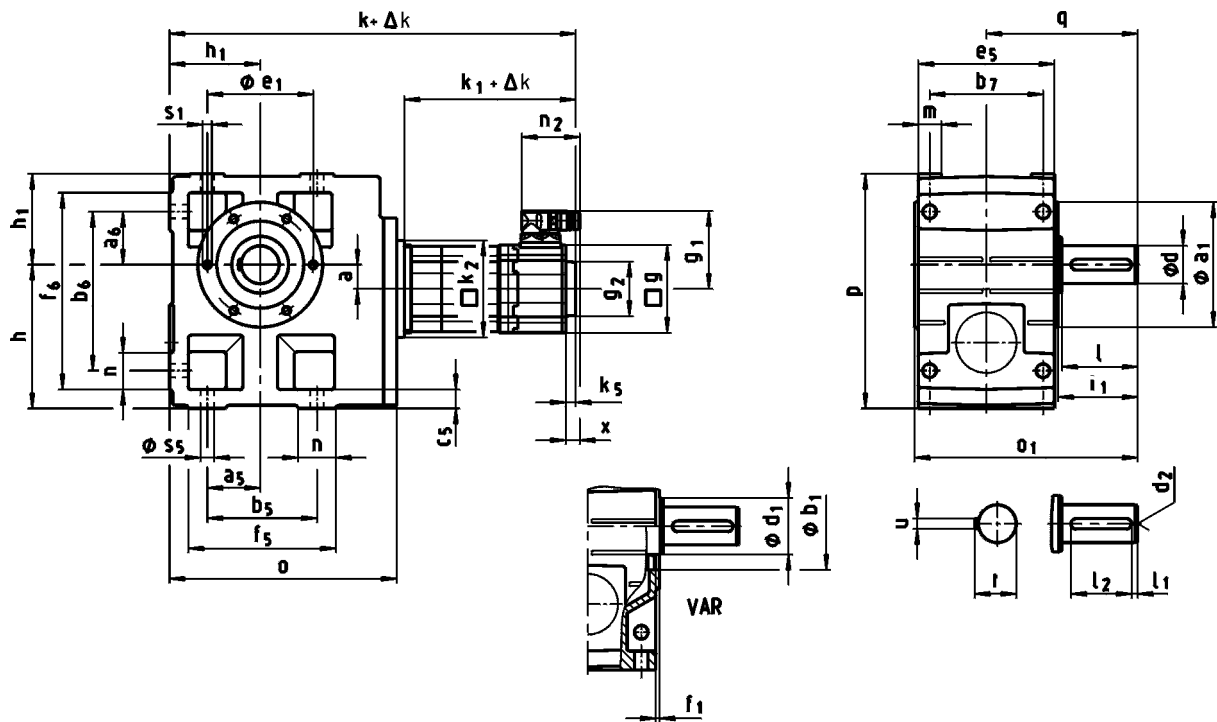
³⁾ a₂ = 250

	d	l	d ₁	l ₁	u	t	a ₂	b ₂	c ₂	e ₂	f ₂	i ₂	s ₂
	H7				JS9	+0,2		j7					
GSS04...	25	115	45	100	8	28.3	160	110	10	130	3.5	33.5	4 x 9
	30					33.3							
GSS05...	35	140	50	124	10	38.3	200	130	12	165	3.5	33.5	4 x 11
	40					43.3							
GSS06...	45	160	65	140	14	48.8	250	180	15	215	4	33.5	4 x 14
	50					53.8							
GSS07...	55	200	75	175	16	59.3	300	230	17	265	4	33.5	4 x 14



GSS [mm]

GSS□□-2S (MCS)

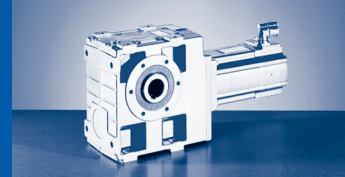


GSS□□-2S V□R ... RSO

		06C C41	06F C41	06I C41	09D C41	09F C38	09H C41	09L C41	12D C20	12D C41	12H C15	12H C30	12H C35	12L C20	12L C41	
GSS04...	k	325	355	385	378	398	418	458								
GSS05...	k	347	377	407	399	419	439	479	416		456			496		
GSS06...	k	387	417	447	439	459	479	519	456		496			536		
GSS07...	k				482	502	522	562	499		539			579		
...RSO B0 ¹⁾	Δk	0														
...RSO P□ ²⁾	Δk	19				20										
...RSO	k_1	132	162	192	183	203	223	263	188		228			268		
	k_2	66			91								118	145 ²⁾		
	g	62			89								116			
	k_5	0			13								14			
	g_2	□ 62			Ø 67								Ø 72			
	g_1	76			90								105			
	n_2	64							78							
	x					21								18		

¹⁾ → 801 - SRS/SRM/ECN/EQN/EQI/C20

²⁾ GSS05: 12DC20 ... 12LC41



GSS□□-2S V□R ... RSO

		14D C15	14D C36	14H C15	14H C32	14L C15	14L C32	14P C14	14P C32	19F C14	19F C30	19J C14	19J C30	19P C14	19P C30	
GSS06...	k	472		512		552		592								
GSS07...	k	515		555		595		635		554		594		654		
...RSO B0 ¹⁾	Δ k	0														
...RSO P□ ¹⁾	Δ k	28						34			44					
	k ₁	201		241		281		321		220		260		320		
	k ₂	145						195								
	g	143						192								
...RSO	k ₅	24						15								
	g ₂	Ø 78														
	g ₁	116				147	116	147	141	172	141	172	141	172	141	172
	n ₂	78				94	78	94	78	94	78	94	78	94	78	94
	x	16				38	16	38	16	36	16	36	16	36	16	36

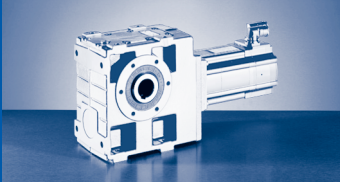
¹⁾ →  801 - SRS/SRM/ECN/EQN/EQI/C20

GSS□□-2S V□R

	o	o ₁	p	h	h ₁	a	q	a ₅	a ₆	b ₅	b ₆	b ₇	c ₅	e ₅	f ₅	f ₆	m	n	s ₅
GSS04...	181	163	171	100	71	20	107.5	45	45	90	119	85	14	100	112	141	20	22	9
GSS05...	212	197	205	125	80	23	130	47.5	47.5	95	140	105	17	127	124	169	21	29	11
GSS06...	255	236	250	150	100	26	160	60	60	120	170	120	20	145	156	206	23	36	14
GSS07...	305	296	310	190	120	33	200	70	70	140	210	150	25	180	185	255	28	45	18

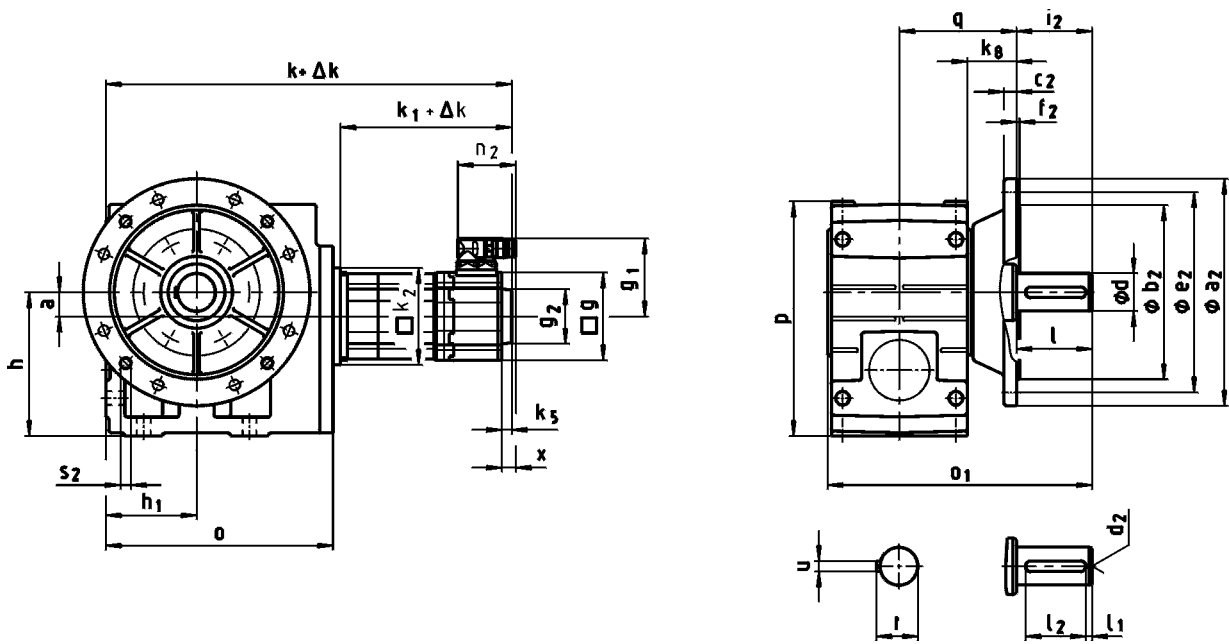
	d	l	d ₁	l ₁	l ₂	d ₂	u	t	a ₁	b ₁	e ₁	f ₁	i ₁	s ₁
										H7				6x60°
GSS04...	25	50	45	4	40	M10	8	28	105	75	90	3	52.5	M6x12
GSS05...	30	60	50	6	45			33	118	80	100	4	64	M8x15
GSS06...	40	80	65	7	63	M16	14	43	140	100	120		85	M10x16
GSS07...	50	100	75	8	80			53.5	165	115	140	5	105	M12x18

d ≤ 50 mm: k6; d > 50 mm: m6



GSS [mm]

GSS□□-2S (MCS)

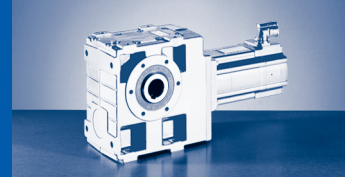


GSS□□-2S VAK ... RSO

		06C C41	06F C41	06I C41	09D C41	09F C38	09H C41	09L C41	12D C20	12D C41	12H C15	12H C30	12H C35	12L C20	12L C41
GSS04...	k	325	355	385	378	398	418	458							
GSS05...	k	347	377	407	399	419	439	479	416			456			496
GSS06...	k	387	417	447	439	459	479	519	456			496			536
GSS07...	k				482	502	522	562	499			539			579
...RSO B0 ¹⁾	Δk	0													
...RSO P□ ²⁾	Δk	19			20										
	k_1	132	162	192	183	203	223	263	188		228			268	
	k_2	66			91				118				145 ²⁾		
	g	62			89				116						
...RSO	k_5	0			13				14						
	g_2	□ 62			Ø 67				Ø 72						
	g_1	76			90				105						
	n_2	64							78						
	x				21								18		

¹⁾ → 801 - SRS/SRM/ECN/EQN/EQI/C20

²⁾ GSS05: 12DC20 ... 12LC41



GSS□□-2S VAK ... RSO

		14D C15	14D C36	14H C15	14H C32	14L C15	14L C32	14P C14	14P C32	19F C14	19F C30	19J C14	19J C30	19P C14	19P C30				
GSS06...	k	472		512		552		592											
GSS07...	k	515		555		595		635		554		594		654					
...RSO B0 ¹⁾	Δ k	0																	
...RSO P□ ¹⁾	Δ k	28						34			44								
	k ₁	201		241		281		321		220		260		320					
	k ₂	145						195											
	g	143						192											
...RSO	k ₅	24						15											
	g ₂	Ø 78																	
	g ₁	116				147		116		147		141		172		141		172	
	n ₂	78				94		78		94		78		94		78		94	
	x	16				38		16		38		16		36		16		36	

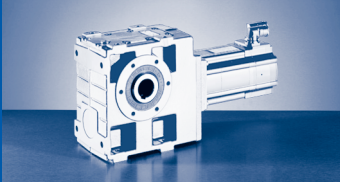
¹⁾ →  801 - SRS/SRM/ECN/EQN/EQI/C20

GSS□□-2S VAK

	o	o ₁	p	h	h ₁	a	q	k ₈
GSS04...	181	196	171	100	71	20	91	41
GSS05...	212	230	205	125	80	23	103.5	40
GSS06...	255	277	250	150	100	26	121.5	49
GSS07...	305	351	310	190	120	33	155.5	66

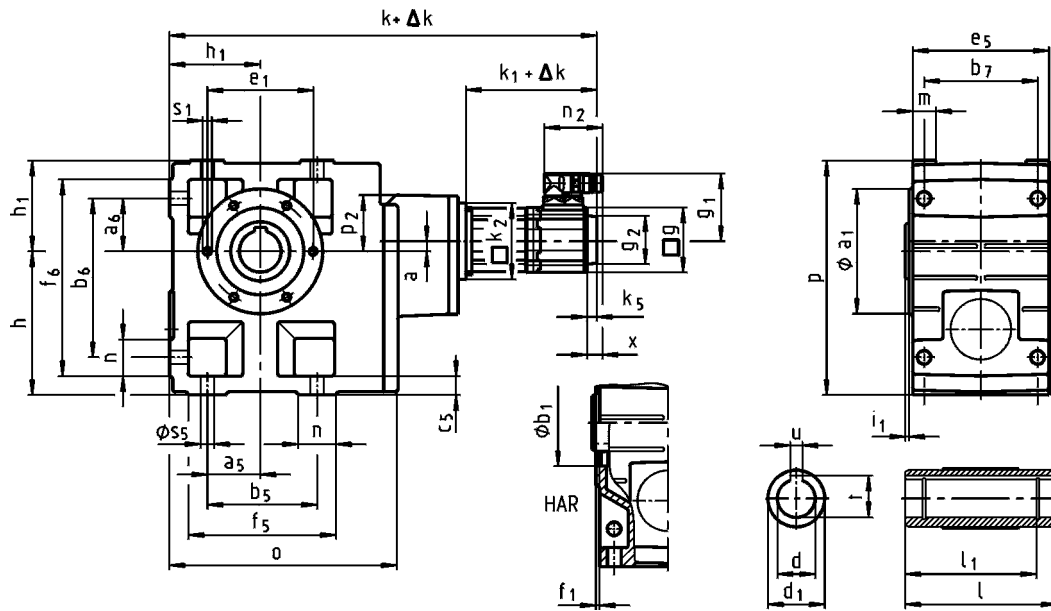
	d	l	l ₁	l ₂	d ₂	u	t	a ₂	b ₂	c ₂	e ₂	f ₂	i ₂	s ₂
									j7					
GSS04...	25	50	4	40	M10	8	28	160	110	10	130	3.5	50	4 x 9
GSS05...	30	60	6	45			33	200	130	12	165		60	4 x 11
GSS06...	40	80	7	63	M16	14	43	250	180	15	215	4	80	4 x 14
GSS07...	50	100	8	80			53.5						300	

d ≤ 50 mm: k6; d > 50 mm: m6



GSS [mm]

GSS□□-3S (MCS)

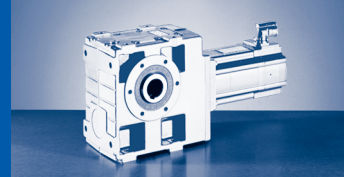


GSS□□-3S H□R ... RSO

		06C C41	06F C41	06I C41	09D C41	09F C38	09H C41	09L C41	12D C20	12D C41	12H C15	12H C30	12H C35	12L C20	12L C41	
GSS05...	k	423	453	483	476	496	516	556								
GSS06...	k	480	510	540	533	553	573	613								
GSS07...	k	534	564	594	587	607	627	667	604		644			684		
...RSO B0 ¹⁾	Δk	0														
...RSO P□ ¹⁾	Δk	19				20										
	k_1	132	162	192	183	203	223	263	188		228		268			
	k_2	66			91					118			145 ²⁾			
	g	62			89					116						
...RSO	k_5	0			13					14						
	g_2	□ 62			Ø 67					Ø 72						
	g_1	76			90					105						
	n_2	64								78						
	x				21								18			

¹⁾ → 801 - SRS/SRM/ECN/EQN/EQI/C20

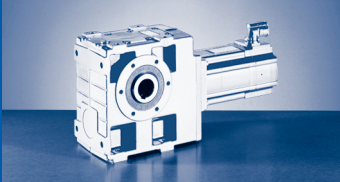
²⁾ GSS07: 12DC20 ... 12LC41



GSS□□-3S H□R

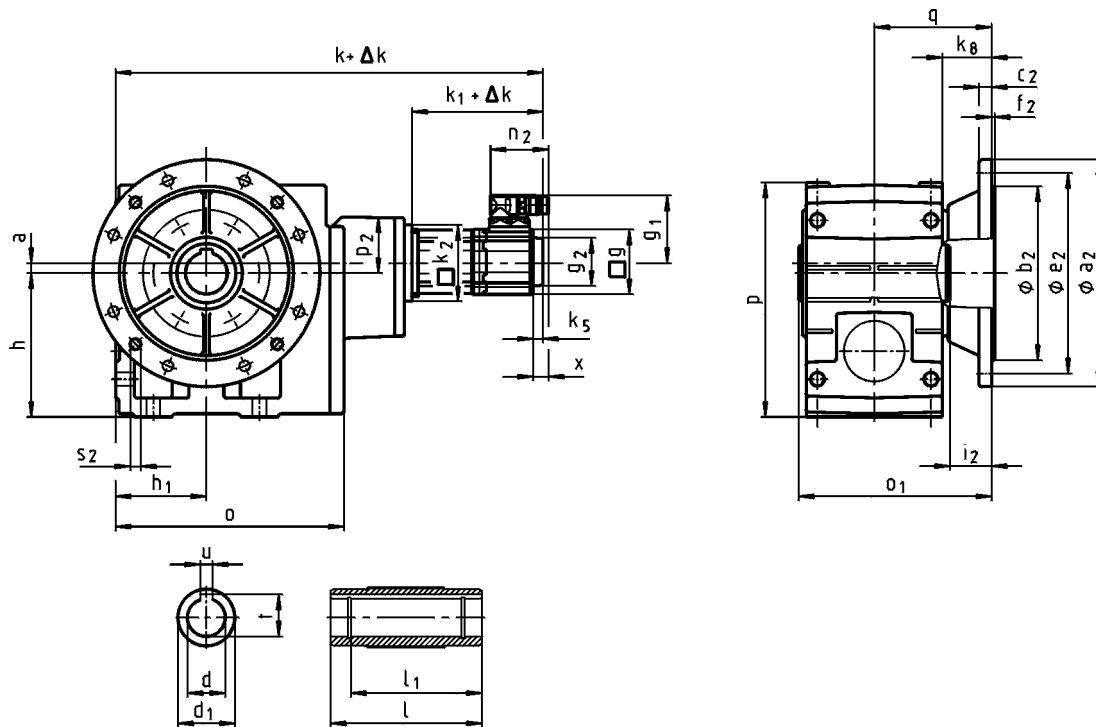
	o	p	p ₂	h	h ₁	a	a ₅	a ₆	b ₅	b ₆	b ₇	c ₅	e ₅	f ₅	f ₆	m	n	s ₅
GSS05...	209	205	65	125	80	13	47.5	47.5	95	140	105	17	127	124	169	21	29	11
GSS06...	252	250	63	150	100	10	60	60	120	170	120	20	145	156	206	23	36	14
GSS07...	299	310	73	190	120	12	70	70	140	210	150	25	180	185	255	28	45	18

	d	l	d ₁	l ₁	u	t	a ₁	b ₁	e ₁	f ₁	i ₁	s ₁
	H7				JS9	+0,2		H7				6x60°
GSS05...	30	140	50	124	8	33.3	118	80	100	4	4	M8x15
	35				10	38.3						
GSS06...	40	160	65	140	12	43.3	140	100	120		5	M10x16
	45				14	48.8						
GSS07...	50	200	75	175	14	53.8	165	115	140	5	M12x18	
	55				16	59.3						



GSS [mm]

GSS□□-3S (MCS)

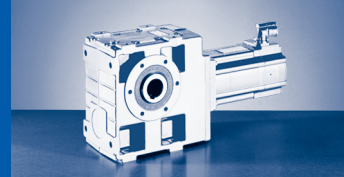


GSS□□-3S HAK ... RSO

		06C C41	06F C41	06I C41	09D C41	09F C38	09H C41	09L C41	12D C20	12D C41	12H C15	12H C30	12H C35	12L C20	12L C41	
GSS05...	k	423	453	483	476	496	516	556								
GSS06...	k	480	510	540	533	553	573	613								
GSS07...	k	534	564	594	587	607	627	667	604		644			684		
...RSO B0 ¹⁾	Δ k	0														
...RSO P□ ¹⁾	Δ k	19				20										
	k ₁	132	162	192	183	203	223	263	188		228			268		
	k ₂	66			91				118			145 ²⁾				
...RSO	g	62			89				116							
	k ₅	0			13				14							
	g ₂	□ 62			Ø 67				Ø 72							
	g ₁	76			90				105							
	n ₂	64							78							
	x	21								18						

¹⁾ → 801 - SRS/SRM/ECN/EQN/EQI/C20

²⁾ GSS07: 12DC20 ... 12LC41



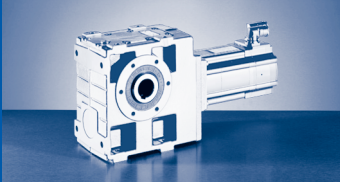
GSS□□-3S HAK

	o	o ₁	p	p ₂	h	h ₁	a	q	k ₈
GSS05...	209	174	205	65	125	80	13	103.5	40
GSS06...	252	203 ¹⁾ 202 ²⁾	250	63	150	100	10	122.5 ¹⁾ 121.5 ²⁾	50 ¹⁾ 49 ²⁾
GSS07...	299	256	310	73	190	120	12	155.5	66

¹⁾ a₂ = 200

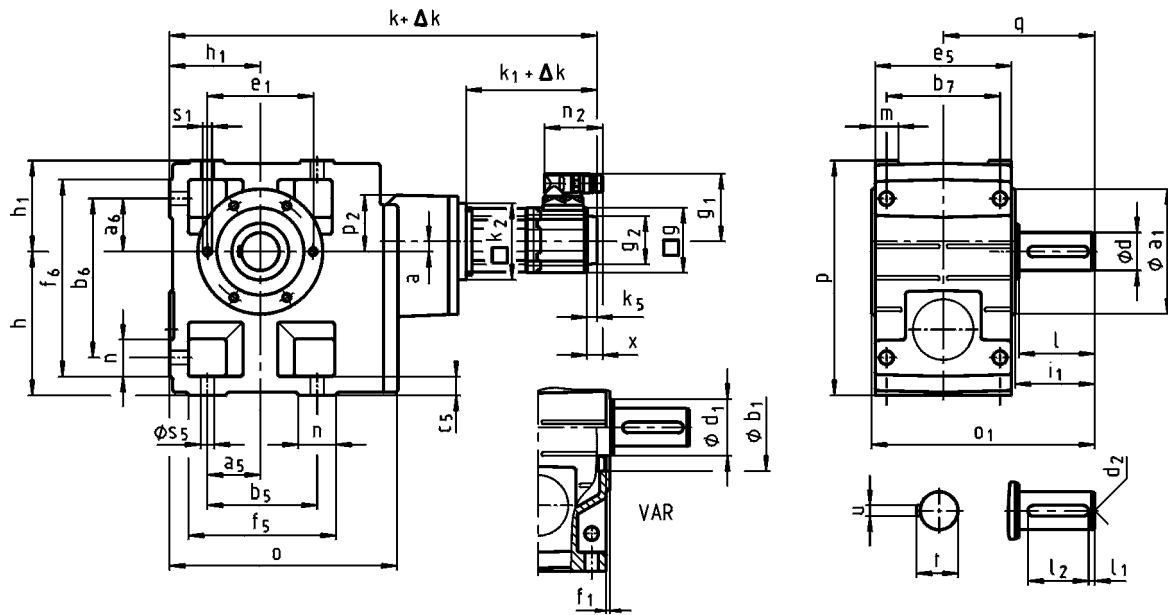
²⁾ a₂ = 250

	d	l	d ₁	l ₁	u	t	a ₂	b ₂	c ₂	e ₂	f ₂	i ₂	s ₂
	H7				JS9	+0,2		j7					
GSS05...	30	140	50	124	8	33.3	200	130	12	165	3.5	33.5	4 x 11
	35				10	38.3							
GSS06...	40	160	65	140	12	43.3	250	180	15	215	4	42.5	4 x 14
	45				14	48.8							
GSS07...	50	200	75	175		53.8	300	230	17	265	4	55.5	4 x 14
	55				16	59.3							



GSS [mm]

GSS□□-3S (MCS)

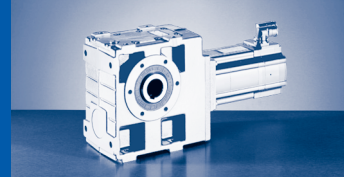


GSS□□-3S V□R ... RSO

		06C C41	06F C41	06I C41	09D C41	09F C38	09H C41	09L C41	12D C20	12D C41	12H C15	12H C30	12H C35	12L C20	12L C41
GSS05...	k	423	453	483	476	496	516	556							
GSS06...	k	480	510	540	533	553	573	613							
GSS07...	k	534	564	594	587	607	627	667	604		644			684	
...RSO B0 ¹⁾	Δk	0													
...RSO P□ ¹⁾	Δk	19				20									
	k_1	132	162	192	183	203	223	263	188			228			268
	k_2	66			91							118			145 ²⁾
	g	62			89							116			
...RSO	k_5	0			13							14			
	g_2	□ 62			Ø 67							Ø 72			
	g_1	76			90							105			
	n_2	64							78						
	x	21										18			

¹⁾ → 801 - SRS/SRM/ECN/EQN/EQI/C20

²⁾ GSS07: 12DC20 ... 12LC41

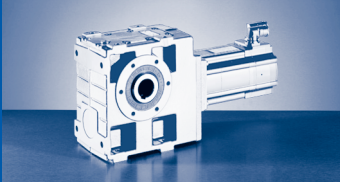


GSS□□-3S V□R

	o	o ₁	p	p ₂	h	h ₁	a	q	a ₅	a ₆	b ₅	b ₆	b ₇	c ₅	e ₅	f ₅	f ₆	m	n	s ₅
GSS05...	209	197	205	65	125	80	13	130	47.5	47.5	95	140	105	17	127	124	169	21	29	11
GSS06...	252	236	250	63	150	100	10	160	60	60	120	170	120	20	145	156	206	23	36	14
GSS07...	299	296	310	73	190	120	12	200	70	70	140	210	150	25	180	185	255	28	45	18

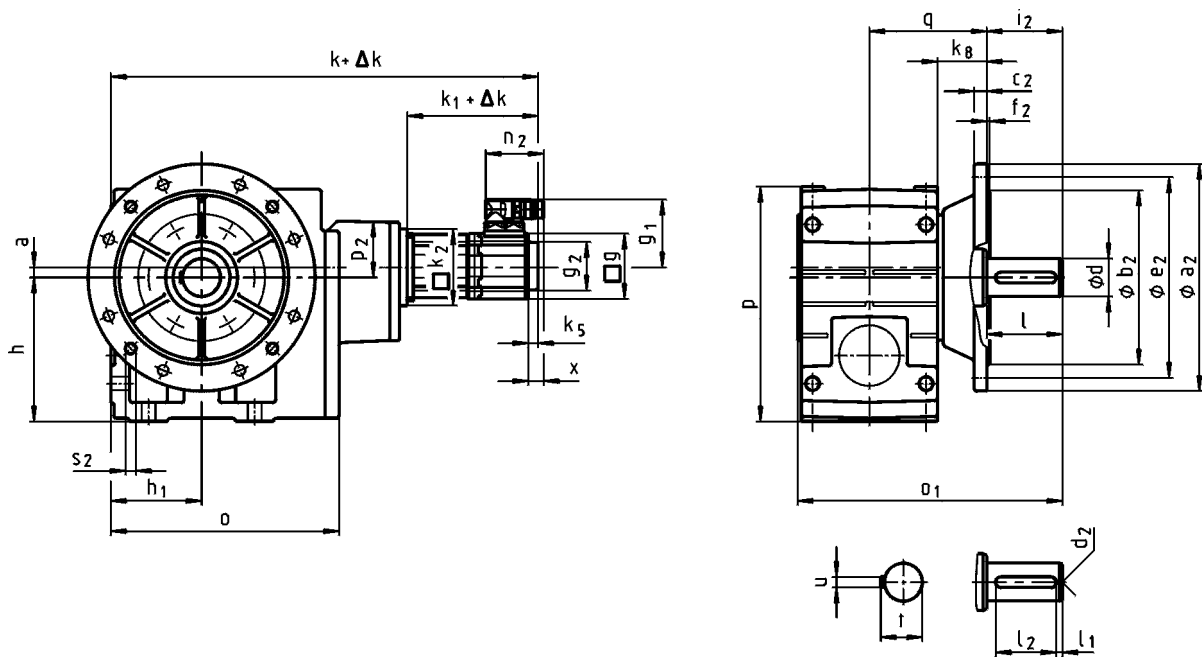
	d	l	d ₁	l ₁	l ₂	d ₂	u	t	a ₁	b ₁	e ₁	f ₁	i ₁	s ₁
										H7				6x60°
GSS05...	30	60	50	6	45	M10	8	33	118	80	100	4	64	M8x15
GSS06...	40	80	65	7	63	M16	12	43	140	100	120		85	M10x16
GSS07...	50	100	75	8	80		14	53.5	165	115	140	5	105	M12x18

d ≤ 50 mm: k6; d > 50 mm: m6



GSS [mm]

GSS□□-3S (MCS)

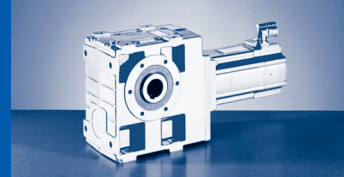


GSS□□-3S VAK ... RSO

		06C C41	06F C41	06I C41	09D C41	09F C38	09H C41	09L C41	12D C20	12D C41	12H C15	12H C30	12H C35	12L C20	12L C41		
GSS05...	k	423	453	483	476	496	516	556									
GSS06...	k	480	510	540	533	553	573	613									
GSS07...	k	534	564	594	587	607	627	667	604		644			684			
...RSO B0 ¹⁾	Δk	0															
...RSO P□ ²⁾	Δk	19				20											
...RSO	k_1	132	162	192	183	203	223	263	188		228			268			
	k_2	66			91						118 145 ²⁾						
	g	62				89						116					
	k_5	0				13						14					
	g_2	□ 62				Ø 67						Ø 72					
	g_1	76				90						105					
	n_2	64				78											
	x	21								18							

1) → 801 - SRS/SRM/ECN/EQN/EQI/C20

2) GSS07: 12DC20 ... 12LC41

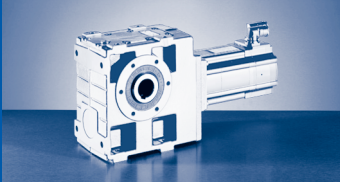


GSS□□-3S VAK

	o	o ₁	p	p ₂	h	h ₁	a	q	k ₈
GSS05...	209	230	205	65	125	80	13	103.5	40
GSS06...	252	277	250	63	150	100	10	121.5	49
GSS07...	299	351	310	73	190	120	12	155.5	66

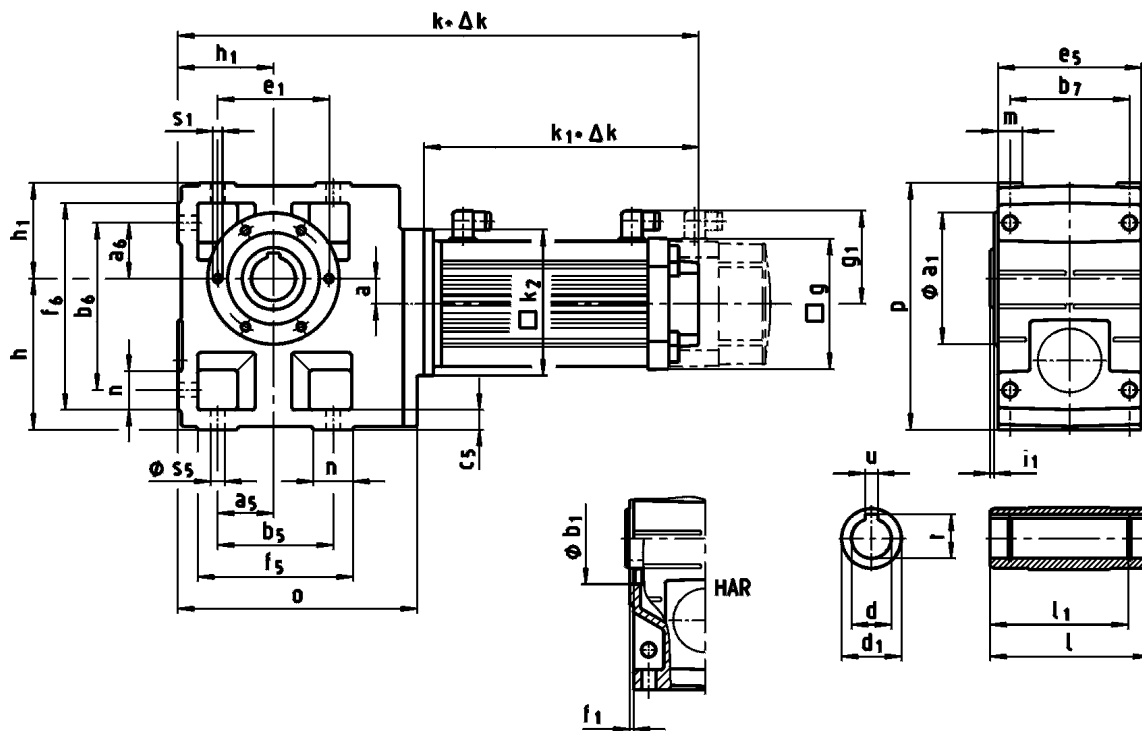
	d	l	l ₁	l ₂	d ₂	u	t	a ₂	b ₂	c ₂	e ₂	f ₂	i ₂	s ₂
GSS05...	30	60	6	45	M10	8	33	200	130	12	165	3.5	60	4 x 11
GSS06...	40	80	7	63	M16	12	43	250	180	15	215	4	80	4 x 14
GSS07...	50	100	8	80		14	53.5						300	

d ≤ 50 mm: k6; d > 50 mm: m6



GSS [mm]

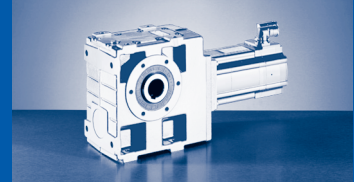
GSS□□-2A (MCA)



GSS□□-2A H□R ... RSO

		10I C40 ...S00	13I C41 ...S00	13I C34 ...F10	14L C20 ...S00	14L C41 ...S00	14L C16 ...F10	14L C35 ...F10	17N C23 ...S00	17N C41 ...S00
GSS04...	k	453	462	530						
GSS05...	k	475	483	551	533		595			
GSS06...	k	515	523	591	573		635		612	
GSS07...	k	558	566	634	616		678		655	
...RSO B0 ¹⁾	Δk	0								
...RSO P□ ¹⁾	Δk	25	35			33			35	
	k_1	258	267	335	307		369		346	
	k_2	145				180				
	g	102	131			142			165	
	g_1	90	102			109			118	

¹⁾ → 803 - SRS/SRM/ECN/EQN/EQI/S20/T20/CDD



GSS□□-2A H□R ... RSO

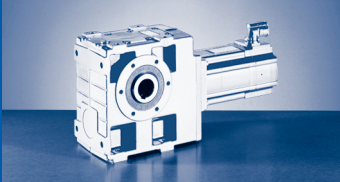
		17N C17 ...F10	17N C35 ...F10	19S C23 ...S00	19S C42 ...S00	19S C17 ...F10	19S C35 ...F10	21X C25 ...S00	21X C42 ...S00	21X C17 ...F10	21X C35 ...F10
GSS06...	k	701				821		802		898	
GSS07...	k	744		724		821		802		898	
...RSO B0 ¹⁾	Δ k	0									
...RSO P□ ¹⁾	Δ k	35		38				42			
	k ₁	435		408		505		479		575	
	k ₂	180				222				265	
	g	165				192				214	
	g ₁	118				161				172	

¹⁾ → 803 - SRS/SRM/ECN/EQN/EQI/S20/T20/CDD

GSS□□-2A H□R

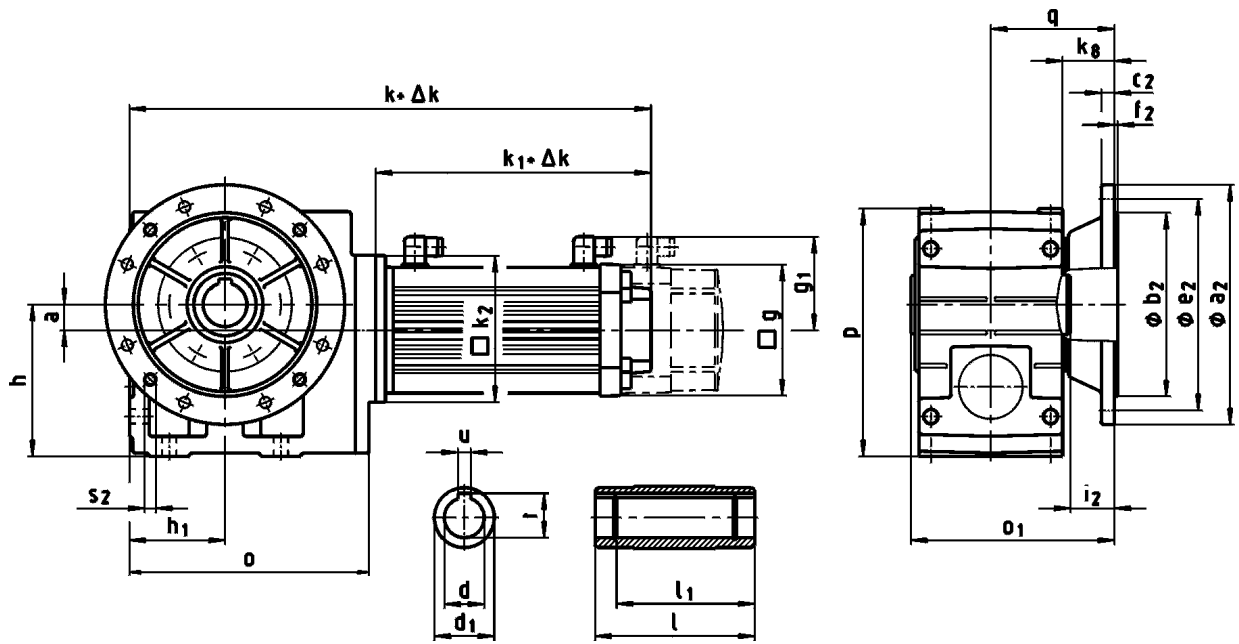
	o	p	h	h ₁	a	a ₅	a ₆	b ₅	b ₆	b ₇	c ₅	e ₅	f ₅	f ₆	m	n	s ₅
GSS04...	181	171	100	71	20	45	45	90	119	85	14	100	112	141	20	22	9
GSS05...	212	205	125	80	23	47.5	47.5	95	140	105	17	127	124	169	21	29	11
GSS06...	255	250	150	100	26	60	60	120	170	120	20	145	156	206	23	36	14
GSS07...	305	310	190	120	33	70	70	140	210	150	25	180	185	255	28	45	18

	d	l	d ₁	l ₁	u	t	a ₁	b ₁	e ₁	f ₁	i ₁	s ₁
	H7				JS9	+0,2		H7				6x60°
GSS04...	25	115	45	100	8	28.3	105	75	90	3	2.5	M6x12
	30					33.3						
GSS05...	35	140	50	124	10	38.3	118	80	100	4	4	M8x15
	40					43.3						
GSS06...	45	160	65	140	14	48.8	140	100	120	5	5	M10x16
	50					53.8						
GSS07...	55	200	75	175	16	59.3	165	115	140	5	5	M12x18



GSS [mm]

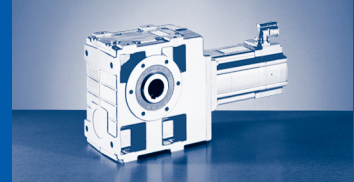
GSS□□-2A (MCA)



GSS□□-2A HAK ... RSO


		10I C40 ...S00	13I C41 ...S00	13I C34 ...F10	14L C20 ...S00	14L C41 ...S00	14L C16 ...F10	14L C35 ...F10	17N C23 ...S00	17N C41 ...S00
GSS04...	k	453	462	530						
GSS05...	k	475	483	551	533		595			
GSS06...	k	515	523	591	573		635		612	
GSS07...	k	558	566	634	616		678		655	
...RSO B0 ¹⁾	Δk	0								
...RSO P□ ¹⁾	Δk	25	35			33			35	
	k_1	258	267	335	307		369		346	
	k_2	145				180				
	g	102	131			142			165	
	g_1	90	102			109			118	

¹⁾ → 803 - SRS/SRM/ECN/EQN/EQI/S20/T20/CDD



GSS□□-2A HAK ... RSO

		17N C17 ...F10	17N C35 ...F10	19S C23 ...S00	19S C42 ...S00	19S C17 ...F10	19S C35 ...F10	21X C25 ...S00	21X C42 ...S00	21X C17 ...F10	21X C35 ...F10
GSS06...	k	701				821		802		898	
GSS07...	k	744		724		821		802		898	
...RSO B0 ¹⁾	Δ k	0									
...RSO P□ ¹⁾	Δ k	35		38				42			
	k ₁	435		408		505		479		575	
	k ₂	180				222				265	
	g	165				192				214	
	g ₁	118				161				172	

¹⁾ →  803 - SRS/SRM/ECN/EQN/EQI/S20/T20/CDD

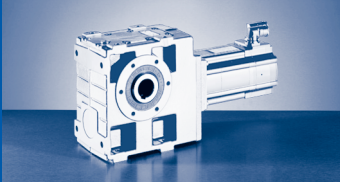
GSS□□-2A HAK

	o	o ₁	p	h	h ₁	a	q	k ₈
GSS04...	181	149	171	100	71	20	91	41
GSS05...	212	174	205	125	80	23	103.5	40
GSS06...	255	203 ²⁾ 202 ³⁾	250	150	100	26	122.5 ²⁾ 121.5 ³⁾	50 ²⁾ 49 ³⁾
GSS07...	305	256	310	190	120	33	155.5	66

²⁾ a₂ = 200

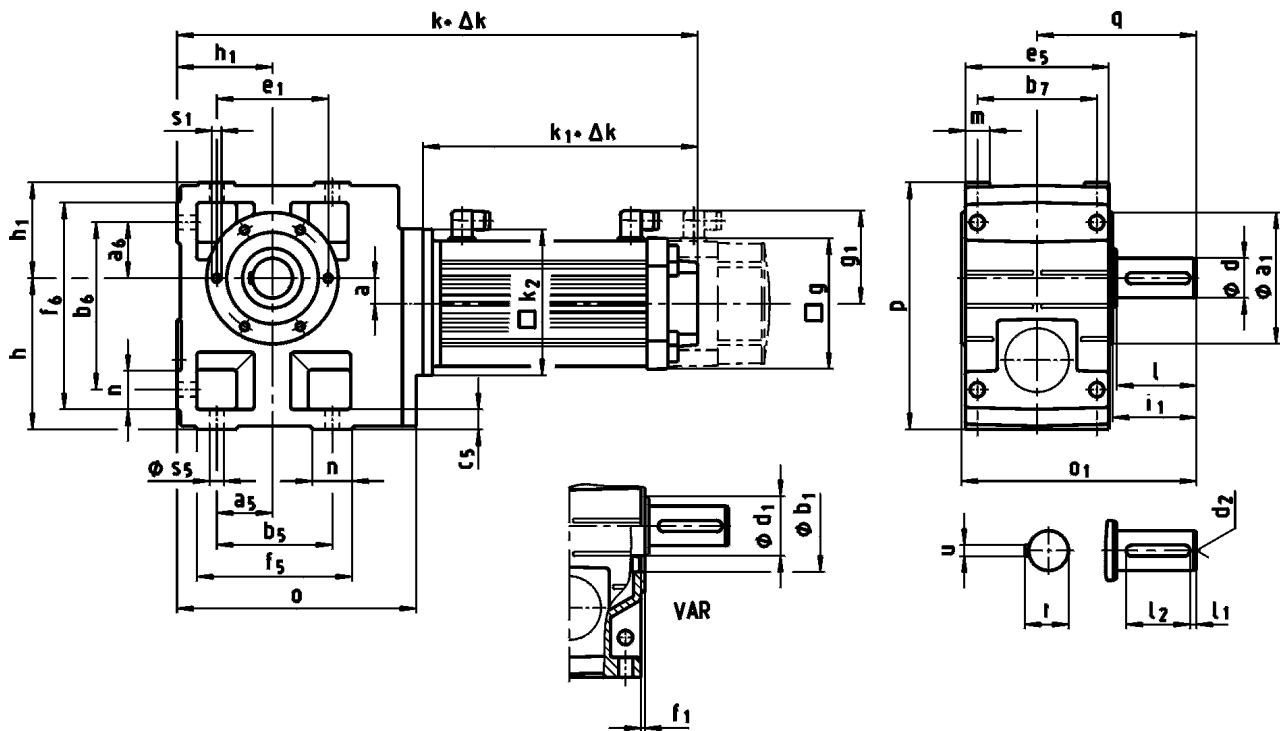
³⁾ a₂ = 250

	d	l	d ₁	l ₁	u	t	a ₂	b ₂	c ₂	e ₂	f ₂	i ₂	s ₂
	H7				JS9	+0,2		j7					
GSS04...	25	115	45	100	8	28.3	160	110	10	130	3.5	33.5	4 x 9
	30					33.3							
GSS05...	35	140	50	124	10	38.3	200	130	12	165	3.5	33.5	4 x 11
	40					43.3							
GSS06...	45	160	65	140	14	48.8	250	180	15	215	4	41.5	4 x 14
	50					53.8							
GSS07...	55	200	75	175	16	59.3	300	230	17	265	4	55.5	4 x 14



GSS [mm]

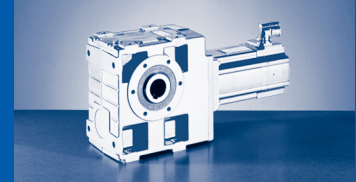
GSS□□-2A (MCA)



GSS□□-2A V□□ ... RSO

		10I C40 ...S00	13I C41 ...S00	13I C34 ...F10	14L C20 ...S00	14L C41 ...S00	14L C16 ...F10	14L C35 ...F10	17N C23 ...S00	17N C41 ...S00
GSS04...	k	453	462	530						
GSS05...	k	475	483	551	533		595			
GSS06...	k	515	523	591	573		635		612	
GSS07...	k	558	566	634	616		678		655	
...RSO B0 ¹⁾	Δk	0								
...RSO P□ ¹⁾	Δk	25	35			33			35	
	k_1	258	267	335	307		369		346	
	k_2	145				180				
	g	102	131			142			165	
	g_1	90	102			109			118	

¹⁾ → 803 - SRS/SRM/ECN/EQN/EQI/S20/T20/CDD



GSS□□-2A V□R ... RSO

		17N C17 ...F10	17N C35 ...F10	19S C23 ...S00	19S C42 ...S00	19S C17 ...F10	19S C35 ...F10	21X C25 ...S00	21X C42 ...S00	21X C17 ...F10	21X C35 ...F10
GSS06...	k	701				821		802		898	
GSS07...	k	744		724		821		802		898	
...RSO B0 ¹⁾	Δ k	0									
...RSO P□ ¹⁾	Δ k	35		38				42			
	k ₁	435		408		505		479		575	
	k ₂	180				222				265	
	g	165				192				214	
	g ₁	118				161				172	

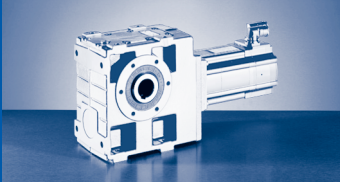
¹⁾ → 803 - SRS/SRM/ECN/EQN/EQI/S20/T20/CDD

GSS□□-2A V□R

	o	o ₁	p	h	h ₁	a	q	a ₅	a ₆	b ₅	b ₆	b ₇	c ₅	e ₅	f ₅	f ₆	m	n	s ₅
GSS04...	181	163	171	100	71	20	107.5	45	45	90	119	85	14	100	112	141	20	22	9
GSS05...	212	197	205	125	80	23	130	47.5	47.5	95	140	105	17	127	124	169	21	29	11
GSS06...	255	236	250	150	100	26	160	60	60	120	170	120	20	145	156	206	23	36	14
GSS07...	305	296	310	190	120	33	200	70	70	140	210	150	25	180	185	255	28	45	18

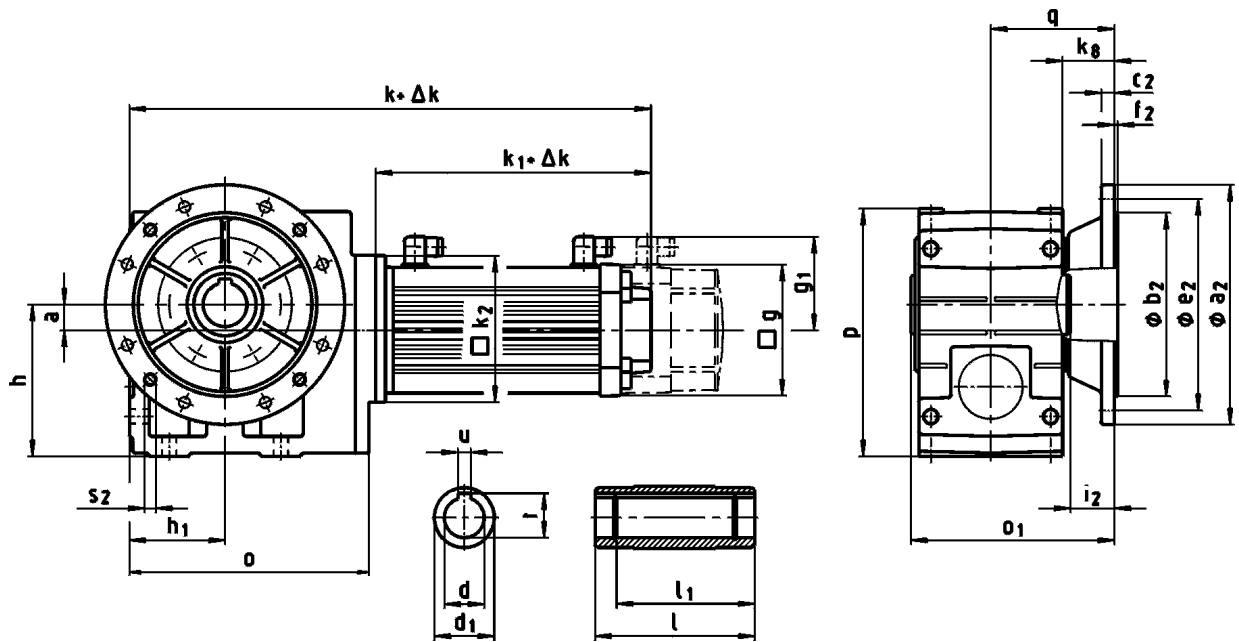
	d	l	d ₁	l ₁	l ₂	d ₂	u	t	a ₁	b ₁	e ₁	f ₁	i ₁	s ₁
										H7				6x60°
GSS04...	25	50	45	4	40	M10	8	28	105	75	90	3	52.5	M6x12
GSS05...	30	60	50	6	45			33	118	80	100	4	64	M8x15
GSS06...	40	80	65	7	63	M16	14	43	140	100	120	5	85	M10x16
GSS07...	50	100	75	8	80			53.5	165	115	140	5	105	M12x18

d ≤ 50 mm: k6; d > 50 mm: m6



GSS [mm]

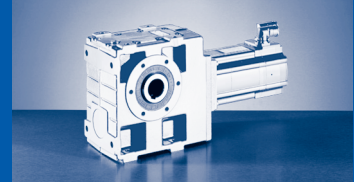
GSS□□-2A (MCA)



GSS□□-2A VAK ... RSO

		10I C40 ...S00	13I C41 ...S00	13I C34 ...F10	14L C20 ...S00	14L C41 ...S00	14L C16 ...F10	14L C35 ...F10	17N C23 ...S00	17N C41 ...S00
GSS04...	k	453	462	530						
GSS05...	k	475	483	551	533		595			
GSS06...	k	515	523	591	573		635		612	
GSS07...	k	558	566	634	616		678		655	
...RSO B0 ¹⁾	Δk	0								
...RSO P□ ¹⁾	Δk	25	35			33			35	
	k_1	258	267	335	307		369		346	
	k_2	145				180				
	g	102	131			142			165	
	g_1	90	102			109			118	

¹⁾ → 803 - SRS/SRM/ECN/EQN/EQI/S20/T20/CDD



GSS□□-2A VAK ... RSO

		17N C17 ...F10	17N C35 ...F10	19S C23 ...S00	19S C42 ...S00	19S C17 ...F10	19S C35 ...F10	21X C25 ...S00	21X C42 ...S00	21X C17 ...F10	21X C35 ...F10
GSS06...	k	701				821		802		898	
GSS07...	k	744		724		821		802		898	
...RSO B0 ¹⁾	Δk	0									
...RSO P□ ¹⁾	Δk	35		38				42			
	k ₁	435		408		505		479		575	
	k ₂	180				222				265	
	g	165				192				214	
	g ₁	118				161				172	

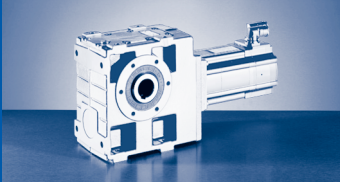
¹⁾ → 803 - SRS/SRM/ECN/EQN/EQI/S20/T20/CDD

GSS□□-2A VAK

	o	o ₁	p	h	h ₁	a	q	k ₈
GSS04...	181	196	171	100	71	20	91	41
GSS05...	212	230	205	125	80	23	103.5	40
GSS06...	255	277	250	150	100	26	121.5	49
GSS07...	305	351	310	190	120	33	155.5	66

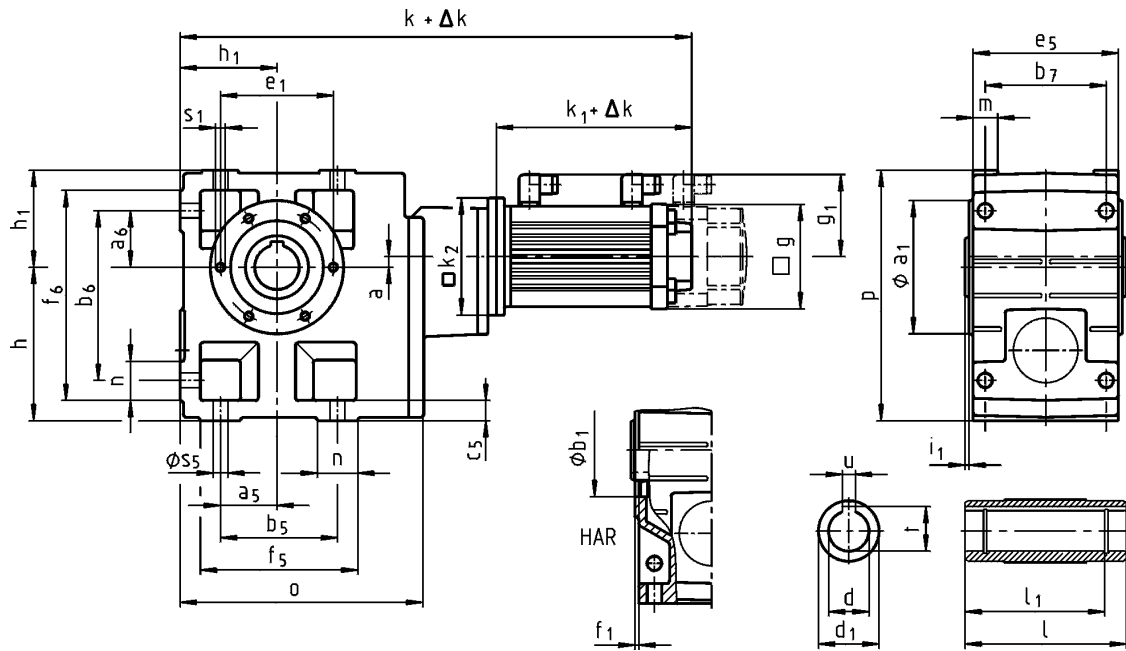
	d	l	l ₁	l ₂	d ₂	u	t	a ₂	b ₂	c ₂	e ₂	f ₂	i ₂	s ₂
GSS04...	25	50	4	40	M10	8	28	160	110	10	130	3.5	50	4 x 9
GSS05...	30	60	6	45			33	200	130	12	165		60	4 x 11
GSS06...	40	80	7	63	M16	14	43	250	180	15	215	4	80	4 x 14
GSS07...	50	100	8	80			53.5						300	

d ≤ 50 mm: k6; d > 50 mm: m6



GSS [mm]

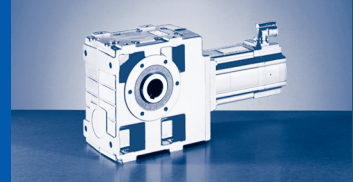
GSS□□-3A (MCA)



GSS□□-3A H□R ... RSO

		10I C40 ...S00	13I C41 ...S00	13I C34 ...F10	14L C20 ...S00	14L C41 ...S00	14L C16 ...F10	14L C35 ...F10
GSS05...	k	551	560	628				
GSS06...	k	608	617	685				
GSS07...	k	662	671	739		721		783
...RSO B0 ¹⁾	Δk	0						
...RSO P□ ¹⁾	Δk		35			33		
	k_1	258	267	335		307		369
	k_2		145			180		
	g	102		131		142		
	g_1	90		102		109		

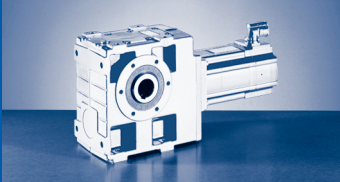
¹⁾ → 803 - SRS/SRM/ECN/EQN/EQI/S20/T20/CDD



GSS□□-3A H□R

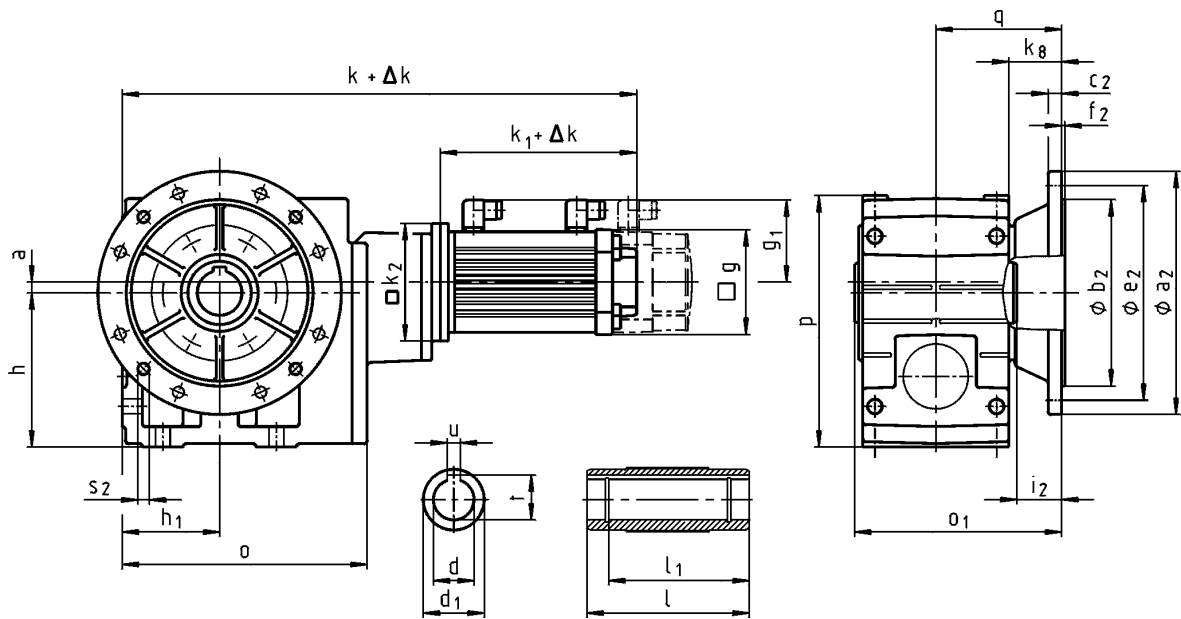
	o	p	h	h ₁	a	a ₅	a ₆	b ₅	b ₆	b ₇	c ₅	e ₅	f ₅	f ₆	m	n	s ₅
GSS05...	209	205	125	80	13	47.5	47.5	95	140	105	17	127	124	169	21	29	11
GSS06...	252	250	150	100	10	60	60	120	170	120	20	145	156	206	23	36	14
GSS07...	299	310	190	120	12	70	70	140	210	150	25	180	185	255	28	45	18

	d	l	d ₁	l ₁	u	t	a ₁	b ₁	e ₁	f ₁	i ₁	s ₁
	H7				JS9	+0,2		H7				6x60°
GSS05...	30	140	50	124	8	33.3	118	80	100	4	4	M8x15
	35				10	38.3						
GSS06...	40	160	65	140	12	43.3	140	100	120		5	M10x16
	45				14	48.8						
GSS07...	50	200	75	175	14	53.8	165	115	140	5	M12x18	
	55				16	59.3						



GSS [mm]

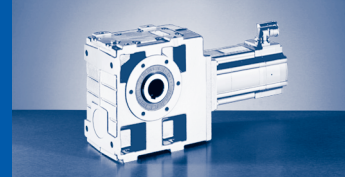
GSS□□-3A (MCA)



GSS□□-3A HAK ... RSO

		10I C40 ...S00	13I C41 ...S00	13I C34 ...F10	14L C20 ...S00	14L C41 ...S00	14L C16 ...F10	14L C35 ...F10
GSS05...	k	551	560	628				
GSS06...	k	608	617	685				
GSS07...	k	662	671	739		721		783
...RSO B0 ¹⁾	Δk				0			
...RSO P□ ¹⁾	Δk	25		35			33	
	k_1	258	267	335		307		369
	k_2		145				180	
	g	102		131			142	
	g_1	90		102			109	

¹⁾ → 803 - SRS/SRM/ECN/EQN/EQI/S20/T20/CDD



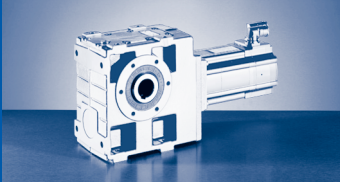
GSS□□-3A HAK

	o	o ₁	p	h	h ₁	a	q	k ₈
GSS05...	209	174	205	125	80	13	103.5	40
GSS06...	252	203 ¹⁾ 202 ²⁾	250	150	100	10	122.5 ¹⁾ 121.5 ²⁾	50 ¹⁾ 49 ²⁾
GSS07...	299	256	310	190	120	12	155.5	66

¹⁾ a₂ = 200

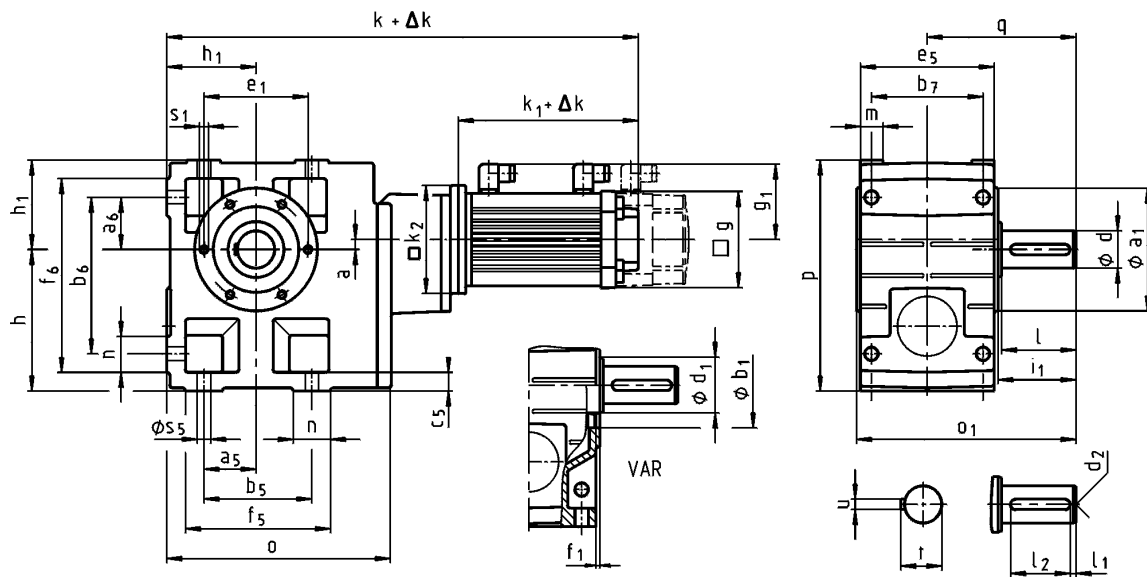
²⁾ a₂ = 250

	d	l	d ₁	l ₁	u	t	a ₂	b ₂	c ₂	e ₂	f ₂	i ₂	s ₂
	H7				JS9	+0,2		j7					
GSS05...	30	140	50	124	8	33.3	200	130	12	165	3.5	33.5	4 x 11
	35				10	38.3							
GSS06...	40	160	65	140	12	43.3	250	180	15	215	4	42.5	4 x 14
	45				14	48.8							
GSS07...	50	200	75	175		53.8	300	230	17	265	4	55.5	4 x 14
	55				16	59.3							



GSS [mm]

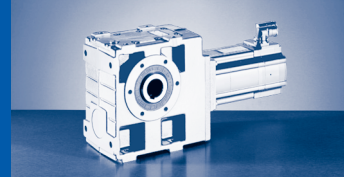
GSS□□-3A (MCA)



GSS□□-3A V□R ... RSO

		10I C40 ...S00	13I C41 ...S00	13I C34 ...F10	14L C20 ...S00	14L C41 ...S00	14L C16 ...F10	14L C35 ...F10
GSS05...	k	551	560	628				
GSS06...	k	608	617	685				
GSS07...	k	662	671	739	721		783	
...RSO B0 ¹⁾	Δk	0						
...RSO P□ ¹⁾	Δk	25	35			33		
	k_1	258	267	335	307		369	
	k_2	145				180		
	g	102	131			142		
	g_1	90	102			109		

¹⁾ → 803 - SRS/SRM/ECN/EQN/EQI/S20/T20/CDD

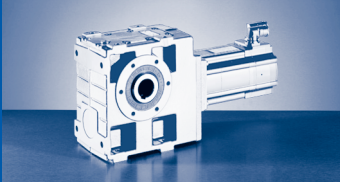


GSS□□-3A V□R

	o	o ₁	p	h	h ₁	a	q	a ₅	a ₆	b ₅	b ₆	b ₇	c ₅	e ₅	f ₅	f ₆	m	n	s ₅
GSS05...	209	197	205	125	80	13	130	47.5	47.5	95	140	105	17	127	124	169	21	29	11
GSS06...	252	236	250	150	100	10	160	60	60	120	170	120	20	145	156	206	23	36	14
GSS07...	299	296	310	190	120	12	200	70	70	140	210	150	25	180	185	255	28	45	18

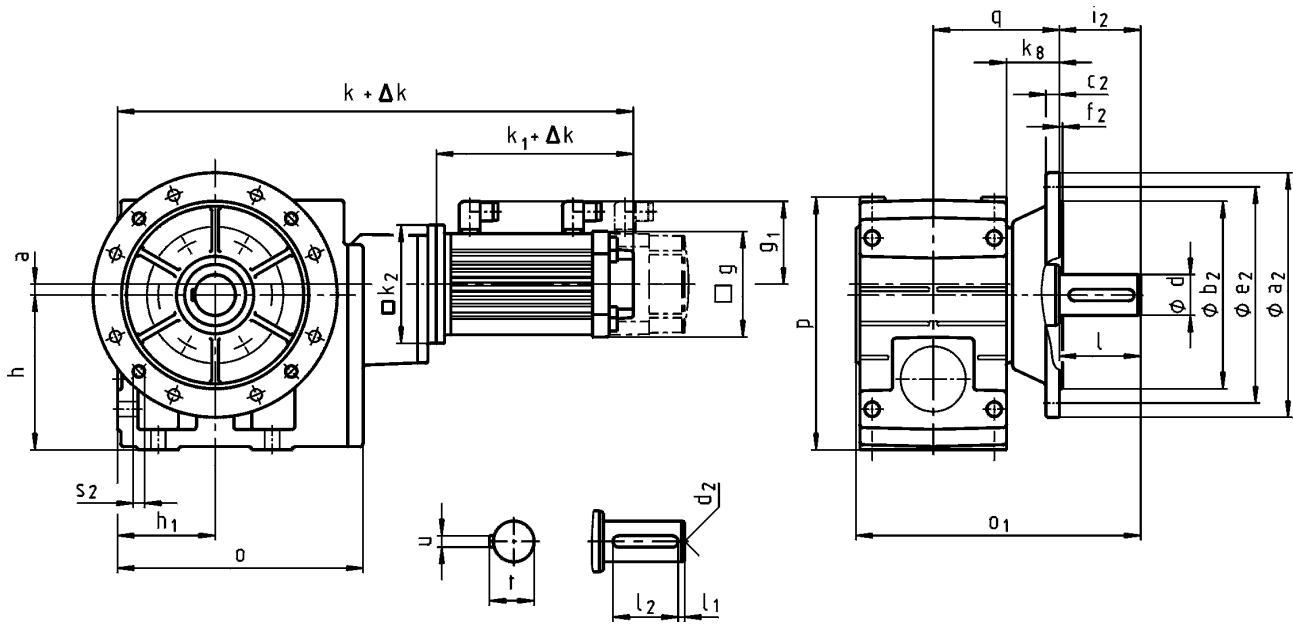
	d	l	d ₁	l ₁	l ₂	d ₂	u	t	a ₁	b ₁	e ₁	f ₁	i ₁	s ₁
										H7				6x60°
GSS05...	30	60	50	6	45	M10	8	33	118	80	100	4	64	M8x15
GSS06...	40	80	65	7	63	M16	12	43	140	100	120		85	M10x16
GSS07...	50	100	75	8	80		14	53.5	165	115	140	5	105	M12x18

d ≤ 50 mm: k6; d > 50 mm: m6



GSS [mm]

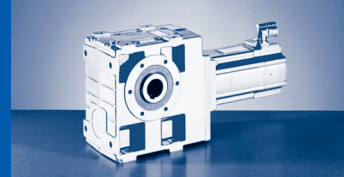
GSS□□-3A (MCA)



GSS□□-3A VAK ... RSO

		10I C40 ...S00	13I C41 ...S00	13I C34 ...F10	14L C20 ...S00	14L C41 ...S00	14L C16 ...F10	14L C35 ...F10
GSS05...	k	551	560	628				
GSS06...	k	608	617	685				
GSS07...	k	662	671	739		721		783
...RSO B0 ¹⁾	Δk	0						
...RSO P□ ¹⁾	Δk	25	35			33		
	k_1	258	267	335	307		369	
	k_2	145			180			
	g	102	131		142			
	g_1	90	102		109			

¹⁾ → 803 - SRS/SRM/ECN/EQN/EQI/S20/T20/CDD

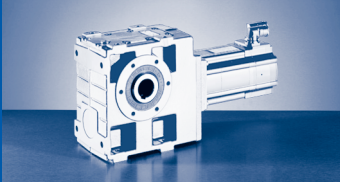


GSS□□-3A VAK

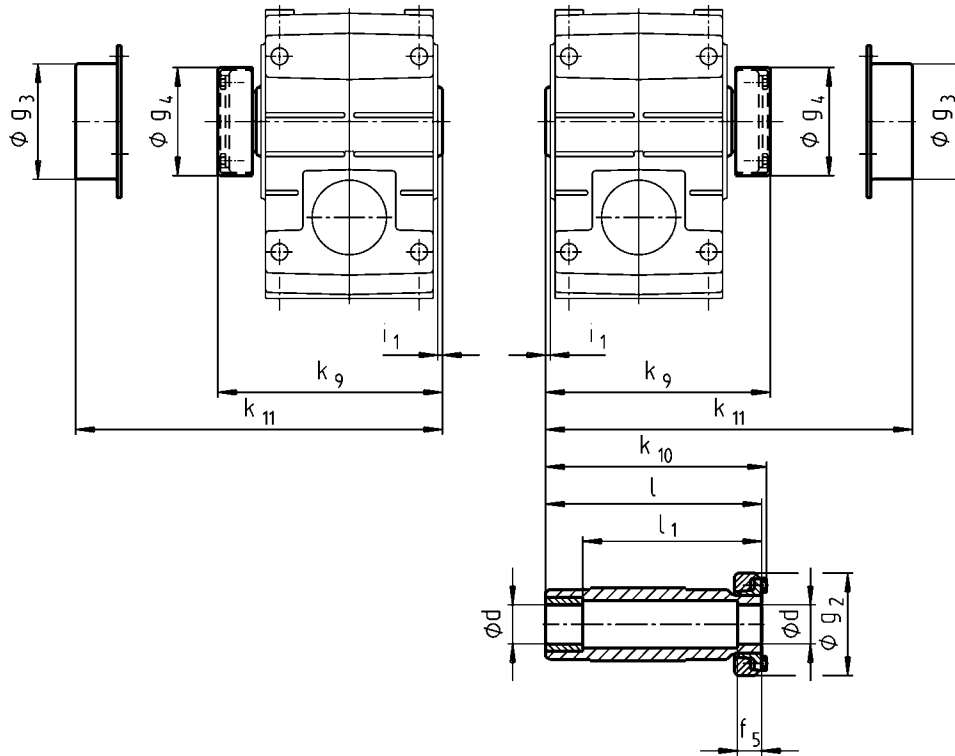
	o	o ₁	p	h	h ₁	a	q	k ₈
GSS05...	209	230	205	125	80	13	103.5	40
GSS06...	252	277	250	150	100	10	121.5	49
GSS07...	299	351	310	190	120	12	155.5	66

	d	l	l ₁	l ₂	d ₂	u	t	a ₂	b ₂	c ₂	e ₂	f ₂	i ₂	s ₂
GSS05...	30	60	6	45	M10	8	33	200	130	12	165	3.5	60	4 x 11
GSS06...	40	80	7	63	M16	12	43	250	180	15	215	4	80	4 x 14
GSS07...	50	100	8	80		14	53.5						300	

d ≤ 50 mm: k6; d > 50 mm: m6

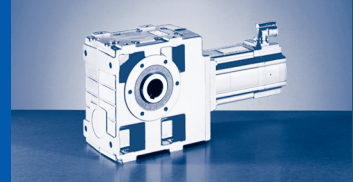


Hollow shaft with shrink disc

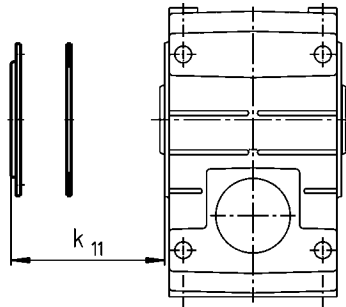


	Machine shaft	Hollow shaft with shrink disc						Protective cap		Cover	
	d	i_1	k_{10}	g_2	l	l_1	f_5	k_9	g_4	k_{11}	g_3
	h6										
GSS04...	25 30	2.5	148	72	142	122	26	150	76	154	79
GSS05...	35	4	174	80	168	148	28	176	84	179	90
GSS06...	40	5	200	90	194	164	30	202	94	204	100
GSS07...	50		238	110	232	192	26	241	116	244	124

- ▶ Ensure that the strength of the shaft material is adequate in shrink disc designs.
When using typical steels (e.g. C45, 42CrMo4), the torques listed in the selection tables can be used without restriction. When using material that is considerably weaker, please consult us. Medium surface roughness R_z must not exceed $15 \mu\text{m}$ (turning operation is sufficient).

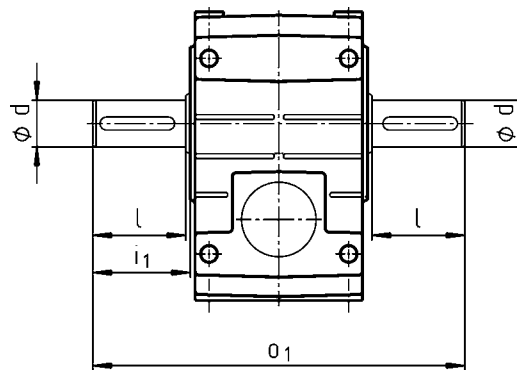


Hoseproof hollow shaft cover

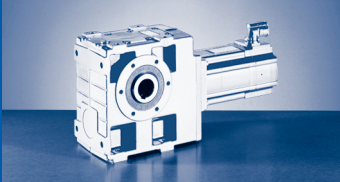


	Cover including seal
	k_{11}
GSS04...	9
GSS05...	10
GSS06...	11
GSS07...	

Gearbox with 2nd output shaft end

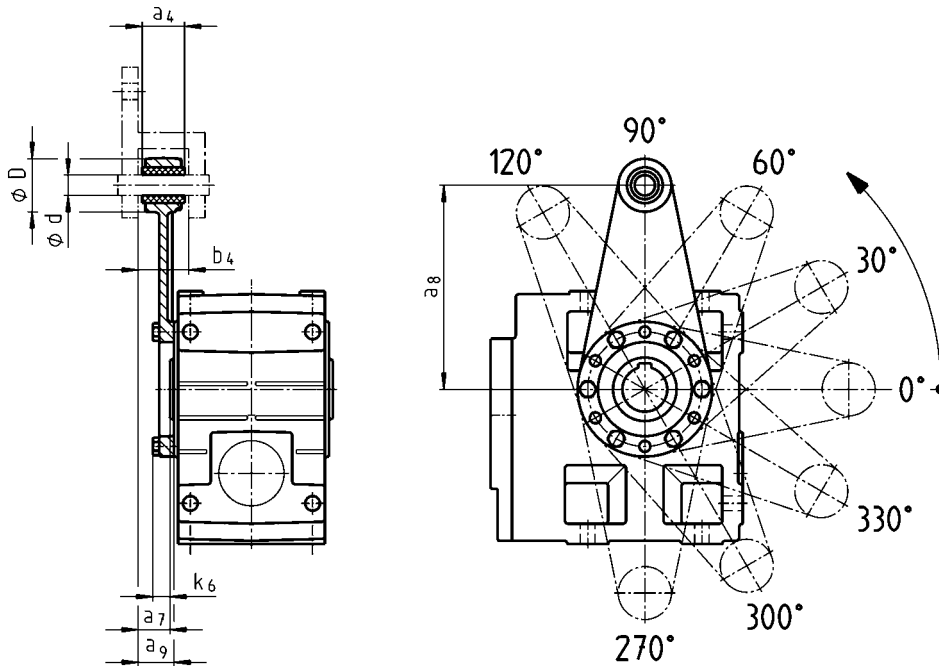


	d	l	i_1	o_1
GSS04...	25	50	52.5	215
GSS05...	30	60	64	260
GSS06...	40	80	85	320
GSS07...	50	100	105	400

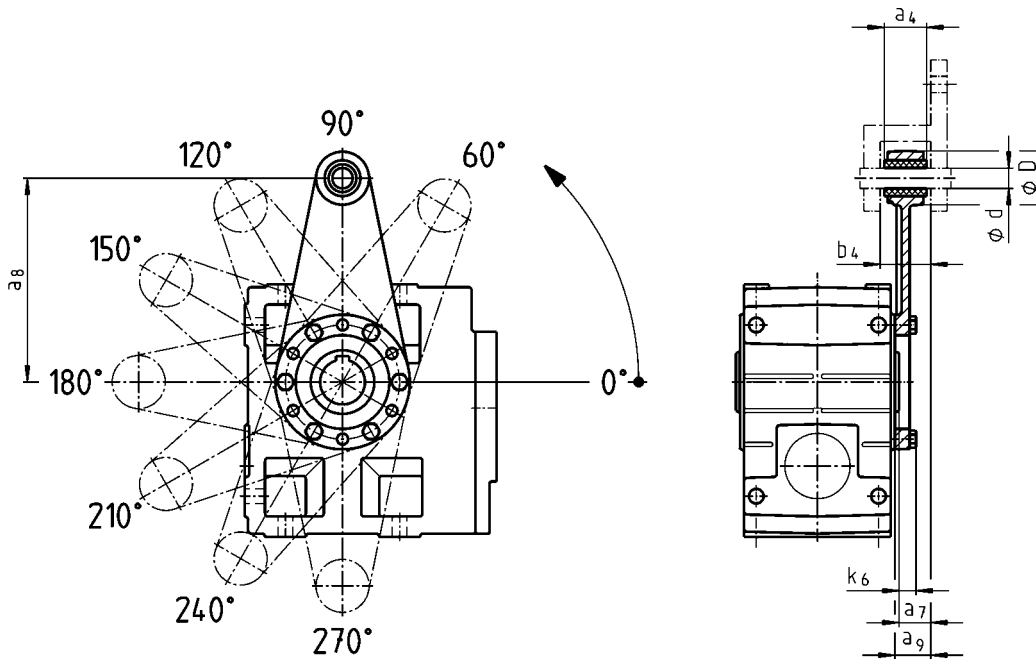


GSS & [mm]

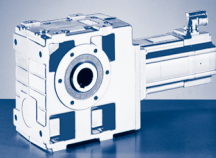
Torque plate at threaded pitch circle in position 3



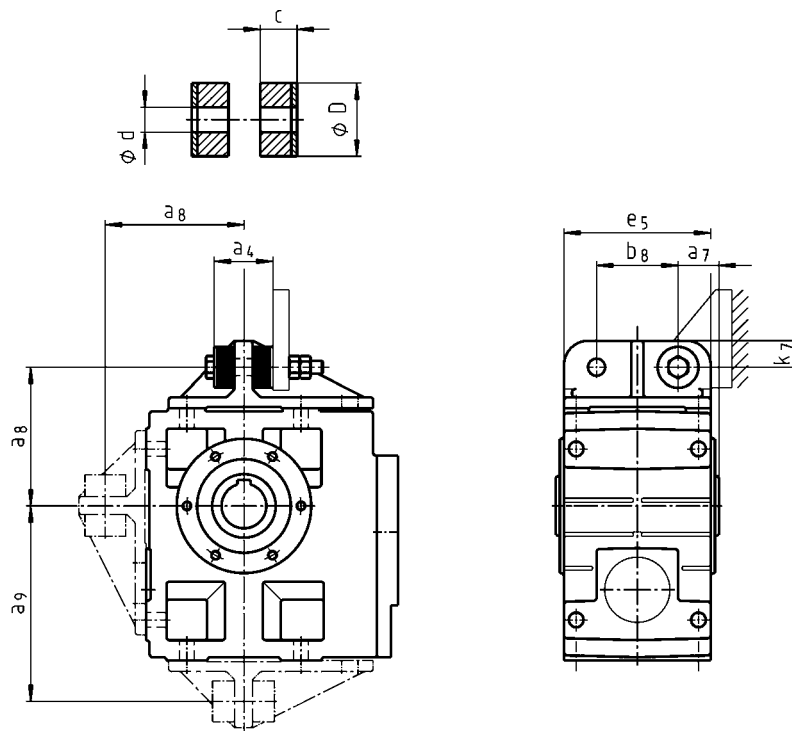
Torque plate at threaded pitch circle in position 5



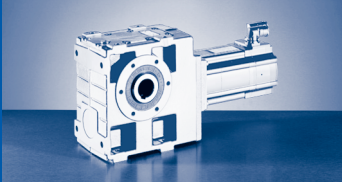
	Installation space							
	a ₇	b ₄	a ₄	a ₈	a ₉	d	D	k ₆
GSS04...	24	34.5	30	130	26.5	12	35	16
GSS05...	23.5	38.5	34	160	27.5	16	45	15
GSS06...	28	44.5	40	200	33	20	50	18
GSS07...	32.5	50.5	46	250	37.5	25	65	21



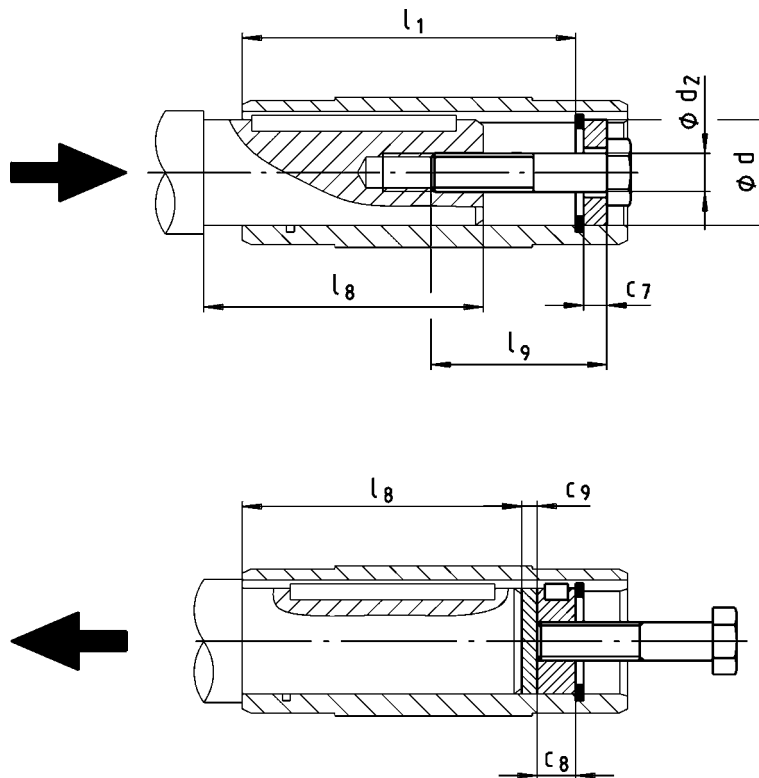
Torque plate at casing foot in position 2, 4 or 6



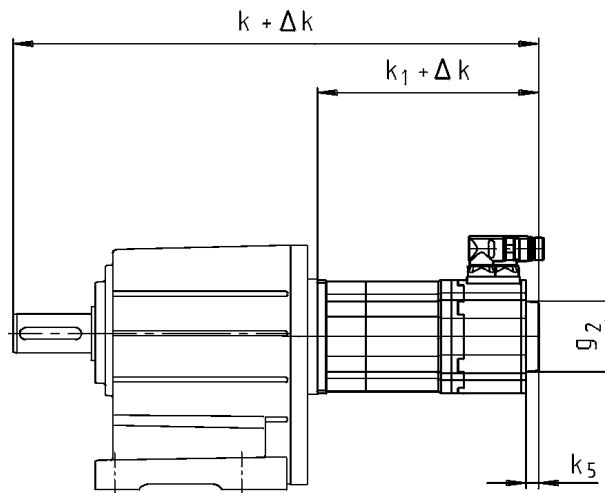
	a_4	a_7	a_8	a_9	b_8	c	d	D	e_5	k_7
GSS04...	41	27.5	106	135	60	14.5	11	30	100	20
GSS05...	45	35	115	160	70	15	13	40	127	25
GSS06...	72	40	145	195	80	27	17	50	145	28
GSS07...	78	50	170	240	100	28	21	60	180	35



Mounting set for hollow shaft circlip
Proposed design for auxiliary tools



	Hollow shaft		Hollow shaft circlip mounting set (Assembly auxiliaries)			Auxiliary tools Disassembly		Machine shaft
	d	l ₁	d ₂	l ₉	c ₇	c ₈	c ₉	max l ₈
	H7							
GSS04...	25	100	M10	40	5	10	3	85
GSS05...	30				6			
	35	124	M12	50	7	12		107
GSS06...	40	140	M16	60	8	16	4	118
	45				9			
GSS07...	50	175	M20	80	10	20	5	148
	55				11			



G□□...SRS / SRM / ECN / EQN / EQI / C20

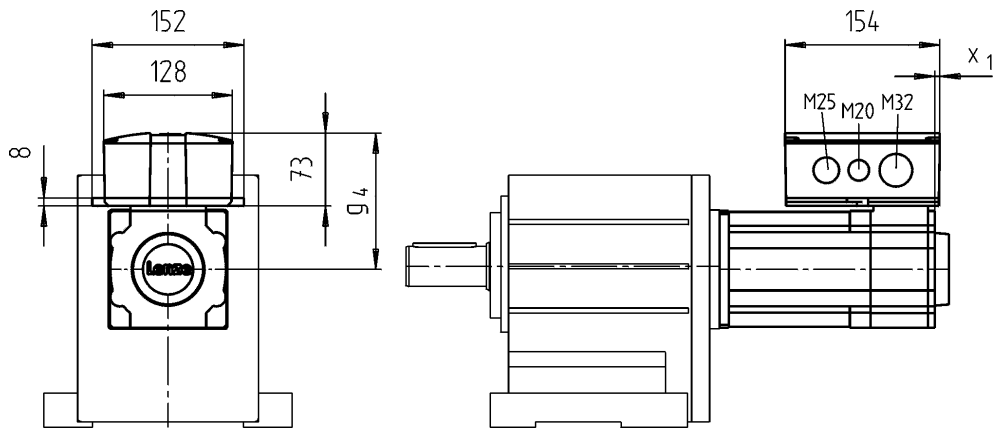
		06C □41	06F □41	06I □41	09D □41	09F □38	09H □41	09L □41	12D □20	12D □41	12H □15	12H □30	12H □35	12L □20	12L □41
...SRS/SRM/ECN B0 ...EQN/EQI/C20 B0	Δ k	82			51			49							
...SRS/SRM/ECN P□ ...EQN/EQI/C20 P□	Δ k	100			71			69							
...S□□/E□□/C20	g ₂	□ 86			Ø 81			Ø 89							
...SR□ / E□□ / C40	k ₅	82			64			63							

		14D □15	14D □36	14H □15	14H □32	14L □15	14L □32	14P □14	14P □32	19F □14	19F □30	19J □14	19J □30	19P □14	19P □30	
...SRS/SRM/ECN B0 ...EQN/EQI/C20 B0	Δ k	50						49								
...SRS/SRM/ECN P□ ...EQN/EQI/C20 P□	Δ k	78						83		93						
...S□□/E□□/C20	g ₂	Ø 101														
...SR□ / E□□ / C40	k ₅	74						64								

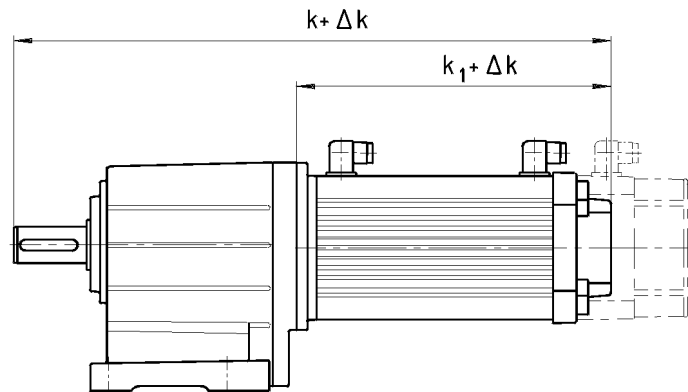


MCS & [mm]

Terminal box for motor connection



	09D □41	09F □38	09H □41	09L □41	12D □20	12D □41	12H □15	12H □30	12H □35	12L □20	12L □41			
g ₄	121				136									
x ₁	8				5									
	14D □15	14D □36	14H □15	14H □32	14L □15	14L □32	14P □14	14P □32	19F □14	19F □30	19J □14	19J □30	19P □14	19P □30
g ₄	147							172						
x ₁								3						



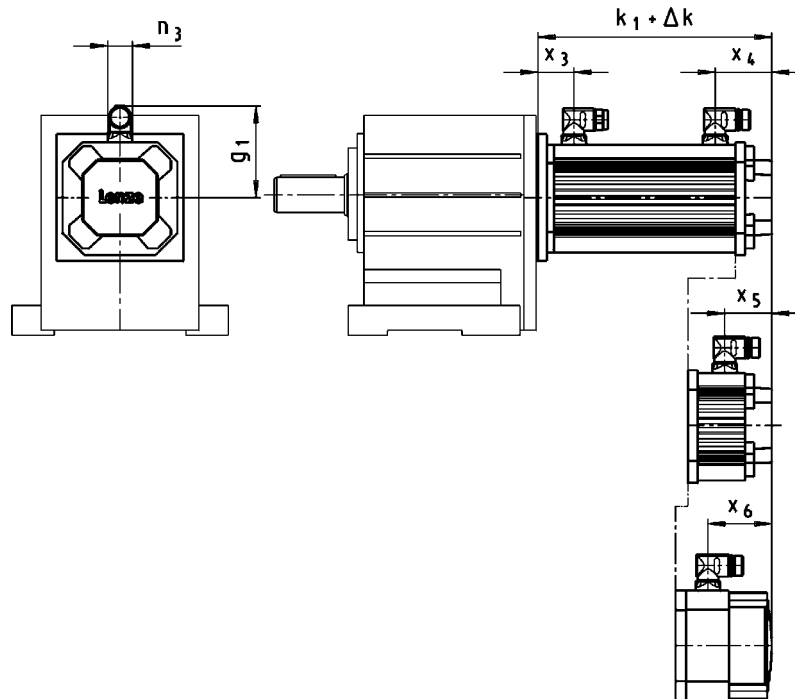
G□□...SRS / SRM / ECN / EQN / EQI / S20 / T20 / CDD

		10I □40 ...S00	13I □41 ...S00	13I □34 ...F10	14L □20 ...S00	14L □41 ...S00	14L □16 ...F10	14L □35 ...F10	17N □23 ...S00	17N □41 ...S00	
...SRS/SRM/ECN/EQN B0 ...EQI/S20/T20/CDD B0	Δ k	54			55			54			
...SRS/SRM/ECN/EQN P□ ...EQI/S20/T20/CDD P□	Δ k	79	89		88			89			
		17N □17 ...F10	17N □35 ...F10	19S □23 ...S00	19S □42 ...S00	19S □17 ...F10	19S □35 ...F10	21X □25 ...S00	21X □42 ...S00	21X □17 ...F10	21X □35 ...F10
...SRS/SRM/ECN/EQN B0 ...EQI/S20/T20/CDD B0	Δ k	54		50			49				
...SRS/SRM/ECN/EQN P□ ...EQI/S20/T20/CDD P□	Δ k	89		88			91				



MCA & [mm]

Connectors for motor connection



GST/GFL/GKR/GKS/GSS□□-□A

		10I C40 ...S00	13I C41 ...S00	13I C34 ...F10	14L C20 ...S00	14L C41 ...S00	14L C16 ...F10	14L C35 ...F10	17N C23 ...S00	17N C41 ...S00	
	k_1	258	267	335	307		369		346		
	g_1	90	102		109				118		
	n_3					28					
	x_6	-		73	-		67		-		
...RSO B0	Δk					0					
	x_3	33	41		46				49		
	x_4	61	65	133	73	135		73			
...RSO P□	Δk	25	35		33				35		
	x_3	55	68		73				81		
	x_4	61	65	133	73	135		73			
...SRS/SRM/ECN/EQN B0 ...EQI/S20/T20/CDD B0	Δk	54			55				54		
	x_3	33	41		46				49		
	x_4	-	119	187	127	189		127			
	x_5	54			-						
...SRS/SRM/ECN/EQN P□ ...EQI/S20/T20/CDD P□	Δk	79	89		88				89		
	x_3	55	68		73				81		
	x_4	-	119	187	127	189		127			
	x_5	54			-						



Connectors for motor connection

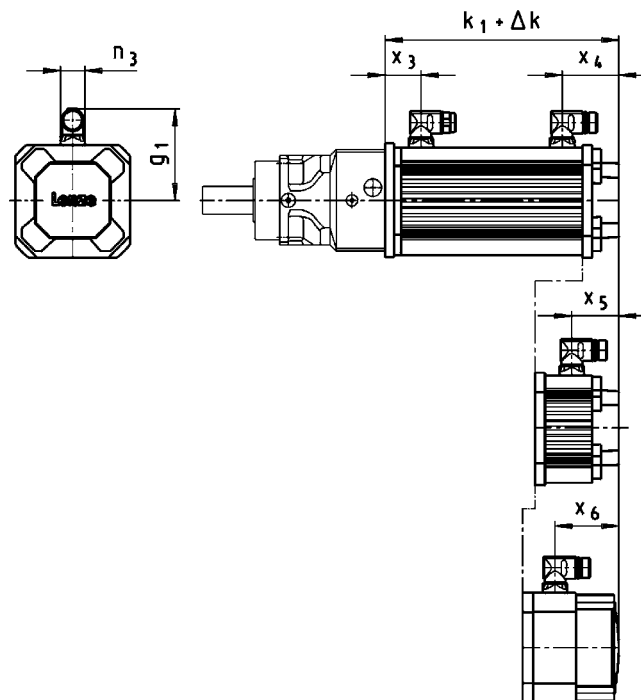
GST/GFL/GKR/GKS/GSS□□-□A

		17N C17 ...F10	17N C35 ...F10	19S C23 ...S00	19S C42 ...S00	19S C17 ...F10	19S C35 ...F10	21X C25 ...S00	21X C42 ...S00	21X C17 ...F10	21X C35 ...F10
	k_1	435		408		505		479		575	
	g_1	118			161				172		
	n_3	28					45				
	x_6	95		-		103		-		96	
...RSO B0	Δk					0					
	x_3	49			63				71		
	x_4	162		73		170		78		174	
...RSO P□	Δk	35			38				42		
	x_3	81			98				111		
	x_4	162		73		170		78		174	
...SRS/SRM/ECN/EQN B0 ...EQI/S20/T20/CDD B0	Δk	54			50				49		
	x_3	49			63				71		
	x_4	216		123		220		126		222	
	x_5					-					
...SRS/SRM/ECN/EQN P□ ...EQI/S20/T20/CDD P□	Δk	89			88				91		
	x_3	81			98				111		
	x_4	216		123		220		126		222	
	x_5					-					



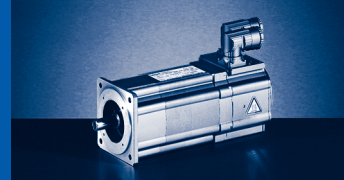
MCA & [mm]

Connectors for motor connection



GPA□□-□A

		10I N40 ...S00	13I N41 ...S00	13I N34 ...F10	14L N20 ...S00	14L N41 ...S00	14L N16 ...F10	14L N35 ...F10	17N N23 ...S00	17N N41 ...S00	
	k_1	262	271	339	302		364		340		
	g_1	90	102		109				118		
	n_3					28					
	x_6	-		73	-		67		-		
...RSO B0	Δk					0					
	x_3	37	45		41				43		
	x_4	61	65	133	73	135		73			
...RSO P□	Δk	25	35		33				35		
	x_3	59	72		68				75		
	x_4	61	65	133	73	135		73			
...SRS/SRM/ECN/EQN B0 ...EQI/S20/T20/CDD B0	Δk	54		55				54			
	x_3	37	45		41				43		
	x_4	-	119	187	127	189		127			
	x_5	54				-					
...SRS/SRM/ECN/EQN P□ ...EQI/S20/T20/CDD P□	Δk	79	89		88				89		
	x_3	59	72		68				75		
	x_4	-	119	187	127	189		127			
	x_5	54				-					



Connectors for motor connection

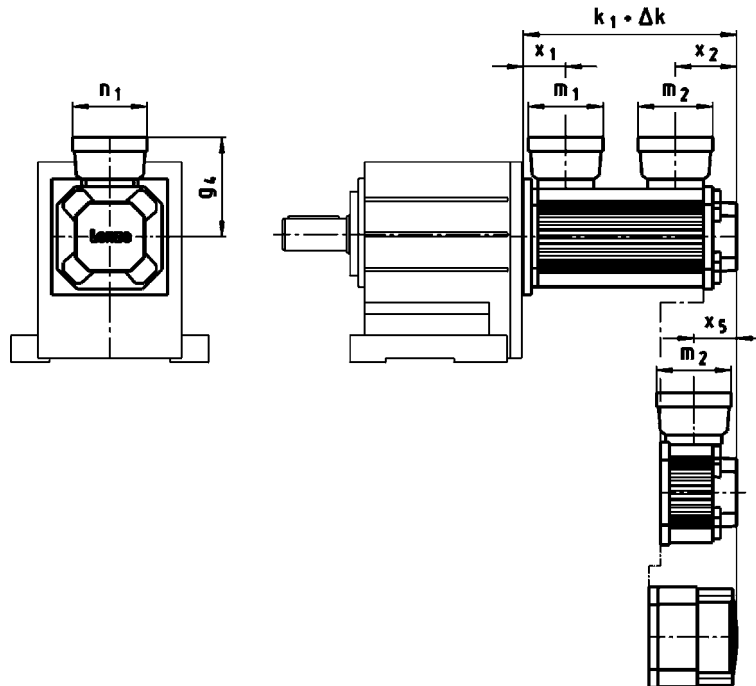
GPA□□-□A

		17N N17 ...F10	17N N35 ...F10	19S N23 ...S00	19S N42 ...S00	19S N17 ...F10	19S N35 ...F10	21X N25 ...S00	21X N42 ...S00	21X N17 ...F10	21X N35 ...F10
	k_1	429		401		498		470		566	
	g_1	118			161				172		
	n_3	28					45				
	x_6	95		-		103		-		96	
...RSO B0	Δk					0					
	x_3	43			56				62		
	x_4	162		73		170		78		174	
...RSO P□	Δk	35			38			42			
	x_3	75			91				102		
	x_4	162		73		170		78		174	
...SRS/SRM/ECN/EQN B0 ...EQI/S20/T20/CDD B0	Δk	54			50				49		
	x_3	43			56				62		
	x_4	216		123		220		126		222	
	x_5					-					
...SRS/SRM/ECN/EQN P□ ...EQI/S20/T20/CDD P□	Δk	89			88				91		
	x_3	75			91				102		
	x_4	216		123		220		126		222	
	x_5					-					



MCA & [mm]

Terminal box for motor connection



GST/GFL/GKR/GKS/GSS□□-□A

		10L C40 ...S00	13L C41 ...S00	13L C34 ...F10	14L C20 ...S00	14L C41 ...S00	14L C16 ...F10	14L C35 ...F10	17N C23 ...S00	17N C41 ...S00	
	k_1	258	267	335	307		369		346		
	g_4	113	125		132				140		
	m_1					93					
	m_2					93					
	n_1					93					
	x_1	60	53		58				61		
...RSO B0	Δk					0					
...RSO P□	x_2	78	77	145	85		147		85		
	Δk	25	35		33				35		
...SRS/SRM/ECN/EQN B0 ...EQI/S20/T20/CDD B0	x_2	78	77	145	85		147		85		
	Δk	54			55				54		
	x_2	-	131	199	139		201		139		
	x_5	50					-				
...SRS/SRM/ECN/EQN P□ ...EQI/S20/T20/CDD P□	Δk	79	89		88				89		
	x_2	-	131	199	139		201		139		
Terminal box in position 2 Cable glands in position 5	x_5	50					-				
						1 x M16x1.5		1 x M20x1.5			



Terminal box for motor connection

GST/GFL/GKR/GKS/GSS□□-□A

		17N C17 ...F10	17N C35 ...F10	19S C23 ...S00	19S C42 ...S00	19S C17 ...F10	19S C35 ...F10	21X C25 ...S00	21X C42 ...S00	21X C17 ...F10	21X C35 ...F10
	k_1	435		408		505		479		575	
	g_4	140			158				169		
	m_1	93					120				
	m_2	93		93 ¹⁾ 120 ²⁾		93		93 ¹⁾ 120 ²⁾		93	
	n_1	93					109				
	x_1	61			80				93		
...RSO B0	Δk					0					
	x_2	174		93 ¹⁾ 87 ²⁾		190		97 ¹⁾ 92 ²⁾		193	
	Δk	35			38				42		
	x_2	174		93 ¹⁾ 87 ²⁾		190		97 ¹⁾ 92 ²⁾		193	
	Δk	54			50				49		
	x_2	228		143 ¹⁾ 137 ²⁾		240		146 ¹⁾ 140 ²⁾		242	
	x_5					-					
	Δk	89			88				91		
	x_2	228		143 ¹⁾ 137 ²⁾		240		146 ¹⁾ 140 ²⁾		242	
	x_5					-					
	Terminal box in position 2 Cable glands in position 5	1 x M16x1.5 1 x M20x1.5		1 x M16x1.5 ¹⁾ 1 x M20x1.5 ¹⁾ 1 x M25x1.5 ²⁾ 1 x M32x1.5 ²⁾		1 x M16x1.5 1 x M20x1.5		1 x M16x1.5 ¹⁾ 1 x M20x1.5 ¹⁾ 1 x M25x1.5 ²⁾ 1 x M32x1.5 ²⁾		1 x M16x1.5 1 x M20x1.5	

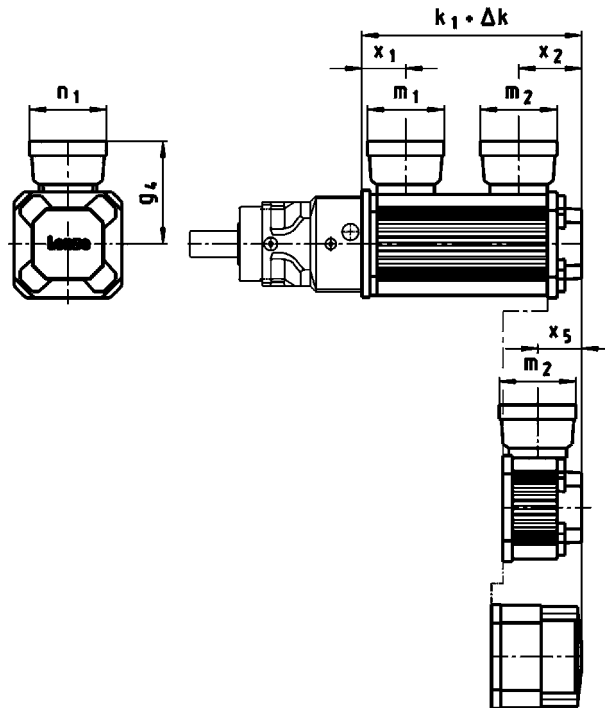
1) IP 54

2) IP 65



MCA & [mm]

Terminal box for motor connection



GPA□□-□A

		10I N40 ...S00	13I N41 ...S00	13I N34 ...F10	14L N20 ...S00	14L N41 ...S00	14L N16 ...F10	14L N35 ...F10	17N N23 ...S00	17N N41 ...S00	
	k_1	262	271	339	302		364		340		
	g_4	113	125		132				140		
	m_1					93					
	m_2					93					
	n_1					93					
	x_1	54	57		53				55		
...RSO B0	Δk					0					
	x_2	78	77	145	85		147		85		
...RSO P□	Δk	25	35		33				35		
	x_2	78	77	145	85		147		85		
...SRS/SRM/ECN/EQN B0 ...EQI/S20/T20/CDD B0	Δk	54		55				54			
	x_2	-	131	199	139		201		139		
	x_5	50					-				
...SRS/SRM/ECN/EQN P□ ...EQI/S20/T20/CDD P□	Δk	79	89		88				89		
	x_2	-	131	199	139		201		139		
	x_5	50					-				
Terminal box in position 2 Cable glands in position 5						1 x M16x1.5 1 x M20x1.5					



Terminal box for motor connection

GPA□□-□A

		17N N17 ...F10	17N N35 ...F10	19S N23 ...S00	19S N42 ...S00	19S N17 ...F10	19S N35 ...F10	21X N25 ...S00	21X N42 ...S00	21X N17 ...F10	21X N35 ...F10
	k_1	429		401		498		470		566	
	g_4	140			158				169		
	m_1	93					120				
	m_2	93		93 ¹⁾ 120 ²⁾		93		93 ¹⁾ 120 ²⁾		93	
	n_1	93					109				
	x_1	55			73				84		
...RSO B0	Δk					0					
	x_2	174		93 ¹⁾ 87 ²⁾		190		97 ¹⁾ 92 ²⁾		193	
	Δk	35			38				42		
	x_2	174		93 ¹⁾ 87 ²⁾		190		97 ¹⁾ 92 ²⁾		193	
	Δk	54			50				49		
	x_2	228		143 ¹⁾ 137 ²⁾		240		146 ¹⁾ 140 ²⁾		242	
	x_5					-					
	Δk	89			88				91		
	x_2	228		143 ¹⁾ 137 ²⁾		240		146 ¹⁾ 140 ²⁾		242	
	x_5					-					
	Terminal box in position 2 Cable glands in position 5	1 x M16x1.5 1 x M20x1.5		1 x M16x1.5 ¹⁾ 1 x M20x1.5 ¹⁾ 1 x M25x1.5 ²⁾ 1 x M32x1.5 ²⁾		1 x M16x1.5 1 x M20x1.5		1 x M16x1.5 ¹⁾ 1 x M20x1.5 ¹⁾ 1 x M25x1.5 ²⁾ 1 x M32x1.5 ²⁾		1 x M16x1.5 1 x M20x1.5	

1) IP 54

2) IP 65



MCA & [mm]





Lenze SE

Postfach 10 13 52
D-31763 Hameln
Telefon +49 (0)51 54 / 82-0
Telefax +49 (0)51 54 / 82-28 00
E-Mail: Lenze@Lenze.de
Internet: www.Lenze.com

Lenze Automation GmbH

Grünstraße 36, D-40667 Meerbusch
Telefon +49 (0)21 32 / 99 04-0
Telefax +49 (0)21 32 / 7 21 90

Standort:

Hans-Lenze-Straße 1, D-31855 Aerzen
Postfach 101352, D-31763 Hameln
Telefon +49 (0)51 54 / 82-0
Telefax +49 (0)51 54 / 82-28 00

Standort:

Am Alten Bahnhof 11
D-38122 Braunschweig
Telefon +49 (0)531 / 80178-0
Telefax +49 (0)531 / 80178-20

Lenze Drives GmbH

Postfach 10 13 52, D-31763 Hameln
Breslauer Strasse 3, D-31855 Aerzen
Telefon +49 (0)51 54 / 82-0
Telefax +49 (0)51 54 / 82-28 00

Lenze Operations GmbH

Postfach 10 13 52, D-31763 Hameln
Hans Lenze Straße 1, D-31855 Aerzen
Telefon +49 (0)51 54 / 82-0
Telefax +49 (0)51 54 / 82-28 00

Lenze GmbH & Co KG Anlagenbau

Buchenweg 1
D-31855 Aerzen
Telefon +49 (0)51 54 / 82-0
Telefax +49 (0)51 54 / 82-21 00

Lenze Service GmbH

Breslauer Straße 3
D-32699 Extertal

Mechanical Drives

Telefon +49 (0)51 54 / 82-16 26
Telefax +49 (0)51 54 / 82-13 96

Electronic Drives

Telefon +49 (0)51 54 / 82-11 11
Telefax +49 (0)51 54 / 82-11 12

Service Helpline

+49 (0)180 5 20 24 26

Lenze Verbindungstechnik GmbH

lpf-Landesstraße 1
A-4481 ASTEN
Telefon +43 (0)72 24 / 210-0
Telefax +43 (0)72 24 / 210-998

Lenze DETO Drive Systems GmbH & Co KG

Untere Sparchen 16
A-6330 Kufstein
Telefon +43 (0)53 72 / 6 53 15-200
Telefax +43 (0)53 72 / 6 53 15-299

Schmidhauser AG

Obere Neustrasse 1
CH-8590 Romanshorn
Telefon +41 (0)71 466 11 11
Telefax +41 (0)71 466 11 10

encoway GmbH

Buschhöhe 2
D-28357 Bremen
Telefon +49 (0)4 21 / 33003 - 500
Telefax +49 (0)4 21 / 33003 - 555

DEUTSCHLAND/GERMANY

Lenze Vertrieb GmbH *

Ludwig-Erhard-Straße 52-56
D-72760 Reutlingen
Telefon +49 (0)71 21 / 9 39 39-0
Telefax +49 (0)71 21 / 9 39 39-29

Region Nord

HefeHof 25
31785 Hameln
Telefon (0 51 54) 82 44-0
Telefax (0 51 54) 82 44-44

Region West

Postfach 10 12 20
47497 Neukirchen-Vluyn
Kelvinstraße 7
47506 Neukirchen-Vluyn
Telefon (0 28 45) 95 93-0
Telefax (0 28 45) 95 93 93

Region Mitte/Ost

Postfach 1463
35724 Herbborn
Austraße 81
35745 Herbborn
Telefon (0 27 72) 95 94-0
Telefax (0 27 72) 95 94 94

Region Südwest

Postfach 14 33
71304 Waiblingen
Schänzle 8
71332 Waiblingen
Telefon (0 71 51) 9 59 81-0
Telefax (0 71 51) 9 59 81 50

Region Süd

Fraunhoferstraße 16
82152 Martinsried
Telefon (0 89) 89 56 14-0
Telefax (0 89) 89 56 14 14

WELTWEIT/WORLDWIDE

ALGERIA

see FRANCE

ARGENTINA *

E.R.H.S.A.
Girardot 1368, 1427 BUENOS AIRES
Phone +54 (0)11 / 45 54 32 32
Telefax +54 (0)11 / 45 52 36 11

AUSTRALIA *

FCR Motion Technology Pty. Ltd.
Unit 6, Automation Place
38-40 Little Boundary Rd.
LAVERTON NORTH, Vic. 3026
Phone +61 (3) 9362 6800
Telefax +61 (3) 9314 3744

AUSTRIA *

Lenze Antriebstechnik GmbH
lpf-Landesstraße 1
4481 ASTEN
Phone +43 (0)7224 / 210-0
Telefax +43 (0)7224 / 210-999

Office Dornbirn:

Lustenauer Straße 64
6850 DORNBRN
Phone +43 (0)7224 / 210-0
Telefax +43 (0)7224 / 210-7299

Office Wr. Neudorf:

Triester Straße 14/109
2351 WR. NEUDORF
Phone +43 (0)7224 / 210-0
Telefax +43 (0)7224 / 210-7099

Office Graz:

Seering 8
8141 UNTERPREMSTÄTTEN
Phone +43 (0)7224 / 210-0
Telefax +43 (0)7224 / 210-7199

Lenze Verbindungstechnik GmbH

lpf-Landesstraße 1
4481 ASTEN
Phone +43 (0)7224 / 210-0
Telefax +43 (0)7224 / 210-998

Lenze Anlagentechnik GmbH

Mühlenstraße 3
4470 ENNS
Phone +43 (0)7224 / 210-0
Telefax +43 (0)7224 / 210-997

BELARUS

see POLAND

BELGIUM *

Lenze bv.ba
Industriepark Noord, 19.
9100 SINT-NIKLAAS
Phone +32 (0)3.542.62.00
Telefax +32 (0)3.541.37.54

BOSNIA-HERZEGOVINA

see AUSTRIA

BRAZIL *

Lenze Brasil Automação Ltda.
Rua Conde Moreira Lima 589
CEP 04384-030
SÃO PAULO/SP – Brasil
Phone +55 11 2348-6579
Telefax +55 11 2348-6573

Produtos Eletrônicos MetalteX Ltda

(Focus on Sales)
Rua José Rafaelli, 221
Socorro, CEP 04763-280
SÃO PAULO/SP – Brasil
Phone +55 11 56 83 57 00
Telefax +55 11 55 24 23 24

BULGARIA

Lenze Zadvizhvasta Tehnika EOOD
Bul. Maritza 21, Office 204
4003 PLOVDIV
Phone +359 / 32 / 940 373
Telefax +359 / 32 / 940 349

CANADA *

Lenze Canada Corporation
1535 Meyerside Drive, Unit 1
Mississauga, ON L5T 1M9 CANADA
Phone +1 (508) 278-9100
Telefax +1 (508) 278-7873

CENTRAL AMERICA

see Americas HQ

CHILE

Sargent S.A.
Tecnica Thomas C. Sargent
Av. Gral. Velásquez 5720, San Bernardo
SANTIAGO – CHILE
Phone +56 (0)2 / 51 03 000
Telefax +56 (0)2 / 69 83 989

CHINA *

Lenze Drive Systems (Shanghai) Co. Ltd.
No. 2989, Jiangshan Road
Lingang, Shanghai 201306
CHINA
Phone +86 21 3828 0200
Telefax +86 21 3828 0250

COLOMBIA

Casa Sueca, S.A.
Calle 52 1N-74
CALI
Phone +57 -2- 682 0444
Telefax +57 -2- 683 1411

CROATIA

Lenze mehatronika-pogonska tehnika
d.o.o.
Ulica grada Gospića 3
HR-10000 ZAGREB
Phone +385 1 249-8056
Telefax +385 1 249-8057

CZECH REPUBLIC

Lenze, s.r.o.
Central Trade Park D1
396 01 HUMPOLEC
Phone +420 565 507-111
Telefax +420 565 507-399

Büro Červený Kostelec:

17. listopadu 510
549 41 ČERVENÝ KOSTELEČ
Phone +420 491 467-111
Telefax +420 491 467-166

DENMARK *

Lenze A/S
Vallensbækvej 18A
2605 BRØNDØY
Phone +45 / 4696 6666
Telefax +45 / 4696 6660
24 stunde service +45 / 5251 6699

Buero Jylland: Lenze A/S

Niels Bohrs Vej 23
8660 SKANDERBORG
Phone +45 / 46 96 66 88
Telefax +45 / 46 96 66 80

EGYPT

WADI Co. for technologies
and development
P.O.Box 209, new center Ramses
11794 CAIRO, Egypt
11 Syria St., Mohandessin
GIZA, Egypt
Phone +2 (02) 3347 6842
Telefax +2 (02) 3347 6843

ESTONIA

see FINLAND

FINLAND *

Lenze Drives
Tierankatu 8, 20520 TURKU
Phone +358 2 2748 180
Telefax +358 2 2748 189

FRANCE *

Lenze S.A.
Siège
21 des Mardelles
44 Rue Blaise Pascal
93600 AULNAY-SOUS-BOIS

Services Commerciaux

Phone 0 825 086 036
Telefax 0 825 086 346

Centre de formation

E-Mail : semin.sidonie@lenze.fr

Questions générales / documentation

E-Mail : info@lenze.fr

Service Après-vente / assistance en ligne

Helpline 24/24 : 0 825 826 117
E-Mail : helpline@lenze.fr

Agences en France

Région France Nord :
21 des Mardelles
44 Rue Blaise Pascal
93600 AULNAY-SOUS-BOIS

Nantes
44000 NANTES

Strasbourg
67870 GRIÈSHEIM près MOLSHEIM

Rouen
76500 ELBEUF

Région France Sud :

Parc Technologique
97, allée Alexandre Borodine
Immeuble le Douglas 2
69800 SAINT PRIEST

Agen

47270 SAINT-PIERRE de CLAIRAC

GREECE

GEORGE P. ALEXANDRIS SA
12, K. Mavromichali Street
18545 PIRAEUS
Phone +30 210 41 11 841
Telefax +30 210 41 27 058

Industrial Area, Block 48B, 4th Entrance

57022 SINDOS
Phone +30 2310 556 650
Telefax +30 2310 511 815

HUNGARY *

Lenze Hajtástechnika Kft
2040 BUDAÖRS
Gyár utca 2., P.O.Box 322.
Phone +36 (0)23 / 501-320
Telefax +36 (0)23 / 501-339

ICELAND

see DENMARK

**INDIA**

Lenze Mechatronics Pvt. Ltd.
Lenze Plot No. 46A, Sector-10
PCNTDA Industrial Area, Bhosari
PUNE - 411 026
Phone +91-20-66318100
Telefax +91-20-66318120

Kolkata Sales office
2nd Floor, 3/1 Ashton Road
KOLKATA - 700020
Phone +91-33-24190490
Telefax +91-33-24190562

New Delhi Sales office
Flat No - 101, Padma Tower - II
22, Rajendra Place
NEW DELHI - 110008
Phone +91-11-25812113/15
Telefax +91-11-25812114

INDONESIA

see MALAYSIA

IRAN

Tavan Ressian Co.
No.5, Alizadeh Alley,
North Bahar Str.,
Sadr Highway,
Tehran-1931813556-Iran
P.O. Box 19395-5177 Teh-IR
Phone +98 21 / 2769 4444
Telefax +98 21 / 222 444 00

ISRAEL *

Zeev Melcer LTD
P.O.B. 10011, HAIFA BAY 26110
36 Yosef Levi St., Kiriat Bialik
Phone +972-(0)4-8757037
Telefax +972-(0)4-8742172

ITALY *

Lenze Italia S.r.l.
Viale Monza 338, 20128 MILANO
Phone +39 02 / 270 98.1
Telefax +39 02 / 270 98 290

JAPAN *

Miki Pulley Co., Ltd.
1-39-7 Komatsubara, Zama-city
KANAGAWA 228-8577
Phone +81 (0)462 / 58 16 61
Telefax +81 (0)462 / 58 17 04

LATVIA

see LITHUANIA

LEBANON

I. Network Automation s.a.l.
Ground floor - United insurance building
Facing Mercedes Show room
Dora - High Way, BEIRUT-METEN
P.O.Box 835 - Jounieh - Lebanon
Phone +961-1-249562
Telefax +961-1-249563

LITHUANIA

Lenze UAB
Breslaujos g.3, 44403 KAUNAS
Phone +370 37 407174
Telefax +370 37 407175

LUXEMBOURG *

see BELGIUM

MACEDONIA

Lenze Antriebsstechnik GmbH
Pretstavništvo Skopje
ul. Nikola Rusinski 3/A/2, 1000 SKOPIJE
Phone +389 2 30 90 090
Telefax +389 2 30 90 091

MALAYSIA

Lenze S.E.A. Sdn Bhd
No. 28 Jalan PJU 3/47
Sunway Damansara, Technology Park
47810 PETALING JAYA
SELANGOR DARUL EHSAN
Phone +60 3 7803 1428
Telefax +60 3 7806 3728

MAURITIUS

Automation & Controls Engineering Ltd
3, Royal Road, Le Hochet, Terre Rouge
MAURITIUS
Phone +230 248 8211
Telefax +230 248 8968

MEXICO

Sales:
see AMERICAS HQ

Service:
**Automatización y Control
de Energía S.A. de C.V.**
Av. 2 No.89 Esq Calle 13
Col. San Pedro de los Pinos
C.P. 03800 MEXICO D.F.
Phone +52 55 2636-3540
Fax +52 55 2636-3541

MONTENEGRO

see MACEDONIA

MOROCCO

GUORFET G.T.D.R
Automatisation Industrielle
Bd Chefchaouni Route 110 km, 11.500
No. 353-Ain-Sabaâ
CASABLANCA
Phone +212/22-35 70 78
Telefax +212/22-35 71 04

NETHERLANDS *

Lenze B.V., Postbus 31 01
5203 DC 'S-HERTOGENBOSCH
Ploegweg 15
5232 BR 'S-HERTOGENBOSCH
Phone +31 (0)73 / 64 56 50 0
Telefax +31 (0)73 / 64 56 51 0

NEW ZEALAND *

Tranz Corporation
343 Church Street
P.O. Box 12-320, Penrose
AUCKLAND
Phone +64 (0)9 / 63 45 51 1
Telefax +64 (0)9 / 63 45 51 8

NORWAY *

Dtc- Lenze as
Stallbakken 5, 2005 RAEINGEN
Phone +47 / 64 80 25 10
Telefax +47 / 64 80 25 11

PHILIPPINES

see MALAYSIA

POLAND

Lenze Polska Sp. z o.o.
Ul. Rożdżeńskiego 188b
40-203 KATOWICE
Phone +48 (0) 32 203 97 73
Telefax +48 (0) 32 781 01 80

Torun Office
Lenze Polska Sp. z o.o.
Ul. Rydygiera 47
87-100 TORUN
Phone +48 (0) 56 658 28 00
Telefax +48 (0) 56 645 33 56

PORTUGAL *

Costa Leal el Victor
Electronica-Pneumatica, Lda.
Rua Prof. Augusto Lessa, 269,
Apart. 52053
4202-801 PORTO
Phone +351-22 / 5 50 85 20
Telefax +351-22 / 5 02 40 05

ROMANIA

see AUSTRIA

RUSSIA

OOO Lenze
Schchelkovskoye shosse 5
105122 MOSCOW
Phone +7 495 921 3250
Telefax +7 495 921 3259

SERBIA

see MACEDONIA

SINGAPORE *

see MALAYSIA

SLOVAC REPUBLIC

ECS Sluzby spol. s.r.o.
Staromlynska 29
82106 BRATISLAVA
Phone +421 2 45 25 96 06
+421 2 45 64 31 47
+421 2 45 64 31 48
Telefax +421 2 45 25 96 06

SLOVENIA

LENZE GmbH, Asten, Avstria
Podružnica Celje
Kidričeva 24
3000 CELJE
Phone +386 03 426 46 40
Telefax +386 03 426 46 50

SOUTH AFRICA *

S.A. Power Services (Pty.) Ltd.
Unit 14, Meadowbrook Business Estates
Jacaranda Ave, Olivedale
Randburg 2158, P.O.Box 1137
RANDBURG 2125
Phone +27(11) 462-8810
Telefax +27(11) 704-5775

SOUTH KOREA *

Lenze Representative Office
No. 606, Daeryung Technotown 6th,
493-6, Gasan-dong, Geumcheon-gu,
SEOUL 153-774
Phone +82 2-792-7017
Telefax +82 2-792-7018

SPAIN *

Lenze Transmisiones S.A.
Edificio TCA
C/ Henri Dunant, 9,
08173 SANT CUGAT DEL VALLES
(Barcelona)
Phone 902 02 79 04
(0034) 937 207 680
Telefax 902 02 63 69

Lenze Delegación Norte
Phone 902 02 79 04
(0034) 937 207 680

Lenze Delegación Levante
Cullera, 73- 4ºD
46035 BENIMAMET (Valencia)
Phone 902 02 79 04
(0034) 937 207 680
Telefax 902 02 63 69

Lenze Delegación Madrid
C/ Poema Sinfónico Nº 25-27
Local nº 3, escalera 1, Planta Baja.
28054 MADRID
Phone 915 103 341
Telefax 915 102 061

SWEDEN *

Lenze Transmissioner AB
PO.Box 10 74, Attorpsgatan, Tornby Ind.
58110 LINKÖPING
Phone +46 (0)13 / 35 58 00
Telefax +46 (0)13 / 10 36 23

SWITZERLAND *

Lenze Bachofen AG
Ackerstrasse 45
8610 USTER
Phone +41 (0) 43 399 14 14
Telefax +41 (0) 43 399 14 24

Vente Suisse Romande:
Route de Prilly 25
1023 CRISSIER
Phone +41 (0)21 / 63 72 19 0
Telefax +41 (0)21 / 63 54 76 2

SYRIA

Zahabi Co.
8/5 Shouhadadaa Street
P.O.Box 8262
ALEPPO-SYRIA
Phone +963 21 21 22 23 5
Telefax +963 21 21 22 23 7

TAIWAN *

Lenze Taiwan Representative Office
6F-1, No.136, Sec. 3, Zhongxiao E. Rd.
TAIPEI City, 10655, Taiwan
Phone +886 / (0)2-2721-2161
Telefax +886 / (0)2-2721-2706

THAILAND

see MALAYSIA

TUNESIA

AMF Industrielle Sarl
Route de Gremda - Km 0,2
Immeuble El Madina,
Centre Bloc B - 5ème - appt 52
3002 SFAX
Phone +216 74 403 514
Telefax +216 74 402 516

TURKEY

LSE Elektrik
Elektronik Makina
Otomasyon Mühendislik
Sanayi ve Ticaret Ltd. Şti
Atatürk mah. Cumhuriyet cad.
Yurt sok. No: 7
ÜMRANIYE/İSTANBUL
Phone +90 (0)216 / 316 5138 pbx
Telefax +90 (0)216 / 443 4277

UKRAINE

SV Altera, Ltd.
Lepse ave., 4
KIEV, 03067
Phone +38 044 496 18 88
Telefax +38 044 496 18-18

UNITED ARAB EMIRATES

LPT (FZC)
X4 Building No. 37
Sharjah Airport Free Zone (SALF ZONE)
SHARJAH
Phone +971 6 5573205
Telefax +971 6 5573206

UNITED KINGDOM/EIRE *

Lenze Ltd.
Fraser Road
Priory Business Park
BEDFORD MK44 3WH
Phone +44 (0)1234 / 75 32 00
Telefax +44 (0)1234 / 75 32 20

USA *

AMERICAS HQ
Lenze Americas Corporation
630 Douglas Street
UXBRIDGE, MA 01569
Phone +1 508 278 9100
Telefax +1 508 278 7873

Sales:
see Americas HQ

Operations:
Lenze AC Tech Corporation
630 Douglas Street
UXBRIDGE, MA 01569
Phone +1 508 278 9100
Telefax +1 508 278 9294

Lenze DETO Drive Systems
see Americas HQ

VIETNAM

see MALAYSIA

* Countries connected to the free expert helpline 008000 24 hours (008000 24 46877)

It's good to know | why we are there for you



"Our customers come first. Customer satisfaction is what motivates us. By thinking in terms of how we can add value for our customers we can increase productivity through reliability."



"We will provide you with exactly what you need – perfectly co-ordinated products and solutions with the right functions for your machines and installations. That is what we mean by 'quality'."



"Take advantage of our wealth of expertise. For more than 60 years now we have been gathering experience in various fields and implementing it consistently and rigorously in our products, motion functions and pre-configured solutions for industry."



"The world is our marketplace. Wherever you are in the world, we are nearby, providing you with our drive and automation solutions."

Algeria · Argentina · Australia · Austria · Belarus · Belgium · Bosnia-Herzegovina · Brazil · Bulgaria · Canada · Central America · Chile · China · Colombia · Croatia · Czech Republic · Denmark · Egypt · Estonia · Finland · France · Germany · Greece · Hungary · Iceland · India · Indonesia · Iran · Israel · Italy · Japan · Latvia · Lebanon · Lithuania · Luxembourg · Macedonia · Malaysia · Mauritius · Mexico · Montenegro · Morocco · Netherlands · New Zealand · Norway · Philippines · Poland · Portugal · Romania · Russia · Serbia · Singapore · Slovak Republic · Slovenia · South Africa · South Korea · Spain · Sweden · Switzerland · Syria · Taiwan · Thailand · Tunisia · Turkey · Ukraine · United Arab Emirates · United Kingdom/Eire · USA · Vietnam

You can rely on our service. Expert advice is available 24 hours a day, 365 days a year, in more than 30 countries via our international helpline: 008000 24 Hours (008000 2446877).