

ALTERNATOR

LSA 36 - single-phase - 3.5 to 11.5 kVA

Developed using special modelling software to give optimised electrical performance

- **Designed to supply power to all electrical tools and electronic equipment : $THC \leq 3.5 \%$**
- **High motor starting capacity : $2 P_n$**
- **Short-circuit current : $4 I_n$**

One LSA 36 for all coupling types

- **Adaptor kits**



*Single bearing
with flex-plate IM 1201*



Two bearing IM 1001



*SAE J 609a B ext 6
VAIT 23 and 30*

Compact and lightweight

- **10 kVA - 347 mm - 31 kg**
- **A single frame from 3.5 to 11.5 kVA**

- 3000/3600 rpm - IP 23

PROFESSIONAL RANGE

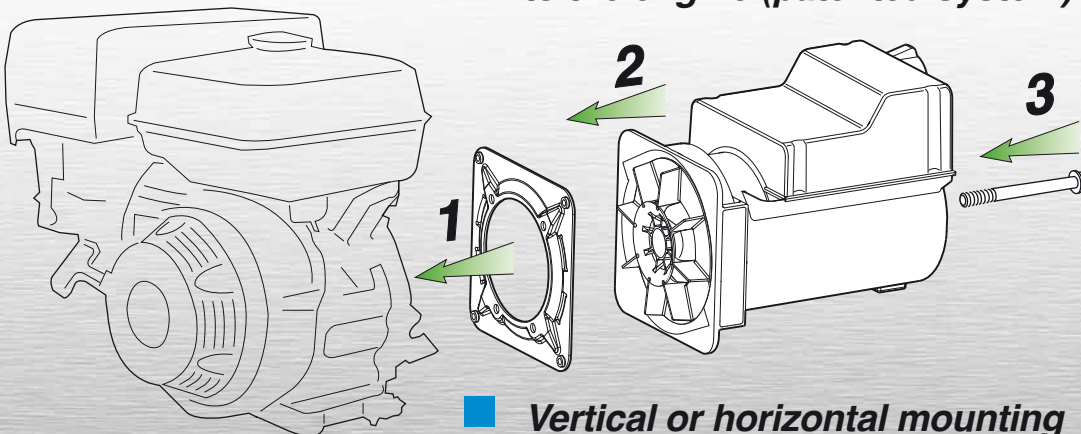
Modular terminal box

- Easy access to power terminals
- Removable facia for integrating sockets, circuit-breakers and voltmeters



Quick assembly

- Less than 3 minutes to couple to the engine (patented system)



- Vertical or horizontal mounting
- Simple fixing using a single screw size (13 mm socket)

Declaration of incorporation for CE marking available

Power ratings 3000 rpm - 50 Hz - 115 / 230V - Single-phase - P.F. 1

Type	kW / kVA	Regulation (voltage) (1)	Harmonic THC (2)	Efficiency 4/4 of load (3)	Air flow m ³ /h	SAE J 609a
LSA 36 L15A1/2	3,5	± 5%	≤3,5%	71%	234	A ext 5
LSA 36 L25A1/2	4,2	± 5%	≤3,5%	71%	234	B ext 6
LSA 36 L35A1/2	4,8	± 5%	≤3,5%	73,5%	234	B ext 6
LSA 36 L5 A1/2	5,5	± 5%	≤3,5%	76%	234	B ext 6
LSA 36 L7 A1/2	6,5	± 5%	≤3,5%	77,5%	234	B ext 6
LSA 36 L8 A1/2	7	± 5%	≤3,5%	78%	234	B ext 6
LSA 36 L10A1/2	8	± 5%	≤3,5%	79%	234	B ext 6
LSA 36 L12A1/2	10	± 5%	≤3,5%	79,5%	234	B ext 6

Power ratings 3600 rpm - 60 Hz - 120 / 240V - Single-phase - P.F. 1

Type	kW / kVA	Regulation (voltage) (1)	Harmonic THC (2)	Efficiency 4/4 of load (3)	Air flow m ³ /h	SAE J 609a
LSA 36 L15A1/2	4,2	± 5%	3,5%	71,5%	281	A ext 5
LSA 36 L25A1/2	5	± 5%	≤3,5%	71,5%	281	B ext 6
LSA 36 L35A1/2	6	± 5%	≤3,5%	74%	281	B ext 6
LSA 36 L5 A1/2	7	± 5%	≤3,5%	76,5%	281	B ext 6
LSA 36 L7 A1/2	8	± 5%	≤3,5%	78%	281	B ext 6
LSA 36 L8 A1/2	9	± 5%	≤3,5%	79%	281	B ext 6
LSA 36 L10A1/2	10	± 5%	≤3,5%	79,5%	281	B ext 6
LSA 36 L12A1/2	11,5	± 5%	≤3,5%	80%	281	B ext 6

(1) Voltage regulation when cold at rated speed. (2) THC on non-distorting load or no load.
 (3) Efficiency when cold at rated speed.

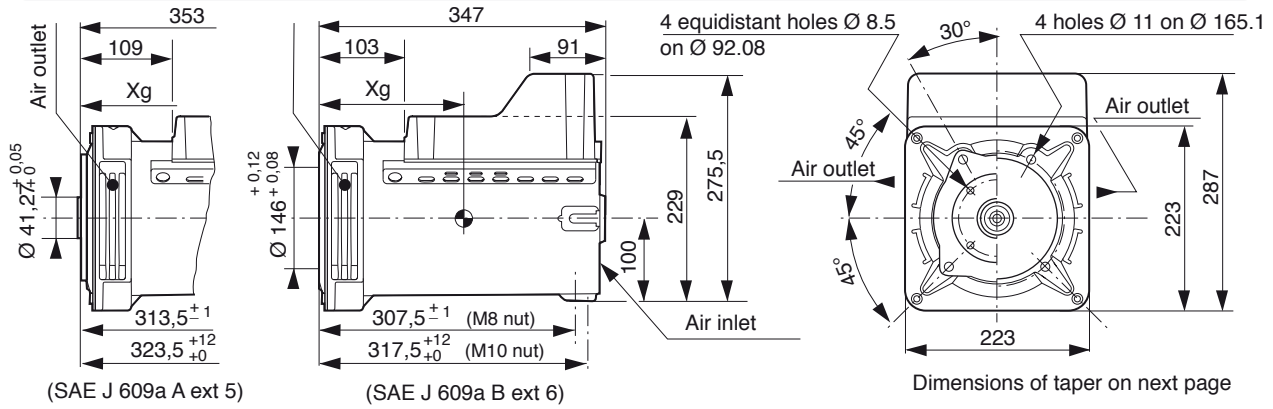
Weight (kg) / Centre of gravity Xg (mm) / Inertia J (kg.m²)

Type	Tapered shaft SAE J 609a			Single bearing with disc IM 1201			Tapered shaft VAIT			Two bearing IM 1001		
	Weight (kg)	Xg (mm)	J (kg.m ²)	Weight (kg)	Xg (mm)	J (kg.m ²)	Weight (kg)	Xg (mm)	J (kg.m ²)	Weight (kg)	Xg (mm)	J (kg.m ²)
LSA 36 L15	19	142	0,0055	22	137	0,0085	19	143	0,0055	20,5	152	0,0055
LSA 36 L25	19	142	0,0055	22	137	0,0085	19	143	0,0055	20,5	152	0,0055
LSA 36 L35	22	150	0,006	25	145	0,009	22	151	0,006	23,5	160	0,006
LSA 36 L5	25	162	0,007	28	156	0,01	25	163	0,007	26,5	172	0,007
LSA 36 L7	25	162	0,007	28	156	0,01	25	163	0,007	26,5	172	0,007
LSA 36 L8	28	171	0,00735	31	165	0,0103	28	172	0,00735	29,5	181	0,00735
LSA 36 L10	29,5	180	0,00796	32,5	173	0,011	29,5	181	0,00796	31	190	0,00796
LSA 36 L12	31	190	0,00858	34	183	0,0115	31	191	0,00858	32,5	200	0,00858

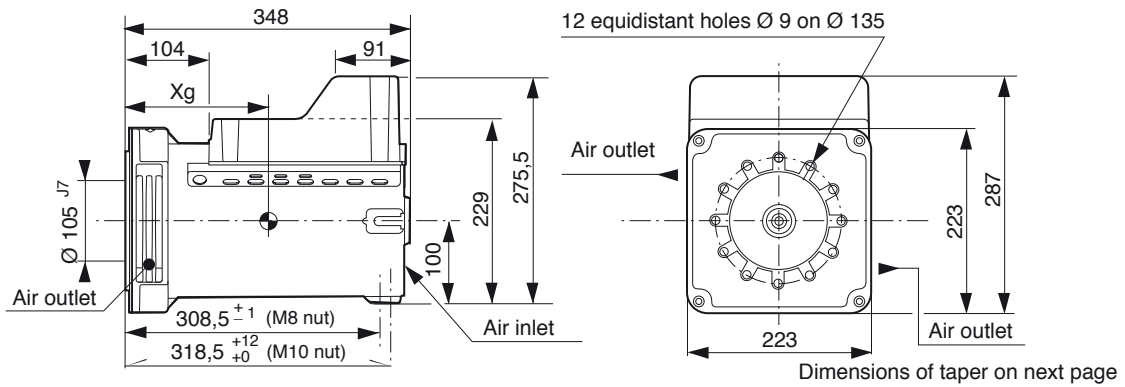
3000/3600 rpm - IP 23

PROFESSIONAL RANGE

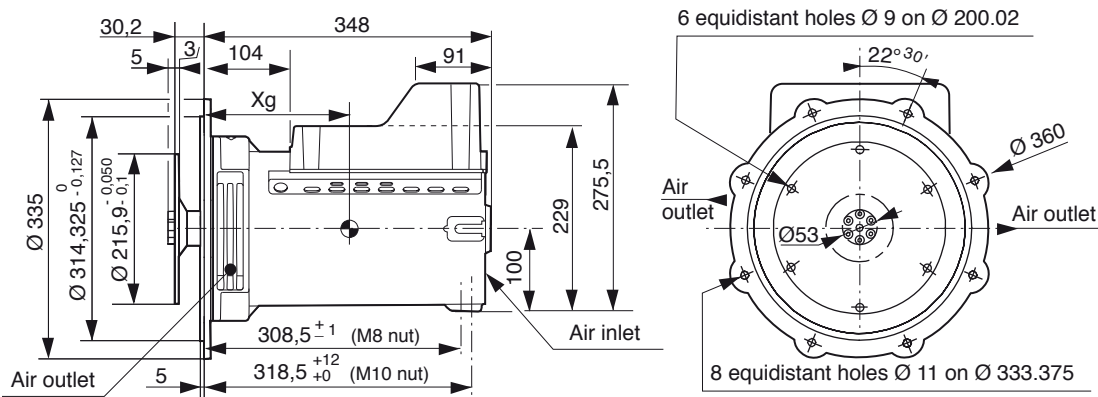
Single bearing with tapered shaft - SAE J 609a



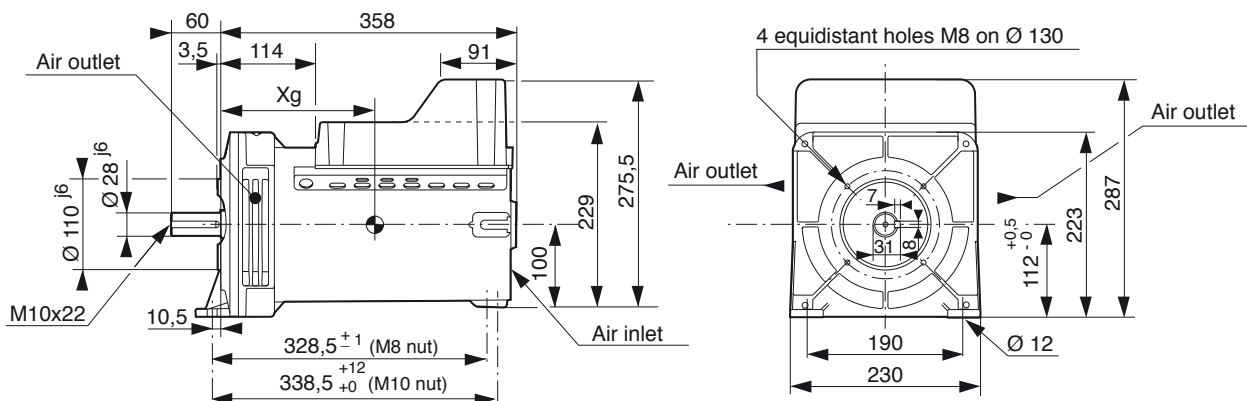
Single bearing with tapered shaft - VAIT



Single bearing with disc - IM 1201 - SAE 5 - 6 1/2

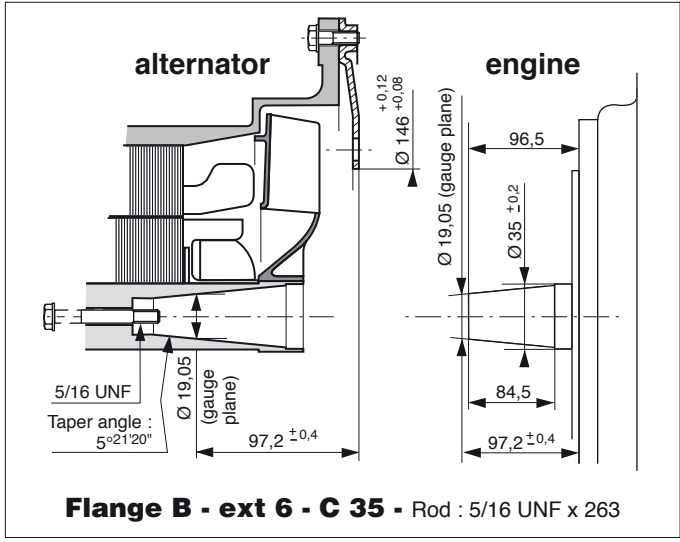
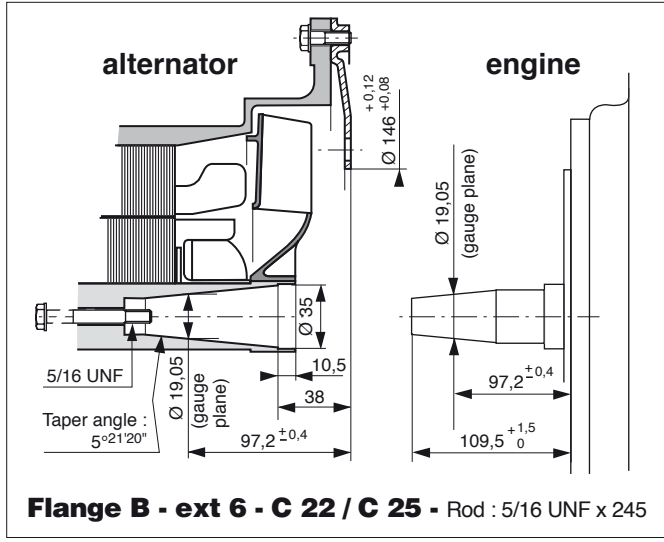
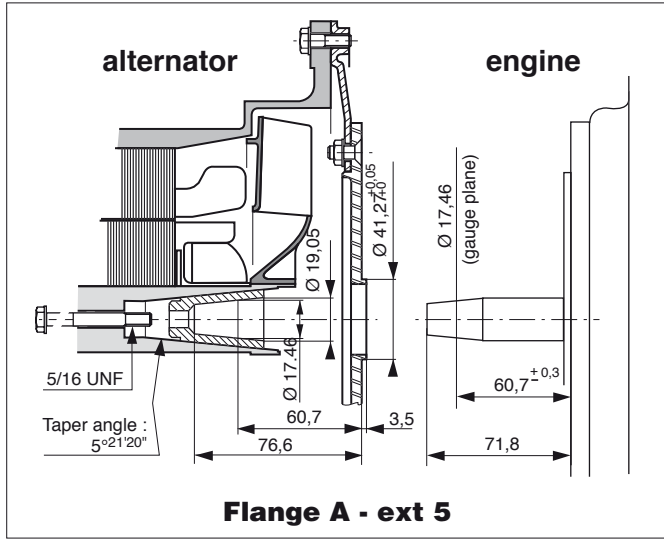


Two bearing - IM 1001 (B3 or B34)

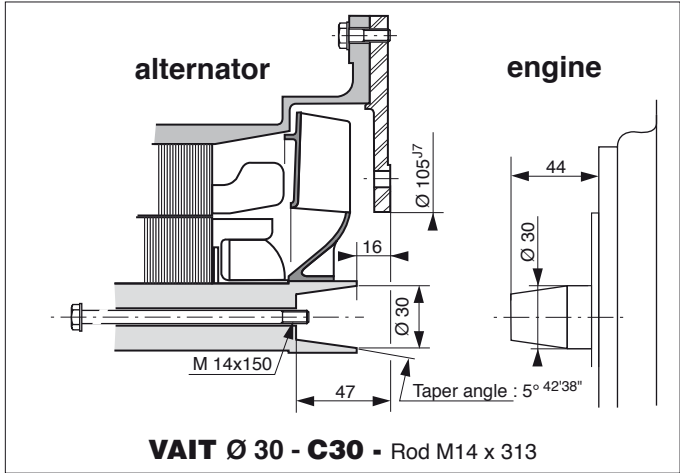
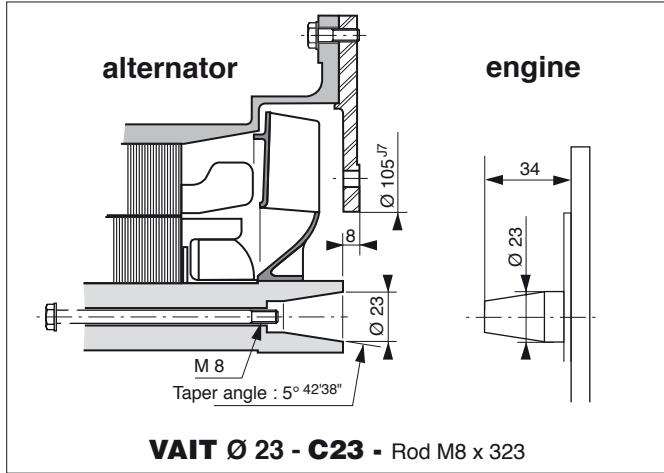


Dimensions in millimetres

Dimensions of the taper coupling SAE J 609a



Dimensions of the taper coupling VAIT Ø 23 - Ø 30



□ 3000/3600 rpm - IP 23

PROFESSIONAL RANGE

Optional electrical equipment

Type : L15/L25/L35/L5/L7



Kit 1 F (French) or Kit 1 S (Schuko)
 - 2 single-phase sockets* 16 A + earth + circuit-breaker



Kit 2 F (French) or Kit 2 S (Schuko)
 - 2 single-phase sockets* 16 A + earth + circuit-breaker
 - 1 voltmeter with led



Kit 3 F (French) or Kit 3 S (Schuko)
 - 2 single-phase sockets* 16 A + earth + circuit-breaker
 - 3 terminals 12 / 24 V + circuit-breaker



Kit 4 F (French) or Kit 4 S (Schuko)
 - 2 single-phase sockets* 16 A + earth + circuit-breaker
 - 3 terminals 12 / 24 V + circuit-breaker
 - 1 voltmeter with led

Type : L8/L10/L12



Kit 5 F (French) or Kit 5 S (Schuko)
 - 1 single-phase socket 32 A + earth
 - 1 single-phase socket* 16 A + earth + circuit-breaker



Kit 6 F (French) or Kit 6 S (Schuko)
 - 1 single-phase socket 32 A + earth
 - 1 single-phase socket* 16 A + earth + circuit-breaker
 - 1 voltmeter with led



Kit 7 F (French) or Kit 7 S (Schuko)
 - 1 single-phase socket 32 A + earth
 - 1 single-phase socket* 16 A + earth + circuit-breaker
 - 3 terminals 12 / 24 V + circuit-breaker



Kit 8 F (French) or Kit 8 S (Schuko)
 - 1 single-phase socket 32 A + earth
 - 1 single-phase socket* 16 A + earth + circuit-breaker
 - 3 terminals 12 / 24 V + circuit-breaker
 - 1 voltmeter with led

* Single-phase socket 16 Amp "French" (kit.. F) or "Schuko"(kit..S).



LEROY-SOMER 16015 ANGOULÊME CEDEX - FRANCE

RCS ANGOULÊME N B 671 820 223

S.A. au capital de 62 779 000 €

www.leroy-somer.com