

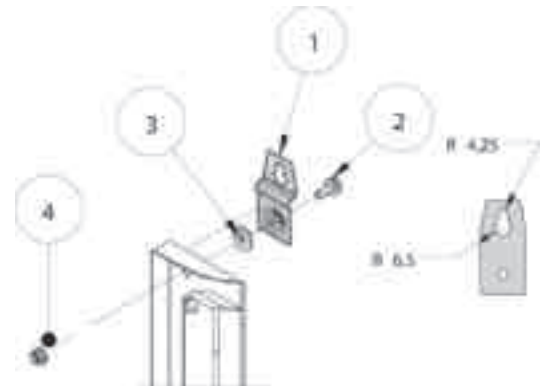
SFM400 - SET OF 4 WALL MOUNT BRACKETS FOR ST BOXES

Code SFM400 includes:

- 4 Galvanised steel brackets(1);
- 4 Screws TEFR M6 (2);
- 4 Gaskets (3);
- 4 M6 nuts (4).

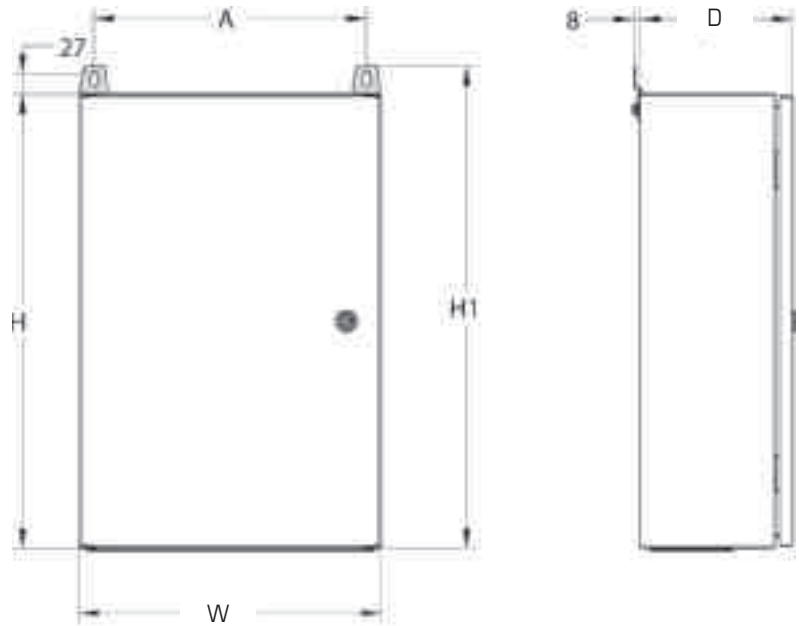
Wall fixing brackets are installed as show in the picture, on the back of the box body

The load capacity of one fixing bracket is 75 kg.

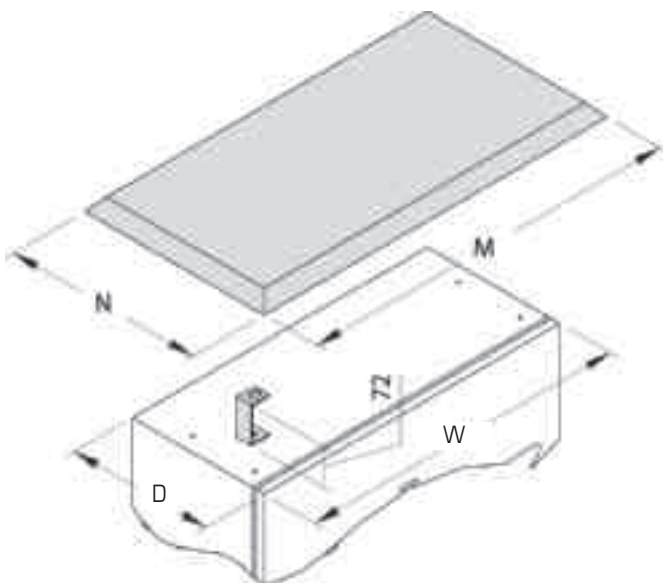


SFM400

Height / Width	H max	Distance between holes
H / W	H1	A
200	237	160
300	337	260
400	437	360
500	537	460
600	637	560
700	737	660
800	837	760
900	937	860
1000	1037	960
1200	1237	1160
1400	1437	1360



STTP - RAIN HOOD FOR ST BOXES



STTP

CODE	Nominal dimensions		Other dimensions	
	W	D	M	N
ST3020TP	300	200	396	296
ST4020TP	400	200	496	296
ST4025TP	400	250	496	346
ST5020TP	500	200	596	296
ST5025TP	500	250	596	346
ST6020TP	600	200	696	296
ST6025TP	600	250	696	346
ST6030TP	600	300	696	396
ST8025TP	800	250	896	346
ST8030TP	800	300	896	396