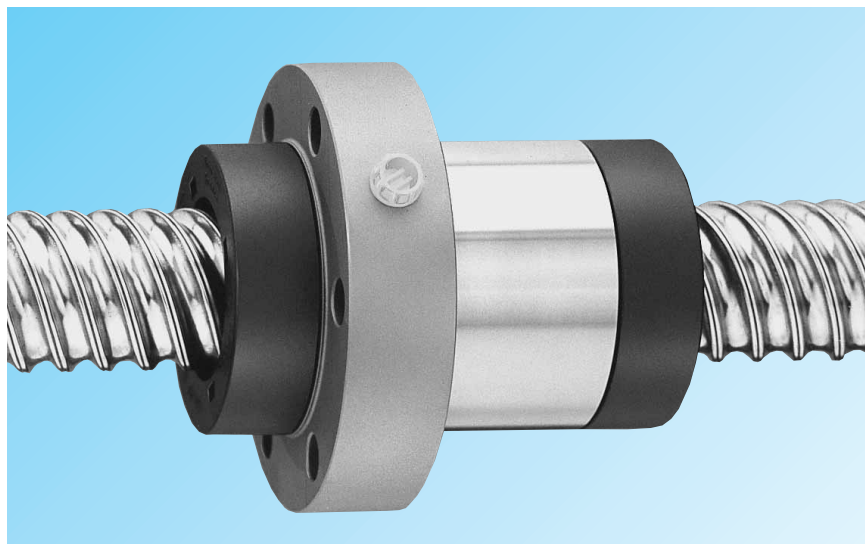


“SL/TL” Long lead screw

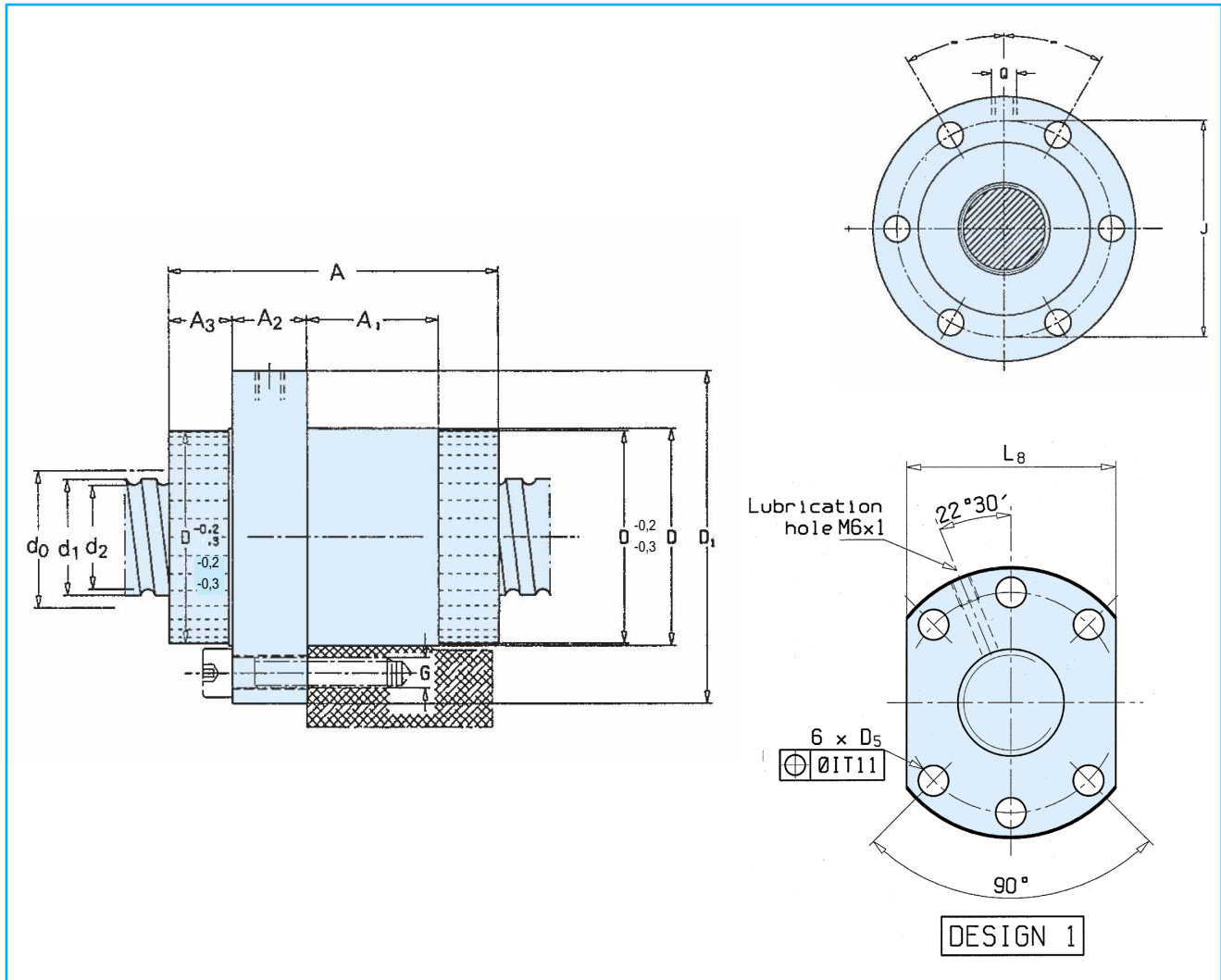
A new ball circulation system allowing high linear speed and low noise level.



- Nominal diameter
25 to 50 mm
- Lead
20 to 50 mm
- Two versions assuring two point ball contact under all conditions :
 - nut with **axial play “SL”**
 - nut with **backlash elimination “TL”**
- Double protection with polyamide wipers and brush wipers.
(WPR = with brush wipers
NOWPR = without brush wipers)
- Screw shaft can be phosphated on request
- Screw shaft accessories :
FLBU - PLBU & BUF off the shelves (see pages 26 to 31)

Technical data

| Nominal diameter | Right hand lead | Length maximum | Number of circuits of balls | SL | | | TL | | | Mass of nut | Mass of screw shaft | Inertia of one metre of screw shaft | Designation | |
|------------------|-----------------|----------------|-----------------------------|--------------------|--------------------|--------------------|----------------|---------------------|-------------------------------|-------------|---------------------|-------------------------------------|---------------|---------------|
| | | | | Basic load ratings | Maximum axial play | Basic load ratings | No load torque | Nut with axial play | Nut with backlash elimination | | | | | |
| d_0 | P_h | | | C_a | C_{oa} | S_{ap} | C_a | C_{oa} | T_{pe} | kg | kg/m | kgmm ² /m | | |
| mm | | mm | | kN | mm | | | | Nm | | | | | |
| 25 | 20 | 5000 | 4 x 1,7 | 19,4 | 54,3 | 0,08 | 10,7 | 27,2 | 0,04-0,36 | 0,6 | 3,3 | 215 | SL 25 x 20 R | TL 25 x 20 R |
| 25 | 25 | 5000 | 4 x 1,7 | 19,1 | 54,6 | 0,08 | 10,5 | 27,3 | 0,04-0,36 | 0,7 | 3,2 | 210 | SL 25 x 25 R | TL 25 x 25 R |
| 32 | 20 | 6000 | 4 x 1,7 | 21,7 | 68,0 | 0,08 | 11,9 | 34,0 | 0,05-0,45 | 0,8 | 5,1 | 530 | SL 32 x 20 R | TL 32 x 20 R |
| 32 | 32 | 6000 | 4 x 1,8 | 20,8 | 68,3 | 0,08 | 11,4 | 34,1 | 0,05-0,50 | 1,0 | 5,4 | 600 | SL 32 x 32 R | TL 32 x 32 R |
| 32 | 32 | 6000 | 4 x 1,8 | 20,8 | 68,3 | 0,08 | 11,4 | 34,1 | 0,05-0,50 | 0,9 | 5,4 | 600 | SLD 32 x 32 R | TLD 32 x 32 R |
| 32 | 40 | 6000 | 4 x 0,8 | 12,6 | 38,7 | 0,08 | 7,0 | 19,4 | 0,05-0,50 | 0,7 | 4,9 | 490 | SL 32 x 40 R | TL 32 x 40 R |
| 40 | 20 | 6000 | 4 x 2,7 | 35,3 | 133,8 | 0,08 | 19,4 | 66,9 | 0,05-0,55 | 1,4 | 8,2 | 1380 | SL 40 x 20 R | TL 40 x 20 R |
| 40 | 40 | 6000 | 4 x 1,7 | 43,8 | 137,8 | 0,10 | 24,1 | 68,9 | 0,05-0,55 | 1,5 | 8,1 | 1330 | SL 40 x 40 R | TL 40 x 40 R |
| 50 | 50 | 6000 | 4 x 1,7 | 80,0 | 254,6 | 0,12 | 44,1 | 127,3 | 0,1-0,9 | 3,4 | 13,2 | 3560 | SL 50 x 50 R | TL 50 x 50 R |



| Designation | Screw shaft | | Nut | | | | | | | | Lubrication hole | |
|-------------------|-------------|-------|-----------|-------|-------|-------|-------|-------|-------------|-------|------------------|---------------|
| | d_2 | d_1 | D f9 | D_1 | A_1 | A | A_2 | A_3 | J js12 | L_8 | G | Q |
| | mm | | | | | | | | | | | |
| SL/TL 25 x 20 R | 21,7 | 24,3 | 48 | 73 | 18 | 66,4 | 15 | 17,4 | 60 | | 6 x M6 | M6 |
| SL/TL 25 x 25 R | 21,5 | 24,4 | 48 | 73 | 27 | 77,9 | 15 | 18,6 | 60 | | 6 x M6 | M6 |
| SL/TL 32 x 20 R | 27,5 | 30 | 56 | 80 | 18 | 66,4 | 15 | 17,4 | 68 | | 6 x M6 | M6 |
| SL/TL 32 x 32 R | 28,4 | 31,1 | 56 | 80 | 41 | 80,3 | 15 | 13 | 68 | | 6 x M6 | M6 |
| SLD/TLD 32 x 32 R | 28,4 | 31,1 | 50 g6 | 80 | 41 | 80,3 | 15 | 13 | 65 | 62 | 6 x M8 | M6 (Design 1) |
| SL/TL 32 x 40 R | 26,9 | 29,6 | 53 g6 | 80 | 17 | 55,0 | 15 | 12 | 68 | | 6 x M6 | M6 |
| SL/TL 40 x 20 R | 35,2 | 37,7 | 63 | 95 | 38 | 86,8 | 15 | 17,8 | 78 | | 6 x M8 | M6 |
| SL/TL 40 x 40 R | 34,2 | 38,3 | 72 | 110 | 44 | 110,3 | 25 | 21,3 | 90 | | 6 x M10 | M8 x 1 |
| SL/TL 50 x 50 R | 43,5 | 49,1 | 85 | 125 | 60 | 134,0 | 25 | 25,5 | 105 | | 6 x M10 | M8 x 1 |