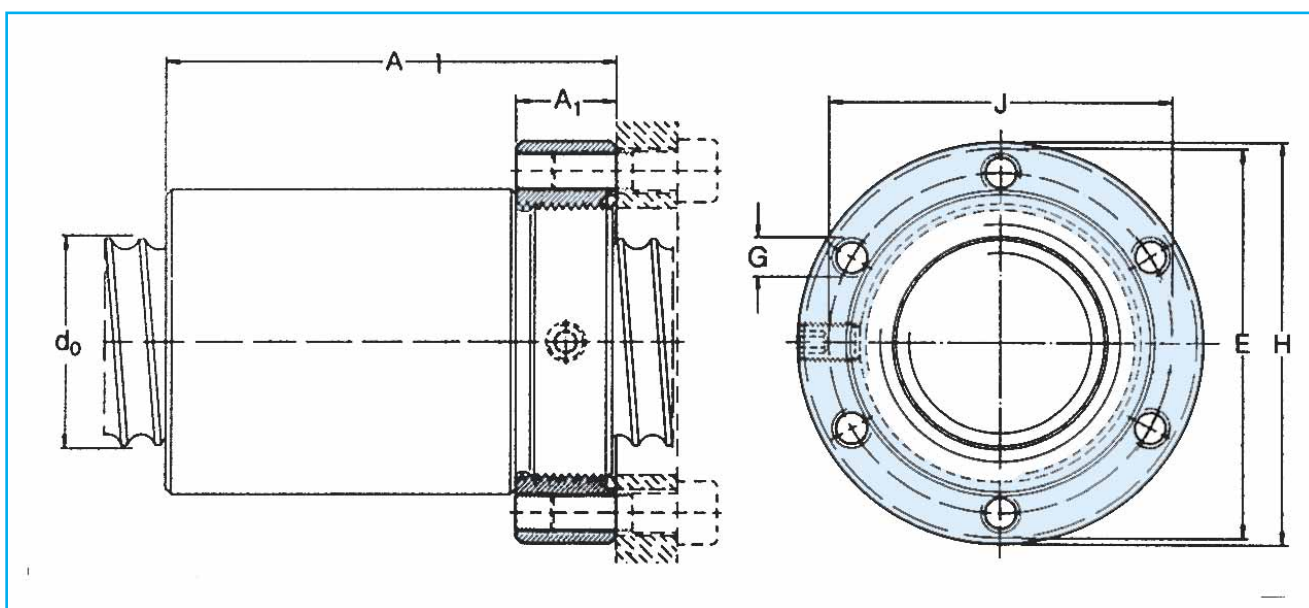


Nut accessories “FHRF”

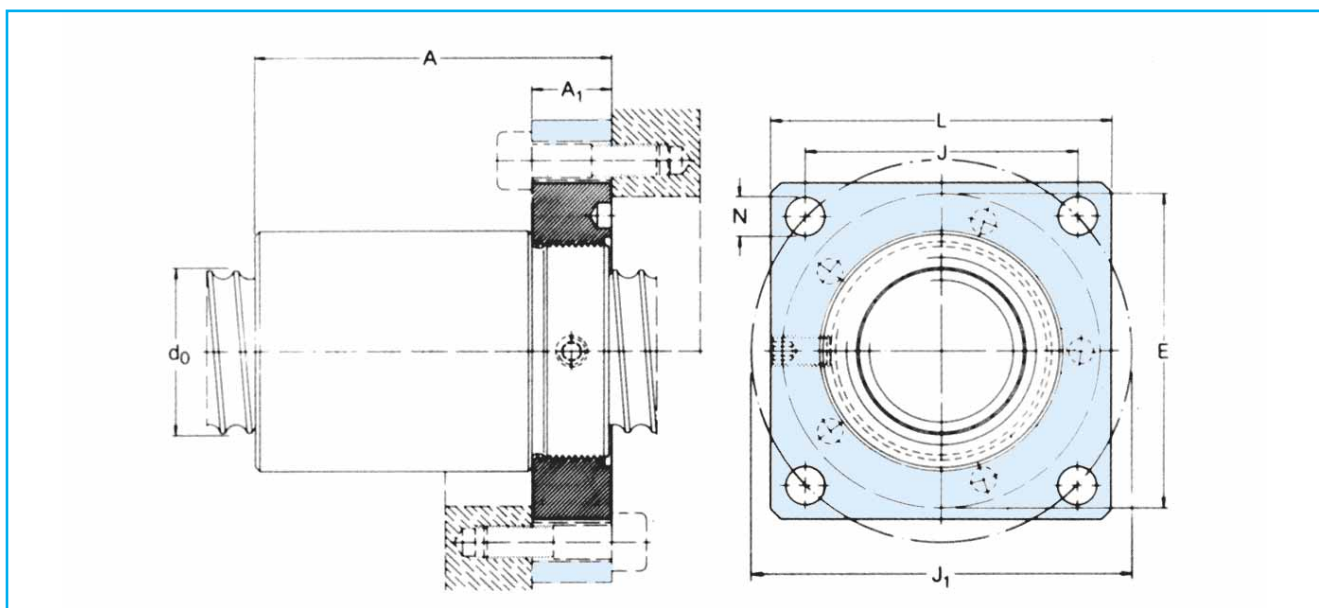
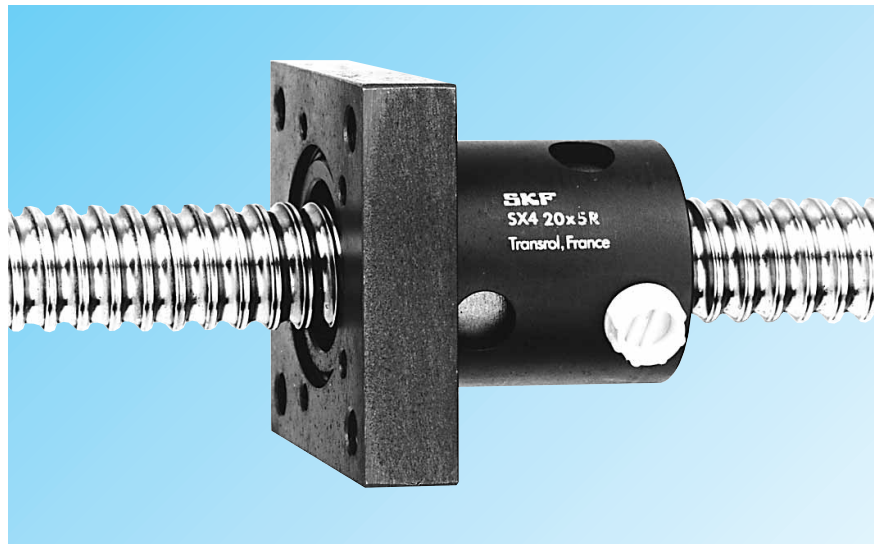
Round flange
(for SX nut)



Nominal diameter d_0	P_h	Dimensions					Designation
		A h14	A_1 h14	G	H h12	J js12	
20	5	55	15	M5	52	44	FHRF 20
25	5	70	20	M6	60	50	FHRF 25
25	10	88	20	M6	60	50	FHRF 25
32	5	70	20	M6	69	59	FHRF 32
32	10	96	20	M6	69	59	FHRF 32
40	5	70	20	M8	82	69	FHRF 40 x 5
40	10	111	25	M10	92	76	FHRF 40 x 10
50	10	136	30	M12	110	91	FHRF 50
63	10	136	30	M12	125	106	FHRF 63

Nut accessories ‘FHSF’

Square flange
(for SX nut)



Nominal diameter d_0	P_h	Dimensions			J js12	J_1	N	Designation
		A h14	A_1 h14	L h14				
mm								
20	5	55	15	60	45	63,6	6,6	FHSF 20
25	5	70	20	70	52	73,5	9	FHSF 25
25	10	88	20	70	52	73,5	9	FHSF 25
32	5	70	20	80	60	84,8	9	FHSF 32
32	10	96	20	80	60	84,8	9	FHSF 32
40	5	70	20	90	70	99	11	FHSF 40 x 5
40	10	111	25	100	78	110,3	13	FHSF 40 x 10
50	10	136	30	120	94	133	15	FHSF 50
63	10	136	30	130	104	147	15	FHSF 63

On special request, trunnion flanges are available.