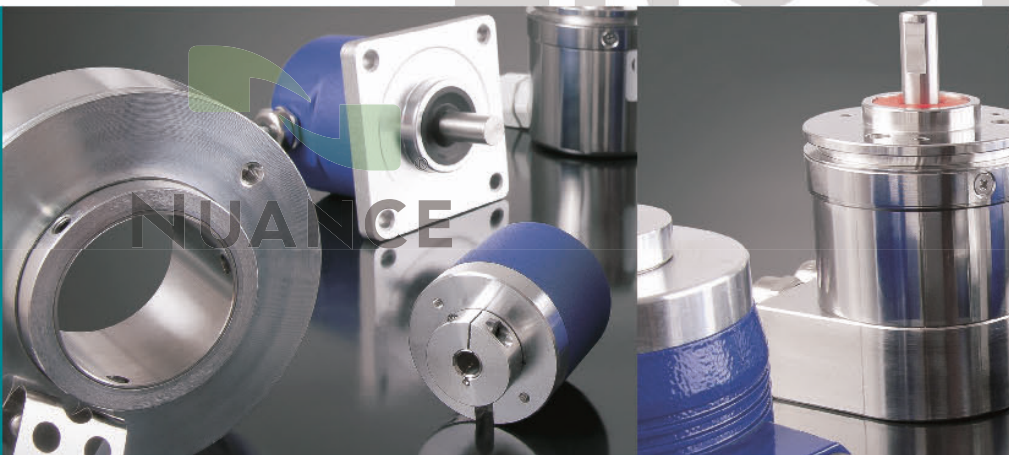


INCREMENTAL AND ABSOLUTE ENCODERS 2013



NUANCE






NUANCE®



ELTRA SUCCESSFULLY PLAYS IN THE SENSOR MARKET OF THE FACTORY AUTOMATION SINCE MORE THAN 25 YEARS.

Thousands of customers worldwide have already chosen Eltra's products rewarding the flexible design and the customized assembling approach.

The constant investments on R&D, the skilled personnel and the most advanced technology allows to Eltra to offer over the years a wide range of products. Nowadays Eltra's product portfolio has more than 4,000 products (incremental and absolute encoders, sensors, linear transducers and accessories) and one of the strength is to deliver custom solutions based on customer specifications.

Eltra is present in foreign Countries with subsidiaries in China and Slovak Republic and a network of distributors in more than 40 Countries allowing a prompt reply to market requests and maintaining high standard in the service reliability.

Special attention is reserved to the product quality with severe tests and performance checks according to the Quality Control System (ISO 9001:2000).

Moreover, Eltra achieved other important certifications such as CE, UL/CSA and ATEX to guarantee compliance of the products to the main European and International standard and certifications.



www.eltra.it

General description incremental encoders

Incremental encoders	4
----------------------	---

Solid shaft optical incremental encoders

EL 30 E / H / I	6
EH 38 A / B / D	8
EL - ER 40 A / B / C / E / H / I / X / N	10
EL 58 B / C / H / T	14
EL 63 A / D / E	17
EL 63 M	20
EL 63 AX / DX	22
EX 80 A / D	24
EH 90 A - 115 A / R	26
EL 90 A - 115 A	29

Blind / through shaft optical incremental encoders

N.B.: models marked with * are available with Hall phases

EH 17 - 30 M	32
EF* 36 K	34
EL - ER 38 F / G	36
EL - ER 40 G	38
EL 48	40
EL - EF* 49 C / P	42
EL 50 F / G / K	45
EL 50 FA / GA / FP / GP	47
EF* 50 F / G / K	49
EF* 50 FA / GA / FP / GP	51
EH - EL 53 A / B	53
ES 53 K	56
EL 58 PFA / PFP / PGA / PGP	58
EL 58 F / G - EL 63 F / G / P	60
EL 63 GB / FB / PB / PBF / PC / PCF	63
EL 72 A / B	66
EH - EF* 80 C / P / K	69
EH 80 PFA / PFP	72
EH - EL 88 P	74
EH 88 PE / PET	76
EH 99	78
EL 120	80

Magnetic incremental encoders



EMI 22	82
EMI 38 F / G	84
EMI 40 A	86
EMI 55	88
EMI 58 RY	90
EMI 63 A / D	92
ETMR	94

Other products

EC 34	Incremental encoder for rack	96
ER A / B / C / D / E / F	Incremental linear encoder	98
RH - RM 200 - 500	Metric wheels	100
ETMA 1 - 2	Magnetic incremental linear sensor	103
EBMA	Magnetic tape	105
EP A / B	Rotary potentiometer	107
EV A / B / C	Electronic handwheel	109
FE	Rope encoder for linear measures	111
FES	Rope encoder for linear measures	114
EMB	Electronic interface (signal splitter)	116
EMD	Electronic interface (signal selector)	118
Elastic couplings		120

General description absolute encoders

Absolute singleturn and multiturn encoder	122
PARALLEL interface	124
SSI interface	126
PROFIBUS interface	128

Singleturn absolute optical encoders

EA 40 T	Absolute singleturn encoder for tool change	130
EA 58 - 63 - 90 - 115	PARALLEL - SSI	132
EA 58 - 63 - 90 - 115	PROFIBUS	138
EA 63 AX / DX	SSI	145
EA 63 AX / DX	PROFIBUS	147
EAX 80 A / D	Absolute singleturn flameproof encoder	149
EA 120 P	SSI	152

Multiturn absolute optical encoders

EAM 58 - 63 - 90 - 115	PARALLEL - SSI	154
EAM 58 - 63 - 90 - 115	PROFIBUS	162
EAM 63 AX / DX	SSI	169
EAM 63 AX / DX	PROFIBUS	171
EAMX 80 A / D	Absolute multiturn flameproof encoder	173

Absolute magnetic encoders

EAM 36	Multiturn	176
EMA - EMS 22	Singleturn	178
EMA 50 A / AY / B / BY	Singleturn	180
EMA 50 F / FY / G / GY	Singleturn	183
EMA 55 A	Singleturn	186
EML 38 F / G	Singleturn	189
EML 50 A / AY / B / BY	Singleturn	192
EML 50 F / FY / G / GY	Singleturn	195

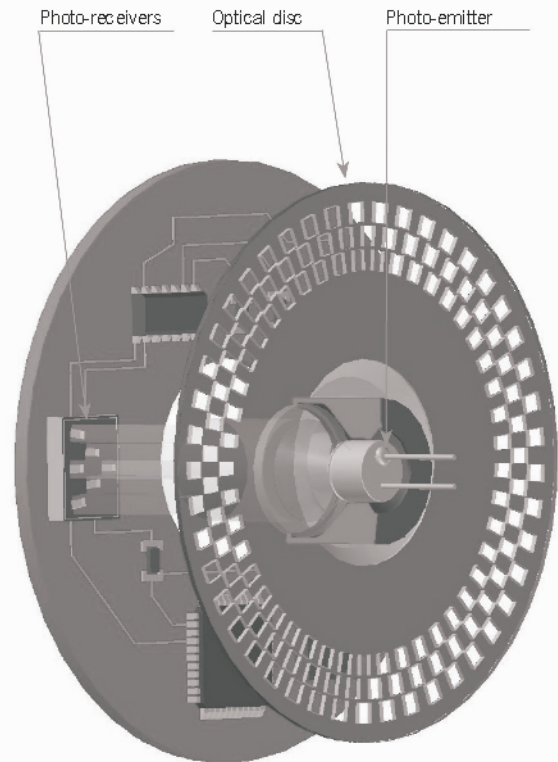
Technical basics

NUANCE

Output configurations	198
Incremental connections	201
Absolute encoder connectors	203
Installation and operation precautions	205

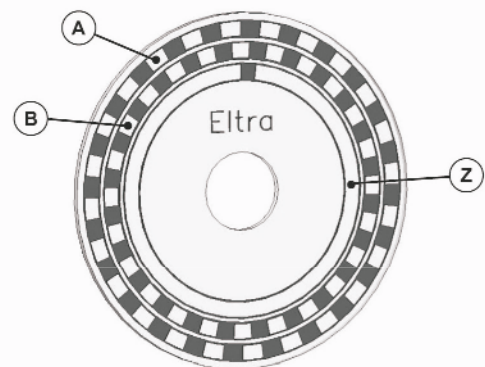
WORKING PRINCIPLE

An encoder is a rotary transducer that converts an angular movement into a series of electrical digital pulses. If associated to racks or endless screws, these generated pulses can be used to control angular or linear movements. During rotation, electrical signals can be elaborated by numerical controls (CNC), programmable logic controls (PLC), control systems, etc. Main applications of these transducers are: machinery, robots, motor feedback, measure and control devices. In Eltra encoders the angular movement transduction is based on the photoelectric scanning principle. The reading system is based on the rotation of a radial graduated disk formed by opaque windows and transparent ones alternated. The system is perpendicularly illuminated by an infrared light source. The light projects the disk image on the receivers surface which are covered by a grating called collimator having the same disk steps. The receivers transduce the occurring light variations caused by the disk shifting and convert them into their corresponding electrical variations. Electrical signals, raised to generate squared pulses without any interference, must be electronically processed. The reading system is always carried out in differential modality, that is comparing different signals nearly identical but out of phase of 180 electrical degrees. That in order to increase quality and stability of output signals. The reading is performed comparing the difference between the two channels, to remove the noise known as "common mode", because signals are overlapped in equal way on each wave.



INCREMENTAL ENCODER

The incremental encoder usually gives two types of squared waves out of phase of 90 electrical degrees. They are usually called channel A and B. The first channel gives information about the rotation speed while the second, basing on the state sequence produced by the two signals, provides the direction of rotation. A further signal, called Z or zero channel, is also available. It gives the absolute zero position of the encoder shaft. This signal is a squared pulse with phase and width centered on A channel.

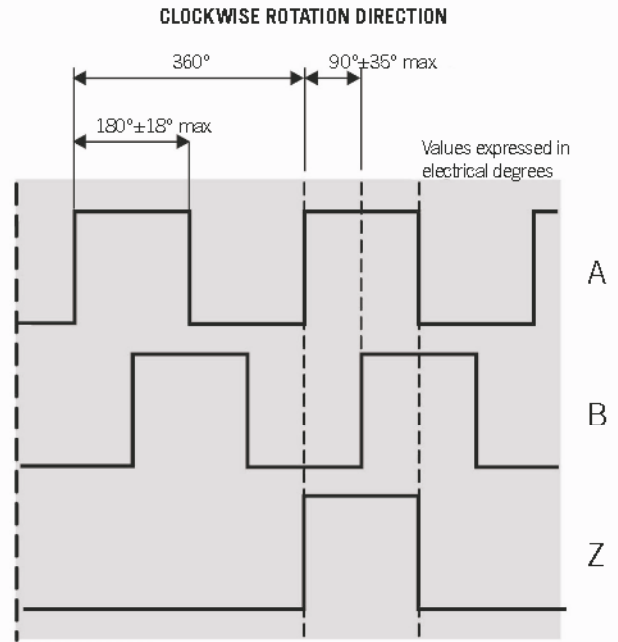


NUANCE

The incremental encoder accuracy depends on mechanical and electrical factors. These errors could be: grating division, disk eccentricity, bearings eccentricity, electronic reading and optical inaccuracy. The measurement unit to define encoder accuracy is the electrical degree. It determinates the division of the impulse generated by the encoder: 360 electrical degrees correspond to the mechanical rotation of the shaft which is necessary to carry out a complete cycle. To know how many mechanical degrees correspond to 360 electrical degrees the following formula has to be applied:

$$\text{electrical } 360^\circ = \frac{\text{mechanical } 360^\circ}{\text{nr. pulses / turn}}$$

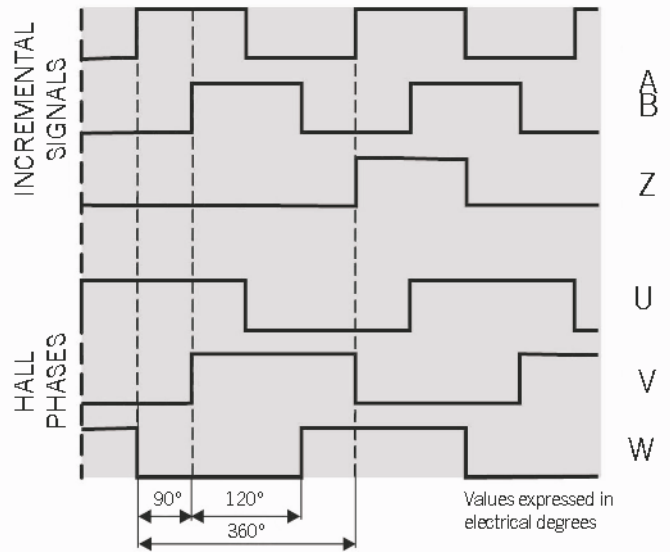
The encoder division error is given from the maximum shifting shown in the electrical degrees of two consecutive edges. This error exists in any encoder and is due to the above mentioned factors. On Eltra encoders pulse error is $\pm 18^\circ$ e max. on full operating range, which corresponds to a $\pm 10\%$ from nominal value. Regarding the 90 electrical degrees phase relation between the two channels, it differs in ± 35 electrical degrees max which corresponds to $\pm 10\%$ respect to signal period.



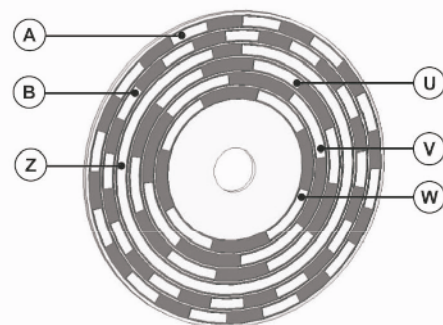
Graphic representation of A, B and Z incremental signals.

INCREMENTAL ENCODER WITH INTEGRATED COMMUTATION PHASES (HALL PHASES)

In addition to the above mentioned encoders, there are other encoders that integrate additional electrical output signals. These are incremental encoders with integrated commutation signals, used as motor feedback. These additional signals simulate the Hall phases that are usually present in brushless motors and are generally realized by magnetic sensors. In Eltra encoders these commutation signals are optically generated and presented as three squared waves, shifted by 120 electrical degrees. These signals will be used by the driver that controls the motor in order to generate correct voltage phases to determine right rotation. These commutation pulses can be repeated many times within one mechanical turn because they directly depend on the pole number in the related motor. So we have commutation phases for motors of 4, 6 or more poles.



Graphic representation of A, B and Z incremental signals with U, V and W Hall phases.



MAIN FEATURES

Miniaturized $\varnothing 30$ encoder series for general applications. Recommended when a minimal size is required even providing excellent performances.

- Up to 360 ppr with zero signal
- Several output types available
- Up to 24 V DC power supply
- Up to 50 kHz output frequency
- Cable output
- Up to 3000 RPM rotation speed
- Up to IP 54 sealing

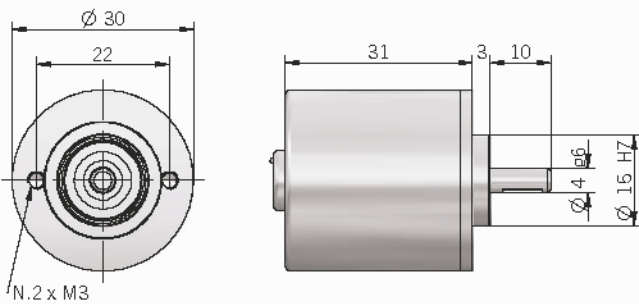


ORDERING CODE

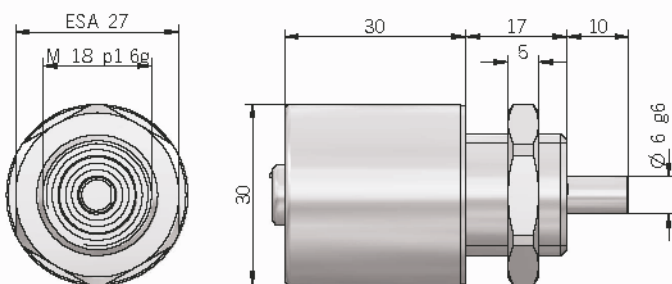
EL	30	E	50	Z	5	N	4	X	3	PA	.	XXX
SERIES incremental encoder series EL		SIZE mm 30		TYPE clamping flange E M18 threaded flange H M20 threaded flange I		RESOLUTION ppr from 1 to 360		ZERO PULSE without zero pulse S with zero pulse Z		POWER SUPPLY 5 VDC 5 8 ... 24 VDC 8/24		VARIANT XXX custom version
								MAX ROTATION SPEED 3 3000 rpm		ENCLOSURE RATING X IP 54		OUTPUT TYPE PA axial cable output (standard length 0.5 m)
								SHAFT DIAMETER 4 mm (EL 30 E) 6 mm (EL 30 E / H / I)		ELECTRONIC INTERFACE N NPN O NPN open collector P push-pull L line driver		

N.B.: please directly contact our offices for pulses availability

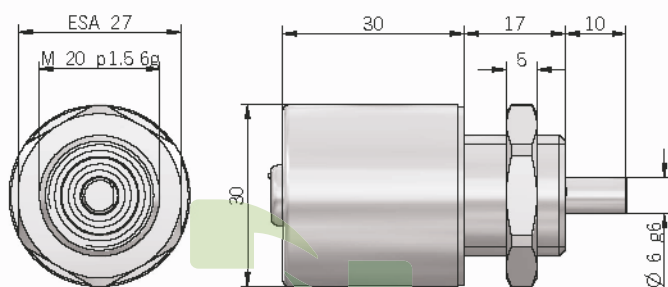
EL 30 E



EL 30 H



EL 30 I



NUANCE

Electrical specifications

Resolution	from 1 to 360 ppr
Power supply	5 V DC $\pm 10\%$ 8 ... 24 V DC $\pm 5\%$
Current consumption without load	100 mA max
Max load current	50 mA for channel 20 mA for channel (line driver)
Output type	NPN NPN open collector push-pull line driver
Max output frequency	50 kHz
Counting direction	A leads B clockwise (shaft view)
Electromagnetic compatibility	IEC 81000-6-2 IEC 81000-6-4

Mechanical specifications

Shaft diameter	$\varnothing 4$ (EL 30 E) mm $\varnothing 6$ (EL 30 E / H / I) mm
Enclosure rating	IP 54 (IEC 60529)
Max rotation speed	3000 rpm
Max shaft load	5 N (0.5 kgf) axial 5 N (0.5 kgf) radial
Shock	50 G, 11 ms (IEC 60068-2-27)
Vibration	10 G, 10 ... 2000 Hz (IEC 60068-2-6)
Body material	aluminum EN-AW 2011
Shaft material	1.4305 / AISI 303 stainless steel
Housing material	PA66 glass fiber reinforced
Bearings	2 ball bearings
Bearings life	10^9 revolutions
Operating temperature	$-10^\circ \dots +60^\circ\text{C}$
Storage temperature	$-25^\circ \dots 70^\circ\text{C}$
Weight	50 g

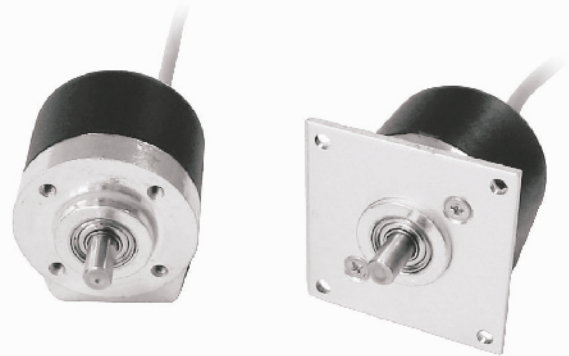
Connections and standard colours

Function	Push pull / Npn / Npn open collector	Line driver
+VDC	red	red
0 V	black	black
Ch. A	green	green
Ch. A-	/	brown
Ch. B	yellow	yellow
Ch. B-	/	orange
Ch. Z	blue	blue
Ch. Z-	/	white
---	shield	shield

MAIN FEATURES

Miniaturized ø 38 encoder series. Recommended when a minimal size is required even providing excellent performances.

- Up to 1024 ppr with zero signal
- Several output types available
- Up to 24 V DC power supply
- Up to 100 kHz output frequency
- Cable output
- Up to 3000 RPM rotation speed
- Up to IP 54 sealing



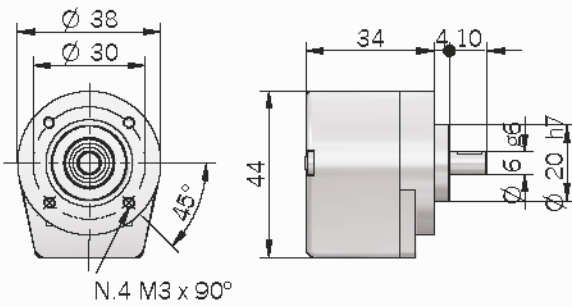
ORDERING CODE

EH 38 A 500 Z 5 N 6 X 3 PR . XXX

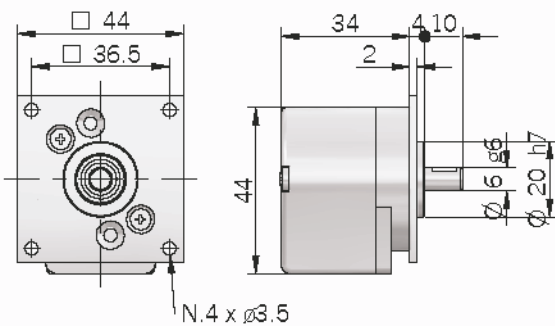
SERIES incremental encoder series EH	SIZE mm 38	TYPE fixing flange ø 20 mm A square flange □ 36,5 mm B square flange □ 32 mm D	RESOLUTION ppr from 50 to 1024	ZERO PULSE without zero pulse S with zero pulse Z	POWER SUPPLY 5 V DC 5 8 ... 24 V DC 8/24	VARIANT XXX custom version	OUTPUT TYPE PR radial cable output radial (standard length 0.5 m)	MAX ROTATION SPEED 3 3000 rpm	ENCLOSURE RATING X IP 54	SHAFT DIAMETER 6 mm	ELECTRONIC INTERFACE N NPN C NPN open collector P push-pull PC protected push-pull (AEIC-7272) L line driver
--	----------------------	--	--	--	---	--------------------------------------	---	---	------------------------------------	-------------------------------	--

N.B.: please directly contact our offices for pulses availability

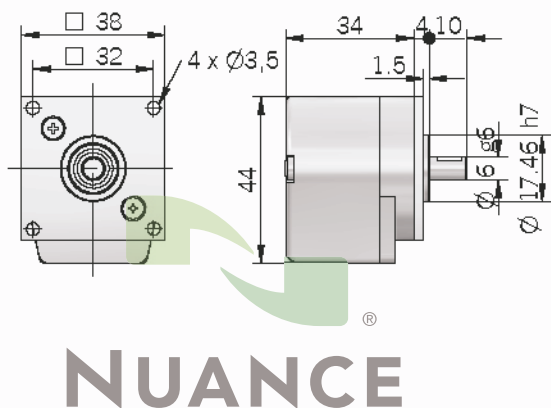
EH 38 A



EH 38 B



EH 38 D



Electrical specifications

Resolution	from 50 to 1024 ppr
Power supply	5 V DC \pm 10% 8 ... 24 V DC \pm 5%
Current consumption without load	100 mA max
Max load current	50 mA for channel 20 mA for channel (line driver)
Output type	NPN NPN open collector push-pull line driver
Max output frequency	100 kHz
Counting direction	A leads B clockwise (shaft view)
Electromagnetic compatibility	IEC 81000-6-1 IEC 81000-6-4

Mechanical specifications

Shaft diameter	\varnothing 6 mm
Enclosure rating	IP 54 (IEC 60529)
Max rotation speed	3000 rpm
Max shaft load	5 N (0.5 kp) axial 5 N (0.5 kp) radial
Shock	50 G, 11 ms (IEC 60068-2-27)
Vibration	10 G, 10 ... 2000 Hz (IEC 60068-2-6)
Body material	aluminum UNI 5076
Shaft material	1.4305 / AISI 303 stainless steel
Housing material	PA66 glass fiber reinforced
Bearings	2 ball bearings
Bearings life	10 ⁹ revolutions
Operating temperature	-20° ... +70°C
Storage temperature	-25° ... 70°C
Weight	100 g

Connections and standard colours

Function	Push pull / Npn / Npn open collector	Line driver
+VDC	red	red
0 V	black	black
Ch. A	green	green
Ch. A-	/	brown
Ch. B	yellow	yellow
Ch. B-	/	orange
Ch. Z	blue	blue
Ch. Z-	/	white
\equiv	shield	shield

NUANCE

EL - ER 40

A/B/C/E/H/I/N/X

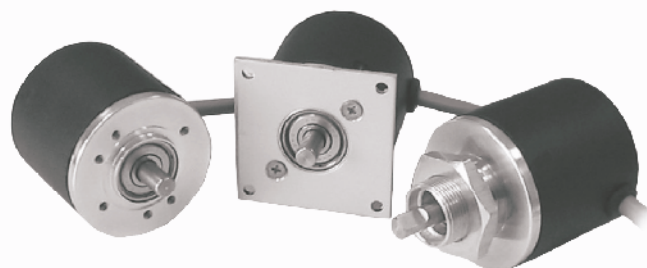
INCREMENTAL ENCODER



MAIN FEATURES

Miniaturized $\varnothing 42$ encoder series for general applications.

- Up to 25000 ppr with zero signal
- Several output types available
- Up to 28 V DC power supply
- Up to 220 kHz output frequency
- Cable output
- Up to 6000 RPM rotation speed
- Up to IP 66 sealing

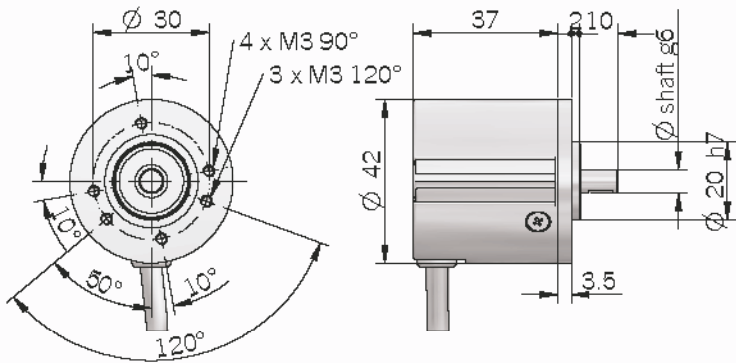


ORDERING CODE

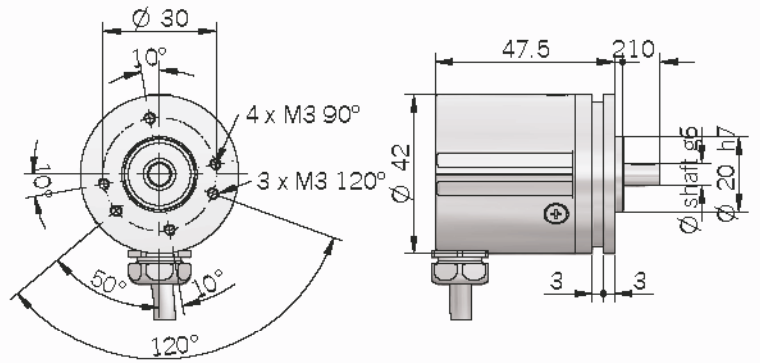
EL	40	A	500	Z	5/28	N	6	X	3	P	R	. XXX
SERIES	incremental encoder series EL	incremental encoder series ER										VARIANT XXX custom version
SIZE	mm 40											DIRECTION TYPE A axial (excluded EL - ER 40 X) R radial
TYPE	fixing flange $\varnothing 20$ mm A square flange $\square 36,5$ mm B fixing flange $\varnothing 17,48$ mm C fixing flange $\varnothing 15$ mm E threaded flange M18 H threaded flange M21 I synchronous flange $\varnothing 21$ mm N synchronous flange $\varnothing 30$ mm X											OUTPUT TYPE P cable output (standard length 0.5 m)
RESOLUTION	(EL - ER 40 A / B) max ppr 25000 (EL - ER 40 C / E / H / I / N / X) max ppr 2500											MAX ROTATION SPEED 3 3000 rpm 6 6000 rpm <i>N.B.: 3000 RPM max with S enclosure rating</i>
ZERO PULSE	without zero pulse S with zero pulse Z											ENCLOSURE RATING X IP 54 S IP 66 (optional for EL - ER 40 A / B)
POWER SUPPLY	(available only with L electronic output) 5 V DC 5 (available only with L or PC electronic output) 8 ... 24 V DC 8/24 5 ... 28 V DC 5/28											SHAFT DIAMETER 4 mm (EL - ER 40 A / B / C / E) 6 mm (EL - ER 40 A / B / C / H / I / N) 8 mm (EL - ER 40 X)
												ELECTRONIC INTERFACE N NPN C NPN open collector P push-pull PC protected push-pull (AEIO-7272) L line driver <i>N.B.: with N / C interface max 2500 ppr</i>

NUANCE

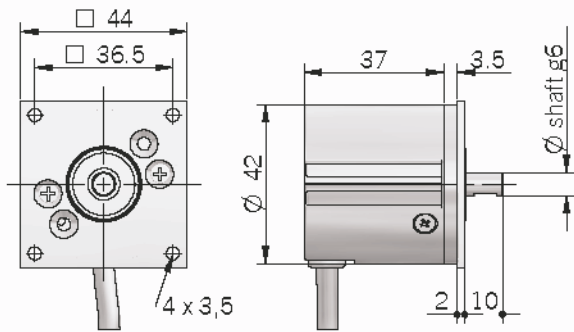
EL - ER 40 A



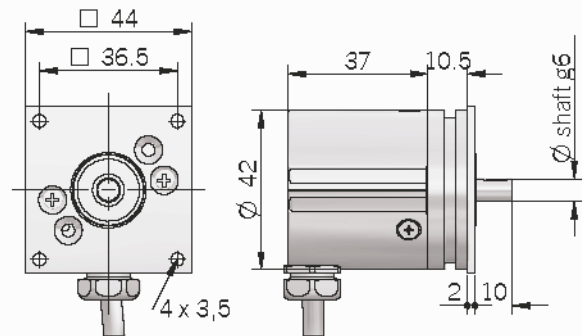
**EL - ER 40 A
IP 66 version**



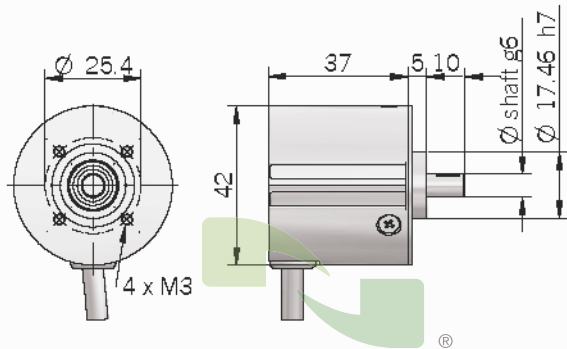
EL - ER 40 B



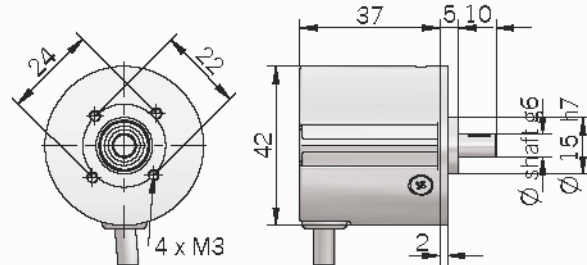
**EL - ER 40 B
IP 66 version**



EL - ER 40 C

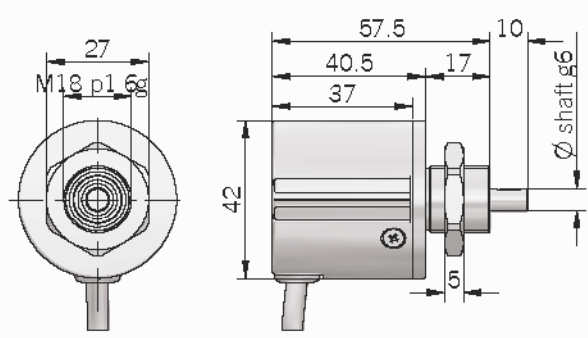


EL - ER 40 E

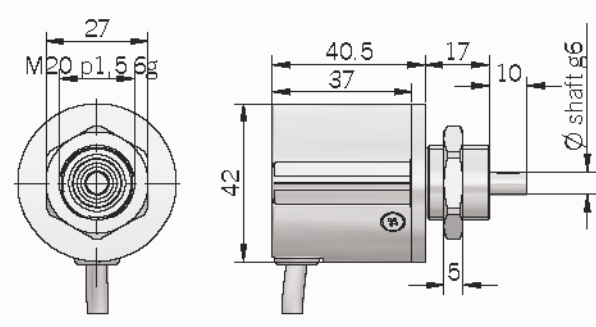


NUANCE

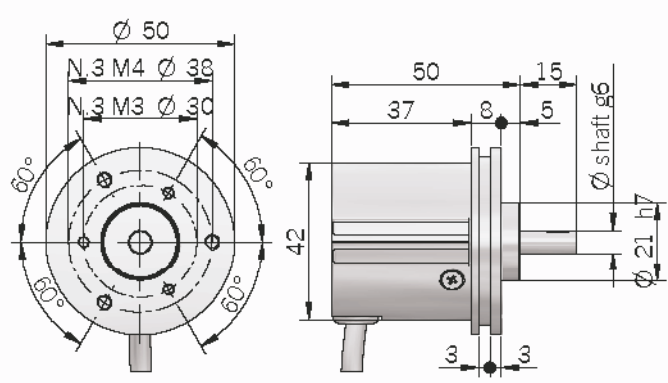
EL - ER 40 H



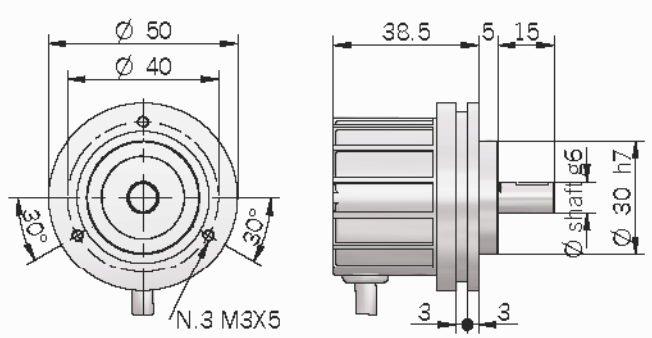
EL - ER 40 I



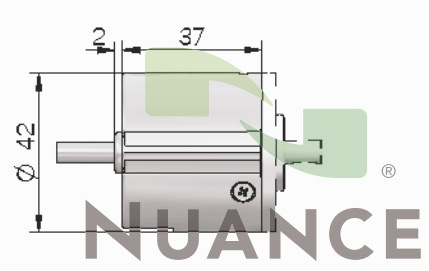
EL - ER 40 N



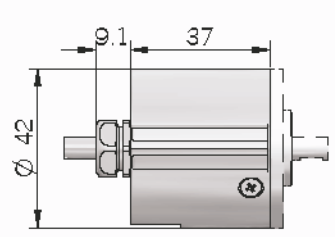
EL - ER 40 X



EL - ER 40 dimension with axial output



EL - ER 40 dimension with IP 66 axial output



Electrical specifications

Resolution	from 1 to 25000 ppr (EL - ER 40 A/B) from 1 to 2500 ppr (EL - ER 40 C/E/H/I/N/X)
Power supply	5 V DC \pm 10% 5 ... 28 V DC \pm 5% 8 ... 24 V DC \pm 5% (reverse polarity protection)
Current consumption without load	100 mA max
Max load current	50 mA for channel 20 mA for channel (line driver)
Output type	NPN NPN open collector push-pull line driver
Max output frequency	150 kHz EL series 220 kHz ER series
Counting direction	A leads B clockwise (shaft view)
Electromagnetic compatibility	IEC 61000-6-2 IEC 61000-6-4

Mechanical specifications

Shaft diameter	\varnothing 4 mm (EL - ER 40 A/B/C/E) \varnothing 6 mm (EL - ER 40 A/B/C/H/I/N) \varnothing 8 mm (EL - ER 40 X)
Enclosure rating	IP 54 (IEC 60529) IP 66 (optional for EL - ER 40 A/B) (IEC 60529)
Max rotation speed	3000 rpm 6000 rpm (only IP 54)
Max shaft load	5 N (0.5 kgf) axial 5 N (0.5 kgf) radial
Shock	50 G, 11 ms (IEC 60068-2-27)
Vibration	10 G, 10 ... 2000 Hz (IEC 60068-2-6)
Body material	EN-AW 2011 aluminum
Shaft material	1.4305 / AISI 303 stainless steel
Housing material	PA 66 glass fiber reinforced
Bearings	2 ball bearings
Bearings life	10 ⁹ revolutions
Operating temperature	-10° ... +60°C EL series -20° ... +70°C ER series
Storage temperature	-25° ... +70°C
Weight	100 g

Connections and standard colours

Function	Push pull / Npn / Npn open collector	Line driver
+VDC	red	red
0 V	black	black
Ch. A	green	green
Ch. A-	/	brown
Ch. B	yellow	yellow
Ch. B-	/	orange
Ch. Z	blue	blue
Ch. Z-	/	white
—	shield	shield

Resolutions ER series

100 - 120 - 128 - 150 - 200 - 240 - 250 - 256 - 300 - 360 - 400 - 480
- 500 - 512 - 600 - 625 - 720 - 750 - 800 - 900 - 1000 - 1024 - 1200 - 1250
- 1440 - 1500 - 1600 - 1800 - 2000 - 2048 - 2500

Resolutions EL series

1 - 2 - 4 - 5 - 10 - 15 - 16 - 20 - 30 - 32 - 40 - 50 - 70 - 80 - 90 - 160 - 180
- 350 - 450 - 660 - 700 - 2880 - 3000 - 3600 - 4000 - 4096 - 5000 - 6000
- 7200 - 7500 - 8000 - 8192 - 10000 - 10240 - 12000 - 15000 - 16000
- 16384 - 20000 - 20480 - 25000

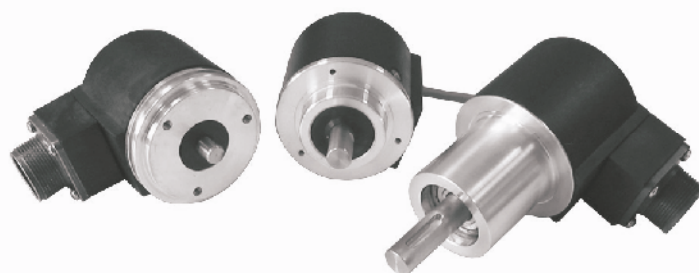


NUANCE

MAIN FEATURES

Standard \varnothing 58 encoder series for industrial applications with high mechanical resistance requirements. These encoders are designed to support high radial and axial shaft load and they can be mounted by means of flanges or servo-fasteners.

- Up to 25000 ppr with zero signal
- Several output types available
- Up to 28 V DC power supply
- Up to 300 kHz output frequency
- Cable or connector output
- Several flanges available
- Up to 6000 RPM rotation speed
- Up to IP 66 sealing

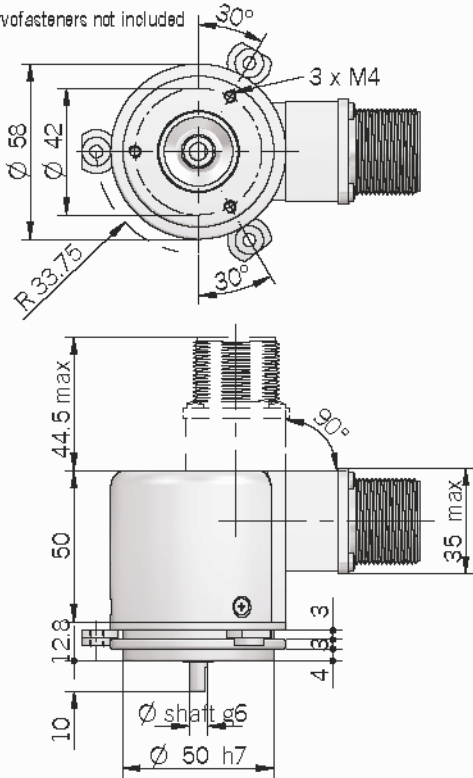


ORDERING CODE

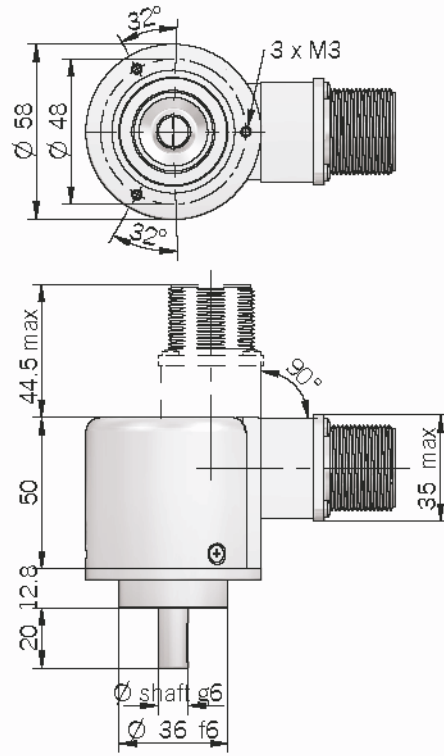
EL	58	B	M*	1000	Z	5/28	P	6	X	6	P	R	.	XXX
SERIES incremental encoder series EL												VARIANT XXX custom version		
SIZE mm 58												DIRECTION TYPE A axial R radial		
TYPE synchronous flange \varnothing 50 mm B fixing flange \varnothing 36 mm C fixing flange \varnothing 50 mm H coupling flange \varnothing 40 mm T												OUTPUT TYPE P cable output (standard length 1,5 m) M M connector output J J connector output		
METAL COVER M * add for the metal cover												MAX ROTATION SPEED 3 3000 rpm 6 6000 rpm <i>N.B.: 3000 RPM max with S enclosure rating</i>		
RESOLUTION ppr from 1 to 25000 <i>N.B.: please directly contact our offices for pulses availability</i>												ENCLOSURE RATING X IP 54 S IP 66 (optional)		
ZERO PULSE without zero pulse S with zero pulse Z												SHAFT DIAMETER 6 mm (EL 58 B / C / H) 8 mm (EL 58 B / C / H) 9 \varnothing 9,52 (3/8") mm (EL 58 B / C / H) 10 mm (EL 58 B / C / H / T) 12 mm (EL 58 T)		
POWER SUPPLY (available only with L electronic output) 5 V DC 5 (available only with L or PC electronic output) 8 ... 24 V DC 8/24 5 ... 28 V DC 5/28												ELECTRONIC INTERFACE N NPN C NPN open collector P push-pull PC protected push-pull (AEIC-7272) L line driver		

EL 58 B

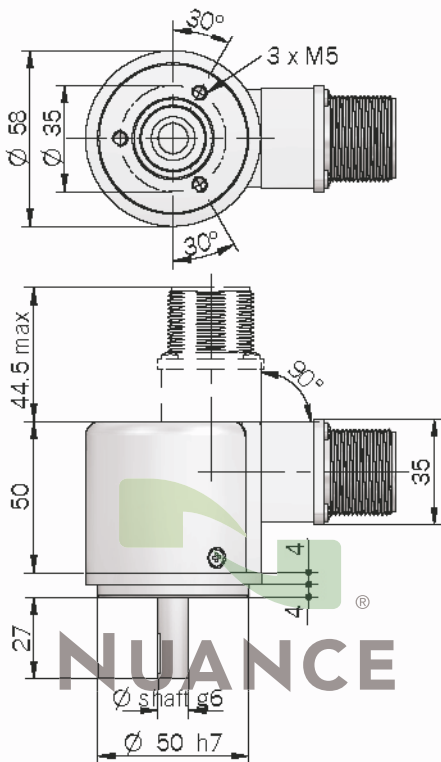
* servofasteners not included



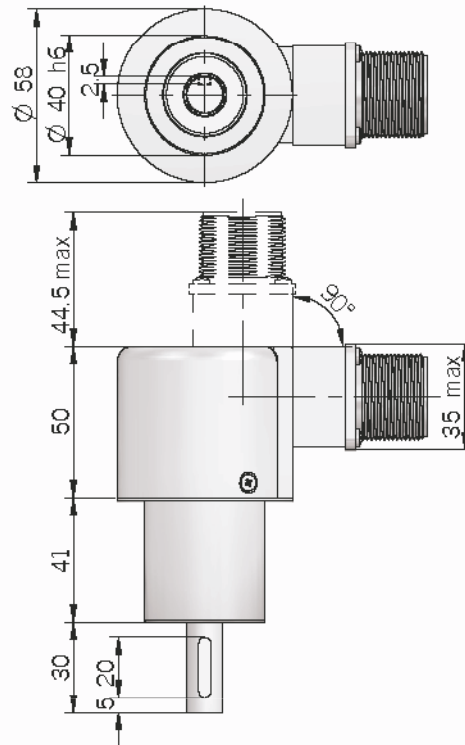
EL 58 C



EL 58 H

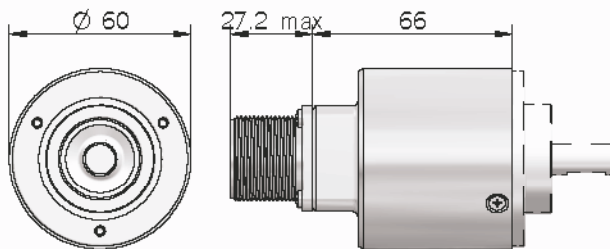


EL 58 T

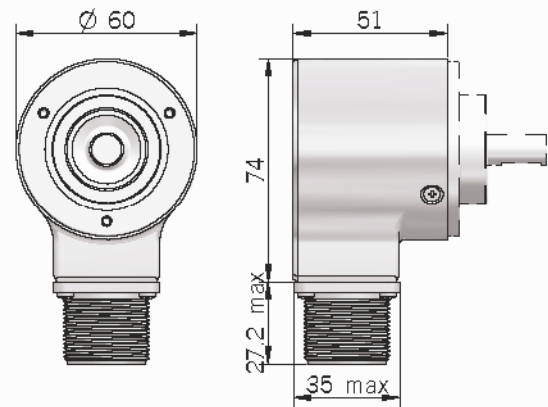


NUANCE

Dimensions with metal cover axial output



Dimensions with metal cover radial output



Electrical specifications

Resolution	from 1 to 25000 ppr
Power supply	5 V DC \pm 10% 5 ... 28 V DC \pm 5% 8 ... 24 V DC \pm 5% (reverse polarity protection)
Power draw without load	800 mW
Max load current	50 mA for channel 20 mA for channel (line driver)
Output type	NPN NPN open collector push-pull line driver
Max output frequency	300 kHz
Counting direction	A leads B clockwise (shaft view)
Electromagnetic compatibility	IEC 61000-6-2 IEC 61000-6-4

Mechanical specifications

Shaft diameter	ϕ 6 / 8 / 9,52 (3/8") / 10 mm (EL 58 B / C / H) ϕ 10 / 12 mm (EL 58 T)
Enclosure rating	IP 54 (IEC 60529) IP 66 (optional) (IEC 60529)
Max rotation speed	3000 rpm 6000 rpm (only with IP 54)
Max shaft load	10 N (1 kgf) axial with ϕ 6 mm shaft 20 N (2 kgf) radial with ϕ 6 mm shaft 200 N (20 kgf)
Shock	50 G, 11 ms up to 2500 ppr (IEC 60068-2-27) 20 G, 11 ms from 3000 ppr (IEC 60068-2-27)
Vibration	10 G, 10 ... 2000 Hz (IEC 60068-2-8)
Body material	EN-AW 2011 aluminum
Shaft material	1.4305 / AISI 303 stainless steel
Housing material	PA 66 glass fiber reinforced / painted aluminum
Bearings	2 ball bearings
Bearings life	10 ⁹ revolutions
Operating temperature	-10° ... +60°C
Storage temperature	-25° ... +70°C
Weight	300 g

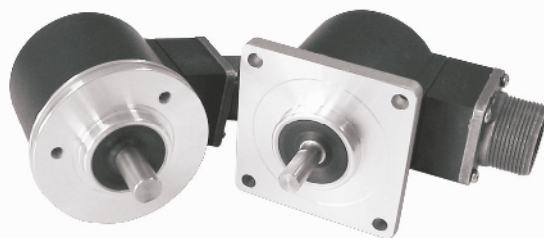
Connections

Function	N / C / P cable output	Line driver cable output	Output J7 N / C / P	Output J7 Line Driver without Zero	Output M7 N / C / P	Output M7 Line Driver without Zero	Output J10 Line Driver with Zero	Output M10 Line Driver with Zero
+V DC	red	red	6	4	F	D	4 - 5	D - E
0 V	black	black	1	6	A	F	6	F
Ch. A	green	green	3	1	C	A	1	A
Ch. A-	/	brown	/	3	/	C	7	G
Ch. B	yellow	yellow	5	2	E	B	2	B
Ch. B-	/	orange	/	5	/	E	8	H
Ch. Z	blue	blue	4	/	D	/	3	C
Ch. Z-	/	white	/	/	/	/	9	I
⊥	shield	shield	7	7	G	G	10	J

MAIN FEATURES

Standard \varnothing 63 encoder series for industrial applications with high mechanical resistance requirements. These encoders are designed to support high radial and axial shaft load and they can be mounted by means of flanges or servo-fasteners.

- Up to 25000 ppr with zero signal
- Several output types available
- Up to 28 V DC power supply
- Up to 300 kHz output frequency
- Cable or connector output
- Several flanges available
- Up to 6000 RPM rotation speed
- Up to IP 66 sealing

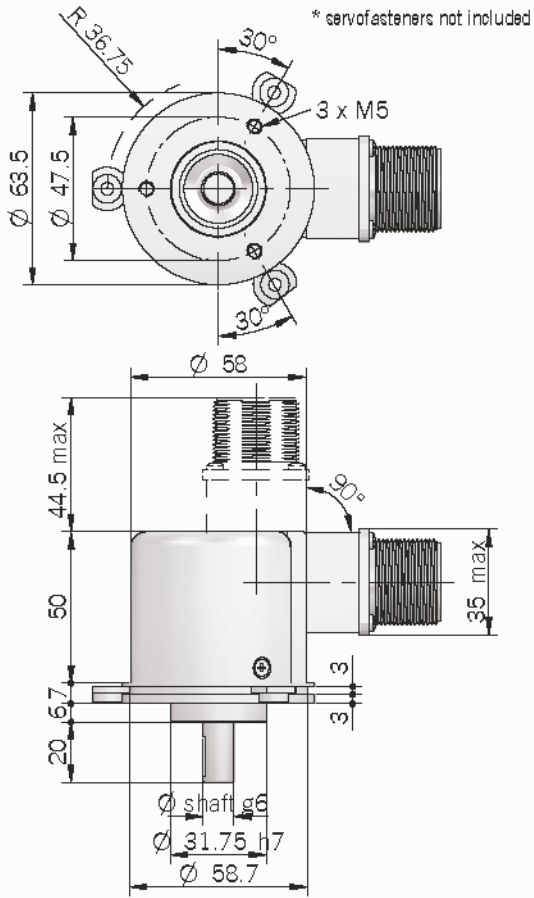


ORDERING CODE

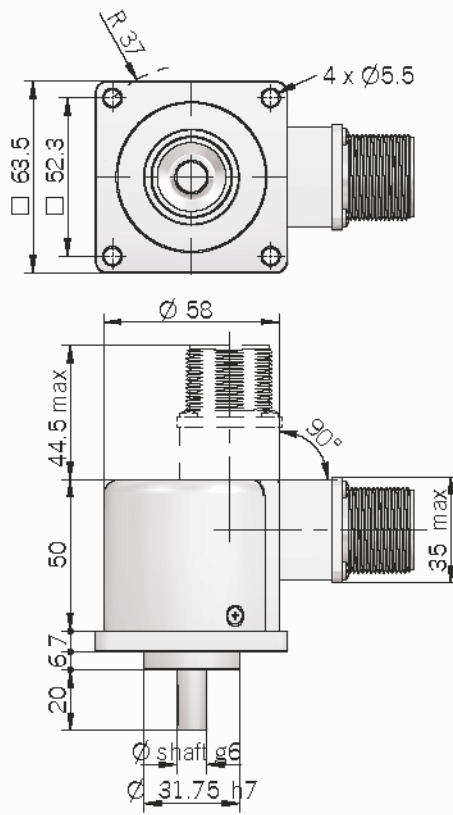
EL	63	A	M*	1000	Z	5/28	P	6	X	6	M	R	.	XXX
SERIES												VARIANT		
incremental encoder series EL												XXX custom version		
SIZE												DIRECTION TYPE		
mm 63												A axial		
TYPE												OUTPUT TYPE		
synchronous flange \varnothing 31.75 mm A												P cable output (standard length 1,5 m)		
centering square flange \varnothing 31.75 mm D												M M connector output		
centering square flange \varnothing 50 mm E												J J connector output		
METAL COVER												MAX ROTATION SPEED		
M												3 3000 rpm		
* add for metal cover												6 6000 rpm		
												<i>N.B.: 3000 RPM max with S enclosure rating</i>		
RESOLUTION												ENCLOSURE RATING		
ppr from 1 to 25000												X IP 54		
<i>N.B.: please directly contact our offices for pulses availability</i>												S IP 66 (optional)		
ZERO PULSE												SHAFT DIAMETER		
without zero pulse S												8 mm		
with zero pulse Z												9 \varnothing 9,52 (3/8") mm		
												10 mm		
POWER SUPPLY												ELECTRONIC INTERFACE		
(available only with L electronic output) 5 V DC 5												N NPN		
(available only with L or PC electronic output) 8 ... 24 V DC 8/24												C NPN open collector		
5 ... 28 V DC 5/28												P push-pull		
												PC protected push-pull (AEIC-7272)		
												L line driver		

NUANCE

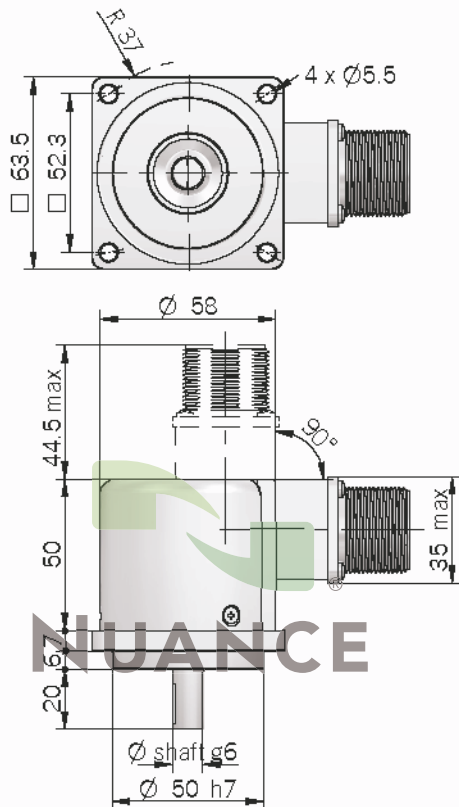
EL 63 A



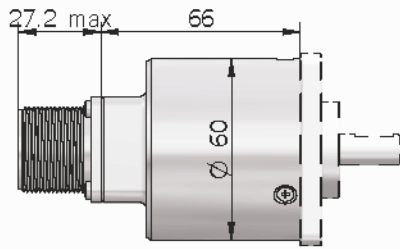
EL 63 D



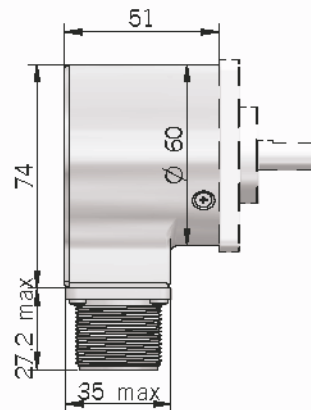
EL 63 E



Dimensions with metal cover axial output



Dimensions with metal cover radial output



Electrical specifications	
Resolution	from 1 to 25000 ppr
Power supply	5 V DC \pm 10% 5 ... 28 V DC \pm 5% 8 ... 24 V DC \pm 5% (reverse polarity protection)
Power draw without load	800 mW
Max load current	50 mA for channel 20 mA for channel (line driver)
Output type	NPN NPN open collector push-pull line driver
Max output frequency	300 kHz
Counting direction	A leads B clockwise (shaft view)
Electromagnetic compatibility	IEC 61000-6-2 IEC 61000-6-4

Mechanical specifications	
Shaft diameter	\varnothing 8 / 9,52 (3/8") / 10 mm
Enclosure rating	IP 54 (IEC 60529) IP 68 (optional) (IEC 60529)
Max rotation speed	3000 rpm 6000 rpm (only with IP 54)
Max shaft load	200 N (20 kgf)
Shock	50 G, 11 ms up to 2500 ppr (IEC 60068-2-27) 20 G, 11 ms from 3000 ppr (IEC 60068-2-27)
Vibration	10 G, 10 ... 2000 Hz (IEC 60068-2-6)
Body material	EN-AW 2011 aluminum
Shaft material	1.4305 / AISI 303 stainless steel
Housing material	PA 66 glass fiber reinforced / painted aluminum
Bearings	2 ball bearings
Bearings life	10 ⁹ revolutions
Operating temperature	-10° ... +60°C
Storage temperature	-25° ... +70°C
Weight	350 g

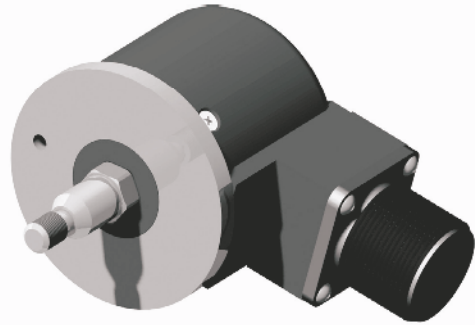
Connections								
Function	N / C / P cable output	Line driver cable output	Output J7 N / C / P	Output J7 Line Driver without Zero	Output M7 N / C / P	Output M7 Line Driver without Zero	Output J10 Line Driver with Zero	Output M10 Line Driver with Zero
+V DC	red	red	8	4	F	D	4 - 5	D - E
0 V	black	black	1	6	A	F	6	F
Ch. A	green	green	3	1	C	A	1	A
Ch. A-	/	brown	/	3	/	C	7	G
Ch. B	yellow	yellow	5	2	E	B	2	B
Ch. B-	/	orange	/	5	/	E	8	H
Ch. Z	blue	blue	4	/	D	/	3	C
Ch. Z-	/	white	/	/	/	/	9	I
⊕	shield	shield	7	7	G	G	10	J

NUANCE

MAIN FEATURES

Standard ø 63 encoder series for industrial applications with high mechanical resistance requirements. These encoders are designed to support high radial and axial shaft load and they can be mounted by means of flanges or servo-fasteners.

- Up to 2500 ppr with zero.
- Several output types available
- Up to 28 V DC power supply.
- Up to 150 kHz output frequency.
- Cable or connector output
- Up to 6000 RPM rotation speed
- Up to IP 54 sealing



HOLLOW SHAFT INCREMENTAL ENCODERS

ORDERING CODE

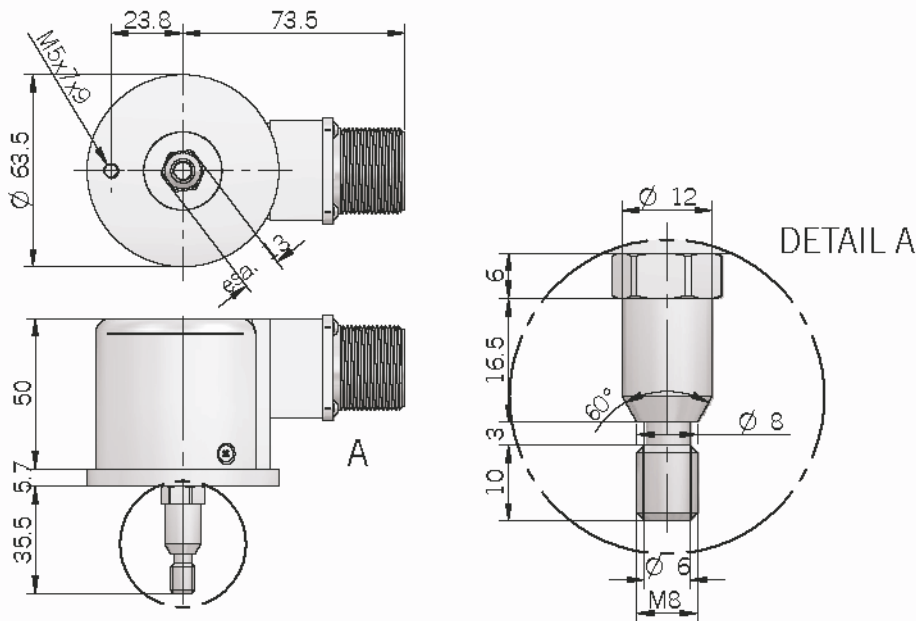
EL 63 M 1000 Z 5/28 P 12/8 X 6 M R . XXX

SERIES incremental encoder series EL	SIZE mm 63	TYPE with M8 threaded shaft M	RESOLUTION ppr from 1 to 2500 <i>N.B.: please directly contact our offices for pulses availability</i>	ZERO PULSE without zero pulse S with zero pulse Z	POWER SUPPLY (available only with L electronic output) 5 V DC 5 (available only with L or PC electronic output) 8 ... 24 V DC 8/24 5 ... 28 V DC 5/28	MAX ROTATION SPEED 3 3000 rpm 6 6000 rpm	ENCLOSURE RATING X IP 54	SHAFT DIAMETER 12/8 mm ø12/M8	VARIANT XXX custom version	DIRECTION TYPE A axial R radial	OUTPUT TYPE P cable output (standard length 1,5 m) M M connector output J J connector output
--	----------------------	---	---	--	---	---	------------------------------------	---	--------------------------------------	--	--

NUANCE

- ELECTRONIC INTERFACE**
- N NPN
 - O NPN open collector
 - P push-pull
 - PC protected push-pull (AEIC-7272)
 - L line driver

EL 63 M



Electrical specifications	
Resolution	from 1 to 2500 ppr
Power supply	5 V DC \pm 10%
	5 ... 28 V DC \pm 5%
	8 ... 24 V DC \pm 5% (reverse polarity protection)
Current consumption without load	100 mA max
Max load current	50 mA for channel
	20 mA for channel (line driver)
Output type	NPN
	NPN open collector
	push-pull line driver
Max output frequency	150 kHz
Counting direction	A leads B clockwise (shaft view)
Electromagnetic compatibility	IEC 61000-6-2
	IEC 61000-6-4

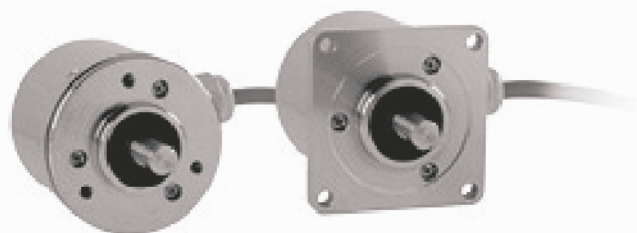
Mechanical specifications	
Shaft diameter	\varnothing 12/M8
Enclosure rating	IP 54 (IEC 60529)
Max rotation speed	3000 rpm
	6000 rpm
Max shaft load	200 N (20 Kp)
Shock	50 G, 11 ms up to 2500 ppr (IEC 60068-2-27)
Vibration	10 G, 10 ... 2000 Hz (IEC 60068-2-6)
Body material	EN-AW 2011 aluminum
Shaft material	1.4305 / AISI 303 stainless steel
Housing material	PA 66 glass fiber reinforced
Bearings	2 ball bearings
Bearings life	10 ⁹ revolutions
Operating temperature	-10° ... +80°C
	Storage temperature
Weight	350 g

Connections								
Function	N / C / P cable output	Line driver cable output	Output J7 N / C / P	Output J7 Line Driver without Zero	Output M7 N / C / P	Output M7 Line Driver without Zero	Output J10 Line Driver with Zero	Output M10 Line Driver with Zero
+V DC	red	red	6	4	F	D	4 - 5	D - E
0 V	black	black	1	6	A	F	6	F
Ch. A	green	green	3	1	C	A	1	A
Ch. A-	/	brown	/	3	/	C	7	G
Ch. B	yellow	yellow	5	2	E	B	2	B
Ch. B-	/	orange	/	5	/	E	8	H
Ch. Z	blue	blue	4	/	D	/	3	C
Ch. Z-	/	white	/	/	/	/	9	I
⊥	shield	shield	7	7	G	G	10	J

MAIN FEATURES

Thanks to the stainless steel enclosure, this encoder is suitable for food and beverage machinery, cranes and winches for ships, offshore applications, washing systems and for all those environments where high corrosion resistance is required.

- Up to 25000 ppr.
- Several output types available
- Up to 28 V DC power supply.
- Up to IP 66 sealing

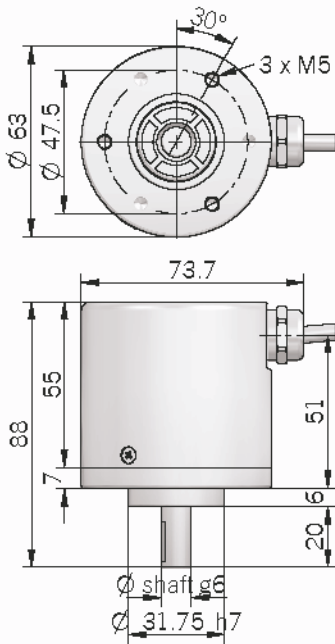


ORDERING CODE

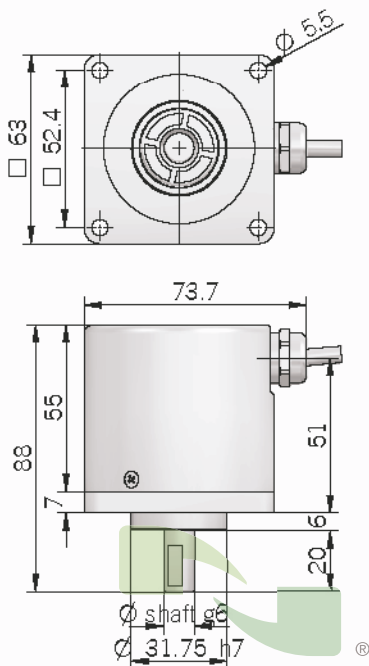
EL	63	AX	1024	Z	5/28	L	10	S	3	PC	R	. XXX
SERIES												VARIANT
incremental encoder series EL												XXX custom version
SIZE												DIRECTION TYPE
mm 63												R radial
TYPE												OUTPUT TYPE
synchronous flange \varnothing 31.75 mm AX												PC cable output with cable gland (standard length 1.5 m)
centering square flange \varnothing 31.75 mm DX												
RESOLUTION												MAX ROTATION SPEED
ppr from 1 to 25000												3 3000 rpm
<i>N.B.: please directly contact our offices for pulses availability</i>												ENCLOSURE RATING
												S IP 66
ZERO PULSE												SHAFT DIAMETER
without zero pulse S												6 \varnothing 6 mm
with zero pulse Z												8 \varnothing 8 mm
												9 \varnothing 9,52 mm (3/8")
												10 \varnothing 10 mm
POWER SUPPLY												ELECTRONIC INTERFACE
(available only with L electronic output) 5 V DC 5												N NPN
(available only with L or PC electronic output) 8 ... 24 V DC 8/24												C NPN open collector
5 ... 28 V DC 5/28												P push-pull
												PC protected push-pull (AEIC-7272)
												L line driver

NUANCE

EL 63 AX



EL 63 DX



NUANCE

Electrical specifications

Resolution	from 1 to 25000 ppr
Power supply	5 V DC \pm 10% 5 ... 28 V DC \pm 5% 8 ... 24 V DC \pm 5% (reverse polarity protection)
Current consumption without load	100 mA max
Max load current	50 mA for channel 20 mA for channel (line driver)
Output type	NPN NPN open collector push-pull line driver
Max output frequency	300 kHz
Counting direction	A leads B clockwise (shaft view)
Electromagnetic compatibility	IEC 61000-6-2 IEC 61000-6-4

Mechanical specifications

Shaft diameter	ϕ 6 / 8 / 9,52 (3/8") / 10 mm
Enclosure rating	IP 66 (IEC 60529)
Max rotation speed	3000 rpm
Max shaft load	200 N (20 kgf)
Shock	50 G, 11 ms up to 2500 ppr (IEC 60068-2-27) 20 G, 11 ms from 3000 ppr (IEC 60068-2-27)
Vibration	10 G, 10 ... 2000 Hz (IEC 60068-2-6)
Body material	1.4305 / AISI 303 stainless steel
Shaft material	1.4305 / AISI 303 stainless steel
Housing material	1.4305 / AISI 303 stainless steel
Bearings	2 ball bearings
Bearings life	10 ⁹ revolutions
Operating temperature	-10° ... +60°C
Storage temperature	-15° ... +70°C
Weight	650 g

Connections and standard colours

Function	Push pull / Npn / Npn open collector	Line driver
+VDC	red	red
0 V	black	black
Ch. A	green	green
Ch. A-	/	brown
Ch. B	yellow	yellow
Ch. B-	/	orange
Ch. Z	blue	blue
Ch. Z-	/	white
---	shield	shield

MAIN FEATURES

Flameproof encoders for applications within explosive and hazardous areas.

- Up to 10000 ppr with zero
- Several output types available
- Up to 28 V dc input voltage
- Output cable
- Several flanges available
- Up to 3000 rpm speed rotation
- Up to IP 65 sealing

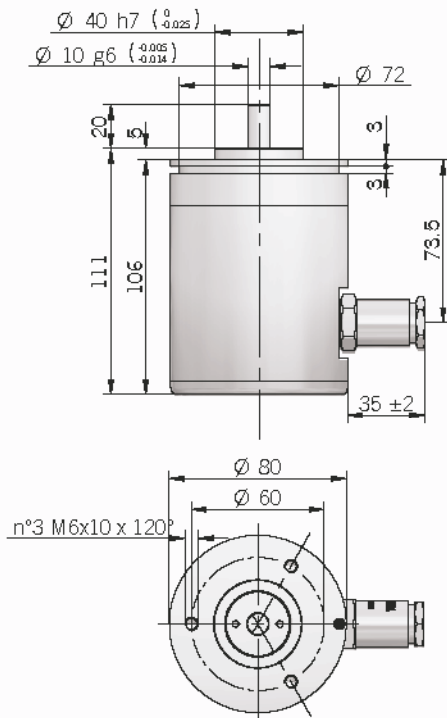


EN 60079-0:2006 / EN 60079-1:2007
 EN 61241-0:2006 / EN 61241-1:2004
 ATEX certificate number: CESI 04 ATEX 082

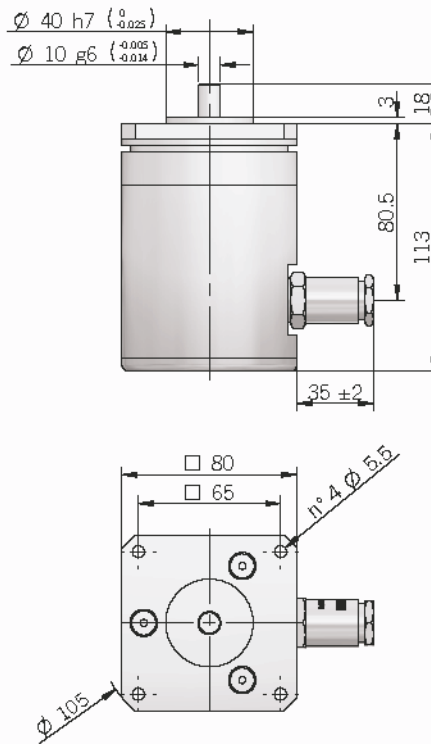
ORDERING CODE

<p>SERIES flameproof encoder EX</p> <p>SIZE mm 80</p> <p>TYPE synchronous flange \varnothing 40 mm A square flange \square 65 mm D</p> <p>RESOLUTION ppr from 1 to 10000 <i>N.B.: please directly contact our offices for pulses availability</i></p> <p>ZERO PULSE without zero pulse S with zero pulse Z</p> <p>POWER SUPPLY (available only with L electronic output) 5 V DC 5 (available only with L or PC electronic output) 8 ... 24 V DC 8/24 5 ... 28 V DC 5/28</p>	<p>EX 80 A 1000 Z 5/28 P 10 X 3 PR . XXX</p> <p>VARIANT XXX custom version</p> <p>OUTPUT TYPE PR radial cable output (standard length 1.5 m)</p> <p>MAX ROTATION SPEED 3 3000 rpm</p> <p>ENCLOSURE RATING X IP 65</p> <p>SHAFT DIAMETER 6 mm 8 mm 10 mm</p> <p>ELECTRONIC INTERFACE N NPN O NPN open collector P push-pull PC protected push-pull (AEIC-7272) L line driver</p>
---	--

EX 80 A



EX 80 D



Electrical specifications

Resolution	from 1 to 10000 ppr
Power supply	5 V DC \pm 10% 5 ... 28 V DC \pm 5% 8 ... 24 V DC \pm 5% (reverse polarity protection)
Current consumption without load	80 mA max
Max load current	50 mA per channel 20 mA per channel (line driver)
Electronic interface for incremental signals	NPN NPN open collector push-pull line driver
Max output frequency	200 kHz
Counting direction	A leads B clockwise (shaft view)
Electromagnetic compatibility	IEC 61000-6-2 IEC 61000-6-3

Mechanical specifications

Shaft diameter	6 / 8 / 10 mm
Enclosure rating	IP 65 (IEC 60529)
Max rotation speed	3000 rpm
Max shaft load	200 N (20 Kgf) axial / radial
Shock	50 G, 11 ms (IEC 60068-2-27)
Vibrations	10 G, 10-2000 Hz (IEC 60068-2-6)
Bearings	n° 2 ball bearings
Bearings life	10 ⁹ revolutions
Body material	anodized aluminum
Shaft material	1.4305 / AISI 303 stainless steel
Housing material	anodized aluminum
Operating temperature	-20° ... +50 °C
Storage temperature	-15° ... +70 °C
Weight	1200 g

Ex II 2GD Ex d IIC T6 Ex tD A21 IP65 T85°C

Ex II 2GD

II: group II: other than mines
2: category 2: zone 1 (GAS), zone 21 (DUST)
GD: gas, vapours, mist, cloud of dust

Ex d IIC T6

Ex d: flameproof enclosure safety type
IIC: gas subdivision IIC
T6: max surface temperature 85°C

Ex tD A21 IP65 T85°C

Ex tD: flameproof enclosure safety type
A: IP grade testing method
21: zone 21
IP65: protection grade IP65
T85°C: max surface temperature 85°C

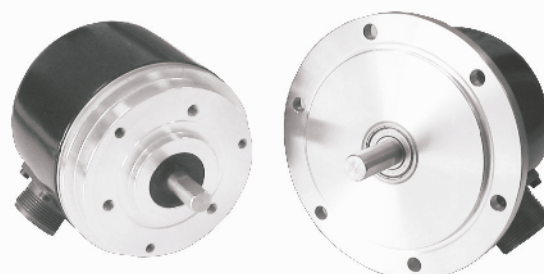
Connections and standard colours

Function	Line driver	Push pull / Npn / Npn open collector
+V DC	brown	brown
0 V	gray	gray
Ch. A	green	green
Ch. A-	red	/
Ch. B	yellow	yellow
Ch. B-	pink	/
Ch. Z	blue	white
Ch. Z-	white	/
⊕	shield	shield

MAIN FEATURES

Encoder series for critical environments with high mechanical resistance requirements. The 90 model can be mounted by means of flanges or servo-fasteners; the 115 model has a tachometer generator REO-444 type compatible plug.

- Up to 2048 ppr
- Several output types available
- Up to 24 V DC
- Up to 100 kHz
- Cable or connector output
- Up to 6000 RPM rotation speed
- Up to IP 66 sealing for model 90 A



ORDERING CODE

RELAY INTERVENTION SPEED
from 600 to 4300
N.B.: for higher speeds contact our offices directly

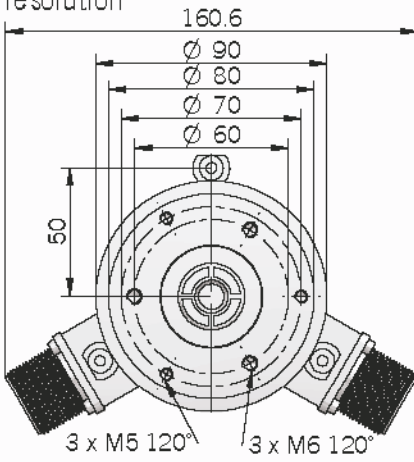
EH	90	A	1000	Z	8/24	N	1000	Z	8/24	N	8	X	6	M	R	.XXX + 2000	
SERIES		INCREMENTAL ENCODER SERIES EH														VARIANT	
SIZE		mm 90 mm 115														XXX custom version	
TYPE		synchronous flange ø 40 mm (mod. 90) flange REO444 (mod. 115) A flange REO 444 with centrifugal relay (mod. 115) R														DIRECTION TYPE	
RESOLUTION		ppr from 200 to 2048 <i>N.B.: please directly contact our offices for pulses availability</i>														OUTPUT TYPE	
ZERO PULSE		without zero pulse S with zero pulse Z														MAX ROTATION SPEED	
POWER SUPPLY		(excluding electronic PC) 5 V DC 5 8 ... 24 V DC 8/24														ENCLOSURE RATING	
ELECTRONIC INTERFACE		NPN N NPN open collector C PUSH PULL P protected push-pull (AEIC-7272) PC line driver L														SHAFT DIAMETER	
OUTPUT TYPE		P cable output (standard length 1,5 m) M connector output J connector output														8 mm (EH 90) 9 ø 9,52 (3/8") mm (EH 90) 10 mm (EH 90 / EH 115) 11 mm (EH 115)	
POWER SUPPLY																OUTPUT TYPE	
ZERO PULSE																X IP 54 S IP 66 (optional) for model EH 90	
RESOLUTION																RESOLUTION	



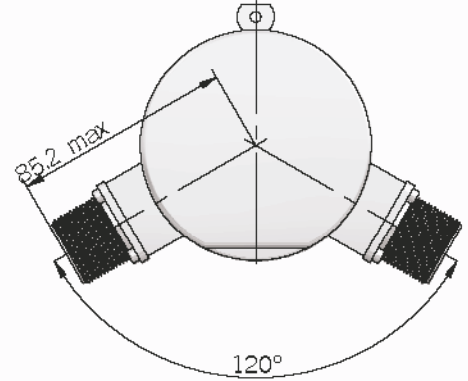
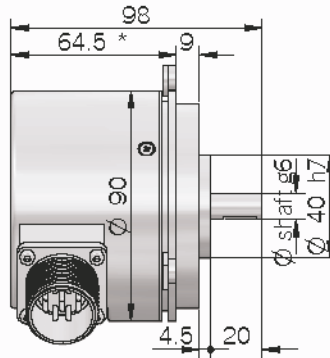
N.B.: To be indicated only in the models "A" for double electronics and double resolution. See examples:

- Double resolution and double electronics: EH90A1024Z5L-2048Z8/24L10X...
- Double resolution and same electronics: EH90A1024-2048Z5L10X...
- Same resolution and double electronics: EH90A1024Z5L-Z8/24L10X...

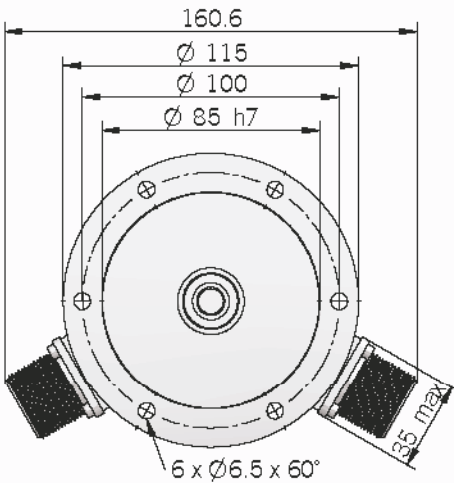
EH 90 A
with double electronics / resolution



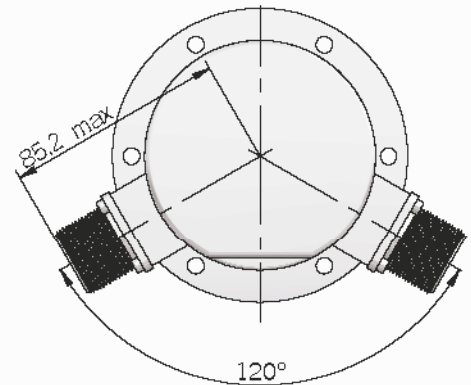
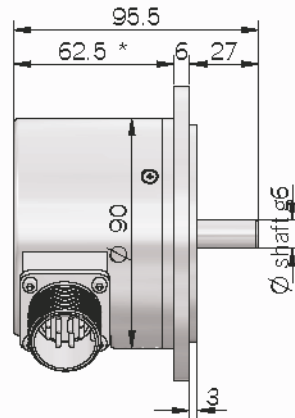
servofasteners not included
* with double resolution + 3.5mm



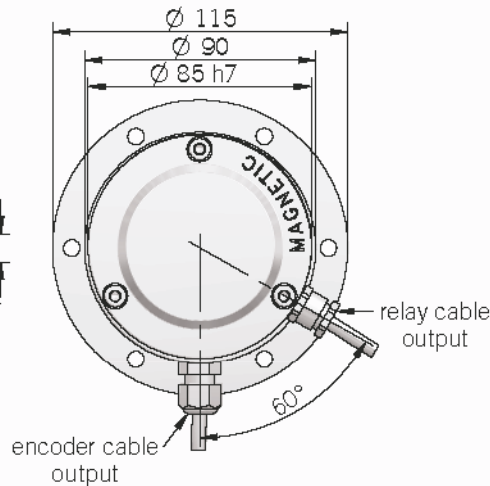
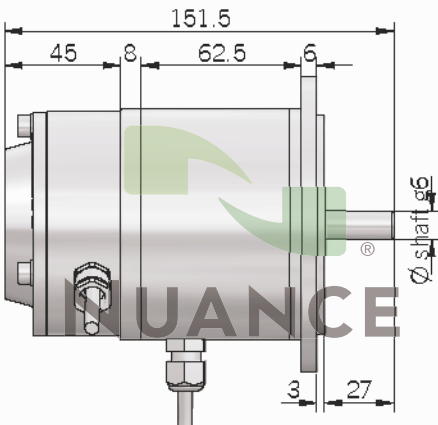
EH 115 A
with double electronics / resolution



* with double resolution + 3.5mm



EH 115 R
with centrifugal relay



Electrical specifications

Resolution	from 200 to 2048 ppr
Power supply	5 V DC \pm 10% 8 ... 24 V DC \pm 5% (reverse polarity protection)
Current consumption without load	100 mA max
Max load current	50 mA for channel 20 mA for channel (line driver)
Output type	NPN NPN open collector push-pull line driver
Max output frequency	100 kHz
Counting direction	A leads B clockwise (shaft view)
Electromagnetic compatibility	IEC 61000-6-1 IEC 61000-6-3

Relay characteristics

Intervention speed	from 600 to 4300 rpm
Accuracy	\pm 3 %
Contact capacity	2 A / 250 V AC 3,3 A / 125 V AC
Type of contact	Normally Closed (NC)

Mechanical specifications

Shaft diameter	\varnothing 8 / 9,52 (3/8") / 10 mm (EH 90) \varnothing 10 / 11 mm (EH 115)
Enclosure rating	IP 54 (IEC 60529) IP 66 (optional for EH 90) (IEC 60529)
Max rotation speed	3000 rpm 6000 rpm (only with IP 54)
Max shaft load	200 N (20 Kgf) axial 200 N (20 Kgf) radial
Shock	50 G, 11 ms (IEC 60068-2-27)
Vibration	10 G, 10 ... 2000 Hz (IEC 60068-2-6)
Body material	EN-AW 2011 aluminum
Shaft material	1.4305 / AISI 303 stainless steel
Housing material	painted aluminum
Bearings	2 ball bearings
Bearings life	10 ⁹ revolutions
Operating temperature	-10° ... +60°C
Storage temperature	-25° ... +70°C
Weight	750 g

Connections

Function	N / C / P cable output	Line driver cable output	Output J7 N / C / P	Output J7 Line Driver without Zero	Output M7 N / C / P	Output M7 Line Driver without Zero	Output J10 Line Driver with Zero	Output M10 Line Driver with Zero
+V DC	red	red	6	4	F	D	4 - 5	D - E
0 V	black	black	1	6	A	F	6	F
Ch. A	green	green	3	1	C	A	1	A
Ch. A-	/	brown	/	3	/	C	7	G
Ch. B	yellow	yellow	5	2	E	B	2	B
Ch. B-	/	orange	/	5	/	E	8	H
Ch. Z	blue	blue	4	/	D	/	3	C
Ch. Z-	/	white	/	/	/	/	9	I
\perp	shield	shield	7	7	G	G	10	J





EL 90 A
EL 115 A

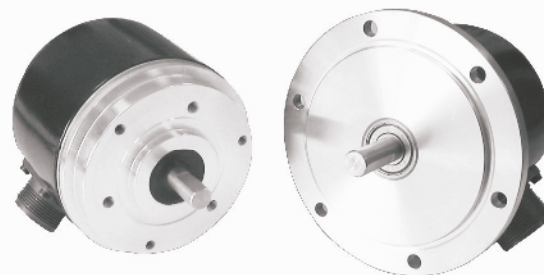
INCREMENTAL ENCODER



MAIN FEATURES

Encoder series for critical environments with high mechanical resistance requirements. The 90 model can be mounted by means of flanges or servo-fasteners; the 115 model has a tachometer generator REO-444 type compatible plug.

- Up to 10000 ppr with zero
- Several output types available
- Up to 28 V DC power supply
- Up to 300 kHz output frequency
- Cable or connector output
- Several flanges available
- Up to 6000 RPM rotation speed
- Up to IP 66 sealing for model 90 A



SOLID SHAFT INCREMENTAL ENCODERS

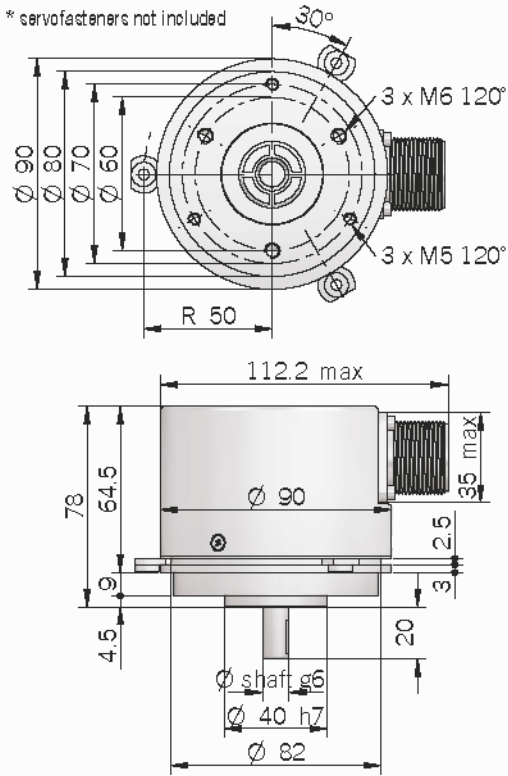
ORDERING CODE

SERIES incremental encoder series EL	SIZE mm 90 mm 115	TYPE synchronous flange ø 40 mm (mod. 90) flange REO444 (mod. 115) A	RESOLUTION ppr from 1 to 10000 <i>N.B.: please directly contact our offices for pulses availability</i>	ZERO PULSE without zero pulse S with zero pulse Z	POWER SUPPLY (available only with L electronic output) 5 V DC 5 (available with L or PC electronic output) 8 ... 24 V DC 8/24 5 ... 28 V DC 5/28	ELECTRONIC INTERFACE NPN N NPN open collector C push-pull P protected push-pull (AEIC-7272) PC line driver L	VARIANT XXX custom version	DIRECTION TYPE A axial R radial	OUTPUT TYPE P cable output (standard length 1,5 m) M M connector output J J connector output	MAX ROTATION SPEED 3 3000 rpm 6 6000 rpm <i>N.B.: 3000 RPM max. with "S" enclosure rating</i>	ENCLOSURE RATING X IP 54 S IP 66 (optional) for model 90 A	SHAFT DIAMETER 8 mm (EL 90) 9 ø 9,52 (3/8") mm (EL 90) 10 mm (EL 90 - EL 115) 11 mm (EL 115)
---	--------------------------------	---	--	--	--	--	--------------------------------------	--	--	---	---	---

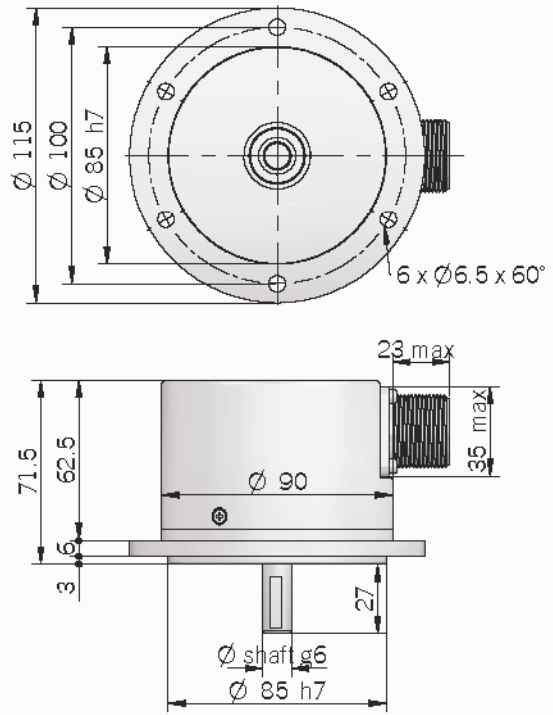
NUANCE



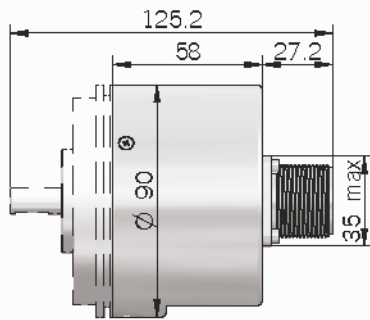
EL 90 A



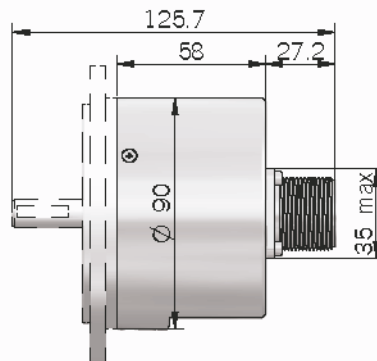
EL 115 A



EL 90
axial output



EL 115
axial output



Electrical specifications

Resolution	from 1 to 10000 ppr
Power supply	5 V DC \pm 10% 5 ... 28 V DC \pm 5% 8 ... 24 V DC \pm 5% (reverse polarity protection)
Power draw without load	800 mW
Max load current	50 mA for channel 20 mA for channel (line driver)
Output type	NPN NPN open collector push-pull line driver
Max output frequency	300 kHz
Counting direction	A leads B clockwise (shaft view)
Electromagnetic compatibility	IEC 61000-6-2 IEC 61000-6-4

Mechanical specifications

Shaft diameter	\varnothing 8 / 9,52 (3/8") / 10 mm (EL 90) \varnothing 10 / 11 mm (EL 115)
Grado di protezione	IP 54 (IEC 60529) IP 66 (optional for EL 90 A) (IEC 60529)
Max rotation speed	3000 rpm 6000 rpm (only with IP 54)
Max shaft load	200 N (20 kgf) axial 200 N (20 kgf) radial
Shock	50 G, 11 ms (plastic disc) (IEC 60068-2-27) 20 G, 11 ms (glass disc) (IEC 60068-2-27)
Vibration	10 G, 10 ... 2000 Hz (IEC 60068-2-6)
Body material	EN-AW 2011 aluminum
Shaft material	1.4305 / AISI 303 stainless steel
Housing material	painted aluminum
Bearings	2 ball bearings
Bearings life	10 ⁹ revolutions
Operating temperature	-10° ... +60°C
Storage temperature	-25° ... +70°C
Weight	750 g

Connections

Function	N / C / P cable output	Line driver cable output	Output J7 N / C / P	Output J7 Line Driver without Zero	Output M7 N / C / P	Output M7 Line Driver without Zero	Output J10 Line Driver with Zero	Output M10 Line Driver with Zero
+V DC	red	red	6	4	F	D	4 - 5	D - E
0 V	black	black	1	6	A	F	6	F
Ch. A	green	green	3	1	C	A	1	A
Ch. A-	/	brown	/	3	/	C	7	G
Ch. B	yellow	yellow	5	2	E	B	2	B
Ch. B-	/	orange	/	5	/	E	8	H
Ch. Z	blue	blue	4	/	D	/	3	C
Ch. Z-	/	white	/	/	/	/	9	I
⊕	shield	shield	7	7	G	G	10	J



MAIN FEATURES

Series of miniaturized encoders for integration on small size AC/DC motors, stepper motors or for limited size applications

- Up to 1024 ppr
- No wear due to absence of bearings
- Easy assembly
- Compact size



ORDERING CODE

EH 30 M 500 Z 8/24 P 6 X 6 PR . XXX	
SERIES incremental encoder series EH	VARIANT XXX custom version
SIZE mm 17 mm 30	OUTPUT TYPE PR radial cable output (standard length 0.5 m)
TYPE kit encoder EH17 M - EH30 M M	MAX ROTATION SPEED 6 6000 rpm
RESOLUTION ppr from 50 to 1024	ENCLOSURE RATING X IP 54
ZERO PULSE without zero pulse S with zero pulse Z	BORE DIAMETER 6 ϕ 6 mm 6,35 ϕ 6,35 mm (1/4")
POWER SUPPLY 5 V DC 5 8 ... 24 V DC 8/24	ELECTRONIC INTERFACE N NPN C NPN open collector P push pull L line driver

Electrical specifications

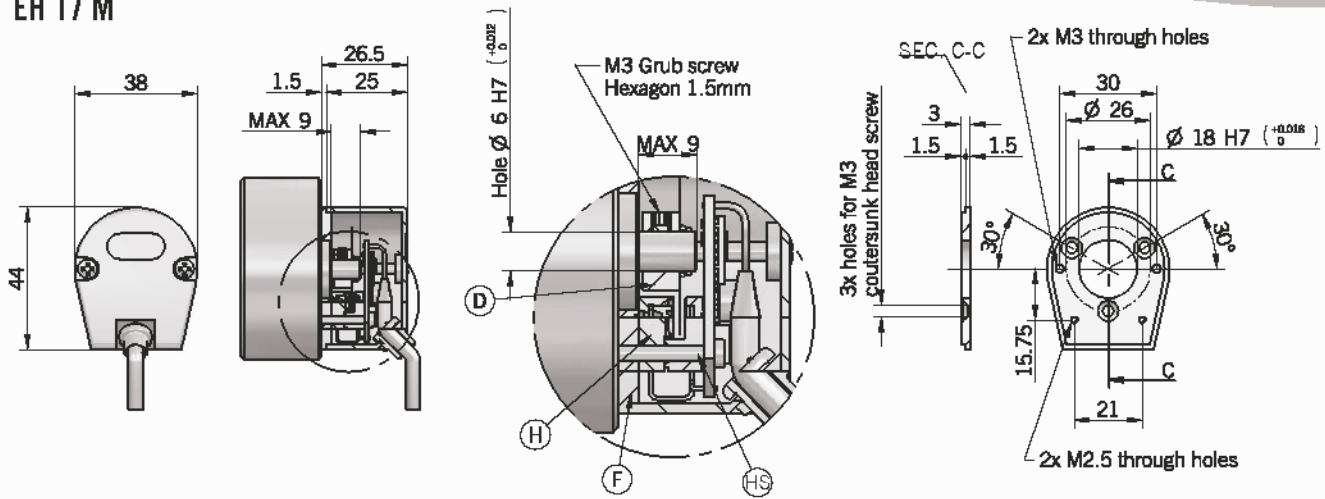
Resolution	from 50 to 1024 ppr
Power supply	5 V DC \pm 10% 8 ... 24 V DC \pm 5%
Current consumption without load	50 mA bidirectional 100 mA bidirectional with zero
Max load current	50 mA for channel 20 mA for channel (line driver)
Output type	NPN NPN open collector push-pull line driver
Max output frequency	105 KHz
Counting direction	A leads B clockwise (shaft view)
Electromagnetic compatibility	IEC 61000-6-1 IEC 61000-6-4

Mechanical specifications

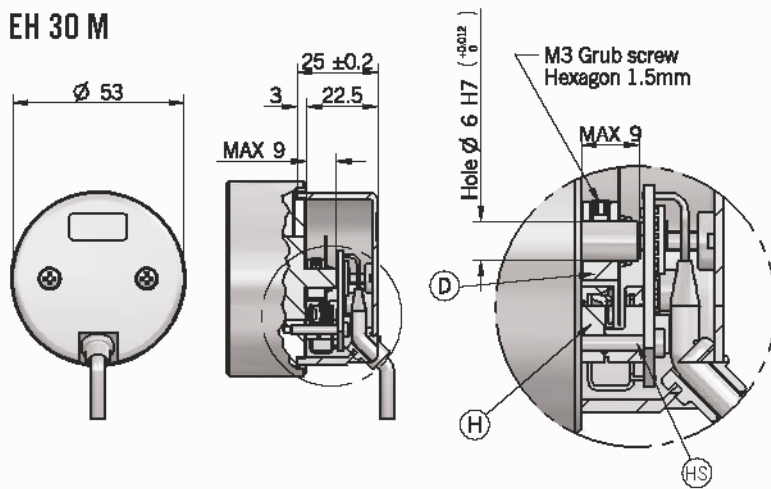
Bore diameter	ϕ 6 / 6,35 (1/4") mm H7
Enclosure rating	IP 54
Max rotation speed	6000 rpm
Hub material	Aluminium
Flange material	Aluminium
Cover material	PA 66 reinforced with glass fiber
Operating temperature	-20° ... +60 °C
Storage Temperature	-25° ... +70 °C

NUANCE

EH 17 M



EH 30 M



How to install

EH17M

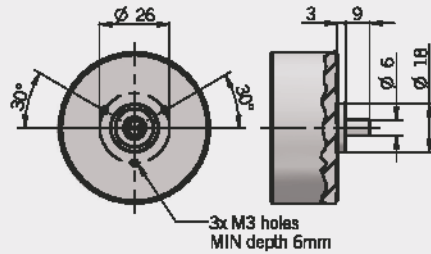
- 1 - Fix the flange F on the motor using three screws FS with a flared head of M3.
- 2 - Insert the disc-holder D on the shaft motor without fix.
- 3 - Put the encoder H and fix using two screws HS of M2.5.
- 4 - Place the disc D in half the reading head and tighten the screw M3 of the disc-holder (fig.2).
- 5 - Close the cover C with the M3X25 screws CS.

EH30

Repeat all steps except 1.

Raccomandato motor flange design

EH 17 M



EH 30 M

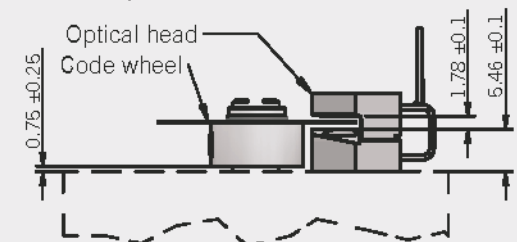
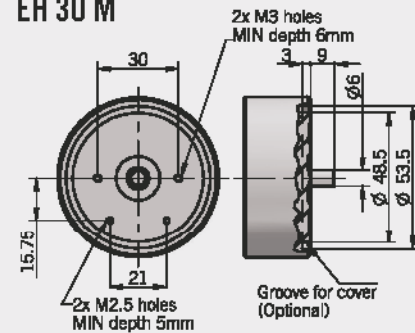


Fig.2

Connections and standard colours

Function	Push pull / Npn / Npn open collector	Line driver
+VDC	red	red
0 V	black	black
Ch. A	green	green
Ch. A-	/	brown
Ch. B	yellow	yellow
Ch. B-	/	orange
Ch. Z	blue	blue
Ch. Z-	/	white
⊖	shield	shield

MAIN FEATURES

ø 36 encoder series is recommended for AC servomotor feedback. It is a 6 channels encoder: 3 for incremental signals and 3 for commutation (Hall) signals.

- Interchangeable with size 15 Resolver
- Easy mounting
- Small dimensions
- Several resolutions available

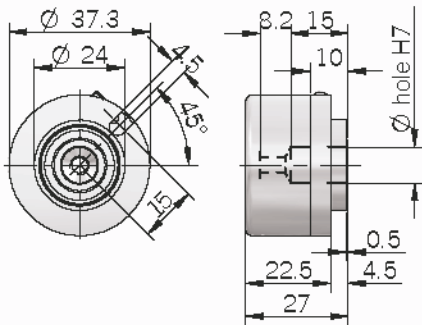


ORDERING CODE

	EF 36 K 4 L 512 Z 5 L 8 X 3 PR . XXX	
SERIES incremental encoder with Hall phases EF		VARIANT XXX custom version
SIZE mm 36		OUTPUT TYPE PR radial cable output (standard length 0.3 m)
TYPE blind hollow shaft with rear fixing K		MAX ROTATION SPEED 6 3000 rpm
MOTOR POLES 4 poles 4 6 poles 6 8 poles 8		ENCLOSURE RATING X IP 40
ELECTRONIC INTERFACE FOR COMMUTATION SIGNALS NPN open collector C line driver L		BORE DIAMETER 8 ø 8 mm 9 ø 9,52 mm (3/8") 10 ø 10 mm
RESOLUTION ppr from 1 to 2048		ELECTRONIC INTERFACE FOR INCREMENTAL SIGNALS L line driver
<i>N.B.: please directly contact our offices for pulses availability</i>		POWER SUPPLY 5.5 V DC
ZERO PULSE without zero pulse S with zero pulse Z		

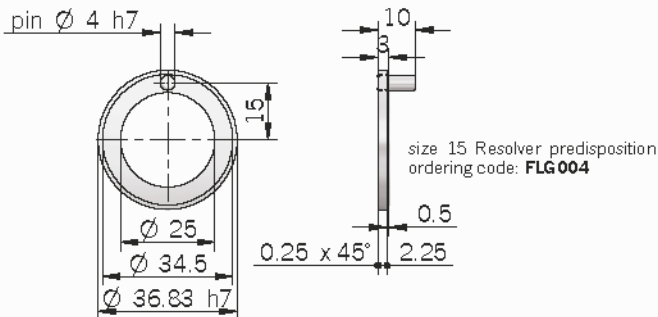
NUANCE

EF 36 K



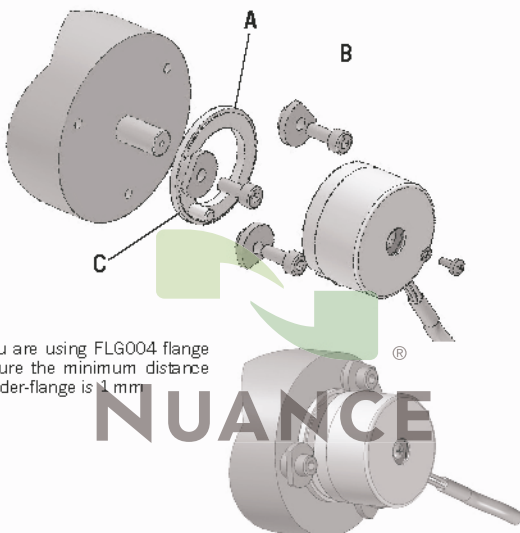
ACCESSORIES

Flanges for motor fixing



HOW TO MOUNT IT

- Insert flange (A) on the motor.
- Tighten the appropriate servo-fasteners (B) without blocking them.
- Insert encoder on motor shaft (misalignment recovery system must correspond to pag (C)).
- Block the encoder on motor shaft by proper screw.
- Turn for phasing.
- Finally, fix servo-fasteners (B).
- Verify the right working of the misalignment recovery system.



if you are using FLG004 flange be sure the minimum distance encoder-flange is 1 mm

NUANCE

Electrical specifications

Resolution	from 1 to 2048 ppr
Power supply	5 V DC $\pm 10\%$
Current consumption without load	150 mA max
Max load current	15 mA for channel (line driver) 30 mA for channel
Output type for incremental signals	line driver
Output type for Hall phases	NPN open collector line driver
Max output frequency	150 kHz
Counting direction	A leads B clockwise (shaft view)
Electromagnetic compatibility	IEC 61000-6-1 IEC 61000-6-3

Mechanical specifications

Shaft diameter	8 / 9,52 (3/8") / 10 mm
Enclosure rating	IP 40 (IEC 60529)
Max rotation speed	6000 rpm
Shock	50 G, 11 ms (IEC 60068-2-27)
Vibration	5 G, 10 ... 500 Hz (IEC 60068-2-6)
Bearings	2 ball bearings
Bearings life	10 ⁹ revolutions
Body material	aluminum EN-AW 2011
Shaft material	1.4305 / AISI 303 stainless steel
Housing material	aluminum EN-AW 2011
Operating temperature	-10° ... +85 °C
Storage temperature	-25° ... +85 °C
Weight	50 g
Accessories	flange for mounting on motors (size 15 Resolver type)

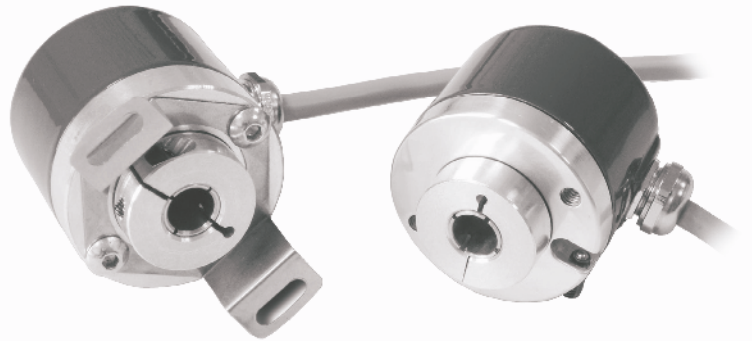
Connections and standard colours

Function	14 core wire
+V DC	red
0 V	black
Ch. A	green
Ch. B	yellow
Ch. Z	blue
Ch. A-	brown
Ch. B-	orange
Ch. Z-	white
Ch. U	gray
Ch. V	violet
Ch. W	gray-pink
Ch. U-	red-blue
Ch. V-	white-green
Ch. W-	brown-green
⊥	shield

MAIN FEATURES

Miniaturized $\varnothing 38$ encoder series for general applications.

- Up to 25000 ppr with zero signal
- Several output types available
- Up to 28 V DC power supply
- Up to 220 kHz output frequency
- Cable output
- Up to 3000 RPM rotation speed
- Up to IP 65 sealing

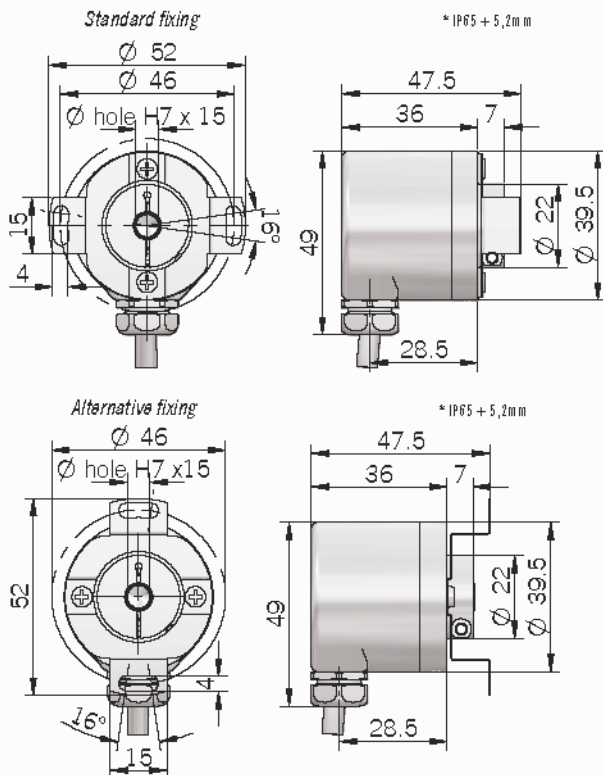


ORDERING CODE

ER 38 F 1024 Z 5/28 P 6 X 3 PR . XXX	
<p>SERIES incremental encoder series EL incremental encoder series ER</p> <p>SIZE mm 38</p> <p>FIXING TYPE blind hollow shaft with spring F blind hollow shaft with anti-rotation pin G</p> <p>RESOLUTION (see table) ppr up to 25000 <i>N.B.: please see resolution table or directly contact our offices for pulses availability</i></p> <p>ZERO PULSE without zero pulse S with zero pulse Z</p> <p>POWER SUPPLY (available only with L electronic output) 5 V DC 5 (available only with L or PC electronic output) 8 ... 24 V DC 8/24 5 ... 28 V DC 5/28</p>	<p>VARIANT XXX custom version</p> <p>OUTPUT TYPE PR radial cable output with cable gland (standard length 0.5 m)</p> <p>MAX ROTATION SPEED 3 3000 rpm</p> <p>ENCLOSURE RATING X IP 64 S IP 65 (optional)</p> <p>SHAFT DIAMETER 6 mm 8 mm 9 mm \varnothing 9,52 (3/8") 10 mm</p> <p>ELECTRONIC INTERFACE N NPN C NPN open collector P push-pull PC protected push-pull (AEIC-7272) L line driver <i>N.B.: with N / C interface max 2500 ppr</i></p>

NUANCE

EL - ER 38 F



EL-ER 38 F mounting instructions

1. Couple encoder shaft with motor shaft
2. Fix spring to motor flange without tightening it
3. Fix encoder shaft on motor shaft
4. Turn encoder for electrical adjustment (phasing)
5. Fix spring

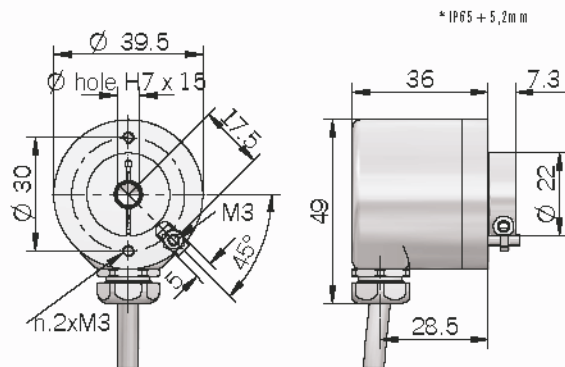
Mechanical specifications

Shaft diameter	$\varnothing 6 / 8 / 9,52 (3/8") / 10 \text{ mm}$
Enclosure rating	IP 64 (IEC 60529) IP 65 (optional) (IEC 60529)
Max rotation speed	3000 rpm
Max shaft load	5 N (0.5 kgf) axial 5 N (0.5 kgf) radial
Shock	50 G, 11 ms (IEC 60068-2-27)
Vibration	10 G, 10 ... 2000 Hz (IEC 60068-2-6)
Body material	EN-AW 2011 aluminum
Shaft material	1.4305 / AISI 303 stainless steel
Housing material	Painted aluminum
Bearings	2 ball bearings
Bearings life	10^9 revolutions
Operating temperature	-10° ... +60°C series EL -20° ... +70°C series ER
Storage temperature	-25° ... +70°C
Weight	150 g

EL series resolutions

1 - 2 - 4 - 5 - 10 - 15 - 16 - 20 - 30 - 32 - 40 - 50 - 70 - 80 - 90 - 150 - 160 - 180 - 250 - 350 - 300 - 450 - 600 - 660 - 700 - 2880 - 3000 - 3600 - 4000 - 4096 - 5000 - 6000 - 7200 - 7500 - 8000 - 8192 - 10000 - 10240 - 12000 - 14400 - 15000 - 18000 - 16384 - 20000 - 20480 - 25000

EL - ER 38 G



Anti-rotation pin is included

EL-ER 38 G mounting instructions

1. Fix anti-rotation pin on motor flange
2. Couple encoder shaft with motor shaft, making sure pin is inserted in the hole on the front part of the encoder (maintaining a minimum distance of 0.5 mm).
3. Fix encoder shaft on motor shaft

Electrical specifications

Resolution	from 1 to 25000 ppr
Power supply	5 V DC $\pm 10\%$ 5 ... 28 V DC $\pm 5\%$ 8 ... 24 V DC $\pm 5\%$ (reverse polarity protection)
Current consumption without load	100 mA max
Max load current	50 mA for channel 20 mA for channel (line driver)
Output type	NPN NPN open collector push-pull line driver
Max output frequency	150 kHz EL series 220 kHz ER series
Counting direction	A leads B clockwise (shaft view)
Electromagnetic compatibility	IEC 61000-6-2 IEC 61000-6-4

Connections and standard colours

Function	Push pull / Npn / Npn open collector	Line driver
+VDC	red	red
0 V	black	black
Ch. A	green	green
Ch. A-	/	brown
Ch. B	yellow	yellow
Ch. B-	/	orange
Ch. Z	blue	blue
Ch. Z-	/	white
\equiv	shield	shield

ER series resolutions

100 - 120 - 128 - 200 - 240 - 256 - 360 - 400 - 480 - 500 - 512 - 625 - 720 - 750 - 900 - 1000 - 1024 - 1250 - 1440 - 1500 - 1800 - 2000 - 2048 - 2500

MAIN FEATURES

Miniaturized \varnothing 42 encoder series for general applications.

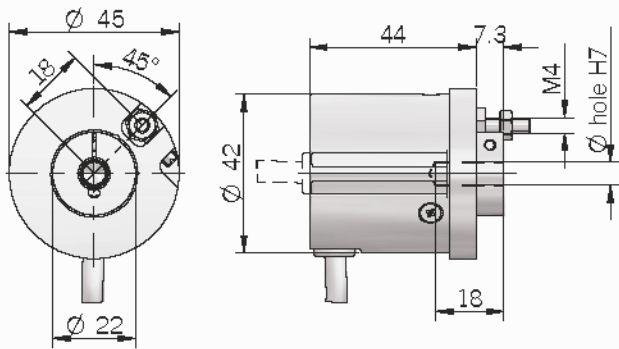
- Up to 2500 ppr with zero signal
- Several output types available
- Up to 28 V DC power supply
- Up to 220 kHz output frequency
- Cable output
- Up to 3000 RPM rotation speed
- Up to IP 54 sealing



ORDERING CODE

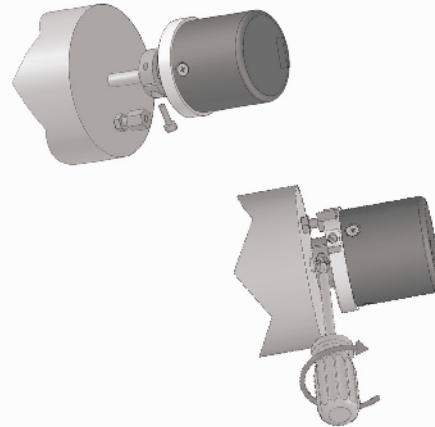
EL	40	G	1000	Z	5/28	P	6	X	3	P	R	. XXX
SERIES												VARIANT
incremental encoder series EL												XXX custom version
incremental encoder series ER												DIRECTION TYPE
												A axial
												R radial
SIZE												OUTPUT TYPE
mm 40												P cable output (standard length 0.5 m)
TYPE												MAX ROTATION SPEED
blind hollow shaft with anti-rotation pin G												3 3000 rpm
RESOLUTION												ENCLOSURE RATING
(see table) ppr from 1 to 2500												X IP 54
<i>N.B.: please directly contact our offices for pulses availability</i>												SHAFT DIAMETER
												6 mm
ZERO PULSE												ELECTRONIC INTERFACE
without zero pulse S												N NPN
with zero pulse Z												C NPN open collector
												P push-pull
												PC protected push-pull (AEIC-7272)
												L line driver
POWER SUPPLY												
(available only with L electronic output) 5 V DC 5												
(available only with L or PC electronic output) 8 ... 24 V DC 8/24												
5 ... 28 V DC 5/28												

EL - ER 40 G



Mounting instructions

1. Fix anti-rotation pin on motor flange
2. Couple encoder shaft with motor shaft, making sure pin is inserted in the hole on the front part of the encoder (maintaining a minimum distance of 0.5 mm).
3. Fix encoder shaft on motor shaft



Electrical specifications

Resolution	from 1 to 2500 ppr
Power supply	5 V DC \pm 10% 5 ... 28 V DC \pm 5% 8 ... 24 V DC \pm 5% (reverse polarity protection)
Current consumption without load	100 mA max
Max load current	50 mA for channel 20 mA for channel (line driver)
Output type	NPN NPN open collector push-pull line driver
Max output frequency	150 kHz EL series 220 kHz ER series
Counting direction	A leads B clockwise (shaft view)
Electromagnetic compatibility	IEC 61000-6-2 IEC 61000-6-4

Mechanical specifications

Shaft diameter	\varnothing 8 mm
Enclosure rating	IP 54 (IEC 60529)
Max rotation speed	3000 rpm
Max shaft load	5 N (0.5 kgf) axial 5 N (0.5 kgf) radial
Shock	50 G, 11 ms (IEC 60068-2-27)
Vibration	10 G, 10 ... 2000 Hz (IEC 60068-2-6)
Body material	EN-AW 2011 aluminum
Shaft material	1.4305 / AISI 303 stainless steel
Housing material	PA 66 glass fiber reinforced
Bearings	2 ball bearings
Bearings life	10 ⁹ revolutions
Operating temperature	-10° ... +60°C series EL -20° ... +70°C series ER
Storage temperature	-25° ... +70°C
Weight	150 g

Connections and standard colours

Function	Push pull / Npn / Npn open collector	Line driver
+V DC	red	red
0 V	black	black
Ch. A	green	green
Ch. A-	/	brown
Ch. B	yellow	yellow
Ch. B-	/	orange
Ch. Z	blue	blue
Ch. Z-	/	white
⊥	shield	shield

ER series resolutions

100 - 120 - 128 - 150 - 200 - 240 - 250 - 256 - 300 - 360 - 400 - 480 - 500 - 512 - 600 - 625 - 720 - 750 - 800 - 900 - 1000 - 1024 - 1200 - 1250 - 1440 - 1500 - 1800 - 1800 - 2000 - 2048 - 2500

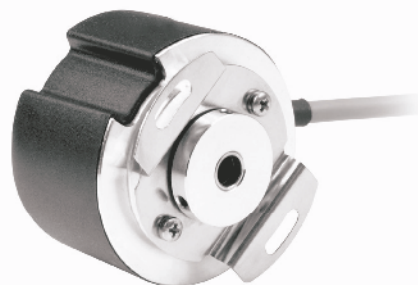
EL series resolutions

1 - 2 - 4 - 5 - 10 - 15 - 16 - 20 - 30 - 32 - 40 - 50 - 70 - 80 - 90 - 160 - 180 - 350 - 450 - 660 - 700

MAIN FEATURES

∅ 48 encoder series recommended for motor feedback.

- Easy mechanical mounting
- Small dimensions
- Up to 2048 ppr with zero signal
- Several output types available
- Up to 150 kHz output frequency
- 6000 RPM rotation speed



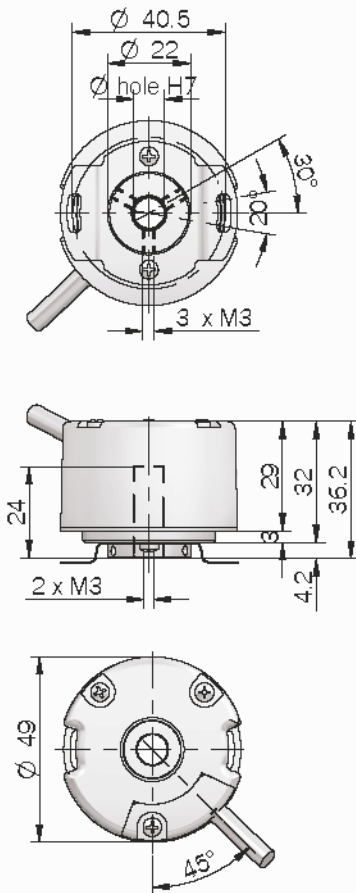
ORDERING CODE

EL	48	C	1000	Z	8/24	P	8	X	6	PR	.	XXX
SERIES incremental encoder series EL	SIZE mm 48	TYPE blind hollow shaft C through hollow shaft P	RESOLUTION ppr from 1 to 2048	ZERO PULSE without zero pulse S with zero pulse Z	POWER SUPPLY 5 V DC 5 8 ... 24 V DC 8/24	ENCLOSURE RATING X IP 40	SHAFT DIAMETER 6 mm 8 mm	ELECTRONIC INTERFACE N NPN C NPN open collector P push-pull PC protected push-pull (AEIC-7272) L line driver	MAX ROTATION SPEED 6 6000 rpm	OUTPUT TYPE PR radial cable output (standard length 0.3 m)	VARIANT XXX custom version	

N.B.: please directly contact our offices for pulses availability

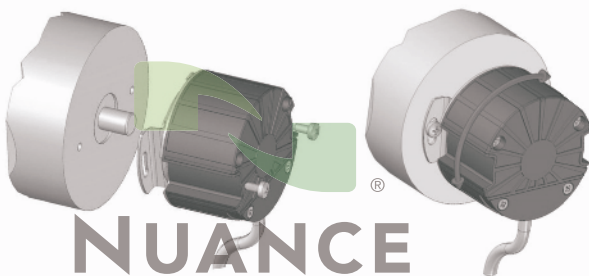


EL 48 C / P



HOW TO MOUNT IT

- Couple encoder shaft with motor shaft.
- Fix spring to motor flange without tightening it.
- Fix the encoder shaft with the two grub screws.
- Turn for phasing.
- Fix the spring.



Electrical specifications

Resolution	from 1 to 2048 ppr
Power supply	5 V DC \pm 10% 8 ... 24 V DC \pm 5%
Current consumption without load	100 mA max
Max load current	30 mA for channel 15 mA for channel (line driver)
Output type	NPN NPN open collector push-pull line driver
Max output frequency	150 kHz
Counting direction	A leads B clockwise (shaft view)
Electromagnetic compatibility	IEC 81000-6-1 IEC 81000-6-3

Mechanical specifications

Shaft diameter	6 / 8 mm
Enclosure rating	IP 40 (IEC 60529)
Max rotation speed	6000 rpm
Shock	50 G, 11 ms (IEC 60068-2-27)
Vibration	10 G, 10 ... 500 Hz (IEC 60068-2-6)
Bearings	2 ball bearings
Bearings life	10 ⁹ revolutions
Body material	EN-AW 2011 aluminum
Shaft material	1.4305 / AISI 303 stainless steel
Housing material	PA 66 glass fiber reinforced
Operating temperature	-20° ... +85 °C
Storage temperature	-25° ... +85 °C
Weight	100 g

Connections and standard colours

Function	Push pull / Npn / Npn open collector	Line driver
+VDC	red	red
0 V	black	black
Ch. A	green	green
Ch. A-	/	brown
Ch. B	yellow	yellow
Ch. B-	/	orange
Ch. Z	blue	blue
Ch. Z-	/	white
⊥	shield	shield

MAIN FEATURES

ø 49 encoder series recommended in feedback control systems on AC servomotors. They include a traditional incremental encoder and the Hall effect phases.

- Interchangeable with size 19 Resolver; it allows easy and cost effective mounting for the back of the motor
- Easy mechanical mounting
- Small dimensions
- Wide range of resolutions available
- High temperature resistance

EL series

Basic version with incremental outputs. Several output types available.

EF series

Optic generation of "Hall effect phases" integrated to the basic version. Signal transmission by parallel bus.



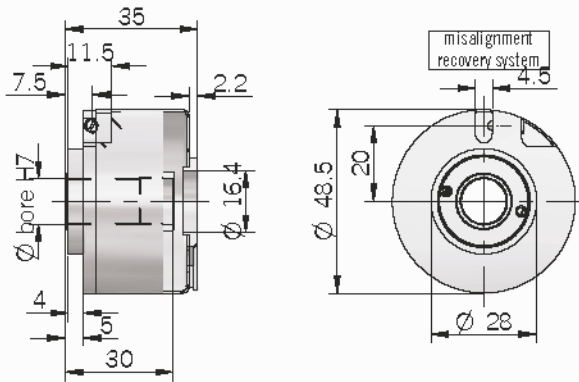
ORDERING CODE

EF	49	C	6	L	2000	Z	5	L	8	X	6	MA	.	XXX
SERIES		incremental encoder EL	incremental encoder with Hall phases EF											VARIANT
														XXX custom version
SIZE		mm 49												
TYPE		blind hollow shaft C through hollow shaft P												
POLES OF THE MOTOR (EF SERIES)		4 poles 4 6 poles 6 8 poles 8												
OUTPUT TYPE FOR HALL PHASES (EF SERIES)		NPN open collector C line driver L												
RESOLUTION		ppr from 1 to 2048												
ZERO PULSE		without zero pulse S with zero pulse Z												
BORE DIAMETER		6 ø 6 mm 8 ø 8 mm 9 ø 9,52 mm (3/8") 10 ø 10 mm 12 ø 12 mm 12.7 ø 12.7 mm (1/2")												
OUTPUT TYPE FOR INCREMENTAL SIGNALS		N NPN (EL series) C NPN open collector (EL series) P push pull (EL series) L line driver												
POWER SUPPLY		5 5 V DC 8/24 8 ... 24 V DC (EL series)												
ENCLOSURE RATING		X IP 40												
MAX ROTATION SPEED		6 6000 rpm												
OUTPUT TYPE		PR radial cable output (standard length 0.3 m)												

N.B.: please directly contact our offices for pulses availability

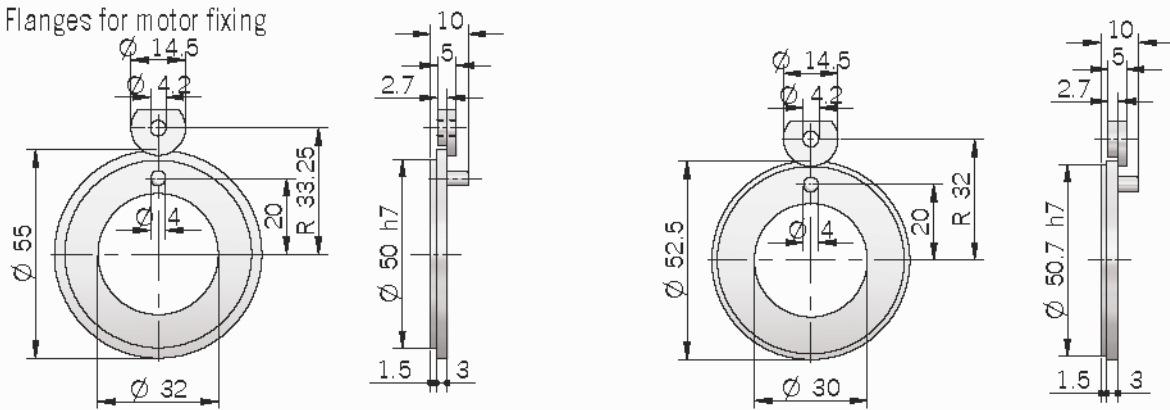
NUANCE

EL - EF 49 C / P



ACCESSORIES

Flanges for motor fixing

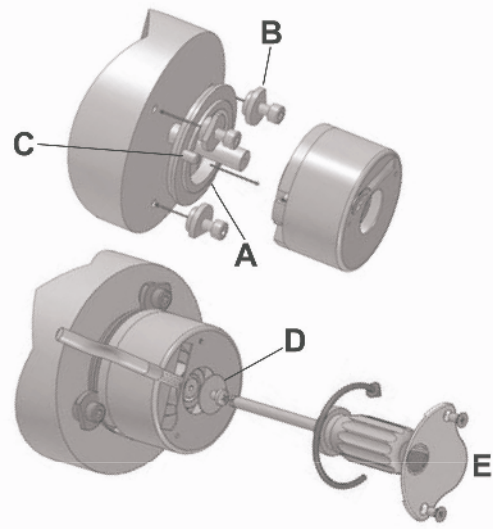


Size 19 resolver predisposition (01 version)
ordering code: **FLG000**

Size 19 resolver predisposition (14 version)
ordering code: **FLG001**

HOW TO MOUNT IT

- Insert the flange (A) on the motor.
- Tighten the proper servo-fasteners (B), without blocking them.
- Insert the encoder on the motor shaft with the misalignment recovery system just next to the peg (C).
- Place the washer on the back of the encoder and block it on the motor axle using the screw.
- Turn for phasing.
- Fix the servo-fasteners (B).
- Verify the right working of the misalignment recovery system.
- Check the connector is fully plugged in.
- Place the plastic lid (E); then screw.



NUANCE

Electrical specifications

Resolution	from 1 to 2048 ppr
Max load current	15 mA for channel (line driver) 30 mA for channel
Max output frequency	150 kHz
Counting direction	A leads B clockwise (shaft view)
Electromagnetic compatibility	IEC 61000-6-1 IEC 61000-6-3

Electrical specifications (EL series)

Power supply	5 V DC \pm 10% 8 ... 24 V DC \pm 5%
Output type	NPN / NPN open collector / push pull / line driver
Current consumption without load	100 mA max

Electrical specifications (EF series)

Power supply	5 V DC \pm 10%
Output type for incremental signals	line driver
Output type for Hall phases	NPN open collector / line driver
Current consumption without load	150 mA max

Mechanical specifications

Bore diameter	\varnothing 6 / 8 / 9,52 / 10 / 12 / 12,7 mm
Enclosure rating	IP 40
Max rotation speed	6000 rpm
Shock	50 G, 11 ms
Vibration	5 G, 10 ... 500 Hz
Shaft material	1.4305 / AISI 303 stainless steel
Body material	EN-AW 2011 aluminum
Housing material	nickel plated brass
Bearings	n° 2 ball bearings
Bearings life	10 ⁹ revolutions
Operating temperature	-10° ... +85°C -10° ... +100°C on demand
Storage temperature	-25° ... +85°C
Weight	100 g
Accessories	1) 3 servo-fasteners (ordering code: 94080001) 2) flanges for fixing on size 19 Resolver predisposition (01 and 14 versions)

Connections

Function	EL Push pull / Npn / Npn open collector	EL Line driver	EF
+V DC	red	red	red
0 V	black	black	black
Ch. A	green	green	green
Ch. B	yellow	yellow	yellow
Ch. Z	blue	blue	blue
Ch. A-	/	brown	brown
Ch. B-	/	orange	orange
Ch. Z-	/	white	white
Ch. U	/	/	gray
Ch. V	/	/	violet
Ch. W	/	/	gray-pink
Ch. U-	/	/	red-blue
Ch. V-	/	/	white-green
Ch. W-	/	/	brown-green
\equiv	shield	shield	shield



EL 50 F / G / K

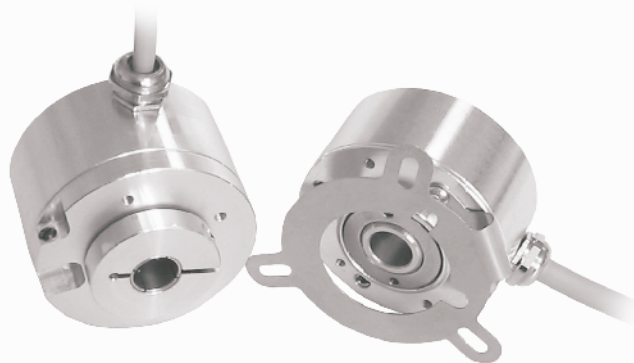
INCREMENTAL ENCODER MOTOR SERIES



MAIN FEATURES

∅ 50 encoder series recommended as motor feedback.

- Several ways to fix it
- Easy mechanical mounting
- Small dimensions
- Up to 5000 ppr with zero signal
- Several output types available
- Up to 150 kHz output frequency
- Up to 6000 RPM rotation speed



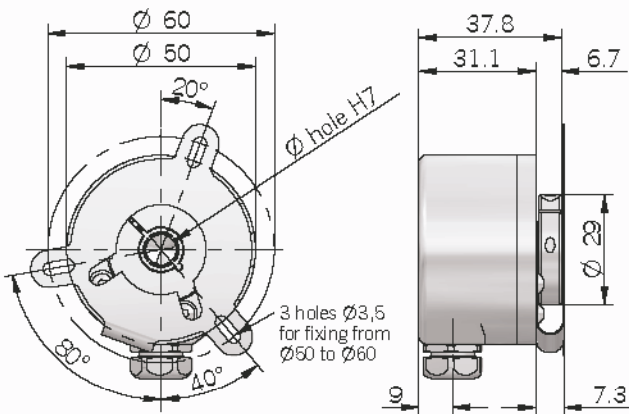
HOLLOW SHAFT INCREMENTAL ENCODERS

ORDERING CODE

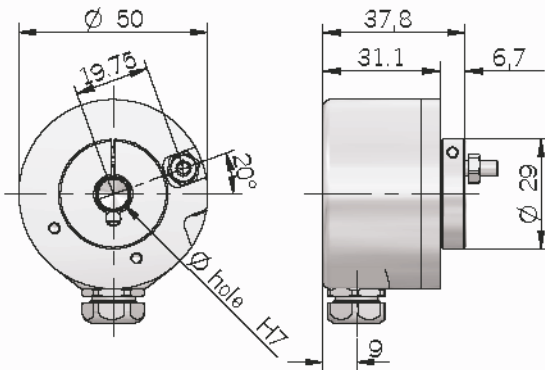
<p>SERIES incremental encoder series EL</p> <p>SIZE mm 50</p> <p>TYPE blind hollow shaft (front fixing with spring) F blind hollow shaft (front fixing with pin) G blind hollow shaft (rear fixing with screw) K</p> <p>RESOLUTION ppr from 1 to 5000 <i>N.B.: please directly contact our offices for pulses availability</i></p> <p>ZERO PULSE without zero pulse S with zero pulse Z</p> <p>POWER SUPPLY (available only with L electronic output) 5 V DC 5 (available only with L or PC electronic output) 8 ... 24 V DC 8/24 5 ... 28 V DC 5/28</p>	<p>ENCLOSURE RATING X IP 40 S IP 64</p> <p>SHAFT DIAMETER 6 mm 8 mm 9 mm ∅ 9,52 (3/8") 10 mm</p> <p>ELECTRONIC INTERFACE N NPN C NPN open collector P push-pull PC protected push-pull (AEIC-7272) L line driver</p>	<p>VARIANT XXX custom version</p> <p>OUTPUT DIRECTION R radial</p> <p>OUTPUT TYPE P cable output with cable gland (standard length 0.5 m)</p> <p>MAX ROTATION SPEED 3 3000 rpm 6 6000 rpm <i>N.B.: 3000 RPM max. with "S" enclosure rating</i></p>
<p>EL 50 G 1000 Z 5/28 P 8 X 3 P R . XXX</p>		

NUANCE

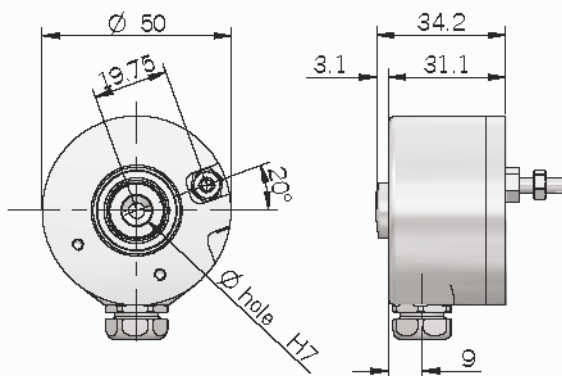
EL 50 F



EL 50 G



EL 50 K



HOW TO MOUNT IT

- Fix the anti-rotation pin (A).
- Insert encoder on the motor shaft with misalignment recovery system just next to the pin (A).
- Insert the washer (B) on the back and block it using the encoder screw on the motor axle.
- Turn for phasing.
- Fix encoder shaft by metal ring.
- Close the encoder with the plug (C).

Electrical specifications

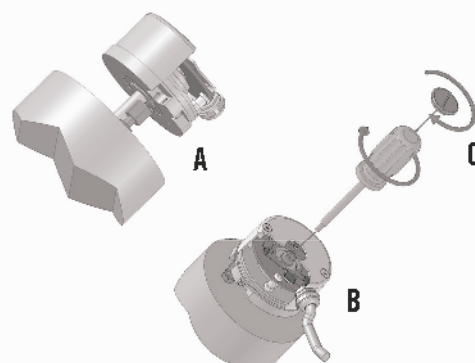
Resolution	from 1 to 5000 ppr
Power supply	5 V DC \pm 10% 5 ... 28 V DC \pm 5% 8 ... 24 V DC \pm 5% (reverse polarity protection)
Current consumption without load	100 mA max
Max load current	30 mA for channel 20 mA for channel (line driver)
Output type	NPN / NPN open collector / push-pull / line driver
Max output frequency	150 kHz
Counting direction	A leads B clockwise (shaft view)
Electromagnetic compatibility	IEC 61000-6-1 IEC 61000-6-3

Mechanical specifications

Shaft diameter	6 / 8 / 9,52 (3/8") / 10 mm
Enclosure rating	IP 40 (IEC 60529) IP 64 (IEC 60529)
Max rotation speed	3000 rpm 6000 rpm
Shock	50 G, 11 ms (IEC 60068-2-27)
Vibration	5 G, 10 ... 500 Hz (IEC 60068-2-6)
Bearings	2 ball bearings
Bearings life	10 ⁹ revolutions
Body material	EN-AW 2011 aluminum
Shaft material	1.4305 / AISI 303 stainless steel
Housing material	painting aluminum
Operating temperature	-10° ... +80 °C -10° ... +85 °C on request
Storage temperature	-25° ... +70 °C
Weight	150 g

Connections and standard colours

Function	Push pull / Npn / Npn open collector	Line driver
+V DC	red	red
0 V	black	black
Ch. A	green	green
Ch. A-	/	brown
Ch. B	yellow	yellow
Ch. B-	/	orange
Ch. Z	blue	blue
Ch. Z-	/	white
⊥	shield	shield



EL 50 FA / FP / GA / GP

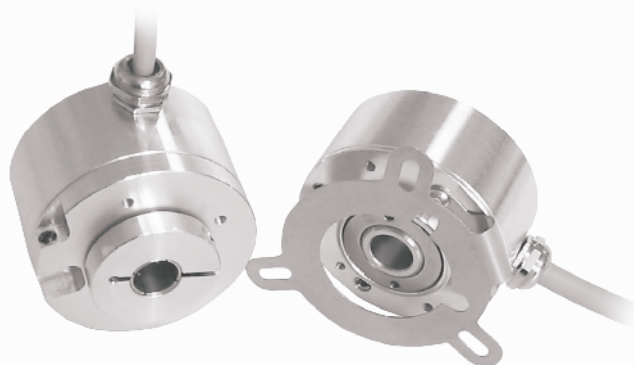
INCREMENTAL ENCODER MOTOR SERIES



MAIN FEATURES

ø 50 encoder series recommended as motor feedback.

- Several ways to fix it
- Easy mechanical mounting
- Small dimensions
- Up to 5000 ppr with zero signal
- Several output types available
- Up to 150 kHz output frequency
- Up to 6000 RPM rotation speed



HOLLOW SHAFT INCREMENTAL ENCODERS

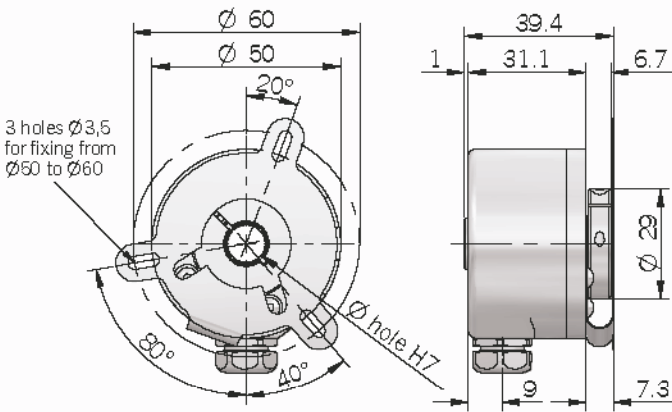
ORDERING CODE

EL	50	G	P	1000	Z	5/28	P	8	X	6	P	R	. XXX
SERIES incremental encoder series EL	SIZE mm 50	TYPE fixing with spring F fixing with pin G	FIXING through hollow shaft with front fixing A through hollow shaft with rear fixing P	RESOLUTION ppr from 1 to 5000	ZERO PULSE without zero pulse S with zero pulse Z	POWER SUPPLY (available only with L electronic output) 5 V DC 5 (available only with L or PC electronic output) 8 ... 24 V DC 8/24 5 ... 28 V DC 5/28	ENCLOSURE RATING X IP 40	SHAFT DIAMETER 6 mm 8 mm 9 mm ø 9,52 (3/8") 10 mm	ELECTRONIC INTERFACE N NPN C NPN open collector P push-pull PC protected push-pull (AEIC-7272) L line driver	MAX ROTATION SPEED 6 6000 rpm	OUTPUT TYPE P cable output with cable gland (standard length 0.5 m)	OUTPUT DIRECTION R radial	VARIANT XXX custom version

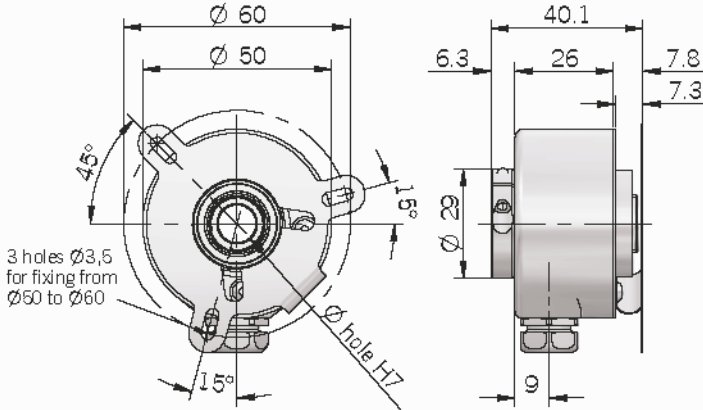
N.B.: please directly contact our offices for pulses availability



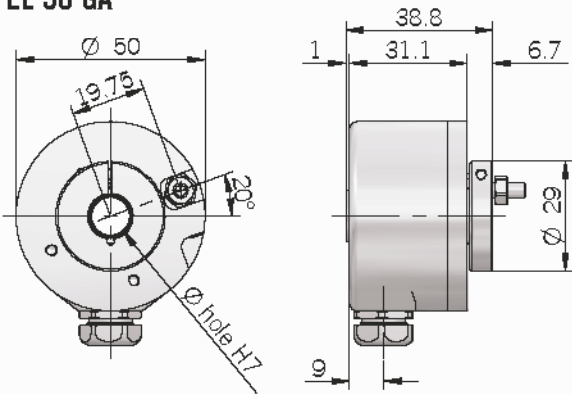
EL 50 FA



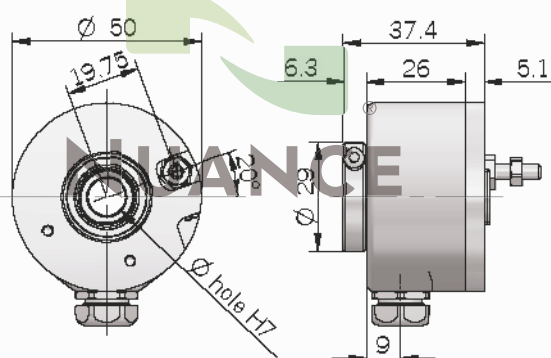
EL 50 FP



EL 50 GA



EL 50 GP



Electrical specifications

Resolution	from 1 to 5000 ppr
Power supply	5 V DC $\pm 10\%$ 5 ... 28 V DC $\pm 5\%$ 8 ... 24 V DC $\pm 5\%$ (reverse polarity protection)
Current consumption without load	100 mA max
Max load current	30 mA for channel 20 mA for channel (line driver)
Output type	NPN NPN open collector push-pull line driver
Max output frequency	150 kHz
Counting direction	A leads B clockwise (shaft view)
Electromagnetic compatibility	IEC 61000-6-1 IEC 61000-6-3

Mechanical specifications

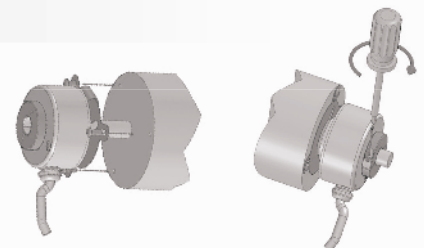
Shaft diameter	6 / 8 / 9,52 / 10 mm
Enclosure rating	IP 40 (IEC 60529)
Max rotation speed	6000 rpm
Shock	50 G, 11 ms (IEC 60068-2-27)
Vibration	5 G, 10 ... 500 Hz (IEC 60068-2-6)
Bearings	2 ball bearings
Bearings life	10 ⁹ revolutions
Body material	EN-AW 2011 aluminum
Shaft material	1.4305 / AISI 303 stainless steel
Housing material	painting aluminum
Operating temperature	-10° ... +80 °C -10° ... +85 °C on request
Storage temperature	-25° ... +70 °C
Weight	150 g

Connections and standard colours

Function	Push pull / Npn / Npn open collector	Line driver
+VDC	red	red
0 V	black	black
Ch. A	green	green
Ch. A-	/	brown
Ch. B	yellow	yellow
Ch. B-	/	orange
Ch. Z	blue	blue
Ch. Z-	/	white
⊥	shield	shield

HOW TO MOUNT IT

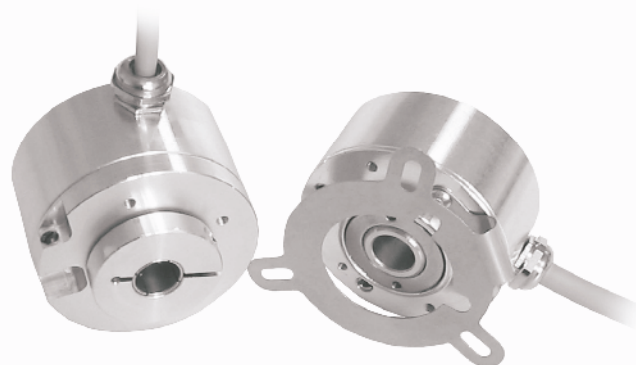
- Couple encoder shaft with motor shaft.
- Fix the spring to the motor flange without tightening it.
- Fix encoder shaft by the metal ring.
- Turn for phasing.
- Block the spring.



MAIN FEATURES

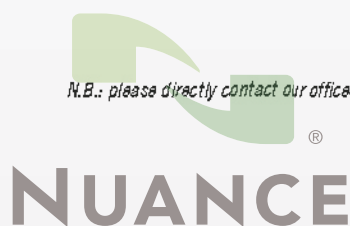
∅ 50 encoder series recommended as motor feedback.

- Several ways to fix it
- Easy mechanical mounting
- Small dimensions
- Up to 2048 ppr with zero signal
- Several output types available
- Up to 205 kHz output frequency
- Up to 6000 RPM rotation speed

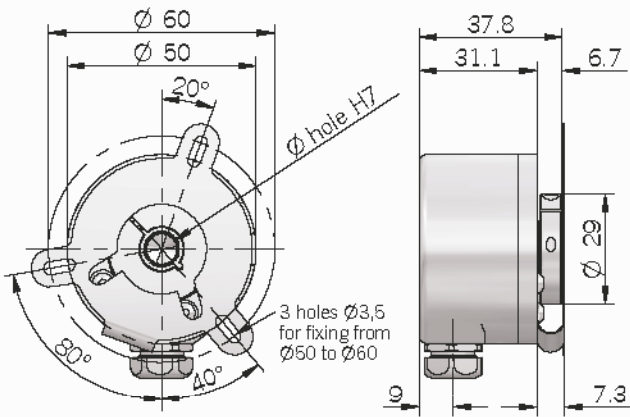


ORDERING CODE

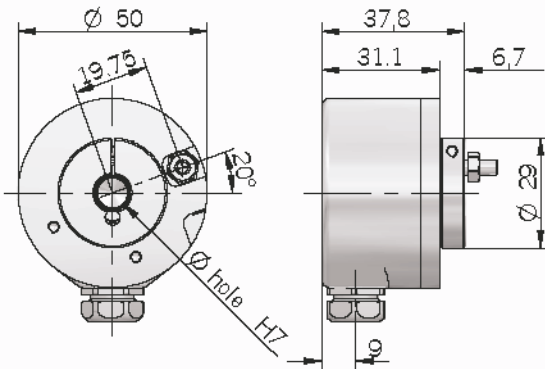
EF	50	F	6	L	2000	Z	5	L	8	X	6	PR	.	XXX
SERIES												VARIANT		
incremental encoder with Hall phases EF												XXX custom version		
SIZE												OUTPUT TYPE		
mm 50												P radial cable output with cable gland (standard length 0.5 m)		
TYPE												MAX ROTATION SPEED		
blind hollow shaft (front fixing with spring) F												3 3000 rpm		
blind hollow shaft (front fixing with pin) G												6 6000 rpm		
blind hollow shaft (rear fixing with screw) K												<i>N.B.: 3000 RPM max. with "S" enclosure rating</i>		
POLES OF THE MOTOR												ENCLOSURE RATING		
4 poles 4												X IP 40		
6 poles 6												S IP 64		
8 poles 8												SHAFT DIAMETER		
OUTPUT TYPE FOR HALL PHASES												6 mm		
NPN open collector C												8 mm		
line driver L												9 mm ∅ 9,52 (3/8")		
RESOLUTION												10 mm		
ppr from 1 to 2048												OUTPUT TYPE FOR INCREMENTAL SIGNALS		
<i>N.B.: please directly contact our offices for pulses availability</i>												L line driver		
ZERO PULSE												POWER SUPPLY		
without zero pulse S												5 5 V DC		
with zero pulse Z														



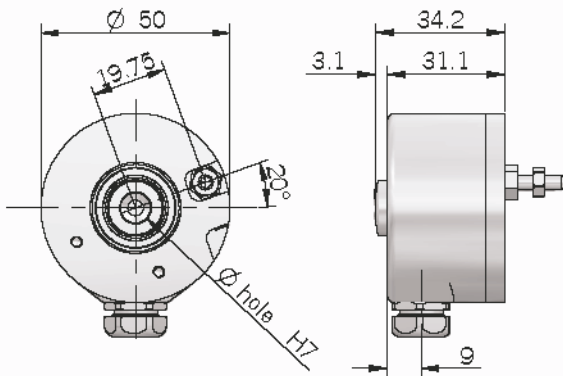
EF 50 F



EF 50 G



EF 50 K



HOW TO MOUNT IT

- Fix the anti-rotation pin (A).
- Insert encoder on the motor shaft with misalignment recovery system just next to the pin (A).
- Insert the washer (B) on the back and block it using the encoder screw on the motor axle.
- Turn for phasing.
- Fix encoder shaft by metal ring.
- Close the encoder with the plug (C).

Electrical specifications

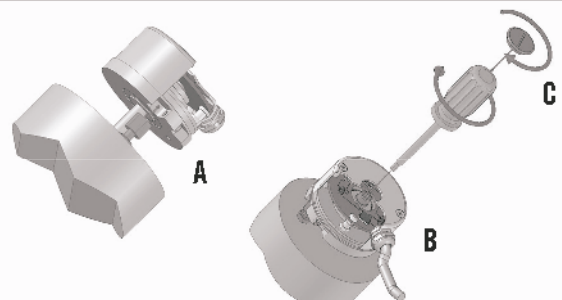
Resolution	from 1 to 2048 ppr
Power supply	5 V DC \pm 10%
Current consumption without load	150 mA max
Max load current	15 mA for channel (line driver) 30 mA for channel
Output type for incremental signals	line driver
Output type for Hall phases	NPN open collector / line driver
Max output frequency	205 kHz
Counting direction	A leads B clockwise (shaft view)
Electromagnetic compatibility	IEC 61000-6-1 IEC 61000-6-3

Mechanical specifications

Shaft diameter	6 / 8 / 9,52 (3/8") / 10 mm
Enclosure rating	IP 40 (IEC 60529) IP 64 (IEC 60529)
Max rotation speed	3000 rpm 6000 rpm
Shock	50 G, 11 ms (IEC 60068-2-27)
Vibration	5 G, 10 ... 500 Hz (IEC 60068-2-6)
Bearings	2 ball bearings
Bearings life	10 ⁹ revolutions
Body material	EN-AW 2011 aluminum
Shaft material	1.4305 / AISI 303 stainless steel
Housing material	EN-AW 2011 aluminum
Operating temperature	-10° ... +70 °C -10° ... +85 °C on request
Storage temperature	-25° ... +70 °C
Weight	150 g

Connections and standard colours

Function	14 core wire
+VDC	red
0 V	black
Ch. A	green
Ch. B	yellow
Ch. Z	blue
Ch. A-	brown
Ch. B-	orange
Ch. Z-	white
Ch. U	gray
Ch. V	violet
Ch. W	gray-pink
Ch. U-	red-blue
Ch. V-	white-green
Ch. W-	brown-green
⊥	shield



EF 50 FA / FP / GA / GP

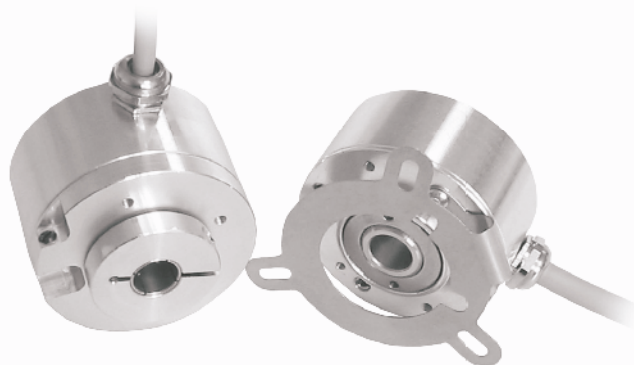
INCREMENTAL ENCODER MOTOR SERIES



MAIN FEATURES

ø 50 encoder series recommended as motor feedback.

- Several ways to fix it
- Easy mechanical mounting
- Small dimensions
- Up to 2048 ppr with zero signal
- Several output types available
- Up to 205 kHz output frequency
- Up to 6000 RPM rotation speed



HOLLOW SHAFT INCREMENTAL ENCODERS

ORDERING CODE

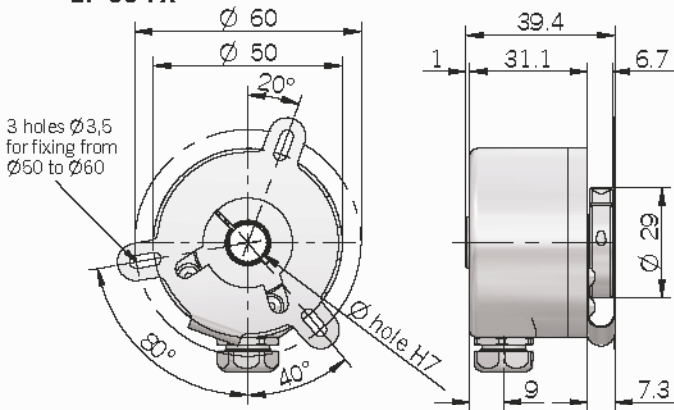
SERIES incremental encoder with Hall phases EF	SIZE mm 50	TYPE fixing with spring F fixing with pin G	FIXING through hollow shaft with front fixing A through hollow shaft with rear fixing P	POLES OF THE MOTOR 4 poles 4 6 poles 6 8 poles 8	OUTPUT TYPE FOR HALL PHASES NPN open collector C line driver L	RESOLUTION ppr from 1 to 2048	ZERO PULSE without zero pulse S with zero pulse Z	VARIANT XXX custom version	OUTPUT TYPE P radial cable output with cable gland (standard length 0.5 m)	MAX ROTATION SPEED 6 000 rpm	ENCLOSURE RATING X IP 40	SHAFT DIAMETER 6 mm 8 mm 9 mm ø 9,52 (3/8") 10 mm	OUTPUT TYPE FOR INCREMENTAL SIGNALS L line driver	POWER SUPPLY 5.5 V DC
EF	50	G	P	6	L	2000	Z	5	L	8	X	6	PR	. XXX



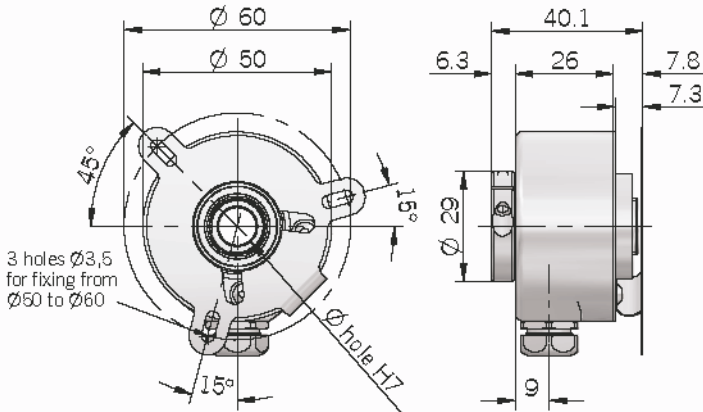
NUANCE

N.B.: please directly contact our offices for pulses availability

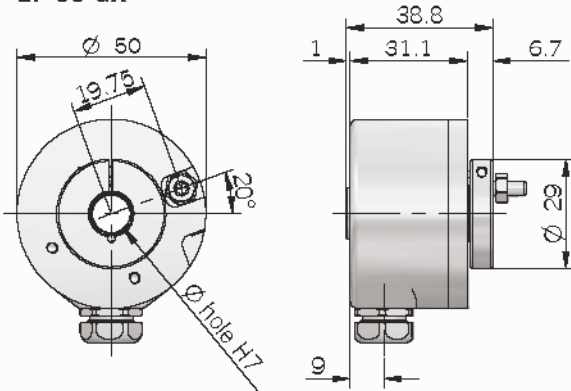
EF 50 FA



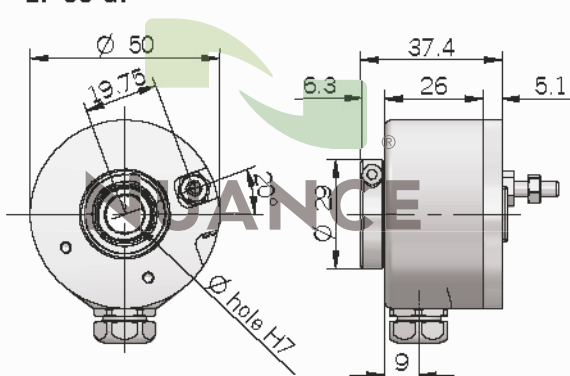
EF 50 FP



EF 50 GA



EF 50 GP



Electrical specifications

Resolution	from 1 to 2048 ppr
Power supply	5 V DC ± 10%
Current consumption without load	150 mA max
Max load current	15 mA for channel (line driver) 30 mA for channel
Output type for incremental signals	line driver
Output type for Hall phases	NPN open collector line driver
Max output frequency	205 kHz
Counting direction	A leads B clockwise (shaft view)
Electromagnetic compatibility	IEC 61000-6-1 IEC 61000-6-3

Mechanical specifications

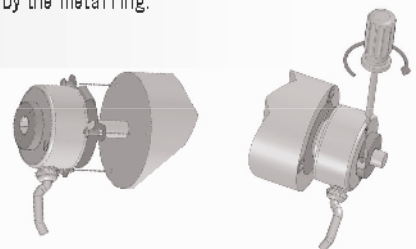
Shaft diameter	6 / 8 / 9,52 (3/8") / 10 mm
Enclosure rating	IP 40 (IEC 60529)
Max rotation speed	6000 rpm
Shock	50 G, 11 ms (IEC 60068-2-27)
Vibration	5 G, 10 ... 500 Hz (IEC 60068-2-6)
Bearings	2 ball bearings
Bearings life	10 ⁹ revolutions
Body material	EN-AW 2011 aluminum
Shaft material	1.4305 / AISI 303 stainless steel
Housing material	EN-AW 2011 aluminum
Operating temperature	-10° ... +70 °C -10° ... +85 °C on request
Storage temperature	-25° ... +70 °C
Weight	150 g

Connections and standard colours

Function	14 core wire
+V DC	red
0 V	black
Ch. A	green
Ch. B	yellow
Ch. Z	blue
Ch. A-	brown
Ch. B-	orange
Ch. Z-	white
Ch. U	gray
Ch. V	violet
Ch. W	gray-pink
Ch. U-	red-blue
Ch. V-	white-green
Ch. W-	brown-green
⊥	shield

HOW TO MOUNT IT

- Couple encoder shaft with motor shaft.
- Fix the spring to the motor flange without tightening it.
- Fix encoder shaft by the metal ring.
- Turn for phasing.
- Block the spring.



MAIN FEATURES

Encoder series designed to be mounted directly on motors. Our integrated elastic coupling allows radial and axial play compensation.

- Resolution up to 10000 ppr with zero signal for EL series, up to 1024 ppr for EH series.
- Different output types available.
- Up to 28 V DC power supply for EL series and up to 24 V DC for EH series.
- Up to 300 kHz output frequency for EL series and up to 100 kHz for EH series.
- Cable or connector output.
- Several flanges available.
- Up to 6000 RPM rotation speed.
- Up to IP 64 sealing.



HOLLOW SHAFT INCREMENTAL ENCODERS

ORDERING CODE

EL	53	A	M*	1000	Z	5/28	N	6	X	6	M	R	.	XXX
SERIES incremental encoder series														VARIANT XXX custom version
EL														DIRECTION TYPE A axial (EL series) R radial
EH														OUTPUT TYPE P cable output (standard length 1.5 m) (EL series) cable output (standard length 0.5 m) (EH series) M M connector output J J connector output
	SIZE mm 53													MAX ROTATION SPEED 3 3000 rpm 6 6000 rpm
	TYPE adjustable flange model A adjustable flange model B													ENCLOSURE RATING X IP 54 S IP 64 (available only with EL series)
	METAL COVER M <i>* add for metal cover (only EL series)</i>													BORE DIAMETER 6 mm 8 mm 10 mm
	RESOLUTION (EL series) ppr from 1 to 10000 (EH series) ppr from 50 to 1024 <i>N.B.: please directly contact our offices for pulses availability</i>													ELECTRONIC INTERFACE N NPN C NPN open collector P push-pull PC protected push-pull (AEIC-7272) L line driver
	ZERO PULSE without zero pulse S with zero pulse Z													
	POWER SUPPLY (available only with L electronic output) 5 V DC 5 (available only with L or PC electronic output) 8 ... 24 V DC 8/24 (available only with EL series) 5 ... 28 V DC 5/28													

