



SERIES 38

MADE IN MARS

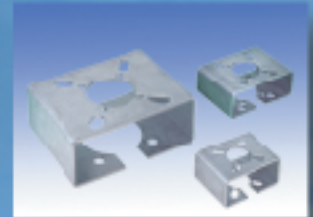
Take a good look, it may be your future

**Three-Way Ball Valves,
Threaded End
Reduced Port
L or T Option
1/4" - 3"
1000 PSI**



DESIGN FEATURES

- Size Available from 1/4" To 3"
- Reduced Port
- L or T Port Option
- All Stainless Steel Construction
- Blow-Out Proof Stem
- ISO 5211 Actuator Mounting Pad
- Locking Device Standard



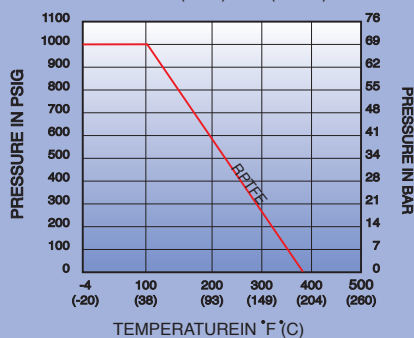
AUTOMATION AVAILABLE

Stem Coupler, Adaptor, Brackets, and Namur type of Solenoid Valve available from Mars Valve

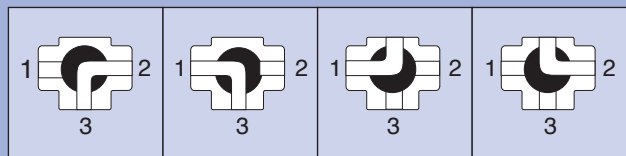


Pressure Vs. Temperature Chart

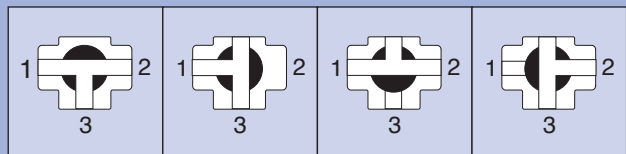
for Valve 1/4"(DN8) to 3"(DN80)



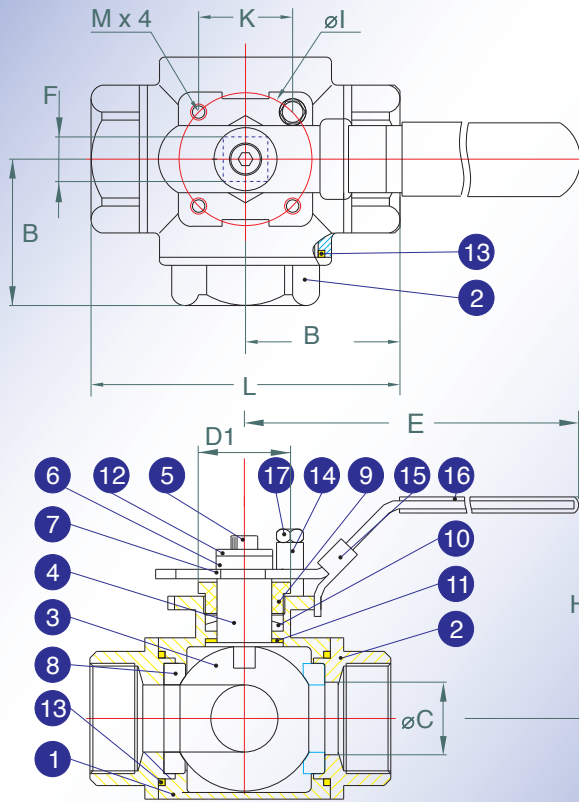
L-Port
(38-1L)



T-Port
(38-1T)



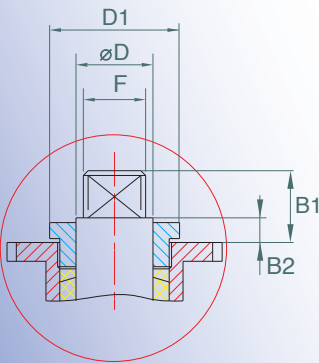
MATERIALS LIST



NO.	PART NAME	MATERIAL	Q'TY
1	Body	ASTM A351 Gr. CF8M	1
2	End Cap	ASTM A351 Gr. CF8M	3
3	Ball	SUS316	1
4	Stem	SUS316	1
5	Stem Nut	SUS 304	1
6	Stem Spacer	SUS 304	1
7	Handle	SUS 304	1
8	Seat	PTFE/RPTFE	4
9	Gland Nut	SUS 304	1
10	Stem Packing	RPTFE	2
11	Stem Seal	PTFE	1
12	Stem Disc	SUS 304	1
13	Joint Gasket	RPTFE	3
14	Cylindrical Spacer	SUS 304	1
15	Locking Device	SUS 304	1
16	Handle Sleeve	VINYL	1
17	Stop Bolt	SUS 304	1

DIMENSIONS (mm)

STEM VIEW



SIZE	B	B1	B2	øC±0.2	øD	D1	E±1.0	F	H±1.0	øl	K	L±0.8	M	ISO5211	Wt.(kg)
1/4"	34.7	10.7	5.7	11.0	12.0	22	133.4	9.0	60.7	42	29.7	69.4	M5*0.8	F04	0.6
3/8"	34.7	10.7	5.7	11.0	12.0	22	133.4	9.0	60.7	42	29.7	69.4	M5*0.8	F04	0.6
1/2"	37.85	10.7	5.8	12.5	12.0	22	133.4	9.0	64.1	42	29.7	75.7	M5*0.8	F04	0.7
3/4"	43.3	13.9	6.9	16.0	15.0	31	178.5	11.0	82.4	50	35.4	86.6	M6*1.0	F05	1.1
1"	51.2	20.0	8.5	20.0	15.0	31	178.5	11.0	86.1	50	35.4	102.4	M6*1.0	F05	1.75
1 1/4"	59.1	23.8	7.8	25.0	15.0	31	209.9	11.0	91.4	50	35.4	118.2	M6*1.0	F05	2.42
1 1/2"	62.9	25.8	10.2	32.0	15.0	31	208	11.0	102.7	70	49.5	125.8	M8*1.25	F07	3.4
2"	74.5	25.3	9.7	38.0	18.5	34	229.9	14.0	110.7	70	49.5	149	M8*1.25	F07	5.45
2 1/2"	80.0	24.5	8.5	50.0	18.0	34	265	14.0	132	70	49.5	160	M8*1.25	F07	6.63
3"	92.5	29.0	9.0	65.0	21.0	34	265	17.0	132	102	72.1	185	M10*1.5	F10	10.54

HOW TO ORDER ■ 38-1T 08 S

38-1T	08	S
VALVE TYPE	VALVE SIZE	BODY MATERIAL
<input type="checkbox"/> L-PORT 38 - 1L	<input type="checkbox"/> 01) 1/4" DN 8	<input checked="" type="checkbox"/> S CF8M
<input checked="" type="checkbox"/> T-PORT 38 - 1T	<input type="checkbox"/> 02) 3/8" DN 10	
	<input type="checkbox"/> 03) 1/2" DN 15	
	<input type="checkbox"/> 04) 3/4" DN 20	
	<input type="checkbox"/> 05) 1" DN 25	
	<input type="checkbox"/> 06) 1 1/4" DN 32	
	<input type="checkbox"/> 07) 1 1/2" DN 40	
	<input checked="" type="checkbox"/> 08) 2" DN 50	
	<input type="checkbox"/> 09) 2 1/2" DN 65	
	<input type="checkbox"/> 10) 3" DN 80	

BREAK AWAY TORQUE

Valve Size	Nm	in-lbs.
1/4"	5	49
3/8"	5	49
1/2"	6	55
3/4"	8	73
1"	8	73
1 1/4"	14	122
1 1/2"	19	170
2"	56	496
3"	195	1728



MARS VALVE CO., LTD.
TRANSWORLD STEEL ENT.CO., LTD.

7F-6, NO.200, SEC.4, WEN-SHIN ROAD,
TAICHUNG, TAIWAN, R.O.C.
TEL:++886-4-2297 3808
FAX:++886-4-2297 3608
E-mail: mars@marsvalve.com.tw
<http://www.marsvalve.com.tw>

Distributed by: