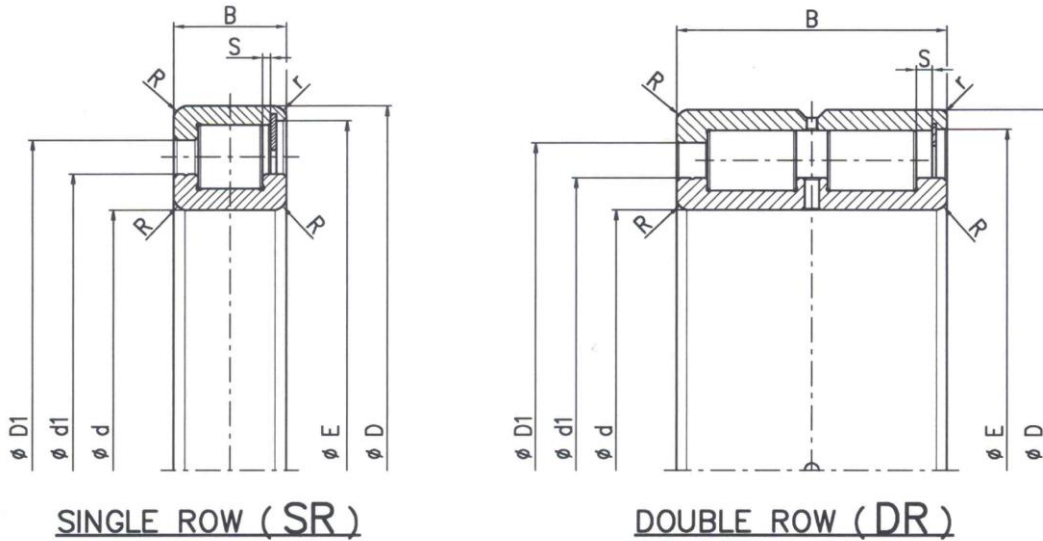


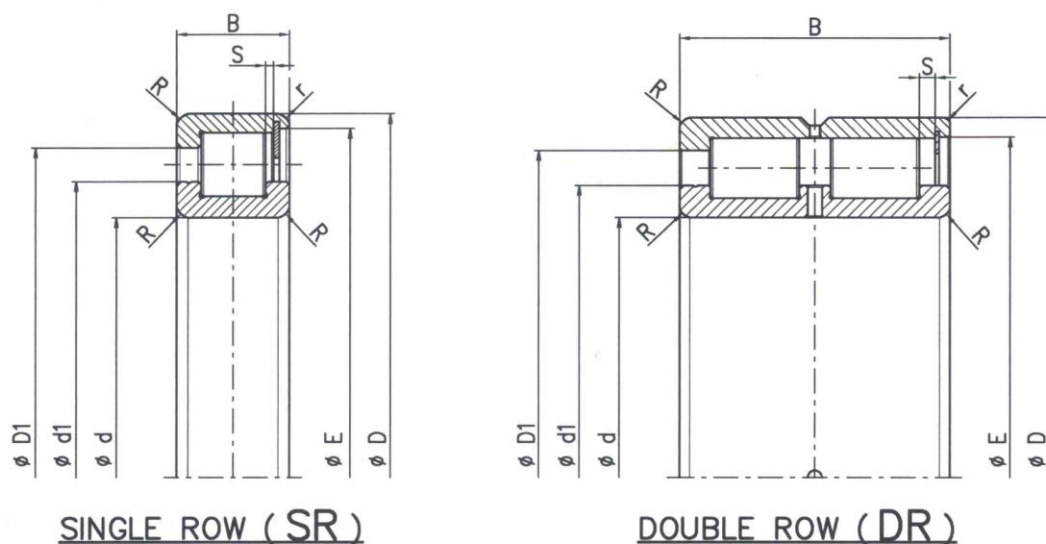
LAST UPDATE:OCT 2012



ASK CPM TECHNICAL  
SERVICE THE DETAILED  
DRAWING

d	D	B	R	r	S	D 1	E	d 1	shape	BASIC DYNAMIC LOAD RATING Cr kN	BASIC STATIC LOAD RATING Cor kN	TYPE	CPM CODE
20	42	16,0	0,6	0,3	1,5	33,0	36,8	28,6	SR	27,5	27,9	SL 183004	2511
50	90	23,0	1,1	1,1	1,0	76,0	81,5	65,0	SR	94,0	114,0	SL 182210	2560
65	90	15,8	1,0	1,0	1,0	81,0	85,3	75,5	SR	60,0	86,0	SIMILAR TO SL 182913	4343
70	100	18,8	1,0	1,0	1,0	87,5	92,3	81,0	SR	79,0	114,0	SIMILAR TO SL 182914	4344
85	120	21,7	1,1	1,1	1,0	105,0	109,6	96,0	SR	104,0	159,0	SIMILAR TO SL 182917	4345
140	190	30,0	1,5	1,5	2,0	172,0	180,5	159,0	SR	226,0	392,0	SL 182928	2659
160	220	36,0	2,0	2,0	2,5	199,0	208,5	181,0	SR	310,5	538,7	SL 182932	2658
190	260	42,0	2,0	2,0	2,0	235,0	245,0	212,0	SR	445,0	800,0	SL 182938	2631
220	270	24,0	1,5	1,5	2,0	250,9	260,0	238,7	SR	188,0	377,0	SL 181844	2622
240	300	28,0	2,0	2,0	2,0	279,0	288,6	262,1	SR	265,0	520,0	SL 181848-E	2621
320	383	38,0	2,0	2,0	4,0	359,0	368,0	347,0	SR	343,0	879,0	-	2580
360	430	41,0	2,1	2,1	4,0	402,0	414,0	387,0	SR	478,0	1242,0	-	2581
400	480	48,0	2,1	2,1	4,0	450,0	463,0	430,0	SR	648,0	1658,0	-	2582

LAST UPDATE:OCT 2012



ASK CPM TECHNICAL SERVICE THE DETAILED DRAWING

d	D	B	R	r	S	D 1	E	d 1	shape	BASIC DYNAMIC LOAD RATING Cr kN	BASIC STATIC LOAD RATING Cor kN	TYPE	CPM CODE
100	150	67,0	1,5	0,8	4,0	133,5	140,2	116,0	DR	375,0	628,0	SL 185020	2694
120	180	80,0	2,0	2,0	5,0	160,5	167,6	139,0	DR	520,0	890,0	SL 185024	2695
260	320	60,0	2,0	2,0	2,0	297,5	306,5	283,5	DR	573,0	1585,0	SIMILAR TO SL 014852	4390
280	350	69,0	2,0	2,0	3,0	324,6	334,0	304,6	DR	732,0	1937,0	SIMILAR TO SL 014856	4391