

AZO Vibration Bottom type VB ... design S for reliable discharge from hoppers

**Reliable
discharge**

**Sturdy
design**

**Simple
construction**

For universal use

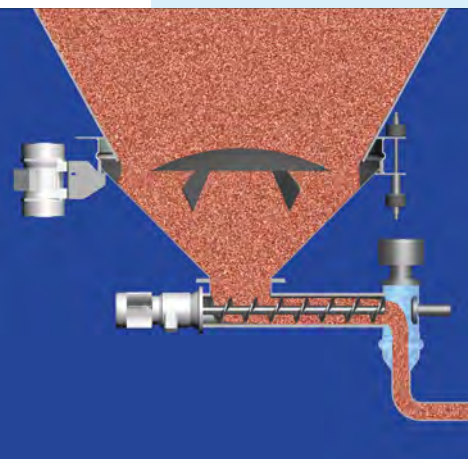
Preferred applications

For reliable discharge of powdery, crystalline, high-fat and granular bulk materials from hoppers. It can be used for almost all materials in the foodstuffs, plastics, chemical and pharmaceutical industries.

Special advantages

- Simple and sturdy design
- Reliable discharge
- For universal use
- Uniform fall of the product column (materials flow)
- No stacking and bridging
- Also suitable for problematic and flow-resistant materials
- Optimum emptying of hoppers, without residues

THE INNOVATION

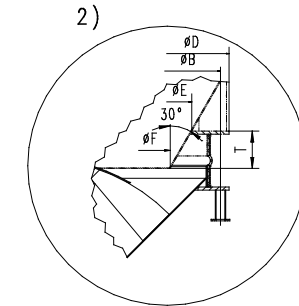
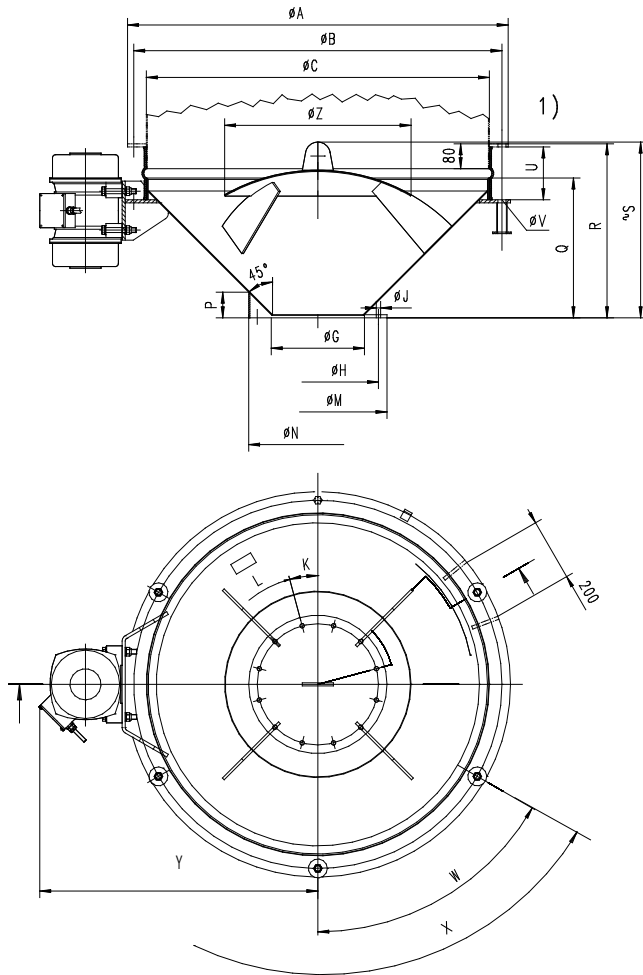


How it works

The vibration bottom is set in horizontal circular vibrations by the laterally mounted unbalance vibrator. The vibrations are transmitted to the materials column via the relieving cone which is oscillating in the interior of the vibration bottom. Thus the material is put in motion falling uniformly without core flow or bridging. The product reliably reaches the discharge through the ring gap. The intensity of the

vibrations, which depends on the type of material and the required output, can be set at the unbalance vibrator.

Dimension diagram for vibration bottoms VB 1100 – VB 2400, design S



- S = Silo design > 5 m³
- 1) = Primary silo with cylindrical discharge
- 2) = Primary silo with conical discharge

Technical data

Collar:

EPDM black (FDA approved)
silicon (FDA approved)

Design:

Mild steel, epoxy-coated
light grey RAL 7035,
nickel chromium steel
1.4301; 1.4571

Various surface finishings are available depending on hygiene requirements

Power supply:

400V, 50 Hz
special voltages are possible

Type	Drive kW	Protection type	Head class	Gross capacity	Weight kg
VB 1100	0,80	IP 65	B	ca. 200 dm ³	160
VB 1400	0,80	IP 65	B	ca. 385 dm ³	210
VB 1600	1,20	IP 65	B	ca. 565 dm ³	370
VB 2000	1,20	IP 65	B	ca. 1050 dm ³	580
VB 2400	1,20	IP 65	B	ca. 1800 dm ³	720

Type	ØA	ØB	ØC	ØD	ØE	ØF	ØG	ØH	ØJ	K	L	ØM
VB 1100	1225	1185	1104	1240	1000	860	300	390	14	15°	12x30°	445
VB 1400	1640	1540	1400	1640	1300	1160	300	390	14	15°	12x30°	445
VB 1600	1800	1720	1600	1840	1540	1400	300	390	14	15°	12x30°	445
VB 2000-300	2240	2140	2000	2240	1940	1800	300	390	14	15°	12x30°	445
VB 2000-800	2240	2140	2000	2240	1940	1800	600	—	—	—	—	—
VB 2400	2640	2540	2400	2640	2340	2200	910	—	—	—	—	—

Type	ØN	P	Q	R	S	T	U*	ØV	W	X	Y	ØZ
VB 1100	—	—	450	560	566	120	170	26	60°	6x60°	895	600
VB 1400	—	—	600	710	753	121	170	30	22,5°	8x45°	1095	753
VB 1600	—	—	700	810	881	121	170	30	22,5°	8x45°	1255	1100
VB 2000-300	—	—	895	1005	1128	121	170	30	15°	12x30°	1455	1500
VB 2000-800	800	100	750	860	983	121	170	30	15°	12x30°	1455	1500
VB 2400	1104	100	798	918	1086	121	170	30	11,25°	16x22,5°	1640	1900