

---

## WEARING PART PACKAGE

- Extend the life of your machines, with guaranteed constant cutting quality
  - Custom-fit original parts exclusively from Bäumert
  - Cost effective and quick delivery of spare parts
- 



The wearing part package shown here can be tailored to fit your machine and requirements.

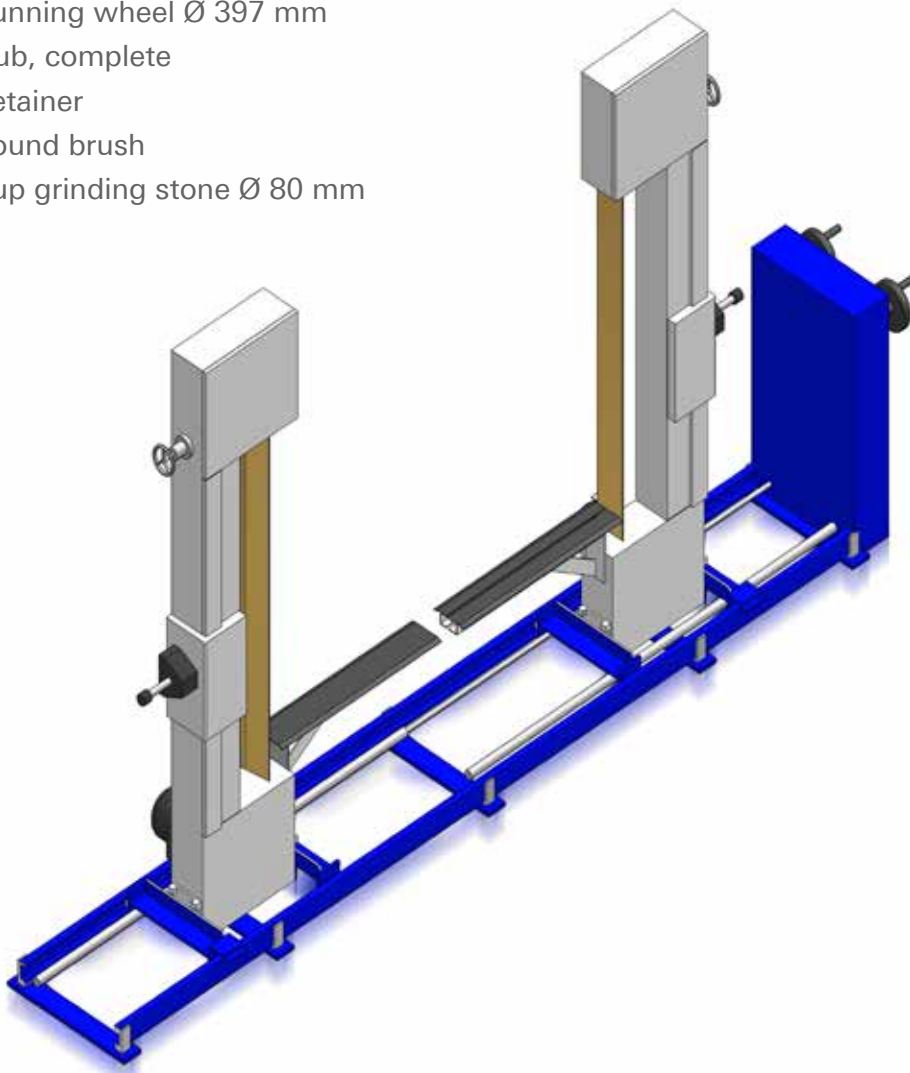
### Replacement and wearing parts directly from the manufacturer

Our machinery and systems produce replacement and wearing parts on the five major contents of the world, and providing them to our customers is our daily business. We ship by land, air and sea – always finding the most cost-effective method to reach you. We provide more than just replacement and wearing parts. Our experts are ready to assist you in choosing the right parts or can provide you with recommendations.

We also conduct a technical review of your parts request and order to ensure that you receive the right replacement or wearing part. The best way to access your required parts promptly is to stock up. We are happy to provide you with a recommendation based on your needs. Get everything you need from a single source.

**Your wearing part package for the IS-BA trimming machine includes the following parts, for example, depending on the version:**

- 2 piece Brush strip l = 20 mm
- 10 piece Diamond screw
- 4 piece Guiding element
- 4 piece Running wheel Ø 397 mm
- 2 piece Hub, complete
- 4 piece Retainer
- 4 piece Round brush
- 10 piece Cup grinding stone Ø 80 mm



---

**We would be happy to prepare a non obligation offer.**

Albrecht Bäumer GmbH & Co. KG  
Asdorfer Straße 96-106  
57258 Freudenberg, Germany

P. +49 2734 289-0  
F. +49 2734 289-289