

- Mechanical stroke adjustment
- Stroke frequency regulation
- Pulse control
- Pulse multiplication and division
- Pulse storage
- Standard signal drive
- Empty signal report and level pre-warning
- External metering stop
- Empty signal and stroke signal output
- Metering regulator (readjustment of metering output) in combination with an oval gear meter



The ELADOS® EMP II series of metering pumps is based on the building block principle. Devices of this series comprise the drive unit, the gear, the metering pump head and the electronics. Different electronic control variants guarantee that the pump

may be adapted to any processing sequence for quantity or proportional metering. The scope of delivery is rounded off by practical accessories, so forming a complete range of equipment for all metering uses.

Technical Data (standard version):

Pump type	V3014	V3025	00048	00043	00072	00072	00112	00240
Pump capacity [l/h] */**	1.4	2.5	4.8	4.3	7.2	7.2	11.2	24
Max. metering back-pressure [bar]**	10	10	4	10	6	10	5	2
Delivering capacity/stroke [cm ³]	0.19	0.34	0.65	0.57	0.98	0.98	1.51	3.28
Reproductivity	<± 3 %							
Suction height	2 mWs, suction height with clean, slightly wet valves							
Max. metering frequency	122 1/min							
Max. ambient temperature	40° C							
Weight [kg]	2.1	2.1	2.1	2.4	2.4	3.1	3.1	3.3
Power supply**	230 V / 50 Hz ± 10 % (100 – 240 V 50/60 Hz ± 10 %)*** (special voltages on request)							
Current consumption [A] at 115 V 50/60 Hz 230 V 50/60 Hz	0,12 0,06		0,20 / 0,21 0,09		0,25 0,1			
Motor power [W] at 115/230 V 50 Hz 115/230 V 60 Hz	10,4 / 11,5		18,7 / 19,8		25			
Protective class	I							
Safety type	IP 65							
Insulation class	B							

* All data refer to water temperature of 20°C.

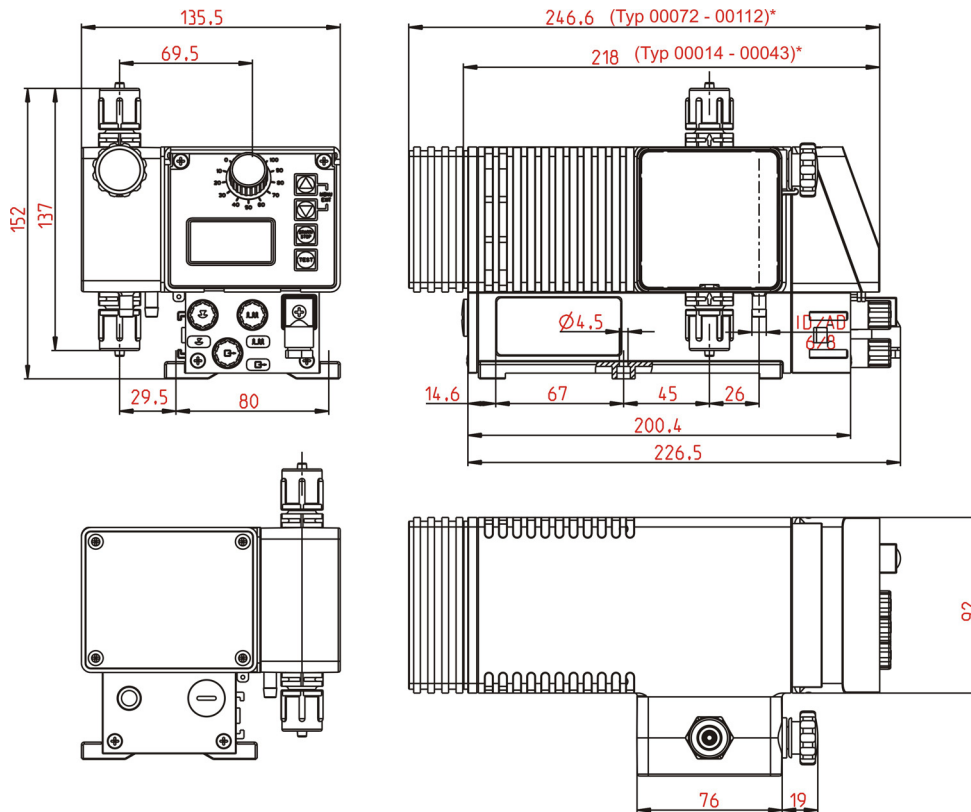
** At a mains frequency of 60 Hz delivery capacity increases by 20%, metering back-pressure decreases by 20%

*** The values in brackets refer to types 00072, 00112, 00240 with BLDC motor (recognizable by voltage indication 100- 240 V on identification plate).

Materials:

- Housing: thermoplastic polyester
- Pump head: PVDF
optional: polypropylene or stainless steel 1.4436
- Diaphragm: PTFE – EPDM compound diaphragm
- Seals: FPM 602 (Viton B)
optional: EPDM or Kalrez
- Valve balls: ceramics
optional: PTFE or stainless steel 1.4401
- Colour: blue RAL 5007

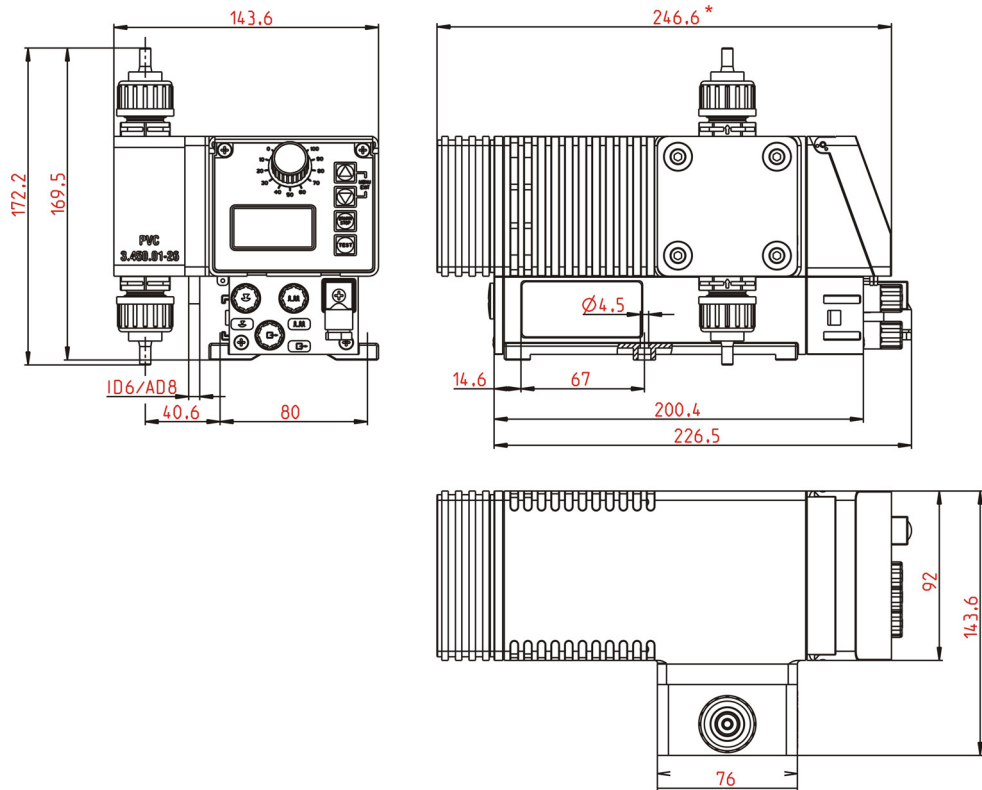
Dimensions (type V3014 – 00112) :



* Linear dimension of types 00072 and 00112 with conventional synchronous motor as shown in the preceding figure (246.6 mm). Linear dimension of types 00072 and 00112 with BLDC motor (recognizable by voltage indication 100-240V on identification plate) identical with types 00014 up to 00043 (218 mm).

Dimensions (type 00240):

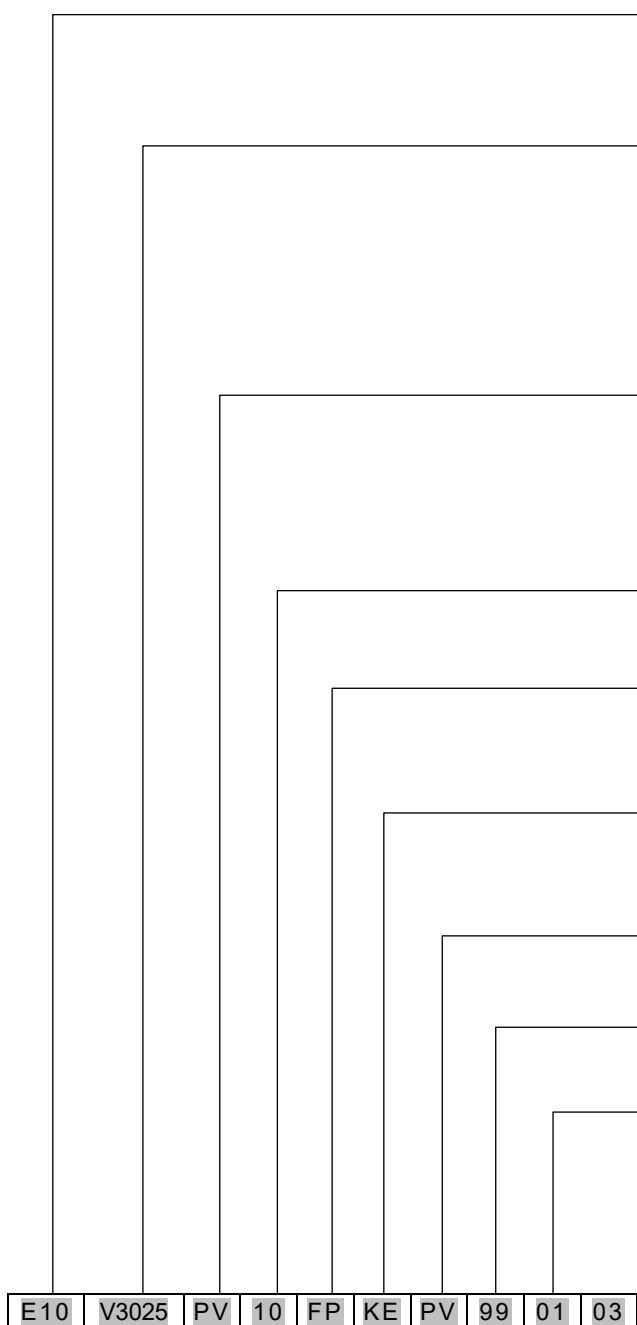
Fig. 14.2



* Linear dimension of type 00240 with conventional synchronous motor as shown in the preceding figure (246,6 mm).
 Linear dimension of type 00240 with BLDC-Motor (recognizable by voltage indication 100-240V on identification plate) identical with types 00014 up to 00043 (218 mm).



Pump code – part 1



1. Electrical version (please see legend on page 6)

E 10
 E 60

2. Pump capacity 50 Hz [60 Hz]

V3014	=	1.4 l/h	[1.7 l/h]
V3025	=	2.5 l/h	[3.0 l/h]
00048	=	4.8 l/h	[5.7 l/h]
00043	=	4.3 l/h	[5.1 l/h]
00072	=	7.2 l/h	[8.6 l/h]
00112	=	11.2 l/h	[13 l/h]
00240	=	24 l/h	[29 l/h]
(special version)			

3. Pump material

PP = PP
 PV = PVDF (standard)
 VA = stainless steel

4. Metering back pressure (depends on pump capacity)

02	=	2 bar (for 24 l/h)	[1.6 bar]
04	=	4 bar (for 4.8 l/h)	[3.2 bar]
05	=	5 bar (for 11.2 l/h)	[4 bar]
06	=	6 bar (for 7.2 l/h)	[4.8 bar]
10	=	10 bar (for 1.4 / 2.5 / 4.3 / 7.2 l/h)	[8 bar]

5. Sealing material

EP = EPDM
 FP = Viton B (standard)
 KA = kalrez

6. Valve ball material

VA = stainless steel
 KE = ceramics (standard)
 PT = teflon

7. Valve material

PP = PP
 PV = PVDF (standard)
 VA = stainless steel

8. Valve spring

99 = without spring (standard)

9. Mains supply

01	=	mains cable 2 m shock-proof plug (E10, 230 V)
02	=	mains cable 2 m end splices (E10, 115 V)
17	=	mains cable 2 m shock-proof plug (E60, 230 V)
21	=	mains cable 3 m end splices (E60, 115 V)

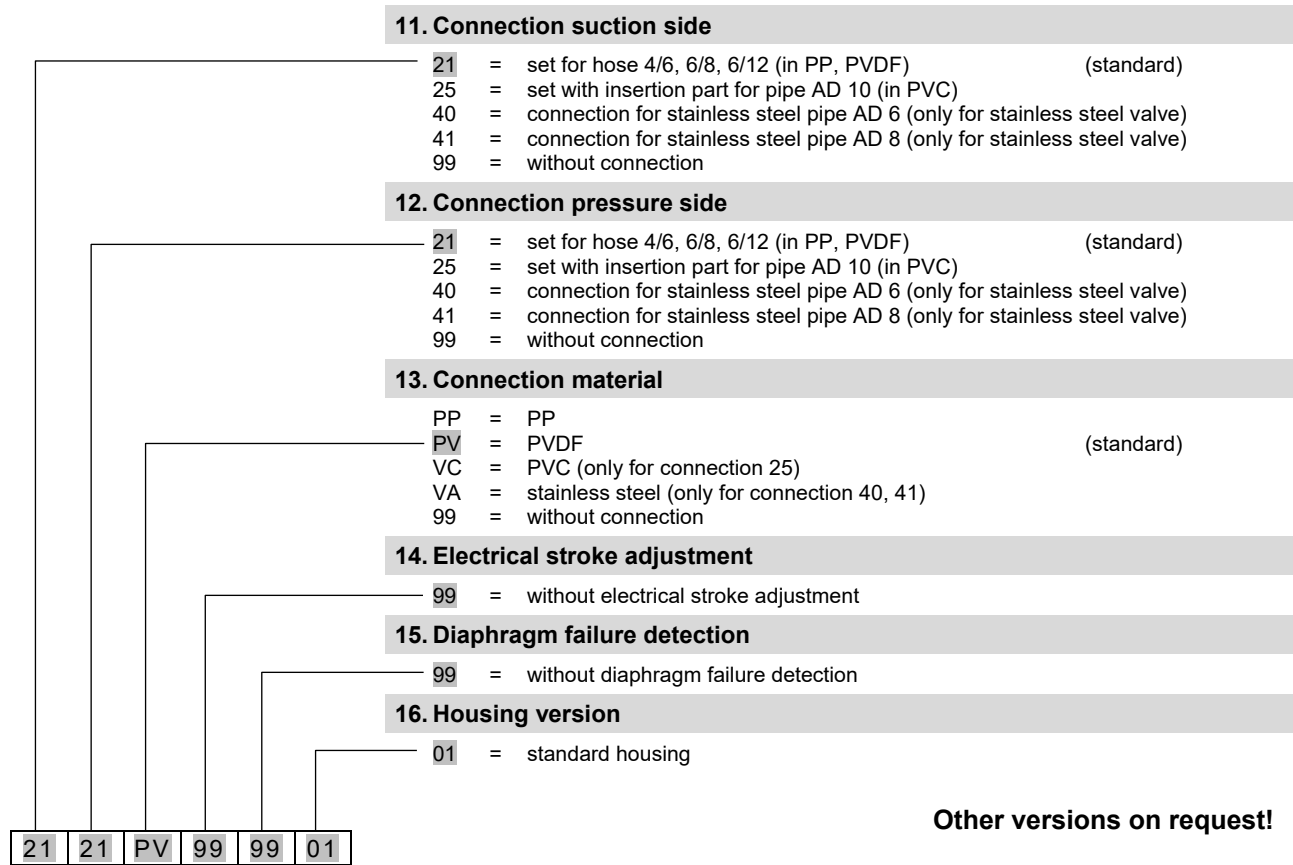
10. Power supply

01	=	115 V / 50 Hz
02	=	115 V / 60 Hz
03	=	230 V / 50 Hz
04	=	230 V / 60 Hz
08	=	230 V / 50/60 Hz
09	=	115 V / 50/60 Hz
17	=	100 – 240 V / 50/60 Hz (only types 00072, 00112, 00240)

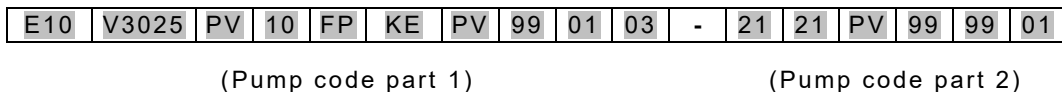
Other versions on request!



Pump code – part 2



Example of a complete pump code of a standard pump:





Electrical versions

E 10 On / off switch, mechanical stroke adjustment

- E 60**
- Mechanical stroke adjustment
 - Back-lit graphic display, 4 operating keys
 - Single stroke control (each stroke is completely executed)
 - Metering monitoring via stroke-signal output or via external metering-monitoring system (e.g. liquid level switch) possible
 - Registration of operating and consumption data (calculative)
 - Calibration function

Selectable operating modes:

Internal mode

Selection of metering rate/metering frequency via:

- Strokes/min
- Percent
- Liter/h (or gallon/h)

External mode

- Pulse mode (actuation via pulses)
 - Pulse multiplication (one incoming pulse = n metering strokes)
 - Pulse division (n incoming pulses = 1 metering stroke)
- Standard signal mode (actuation via external standard signal 0/4-20mA or 20-0/4mA)
- Charge mode (a previously selected quantity is metered, with initiation via an external initiation pulse)

Inputs:

- Level monitoring, package vessel (reserve and empty signal)
- Pulse
- Standard signal
- Enable (metering interlock)
- Metering control

Outputs:

- Level monitoring package vessel / malfunction
- Stroke signal



Ordering data – standard pumps:

Article	Pump code	Material-No.
ELADOS® EMP II	E10 V3014 PV 10 FP KE PV 99 01 08 – 21 21 PV 99 99 01	148010
	E10 V3025 PV 10 FP KE PV 99 01 08 – 21 21 PV 99 99 01	148110
	E10 00048 PV 04 FP KE PV 99 01 08 – 21 21 PV 99 99 01	148210
	E10 00043 PV 10 FP KE PV 99 01 03 – 21 21 PV 99 99 01	148310
	E10 00072 PV 06 FP KE PV 99 01 03 – 21 21 PV 99 99 01	148410
	E10 00072 PV 10 FP KE PV 99 01 17 – 21 21 PV 99 99 01	148514
	E10 00112 PV 05 FP KE PV 99 01 17 – 21 21 PV 99 99 01	148614
	E10 00240 PV 02 FP KE PV 99 01 17 – 21 21 PV 99 99 01*	148714

Extent of supply: 2 m connector cable with shock-proof plug, material of hose connection 4/6 mm, 6/8 mm and 6/12 mm, operating instructions

ELADOS® EMP II	E60 V3014 PV 10 FP KE PV 99 17 08 – 21 21 PV 99 99 01	148060
	E60 V3025 PV 10 FP KE PV 99 17 08 – 21 21 PV 99 99 01	148160
	E60 00048 PV 04 FP KE PV 99 17 08 – 21 21 PV 99 99 01	148260
	E60 00043 PV 10 FP KE PV 99 17 03 – 21 21 PV 99 99 01	148360
	E60 00072 PV 06 FP KE PV 99 17 03 – 21 21 PV 99 99 01	148460
	E60 00072 PV 10 FP KE PV 99 17 17 – 21 21 PV 99 99 01	148584
	E60 00112 PV 05 FP KE PV 99 17 17 – 21 21 PV 99 99 01	148684
	E60 00240 PV 02 FP KE PV 99 17 17 – 21 21 PV 99 99 01*	148784

Extent of supply: 2 m connector cable with shock-proof plug, material of hose connection 4/6 mm, 6/8 mm and 6/12 mm, dummy plug for empty signal input, dummy cap for empty signal or stroke signal output, 5-pin connection plug for pulse and standard signal input, plug allocation plan, operating instructions

* In case of pump type 00240, pay attention to the chapters about accessories (page 21) and spare parts (page 29) for pressure side!

ELADOS® EMP II E 60^{PLUS}

With the add-on unit (Dongle Box) for connection of an OGM^{PLUS} oval gear meter the version E 60 turns to version E 60^{PLUS}.



Article

Material-No.

Dongle Box

248606

with the following additional functions:

- Automatic readjustment of pump output in combination with an oval gear meter (for operating modes "internal" and "current" only)
- Automatic calibration function via oval gear meter
- Consumption data control by means of oval gear meter



Oval gear meter

for volumetric measurement of the rate of flow

Ordering data are to be found in chapter 7 of "Measuring and Controlling".

Accessories:



Article

Material No.

Suction lances D 16 with reserve and empty signal report

incl. ball non-return valve, suction strainer, level pre-warning contact, empty signal contact (when dropping below the level = contact interrupted), hose connection material (4/6 mm, 6/8 mm, 6/10 mm and 6/12 mm)

Tube diameter: 16 mm
 Suction line: PE
 Connection cable: circular connector incl. 5 m cable
 Turn-on voltage: max.48 V AC/DC
 Switching current: 0.5 A
 Rupturing capacity: 8 W / 8 VA

SGL VCPVFP99GL000 G3/8-06-2SS-0540-9951 (for container 20 l)	249020
SGL VCPVFP99GL000 G3/8-06-2SS-0750-9951 (for container 30/60 l)	249021
SGL VCPVFP99GL000 G3/8-06-2SS-0970-9951 (for container 100/200 l)	249022
SGL VCPVFP99GL000 G3/8-06-2SS-1125-9951 (for container 200 l)	249023



Suction lances D32 with reserve and empty signal report

incl. of ball non-return valve, suction strainer and zero-potential empty signal contact (empty = contact interrupted), hose connection material (4/6 mm, 6/8 mm and 6/12 mm)

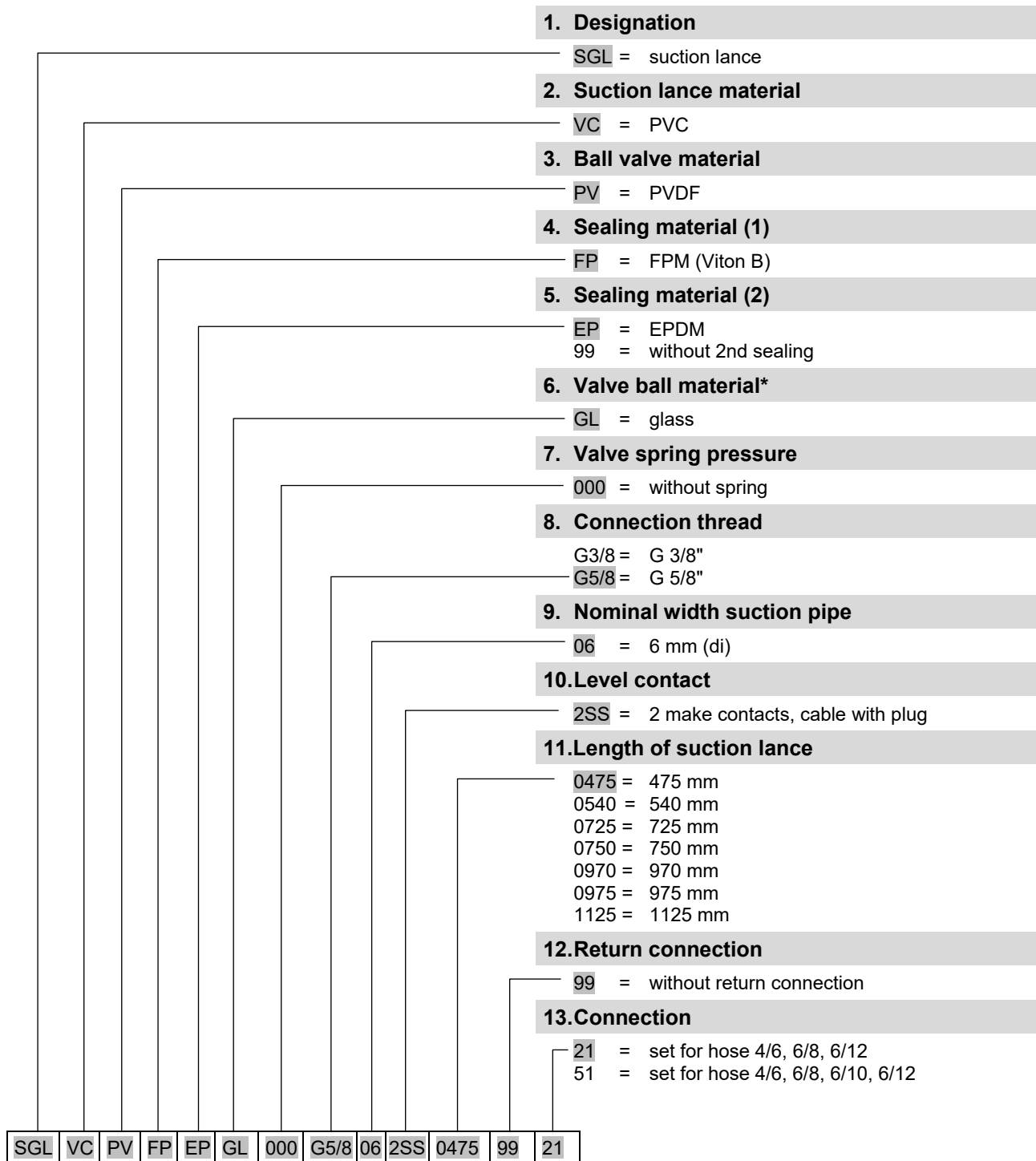
Pipe diameter: 32 mm
 Connection cable: circular connector incl. 5 m cable
 Turn-on voltage: max. 50 V AC/DC
 Switching current: 0.5 A
 Rupturing capacity: 10 W / 10 VA

SGL VCPVFPEPGL000 G5/8-06-2SS-0475-9921 (for container 20 l)	186140
SGL VCPVFPEPGL000 G5/8-06-2SS-0725-9921 (for container 30/60 l)	186141
SGL VCPVFPEPGL000 G5/8-06-2SS-0975-9921 (for container 100/200 l)	186142
SGL VCPVFPEPGL000 G5/8-06-2SS-1125-9921 (for container 200 l)	186143

Please see next page for pump code declaration.



Suction lance code



* standard valve ball material will soon be changed to ceramics

	Article	Material No.
	<p>Adaptor – screw cap for suction lance Ø 16 mm</p> <p>Thread pitch: 5 mm Threaded int. diameter: 50 mm Threaded ext. diameter: 55 mm Hole diameter: 25 mm can be screwed on: canister 10 l and 20 l</p>	38619003
	<p>as 38619003 but with</p> <p>Threaded int. diameter: 56 mm Threaded ext. diameter: 61 mm can be screwed on: canister 30 l or container 60 – 200 l</p>	38619004
	<p>as 38619004 but with return hole</p>	247627
	<p>Adaptor – insert cap</p> <p>for suction lance Ø 32 mm PVC soft to attach on: canister 10 l and 20 l</p>	286198
	<p>Adaptor – insert cap</p> <p>for suction lance Ø 32 mm PVC – hard / Viton B appropriate for degassing products Return connection: 4/6, 6/8 or 6/12 mm (int.Ø /ext.Ø) Vent connection: 6/12 mm (int.Ø /ext.Ø) to attach on: canister 30 l or container 60 – 200 l</p>	288534
	<p>Adaptor – screw joint</p> <p>for suction lance Ø 32 mm PVC hard Thread pitch: 5 mm Threaded int. diameter: 56 mm Threaded ext. diameter: 61 mm can be screwed on: canister 30 l or container 60 – 200 l</p>	286197
	<p>Adaptor – screw joint</p> <p>for suction lance Ø 32 mm PVC – hard / Viton B / silicone appropriate for degassing products Return connection: 4/6, 6/8 or 6/12 mm (int.Ø /ext.Ø) Vent connection: 6/12 mm (int.Ø /ext.Ø) Thread pitch: 5 mm Threaded int. diameter: 63 mm Threaded ext. diameter: 69 mm for barrel with internal thread (L–ring plus barrel 220 l)</p>	288535



Article
Adapter screw connection
 for suction lance Ø 32 mm
 PVC – hard / Viton B / Silicon
 suitable for degassing products
 Return connection: 4/6, 6/8 or 6/12 mm (int./ext.Ø)
 Vent connection: 6/12 mm (int./ext.Ø)
 Thread pitch: 2.31 mm
 Threaded int. diameter: 56.66 mm
 Threaded ext. diameter: 59.61 mm
 for container screw cap with 2" internal thread

Material No.
 288570



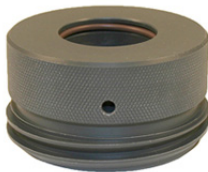
Adapter
 2" internal thread for adapter screw connection **288570**
 Tri-Sure external thread for container screw cap

419800026



Suction lance adapter, rigid PVC/Viton B
 for canister or barrel

288549



Suction lance adapter, rigid PVC/Viton B
 for barrels (I-ring plus – barrel 220)

288547



Suction lance adapter, rigid PVC/Viton B
 for container (ECOBULK-container with skid pallet)
 for screw in in screw cap with 2"
 Tri-Sure-Stuffing

288548



Terminal box for connection cable of the suction pipe
 for connection cable with round plug
 incl. cable union PG 7 (max. 2 x 1 m²)

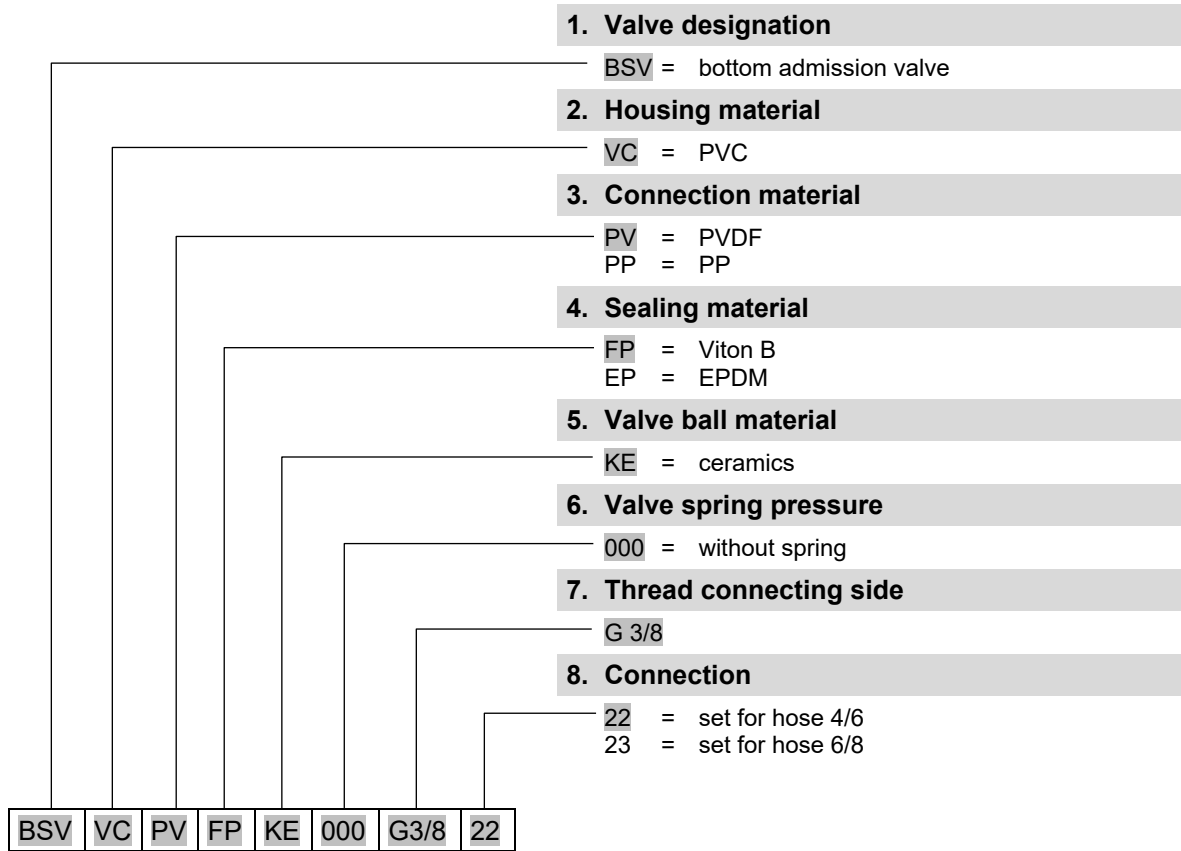
288419



Article	Material No.
<p>Protection tubes for suction lances, D32 for prevention of mechanical damage of the suction valve and the float respectively; suitable for all suction lances Ø 32 mm</p>	
<p>Protection tube, PVDF, 32,5/40 (int.Ø /ext.Ø) incl. fastening screw</p>	286191
<p>Protection tube, stainless steel (1.4035), 32,5/40 (int.Ø /ext.Ø) incl. fastening screw</p>	286153



Bottom admission valve for type V3014 – 00112



Article

Material-No.

BSV VC PV FP KE 000 G 3/8 - 22	243129
BSV VC PV FP KE 000 G 3/8 - 23	243130
BSV VC PV EP KE 000 G 3/8 - 22	243131
BSV VC PV EP KE 000 G 3/8 - 23	243132
BSV VC PP FP KE 000 G 3/8 - 22	243125
BSV VC PP FP KE 000 G 3/8 - 23	243126
BSV VC PP EP KE 000 G 3/8 - 22	243127
BSV VC PP EP KE 000 G 3/8 - 23	243128



Article

Material-No.

Pulsation damper

To reduce pressure peaks and pulsation at oscillating rotary pumps at the pressure side and to prevent cavitating at the suction side.

Stroke volume: 15 cm³/stroke
 Admissible nominal pressure: 10 bar
 Thread connection: G ¾

PDS 080 D16 PP/Hypalon

415503009

Housing material: PP
 Sealing/diaphragms: Hypalon

PDS 080 D16 PP/Viton

415503010

Housing material: PP
 Sealing/diaphragms: Viton



Manometer

415502560

0-10 bar, connection G ¼

Attention:

When adjusting the initial pressure the pulsation damper has to be relieved on the metering media side.



Reduction G ½ a – G ¼ i

415202771

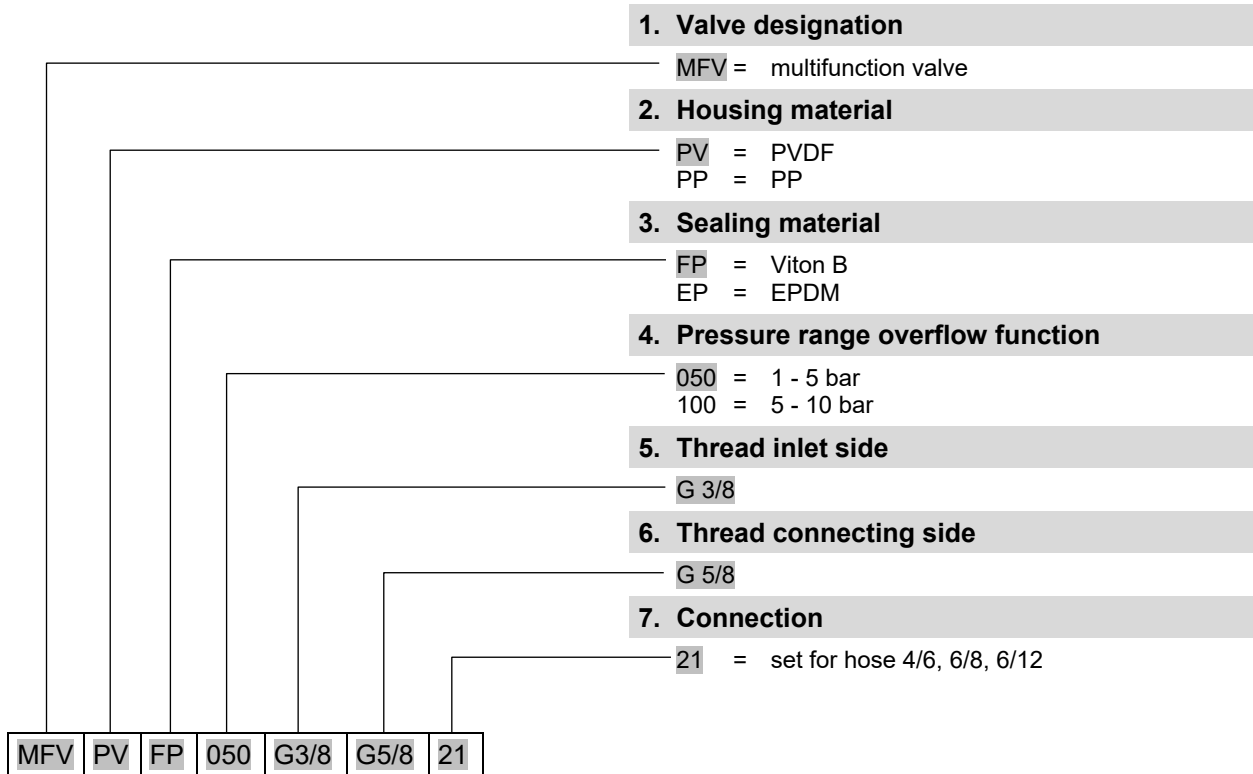


Optical metering control

288524

The optical metering control is executed by the operation of a ball in the transparent window of the metering display during metering of the product.

Multifunction valve



This safety-relevant component serves the purpose of protecting the piping system and the metering pump and permits safe and reliable commissioning and maintenance of the system.

The multiple function valve combines all of the following functions: **overflow**, **pressure maintenance**, **venting** and **drainage**



Article	Material-No.
MFV PV FP 050 G 3/8 – G 5/8 – 21	249240
MFV PV EP 050 G 3/8 – G 5/8 – 21	249260
MFV PV FP 100 G 3/8 – G 5/8 – 21	249241
MFV PV EP 100 G 3/8 – G 5/8 – 21	249261
MFV PP FP 050 G 3/8 – G 5/8 – 21	249246
MFV PP EP 050 G 3/8 – G 5/8 – 21	249266
MFV PP FP 100 G 3/8 – G 5/8 – 21	249247
MFV PP EP 100 G 3/8 – G 5/8 – 21	249267

Further material combinations on request!



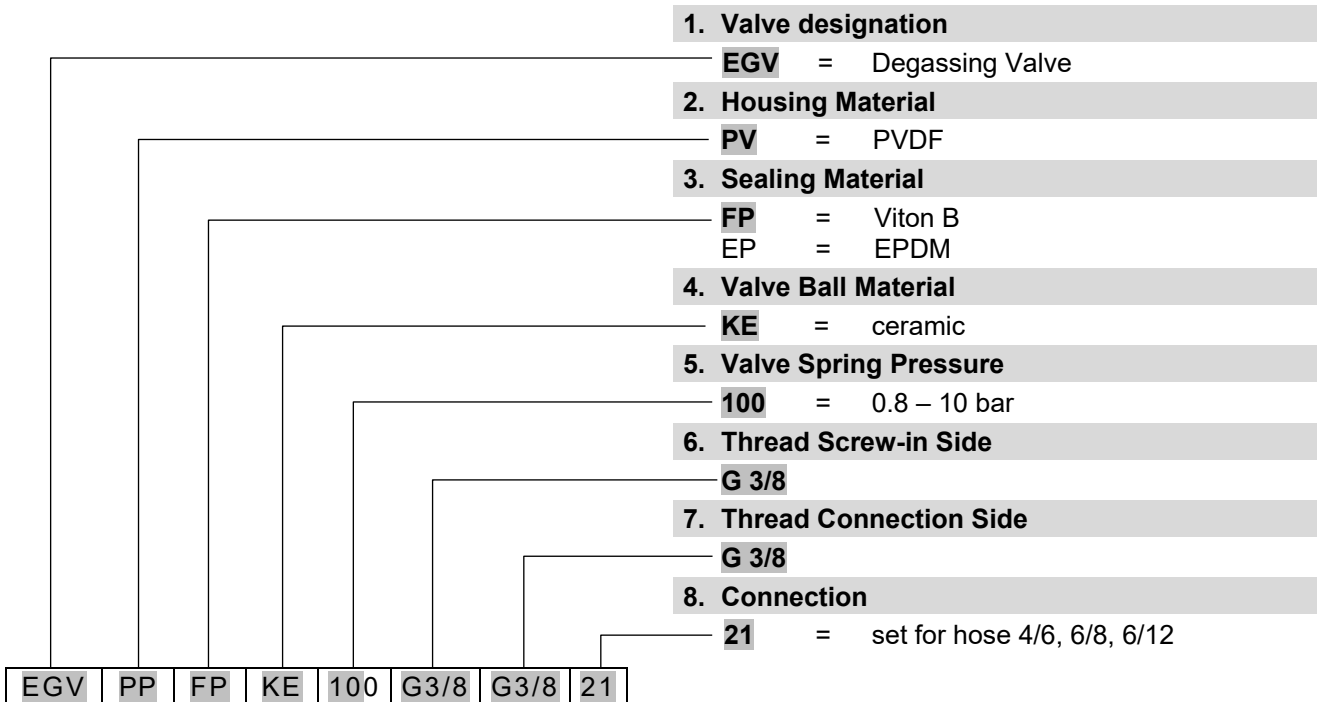
Degassing Control „Degas^{PLUS}“

The Degas^{PLUS} is a combination of a degassing valve (EGV) and a connection cable with plug. Directly mountable on the pump metering valve, Degas^{PLUS} in combination with a pump of the EMPII E60 series ensures an automatic degassing when metering an aerogenic medium. It is controlled by the pump software.

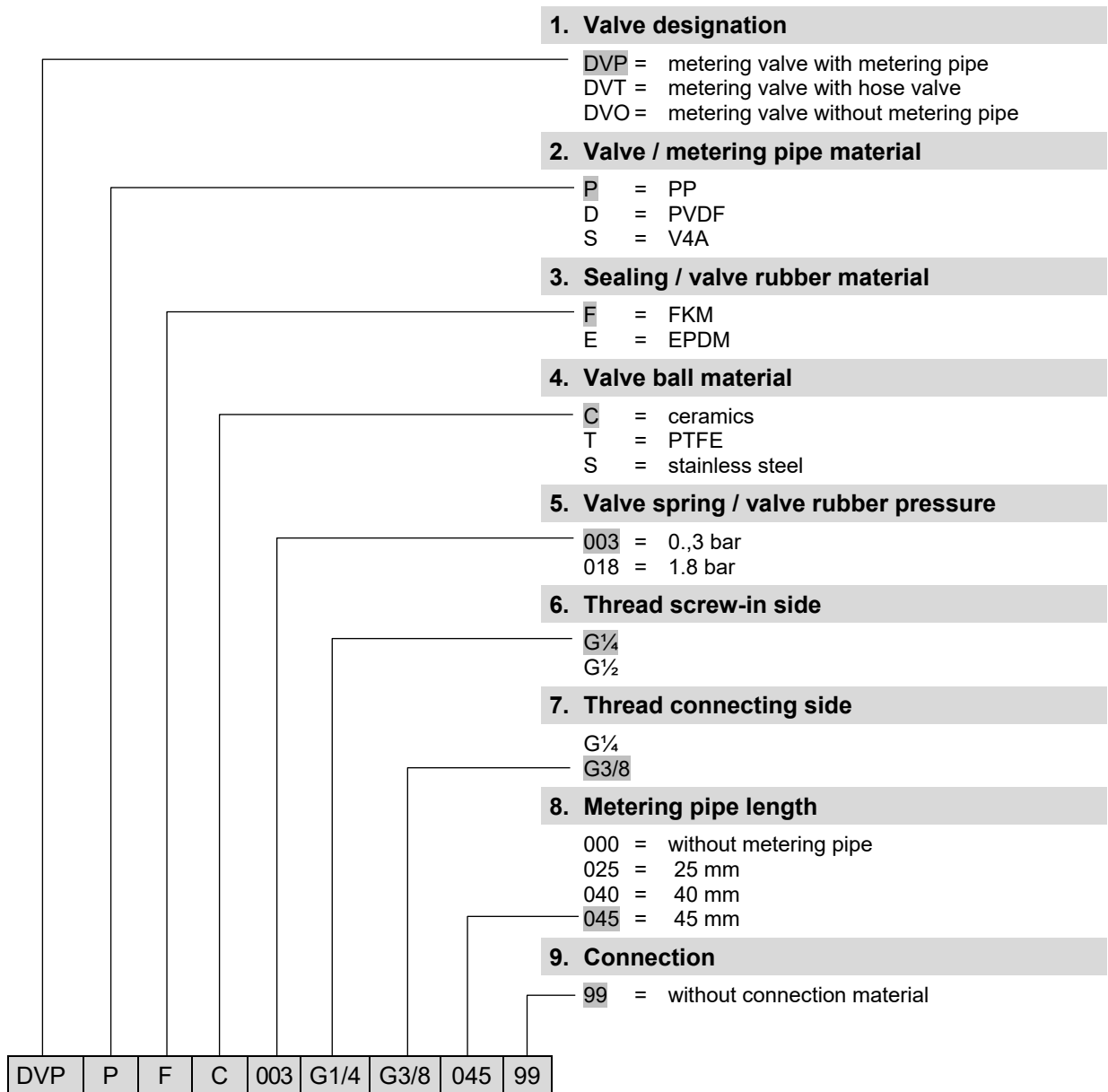


Degassing Valve (1)
Connection cable (2)

Article	Material No.
EGV PVFPKE100 G 3/8-G 3/8-21 230V50/60Hz	248638
EGV PVEPKE100 G 3/8-G 3/8-21 230V50/60Hz	248639
EGV PVFPKE100 G 3/8-G 3/8-21 115V50/60Hz	248642
EGV PVEPKE100 G 3/8-G 3/8-21 115V50/60Hz	248643
Connection cable Degas ^{PLUS} with shock-proof plug	248623



Metering valves



Article

Article no.

DVP PFC-003-G1/4-G3/8-045-99	252150
DVP PEC-003-G1/4-G3/8-045-99	252151
DVP DFC-003-G1/4-G3/8-045-99	252153
DVP DEC-003-G1/4-G3/8-045-99	252154
DVP PFC-003-G1/2-G3/8-045-99	252155
DVP PEC-003-G1/2-G3/8-045-99	252156
DVP DFC-003-G1/2-G3/8-045-99	252157
DVP DEC-003-G1/2-G3/8-045-99	252158

Note: Please order connection material for hose and pipe connection separately. Connection sets see page 20.



Article

Article no.

Metering valves with hose valve for chloric products

DVT PFC-018-G1/4-G3/8-025-99	252159
DVT PEC-018-G1/4-G3/8-025-99	252160
DVT DFC-018-G1/4-G3/8-025-99	252161
DVT DEC-018-G1/4-G3/8-025-99	252162
DVT PFC-018-G1/2-G3/8-040-99	252163
DVT PEC-018-G1/2-G3/8-040-99	252164
DVT DFC-018-G1/2-G3/8-040-99	252165
DVT DEC-018-G1/2-G3/8-040-99	252166

Note: Please order connection material for hose and pipe connection separately. Connection sets see page 20.



Hot-water metering area

consisting of:

Metering valve with metering pipe

DVM VA VA FP GL 004 G1/2 – G1/4 – 41	240153
--------------------------------------	--------

and

Cooling stretch

248411

stainless steel spiral-pipe da 8 mm
 with adapter and connection material for hose 4/6, 6/8
 and 6/12 mm (ID/AD)

Temperature resistance: max. 130° C



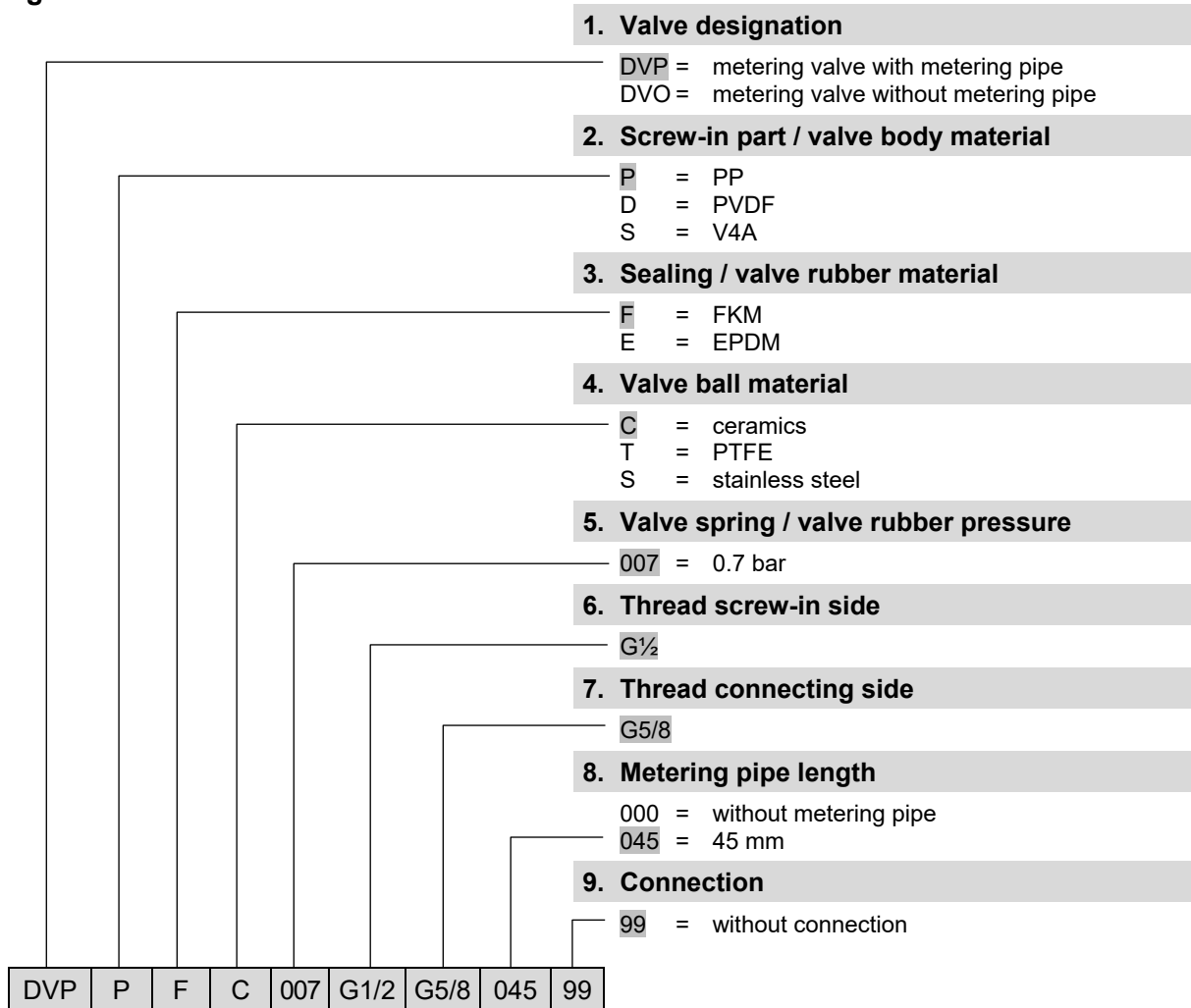
Connection material

Article	Article no.
Connection set for PE/PTFE hose 4/6 mm (only for 5 l/h)	
Connection set Di4/Da6-G3/8-PVDF-NA	252101
Connection set Di4/Da6-G3/8-PP-GY	252102
Connection set for PE/PTFE hose 5/8 mm	
Connection set Di5/Da8-G3/8-PVDF-NA	252103
Connection set Di5/Da8-G3/8-PP-GY	252104
Screw-on connection PP, G3/8 _i – DN5/8 [“]	41502356
Connection set for PE/PTFE hose 6/8 mm	
Connection set Di6/Da8-G3/8-PVDF-NA	252105
Connection set Di6/Da8-G3/8-PP-GY	252106
Connection set for PE/PTFE hose 1/4[“] / 3/8[“]	
Screw-on connection PP, G3/8 _i – DN 1/4 [“] / 3/8 [“]	415102350
Screw-on connection PVDF, G3/8 _i – DN 1/4 [“] / 3/8 [“]	415102304
Connection set for PE/PTFE hose 6/10 mm	
Screw-on connection PVDF, G3/8 _i - 6/10 mm	415102352
Connection set for PVC hose 6/12 mm	
Connection set Di6/Da12-G3/8-PVDF-NA	252107
Connection set Di6/Da12-G3/8-PP-GY	252108



Accessories for type 00240:

Metering valves



Article

Article no.

Metering valve with metering pipe

DVP PFC-007-G1/2-G5/8-045-99	252177
DVP PEC-007-G1/2-G5/8-045-99	252178
DVP DFC-007-G1/2-G5/8-045-99	252179
DVP DEC-007-G1/2-G5/8-045-99	252180

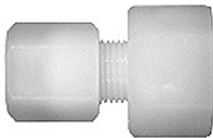
Metering valve without metering pipe

DVO PFC-007-G1/2-G5/8-000-99	252173
DVO PEC-007-G1/2-G5/8-000-99	252174
DVO DFC-007-G1/2-G5/8-000-99	252175
DVO DEC-007-G1/2-G5/8-000-99	252176

Note: Please order connection material for hose and pipe connection separately. Connection sets see page 22.

Connection material

Article	Article no.
Connection set for PE/PTFE hose 6/8 mm	
Connection set Di6/Da8-G5/8-PVDF-NA	252113
Connection set Di6/Da8-G5/8-PP-GY	252114
Connection set for PE/PTFE hose 6/10 mm	
Screw-on connection PVDF, G5/8 _i - 6/10 mm	415102353
Connection set for PE/PTFE hose 9/12 mm	
Connection set Di9/Da12-G5/8-PVDF-NA	252115
Connection set Di9/Da12-G5/8-PP-GY	252116
Connection set for PVC hose 6/12 mm	
Connection set Di6/Da12-G5/8-PVDF-NA	252117
Connection set Di6/Da12-G5/8-PP-GY	252118
Connection set for PVC hose 10/16 mm	
Connection set Di10/Da16-G5/8-PVDF-NA	252119
Connection set Di10/Da16-G5/8-PP-GY	252120
Screw-on connection for PEX pipe 8/12 mm	
Screw-on connection PVDF G5/8 _i - PEX 8/12	207714
Screw-on connection PP G5/8 _i - PEX 8/12	207724
Screw-on connection for PEX pipe 12/16 mm	
Screw-on connection PVDF G5/8 _i - PEX 12/16	207729
Screw-on connection PP G5/8 _i - PEX 12/16	207728
Connecting parts for pipe connection DN8/d12	
Union nut PVDF G5/8 _a	34500134
Insertion part (welded sleeve) PVDF DN8/d12 - 5/8 _a	34900196
Union nut PP G5/8 _a	34500228
Insertion part (welded sleeve) PP DN8/d12 - 5/8 _a	34900246
Connecting parts for transition to standard thread	
Screw-on connection PVDF G5/8 _i - 1/2 _a NPT	34900274
Screw-on connection PP G5/8 _i - 1/2 _a NPT	34900273



Suction and pressure lines

Article	Material-No.
available by the metre	
ID/AD	max. working pressure [bar] at 20° C



PVC-fabric 6/12 mm	16	417400123
--------------------	----	-----------

Note: We explicitly point out that PVC fabric tubes have a limited lifetime if alkaline chemicals will be used. To avoid damage for your staff and your company the tubes have to be exchanged at least every 6 months. In case of non-compliance we exclude all kinds of liability and responsibility.



PE hose 4/6 mm	12	417400301
PE hose 5/8 mm	13	417400300
PE hose 6/8 mm	8	417400310
PE hose 6/10 mm	15	417400302



PTFE hose 4/6 mm	12	417400215
PTFE hose 5/8 mm	14	417400213
PTFE hose 6/8 mm	9	417400224
PTFE hose 6/10 mm	15	417400216

Article

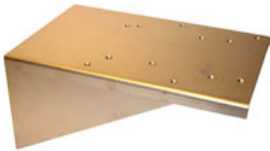
Material No.



Signal horn with integrated red flash light

418271053

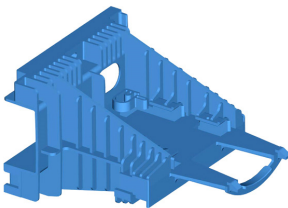
230 V / 50 Hz / IP 33 RO



Wall bracket

240606

made of stainless steel 1.4301
incl. of fastening material (dowels and screws)



Wall bracket (for type V3014 – 00043)

207002

made of thermoplastic polyester
incl. fastening screws and dowels

A number of consoles can be connected together
for mounting in a row.



Connection cable, 5 m length

for empty signal input with straight 4-pin plug

418439001

for pulse or current input with straight 5-pin plug

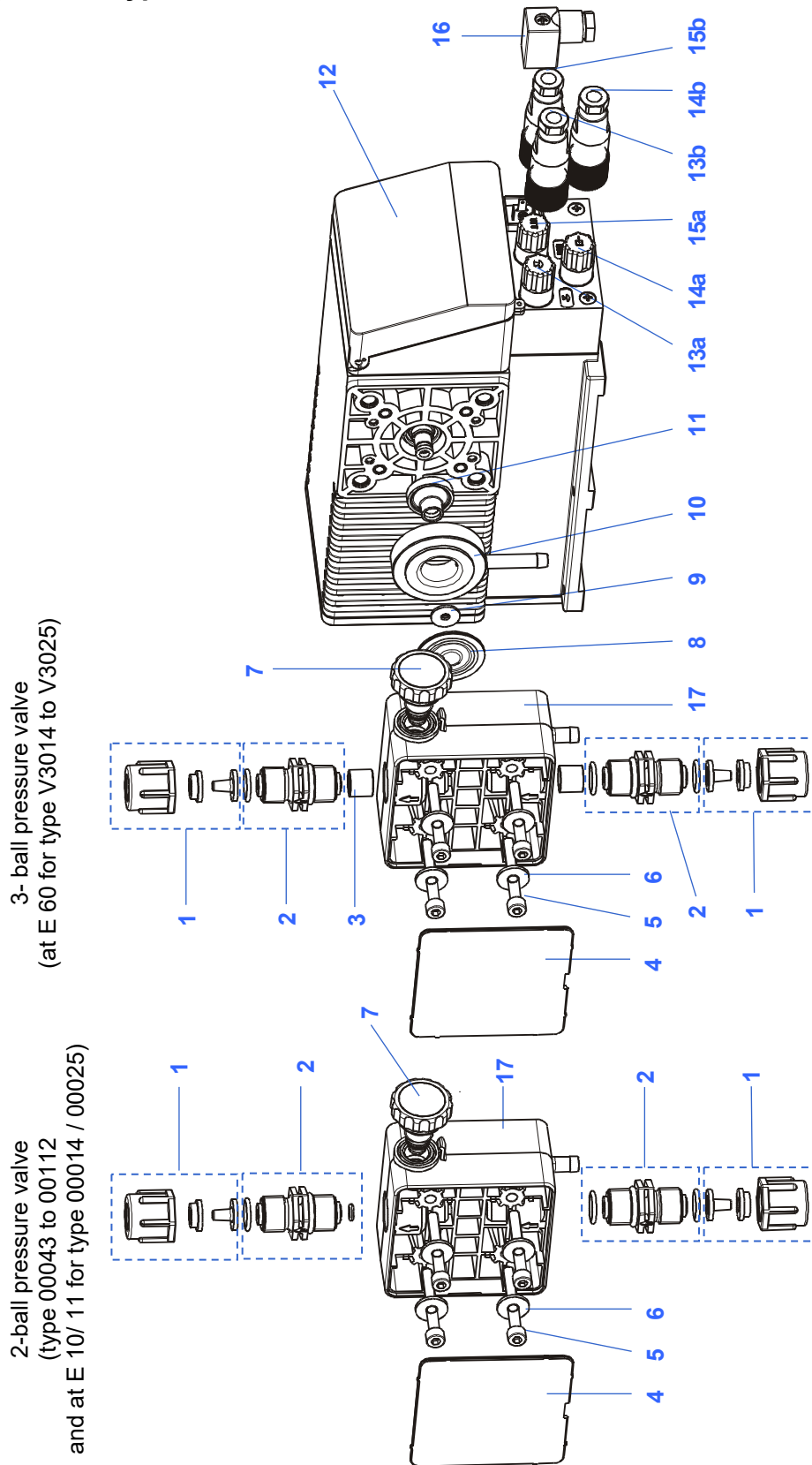
418439007

for empty signal or stroke signal output
with straight 4-pin plug

418439022



Spare parts for type V3014 – 00112:





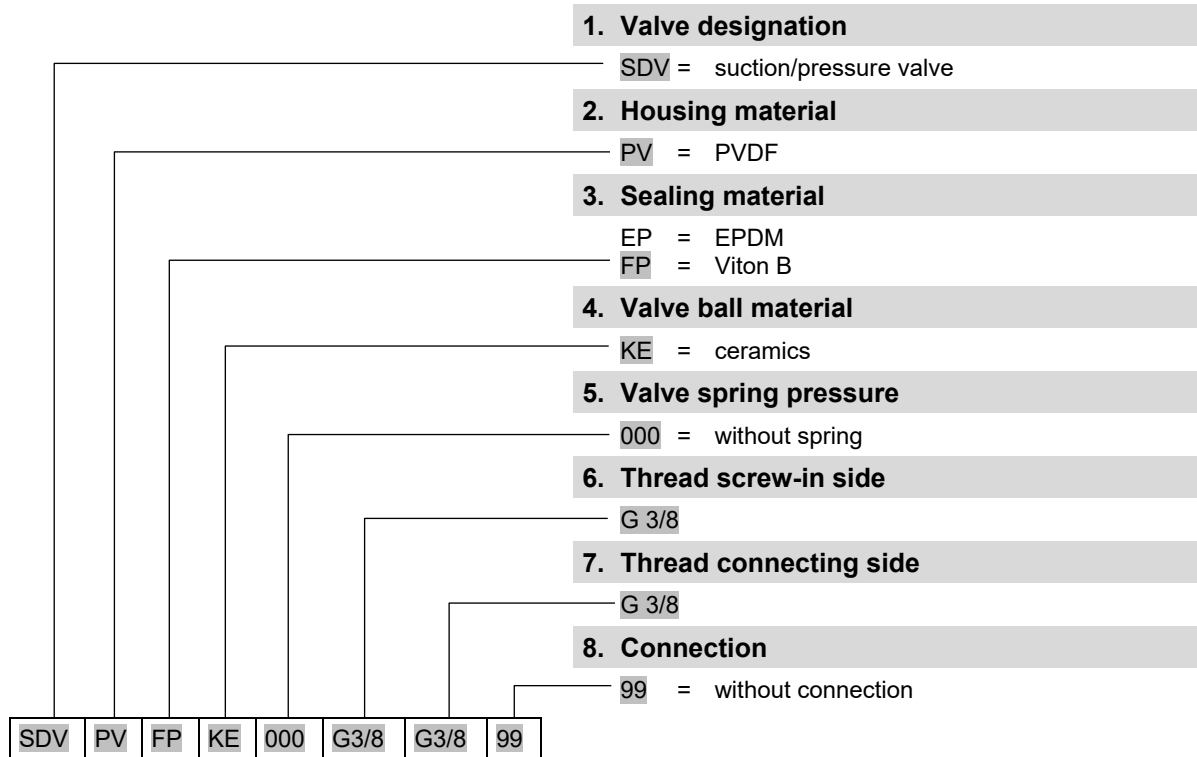
Pos	Article	Material-No.
1	Connection set PVDF for hose 3/8" - 4/6, 6/8, 6/12 mm (consisting of union nut, clamping pieces and tapered parts)	248491
2	Suction/pressure valve SDV PV FP KE 000 G3/8-G3/8-99* SDV PV EP KE 000 G3/8-G3/8-99*	248405 248406
3	Valve cartridge, V3 EMP II FP KE PV (for type V3014 and V3025) Valve cartridge, V3 EMP II EP KE PV (for type V3014 and V3025)	248432 248433
4	Cover plate	54000188
5	Hexagon socket screw, M 5 x 40, DIN 912, V2A	41303102 6
6	Washer, B15 x 5.3 x 1.6, DIN9021, ISO7093, V2A	41350172 0
7	Venting screw, PVDF/ VITON B Venting screw, PVDF/ EPDM	243077 243091
11	Bellow	34800132
12	Transparent enclosure cover	34800120
13a	Dummy plug, empty signal input	248186
14a	Cover cap, control output	34800117
15a	Dummy plug, control input	248187
13b	Plug 4-poles, empty signal input	41846311 5
14b	Plug 4-poles, control output	41846311 7
15b	Plug 5-poles, control input	41846311 8
16	Wiring outlet 3-poles	41846806 2

		type V3014	type V3025	type 00043 / 00048	type 00072	type 00112
8	Diaphragm	34800134	34800155	34800156	34800157	34800157
9	Supporting disk	34000158	--	34024302	34040110	34000145
10	Intermediate plate	34800133	34800150	34800151	34800152	34800152
17	Pump head PVDF	34800324	34800325	34020106	34020107	34020107

* Please see next page for code declaration.



Valve code

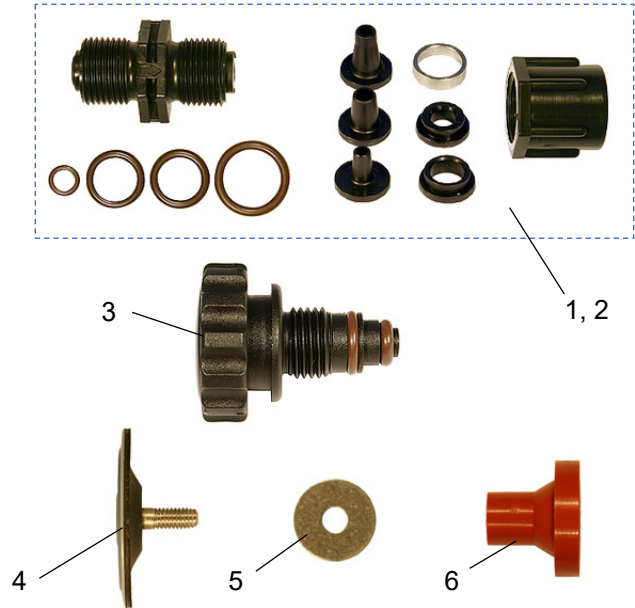




Set of wearing parts (complete)

consisting of 1 piece each:

- Suction valve with hose connection material (1)
- Pressure valve with hose connection material (2)
- Venting screw (3)
- Diaphragms (4)
- Supporting ring (5, excl. pump type V3025)
- Bellow (6)



Article	Code	Material-No.
Wearing part set	EMP II V3014 PV FP KE	248452
	EMP II V3025 PV FP KE	248453
	EMP II 00043/48 PV FP KE	248478
	EMP II 00072 PV FP KE	248479
	EMP II 00112 PV FP KE	248480
	EMP II V3014 PV EP KE	248458
	EMP II V3025 PV EP KE	248459
	EMP II 00043/48 PV EP KE	248488
	EMP II 00072 PV EP KE	248489
	EMP II 00112 PV EP KE	248490

1. Pump type (pump capacity)

- V3014 = 1.4 l/h
- V3025 = 2.5 l/h
- 00043/48 = 4.3 / 4.8 l/h
- 00072 = 7.2 l/h
- 00112 = 11.2 l/h

2. Valve material

- PV = PVDF

3. Sealing material

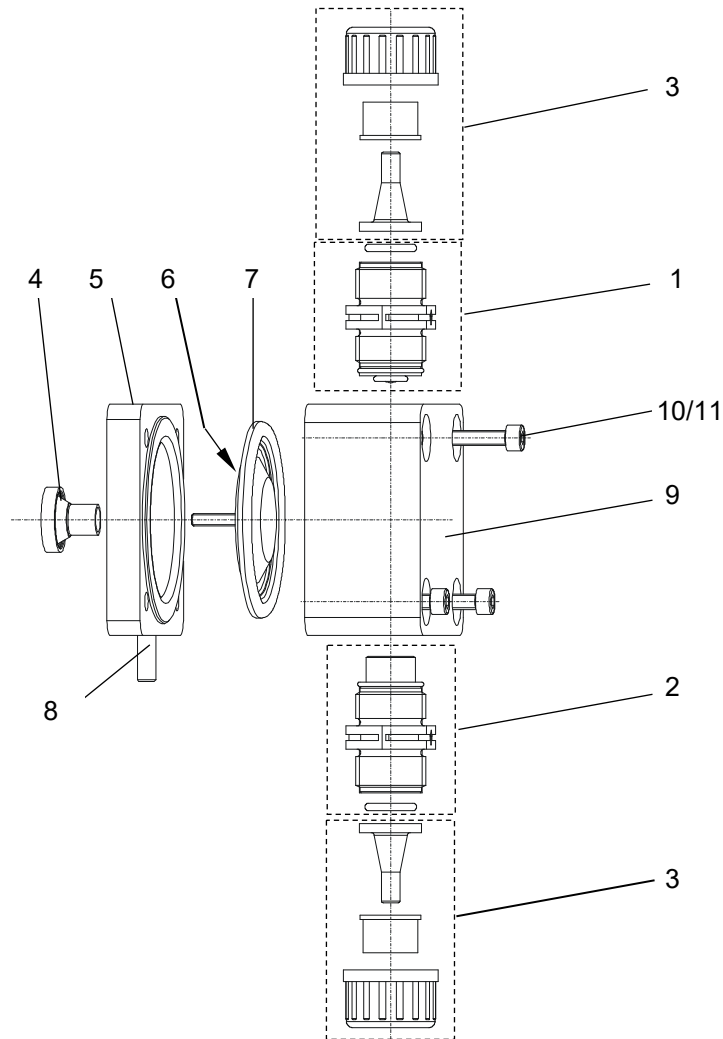
- FP = Viton B
- EP = EPDM

4. Valve ball material

- KE = ceramics

Wearing part set EMP II V3014 PV FP KE

Spare parts for type 00240

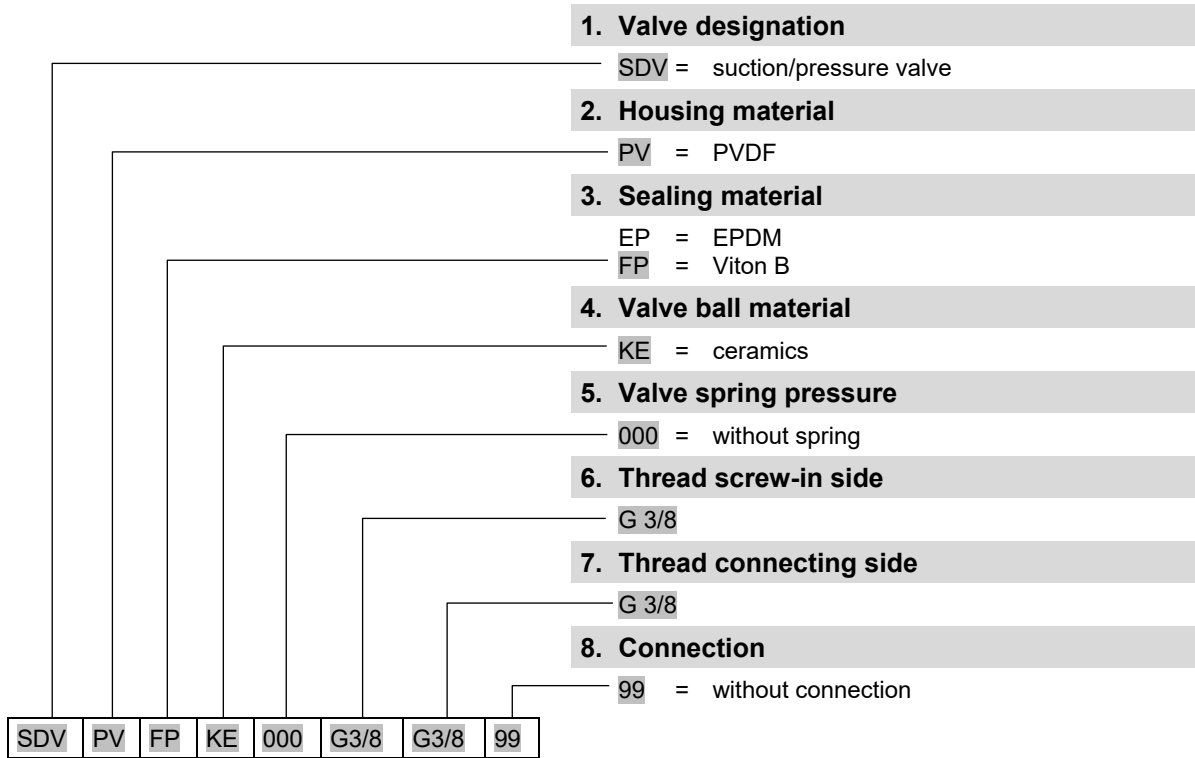


Item-No.	Description	Article-No.
1	Pressure valve, DRV PV FP KE 000 G 5/8-G 5/8-99* Pressure valve, DRV PV EP KE 000 G 5/8-G 5/8-99*	249494 249495
2	Suction valve, SAV PV FP KE 000 G 5/8-G 5/8-99* Suction valve, SAV PV EP KE 000 G 5/8-G 5/8-99*	249474 249475
3	Connection set PVDF G 5/8i for hose 6/12, 10/16	249216
4	Expansion bellows	34800132
5	Distance plate	34500207
6	Pressing plate	34500145
7	Diaphragm	34500209
8	Pipe section	34004207
9	PVDF pump head	34500129
10	Screw M5 x 20 (stainless steel)	413031027
11	Washer 5.3 (stainless steel)	413501720

* Please see next page for code declaration.



Valve code



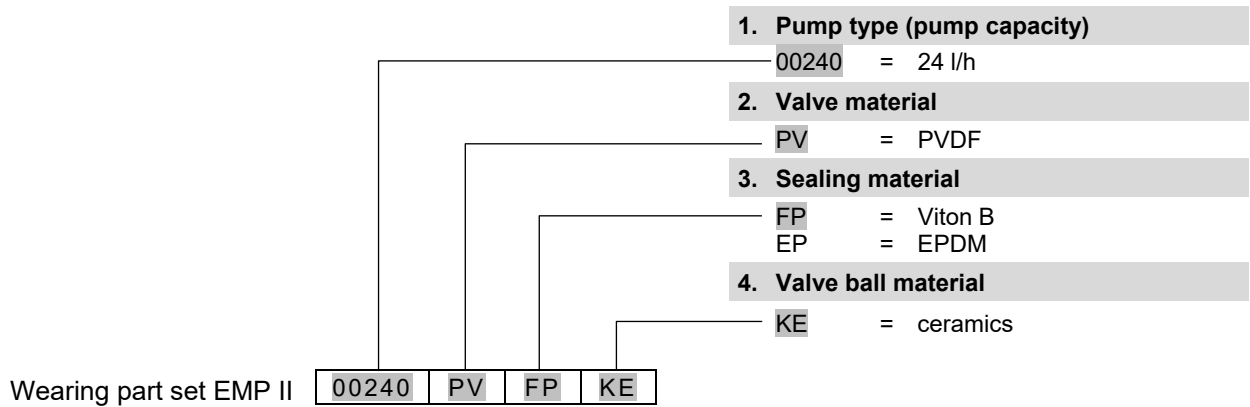


Set of wearing parts (complete)

consisting of 1 piece each:

- Suction valve with hose connection material
- Pressure valve with hose connection material
- Diaphragms
- Supporting ring

Article	Code	Material-No.
Wearing part set	EMP II 00240 PV FP KE	248454
	EMP II 00240 PV EP KE	248460



- Mechanical stroke adjustment
- Stroke frequency regulation
- Pulse control
- Pulse multiplication and division
- Pulse storage
- Standard signal drive
- Empty signal report and level pre-warning
- External metering stop
- Empty signal and stroke signal output



The ELADOS® EMP II series of metering pumps is based on the building block principle. Devices of this series comprise the drive unit, the gear, the metering pump head and the electronics. Different electronic control variants guarantee that the pump

may be adapted to any processing sequence for quantity or proportional metering. The scope of delivery is rounded off by practical accessories, so forming a complete range of equipment for all metering uses.

Note: The pump versions EMP II HP (High Pressure) V3014, V3025 and 00043 can be operated until a metering back pressure of 16 bar.

Technical Data:

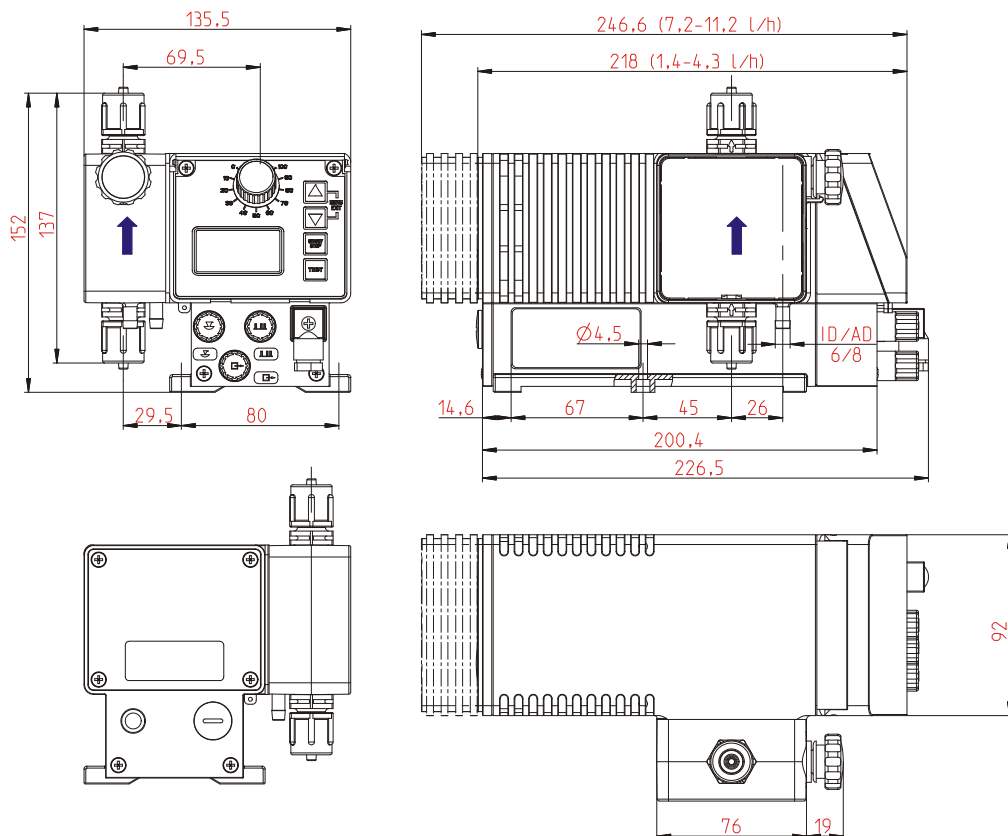
Pump type		V3014	V3025	00043
Pump capacity [l/h]		1.2	2.1	3.8
Metering back-pressure [bar]		16	16	16
Metering frequency max. [1/min]		122	122	122
Delivering capacity/stroke [cm ³]		0.16	0.29	0.52
Metering accuracy		< ± 3%		
Suction height		2 mWs, suction height with clean, slightly wet valves		
Power supply*		230 V / 50 Hz		
Current input max. [mA]	50 Hz 60 Hz	55/ 58	81/ 86	130/ 150
Power input max. [W]	50 Hz 60 Hz	12.5/ 13.2	18.7/ 19.8	30/ 34.5
Protective class		I		
Safety type		IP 65		
Ambient temperature max.		40° C		
Insulation class		B		

* At a mains frequency of 60 Hz delivery capacity increases by 20%, metering back-pressure decreases by 20%

Materials:

- Housing: thermoplastic polyester
- Pump head: PVDF
optional: polypropylene or stainless steel 1.4436
- Diaphragm: PTFE – EPDM compound diaphragm
- Seals: FPM 602 (Viton B)
optional: EPDM or Kalrez
- Valve balls: ceramics
optional: PTFE or stainless steel 1.4401
- Colour: blue RAL 5007

Dimensions:



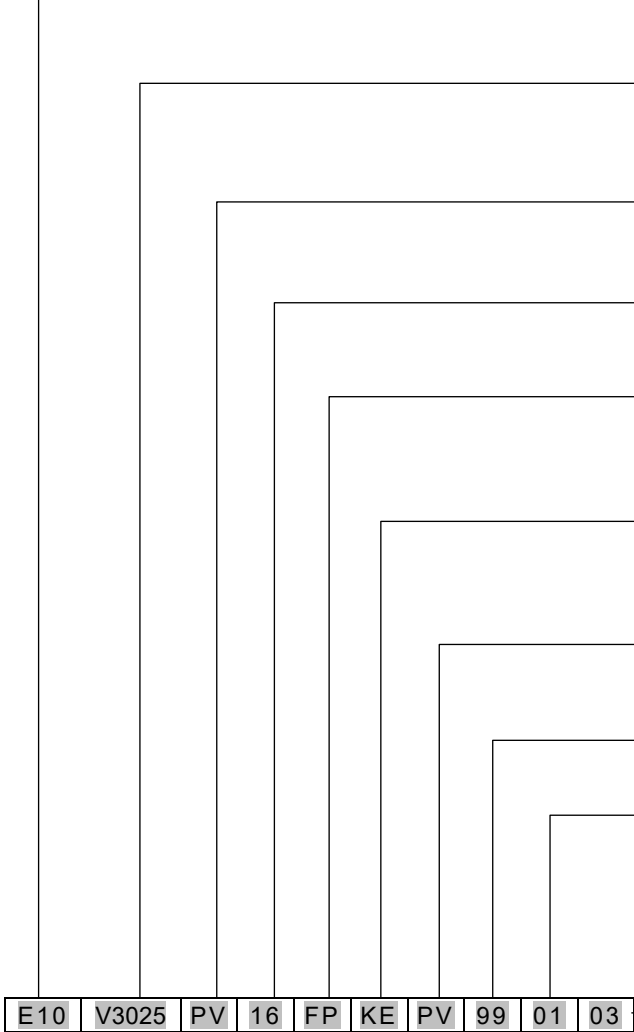


Pump code – part 1 (EMP II HP)

1. Electrical version (please see legend on page 6)

E 10 On / off switch, mechanical stroke adjustment

E 60...



2. Pump capacity 50 Hz [60 Hz]

V3014	=	1,2 l/h	[1.4 l/h]
V3025	=	2.1 l/h	[2.5 l/h]
00043	=	3.8 l/h	[4.5 l/h]

3. Pump material

PP	=	PP	
PV	=	PVDF	(standard)
VA	=	stainless steel	

4. Metering back pressure

16	=	16 bar	[12.8 bar]
----	---	--------	------------

5. Sealing material

EP	=	EPDM	
FP	=	Viton B	(standard)
KA	=	kalrez	

6. Valve ball material

VA	=	stainless steel	
KE	=	ceramics	(standard)
PT	=	teflon	

7. Valve material

PP	=	PP	
PV	=	PVDF	(standard)
VA	=	stainless steel	

8. Valve spring

99	=	without spring	(standard)
----	---	----------------	------------

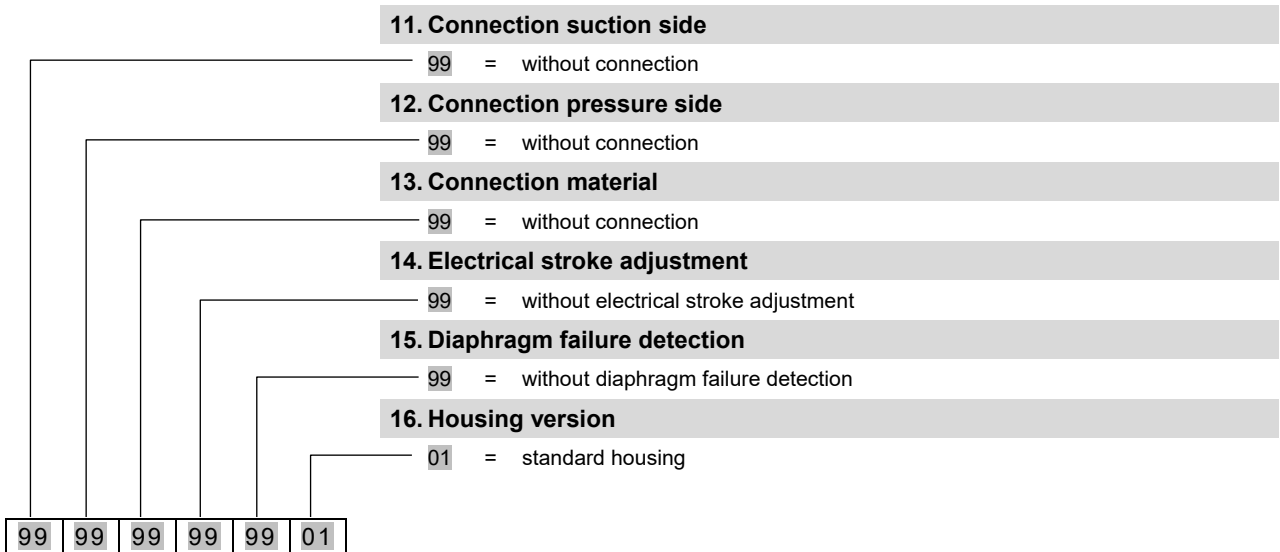
9. Mains supply

01	=	mains cable 2 m shock-proof plug (E10, 230 V)
02	=	mains cable 2 m end splices (E10, 115 V)
17	=	mains cable 2 m shock-proof plug (E60, 230 V)
21	=	mains cable 3 m end splices (E60, 115 V)

10. Power supply

01	=	115V / 50 Hz	
02	=	115V / 60 Hz	
03	=	230V / 50 Hz	(standard)
04	=	230V / 60 Hz	
07	=	24V / 50 Hz	

Pump code – part 2 (EMP II HP)



Example of a complete pump code of a EMP II HP pump:

E10	V3025	PV	16	FP	KE	PV	99	01	03	-	99	99	99	99	99	01
-----	-------	----	----	----	----	----	----	----	----	---	----	----	----	----	----	----

(Pump code part 1)

(Pump code part 2)

Note: For pump versions EMP II HP the hose connection material has to be ordered separately (see page 37).



Accessories:

Note: Accessories selection should be carried out in the following way:

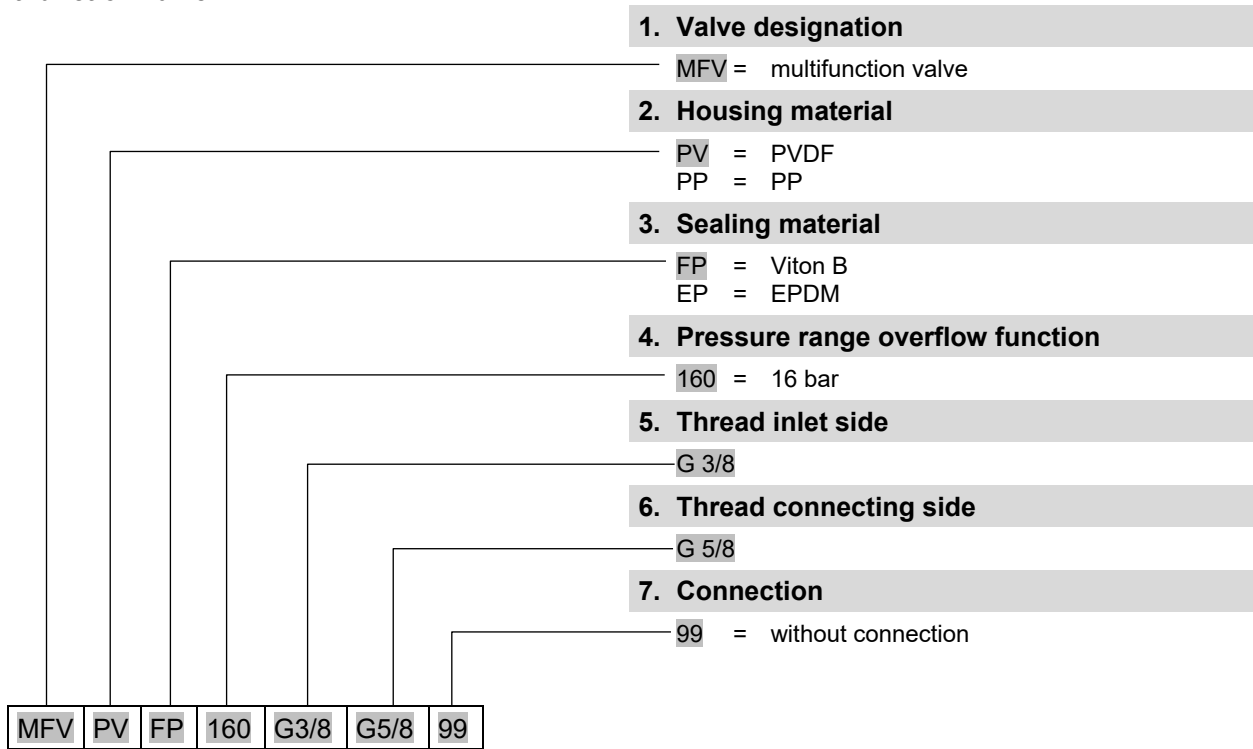
Accessories for the **suction side** can be selected from the standard versions (see page 9 – 14).

General accessories can be selected from the standard versions (see page 23/23)

Accessories for the **pressure side** have to be equipped with hose connection material which is suitable for high pressure. **This has to be ordered separately (see page 37).**

In case of multifunction valves and pressure hoses the accessories suitable for high pressure have to be used (see below).

Multifunction valve






This safety-relevant component serves the purpose of protecting the piping system and the metering pump and permits safe and reliable commissioning and maintenance of the system.

The multiple function valve combines all of the following functions: **overflow, pressure maintenance, venting and drainage**



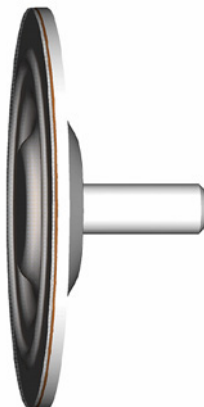
Article	Material-No.
MFV PV FP 160 G 3/8 – G 5/8 – 99	249292
MFV PV EP 160 G 3/8 – G 5/8 – 99	249294
MFV PP FP 160 G 3/8 – G 5/8 – 99	249293
MFV PP EP 160 G 3/8 – G 5/8 – 99	249295



	Article		Material-No.
	Suction and pressure lines (available by the metre)		
	(int.Ø / ext.Ø)	max. operating pressure [bar] at 20° C	
	PTFE hose 6/10 mm	16	417400216
	HD-PE hose 6/10 mm	16	417400302
	Connection material (pressure side)		
	Straight screw on connection PVDF G3/8"i		
	Connection 6/10		415102352

Spare parts / wearing parts:

Note: Spare parts for EMP II HP can be selected from the standard versions (see p. 25) with the exception of diaphragms.



	Diaphragm	
	PTFE coated	
	for pump type V3014	34800313
	for pump type V3025	34800314
	for pump type 00043	34800315
	Wearing parts set EMP II V3014 PV FP KE (16 bar)*	248455
	Wearing parts set EMP II V3025 PV FP KE (16 bar)*	248456
	Wearing parts set EMP II 00043/48 PV FP KE (16 bar)*	248457

*see legend on page [28](#)