

- Compact design
- High pressure load performance
- Metering quantity infinitely variable
- Self-venting
- Hollow chamber with silicone oil to avoid hardening of silicone



These valves are volumetric metering elements for the exact proportioning of low to high viscosity media of 1,000 to 1,000,000 mPas. They are suitable for the processing of monocomponent media, such as lipids, oils, colors, adhesives, sealants, silicones and more.

The valves are available in different sizes, and are therefore suitable for a metering range of 0.1 to 100 ml.

Technical data:

Metering volume	0.1 -3 ml	0.5 - 12 ml	5 - 100 ml
Product pressure	max. 150 bar/ min. 20 bar	max. 150 bar/ min. 20 bar	max. 150 bar/ min. 20 bar
Product valve DN	4 mm	8 mm	8 mm
Product inlet	R 1/8"i	R 1/4"i	R 1/4"i
Product outlet	R 1/8"i	R 1/4"i	R 1/4"i
Hollow chamber with silicone oil	R 1/8"i	R 1/8"i	R 1/8"i
Control air	R 1/8"i	R 1/8"i	R 1/8"i
Control pressure	5 - 8 bar	5 - 8 bar	5 - 8 bar
Weight	0.4 kg	1.6 kg	4.6 kg

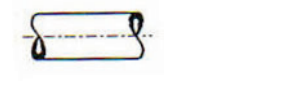
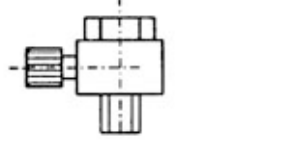


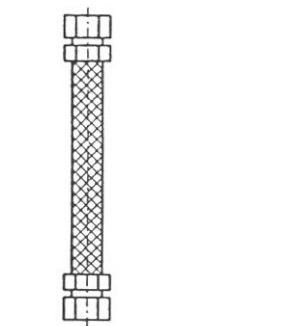

Dimensions:

On request; differ from one metering valve to the other.

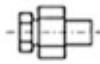
Ordering data:

Article/Nomenclature	Material no.
Metering valve, volumetric 0.1 - 3 ml	1...2780
Metering valve, volumetric 0.5 - 12 ml	J26-04
Metering valve, volumetric 5 - 100 ml	J26-05

Accessories:

	Article/Nomenclature	Material no.
	Compressed air hose Ø 4/6 mm material: blue PE	417400352
	Swivel screw connection R 1/8" Ø 4/6 mm	415100894
	Double nipple R 1/4" material: V2A	415203650
	Reducing nipple R 1/4" - R 3/8" Conical seal, material: V2A	
	High pressure hose DN 6 for lipids, union nut R 1/4" on both ends, 400 bar	J22-01
	High pressure hose DN 6 encased in PTFE - VA, union nut R 1/4" on both ends, 240 bar	J22-02
	High pressure hose DN 10 for lipids, union nut R 3/8" on both ends, 350 bar	J22-03
	High pressure hose DN 10 encased in PTFE-VA, union nut R 3/8" on both ends, 175 bar	J22-04
	Grab handle piece, electric Adaptor plate is required in addition	1...6260 on request
	Grab handle piece, pneumatic Adaptor plate is required in addition	1...9064 on request

Accessories:



Article/Nomenclature

Material no.

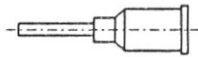
Hollow needle connection for metering valves 0.1
- 3 ml, R 1/8"

415705039

Hollow needle connection for metering valves 0.5
- 12 ml and 5 - 100 ml, R 1/4"

415705040

VA needles:



Pieces	int. Ø	ext. Ø	Type	
12	0.54	0.9	2708 054	415705031
12	0.78	1.2	2708 078	415705032
12	0.98	1.5	2708 098	415705033
12	1.24	1.8	2708 124	415705034
12	1.48	2.1	2708 148	415705035
12	1.80	2.5	2708 180	415705036
12	2.4	3.2	2708 240	415705037
7 assorted	1 each		2708 250	415705038