

DC motors



G-motion

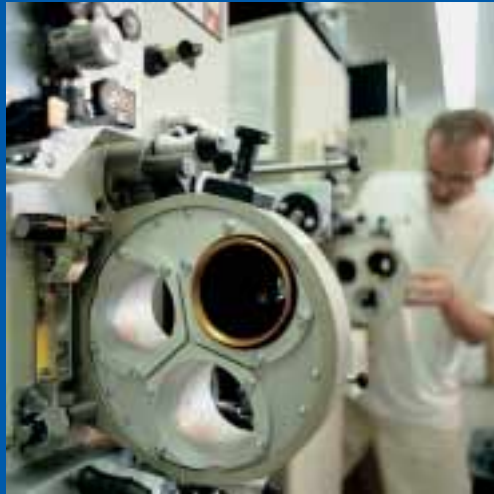


Lenze

No matter which drive solution you imagine, we make your dreams come true.

True to our slogan (one stop shopping) we offer you a complete programme of electronic and mechanical drive systems which is distinguished by reliability and efficiency.

The scope of our programme includes frequency inverters, servo controllers, variable-speed drives, speed reduction gearboxes, motors, brakes, clutches, decentralised I/O and operator and display units.



Many well-known companies use Lenze products in various applications.

Product key | for electrical machines

XXXXXX	XXXX	XXXX	XX
Product group			
M Motor			
Current			
D = Three-phase current			
E = AC single phase current			
G = DC current			
U = Universal motor			
Cooling/ventilation			
F = External ventilation			
E = Self-ventilation (speed-dependent)			
S = Natural ventilation (no ventilation)			
Design/enclosure			
G = Smooth, round enclosure			
Q = Smooth, square enclosure			
R = Ribbed, round enclosure			
V = Ribbed, square (oval) enclosure			
E = Explosion-proof			
Machine type			
U = Uncompensated			
K = Compensated			
E = Increased safety (Ex) e			
P = Permanent magnet motor			
A = Asynchronous			
S = Synchronous			
D = Explosion-proof (Ex) d			
F = Explosion-proof (Ex) p			
Mountings			
TA = Tacho, analog signal source			
BR = Brake			
RS = Resolver			
IG = Incremental encoder (pulse encoder)			
AG = Absolute value encoder			
BS = Brake + resolver			
BT = Brake + tacho			
BA = Brake + absolute value encoder			
BI = Brake + incremental encoder			
BU = Brake, tacho and pulse encoder			
TI = Tacho and pulse encoder			
XX = no mountings			
Size			
Shaft height in mountings			
B 3 032 – 400 according to LHM 7.00 01 03			
Length according to LHM 7.00 00 15			
0 = VS very short			
1 = S short			
2 = M middle			
3 = L long			
4 = VL very long			
Pole pairs			
1 = p = 1 (2p = 2- 2-pole)			
2 = p = 2 (2p = 4- 4-pole)			
3 = p = 3 (2p = 6- 6-pole)			
9 = p = 9 (2p = 18- 18-pole)			

DC motors | compact with high power reserves

Lenze DC motors characteristically offer high performance together with exceptionally smooth running characteristics across a wide speed and torque setting range. They can be controlled with exceptional accuracy using our cost-effective DC speed controllers, and achieve speed control ranges > 1:1000 even in reversing duty – as well as with high starting currents – when used for example as a winder.

Reliable low-noise cooling systems and correspondingly designed commutation systems offer the ideal basis for the high power reserves

which are required, for example, in dynamic positioning applications. The DC motors in the power band up to 90 kW and above are available as a modular system with various enclosures. Depending on the application, these motors can be combined with the optimum gearboxes, brakes or feedback systems. The design of the motors ensures long service life with minimal maintenance requirements and therefore represents an efficient and cost-effective choice of drive.



Lenze | An introduction

Lenze is the competent partner for your application. Lenze is not only a supplier for single components but also offers solutions for complete drive systems including planning, execution and commissioning.

Furthermore, a worldwide service and distribution network lets you engage a qualified customer advisory service and an after sales service that is fast and extensive.

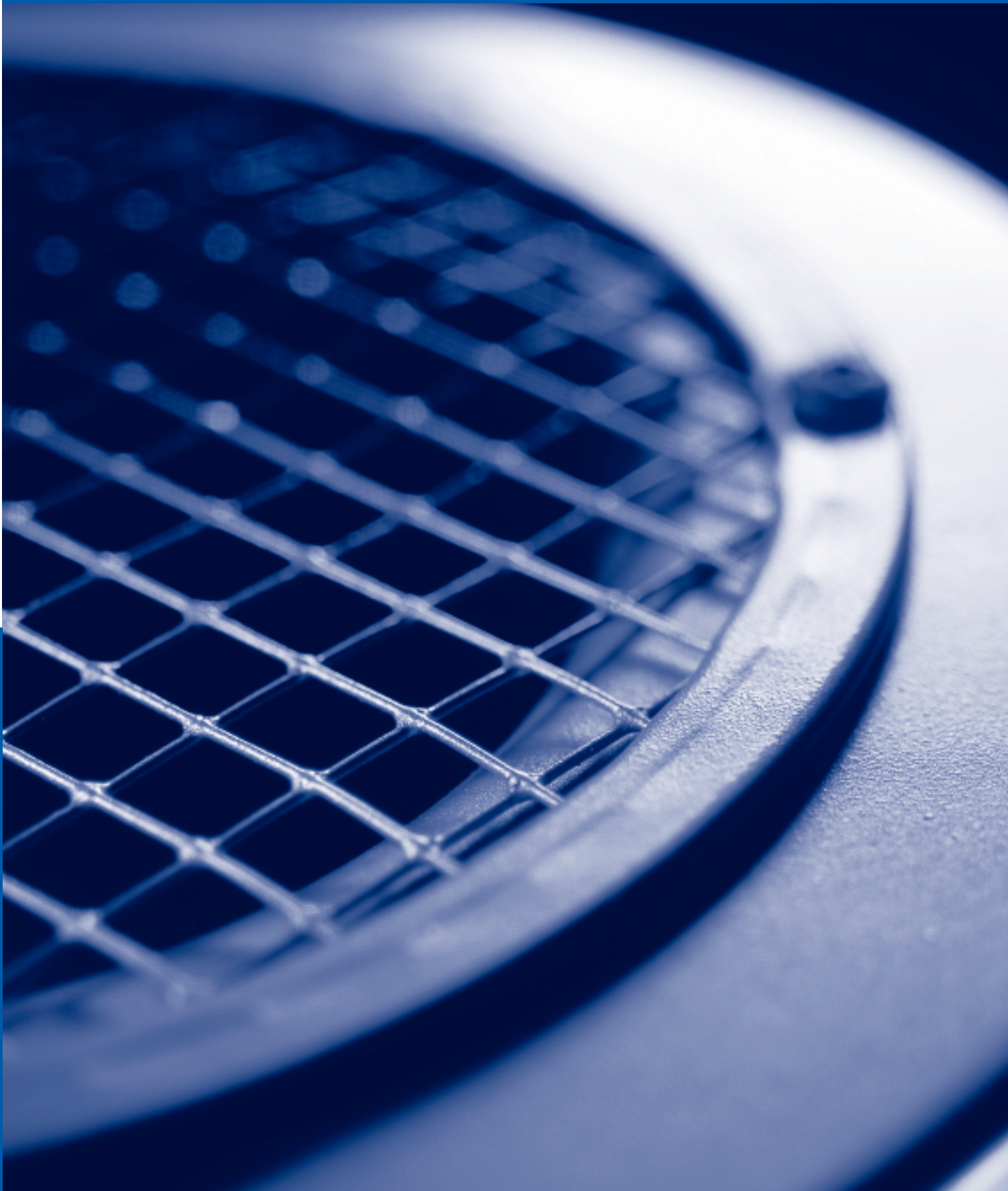
Our quality assurance system for design, production, sales and service is certified according to DIN ISO 9001 : 2000. Our environmental management system is also certified to DIN EN ISO 14001.

Our customers set the standards for measuring the quality of our products. Our task is to meet your requirements, since customer orientation is a Lenze principle demanding the best quality.

See for yourself.



A worldwide service –
Our team of experts provides reliable and
professional assistance.



Contents | DC motors

Motor features

MGFRK/MGFQU/MGFQK series	8
--------------------------	---

DC motors IP54, IP55

Technical Information MGFRK series	11
Technical data MGFRK series	12
Dimensions MGFRK series	17

DC motors IP23s, IP43s, IPR44

Technical Information MGFQU/MGFQK series	21
Technical data MGFQU series	22
Technical data MGFQK series	28
Dimensions MGFQU/MGFQK series	32

Lenze worldwide

	36
--	----

MGFRK/MGFQU/MGFQK series

Insulation and impregnation

All motors are of temperature class F (permissible permanent temperature 155 °C) and are provided with a special impregnation of the windings.

Temperature monitoring

A normally closed bimetal switch that reacts at 155 °C is fitted as standard to all motors of the MGFRK, MGFQU and MGFQK series. Thermistors may also be fitted. This does, however, not ensure thermistor-type motor protection. Air flow monitors may be fitted to external radial blowers of the MGFQU and MGFQK series.

Fitting brakes and actual value encoders

On request, we can fit Lenze spring-operated brakes. As a standard we can also fit the following tachogenerators:

- ▶ Three-phase AC hollow shaft tachogenerator TD 3-30 V/1000 min-1;
- ▶ DC hollow shaft tachogenerator GT (GTF) 7.08 L/420 - 20 V/1000 min-1;
- ▶ Resolver
- ▶ Hollow shaft pulse encoder ITD 21

Ambient temperature T_K and the influence on the rated power

Without special measures, temperatures between -20 °C and +40 °C are permissible.

T_K (°C)	30	40	45	50	55	60
P/P_N (%)	117	100	95	90	83	77

for MGFQK 160 / MGFQU 160

T_K (°C)	25	40	45	50	55	60
P/P_N (%)	100	83	78	74	68	64

Influence of the altitude h on the rated power

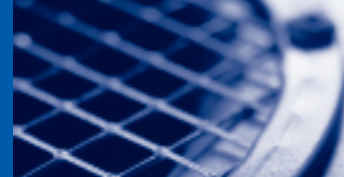
h (amsl)	1000	2000	3000	4000	5000
P/P_N (%)	100	92	83	77	67

Rated powers

The rated powers shown in the table are based on a form factor $FF = 1.05$.

For higher form factors, the output must be reduced. If a standard separately driven fan is fitted, a constant torque may be obtained to almost standstill. The maximum permissible load period under rated current during standstill is 30 s for the MGFRK series and 10 s for the MGFQU/MGFQK series.





MGFRK/MGFQU/MGFQK series

Field weakening

A field weakening range of 1:3 for MGFRK and MGFQK motors, and of 1:1.2–1:1.5 for MGFQU motors is generally possible with constant power. For mechanical reasons, however, the overspeed test speed must not be exceeded. Special designs for higher speeds and field weakening ranges can be provided.

Radio interference suppression

Radio interference suppression of the machine is almost ensured due to the symmetrically arranged auxiliary commutator windings and the spark-free commutation. Special measures can be taken to meet higher requirements.

Balancing

Balancing is done by half keys to DIN/ISO 8821 to vibration level "N" according to VDE 0530 T14. Level "S" is possible on request. The shaft end and the key correspond to DIN 748 and IEC recommendation 72.

Noise level

The noise level L_A , as per DIN 45635 rating curve A, is below the admissible noise level as per DIN 57530/VDE 0530.

Overload capacity

Over a range of up to 3 times the nominal current, the motors of the MGFRK and MGFQK series provided with a compensating winding keep to exact proportionality between current and torque. In this range, overload is always possible if the effective value of the overall current is not exceeded. Motors of the MGFQU series can provide 1.6 times the nominal torque for approx. 20 s. The current then increases to approximately $2 \times I_N$.

Terminal box position

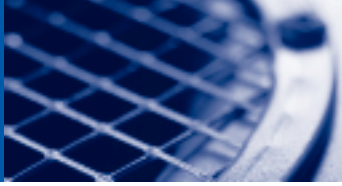
The standard terminal box position is "right" for the MGFRK series; "top" for the MGFQU and MGFQK series for the sizes 063-32 to 132-32, and "right" for the sizes 160-22 when viewed from the output shaft end.

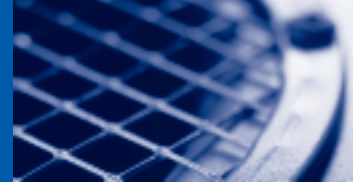
Mountings

Standard for the MGFRK series are mountings IMB 3, IMB 5 and IMB 14, for the MGFQU and MGFQK series mountings IMB 35 or IMB 34 to DIN IEC 34 T7. Other mountings are possible. The ball bearings are rated for at least 20,000 operating hours under nominal load conditions. In the basic design, the motors are equipped with permanently greased ball bearings. For high radial shaft loads, cylindrical roller bearings are provided on the output side.

Pg screwings

Motor type	Motor terminal box		Fan terminal box	
	Quantity and dimension	max. cable \varnothing [mm]	Quantity and dimension	max. cable \varnothing [mm]
MGFRK 090-22 MGFRK 100-22 MGFRK 112-22	2xM25	16	1xM16	9
MGFRK 132-22 MGFRK 160-22	2xM40 / 2xM16	27 / 9		
MGFQK 063-32 MGFRU 080-22	2xM25	16	1xP _g 9	8
MGFQU 100-22 MGFQK 100-32 MGFQU 112-22	1xM40 / 1xM20 / 1xM16	27 / 13 / 9		
MGFQU 132-22	1xM50 / 1xM20 / 1xM16	35 / 13 / 9		
MGFQU/MGFQK 160-22 MGFQU/MGFQK 160-32	4xM40 / 2xM25	27 / 16	1xP _g 16	15





MGFRK series

Technical information

The DC motors of the MGFRK series represent the most modern motor construction, including: fully laminated stators and rotors allowing high speeds of current alternation with low losses and heat generation. Four-pole design with skewed armatures and many commutator segments ensures high torque and smooth running, down to near standstill. Compensating windings ensure low field distortion and excellent spark-free commutation together with the commutating poles. This is also true for high overload current ($3 \times I_N$) and bad form factors when used with DC controllers, which ensure long life of the brushes. Mechanically, the motors consist of components for standard three-phase AC motors, enclosure IP 54.

The mounting dimensions to IEC 72 as well as DIN 42673 and DIN 42677 standards allow a direct connection with helical, worm and helical worm gearboxes of the Lenze product range and of other suppliers. The standard motor types MGFRK 090-160 are of enclosure IP 54, they are axially cooled temperature class F motors (enamelled wire quality corresponds to temperature class "H" which increases life) and have a normally closed thermal bimetal contact. Due to our modular design, many options can be provided. These comprise AC and DC tachogenerators, incremental encoders and brakes as well as combinations of these.



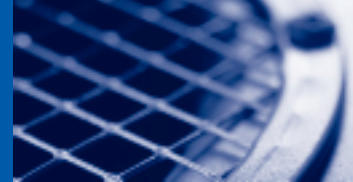
MGFRKBT 090-22 with brake and tachogenerator

MGFRK 090-22

Technical data

Data refers to: – Form factor – Enclosure – Cooling (forced ventilation) – Continuous operation – Insulation class	$F_F = 1.05$ IP 54 IC 0541 S1 F
Total weight Inertia	$m = 21 \text{ kg}$ $J = 0.004 \text{ kgm}^2$
Field excitation	$U_F = 210 \text{ V } I_F = 0.60 \text{ A}$ $U_F = 360 \text{ V } I_F = 0.32 \text{ A}$
A-side bearing B-side bearing	6205-2RSR-C3 6205-2RSR-C3
Carbon brushes	a) 6.3 x 12.5 x 20
Permissible shaft load for $L/2$ and n_N – reinforced bearing	$F_r = 780 \text{ N}$ $F_a = 440 \text{ N}$ $F_{rr} = 2100 \text{ N}$
Fan variant	220-240 V, 50-60 Hz, 0.22 A 380-460 V, 50-60 Hz, 0.12 A
Cooling variant	IC 0641/0741
Cooling air volume Pressure drop	75 m ³ /h 36 Pa

P kW	Speed n at voltage				n_F	n_{Mech}	M Nm	I_{AN} A	I_{Amax} A	L_A mH	R_a 125° Ω	Carbon brushes	
	170 V	280 V	420 V	460 V								Quantity	Variant
0.33	–	550	–	–	1650	4500	5.5	2.3	7	156.2	54.38	4	a
0.65	–	–	1100	–	3300	4500	5.5	2.3	7	156.2	54.38	4	a
0.7	–	–	–	1250	3750	4500	5.5	2.3	7	156.2	54.38	4	a
0.2	350	–	–	–	1050	4500	5.6	3.0	9	99.5	34.95	4	a
0.5	–	800	–	–	2400	4500	5.6	3.0	9	99.5	34.95	4	a
0.9	–	–	1500	–	4500	4500	5.6	3.0	9	99.5	34.95	4	a
1.0	–	–	–	1650	4500	4500	5.6	3.0	9	99.5	34.95	4	a
0.27	480	–	–	–	1450	4500	5.7	3.5	10	70.5	23.35	4	a
0.6	–	1100	–	–	3300	4500	5.6	3.5	10	70.5	23.35	4	a
1.1	–	–	1900	–	4500	4500	5.5	3.5	10	70.5	23.35	4	a
1.2	–	–	–	2100	4500	4500	5.5	3.5	10	70.5	23.35	4	a
0.4	650	–	–	–	1950	4500	5.7	4.4	13	46.6	16.05	4	a
0.85	–	1450	–	–	4350	4500	5.7	4.4	13	46.6	16.05	4	a
1.4	–	–	2400	–	4500	4500	5.6	4.4	13	46.6	16.05	4	a
1.6	–	–	–	2700	4500	4500	5.6	4.4	13	46.6	16.05	4	a
0.5	870	–	–	–	2600	4500	5.9	5.3	16	33.2	11.52	4	a
1.1	–	1800	–	–	4500	4500	5.8	5.3	16	33.2	11.52	4	a
1.8	–	–	2950	–	4500	4500	5.7	5.3	16	33.2	11.52	4	a
2.0	–	–	–	3300	4500	4500	5.7	5.3	16	33.2	11.52	4	a
1.0	1650	–	–	–	4500	4500	5.8	8.3	25	14.1	4.53	4	a
1.8	–	3050	–	–	4500	4500	5.7	8.3	25	14.1	4.53	4	a
1.9	3250	–	–	–	4500	4500	5.7	14.5	44	4.6	1.48	4	a



MGFRK 100-22

Technical data

Data refers to: – Form factor – Enclosure – Cooling (forced ventilation) – Continuous operation – Insulation class	F _F = 1.05 IP 54 IC 0541 S1 F
Total weight Inertia	m = 28 kg J = 0.0061 kgm ²
Field excitation	U _F = 210 V I _F = 0.70 A U _F = 360 V I _F = 0.37 A
A-side bearing B-side bearing	6306-2RSR-C3 6206-2RSR-C3
Carbon brushes	a) 8 x 12.5 x 20
Permissible shaft load for L/2 and n _N – reinforced bearing	F _r = 1000 N F _a = 500 N F _{rr} = 2700 N
Fan variant	220-240 V, 50-60 Hz, 0.16 A 380-460 V, 50-60 Hz, 0.06 A
Cooling variant	IC 0641/0741
Cooling air volume Pressure drop	105 m ³ /h 41.4 Pa

P kW	Speed n at voltage				n _F	n _{Mech}	M Nm	I _{AN} A	I _{Amax} A	L _A mH	R _a 125° Ω	Carbon brushes	
	170 V	280 V	420 V	460 V								Quantity	Variant
0.5	–	530	–	–	1600	4500	8.6	2.8	9	143.7	35.09	4	a
0.85	–	–	940	–	2800	4500	8.6	2.8	9	143.7	35.09	4	a
0.95	–	–	–	1050	3150	4500	8.6	2.8	9	143.7	35.09	4	a
0.35	350	–	–	–	1050	4500	8.7	3.7	12	80.8	19.6	4	a
0.7	–	800	–	–	2400	4500	8.5	3.7	12	80.8	19.6	4	a
1.2	–	–	1400	–	4050	4500	8.4	3.7	12	80.8	19.6	4	a
1.35	–	–	–	1550	4500	4500	8.4	3.7	12	80.8	19.6	4	a
0.55	600	–	–	–	1800	4500	8.5	5.0	15	43.8	10.7	4	a
1.1	–	1200	–	–	3600	4500	8.4	5.0	15	43.8	10.7	4	a
1.7	–	–	1900	–	4500	4500	8.2	5.0	15	43.8	10.7	4	a
1.9	–	–	–	2150	4500	4500	8.2	5.0	15	43.8	10.7	4	a
0.7	800	–	–	–	2400	4500	8.3	6.0	18	29.3	6.91	4	a
1.3	–	1500	–	–	4500	4500	8.2	6.0	18	29.3	6.91	4	a
2.1	–	–	2400	–	4500	4500	8.1	6.0	18	29.3	6.91	4	a
2.3	–	–	–	2700	4500	4500	8.1	6.0	18	29.3	6.91	4	a
0.85	900	–	–	–	2700	4500	8.6	7.0	21	22.6	5.7	4	a
1.5	–	1700	–	–	4500	4500	8.4	7.0	21	22.6	5.7	4	a
2.4	–	–	2750	–	4500	4500	8.3	7.0	21	22.6	5.7	4	a
2.7	–	–	–	3100	4500	4500	8.3	7.0	21	22.6	5.7	4	a
1.0	1100	–	–	–	3300	4500	8.4	7.9	24	17.7	4.25	4	a
1.85	–	2100	–	–	4500	4500	8.4	7.9	24	17.7	4.25	4	a
2.9	–	–	3300	–	4500	4500	8.3	7.9	24	17.7	4.25	4	a
3.1	–	–	–	3600	4500	4500	8.3	7.9	24	17.7	4.25	4	a
1.6	1800	–	–	–	4500	4500	8.9	12.3	36	7.7	1.84	4	a
2.85	–	3200	–	–	4500	4500	8.6	12.3	36	7.7	1.84	4	a
2.7	3000	–	–	–	4500	4500	8.6	18.6	56	3.2	0.755	4	a

DC motors

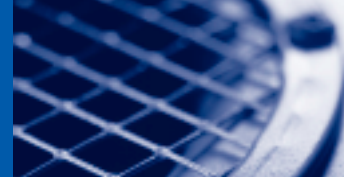
IP44, IP54, IP55

MGFRK 112-22

Technical data

Data refers to: – Form factor – Enclosure – Cooling (forced ventilation) – Continuous operation – Insulation class	F _F = 1.05 IP 54 IC 0541 S1 F
Total weight Inertia	m = 40 kg J = 0.0142 kgm ²
Field excitation	U _F = 210 V I _F = 1.1 A U _F = 360 V I _F = 0.6 A
A-side bearing B-side bearing	6306-2RSR-C3 6206-2RSR-C3
Carbon brushes	a) 8 x 12.5 x 20 b) 8 x 10.0 x 20
Permissible shaft load for L/2 and n _N – reinforced bearing	F _r = 1500 N F _a = 500 N F _{rr} = 2800 N
Fan variant	220-240 V, 50-60 Hz, 0.30 A 380-460 V, 50-60 Hz, 0.15 A
Cooling variant	IC 0641/0741
Cooling air volume Pressure drop	150 m ³ /h 48 Pa

P kW	Speed n at voltage				n _F	n _{Mech}	M Nm	I _{AN} A	I _{Amax} A	L _A mH	R _a 125° Ω	Carbon brushes	
	170 V	280 V	420 V	460 V								Quantity	Variant
1.1 1.3	– –	– –	750 –	– 850	2250 2550	4500 4500	15.0 15.0	3.7 3.7	11 11	179.8 179.8	26.55 26.55	4 4	a a
0.6 1.2 2.0 2.2	390 – – –	– 800 – –	– – 1300 –	– – – 1450	1200 2400 3900 4350	4500 4500 4500 4500	14.9 14.6 14.5 14.5	5.9 5.9 5.9 5.9	17 17 17 17	71.1 71.1 71.1 71.1	10.4 10.4 10.4 10.4	4 4 4 4	a a a a
0.8 1.6 2.5 2.8	500 – – –	– 1000 – –	– – 1600 –	– – – 1800	1500 3000 4500 4500	4500 4500 4500 4500	15.0 14.9 14.7 14.6	7.2 7.2 7.2 7.2	22 22 22 22	49.4 49.4 49.4 49.4	7.16 7.16 7.16 7.16	4 4 4 4	a a a a
1.1 2.0 3.2 3.5	700 – – –	– 1300 – –	– – 2050 –	– – – 2300	2100 3900 4500 4500	4500 4500 4500 4500	15.1 14.8 14.7 14.6	9.0 9.0 9.0 9.0	27 27 27 27	31.6 31.6 31.6 31.6	4.72 4.72 4.72 4.72	4 4 4 4	a a a a
1.6 2.9 4.5 4.9	1000 – – –	– 1850 – –	– – 2850 –	– – – 3200	3000 4500 4500 4500	4500 4500 4500 4500	15.5 15.2 15.0 14.9	12.4 12.4 12.4 12.4	38 38 38 38	17.8 17.8 17.8 17.8	2.55 2.55 2.55 2.55	4 4 4 4	a a a a
1.8 3.2 5.0 5.5	1150 – – –	– 2050 – –	– – 3200 –	– – – 3550	3500 4500 4500 4500	4500 4500 4500 4500	15.0 14.9 14.7 14.6	13.6 13.6 13.6 13.6	41 41 41 41	14.2 14.2 14.2 14.2	2.0 2.0 2.0 2.0	4 4 4 4	a a a a
3.1 5.3	2000 –	– 3450	– –	– –	4500 4500	4500 4500	14.8 14.8	22.0 22.0	66 66	5.5 5.5	0.55 0.55	8 8	b b



MGFRK 132-22

Technical data

Data refers to: – Form factor – Enclosure – Cooling (forced ventilation) – Continuous operation – Insulation class	$F_F = 1.05$ IP 54 IC 0541 S1 F
Total weight Inertia	$m = 84 \text{ kg}$ $J = 0.0411 \text{ kgm}^2$
Field excitation	$U_F = 210 \text{ V } I_F = 1.1 \text{ A}$ $U_F = 360 \text{ V } I_F = 0.6 \text{ A}$
A-side bearing B-side bearing	6308-2RSR-C3 6208-2RSR-C3
Carbon brushes	a) 10 x 16 x 20 b) 10 x 12.5 x 20
Permissible shaft load for $L/2$ and n_N – reinforced bearing	$F_r = 2200 \text{ N}$ $F_a = 1100 \text{ N}$ $F_{rr} = 4500 \text{ N}$
Fan variant	220-240 V, 50-60 Hz, 0.55 A 380-460 V, 50-60 Hz, 0.22 A
Cooling variant	IC 0641/0741
Cooling air volume Pressure drop	220 m ³ /h 63 Pa

P kW	Speed n at voltage				η_F	η_{Mech}	M Nm	I_{AN} A	I_{Amax} A	L_A mH	$R_a 125^\circ$ Ω	Carbon brushes	
	280 V	420 V	460 V									min ⁻¹	min ⁻¹
1.6	540	–	–	–	1600	4000	29.2	7.7	24	70.0	7.28	4	a
2.7	–	880	–	–	2650	4000	29.0	7.7	24	70.0	7.28	4	a
3.0	–	–	1000	–	3000	4000	29.0	7.7	24	70.0	7.28	4	a
3.1	930	–	–	–	2800	4000	31.5	13.5	40	27.3	2.82	4	a
4.9	–	1450	–	–	4000	4000	31.3	13.5	40	27.3	2.82	4	a
5.4	–	–	1600	–	4000	4000	31.2	13.5	40	27.3	2.82	4	a
4.0	1200	–	–	–	3600	4000	32.3	17.1	52	17.5	1.79	4	a
6.3	–	1900	–	–	4000	4000	32.0	17.1	52	17.5	1.79	4	a
6.9	–	–	2050	–	4000	4000	31.9	17.1	52	17.5	1.79	4	a
5.0	1450	–	–	–	4000	4000	32.5	20.7	62	13.9	1.23	4	a
7.7	–	2300	–	–	4000	4000	32.4	20.7	62	13.9	1.23	4	a
8.4	–	–	2500	–	4000	4000	31.9	20.7	62	13.9	1.23	4	a
6.2	1850	–	–	–	4000	4000	32.0	25.5	78	7.6	0.789	4	a
9.6	–	2900	–	–	4000	4000	31.6	25.5	78	7.6	0.789	4	a
10.6	–	–	3200	–	4000	4000	31.6	25.5	78	7.6	0.789	4	a
7.0	2150	–	–	–	4000	4000	31.5	28.6	86	6.1	0.60	8	b
10.7	–	3350	–	–	4000	4000	31.0	28.6	86	6.1	0.60	8	b
11.7	–	–	3650	–	4000	4000	30.8	28.6	86	6.1	0.60	8	b
10.2	3100	–	–	–	4000	4000	31.6	41.0	120	2.9	0.311	8	b

DC motors

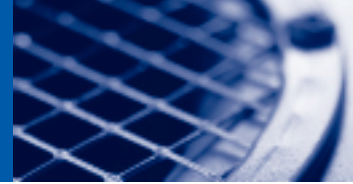
IP44, IP54, IP55

MGFRK 160-32

Technical data

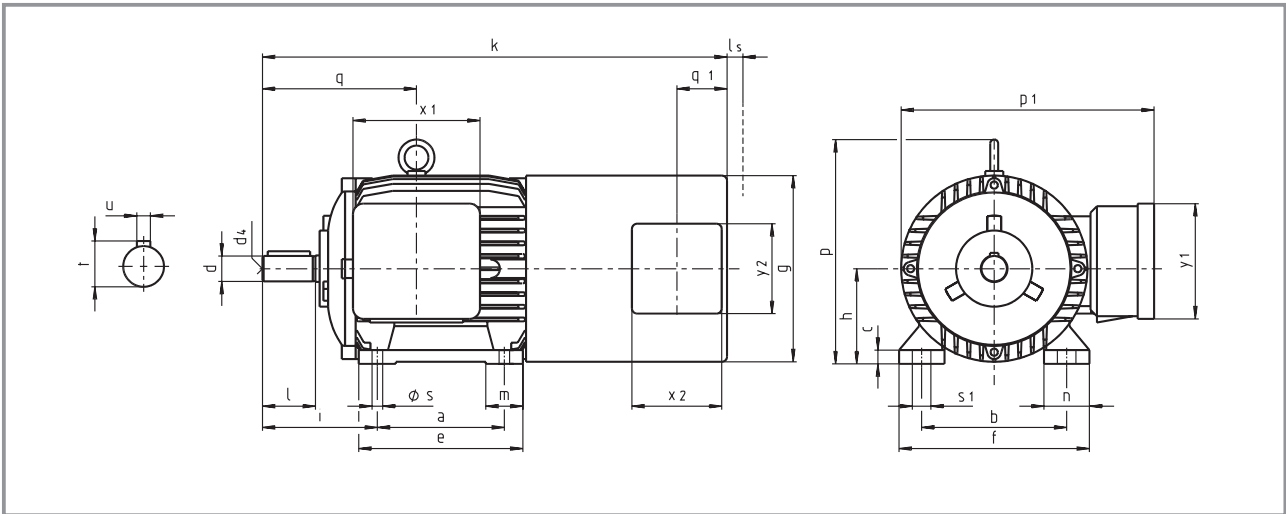
Data refers to: – Form factor – Enclosure – Cooling (forced ventilation) – Continuous operation – Insulation class	F _F = 1.05 IP 54 IC 0541 S1 F
Total weight Inertia	m = 172 kg J = 0,112 kgm ²
Field excitation	U _F = 210 V I _F = 2.2 A U _F = 360 V I _F = 1.2 A
A-side bearing B-side bearing	6310-2RSR-C3 6309-2RSR-C3
Carbon brushes	a) 10 x 16 x 32
Permissible shaft load for L/2 and n _N – reinforced bearing	F _r = 3000 N F _a = 1250 N F _{rr} = 5100 N
Fan variant	220-240 V, 50-60 Hz, 0.71 A 380-460 V, 50-60 Hz, 0.31 A
Cooling variant	IC 0641/0741
Cooling air volume Pressure drop	365 m ³ /h 85 Pa

P kW	Speed n at voltage				n _F	n _{Mech}	M Nm	I _{AN} A	I _{Amax} A	L _A mH	R _a 125° Ω	Carbon brushes	
	280 V	420 V	460 V	–								Quantity	Variant
4.7	600	–	–	–	1800	4000	73.1	20.4	60	27.5	1.86	4	a
7.5	–	970	–	–	2900	4000	72.9	20.4	60	27.5	1.86	4	a
8.2	–	–	1100	–	3300	4000	72.8	20.4	60	27.5	1.86	4	a
7.1	900	–	–	–	2700	4000	73.0	29.4	88	13.1	0.88	4	a
11.1	–	1450	–	–	4000	4000	72.9	29.4	88	13.1	0.88	4	a
12.2	–	–	1600	–	4000	4000	72.5	29.4	88	13.1	0.88	4	a
9.5	1200	–	–	–	3600	4000	73.6	38.3	110	8.2	0.535	8	a
14.6	–	1900	–	–	4000	4000	73.3	38.3	110	8.2	0.535	8	a
16.0	–	–	2100	–	4000	4000	73.1	38.3	110	8.2	0.535	8	a
11.0	1450	–	–	–	4000	4000	73.7	44	130	5.9	0.40	8	a
16.8	–	2200	–	–	4000	4000	73.0	44	130	5.9	0.40	8	a
18.5	–	–	2450	–	4000	4000	73.0	44	130	5.9	0.40	8	a
13.4	1750	–	–	–	4000	4000	73.0	53.3	150	4.1	0.274	8	a
20.5	–	2700	–	–	4000	4000	72.5	53.3	150	4.1	0.274	8	a
22.2	–	–	2950	–	4000	4000	72.4	53.3	150	4.1	0.274	8	a
16.3	2200	–	–	–	4000	4000	70.2	64.4	190	2.6	0.188	8	a
24.8	–	3400	–	–	4000	4000	69.6	64.4	190	2.6	0.188	8	a
27.0	–	–	3700	–	4000	4000	69.4	64.4	190	2.6	0.188	8	a



MGFRK, IMB3 series

Dimensions



R.H.S. terminal box position (standard)

L.H.S. terminal box position possible (from MGFRK 132)

Shaft end to DIN 748T3

Key to DIN 6885, sheet 1

Dimensions to DIN (a, b, c...), IEC (B, A, HA...)

ls = service clearance

Motor type	a B	b A	c HA	e BB	f AB	h H	i —	m BA	n AA	p —	p ₁ —	q —	x ₁ —	y ₁ —	s K	s ₁ —
MGFRK 090-22	125	140	13	155	180	90	106	35	43	—	241	146	120	110	10	18
MGFRK 100-22	140	160	14	175	200	100	123	37.5	48	—	256	162	120	110	11	21
MGFRK 112-22	140	190	14	175	235	112	130	37.5	56	267	282	160	120	110	11	21
MGFRK 132-22	178	216	16	218	260	132	169	40	55	306	332	258	170	170	12	22
MGFRK 160-32	254	254	22	304	318	160	218	58	70	360	385	345	170	170	14	23

Motor type	d D	l E	t GA	u F	d ₄ —	ls —	g AC	q ₁ —	x ₂ —	y ₂ —	External fan	External fan
MGFRK 090-22	24	50	27	8	M8	100	176	48	85	85	A2E 170	A2D 170
MGFRK 100-22	28	60	31	8	M10	110	194	48	85	85	A2E 185	A2D 185
MGFRK 112-22	28	60	31	8	M10	110	218	48	85	85	A2E 210	A2D 210
MGFRK 132-22	38	80	41	10	M12	170	257	48	85	85	A2E 250	A2D 250
MGFRK 160-32	42	110	45	12	M16	200	309	48	85	85	A2E 300	A2D 300

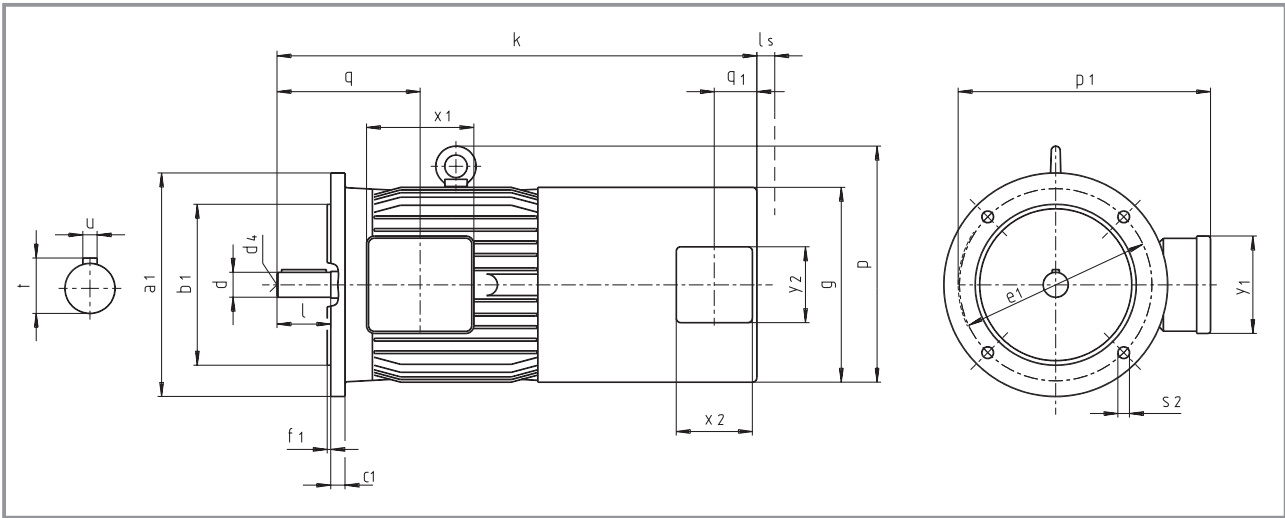
Motor type	Encoder						Brake BFK458-XXX		
	without	TD 3	GT7.08L/420	Resolver	ITD 21	FOG9D+GT7	08	10	12
MGFRK 090-22*	492	492	492	651	651	651	554	554	—
MGFRK 100-22*	536	536	536	697	697	697	597	597	—
MGFRK 112-22*	541	541	557	722	722	722	—	622	622
MGFRK 132-22*	713	713	713	810	810	910	—	—	810
MGFRK 160-32*	911	911	911	1021	1021	1073	—	—	—

Motor type	Brake BFK458-XXX				Brake BFK458-XXX + Encoder				
	14	16	18	20	TD 3	GT7.08L/420	Resolver	ITD 21	FOG9D+GT7
MGFRK 090-22*	—	—	—	—	554	651	651	651	726
MGFRK 100-22*	—	—	—	—	597	697	697	697	772
MGFRK 112-22*	—	—	—	—	622	722	722	722	797
MGFRK 132-22*	810	810	—	—	810	910	910	910	987
MGFRK 160-32*	—	1021	1021	—	1021	1073	1073	1073	1148

*= Dimension k

MGFRK, IMB5 series

Dimensions



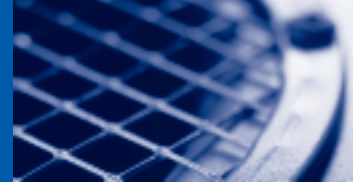
R.H.S. terminal box position (standard)
 L.H.S. terminal box position possible (from MGFRK 132)
 Shaft end to DIN 748T3
 Key to DIN 6885, sheet 1
 Dimensions to DIN (a, b, c...), IEC (B, A, HA...)
 ls = service clearance

Motor type	a ₁ P	b ₁ N	c ₁ LA	e ₁ M	f ₁ T	p	p ₁	q	s ₂ S	x ₁	y ₁	d D	l E	t GA	u F	d ₄	ls	g AC	q ₁	x ₂	y ₂	External fan	External fan
MGFRK 090-22	200	130	11	165	3.5	-	241	146	11.5	120	110	24	50	27	8	M8	100	176	48	85	85	A2E 170	A2D 170
MGFRK 100-22	250	180	16	215	4	-	256	162	13	120	110	28	60	31	8	M10	110	194	48	85	85	A2E 185	A2D 185
MGFRK 112-22	250	180	16	215	4	264	282	160	13	120	110	28	60	31	8	M10	110	218	48	85	85	A2E 210	A2D 210
MGFRK 132-22	300	230	12	265	4	303	332	258	13	170	170	38	80	41	10	M12	170	257	48	85	85	A2E 250	A2D 250
MGFRK 160-32	350	250	13	300	5	355	385	345	18	170	170	42	110	45	12	M16	200	309	48	85	85	A2E 300	A2D 300

Motor type	Encoder						Brake BFK458-XXX		
	without	TD 3	GT7.08L/420	Resolver	ITD 21	FOG9D+GT7	08	10	12
MGFRK 090-22*	492	492	492	651	651	651	554	554	-
MGFRK 100-22*	536	536	536	697	697	697	597	597	-
MGFRK 112-22*	541	541	557	722	722	722	-	622	622
MGFRK 132-22*	713	713	713	810	810	910	-	-	810
MGFRK 160-32*	911	911	911	1021	1021	1073	-	-	-

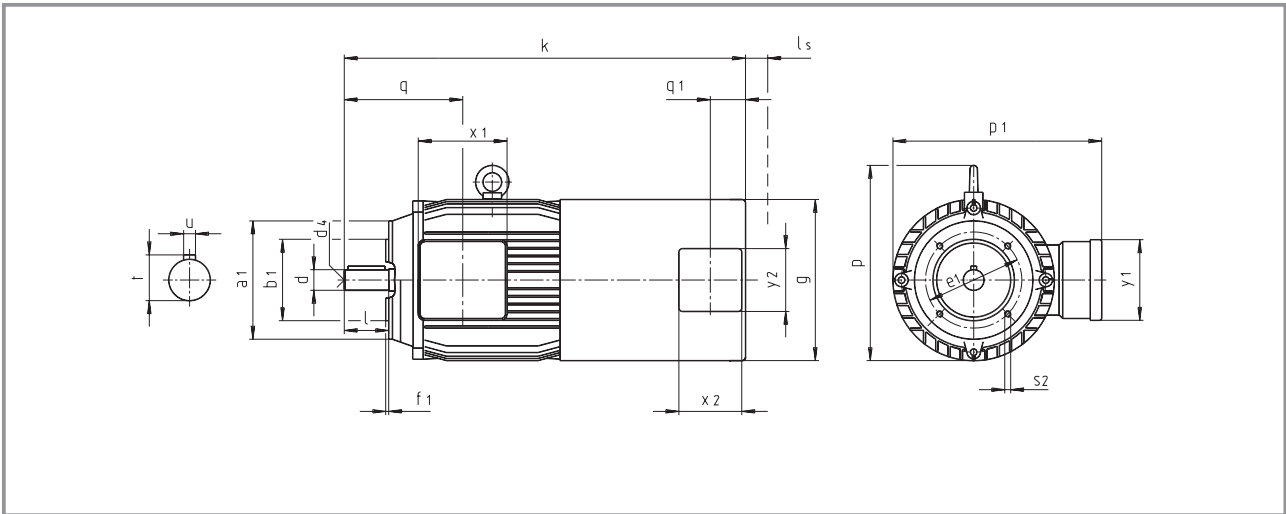
Motor type	Brake BFK458-XXX				Brake BFK458-XXX + Encoder				
	14	16	18	20	TD3	GT7.08L/420	Resolver	ITD 21	FOG9D+GT7
MGFRK 090-22*	-	-	-	-	554	651	651	651	726
MGFRK 100-22*	-	-	-	-	597	697	697	697	772
MGFRK 112-22*	-	-	-	-	622	722	722	722	797
MGFRK 132-22*	810	810	-	-	810	910	910	910	987
MGFRK 160-32*	-	1021	1021	-	1021	1073	1073	1073	1148

*= Dimension k



MGFRK, IMB14 series

Dimensions



R.H.S. terminal box position (standard)

L.H.S. terminal box position possible (from MGFRK 132)

Shaft end to DIN 748T3

Key to DIN 6885, sheet 1

Dimensions to DIN (a, b, c...), IEC (B, A, HA...)

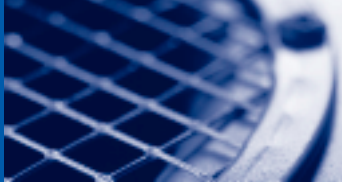
ls = service clearance

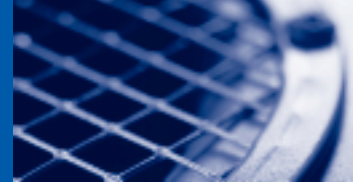
Motor type	a ₁ P	b ₁ N	e ₁ M	f ₁ T	p	p ₁	q	s ₂ S	x ₁	y ₁	d D	l E	t GA	u F	d ₄	ls	g AC	q ₁	x ₂	y ₂	External fan	External fan
MGFRK 090-22	140	95	115	3	-	241	146	M8	120	110	24	50	27	8	M8	100	176	48	85	85	A2E 170	A2D 170
	160	110	130	3.5				M8														
MGFRK 100-22	160	110	130	3.5	-	256	162	M8	120	110	28	60	31	8	M10	110	194	48	85	85	A2E 185	A2D 185
	200	130	165					M10														
MGFRK 112-22	160	110	130	3.5	264	282	160	M8	120	110	28	60	31	8	M10	110	218	48	85	85	A2E 210	A2D 210
	200	130	165					M10														
MGFRK 132-22	200	130	165	4	303	332	258	M10	170	170	38	80	41	10	M12	170	257	48	85	85	A2E 250	A2D 250

Motor type	Encoder						Brake BFK458-XXX		
	without	TD 3	GT7.08L/420	Resolver	ITD 21	FOG9D+GT7	08	10	12
MGFRK 090-22*	492	492	492	651	651	651	554	554	-
MGFRK 100-22*	536	536	536	697	697	697	597	597	-
MGFRK 112-22*	541	541	557	722	722	722	-	622	622
MGFRK 132-22*	713	713	713	810	810	910	-	-	810

Motor type	Brake BFK458-XXX				Brake BFK458-XXX + Encoder				
	14	16	18	20	TD 3	GT7.08L/420	Resolver	ITD 21	FOG9D+GT7
MGFRK 090-22*	-	-	-	-	554	651	651	651	726
MGFRK 100-22*	-	-	-	-	597	697	697	697	772
MGFRK 112-22*	-	-	-	-	622	722	722	722	797
MGFRK 132-22*	810	810	-	-	810	910	910	910	987

*= Dimension k





MGFQU/MGFQK series

Technical information

DC motors with square cross section ensure a maximum output power with minimum dimensions and represent the state-of-the-art in the design of DC motors.

The fully laminated stator compacted by axial welding is held with additional rods and screwed to the end shields, thus forming a very compact and rigid unit. The four-pole design with commutator poles and special arrangements of the main poles for suppressing the armature reaction ensures a spark-free commutation and long operating life of the carbon brushes even for increased starting and braking torques. The MGFQK series has additional compensation and can also be operated spark-free at very high rated current ($3 \times I_N$) and in the field weakening range. Smooth running even at low speeds is ensured by skewed armatures and low commutating voltage.

The motors have IEC or DIN mounting dimensions and can easily be connected to gearboxes of Lenze or any other brand.

Enclosure IP 23s is standard for all motors with top-mounted radial external fan, thermal bimetal contacts and temperature class F. The enamelled wire quality

corresponds to temperature class "H" in order to increase life. Higher enclosures up to IPR 44, filter, air inlet and air flow monitoring can be fitted as an option.

From size 160 the motors can be supplied in enclosure IP 54 with air/air heat exchanger.

The radial external fans can also be mounted at the sides as well as axially via a special air inlet. The position of the terminal box is normally "on top" up to size 132 and "right" from size 160 when viewed from front.

The non-drive end shields are prepared to fit numerous actual value sources.

The modular design allows easy fitting of various options such as DC and AC tachogenerators, incremental encoders and spring-operated brakes.



MGFQU 080-22 IP 43s



MGFQK 160-22 with air-to-air cooling

DC motors

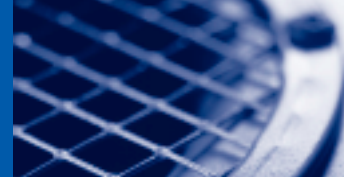
IP23s, IP43s, IPR44

MGFQU 080-22

Technical data

Data refers to: – Form factor – Enclosure – Cooling (forced ventilation) – Continuous operation – Insulation class	F _F = 1.05 IP 23s IC 06 S1 F
Total weight Inertia	m = 36 kg J = 0.0087 kgm ²
Field excitation	U _F = 210 V I _F = 1.2 A U _F = 360 V I _F = 0.8 A
A-side bearing B-side bearing	6305-2RSR-C3 6205-2RSR-C3
Carbon brushes	a) 8 x 16 x 25
Permissible shaft load for L/2 and n _N – reinforced bearing	F _r = 1200 N F _a = 400 N F _{rr} = 1950 N
Fan variant	220–240 V, 50–60 Hz, 0.38 A 380–460 V, 50–60 Hz, 0.11 A
Cooling variant	IC 26 IC 17/37
Cooling air volume Pressure drop	80 m ³ /h 150 Pa

P kW	Speed n at voltage				n _F	n _{Mech}	M Nm	I _{AN} A	I _{Amax} A	L _A mH	R _a 125° Ω	Carbon brushes	
	170 V	280 V	420 V	460 V								Quantity	Variant
0.7	–	380	–	–	450	4500	17.9	5.2	10.4	123.8	27.3	4	a
1.4	–	–	750	–	900	4500	17.9	5.2	10.4	123.8	27.3	4	a
1.6	–	–	–	870	1050	4500	17.9	5.2	10.4	123.8	27.3	4	a
0.6	350	–	–	–	500	4500	17.8	8.4	16.8	48.4	10.74	4	a
1.5	–	830	–	–	1000	4500	17.7	8.4	16.8	48.4	10.74	4	a
2.7	–	–	1450	–	1750	4500	17.7	8.4	16.8	48.4	10.74	4	a
3.0	–	–	–	1600	1900	4500	17.7	8.4	16.8	48.4	10.74	4	a
1.0	530	–	–	–	800	4500	18.0	10.5	21.0	31.0	6.73	4	a
2.1	–	1150	–	–	1400	4500	18.0	10.5	21.0	31.0	6.73	4	a
3.5	–	–	1900	–	2300	4500	18.0	10.5	21.0	31.0	6.73	4	a
3.9	–	–	–	2100	2500	4500	17.9	10.5	21.0	31.0	6.73	4	a
1.4	770	–	–	–	1150	4500	17.6	13.3	26.0	19.4	4.24	4	a
2.8	–	1550	–	–	1850	4500	17.6	13.3	26.0	19.4	4.24	4	a
4.6	–	–	2500	–	3000	4500	17.4	13.3	26.0	19.4	4.24	4	a
5.1	–	–	–	2800	3350	4500	17.4	13.3	26.0	19.4	4.24	4	a
1.8	1000	–	–	–	1500	4500	18.3	16.1	32.2	13.8	2.88	4	a
3.5	–	1900	–	–	2300	4500	18.3	16.1	32.2	13.8	2.88	4	a
5.7	–	–	3000	–	3600	4500	18.1	16.1	32.2	13.8	2.88	4	a
6.2	–	–	–	3350	4000	4500	18.1	16.1	32.2	13.8	2.88	4	a
3.4	1800	–	–	–	2700	4500	18.3	25.7	50.0	5.4	1.13	4	a
6.0	–	3250	–	–	3900	4500	18.0	25.7	50.0	5.4	1.13	4	a
4.3	2850	–	–	–	4300	4500	14.4	30.7	60.0	2.7	0.55	4	a



MGFQU 100-22

Technical data

Data refers to: – Form factor – Enclosure – Cooling (forced ventilation) – Continuous operation – Insulation class	$F_F = 1.05$ IP 23s IC 06 S1 F
Total weight Inertia	$m = 65 \text{ kg}$ $J = 0.0237 \text{ kgm}^2$
Field excitation	$U_F = 210 \text{ V}$ $I_F = 2.4 \text{ A}$ $U_F = 360 \text{ V}$ $I_F = 1.3 \text{ A}$
A-side bearing B-side bearing	6306-2RSR-C3 6206-2RSR-C3
Carbon brushes	a) 10 x 16 x 25
Permissible shaft load for L/2 and n_N – reinforced bearing	$F_r = 1600 \text{ N}$ $F_a = 580 \text{ N}$ $F_{rr} = 3100 \text{ N}$
Fan variant	220–240 V, 50–60 Hz, 0.39 A 380–460 V, 50–60 Hz, 0.11 A
Cooling variant	IC 26 IC 17/37
Cooling air volume Pressure drop	350 m ³ /h 250 Pa

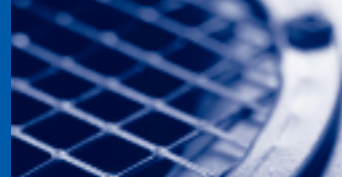
P kW	Speed n at voltage				n_F	n_{Mech}	M Nm	I_{AN} A	I_{Amax} A	L_A mH	R_a 125° Ω	Carbon brushes	
	280 V	420 V	460 V	–								Quantity	Variant
1.3	350	–	–	–	530	4500	35.7	8.0	16	83.7	14.11	4	a
2.4	–	650	–	–	800	4500	35.6	8.0	16	83.7	14.11	4	a
2.7	–	–	720	–	850	4500	35.0	8.0	16	83.7	14.11	4	a
2.2	600	–	–	–	900	4500	35.8	11.5	23	41.0	6.61	4	a
3.8	–	1000	–	–	1200	4500	35.7	11.5	23	41.0	6.61	4	a
4.3	–	–	1150	–	1400	4500	36.4	11.5	23	41.0	6.61	4	a
2.9	800	–	–	–	1200	4500	35.5	14.1	28	26.9	4.522	4	a
4.8	–	1300	–	–	1550	4500	35.3	14.1	28	26.9	4.522	4	a
5.4	–	–	1450	–	1750	4500	34.8	14.1	28	26.9	4.522	4	a
4.7	1200	–	–	–	1800	4500	37.4	21.2	42.5	13.4	2.15	4	a
7.6	–	1950	–	–	2350	4500	37.1	21.2	42.5	13.4	2.15	4	a
8.4	–	–	2150	–	2600	4500	37.1	21.2	42.5	13.4	2.15	4	a
5.8	1500	–	–	–	2250	4500	36.3	25.0	50	9.3	1.521	4	a
9.1	–	2400	–	–	2900	4500	36.1	25.0	50	9.3	1.521	4	a
10.0	–	–	2650	–	3200	4500	36.0	25.0	50	9.3	1.521	4	a
6.4	1700	–	–	–	2550	4500	36.3	27.5	55	7.3	1.226	4	a
10.2	–	2700	–	–	3250	4500	36.1	27.5	55	7.3	1.226	4	a
11.2	–	–	2950	–	3550	4500	35.9	27.5	55	7.3	1.226	4	a
7.3	1950	–	–	–	2900	4500	36.1	30.9	62	5.9	0.954	4	a
11.4	–	3050	–	–	3650	4500	35.7	30.9	62	5.9	0.954	4	a
12.5	–	–	3350	–	4000	4500	35.6	30.9	62	5.9	0.954	4	a
12.1	3250	–	–	–	4500	4500	35.7	49.0	98	2.3	0.808	8	a

MGFQU 112-22

Technical data

Data refers to: – Form factor – Enclosure – Cooling (forced ventilation) – Continuous operation – Insulation class	F _F = 1.05 IP 23s IC 06 S1 F
Total weight Inertia	m = 115 kg J = 0.0475 kgm ²
Field excitation	U _F = 210 V I _F = 3.4 A U _F = 360 V I _F = 2.2 A
A-side bearing B-side bearing	6308-2RSR-C3 6308-2RSR-C3
Carbon brushes	a) 10 x 16 x 25
Permissible shaft load for L/2 and n _N – reinforced bearing	F _r = 2300 N F _a = 1000 N F _{rr} = 4900 N
Fan variant	220–240 V, 50–60 Hz, 1.15 A 380–460 V, 50–60 Hz, 0.5 A
Cooling variant	IC 26 IC 17/37
Cooling air volume Pressure drop	670 m ³ /h 380 Pa

P kW	Speed n at voltage				n _F	n _{Mech}	M Nm	I _{AN} A	I _{Amax} A	L _A mH	R _a 125° Ω	Carbon brushes	
	280 V	420 V	460 V	–								Quantity	Variant
2.8	360	–	–	–	550	4000	75.4	17.4	35	43	6.37	4	a
5.2	–	660	–	–	800	4000	75.4	17.4	35	43	6.37	4	a
5.9	–	–	750	–	900	4000	75.3	17.4	35	43	6.37	4	a
4.5	570	–	–	–	850	4000	76.0	23.8	48	23	3.51	4	a
7.8	–	950	–	–	1150	4000	75.9	23.8	48	23	3.51	4	a
8.7	–	–	1100	–	1300	4000	75.8	23.8	48	23	3.51	4	a
5.9	790	–	–	–	1200	4000	71.4	28.5	57	14.4	2.34	8	a
9.8	–	1300	–	–	1550	4000	71.2	28.5	57	14.4	2.34	8	a
10.9	–	–	1450	–	1750	4000	71.2	28.5	57	14.4	2.34	8	a
9.0	1150	–	–	–	1750	4000	72.7	40.0	80	7.6	1.20	8	a
14.5	–	1900	–	–	2300	4000	72.5	40.0	80	7.6	1.20	8	a
16.0	–	–	2100	–	2500	4000	72.4	40.0	80	7.6	1.20	8	a
13.0	1650	–	–	–	2000	4000	74.9	55.0	110	4.3	0.646	8	a
20.5	–	2600	–	–	3100	4000	74.6	55.0	110	4.3	0.646	8	a
22.5	–	–	2900	–	3500	4000	74.5	55.0	110	4.3	0.646	8	a
15.9	2050	–	–	–	3050	4000	73.8	67.0	134	3.0	0.443	8	a
24.8	–	3200	–	–	3850	4000	73.5	67.0	134	3.0	0.443	8	a
27.1	–	–	3500	–	4000	4000	72.7	67.0	134	3.0	0.443	8	a



MGFQU 132-32

Technical data

Data refers to: – Form factor – Enclosure – Cooling (forced ventilation) – Continuous operation – Insulation class	$F_F = 1.05$ IP 23s IC 06 S1 F
Total weight Inertia	$m = 170 \text{ kg}$ $J = 0.1120 \text{ kgm}^2$
Field excitation	$U_F = 210 \text{ V } I_F = 4.0 \text{ A}$ $U_F = 360 \text{ V } I_F = 2.2 \text{ A}$
A-side bearing B-side bearing	6308-2RSR-C3 6308-2RSR-C3
Carbon brushes	a) 10 x 20 x 32 b) 12.5 x 20 x 32 ZW c) 12.5 x 20 x 32
Permissible shaft load for $L/2$ and n_N – reinforced bearing	$F_r = 2300 \text{ N}$ $F_a = 1350 \text{ N}$ $F_{rr} = 4900 \text{ N}$
Fan variant	380–440 V, 50–60 Hz, 0.66 A 345–540 V, 50–60 Hz, 1.4 A
Cooling variant	IC 26 IC 17/37
Cooling air volume Pressure drop	1000 m ³ /h 450 Pa

P kW	Speed n at voltage				n_F	n_{Mech}	M Nm	I_{AN} A	I_{Amax} A	L_A mH	R_a 125° Ω	Carbon brushes	
	280 V	420 V	460 V	–								Quantity	Variant
5.4	330	–	–	–	500	4000	156.4	30.4	61	31.8	3.17	8	a
9.5	–	590	–	–	700	4000	155.8	30.4	61	31.8	3.17	8	a
10.7	–	–	660	–	800	4000	155.7	30.4	61	31.8	3.17	8	a
10.6	650	–	–	–	980	4000	156.4	49.6	100	12.0	1.19	8	a
17.3	–	1050	–	–	1250	4000	156.0	49.6	100	12.0	1.19	8	a
19.2	–	–	1150	–	1400	4000	155.9	49.6	100	12.0	1.19	8	a
14.9	930	–	–	–	1400	4000	153.9	65.2	130	6.8	0.667	8	a
23.7	–	1500	–	–	1800	4000	153.4	65.2	130	6.8	0.667	8	a
26.2	–	–	1650	–	2000	4000	153.3	65.2	130	6.8	0.667	8	a
18.4	1150	–	–	–	1725	4000	154.8	78.8	160	4.7	0.470	8	a
29.1	–	1800	–	–	2150	4000	154.3	78.8	160	4.7	0.470	8	a
32.1	–	–	2000	–	2400	4000	154.1	78.8	160	4.7	0.470	8	a
24.4	1450	–	–	–	2150	4000	158.6	101	200	3.0	0.289	8	b
38.0	–	2300	–	–	2750	4000	157.9	101	200	3.0	0.289	8	b
41.8	–	–	2550	–	3050	4000	157.7	101	200	3.0	0.289	8	b
29.9	2050	–	–	–	3050	4000	139.3	120	240	1.7	0.171	8	c
46.0	–	3150	–	–	3800	4000	139.5	120	240	1.7	0.171	8	c
50.4	–	–	3450	–	4000	4000	139.5	120	240	1.7	0.171	8	c

DC motors

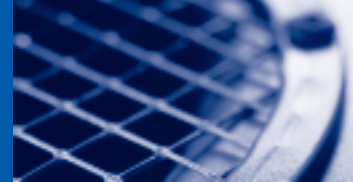
IP23s, IP43s, IPR44

MGFQU 160-22

Technical data

Data refers to: – Form factor – Enclosure – Cooling (forced ventilation) – Continuous operation – Insulation class	F _F = 1.05 IP 23s IC 06 S1 F
Total weight Inertia	m = 250 kg J = 0.2452 kgm ²
Field excitation	U _F = 210 V I _F = 6.7 A U _F = 360 V I _F = 4.0 A
A-side bearing B-side bearing	6312-2RSR-C3 6312-2RSR-C3
Carbon brushes	a) 12.5 x 25 x 32 b) 12.5 x 25 x 32 ZW
Permissible shaft load for L/2 and n _N – reinforced bearing	F _r = 4950 N F _a = 3580 N F _{rr} = 9700 N
Fan variant	345–540 V, 50–60 Hz, 1.4 A
Cooling variant	IC 26 IC 17/37
Cooling air volume Pressure drop	1300 m ³ /h 500 Pa

P kW	Speed n at voltage				n _F min ⁻¹	n _{Mech} min ⁻¹	M Nm	I _{AN} A	I _{Amax} A	L _A mH	R _a 125° Ω	Carbon brushes	
	420 V	460 V	–	–								Quantity	Variant
24.9 27.7	840 –	– 940	– –	– –	1000 1100	3600 3600	283 283	72,0 72,0	145 145	10.8 10.8	0.87 0.87	4 4	a a
33.4 37.0	1100 –	– 1250	– –	– –	1300 1500	3600 3600	290 290	93,3 93,3	187 187	6.5 6.5	0.525 0.525	8 8	a a
40.5 44.8	1300 –	– 1450	– –	– –	1550 1750	3600 3600	290 290	111 111	220 220	4.8 4.8	0.384 0.384	8 8	a a
48.7 53.8	1600 –	– 1800	– –	– –	1900 2150	3600 3600	288 288	131 131	262 262	3.3 3.3	0.268 0.268	8 8	a a
61.6 68.0	2050 –	– 2300	– –	– –	2450 2750	3600 3600	283 283	163 163	325 325	2.1 2.1	0.171 0.171	12 12	b b
82.0 90.6	2800 –	– 3100	– –	– –	3350 3600	3600 3600	279 279	215 215	430 430	1.2 1.2	0.099 0.099	12 12	a a



MGFQU 160-32

Technical data

Data refers to: – Form factor – Enclosure – Cooling (forced ventilation) – Continuous operation – Insulation class – Ambient temperature at 40 °C power/torque derating	$F_F = 1.05$ IP 23s IC 06 S1 F 25 °C 83%
Total weight Inertia	$m = 285 \text{ kg}$ $J = 0.32 \text{ kgm}^2$
Field excitation	$U_F = 210 \text{ V } I_F = 7 \text{ A}$ $U_F = 360 \text{ V } I_F = 4 \text{ A}$
A-side bearing B-side bearing	6312-2RSR-C3 6312-2RSR-C3
Carbon brushes	a) 12.5 x 25 x 32 b) 12.5 x 25 x 32 ZW
Permissible shaft load for $L/2$ and n_N – reinforced bearing	$F_r = 5050 \text{ N}$ $F_a = 3580 \text{ N}$ $F_{rr} = 9900 \text{ N}$
Fan variant	345–540 V, 50–60 Hz, 1.4 A
Cooling variant	IC 26 IC 17/37
Cooling air volume Pressure drop	1300 m ³ /h 500 Pa

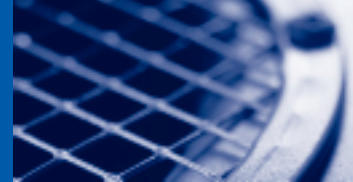
P kW	Speed n at voltage				n_F min ⁻¹	n_{Mech} min ⁻¹	M Nm	I_{AN} A	I_{Amax} A	L_A mH	R_a 125° Ω	Carbon brushes	
	420 V	460 V	–	–								Quantity	Variant
22.5 25.0	650 –	– 720	– –	– –	800 870	3600 3600	330 330	66 66	130 130	14.6 14.6	1.05 1.05	4 4	a a
30.4 33.8	870 –	– 950	– –	– –	1050 1150	3600 3600	334 334	85 85	170 170	8.9 8.9	0.63 0.63	8 8	a a
36.2 40.0	1050 –	– 1150	– –	– –	1250 1400	3600 3600	333 333	100 100	200 200	6.5 6.5	0.374 0.374	8 8	a a
43.8 48.4	1250 –	– 1400	– –	– –	1500 1700	3600 3600	329 329	119 119	240 240	4.5 4.5	0.324 0.324	8 8	a a
56.0 62.0	1600 –	– 1800	– –	– –	1900 2150	3600 3600	330 330	149 149	300 300	2.9 2.9	0.206 0.206	12 12	b b
79 86.2	2200 –	– 2400	– –	– –	2650 2900	3600 3600	343 343	207 207	410 410	1.6 1.6	0.115 0.115	12 12	a a

MGFQK 063-32

Technical data

Data refers to: – Form factor – Enclosure – Cooling (forced ventilation) – Continuous operation – Insulation class	$F_F = 1.05$ IP 23s IC 06 S1 F
Total weight Inertia	$m = 19 \text{ kg}$ $J = 0.0032 \text{ kgm}^2$
Field excitation	$U_F = 210 \text{ V } I_F = 1.0 \text{ A}$ $U_F = 360 \text{ V } I_F = 0.52 \text{ A}$
A-side bearing B-side bearing	6204-2RSR-C3 6204-2RSR-C3
Carbon brushes	a) 6.3 x 16 x 20
Permissible shaft load for L/2 and n_N – reinforced bearing	$F_r = 750 \text{ N}$ $F_a = 400 \text{ N}$ $F_{rr} = 1100 \text{ N}$
Fan variant	220–240 V, 50–60 Hz, 0.39 A 380–460 V, 50–60 Hz, 0.11 A
Cooling variant	IC 26 IC 17/37
Cooling air volume Pressure drop	65 m ³ /h 70 Pa

P kW	Speed n at voltage				η_F	η_{Mech}	M Nm	I_{AN} A	I_{Amax} A	L_A mH	$R_a^{125^\circ}$ Ω	Carbon brushes	
	170 V	280 V	–	–								Quantity	Variant
0.33 0.85	400 –	– 1150	– –	– –	1300 3450	4500 4500	7.0 6.9	5.3 5.3	15 15	57.5 57.5	19.4 19.4	4 4	a a
0.5 1.1	750 –	– 1650	– –	– –	2250 4500	4500 4500	7.0 6.9	5.7 5.7	17 17	39.7 39.7	13.26 13.26	4 4	a a
0.75 1.5	1000 –	– 2100	– –	– –	3000 4500	4500 4500	7.0 6.9	8.0 8.0	24 24	26.5 26.5	8.5 8.5	4 4	a a
1.0 2.0	1300 –	– 2700	– –	– –	3900 4500	4500 4500	7.0 7.0	10.2 10.2	30 30	15.5 15.5	5.59 5.59	4 4	a a
1.3 2.4	1700 –	– 3200	– –	– –	4500 4500	4500 4500	7.0 7.0	11.3 11.3	34 34	12.5 12.5	4.09 4.09	4 4	a a



MGFQK 100-32

Technical data

Data refers to: – Form factor – Enclosure – Cooling (forced ventilation) – Continuous operation – Insulation class	$F_F = 1.05$ IP 23s IC 06 S1 F
Total weight Inertia	$m = 63 \text{ kg}$ $J = 0.0170 \text{ kgm}^2$
Field excitation	$U_F = 210 \text{ V } I_F = 1.6 \text{ A}$ $U_F = 360 \text{ V } I_F = 0.86 \text{ A}$
A-side bearing B-side bearing	6306-2RSR-C3 6206-2RSR-C3
Carbon brushes	a) 10 x 12.5 x 25
Permissible shaft load for L/2 and n_N – reinforced bearing	$F_r = 1600 \text{ N}$ $F_a = 580 \text{ N}$ $F_{rr} = 3100 \text{ N}$
Fan variant	220–240 V, 50–60 Hz, 0.76 A 380–460 V, 50–60 Hz, 0.25 A
Cooling variant	IC 26 IC 17/37
Cooling air volume Pressure drop	330 m ³ /h 290 Pa

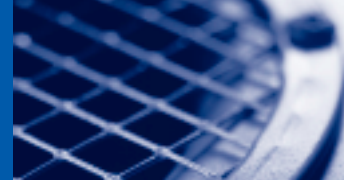
P kW	Speed n at voltage				η_F	η_{Mech}	M Nm	I_{AN} A	I_{Amax} A	L_A mH	R_a125° Ω	Carbon brushes	
	280 V	420 V	460 V	–								Quantity	Variant
1.7	470	–	–	–	1400	4500	34.7	10.8	32	70.2	10.9	4	a
3.2	–	880	–	–	2650	4500	34.7	10.8	32	70.2	10.9	4	a
3.6	–	–	1000	–	3000	4500	34.6	10.8	32	70.2	10.9	4	a
3.2	850	–	–	–	2550	4500	34.7	17.6	53	31.2	4.79	4	a
5.5	–	1500	–	–	4500	4500	34.7	17.6	53	31.2	4.79	4	a
6.1	–	–	1650	–	4500	4500	34.6	17.6	53	31.2	4.79	4	a
4.0	1100	–	–	–	3300	4500	34.6	19.4	58	21.9	3.42	4	a
6.6	–	1850	–	–	4500	4500	34.4	19.4	58	21.9	3.42	4	a
7.4	–	–	2050	–	4500	4500	34.4	19.4	58	21.9	3.42	4	a
5.3	1450	–	–	–	4350	4500	34.5	26.0	78	13.7	2.19	4	a
8.5	–	2400	–	–	4500	4500	34.3	26.0	78	13.7	2.19	4	a
9.5	–	–	2650	–	4500	4500	34.2	26.0	78	13.7	2.19	4	a
6.6	1850	–	–	–	4500	4500	34.3	29.0	87	9.5	1.6	8	a
10.6	–	3000	–	–	4500	4500	34.1	29.0	87	9.5	1.6	8	a
11.6	–	–	3250	–	4500	4500	34.0	29.0	87	9.5	1.6	8	a
11.6	3300	–	–	–	4500	4500	33.8	48.0	144	3.5	0.554	8	a

MGFQK 160-22

Technical data

Data refers to: – Form factor – Enclosure – Cooling (forced ventilation) – Continuous operation – Insulation class	F _F = 1.05 IP 23s IC 06 S1 F
Total weight Inertia	m = 250 kg J = 0.2452 kgm ²
Field excitation	U _F = 210 V I _F = 6.2 A U _F = 360 V I _F = 3.5 A
A-side bearing B-side bearing	6312-2RSR-C3 6312-2RSR-C3
Carbon brushes	a) 12.5 x 25 x 32 b) 12.5 x 25 x 32 ZW
Permissible shaft load for L/2 and n _N – reinforced bearing	F _r = 4950 N F _a = 3580 N F _{rr} = 9700 N
Fan variant	345–540 V, 50–60 Hz, 1.4 A
Cooling variant	IC 26 IC 17/37 IC 0666
Cooling air volume Pressure drop	1300 m ³ /h 500 Pa

P kW	Speed n at voltage				n _F min ⁻¹	n _{Mech} min ⁻¹	M Nm	I _{AN} A	I _{Amax} A	L _A mH	R _{a125°} Ω	Carbon brushes	
	420 V	460 V	–	–								Quantity	Variant
25.1 27.9	820 –	– 900	– –	– –	2450 2700	3600 3600	292 292	72 72	180 180	9.2 9.2	0.884 0.884	4 4	a a
33.7 37.3	1100 –	– 1200	– –	– –	3300 3600	3600 3600	295 295	93 93	232 232	5.6 5.6	0.50 0.50	8 8	a a
40.8 45.0	1300 –	– 1450	– –	– –	3600 3600	3600 3600	300 300	111 111	275 275	4.1 4.1	0.368 0.368	8 8	a a
49.2 54.4	1550 –	– 1750	– –	– –	3600 3600	3600 3600	298 298	132 132	330 330	2.8 2.8	0.260 0.260	8 8	a a
62.0 68.2	2000 –	– 2200	– –	– –	3600 3600	3600 3600	293 293	163 163	410 410	1.8 1.8	0.16 0.16	12 12	b b
83.0 90.8	2750 –	– 3000	– –	– –	3600 3600	3600 3600	289 289	215 215	540 540	1.0 1.0	0.09 0.09	12 12	a a



MGFQK 160-32

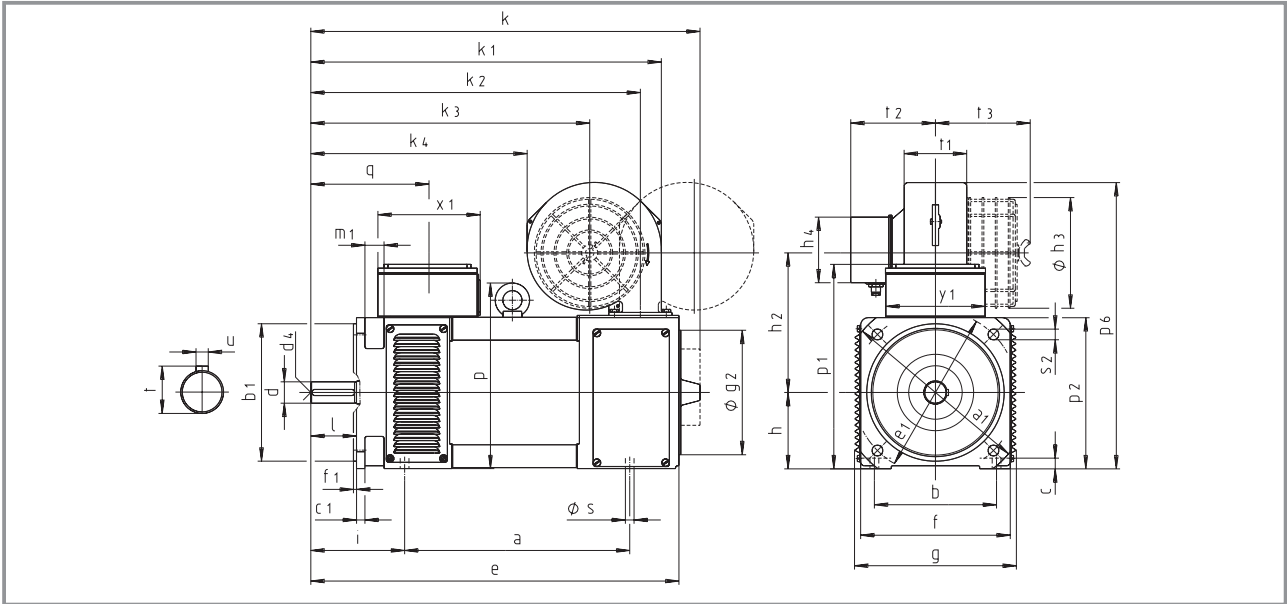
Technical data

Data refers to: – Form factor – Enclosure – Cooling (forced ventilation) – Continuous operation – Insulation class – Ambient temperature at 40 °C power/torque derating	$F_F = 1.05$ IP 23s IC 06 S1 F 25 °C 83%
Total weight Inertia	$m = 285 \text{ kg}$ $J = 0.32 \text{ kgm}^2$
Field excitation	$U_F = 210 \text{ V}$ $I_F = 6.2 \text{ A}$ $U_F = 360 \text{ V}$ $I_F = 3.6 \text{ A}$
A-side bearing B-side bearing	6312-2RSR-C3 6312-2RSR-C3
Carbon brushes	a) 12.5 x 25 x 32 b) 12.5 x 25 x 32 ZW
Permissible shaft load for $L/2$ and n_N – reinforced bearing	$F_r = 5050 \text{ N}$ $F_a = 3580 \text{ N}$ $F_{rr} = 9900 \text{ N}$
Fan variant	345–540 V, 50–60 Hz, 1.4 A
Cooling variant	IC 26 IC 17/37 IC 0666
Cooling air volume Pressure drop	1300 m ³ /h 500 Pa

P kW	Speed n at voltage				n_F	n_{Mech}	M Nm	I_{AN} A	I_{Amax} A	L_A mH	R_a 125° Ω	Carbon brushes	
	420 V	460 V	–	–								min ⁻¹	min ⁻¹
22.6 25.2	630 –	– 700	– –	– –	1900 2100	3600 3600	343 343	66 66	165 165	12.4 12.4	1.0 1.0	4 4	a a
30.8 34.1	850 –	– 940	– –	– –	2550 2800	3600 3600	347 347	86 86	215 215	7.5 7.5	0.597 0.597	8 8	a a
36.5 40.4	1000 –	– 1100	– –	– –	3000 3300	3600 3600	346 346	100 100	250 250	5.5 5.5	0.448 0.448	8 8	a a
44.1 48.7	1250 –	– 1350	– –	– –	3600 3600	3600 3600	344 344	120 120	300 300	3.6 3.6	0.307 0.307	12 12	a a
56.2 61.9	1550 –	– 1700	– –	– –	3600 3600	3600 3600	343 343	149 149	370 370	2.4 2.4	0.200 0.200	12 12	b b
79.3 87.6	2100 –	– 2350	– –	– –	3600 3600	3600 3600	360 356	207 207	515 515	1.4 1.4	0.107 0.107	12 12	a a

MGFQU/MGFQK, IMB35 series

Dimensions



Terminal box position "on top" (standard)

Shaft end to DIN 748T3

Key to DIN 6885, sheet 1

Dimensions to DIN (a, b, c...), IEC (B, A, HA...)

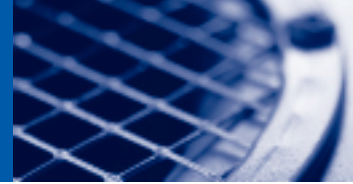
** only in IMB5 design

Motor type	a B	a ₁ P	b A	b ₁ N	c HA	c ₁ LA	e BB	e ₁ M	f AB	f ₁ T	g AC	g ₂ -	h H	i -	k ₂ -	m ₁ -	p -	p ₁ -	p ₂ -	q -	s K
MGFQK 063-32**	-	200	-	130	-	10	-	165	150	3.5	141	-	75	-	361	20	-	202	150	125	-
MGFQU 080-22	255	200	125	130	11	11	350	165	159	3.5	174	140	80	100	385	21	194	220	158	138	9.5
MGFQU 100-22	295	250	160	180	14	11	382	215	196	4	212	163	100	123	432	25	243	290	198	155	11.5
MGFQK 100-32	295	250	160	180	14	11	382	215	196	4	212	163	100	123	420	25	248	290	198	155	11.5
MGFQU 112-22	385	300	190	230	16	12	504	265	220	4	235	198	112	150	555	25	267	314	222	157	11.5
MGFQU 132-32	460	300	215	230	18	12	604	265	260	4	275	238	132	169	643	25	315	366	262	202	14

Motor type	s ₂ S	x ₁ -	y ₁ -	d D	l E	t GA	u F	d ₄ -	h ₂ -	h ₃ -	h ₄ -	k ₁ -	k ₃ -	k ₄ -	p ₆ -	t ₁ -	t ₂ -	t ₃ -	External fan
MGFQK 063-32**	11	110	120	19	40	21.5	6	M6	145	145	94	389	295	213	315	82	111	124	G2E (D) 120
MGFQU 080-22	11	110	120	24	50	27	8	M8	160	145	94	413	319	237	339	82	111	124	G2E (D) 120
MGFQU 100-22	14	134	131	28	60	31	8	M10	180	145	94	460	366	284	379	82	111	124	G2E (D) 120
MGFQK 100-32	14	134	131	28	60	31	8	M10	201	185	94	467	326	219	447	100	97	141	G2E (D) 140
MGFQU 112-22	14	134	131	38	80	41	10	M12	213	185	94	602	461	354	451	100	97	141	G2E (D) 160
MGFQU 132-32	14	157	155	38	80	41	10	M12	250	185	94	700	542	420	525	92	113	137	G2D 180

Motor type	Encoder						Brake BFK460-XXX		
	without	TD 3	GT7.08L/420	Resolver	ITD 21	FOG9D+GT7	08	10	12
MGFQK 063-22*	451	443	459	483	483	572	509	-	-
MGFQU 080-22*	467	459	475	499	499	588	-	555	555
MGFQU 100-22*	520	512	528	552	552	641	-	-	608
MGFQK 100-32*	520	512	528	552	552	641	-	-	608
MGFQU 112-22*	660	652	668	692	692	770	-	-	-
MGFQU 132-32*	760	752	768	792	792	870	-	-	-

*= Dimension k

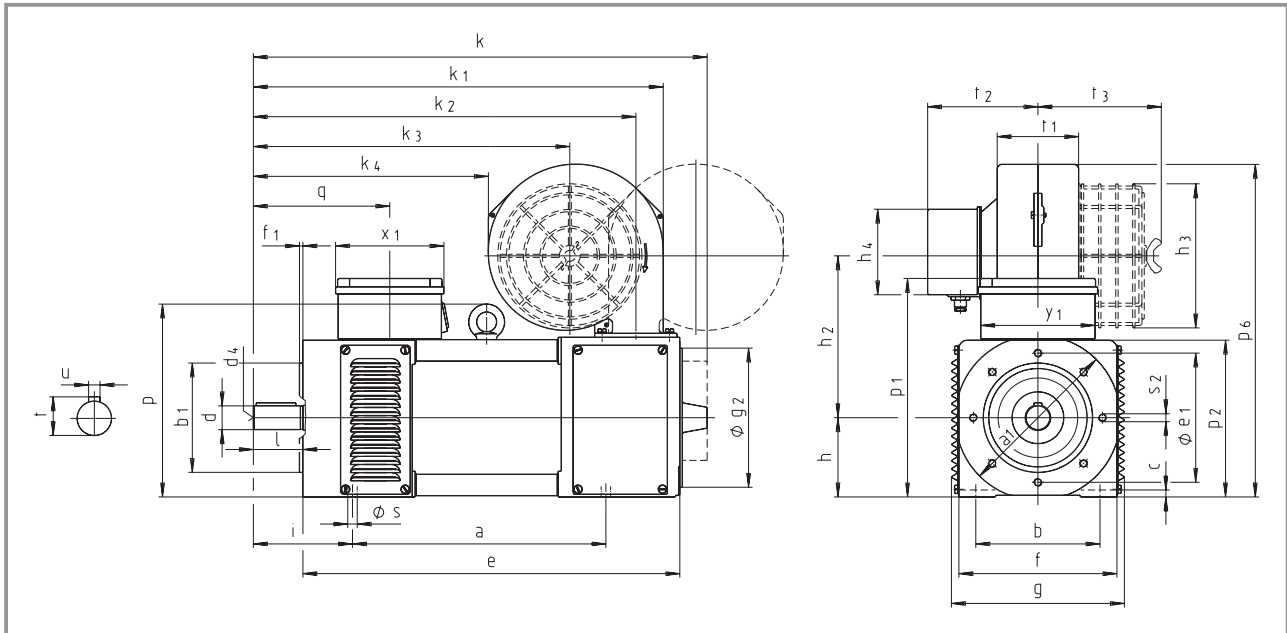


Motor type	Brake BFK460-XXX				Brake BFK460-XXX + Encoder				
	14	16	18	20	TD 3	GTF7.08L/420	Resolver	ITD 21	FOG9D+GT7
MGFQK 063-32*	–	–	–	–	501	587	541	541	619
MGFQU 080-22*	–	–	–	–	547	633	587	587	665
MGFQU 100-22*	608	–	–	–	600	686	640	640	718
MGFQK 100-32*	608	–	–	–	600	686	640	640	718
MGFQU 112-22*	–	786	786	–	778	864	818	818	896
MGFQU 132-32*	–	–	886	886	878	964	918	918	996

*= Dimension k

MGFQU/MGFQK, IMB34 series

Dimensions



Terminal box position "on top" (standard)

Shaft end to DIN 748T3

Key to DIN 6885, sheet 1

Dimensions to DIN (a, b, c...), IEC (B, A, HA...)

Motor type	a B	a ₁ P	b A	b ₁ N	c HA	e BB	e ₁ M	f AB	f ₁ T	g AC	g ₂ -	h H	i -	k ₂ -	p -	p ₁ -	p ₂ -	q -	s k	s ₂ S
MGFQK 063-32	250	120 160	90	80 110	4	325	100 130	125	3 3.5	141	-	63	96	361	-	190	125	125	7	M6 M8
MGFQU 080-22	255	160	125	110	11	350	130	159	3.5	174	140	80	100	385	194	220	158	138	9.5	M8
MGFQU 100-22	295	160	160	110	14	382	130	196	3.5	212	163	100	123	432	243	290	198	155	11.5	M8
MGFQK 100-32	295	160	160	110	14	382	130	196	3.5	212	163	100	123	420	248	290	198	155	11.5	M8

Motor type	x ₁ -	y ₁ -	d D	l E	t GA	u F	d ₄ -	h ₂ -	h ₃ -	h ₄ -	k ₁ -	k ₃ -	k ₄ -	p ₆ -	t ₁ -	t ₂ -	t ₃ -	External fan
MGFQK 063-32	110	115	19	40	21.5	6	M6	145	145	94	389	295	213	315	82	111	124	G2E (D) 120
MGFQU 080-22	110	115	24	50	27	8	M8	160	145	94	413	319	237	339	82	111	124	G2E (D) 120
MGFQU 100-22	134	131	28	60	31	8	M10	180	145	94	460	366	284	379	82	111	124	G2E (D) 120
MGFQK 100-32	134	131	28	60	31	8	M10	201	185	94	467	326	219	447	100	97	141	G2E (D) 140

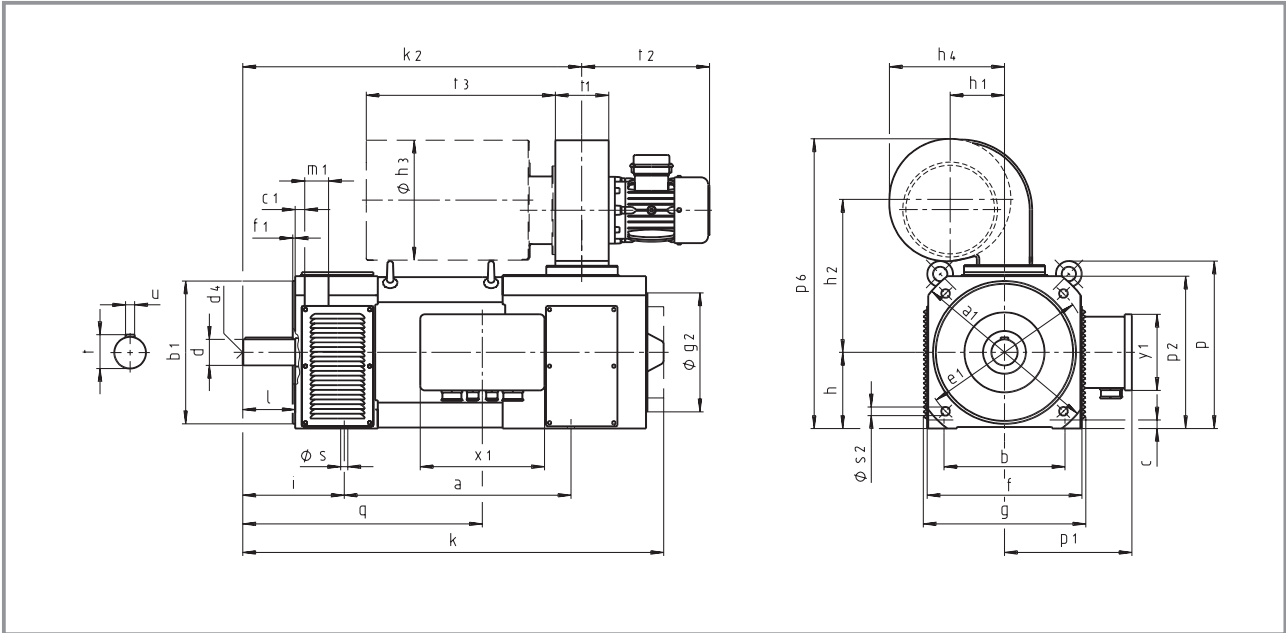
Motor type	Encoder						Brake BFK460-XXX		
	without	TD 3	GT7.08L/420	Resolver	ITD 21	FOG9D+GT7	08	10	12
MGFQK 063-32*	451	443	459	483	483	572	509	-	-
MGFQU 080-22*	467	459	475	499	499	588	-	555	555
MGFQU 100-22*	520	512	528	552	552	641	-	-	608
MGFQK 100-32*	520	512	528	552	552	641	-	-	608

Motor type	Brake BFK460-XXX			Brake BFK460-XXX + Encoder				
	14	16	18	TD 3	GT7.08L/420	Resolver	ITD 21	FOG9D+GT7
MGFQK 063-32*	-	-	-	501	587	541	541	619
MGFQU 080-22*	-	-	-	547	633	587	587	665
MGFQU 100-22*	608	-	-	600	686	640	640	718
MGFQK 100-32*	608	-	-	600	686	640	640	718

*= Dimension k

MGFQU/MGFQK, IMB35 series

Dimensions



R.H.S. terminal box position (standard)
L.H.S. terminal box position possible
Shaft end to DIN 748T3
Key to DIN 6885, sheet 1
Dimensions to DIN (a, b, c...), IEC (B, A, HA...)

Motor type	a B	a ₁ P	b A	b ₁ N	c HA	c ₁ LA	e BB	e ₁ M	f AB	f ₁ T	g AC	g ₂ -	h H	i -	k ₂ -	m ₁ -	p -	p ₁ -	p ₂ -	q -
MGFQU 160-22	476	400	254	300	18	20	737	350	325	5	342	250	160	213	712	50	355	268	330	503
MGFQK 160-22																				
MGFQU 160-32	556	400	254	300	18	20	817	350	325	5	342	250	160	213	792	50	355	268	330	583
MGFQK 160-32																				

Motor type	s K	s ₂ S	x ₁ -	y ₁ -	d D	l E	t GA	u F	d ₄ -	h ₁ -	h ₂ -	h ₃ -	h ₄ -	p ₆ -	t ₁ -	t ₂ -	t ₃ -	External fan
MGFQU 160-22	15	18	261	160	55	110	59	16	M20	115	299	252	240	606	112	268	392	DNG6-35/S
MGFQK 160-22																		
MGFQU 160-32	15	18	261	160	55	110	59	16	M20	115	299	252	240	606	112	268	392	DNG6-35/S
MGFQK 160-32																		

Motor type	Encoder						Brake BFK460-XXX
	without	TD 3	GT7.08/420	Resolver	ITD 21	FOG9D+GT7	18
MGFQU 160-22*							
MGFQK 160-22*	864	889	905	929	929	1018	993
MGFQU 160-32*							
MGFQK 160-32*	944	969	985	1009	1009	1098	1073

Motor type	Brake BFK460-XXX		Brake BFK460-XXX + Encoder				
	20	25	TD 3	GT7.08/420	Resolver	ITD 21	FOG9D+GT7
MGFQU 160-22*							
MGFQK 160-22*	993	993	1018	1104	1058	1058	1136
MGFQU 160-32*							
MGFQK 160-32*	1073	1073	1098	1184	1138	1138	1216

*= Dimension k

Lenze AG

Postfach 101352
D-31763 Hameln
Telefon +49 (0)51 54/82-0
Telefax +49 (0)51 54/82-28 00
E-Mail: Lenze@Lenze.de
Internet: www.Lenze.com

Lenze Drive Systems GmbH

Postfach 10 13 52, D-31763 Hameln
Telefon +49 (0)51 54 / 82-0
Telefax +49 (0)51 54 / 82-28 00

Lenze GmbH & Co KG Anlagenbau

Buchenweg 1
D-31855 Aerzen
Telefon +49 (0)51 54 / 82-0
Telefax +49 (0)51 54 / 82-21 00

Lenze Bremsen GmbH

Wülmsers Weg 5
D-31855 Aerzen
Telefon +49 (0)51 54 / 82-14 53
Telefax +49 (0)51 54 / 82-11 04

Lenze GmbH & Co KG Kleinantriebe

Hans-Lenze-Straße 1
D-32699 Extertal
Telefon +49 (0)51 54 / 82-0
Telefax +49 (0)51 54 / 82-14 85

Lenze Service GmbH

Breslauer Straße 3
D-32699 Extertal

Mechanical Drives

Telefon +49 (0)51 54 / 82-16 26
Telefax +49 (0)51 54 / 82-13 96

Electronic Drives

Telefon +49 (0)51 54 / 82-11 11
Telefax +49 (0)51 54 / 82-11 12

Service Helpline

+49 (0)180 5 20 24 26

Lenze Verbindungstechnik GmbH

IpF-Landesstraße 1
A-4481 ASTEN
Phone +43 (0)72 24 / 21 1-0
Telefax +43 (0)72 24 / 21 19 98

Lenze DETO Drive Systems GmbH & Co KG

Gewerbepark Süd 11
A-6330 Kufstein
Telefon +43 (0)53 72 / 6 53 15-200
Telefax +43 (0)53 72 / 6 53 15-299

LS Automation GmbH & Co KG

Jakob-Stadler-Platz 11
D-78467 Konstanz
Telefon +49 (0)75 31 / 9 42 19-0
Telefax +49 (0)75 31 / 9 42 19 20

encoway GmbH

Universitätsallee 21-23
D-28359 Bremen
Telefon +49 (0)4 21 / 2 46 77-0
Telefax +49 (0)4 21 / 2 46 77-10

DEUTSCHLAND/GERMANY

Lenze Vertrieb GmbH

Ludwig-Erhard-Straße 52-56
D-72760 Reutlingen
Telefon +49 (0)71 21 / 9 39 39-0
Telefax +49 (0)71 21 / 9 39 39-29

Region Nord
Dornenpark 1
31840 Hessisch Oldendorf
Telefon (0 51 52) 90 36-0
Telefax (0 51 52) 90 36-33/44/55

Region West
Postfach 10 12 20
47497 Neukirchen-Vluyn
Kelvinstraße 7
47506 Neukirchen-Vluyn
Telefon (0 28 45) 95 93-0
Telefax (0 28 45) 95 93 93

Region Mitte/Ost
Postfach 1463
35724 Herborm
Austraße 81
35745 Herborm
Telefon (0 27 72) 95 94-0
Telefax (0 27 72) 5 30 79

Region Südwest
Postfach 14 33
71304 Waiblingen
Schänzle 8
71332 Waiblingen
Telefon (0 71 51) 9 59 81 - 0
Telefax (0 71 51) 9 59 81 50

Region Süd
Fraunhoferstraße 16
82152 Martinsried
Telefon (0 89) 89 56 14-0
Telefax (0 89) 89 56 14 14

WELTWEIT/WORLDWIDE

ALGERIA

see FRANCE

ARGENTINA *

E.R.H.S.A.
Girardot 1368, 1427 BUENOS AIRES
Phone +54 (0)11 / 45 54 32 32
Telefax +54 (0)11 / 45 52 36 11

AUSTRALIA *

FCR Motion Technology Pty. Ltd.
Unit 6, Automation Place
38-40 Little Boundary Rd.
LAVERTON NORTH, Vic. 3026
Phone +61 (3) 9362 6800
Telefax +61 (3) 9314 3744

AUSTRIA *

Lenze Antriebstechnik GmbH
IpF-Landesstraße 1
4481 ASTEN
Phone +43 (0)7224 / 21 0-0
Telefax +43 (0)7224 / 21 09 99
Office Dornbirn:
Lustenauer Straße 64
6850 DORNBIERN
Phone +43 (0)5572 / 26 789-0
Telefax +43 (0)5572 / 26 789-66

Office Wr. Neudorf:
Triester Straße 14/109
2351 WR. NEUDORF
Phone +43 (0)2236 / 2 53 33-0
Telefax +43 (0)2236 / 2 53 33-66

Office Graz:
Seering 8
8141 UNTERPREMSTÄTTEN
Phone +43 (0)3135 / 56 900-0
Telefax +43 (0)3135 / 56 900 999

Lenze Verbindungstechnik GmbH
IpF-Landesstraße 1
4481 ASTEN
Phone +43 (0)7224 / 21 1-0
Telefax +43 (0)7224 / 21 19 98

Lenze Anlagentechnik GmbH
Mühlenstraße 3
4470 ENNS
Phone +43 (0)7223 / 886-0
Telefax +43 (0)7223 / 886-997

BELGIUM *

Lenze bv.ba
Noorderlaan 133
bus 15
2030 ANTWERPEN
Phone +32 (0)3 / 54 26 20 0
Telefax +32 (0)3 / 54 13 75 4

BOSNIA-HERZEGOVINA

see AUSTRIA

BRAZIL *

AC Control Ltda
Rua Gustavo da Silveira 1199
Vila Sta. Catarina
SÃO PAULO – S.P.
04376-000
Phone +55 (11) 55 64 65 79 ramal: 214
Telefax +55 (11) 56 79 75 10

BULGARIA

see MACEDONIA

CANADA *

see USA

CHILE

Sargent S.A.
Tecnica Thomas C. Sargent
S.A.C.é.l.
Casilla 166-D
SANTIAGO DE CHILE
Phone +56 (0)2 / 51 03 000
Telefax +56 (0)2 / 69 83 989

CHINA *

Lenze Mechatronic Drives (Shanghai)
Co. Ltd., Section B, 50# building,
No.199 North Ri Ying Road,
Waigaoqiao Free Trade Zone
SHANGHAI, 200131
Phone +86-21-5046 0848
Telefax +86-21-5046 0850

Beijing Office
Rm. 401, Huaxin Mansion
No. 33 An Ding Road
Chaoyang District
BEIJING 100029
Phone +86-10-6441 1470
Telefax +86-10-6441 1467

CROATIA

Lenze Antriebstechnik GmbH
Predstavnista Zagreb
Ulica Grada Gospica 3
HR-1000 ZAGREB
Phone +385-1-2 49 80 56
Telefax +385-1-2 49 80 57

CZECH REPUBLIC

Lenze, s.r.o.
Central Trade Park D1
396 01 HUMPOLEC
Phone +420 565 507-111
Telefax +420 565 507-399

Büro Červený Kostelec:
17. listopadu 510
549 41 ČERVENÝ KOSTELEČ
Phone +420 491 467-111
Telefax +420 491 467-166

DENMARK *

Lenze A/S
Vallensbækvej 18A
2605 BRØNDBY
Phone +45 / 46 96 66 66
Telefax +45 / 46 96 66 60
24 stunde service +45 / 40 93 04 11

Büro Jylland:
Lenze A/S
Enebærvej 11
8653 THEM
Phone +45 / 46 96 66 66
Telefax +45 / 46 96 66 80

EGYPT

WADI Co. for technologies
and development
P.O.Box 209, new center Ramses
11794 CAIRO, Egypt
11 Syria St., Mohandessin
GIZA, Egypt
Phone +20 (2) 347 6842
Telefax +20 (2) 347 6843

ESTONIA

see FINLAND

FINLAND *

Lenze Drives
Rykmentintie 2 b
20810 TURKU
Phone +358 2 2748 180
Telefax +358 2 2748 189

FRANCE *

Lenze S.A.
Siege
Z.A. de Chanteloup
Rue Albert Einstein
93603 AULNAY-SOUS-BOIS CEDEX

Services Commerciaux

Tel. 0 825 086 036
Fax 0 825 086 346

Centre de formation

E-Mail : semin.sidonie@lenze.fr

Questions générales / Documentation

E-Mail : info@lenze.fr

Service Après-vente / assistance en ligne

Helpline 24/24 : 0 825 826 117
E-Mail : helpline@lenze.fr

Agences en France

Région France Nord :
Z.A. de Chanteloup
Rue Albert Einstein
93603 AULNAY-SOUS-BOIS CEDEX

Lille
59420 MOUVAUX

Strasbourg
67960 ENTZHEIM

Rouen
76500 ELBEUF

Région France Sud :

Rond point du sans souci
69578 LIMONEST Cedex

Toulouse
31400 TOULOUSE

Agen
47270 SAINT-PIERRE DE CLAIRAC

GREECE

George P. Alexandris S.A.
12K. Mavromichali Str.
185 45 PIRAEUS
Phone +30 (0)210 / 41 11 84 15
Telefax +30 (0)210 / 4 11 81 71
4 12 70 58

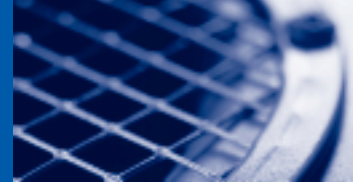
183 Monastiriou Str.
546 27 THESSALONIKI
Phone +30 (0)310 / 5 56 65 04
Telefax +30 (0)310 / 51 18 15

HUNGARY *

Lenze Antriebstechnik
Handelsgesellschaft mbH
2040 BUDAÖRS
Gyár utca 2., P.O.Box 322.
Phone +36 (0)23 / 501-320
Telefax +36 (0)23 / 501-339

ICELAND

see DENMARK



INDIA

Electronic Service:
National Power Systems,
10, Saibaba Shopping Centre
Keshav Rao Kadam Marg,
Off Lamington Rd,
MUMBAI 400 008
Phone +91 22 / 2300 5667, 2301 3712
Telefax +91 22 / 2300 5668

V3 Controls Pvt. Ltd.
1, "Devyani", Next to SBI, Baner ITI Road,
Sanewadi, Aundh,
PUNE 411 007, MS
Phone +91 20 / 25 88 68 62
Telefax +91 20 / 25 88 03 50

Mechanical Service:
Emco Lenze Pvt. Ltd.
1st Floor, Sita Mauli
Madanlal Dhingra Road
Panch Pakhadi, Thane (West)
MAHARASHATRA 400 602
Phone +91 22 / 25 40 54 88
+91 22 / 25 45 22 44
Telefax +91 22 / 25 45 22 33

INDONESIA

P.T. Futurindo Globalsatya
Jl.: Prof. Dr. Latumenten No. 18
Kompleks Perkantoran
Kota Grogol Permai Blok A 35
JAKARTA 11460
Buero 1:
Phone +62 (0)21 / 766 42 34
765 86 23
Telefax +62 (0)21 / 766 44 20
Buero 2:
Phone +62 (0)21 / 567 96 31
567 96 32
Telefax +62 (0)21 / 566 87 50

IRAN

Tavan Rissan Co. Ltd.
P.O.Box. 19395-5177
No. 44, Habibi St.,
South Dastour St.,
Sadr EXP'Way,
TEHRAN 19396
Phone +98 21 / 260 26 55
260 67 66
260 92 99
Telefax +98 21 / 200 28 83

ISRAEL *

Greenshpon Engineering Works LTD
Bar-Lev Industrial Park
MISGAV 20179
Phone +972 4 99 13 18 1
Telefax +972 4 99 13 47 7

ITALY *

Gerit Trasmissioni S.p.A.
Viale Monza 338
20128 MILANO
Phone +39 02 / 270 98.1
Telefax +39 02 / 270 98 290

JAPAN *

Miki Pulley Co., Ltd.
1-39-7 Komatsubara, Zama-city
KANAGAWA 228-8577
Phone +81 (0)462 / 58 16 61
Telefax +81 (0)462 / 58 17 04

LATVIA

see LITHUANIA

LITHUANIA

Lenze UAB
Breslaujos g.3
44403 KAUNAS
Phone +370 37 407174
Telefax +370 37 407175

LUXEMBOURG *

see BELGIUM

MACEDONIA

Lenze Antriebstechnik GmbH
Pretstavništvo Skopje
ul. Nikola Rusinski 3/A/2, 1000 SKOPJE
Phone +389 2 30 90 090
Telefax +389 2 30 90 091

MALAYSIA

D.S.C. Engineering SDN BHD
3A & 3B, Jalan SS21/56B
Damansara Utama
47400, PETALING JAYA, SELANGOR
Phone +60 (0)3 / 77 25 62 43
77 25 62 46
77 28 65 30
Telefax +60 (0)3 / 77 29 50 31

MAURITIUS

Automation & Controls Engineering Ltd
3, Royal Road, Le Hochet, Terre Rouge
MAURITIUS
Phone +230 248 8211
Telefax +230 248 8968

MEXICO

Automatización y Control
de Energía S.A. de C.V.
Av. 2 No. 89 Esq Calle 13
Col. San Pedro de los Pinos
C.P. 03800 MEXICO D.F.
Phone +52 (55)5277/5998
Telefax +52 (55)5277/5937

MOROCCO

GUORFET G.T.D.R
Automatisation Industrielle
Bd Chefchaouni Route 110 km, 11.500
No. 353-Ain-Sabaâ
CASABLANCA
Phone +212/22-35 70 78
Telefax +212/22-35 71 04

NETHERLANDS *

Lenze B.V., Postbus 31 01
5203 DC'S-HERTOGENBOSCH
Ploegweg 15
5232 BR 'S-HERTOGENBOSCH
Phone +31 (0)73 / 64 56 50 0
Telefax +31 (0)73 / 64 56 51 0

NEW ZEALAND *

Tranz Corporation
343 Church Street
P.O. Box 12-320, Penrose
AUCKLAND
Phone +64 (0)9 / 63 45 51 1
Telefax +64 (0)9 / 63 45 51 8

NORWAY *

Dtc- Lenze as
Stallbakken 5, 2005 RAELINGEN
Phone +47 / 64 80 25 10
Telefax +47 / 64 80 25 11

PHILIPPINES

Jupp & Company Inc.
Unit 224 Cityland Pioneer Bldg.,
Pioneer Street, MANDALUYONG CITY
Phone +63 2 / 687 7423
683 0042
683 0047
Telefax +63 2 / 687 7421

POLAND

Lenze-Rotiw Sp. z o.o.
ul. Rożdżeńskiego 188b
40-203 KATOWICE
Phone +48 (0)32 / 2 03 97 73
Telefax +48 (0)32 / 7 81 01 80
Lenze Systemy Automatyki Sp. z o.o.
Ul. Rydygiera 47
87-100 TORUŃ
Phone +48 (0)56 / 6 58 28 00
6 45 34 60
6 45 35 70
Telefax +48 (0)56 / 6 45 33 56

PORTUGAL *

Costa Leal el Victor
Electronica-Pneumatica, Lda.
Rua Prof. Augusto Lessa, 269,
Apart. 52053
4202-801 PORTO
Phone +351-22 / 5 50 85 20
Telefax +351-22 / 5 02 40 05

ROMANIA

see AUSTRIA

RUSSIA

Inteldrive
1 Buhvostova Street 12/11
Korpus 18 Office 322
MOSCOW 107258
Phone +7 (0)095 / 963 96 86
Telefax +7 (0)095 / 962 67 94

SERBIA-MONTENEGRO

see MACEDONIA

SINGAPORE *

see MALAYSIA

SLOVAC REPUBLIC

ECS Sluzby spol. s.r.o.
Staromlynska 29
82106 BRATISLAVA
Phone +421 2 45 25 96 06
+421 2 45 64 31 47
+421 2 45 64 31 48
Telefax +421 2 45 25 96 06

SLOVENIA

Lenze pogonska tehnika GmbH
Zbiljska Cesta 4
1215 MEDVODE
Phone +386 (0)1 361 61 41
Telefax +386 (0)1 361 22 88

SOUTH AFRICA *

S.A. Power Services (Pty) Ltd.
Unit 14, Meadowbrook Business Estates
Jacaranda Ave, Olivedale, Randburg 2158
P.O.Box 1137, RANDBURG 2125
Phone +27(11) 462-8810
Telefax +27(11) 704-5775

SOUTH KOREA *

Hankuk Mechatro Ltd.
Room# 1409
Samhwan officetel 830-295
Beomil-dong, Dong-Gu
PUSAN
Phone +82 (0)51-635-6663
Telefax +82 (0)51-635-6632

SPAIN *

Lenze Transmisiones, S.A.
Mila i Fontanals, 135-139
08205 SABADELL (Barcelona)
Phone +34 93 / 72 07 68 0
Telefax +34 93 / 71 22 54 1

SWEDEN *

Lenze Transmissioner AB
P.O.Box 10 74, Attorpsgatan, Tornby Ind.
58110 LINKÖPING
Phone +46 (0)13 / 35 58 00
Telefax +46 (0)13 / 10 36 23

SWITZERLAND *

Lenze Bachofen AG
Ackerstrasse 45
8610 USTER
Phone +41 (0) 43 399 14 14
Telefax +41 (0) 43 399 14 24
Vente Suisse Romande:
Route de Prilly 25
1023 CRISSIER
Phone +41 (0)21 / 63 72 19 0
Telefax +41 (0)21 / 63 72 19 9

SYRIA

Zahabi Co.
8/5 Shouhadadaa Street
P.O.Box 8262
ALEPPO-SYRIA
Phone +963 21 21 22 23 5
Telefax +963 21 21 22 23 7

TAIWAN *

ACE Pillar Co. Ltd.
No.12, Lane 61, Sec. 1,
Kuanfu Road
San-Chung City
TAIPEI HSIEN
Phone +886 (0)2 / 299 58 40 0
Telefax +886 (0)2 / 299 53 46 6

THAILAND

PackSys Global (Thailand) Ltd.
429 Moo 7, Theparak Road,
Tambol Theparak
Amphur Muang
SAMUTPRAKARN 10270
Phone +66 2 383 5633
Telefax +66 2 383 5637

TUNESIA

AMF Industrielle Sarl
Route de Gremda - Km 0,2
Immeuble El Madina,
Centre Bloc B - 5 ème - apt 52
3002 SFAX
Phone +216 74 403 514
Telefax +216 74 402 516

TURKEY

LSE Elektrik
Elektronik Makina
Otomasyon Mühendislik
San. Ve Tic. Ltd. Şti.
Atatürk mah. Cumhuriyet cad.
Yurt sok. No:7
ÜMRANİYE/İSTANBUL
Phone +90 (0)216 / 316 5138 pbx
Telefax +90 (0)216 / 443 4277
Bursa Address:
Demirtaspaşa Mh.
Ata Sk. Petek Bozkaya Is Merkezi
D Blok No :5 / A
OSMANGAZI / BURSA
Phone +90 (0)224-2733232 pbx
+90 (0)224-2734151
+90 (0)224-2733238
Telefax +90 (0)224-2734150

UKRAINE

SV Altera Ltd.
Ivana Lepshe ave, 4
KIEV, 03067
Phone +38-044 496 18 88
Telefax +38-044 496 18 18

UNITED KINGDOM/EIRE *

Lenze Ltd.
Caxton Road
BEDFORD MK 41 OHT
Phone +44 (0)1234 / 32 13 21
Telefax +44 (0)1234 / 26 18 15

USA *

AC Technology Corp.
630 Douglas Street
UXBRIDGE, MA 01569
Phone +1 508 / 278-9100
Telefax +1 508 / 278-7873

Lenze Corporation
1730 East Logan Avenue
EMPORIA, KS 66 801
Phone +1 620 / 343-8401
+1 888 / 269-2381
Telefax +1 620 / 342-2595
+1 800 / 469-0931

Lenze DETO Drive Systems USA, LLC
5912 Sterling Drive
HOWELL, MI 48843
Phone +1 517 / 586-4057
Telefax +1 517 / 586-4058



* Countries connected to the free expert helpline 008000 24 hours (008000 24 46877)

It's good to know | why we are there for you



"Our customers come first. Customer satisfaction is what motivates us. By thinking in terms of how we can add value for our customers we can increase productivity through reliability."



"The world is our marketplace. We develop and manufacture internationally. Wherever you are in the world, we are nearby."



"We will provide you with exactly what you need – perfectly co-ordinated products and solutions with the right functions for your machines and installations. That is what we mean by 'quality'."



"Take advantage of our wealth of expertise. For more than 50 years we have been gathering experience in various fields and implementing it consistently and rigorously in our products, motion functions and preprepared solutions for industry."



"We identify with your targets and strive towards a long-term partnership which benefits both sides. Our competent support and consultation process means that we can provide you with tailor-made solutions. We are there for you and can offer assistance in all of the key processes."

You can rely on our service. Expert advice is available 24 hours a day, 365 days a year, in more than 30 countries via our international helpline: 008000 24 Hours (008000 2446877).

www.Lenze.com

13036245