

NEW

BP



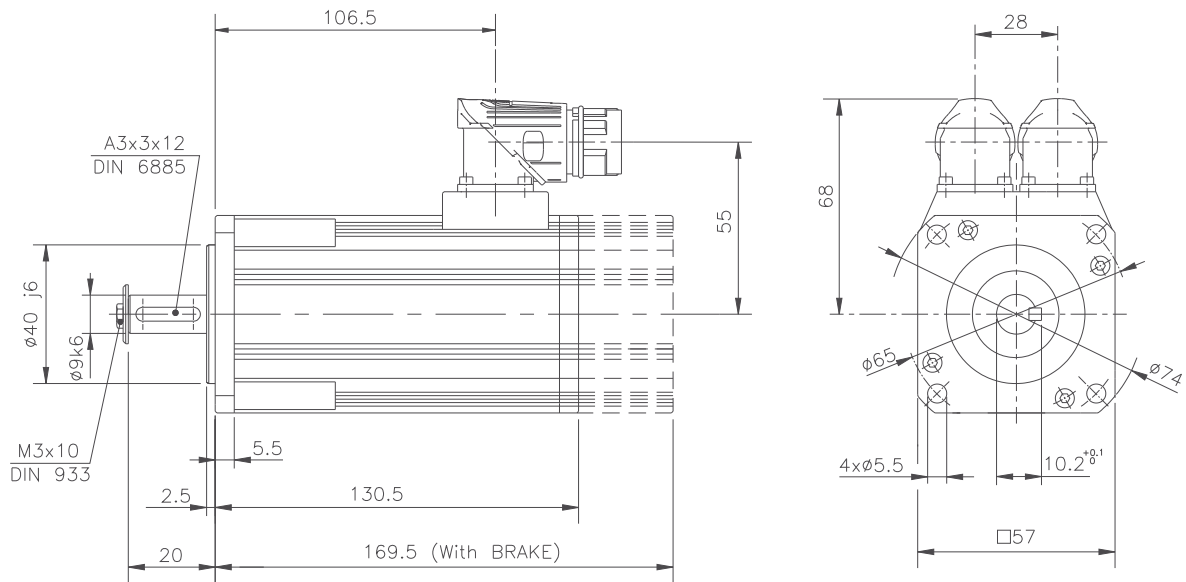
- * Robust
- * High Speed
- * Very Low Maintenance.
- * Brushless Restyling
- * Improved Thermal Efficiency
- * Sealing System Optimized

TECHNICAL SPECIFICATIONS

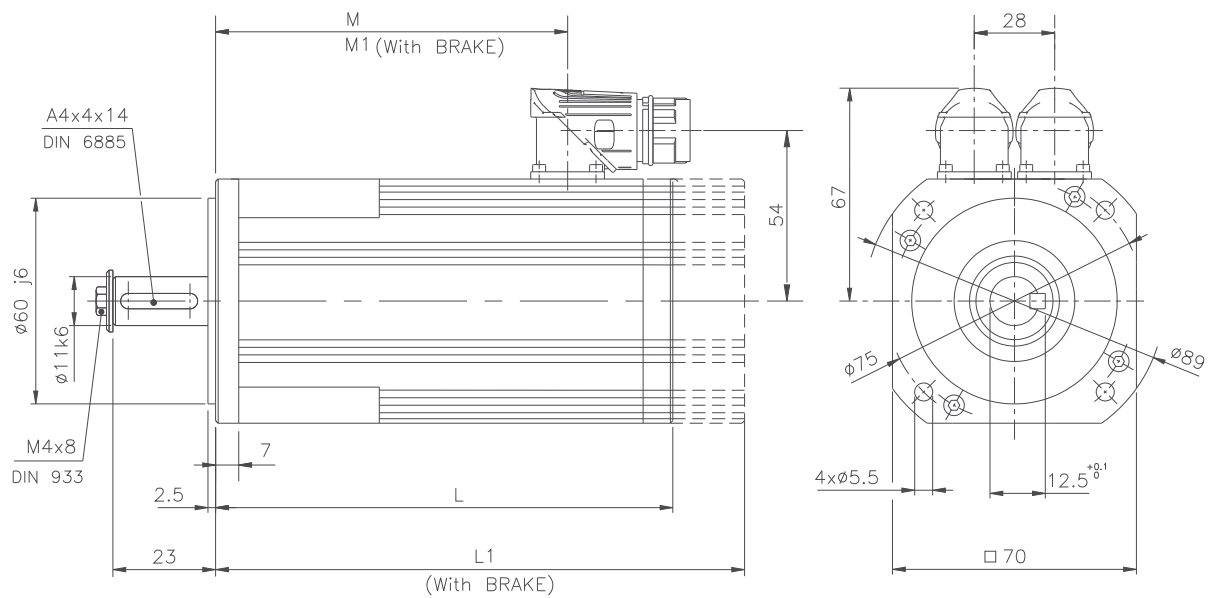
CHARACTERISTICS	SYMBOL	UNITS	BP 53	BP 55	BP 71	BP 72	BP 73	BP 74
MAX SPEED	n	r.p.m	10000	10000	11000	11000	11000	11000
STALL TORQUE (+/-10%)	Ms	Nm	0.39	0.7	0.8	1.9	2.7	3.4
STALL CURRENT (+/-10%)	Is	A	1.40	1.39	2.11	3.96	3.91	4.20
PEAK TORQUE (+/-10%)	Mj	Nm	1.56	2.8	3.2	7.6	10.8	13.6
EMF CONSTANT (+/-5%)	Ke	Vs/rad	0.16	0.29	0.22	0.28	0.4	0.47
TORQUE CONSTANT (+/-5%)	Kt	Nm/A	0.28	0.5	0.38	0.48	0.69	0.81
WINDING RESISTANCE (+/-5%)	R	Ω	14.7	14.7	10.7	5.3	6.4	5.7
WINDING INDUCTANCE (+/-5%)	L	mH	18.6	18.6	7.4	5.4	6.4	6.7
ROTOR INERTIA	J	$\text{kgm}^2 \cdot 10^{-3}$	0.013	0.017	0.027	0.051	0.074	0.097
RADIAL LOAD	Fr	N	250	250	300	338	352	367
AXIAL LOAD	Fa	N	100	100	120	120	120	120
INSULATION			F	F	F	F	F	F
PROTECTION			IP - 65	IP-65	IP-65	IP-65	IP-65	IP-65

DRAWING

BP -50



BP -70



	L	L1	M	M1
BP-71	106	134.5	81	84
BP-72	126	154.5	101	104
BP-73	144	175	119	124.5
BP-74	162	193	137	142.5