

# TSCA 160

## Automatic Sealing/Clipping Machine



### Gain in efficiency

- Sealing and clipping with one machine
- Fully automatic, self-monitoring processes
- For chubs in the calibre range of 38 to 160 mm
- Up to 160 cycles per minute in continuous mode

### Why clip with TSCA 160?

The TSCA Automatic Sealing/Clipping Machine processes flat film from a roll into a ready-to-fill tube which is securely closed by the integral clipping unit. All commonly used films, coated or uncoated, as well as laminates can be processed. The film rolls used can be up to 3,000 metres long.



### Advantages sealing

- Significant cost reduction through moderately priced flat roll stock film vs. shirred casings
- Continuous production (reloading of film vs. up to 100 times reloading of casings)
- Optimum use of material due to minimum overlap of film at the seam
- Considerably less waste compared to cartridges and other packaging
- Less storage area required for input stocks
- Shorter fitting times for a wide variety of pack sizes, thanks to quick-change format set
- Extended product shelf life
- Greater flexibility in marking due to in-line printing
- Continuous adjustment of temperature and sealing speed with

Excellence in Clipping

**poly-clip**<sup>®</sup>  
SYSTEM

# TSCA 160

## Automatic Sealing/Clipping Machine



The TSCA SAFETY TOUCH panel: simple and clearly laid out



Product marking by printing directly onto the film

ance to aggressive cleaning solutions

### + Optional equipment

- Automatic looper GSA 20, loop left or right
- Consumption-oriented central lubrication for maximum reliability and service life
- Pneumatic casing brake
- Print mark control for centred printing format
- Simple and safe marking of batches during production by continuous printing on flat film using an integral printer, e.g. ink jet, hot stamping, thermal transfer
- Strip sealing for processing 2-layer film
- Air-free loose filling of shaped products with overspreading; servo-supported
- Conveyor belts, variants to suit product and roller extension
- Vacuum system for air-free filling of large calibres
- Splice detection for attached films
- USB port for data import and export
- WS Food Standard interface for operational data acquisition
- Intelligent Filler Clipper (IFC) Interface upon request

### ✓ Consumables

R-ID Clip: M, L, XL

### ⏻ Function and operation

The TSCA consists of a synchronised automatic sealing machine and double-clipper. This provides a continuous production line when a stuffer is used at the front end. Both production processes are operator-friendly and are easily programmable via the central SAFETY TOUCH panel. The PC control allows a very fast and accurate signal processing.

SAFETY TOUCH during continuous production

### ✓ Advantages clipping

- A unit that guarantees tight sealing of film and secure clip closure
- Simple machine operation with SAFETY TOUCH – shockproof, 10" large and easy to clean
- Highest productivity; product parameters can be recalled from the SAFETY TOUCH recipe management
- Automatic, self-monitoring processes for maximum productivity by recognition of clip size, die, size of separator hole and clip pressure setting
- R-ID clip – tighter clip closure, even up to bacteria-proof, depending on the film

- Sensors monitoring the end of film and of clip supply on the reel
- Very smooth running at high cycle speeds, even during continuous operation
- Portioning or length filling
- Short, clean sausage tails due to voiding separator
- Product-specific speed control
- Training, handling, maintenance and service simple and user-friendly

### ✓ Quality and hygiene

- Increased hygiene due to the use of flat films instead of watered casings
- Easy to clean, closed system, only one part product-carrying (stuffing horn)
- Stainless steel provides resist-

# ISCA TSCA 160

## Automatic Sealing/Clipping Machine

On the SAFETY TOUCH display the diagnostic system provides a direct and clear indication of the machine's operational status as well as an analysis of filling and clipping times. The unit is operated via six membrane keys on the control panel. The film roll is placed on a self-tensioning roll carrier. Uniform inlet tension of the film is achieved by the roller guide system. The forming shoulder forms the flat film around the stuffing horn into an open tube. The tube is then sealed lengthways with minimal overlap by heat sealing. For continuous production an integrated control circuit ensures that the automatic clipper always has sufficient shirred film available.



### Clip system solutions

The complete system of clipping machine, clips and loops from a single source ensures efficient and trouble-free production. Original clips from Poly-clip System guarantee the highest quality. Manufacturing is subject to the most rigorous quality controls. Certified in accordance with ISO 22000 and ISO 9001 they are designed to suit the production process perfectly. With its food-proof safety coating certified by the SGS INSTITUT FRESENIUS, Poly-clip SAFE-COAT technology ensures trouble-free production and if required a no-worry product warranty. Poly-clip System is the world's leading provider of clip system solutions.

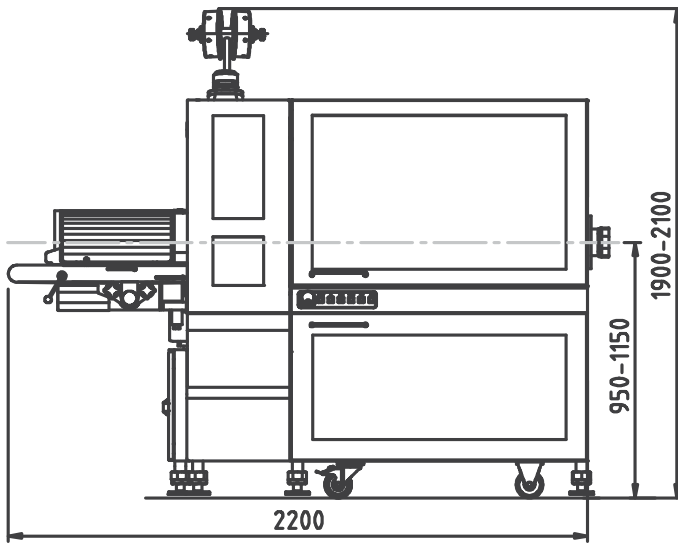
The hot-sealing station of the TSCA provides reliable sealing.



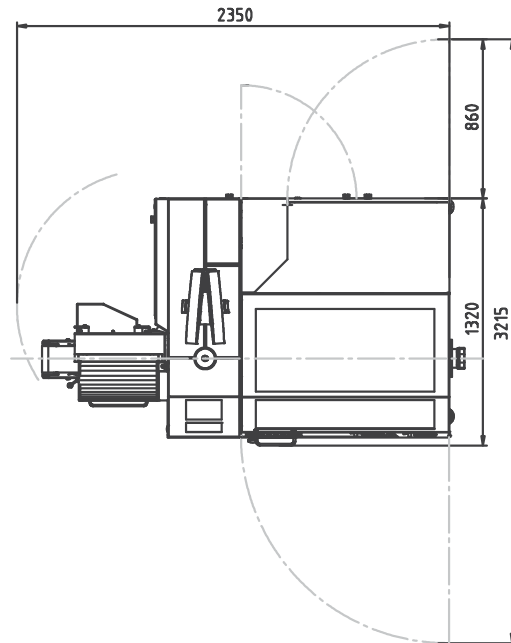
# TSCA

# TSCA 160

## Automatic Sealing/Clipping Machine



Front view (Dimensions in mm)



Top view (Dimensions in mm)

### Technical data

Width	2,200 mm
Depth	1,320–3,215 mm
Height	1,900–2,100 mm
Weight	1,375 kg
Three-phase current connection	200–240 VAC, 380–460 VAC, 50/60 Hz
Power input	6.8 kW
Fuse connection	16 A
Compressed air	5–7 bar / 0,5–0,7 MPa
Air consumption	2.5 NL/cycle
Spreading	26, 30, 36, 44 mm
Total spreading up to	110 mm

Dimensions, weight and consumption values vary depending on the equipment and/or machine configuration.

Poly-clip System GmbH & Co. KG

Niederckerstraße 1 • 65795 Hattersheim a. M. • Germany  
Tel. +49 6190 8886-0 • contact@polyclip.de • www.polyclip.com

**Excellence in Clipping**

