

Rex[®]

TableTop[®]

Chains



Rexnord
████████████████████

SALES OFFICES AND / OR DISTRIBUTION CENTRE

EUROPE

AUSTRIA: Wien
DENMARK: Copenhagen
FRANCE: Paris, Lyon
GERMANY: Betzdorf,
Dusseldorf, Siegen, Stuttgart
GREAT BRITAIN: Warrington,
ITALY: Correggio (RE)
NETHERLANDS: AC 's-Gravenzande

NORTH AMERICA

CANADA: Edmonton, Montreal,
Toronto, Vancouver
UNITED STATES: Atlanta (GA),
Columbus (OH), Dallas (TX),
Fresno (CA), Grafton (WI)
(14 regional sales offices
throughout the U.S.A.)

LATIN & SOUTH AMERICA

Headquarters: Miami (FL)-USA
MEXICO: Cordoba, Guadalajara,
Mexico City, Queretaro
BRAZIL: Sao Leopoldo, Sao Paulo

ASIA & FAR EAST

AUSTRALIA: Sydney
SINGAPORE: Singapore



Registered Trade marks :

Rex[®] **TableTop**[®] **Rex - OPTI-Plus**[®] **Rex - HP**[™] **Rex - LF**[®] **CurveMaster**[™]

Reproduction, even partial, of this catalogue is illegal.

Rexnord is continually investigating methods of improving products and introducing new technology, we reserve the right to modify data and features shown in the catalogue.

For further technical information please apply to our Technical Dept.

Since 1936, when **Rexnord** had developed and introduced the first version of **TableTop**[®] conveyor chains, they have been responsible for most of the advances in the technology of conveyor chains and associated products. Special chains have been developed for conveying small pharmaceutical vials to heavy industrial parts.

The **Rexnord TableTop**[®] chains, today, are finding their way in all sorts of different industries, such as soft drinks, brewing, dairy, packaging, parts handling, food processing and container handling. **Rexnord** has established partnerships with the major original equipment manufacturers on a worldwide scale.

Rexnord products guarantee a worldwide service and availability. Products are being manufactured at different locations and distributed via numerous distribution centres throughout the world. Further several teams of engineers, strategically located are at our customer's disposal for application assistance.



Correggio (Italy)
Distribution



Betzdorf
(Germany)



Correggio (Italy)
Production



Sao Leopoldo
(Brasil)



- State of the art equipment and technology
 - Continuous quality improvement
- Widest range of products developed in close collaboration with leading original equipment manufacturers
 - Continuous training of employees in all sectors
 - High quality level
 - Dedicated application engineering
- Use of FDA approved materials and development of products, certified by USDA
 - ISO 9001 Certification



TableTop®

**QUALITY IS A
REXNORD
COMMITMENT**



WITH THESE ELEMENTS REXNORD HAS BECOME THE WORLDWIDE LEADER IN THE PRODUCTION AND DEVELOPMENT OF PRODUCTS FOR THE CONVEYOR INDUSTRY

Rex - OPTI-Plus®

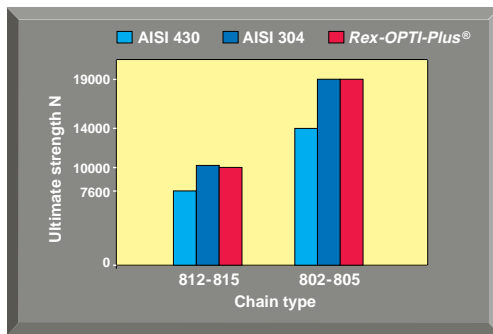
Special-Alloy Stainless Steel

In collaboration with the steel industry, Rexnord has developed a special heat treated alloy of chrome steel with nickel. This results in excellent strength properties, as well as improved corrosion-resistance.

The most outstanding properties of *Rex-OPTI-Plus®* are its high resistance to wear, its ground finish, and 40% higher strength.

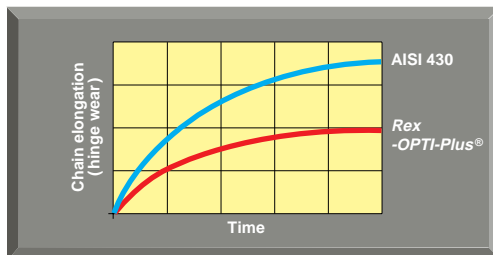
In addition no "break in" is required thus insuring maximum performance from startup. *Rex-OPTI-Plus®* is the preferred choice for new or replacement installations.

Load carrying capacity



Rex-OPTI-Plus® has a 40% higher load carrying capacity than standard ferritic alloys.

Longer sliding wear life



Rex - HP™

High Performance

Longer sliding wear life, reduced chain elongation, lowest available friction. The continuous search of Rexnord for improvement of their product has resulted in the development of a new, patented, material: *Rex HP™ High Performance*.

This new material has the lowest coefficient of friction, available on the market.

This material is especially suitable for applications, where external lubrication is not possible.

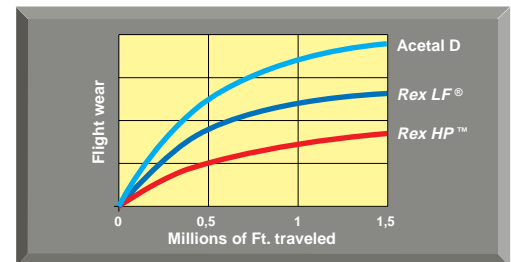
Operating temperature of *Rex HP™* material:

in air (- 40 to + 80 °C)

in hot water (+ 65 °C)

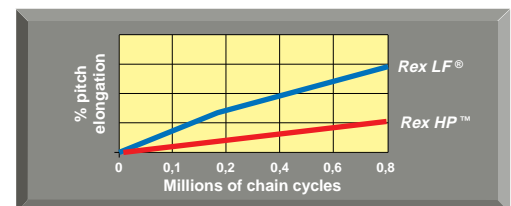
Colour: dark grey.

Longer sliding wear life*



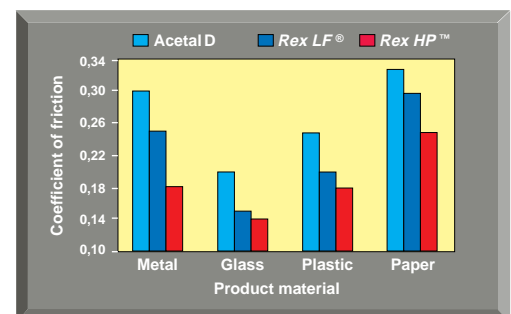
Rex HP™ high performance resin can increase wear life up to 40%. Extensive testing has proven that new HP material can reduce wear as much as 40% over acetal and 25% over *Rex LF®* acetal

Reduced chain elongation*



New technology virtually eliminates break-in stretch and reduces elongation due to wear. Through extensive testing, Rexnord has achieved the optimum design to minimize break-in wear while maximizing overall performance.

Lowest available friction*



* = Graph shows comparative results at high-speed, dry operation.

Rex - LF[®]

Acetal Low Friction

Rex LF[®] is a mixture of acetal based resins. Improves mechanical characteristics and guarantees longer life in heavy duty conditions (heavy products, long distances and high operating speed).

Operating temperatures:
in air (- 40°C a + 80°C)
in hot water (+ 65°C)

Inflammability: 94 HB.

Colour: LF (brown), WLF (white).

AS

Conductive resin

Good electrical conductivity.

Reduces the accumulation of electrostatic charges.

Lower mechanical characteristics.

Load carrying capacity is 40% lower than Rex LF[®].

Lubrication system is recommended for sideflexing layouts.

The use of chain guide made of conductive material (steel, stainless steel or conductive UHMWPE) is recommended.

Operating temperatures:
in air (+ 60°C)
in hot water (+ 50°C)

Inflammability: 94 HB.

Colour: black.

It is recommended to always consult Rexnord prior to installation.

WPP

Reinforced polypropylene chemical agents resistant

Offers a mechanical resistance 20% higher than ordinary PP polypropylene.

Has a higher dimensional stability (the chain flatness characteristics are enhanced).

Lubrication system is recommended for sideflexing layouts.

Operating temperatures:
in air (+ 5°C a + 115°C)
in hot water (+ 115°C)

Inflammability 94 HB.

Colour: white

WRB

Wear resistant resin

To be used in abrasive environments (casting, machined steel components, sand, glass, sugar).

It offers a wear life 5 times longer than acetal resin.

The mechanical characteristics are similar to those of acetal resin.

The chain is not suitable to be used in wet environments (can swell). Must use oil lubricants.

Operating temperatures:
in air (- 5°C a + 100°C)

Inflammability: 94 HB.

Colour: black.

PC

Polycarbonate

Highly resistant to impact and to high temperatures.

Maintains its rigidity and other mechanical characteristics up to 130°C.

It is used only for PlateTop series 1873 chains. In case of inclined layouts the rubber insert can be glued to the top slats.

Operating temperatures:
in air (+130°C)

Inflammability: 94 V-2.

Colour: grey.

Thermoplastic sprockets

PA

Polyamide

High resistance to wear and impact.
Excellent dimensional stability even in relatively high temperatures.
Good resistance to chemicals.
Operating temperatures:
in air (0°C a + 80°C)
in hot water (+ 65°C)
Inflammability: 94 HB.
Colour: black.

PAFV

Reinforced polyamide

Offers a better resistance to wear and to impact than PA resin. Has a higher dimensional stability.
Offers an increased operating temperature.
Operating temperatures:
in air (- 5°C a + 120°C)
in hot water (+ 100°C)
Inflammability: 94 HB.
Colour: black.

Glistamide®

Special resin

Compared with polyamide PA it offers increased mechanical characteristics, better wear resistance and reduced coefficient of friction.
Operating temperatures:
in air (- 5°C a + 80°C)
in hot water (+ 90°C)
Inflammability: 94 V-2.
Colour: black.

Rubbers

PUR

Thermoplastic rubber

Hardness 90 Shore A.
High wear resistance.
Operating temperatures:
in air (- 40°C a + 100°C)
in hot water (+ 60°C)
Colour: dark grey.

SEBS

SEBS

Thermoplastic rubber

Available in two hardness types:
45 Shore A (white)
60 Shore A (light grey)
The lower hardness type has increased anti-slip properties, but reduced wear resistance.
Operating temperatures:
in air (- 40°C a + 100°C)

NBR

Nitrile rubber

Hardness 60 Shore A.
Operating temperatures:
in air (- 35°C a + 100°C)
Colour: black.

EPDM

Rubber

Hardness 40 Shore A.
Operating temperatures:
in air (- 50°C a + 150°C)
Colour: black.

Certification FDA & USDA

FDA

American institute (Food and Drug Administration), responsible for the certification of materials to be in contact with food.
For direct contact with food the following materials have been approved:

- AISI 304
- **Rex -HP™**, **Rex -WLF®**

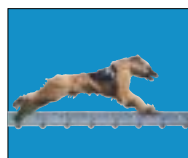
USDA

United States Department of Agriculture, responsible for the approval of components and machinery in the meat, poultry and dairy industries.

The following chains have been approved :
843, 845, 963, 879, 879 TAB, 880, 880 TAB, 882 TAB, 1843, 1873, 2873, 3873, 1700, 1701, 1702.

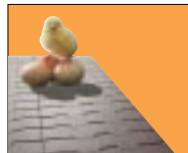
Contents

Steel TableTop® and Plate Top Chains



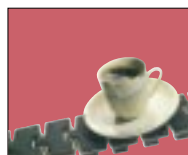
page 8/15

Thermoplastic TableTop® and Plate Top Chains



page 16/29

Chains for Incline Conveying



page 30/37

Gripper Chains



page 38/43

Low Backline Pressure Chains



page 44/51

Multiflex Chains



page 52/59

Case Conveyor Chains



page 60/61

Special Chains



page 62/67

***Sprockets and Idler Wheels
Corner Tracks and Straight Tracks***



page 68/100

Rex - OPTI-Plus[®] Chains

- *Exclusive heat treated material*
- *Improved ground surface finish*
- *Reduced gap*
- *Improved all around flatness*
- *Improved harder pin material*
- *High wear resistance*
- *Higher working load*
- *Longer life and better product handling*

*Steel
TableTop[®]
and
Plate Top
Chains*



Steel TableTop® Chains

Straight Running

Steel TableTop® chains are especially suitable for:

- bottle transport (bottles in all shapes and sizes!)
- parts handling like bearings or gears

The above are just a few examples. Rexnord steel TableTop® chains can transport virtually anything!

Double hinge TableTop® chains, for especially high demands with regard to

- strength
- wear resistance

Rex - OPTI-Plus® = 40% higher strength, ground finish

Straight Running: Single Hinge, 38.1 mm \triangleq 1 1/2" Pitch

Rexnord Chain No.	Finish μm	Plate Material	Width K mm	Plate Gap G mm	Radius min. Rd mm	Weight kg/m
S815-K325 S815-K400 S815-K450 S815-K600 S815-K750		Carbon Steel Heat Treated	82,5 101,6 114,3 152,4 190,5	1,8	150	2,6 3,0 3,3 4,2 5,1
SS812-K325	0,3	Stainless Steel Material No. 1.4016	82,5	2,8	80	2,6
SSR812-K325 SSX812-K325	0,3 0,18	Rex - OPTI-Plus®	82,5	2,8	80	2,6 2,6
SSY812-K350	0,18		88,9	1,6	150	2,7
SSC812-K250	0,3		63,5	1,6	150	2,4
SSC812-K263			66,8			2,4
SSC812-K300			76,2			2,5
SSC812-K325			82,5			2,6
SSC812-K330*			83,8			2,6
SSC812-K350			88,9			2,7
SSC812-K400			101,6			3,0
SSC812-K450			114,3			3,3
SSC812-K600		152,4	4,2			
SSC812-K750		190,5	5,1			
SS815-K325 SS815-K400 SS815-K450 SS815-K600 SS815-K750		Austenitic Steel Chrom Nickel 18/8	82,5 101,6 114,3 152,4 190,5	1,8	150	2,6 3,0 3,3 4,2 5,1

* = On request

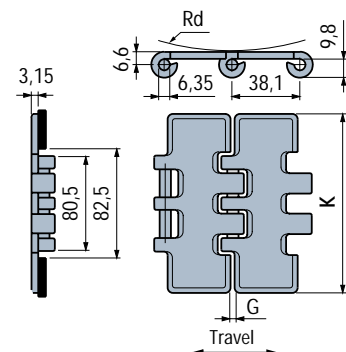
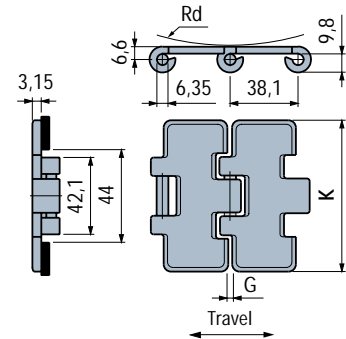
Pin material for S 815: case hardened steel.

Pin material for SS 812: stainless steel AISI 304.

Pin material for all other chains: wear resistant stainless steel.

Standard length: 80 pitches 10 ft (3.048 m)

See page 69/70/71



Straight Running: Double Hinge, 38.1 mm \triangleq 1 1/2" Pitch

Rexnord Chain No.	Finish μm	Plate Material	Width K mm	Plate Gap G mm	Radius min. Rd mm	Weight kg/m
SS802-K750	0,6	Stainless Steel Material No. 1.4016	190,5	1,8	150	5,8
SSC802-K750	0,3	Rex - OPTI-Plus®	190,5	1,6	150	
SSC805A-K750		Austenitic Steel Chrom Nickel 18/8	190,5	1,8	150	

Pin material for SSC 805: stainless steel AISI 304.

Pin material for all other chains: wear resistant stainless steel.

Standard length: 80 pitches 10 ft (3.048 m)

See page 72/73



Series 512. Chains with one inch pitch are recommended for all applications involving the transport of small-sized products. A further advantage is their compact design.

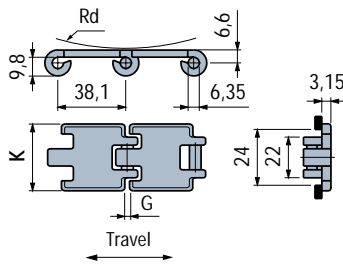
Steel TableTop[®] Chains

Straight Running

Rex - OPTI-Plus[®] = 40% higher strength, ground finish



SSR 812-K 125/175



Straight Running: Single Hinge, 38.1mm \triangleq 1 1/2" Pitch, Narrow Design

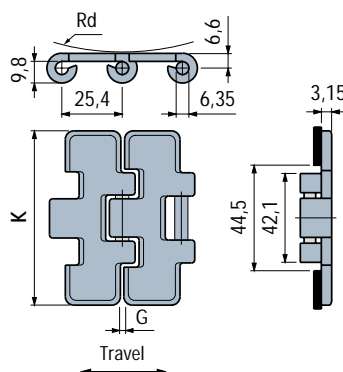
Rexnord Chain No.	Finish μm	Plate Material	Width K mm	Plate Gap G mm	Radius min. Rd mm	Weight kg/m
SSR 812-K 125	0,3	Rex - OPTI-Plus[®]	32,0	2,8	80	1,1
SSR 812-K 175			44,5			1,3

Pin material: wear resistant stainless steel
Standard length: 80 pitches 10 ft (3.048 m)

See page 74/75



512



Straight Running: Single Hinge, 25.4mm \triangleq 1" Pitch

Rexnord Chain No.	Finish μm	Plate Material	Width K mm	Plate Gap G mm	Radius min. Rd mm	Weight kg/m
SSC 512-K 217	0,6	Cr-Ni Steel	55,0	1,6	100	2,29
SSC 512-K 236			60,0			2,41
SSC 512-K 250			63,5			2,49
SSC 512-K 283			72,0			2,65
SSC 512-K 325			82,5			2,86
SSC 512-K 350			88,9			3,01
SSC 512-K 400			101,6			3,26

Pin material: wear resistant stainless steel
Standard length: 120 pitches 10 ft (3.048 m)

See page 73



Steel TableTop[®] Chains

Sideflexing

Naturally, the sideflexing version has same excellent properties as the straight running chain.

881



Sideflexing: Single Hinge, 38.1mm \triangleq 1 1/2" Pitch

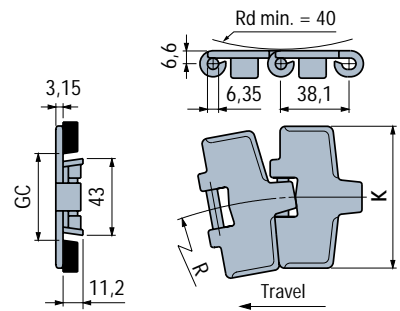
Rexnord Chain No.	Plate Material	Width K mm	Radius min. R mm	GC		Weight kg/m
				Straight mm	Curve mm	
S881-K325	Carbon Steel	82,5	457	44,5	41,4	2,9
S881-K450	Heat Treated	114,3	610			3,6

Pin material: case hardened steel
Standard length: 80 pitches 10 ft (3.048 m)

See page 93/97



See page 74/75



The higher demands placed on modern high-performance lines with regard to efficiency, safety and noise reduction led logically to the development of a new generation of sideflexing chains for:

- chains with bevelled guide shoes
- chains with hold-down tabs.

Its flatness and surface quality with circumferential chamfer as well as its distortion-free welding make this chain especially suitable for pressureless combiners.

The altered position and design of the hold-down tabs produce a self-cleaning effect and considerable increased stability.

Steel TableTop[®] Chains

Sideflexing

8811



Rex - OPTI-Plus[®] = 40% higher strength, ground finish

Sideflexing: Single Hinge, 38.1mm \triangleq 1 1/2" Pitch

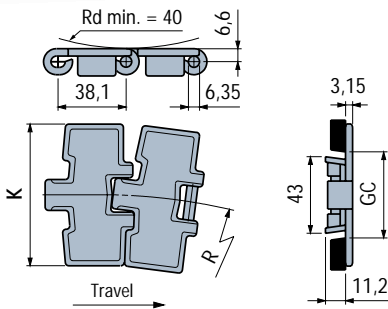
Rexnord Chain No.	Finish μm	Plate Material	Width K mm	Radius min. R mm	GC		Weight kg/m
					Straight mm	Curve mm	
SSC8811-K325	0,3	Rex-OPTI-Plus[®]	82,5	457	44,5	41,4	2,9
SSC8811-K350			88,9	500			3,1
SSC8811-K450			114,3	610			3,6
SSC8811-K750			190,5	610			5,3
SSX8811-K325	0,18		82,5	457			2,9

Pin material: wear resistant stainless steel
Standard length: 80 pitches 10 ft (3.048 m)

See page 93/97



See page 74/75



8811 TAB



Sideflexing: Single Hinge, 38.1mm \triangleq 1 1/2" Pitch

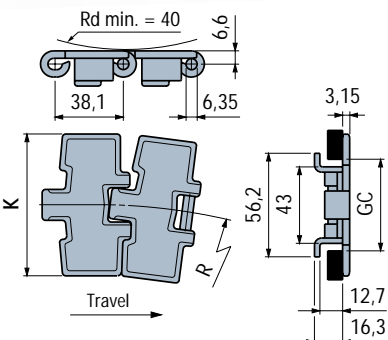
Rexnord Chain No.	Finish μm	Plate Material	Width K mm	Radius min. R mm	GC		Weight kg/m
					Straight mm	Curve mm	
SSC8811 TAB-K325	0,3	Rex-OPTI-Plus[®]	82,5	457	46	44,2	3,1
SSC8811 TAB-K350			88,9	500			3,3
SSC8811 TAB-K450			114,3	610			3,8
SSC8811 TAB-K750			190,5	610			5,5
SSX8811 TAB-K325	0,18		82,5	457			3,1

Pin material: wear resistant stainless steel
Standard length: 80 pitches 10 ft (3.048 m)

See page 94/97



See page 74/75



Steel TableTop[®] Chains

Sideflexing

Rex - OPTI-Plus[®] = 40% higher strength,
ground finish

Magnetic System

Sideflexing: Single Hinge, 38.1mm \triangle 1 1/2" Pitch

Rexnord Chain No.	Finish μm	Plate Material	Width K mm	Radius min. R mm	GC		Weight kg/m
					Straight mm	Curve mm	
SSC881 M - K325	0,3	Rex - OPTI-Plus[®]	82,5	457	45	44,2	2,5
SSC881 M - K330*			83,8	500			2,6
SSC881 M - K450			114,3	500			3,2
SSC881 M - K750			190,5	500			4,9
SSX881 M - K325	0,18		82,5	457			2,5

* = On request

Pin material: wear resistant stainless steel
Standard length: 80 pitches 10 ft (3.048 m)

See
page 95



See
page 69/70/71

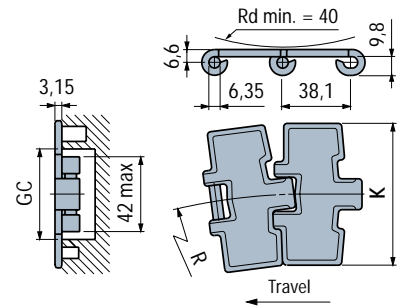


Plate top chains with steel top plates are especially suitable for heavy loads, long distances and high speeds.

The chain consists of a base roller chain with steel plates welden on.

Similarly to the TableTop® chains, various steel alloys are available for the plates.

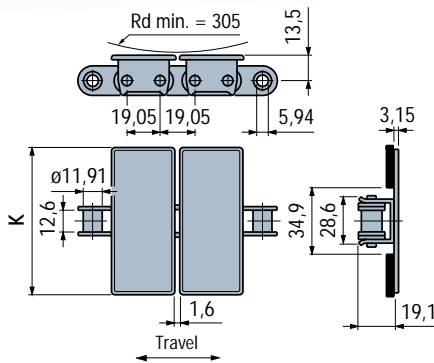
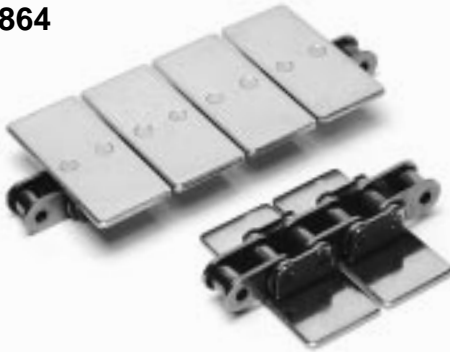
The gap between the plates is 1,6 mm wide.

Plate Top Chains

With Steel Top Plates

Straight Running

1864



Straight Running: Steel and Stainless Steel Top Plates, 19.05 mm \triangleq 3/4" Pitch

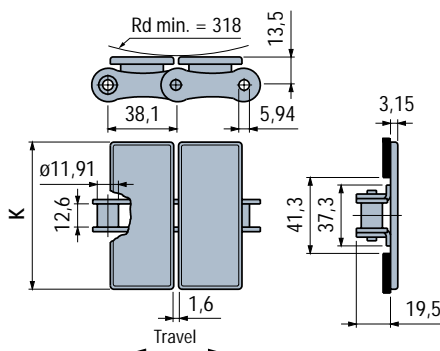
Rexnord Chain No.	Material		Width K mm	Weight kg/m
	Base Chain	Top Plate		
1864-K325	Steel	Steel	82,5	3,33
1864-K450			114,3	4,0
1864-K600			152,4	5,33
1864-K750			190,5	5,68
1864A-K325	Steel	Stainless Steel	82,5	3,33
1864A-K450			114,3	4,0
1864A-K600			152,4	5,33
1864A-K750			190,5	5,68
1864SS-K325	Stainless Steel	Stainless Steel	82,5	3,33
1864SS-K450			114,3	4,0
1864SS-K600			152,4	5,33
1864SS-K750			190,5	5,68

Standard length: 160 pitches 10 ft (3.048 m)

See page 84



866



On request

Straight Running: Steel and Stainless Steel Top Plates, 38.1 mm \triangleq 1 1/2" Pitch

Rexnord Chain No.	Material		Width K mm	Weight kg/m
	Base Chain	Top Plate		
866-K325	Steel	Steel	82,5	3,11
866-K450			114,3	3,77
866-K600			152,4	4,74
866-K750			190,5	5,37
866A-K325	Steel	Stainless Steel	82,5	3,11
866A-K450			114,3	3,77
866A-K600			152,4	4,74
866A-K750			190,5	5,37
866SS-K325	Stainless Steel	Stainless Steel	82,5	3,11
866SS-K450			114,3	3,77
866SS-K600			152,4	4,74
866SS-K750			190,5	5,37

Standard length: 80 pitches 10 ft (3.048 m)

See page 84



Plate Top Chains

With Steel Top Plates

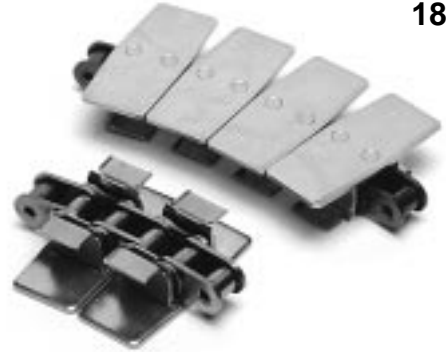
Sideflexing

The sideflexing plate top chain utilizes the advantage of a precision built base roller chain with "snap on" top plates to form a continuous flat conveying surface.

Hold-down tabs are used to provide positive retention in curves and inclines.

A special version, the 4874 chain, is also available with angled top plates on one side. Although this chain can only sideflex to one side, the special top plates minimize the flight gap opening.

1874



Sideflexing: Steel and Stainless Steel Top Plates, 19.05 mm \triangleq 3/4" Pitch

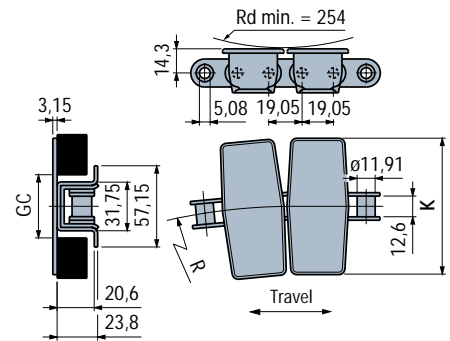
Rexnord Chain No.	Material		Width K mm	Radius min. R mm	GC		Weight kg/m
	Base Chain	Top Plate			Straight mm	Curve mm	
1874-K325 1874-K450 1874-K600 1874-K750	Steel	Steel	82,5 114,3 152,4 190,5	381 381 457 610	34,1	34,6	4,2 4,8 5,7 6,4
1874A-K325 1874A-K450 1874A-K600 1874A-K750	Steel	Stainless Steel	82,5 114,3 152,4 190,5	381 381 457 610	34,1	34,6	4,2 4,8 5,7 6,4
1874SS-K325 1874SS-K450 1874SS-K600 1874SS-K750	Stainless Steel	Stainless Steel	82,5 114,3 152,4 190,5	381 381 457 610	34,1	34,6	4,2 4,8 5,7 6,4

Standard length: 160 pitches 10 ft (3.048 m)

See page 94



See page 84



4874



Sideflexing: Steel and Stainless Steel Top Plates, 19.05 mm \triangleq 3/4" Pitch

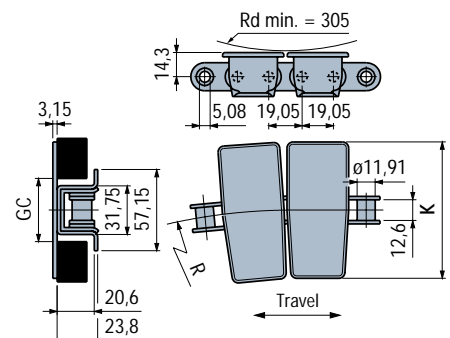
Rexnord Chain No.	Material		Width K mm	Radius min. R mm	GC		Weight kg/m
	Base Chain	Top Plate			Straight mm	Curve mm	
4874A-K325 4874A-K600 4874A-K750	Steel	Stainless Steel	82,5 152,4 190,5	381 457 610	34,1	34,6	4,32 5,8 6,55
4874SS-K325 4874SS-K600 4874SS-K750	Stainless Steel	Stainless Steel	82,5 152,4 190,5	381 457 610	34,1	34,6	4,32 5,8 6,55

Standard length: 160 pitches 10 ft (3.048 m)

See page 94



See page 84



Rex-HP™ Chains

- lowest friction coefficient of any chain material
- 40% longer flight wear life than plain acetal
- 25% longer flight wear life than **Rex-LF®** acetal
- reduced chain wear elongation
- reduced product backline pressure
- lower horsepower requirements

Thermo-
plastic
TableTop®
and
Plate Top
Chains



Thermoplastic TableTop® Chains

Straight Running

Thermoplastic TableTop® chains are especially suitable for transporting sensitive products such as cans, cartons, or PET bottles.

These chains are distinguished by their low noise level, as there are no metal-to-metal contacts.

Plastic pins also available upon request with minimum order quantity, for LF and WPP chains.

820 chains also available in acetel grey upon request and minimum order quantity.

Rex - HP™ = High Performance

Plate thickness 4 mm

Straight Running: Single Hinge, 38.1mm \triangleq 1½" Pitch

Rexnord Chain No.	Plate Material	Width			Weight kg/m
		K mm	TT mm	h mm	
LF820-K250	Rex - LF® (Brown)	63,5	4	9,5	0,73
LF820-K325		82,5			0,83
LF820-K343		87			0,85
LF820-K350		88,9			0,87
LF820-K400		101,6			0,95
LF820-K450		114,3			1,03
LF820-K600		152,4			1,25
LF820-K750	190,5	1,47			
HP820-K325	Rex - HP™ (Dark grey)	82,5	4	9,5	0,83
HP820-K343		87			0,85
HP820-K350		88,9			0,87
HP820-K400		101,6			0,95
HP820-K450		114,3			1,03
HP820-K600		152,4			1,25
HP820-K750		190,5			1,47

Special materials

AS820-K325	Anti-static AS* (Black)	82,5	4	9,5	0,83
AS820-K350		88,9			0,87
AS820-K400		101,6			0,95
AS820-K450		114,3			1,03
AS820-K600		152,4			1,25
AS820-K750		190,5			1,47
WRB820-K325	Wear resistant WRB (Black)	82,5	4	9,5	0,83
WRB820-K400		101,6			0,95
WRB820-K450		114,3			1,03
WRB820-K750		190,5			1,47
WPP820-K325	Reinforced polypropylene WPP** chemical resistant (White)	—	—	—	0,70
WPP820-K350		—			0,74
WPP820-K400		—			0,82
WPP820-K450		—			0,90
WPP820-K600		—			1,05
WPP820-K750		—			1,20

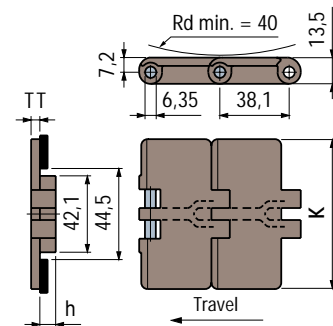
Pin material: wear resistant stainless steel (only for WPP 820: stainless steel AISI 316).

* = Minimum order 100 metres.

** = WPP chain dimensions are larger than those indicated in the drawing. For certified dimensions refer to our Technical Department. Ask for Rexnord assistance for the use of sprockets. Minimum order 100 metres.

Standard length: 80 pitches 10 ft (3.048 m)

See
page 76/77



820

The design of links allows overlapping of top plates, thus creating a flat and continuous surface.

Series 831: Differs from the 820 series in the greater thickness of plates (4,8 mm). Wear life increased by 40%.

Allows flush installation side by side of chain series:

821, 879, 879TAB, 882TAB.

821 chains also available in acetal grey upon request and minimum order quantity.

Thermo-plastic TableTop® Chains

Straight Running

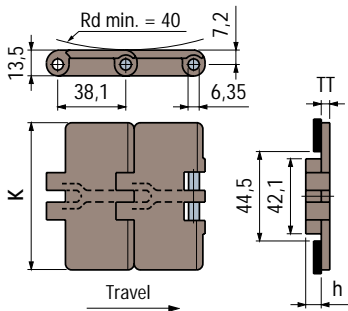
831



Rex - HP™ = High Performance

Plate thickness 4,8 mm

Straight Running: Single Hinge, 38.1mm \triangleq 1 1/2" Pitch



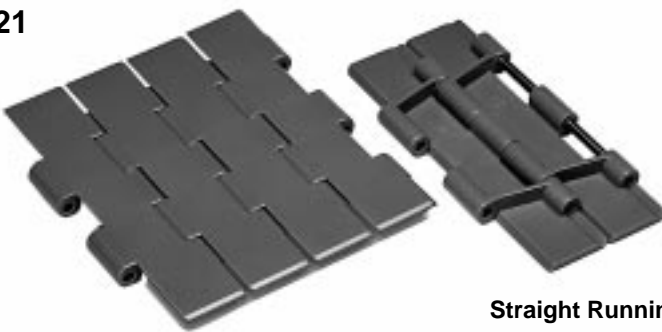
Rexnord Chain No.	Plate Material	Width K mm	Thickness		Weight kg/m
			TT mm	h mm	
LF831-K325 LF831-K450 LF831-K750	Rex-LF® (Brown)	82,5 114,3 190,5	4,8	8,7	1,00 1,24 1,76
HP831-K325 HP831-K450 HP831-K750	Rex-HP™ (Dark grey)	82,5 114,3 190,5	4,8	8,7	1,00 1,24 1,76

Pin material: wear resistant stainless steel.
Standard length: 80 pitches 10 ft (3.048 m)

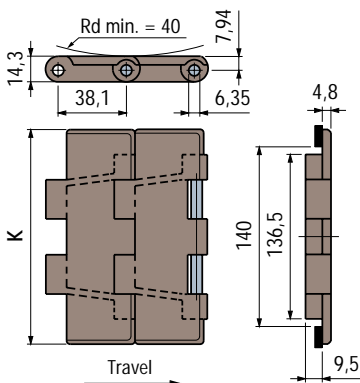
See page 76/77



821



Straight Running: Double Hinge, 38.1 mm \triangleq 1 1/2" Pitch



Rexnord Chain No.	Plate Material	Width K mm	Weight kg/m
HP821 K 750 HP821 K 1000 HP821 K 1200	Rex-HP™ (Dark grey)	190,5 254 304,8	2,50 2,95 3,25

Pin material: wear resistant stainless steel.
Standard length: 80 pitches 10 ft (3.048 m)

See page 78/79



Thermo- plastic TableTop® Chains

Sideflexing

Chain equipped with side holding system "BEVEL" type on curved runs. Can be lifted on straight runs for cleaning and maintenance. No possibility of jamming of broken glass.

Series 879: Differs from the 880 series in the greater thickness of plates (4.8 mm). Wear life increased by 40%.

Allows flush installation side by side of chain series: 831, 821.

Plastic pins also available upon request with minimum order quantity, for LF 880.

Rex-HP™ = High Performance

Plate thickness 4 mm

Sideflexing: Single Hinge, 38.1mm \triangleq 1 1/2" Pitch

Rexnord Chain No.	Plate Material	Width			Radius min. R mm	GC		Weight kg/m
		K mm	TT mm	h mm		Straight mm	Curve mm	
LF 880-K 325 LF 880-K 450	Rex-LF® (Brown)	82,5 114,3	4	16	457 610	44,5	41,4	0,89 1,04
HP 880-K 325 HP 880-K 450	Rex-HP™ (Dark grey)	82,5 114,3	4	16	457 610	44,5	41,4	0,89 1,04

Special materials

WRB 880-K 325 WRB 880-K 450	Wear resistant WRB (Black)	82,5 114,3	4	16	457 500	44,5	41,4	0,89 1,04
--------------------------------	-------------------------------	---------------	---	----	------------	------	------	--------------

Pin material: wear resistant stainless steel.
Standard length: 80 pitches 10 ft (3.048 m)

See
page 93/97



See
page 80/81

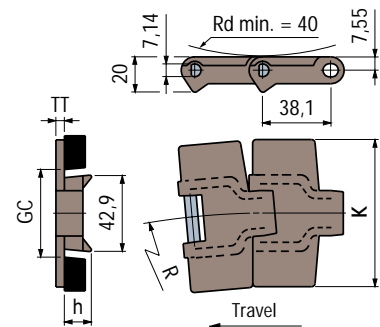


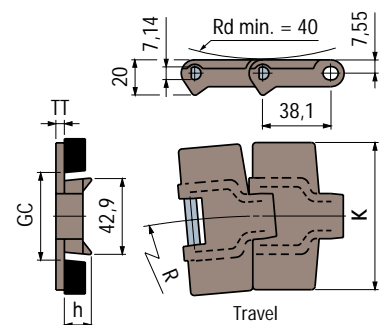
Plate thickness 4,8 mm

Sideflexing: Single Hinge, 38.1mm \triangleq 1 1/2" Pitch

Rexnord Chain No.	Plate Material	Width			Radius min. R mm	GC		Weight kg/m
		K mm	TT mm	h mm		Straight mm	Curve mm	
LF 879-K 325 LF 879-K 450	Rex-LF® (Brown)	82,5 114,3	4,8	15,2	457 610	44,5	41,4	0,93 1,10

Pin material: wear resistant stainless steel.
Standard length: 80 pitches 10 ft (3.048 m)

See
page 80/81



Chain equipped with "TAB" type side holding system on curved runs. Positive holding capability, allows higher speed and greater loads. TAB type guides offer also positive holding of the chain onto the runners during return travel.

Series LF and HP 880TAB-K343. The width of 87 mm, allows the design of multiple strand conveyors with gaps of 1 mm (instead of 5,5 mm), without any alteration of the pitch of 88 mm.

Old conveyors can be adapted for the conveying of PET bottles with petaloid bottom, by simply changing the chains and chain guides.

Plastic pins also available upon request with minimum order quantity, for LF 880 TAB.

Series 879TAB. Differs from type 880TAB for the greater plate thickness (4,8 mm). Wear life increased by 40%. Allows side by side installation of chains type 831, 821, 882TAB.

Thermo-plastic TableTop® Chains

Sideflexing

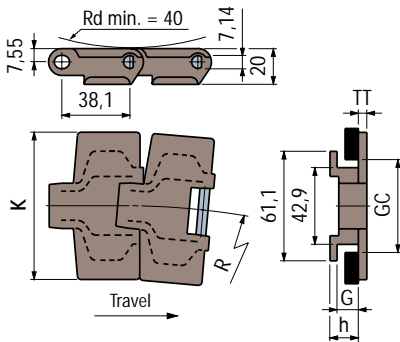
880 TAB



Rex - HP™ = High Performance

Plate thickness 4 mm

Sideflexing: Single Hinge, 38.1mm \triangleq 1 1/2" Pitch



Rexnord Chain No.	Plate Material	Width				Radius min. R mm	GC		Weight kg/m
		K mm	TT mm	G mm	h mm		Straight mm	Curve mm	
LF 880TAB-K 325	Rex-LF® (Brown)	82,5				457			0,94
LF 880TAB-K 343		87	4	11,5	16	500	46	44,2	0,99
LF 880TAB-K 350		88,9				500			1,01
LF 880TAB-K 450		114,3				500			1,08
HP 880TAB-K 325	Rex-HP™ (Dark grey)	82,5				500			0,94
HP 880TAB-K 343		87	4	11,5	16	500	46	44,2	0,99
HP 880TAB-K 350		88,9				500			1,01
HP 880TAB-K 450		114,3				500			1,08

Special materials

AS 880TAB-K 325	Anti-static AS (Black)	82,5				500			0,94
AS 880TAB-K 450		114,3	4	11,5	16	500	46	44,2	1,08
WRB 880TAB-K 325	Wear resistant WRB (Black)	82,5				500			0,94
WRB 880TAB-K 450		114,3	4	11,5	16	500	46	44,2	1,08

Pin material: wear resistant stainless steel.

Standard length: 80 pitches 10 ft (3.048 m)

See
page 94/97



See
page 80/81

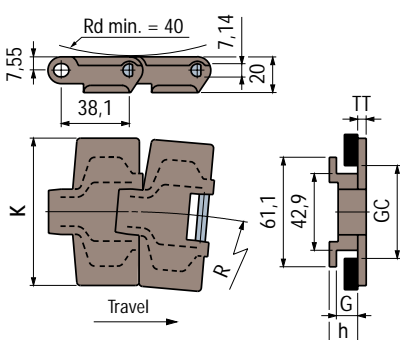


879 TAB



Plate thickness 4,8 mm

Sideflexing: Single Hinge, 38.1mm \triangleq 1 1/2" Pitch



Rexnord Chain No.	Plate Material	Width				Radius min. R mm	GC		Weight kg/m
		K mm	TT mm	G mm	h mm		Straight mm	Curve mm	
LF 879TAB-K 325	Rex-LF® (Brown)	82,5				457			0,98
LF 879TAB-K 450		114,3	4,8	11	15,2	610	46	44,2	1,14
HP 879TAB-K 325	Rex-HP™ (Dark grey)	82,5				457			0,98
HP 879TAB-K 450		114,3	4,8	11	15,2	610	46	44,2	1,14

Pin material: wear resistant stainless steel.

Standard length: 80 pitches 10 ft (3.048 m)

See
page 94/97



See
page 80/81



Thermo-plastic TableTop® Chains

Sideflexing

Series 880BO. It differs from the 880TAB for the reduced curving radius (R min. = 200 mm). The use of lateral corner wheels allows compact layouts and greater number of curves.

It is recommended for layouts which require greater variety of configurations (buffer areas) and for pallet conveying for the mechanical and automotive industries.

Series 879BO. Small sideflexing radius (R min. = 200 mm). Tangential sprocket. Small gap, better product support. Conveyors with many corners are possible, compact dimensions, alpine accumulation systems, flat carousel conveyors. Bidirectional.

Radius min. = 200

Sideflexing: Single Hinge, 38.1mm \triangleq 1 1/2" Pitch

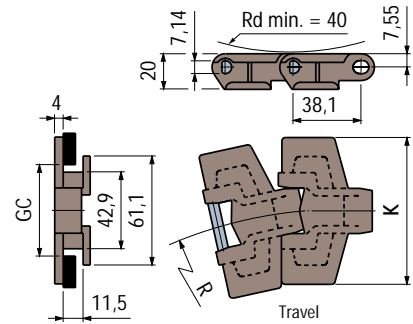
Rexnord Chain No.	Plate Material	Width K mm	Radius min. R mm	GC		Weight kg/m
				Straight mm	Curve mm	
LF880BO-K325 LF880BO-K450	Rex-LF® (Brown)	82,5 114,3	200	46	44,2	0,96 1,11

Pin material: wear resistant stainless steel.
Standard length: 80 pitches 10 ft (3.048 m)

See
page 89



See
page 80/81



Radius min. = 200

Sideflexing: Single Hinge, 38.1mm \triangleq 1 1/2" Pitch

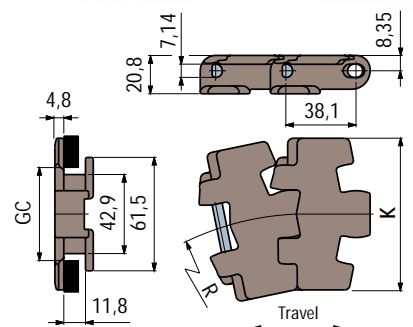
Rexnord Chain No.	Plate Material	Width K mm	Radius min. R mm	GC		Weight kg/m
				Straight mm	Curve mm	
LF879BO-K325 LF879BO-K450	Rex-LF® (Brown)	82,5 114,3	200	46	44,2	1,08 1,20

Pin material: wear resistant stainless steel.
Standard length: 80 pitches 10 ft (3.048 m)

See
page 89



See
page 80/81

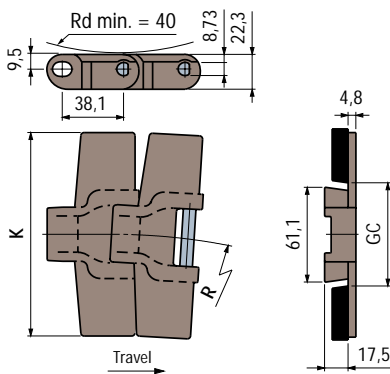


Series 882 chains are heavy-duty TableTop® chains with a level of performance corresponding to that of the steel TableTop® chain 8811. They are designed to convey larger and heavier products over longer distances. This chain is available in both versions, i.e. with hold-down tabs and bevelled guide shoes.

Thermoplastic TableTop® Chains

Sideflexing

882



Sideflexing: Single Hinge, 38.1mm \triangle 1 1/2" Pitch

Rexnord Chain No.	Plate Material	Width K mm	Radius min. R mm	GC		Weight kg/m
				Straight mm	Curve mm	
LF882-K 450	Rex-LF® (Brown)	114,3	610	61,9	58	1,94
LF882-K 750		190,5				2,38
LF882-K1000		254				2,83

Pin material: wear resistant stainless steel.
Standard length: 80 pitches 10 ft (3.048 m)

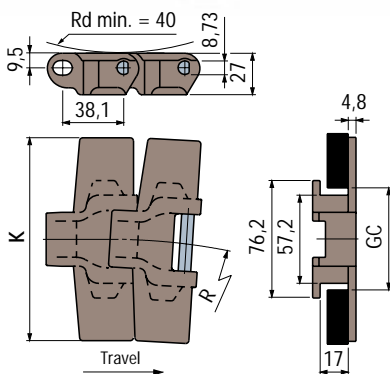
See page 93



See page 82/83



882 TAB



Rex-HP™ = High Performance

Sideflexing: Single Hinge, 38.1mm \triangle 1 1/2" Pitch

Rexnord Chain No.	Plate Material	Width K mm	Radius min. R mm	GC		Weight kg/m
				Straight mm	Curve mm	
LF882TAB-K 325	Rex-LF® (Brown)	82,5	610	60	58	1,86
LF882TAB-K 450		114,3				1,98
LF882TAB-K 750		190,5				2,43
LF882TAB-K 1000		254				2,87
LF882TAB-K 1200		304,8				3,41
HP882TAB-K 325	Rex-HP™ (Dark grey)	82,5	610	60	58	1,86
HP882TAB-K 450		114,3				1,98
HP882TAB-K 750		190,5				2,43
HP882TAB-K 1000		254				2,87
HP882TAB-K 1200		304,8				3,41

Pin material: wear resistant stainless steel.
Standard length: 80 pitches 10 ft (3.048 m)

See page 94/97



See page 82/83



Thermo-plastic TableTop® Chains

Sideflexing

New Rex *CurveMaster*™ sideflexing chains with the exclusive LPC™ design can be lifted out in curves and straights for easy cleaning and conveyor maintenance.

The LPC™ system features Low Pin Centerline chains and wearstrips that hold *CurveMaster* chains down in corners, without the restrictions of tabs, bevels, or magnets. LPC™ chain stays flat and level in corners, eliminating product tippage.

When power is removed, *CurveMaster*™ chains can be easily lifted out in corners and straights.

Exclusive Rex LF material for lower friction and longer life.



CurveMaster™



Sideflexing: Single Hinge, 38.1mm \triangleq 1½" Pitch

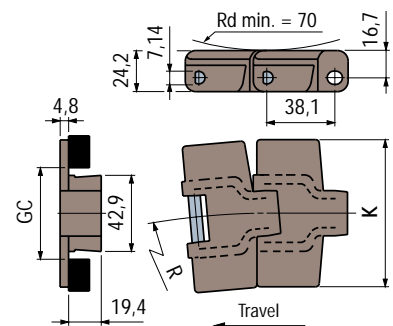
Rexnord Chain No.	Plate Material	Width K mm	Radius min. R mm	GC		Weight kg/m
				Straight mm	Curve mm	
LPC279-K325	Rex-LF® (Brown)	82,5	457	44,5	44,5	1,16
LPC279-K450		114,3				1,31
LPC279-K750		190,5				1,78

Pin material: wear resistant stainless steel.
Standard length: 80 pitches 10 ft (3.048 m)

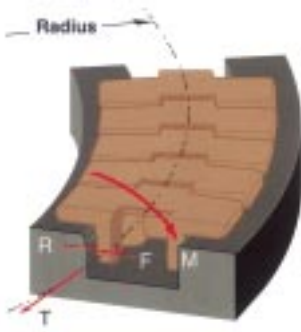
See page 96



See page 80/81

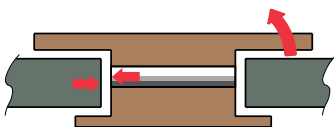


The Curve Master LPC™ system



- T = The tension on the chain from the drive motor (chain pull)
- F = The resulting force driving the chain against the inner wearstrip in a corner.
- R = The reaction of the corner against the chain.
- M = Reacting couple applied to the chain.

TAB Guide



The reacting couple (M) tends to lift the chain

LPC™ Guide



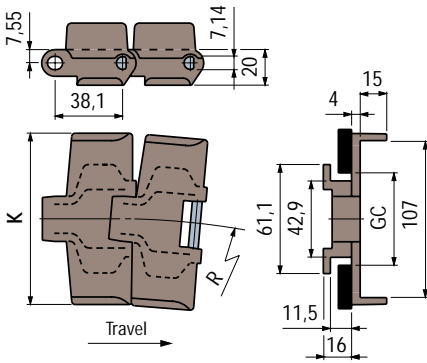
In the guide system LPC™ (Low Pin Centerline) the reacting couple (M) tends to keep the chain flat.

Series 880TAB-K454. The base chain is similar to series 880TAB except for the side flaps which act as guide for the product transported.

Thermo-plastic TableTop® Chains

Sideflexing

880 TAB-K 454



Sideflexing: Single Hinge, 38.1mm \triangleq 1 1/2" Pitch

Rexnord Chain No.	Plate Material	Width K mm	Radius min. R mm	GC		Weight kg/m
				Straight mm	Curve mm	
LF880TAB-K454	Rex-LF® (Brown)	115,3	610	46	44,2	1,12

Pin material: wear resistant stainless steel.
Standard length: 80 pitches 10 ft (3.048 m)

See page 94/97



See page 80/81



Thermo- plastic TableTop[®] Chains

Sideflexing

Series RR 882. The base chain is similar to the 882TAB except for the stiffening ridges which permit the use of transfer combs. It is recommended for end of run head transfer where the use of dead plates may create product stability problems.


RR 882




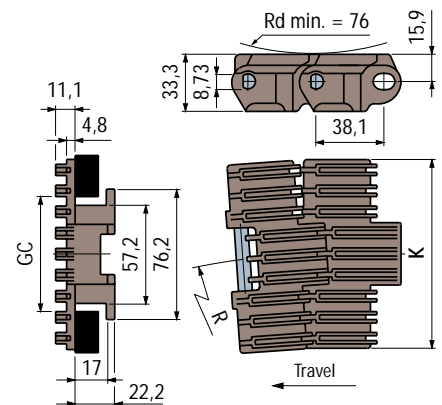
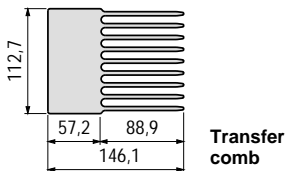
Sideflexing: Single Hinge, 38.1mm \triangle 1 1/2" Pitch

Rexnord Chain No.	Plate Material	Width K mm	Radius min. R mm	GC		Weight kg/m
				Straight mm	Curve mm	
RR882TAB-K 450	Rex-LF[®] (Brown)	114,3	610	60	58	2,40

Pin material: wear resistant stainless steel.
Standard length: 80 pitches 10 ft (3.048 m)

See  page 94/97

See  page 82/83



A roller chain ANSI 40 (pitch 12,7 mm) is used as base chain. The top plates (which are replaceable) are clipped on the protruding pins.

They have a greater loading capacity, permit higher speed and longer runs with a single power traction unit. The small pitch reduces the sagging effect and permits the use of smaller sprockets. They are recommended for step-to-step positioning. They produce lower gearing noise.

Series 843. Uni-directional travel.

Series 845. They differ from the 843 for the bevelling of the plate edges, which facilitate longitudinal and lateral movements. Bi-directional travel.

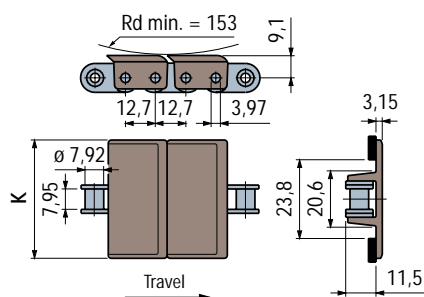
It is recommended for conveying the new 202 type tins. These tins used to create the problem of head transfer jamming: problem which was particularly evident in the heat shrinking tunnels in Wrap-Round systems.

Plate Top Chains

With Thermoplastic Top Plates

Straight Running

843



Straight Running: Thermoplastic Top Plates, 12,7 mm \triangleq 1/2" Pitch

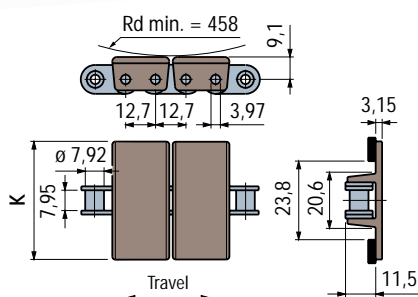
Rexnord Chain No.	Material		Width K mm	Weight kg/m
	Base Chain	Top Plate		
LF843-K138	Steel	Rex-LF® (Brown)	34,9	0,83
LF843-K144			36,5	0,84
LF843-K200			50,8	0,89
LF843-K325			82,5	1,03
LF843SS-K138	Stainless Steel	Rex-LF® (Brown)	34,9	0,83
LF843SS-K144			36,5	0,84
LF843SS-K200			50,8	0,89
LF843SS-K325			82,5	1,03

Standard length: 240 pitches 10 ft (3.048 m)

See page 84



845



Straight Running: Thermoplastic Top Plates, 12,7 mm \triangleq 1/2" Pitch

Rexnord Chain No.	Material		Width K mm	Weight kg/m
	Base Chain	Top Plate		
LF845-K118	Steel	Rex-LF® (Brown)	28,6	0,85
LF845-K138			34,9	0,89
LF845-K200			50,8	0,99
LF845SS-K118	Stainless Steel	Rex-LF® (Brown)	28,6	0,85
LF845SS-K138			34,9	0,89
LF845SS-K200			50,8	0,99

Standard length: 240 pitches 10 ft (3.048 m)

See page 84



Plate Top Chains

With Thermoplastic Top Plates

Straight Running

A roller chain ANSI 60 (pitch 19,05 mm) is used as base chain . The top plates are clipped on the protruding pins and are replaceable. They permit a greater loading capacity, higher speed and longer runs with a single power traction unit. Quieter gearing operation.

Series 963. The Top plates are designed for overlapping. The continuous surface facilitate stability and ease operations with unstable products. Uni-directional travel.




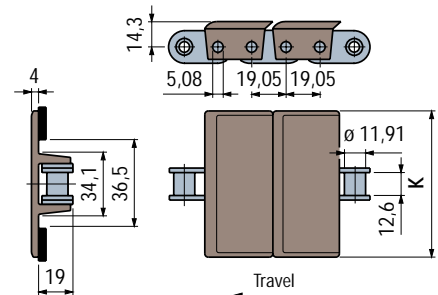
Straight Running: Thermoplastic Top Plates, 19.05 mm \triangleq 3/4" Pitch

Rexnord Chain No.	Material		Width K mm	Weight kg/m
	Base Chain	Top Plate		
LF963-K325	Steel	Rex-LF[®] (Brown)	82,5	2,10
LF963-K450			114,3	2,23
LF963-K600*			152,4	2,53
LF963-K750*			190,5	2,68
LF963SS-K325	Stainless Steel	Rex-LF[®] (Brown)	82,5	2,10
LF963SS-K450			114,3	2,23
LF963SS-K600*			152,4	2,53
LF963SS-K750*			190,5	2,68

Standard length: 160 pitches 10 ft (3.048 m)

* = On request

See page 84 



They have a greater loading capacity, allow higher speeds and longer runs with single power traction units. They are indicated for step by step positioning.

Quieter gearing operation. The top plates are clipped on the protruding pins of the chain and are replaceable.

Series 1843. The base chain is a standard roller chain Side Bow ANSI 40 SB (pitch 12,7 mm). The small pitch reduces the sagging effect and permits the use of smaller sprockets. Uni-directional travel.

Series 1873. The base chain is a roller chain Side Bow 60 SB (pitch 19,05 mm). Bi-directional travel.

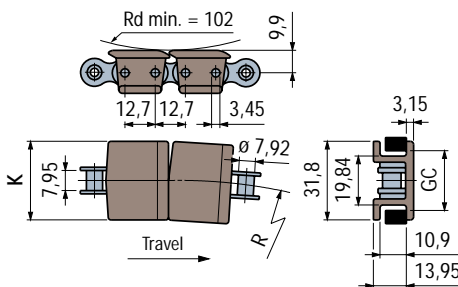
PC 1873 chains are recommended for receiving glued rubber inserts (inclined runs).

Plate Top Chains

With Thermoplastic Top Plates

Sideflexing

1843



Sideflexing: Thermoplastic Top Plates, 12.7 mm \triangleq 1/2" Pitch

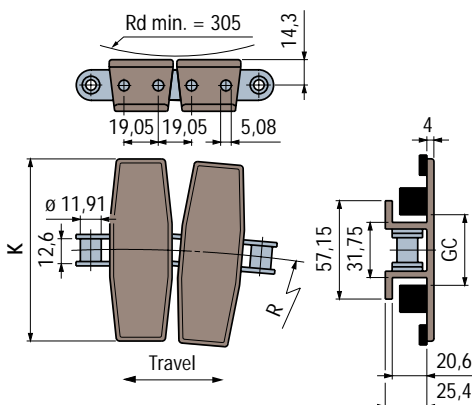
Rexnord Chain No.	Material		Width K mm	Radius min. R mm	GC		Weight kg/m
	Base Chain	Top Plate			Straight mm	Curve mm	
LF 1843TAB-K 125 LF 1843TAB-K 200	Steel	Rex-LF [®] (Brown)	31,8 50,8	254	21,3	22,3	0,74 0,90

Standard length: 240 pitches 10 ft (3.048 m)

See page 84



1873



Sideflexing: Thermoplastic Top Plates, 19.05 mm \triangleq 3/4" Pitch

Rexnord Chain No.	Material		Width K mm	Radius min. R mm	GC		Weight kg/m
	Base Chain	Top Plate			Straight mm	Curve mm	
LF 1873-K 325 LF 1873-K 450 LF 1873-K 600 LF 1873-K 750 LF 1873-K 1000 LF 1873-K 1200	Steel	Rex-LF [®] (Brown)	82,5 114,3 152,4 190,5 254 304,8	356 356 457 457 457 610	33,3	34,6	2,1 2,3 2,4 2,6 2,8 3,0
LF 1873SS-K 325 LF 1873SS-K 450 LF 1873SS-K 600 LF 1873SS-K 750 LF 1873SS-K 1000 LF 1873SS-K 1200	Stainless Steel	Rex-LF [®] (Brown)	82,5 114,3 152,4 190,5 254 304,8	356 356 457 457 457 610	33,3	34,6	2,1 2,3 2,4 2,6 2,8 3,0
HP 1873-K 450 HP 1873-K 750	Steel	Rex-HP [™] (Dark grey)	114,3 190,5	356 457	33,3	34,6	2,3 2,6
HP 1873SS-K 450 HP 1873SS-K 750	Stainless Steel	Rex-HP [™] (Dark grey)	114,3 190,5	356 457	33,3	34,6	2,3 2,6

Special materials

PC 1873-K 325 PC 1873-K 450	Steel	Polycarbonate (Grey)	82,5 114,3	356 356	33,3	34,6	2,1 2,3
PC 1873SS-K 325 PC 1873SS-K 450	Stainless Steel	Polycarbonate (Grey)	82,5 114,3	356 356	33,3	34,6	2,1 2,3
WRB 1873-K 450 WRB 1873-K 750	Steel	Wear resistant WRB (Black)	114,3 190,5	356 457	33,3	34,6	2,3 2,6

On request: PC K600, K750, K1000 (both steel and stainless steel base chain)

Standard length: 160 pitches 10 ft (3.048 m)

See page 94



See page 84



Plate Top Chains

With Thermoplastic Top Plates

Sideflexing

One application for this chain is the transport of trays in self-service restaurants.

The "snap on" overlapping plastic top plates (acetal or LF acetal) form a continuous surface, even in tight radius. The base chains can be supplied either in stainless steel or carbon steel.



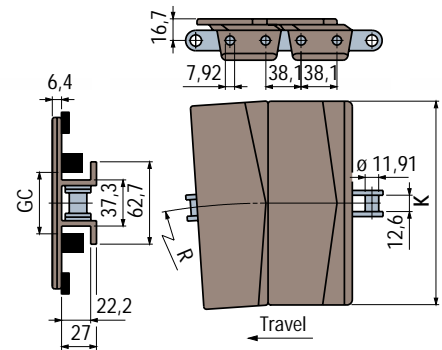
2873

Sideflexing: Thermoplastic Top Plates, 38.1 mm \triangleq 1 1/2" Pitch

Rexnord Chain No.	Material		Width K mm	Radius min. R mm	GC		Weight kg/m
	Base Chain	Top Plate			Straight	Curve	
D2873-K1000	Steel	Acetal (White)	254	660	39,7	41,0	3,4
D2873SS-K1000	Stainless Steel						
LF2873-K1000	Steel	Rex-LF[®] (Brown)	254	660	39,7	41,0	3,4
LF2873SS-K1000	Stainless Steel						

Standard length: 80 pitches 10 ft (3.048 m)

See page 84



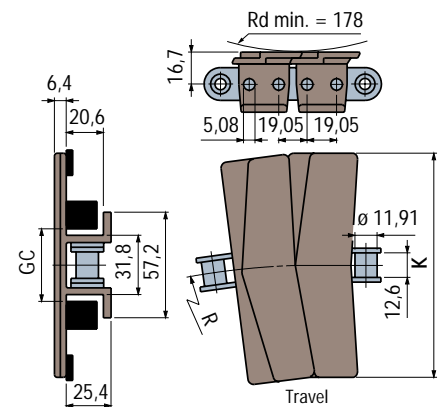
3873

Sideflexing: Thermoplastic Top Plates, 19.05 mm \triangleq 3/4" Pitch

Rexnord Chain No.	Material		Width K mm	Radius min. R mm	GC		Weight kg/m
	Base Chain	Top Plate			Straight	Curve	
LF3873-K1000	Steel	Rex-LF[®] (Brown)	254	457	33,3	34,6	3,1
LF3873SS-K1000	Stainless Steel						
WLF3873-K1200	Steel	Rex-LF[®] (White)	304,8	610	33,3	34,6	3,2
WLF3873SS-K1200	Stainless Steel						

Standard length: 160 pitches 10 ft (3.048 m)

See page 84



- *for inclines up to 25 degrees*
- *rigid design*
- *positive guiding system*

Chains for Incline Conveying



Steel TableTop® Chains

With Rubber Top

TableTop® chains with vulcanized rubber coating make it possible to transport products which tend to slide easily. With regard to service life and safety, the robust design has proved itself superior to other systems.



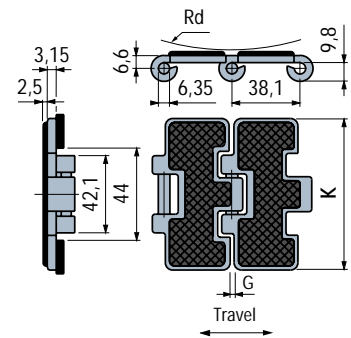
Straight Running: Single Hinge, 38.1mm \triangleq 1 1/2" Pitch

Rexnord Chain No.	Plate Material	Width K mm	Plate Gap G mm	Radius min. Rd mm	Weight kg/m
SSR 812-K325 Rubber Top	Cr-Ni Steel	82,5	2,8	80	2,8

Pin material: wear resistant stainless steel
Antislip insert material: NBR rubber (black)
60 Shore A hardness.

Standard length: 80 pitches 10 ft (3.048 m)

See page 69/70/71



Straight Running: Single Hinge, 38.1mm \triangleq 1 1/2" Pitch

Rexnord Chain No.	Plate Material	Width K mm	Plate Gap G mm	Radius min. Rd mm	Weight kg/m
SSR 812TAB-K325 Rubber Top	Cr-Ni Steel	82,5	2,8	80	3,4

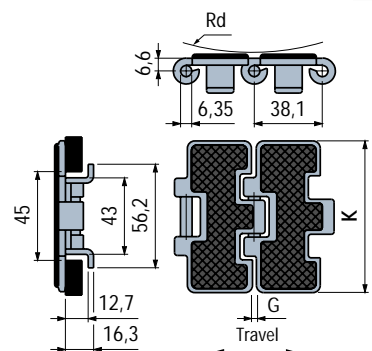
Pin material: wear resistant stainless steel
Antislip insert material: NBR rubber (black)
60 Shore A hardness.

Standard length: 80 pitches 10 ft (3.048 m)

See page 97



See page 74/75



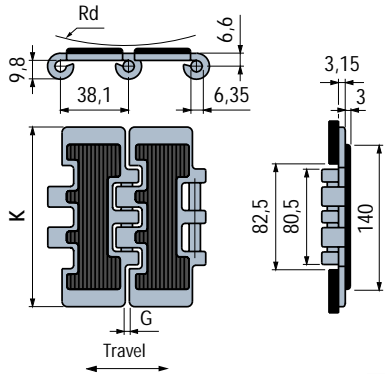
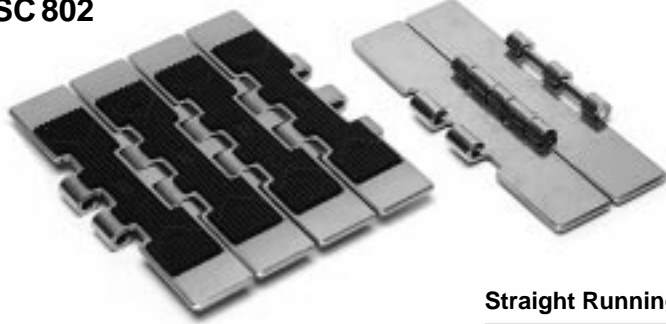
Steel TableTop® Chains

With Rubber Top

TableTop® chains with vulcanized rubber coating make it possible to transport products which tend to slide easily. With regard to service life and safety, the robust design has proved itself superior to other systems. Through the use of the guide shoe concept, goods may be conveyed directly from straight running to the inclination and also around corners.



SSC 802



Straight Running: Double Hinge, 38.1 mm \triangleq 1 1/2" Pitch

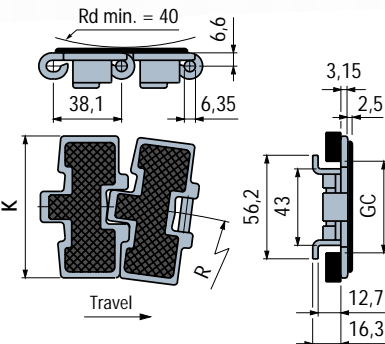
Renxord Chain No.	Plate Material	Width K mm	Plate Gap G mm	Radius min. Rd mm	Weight kg/m
SSC802-K750 Rubber Top	Cr-Ni Steel	190,5	1,8	150	6,2

Pin material: wear resistant stainless steel
 Antislip insert material: NBR rubber (black)
 60 Shore A hardness.
 Standard length: 80 pitches 10 ft (3.048 m)

See page 72/73



SSC 8811 TAB



Sideflexing: Single Hinge, 38.1mm \triangleq 1 1/2" Pitch

Renxord Chain No.	Plate Material	Width K mm	Radius min. R mm	GC Straight Curve mm	Weight kg/m
SSC8811 TAB-K325 Rubber Top	Cr-Ni Steel	82,5	457	46 44,2	3,3

Pin material: wear resistant stainless steel
 Antislip insert material: NBR rubber (black)
 60 Shore A hardness.
 Standard length: 80 pitches 10 ft (3.048 m)

See page 94/97



See page 74/75



Thermoplastic TableTop® Chains

With Rubber Inserts

The thermoplastic TableTop® chains with rubber insert, series HFP, have rubber inserts moulded into the topplates. These chains are suitable for conveyors with an inclination up to 25°, depending on the conveyed product.

HFP 820



Straight Running: Single Hinge, 38.1mm \triangleq 1 1/2" Pitch

Rexnord Chain No.	Material		Width K mm	A mm	Weight kg/m
	Link	Antislip insert			
HFP 820-K325	Rex-LF® (Brown)	SEBS rubber (light grey) 60 Shore A	82,5	65,0	0,83
HFP 820-K350			88,9	88,9	0,87
HFP 820-K400			101,6	101,6	0,95
HFP 820-K450			114,3	114,3	1,03
HFP 820-K600			152,4	135,0	1,25

Pin material: stainless steel.

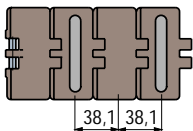
On request: Antislip insert in:

SEBS rubber (white), 45 Shore A hardness.

PUR rubber (dark grey), 90 Shore A hardness.

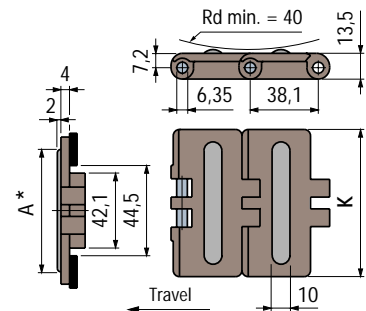
Chains series K350, K400, K450 are obtained by cutting the K600 series.

Standard length: 80 pitches 10 ft (3.048 m)



Special configurations on request. Indicate the distance between inserts at the time of ordering.

See page 76/77



* = For chain series K350, K400, K450, the width A is equal to K.

HFP 821



Straight Running: Double Hinge, 38.1 mm \triangleq 1 1/2" Pitch

Rexnord Chain No.	Material		Width K mm	A mm	Weight kg/m
	Link	Antislip insert			
HFP 821-K 750	Rex-LF® (Brown)	SEBS rubber (light grey) 60 Shore A	190,5	132	2,50
HFP 821-K 1000			254	195	2,95
HFP 821-K 1200			304,8	245	3,25

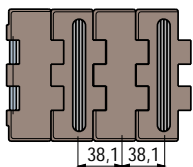
Pin material: stainless steel.

On request: Antislip insert in:

SEBS rubber (white), 45 Shore A hardness.

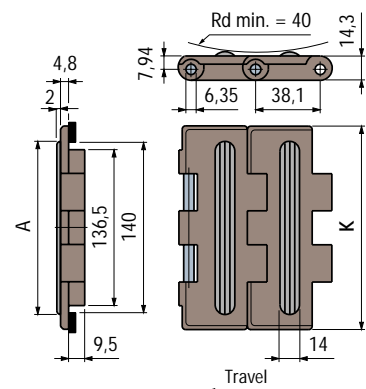
PUR rubber (dark grey), 90 Shore A hardness.

Standard length: 80 pitches 10 ft (3.048 m)



Special configurations on request. Indicate the distance between inserts at the time of ordering.

See page 78/79

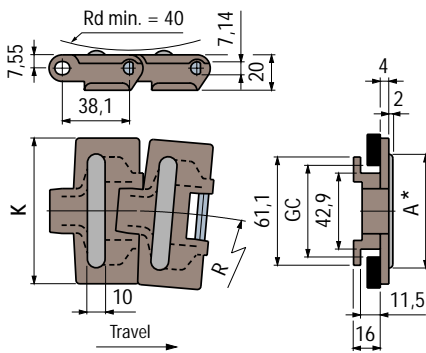


The thermoplastic TableTop® chains with rubber inserts, series HFP, are also available in sideflexing execution. This make them suitable for applications with curves and installations with horizontal and inclined sections.

Thermoplastic TableTop® Chains

With Rubber Inserts

HFP 880 TAB



* = For chain series K240 the width A is equal to K.

Sideflexing: Single Hinge, 38.1mm \triangle 1 1/2" Pitch

Rexnord Chain No.	Material		Width		Radius min. R mm	GC		Weight kg/m
	Link	Antislip insert	K mm	A mm		Straight	Curve	
HFP 880 TAB-K 240	Rex-LF® (Brown)	SEBS rubber (light grey) 60 Shore A	61	61	457	46	44,2	0,70
HFP 880 TAB-K 325			82,5	65	457			0,94
HFP 880 TAB-K 450			114,3	95	610			1,08

Pin material: stainless steel.

On request: Antislip insert in:

SEBS rubber (white), 45 Shore A hardness.

PUR rubber (dark grey), 90 Shore A hardness.

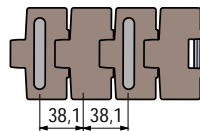
Chains series K240 is obtained by cutting K325 series.

Standard length: 80 pitches 10 ft (3.048 m)

See page 94/97

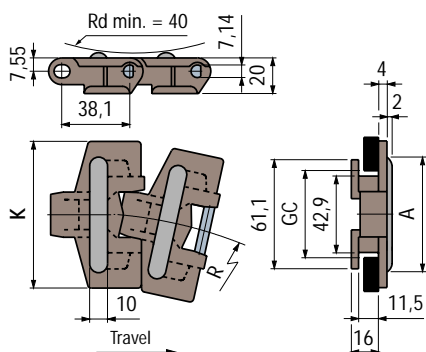


See page 80/81



Special configurations on request. Indicate the distance between inserts at the time of ordering.

HFP 880 BOT



Radius min. = 200

Sideflexing: Single Hinge, 38.1mm \triangle 1 1/2" Pitch

Rexnord Chain No.	Material		Width		Radius min. R mm	GC		Weight kg/m
	Link	Antislip insert	K mm	A mm		Straight	Curve	
HFP 880 BOT-K 325	Rex-LF® (Brown)	SEBS rubber (light grey) 60 Shore A	82,5	65	200	46	44,2	0,96

Pin material: stainless steel.

On request: Antislip insert in:

SEBS rubber (white), 45 Shore A hardness.

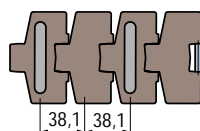
PUR rubber (dark grey), 90 Shore A hardness.

Standard length: 80 pitches 10 ft (3.048 m)

See page 89



See page 80/81



Special configurations on request. Indicate the distance between inserts at the time of ordering.

Thermo-plastic TableTop® Chains

With Rubber Inserts

The antislip insert fitted during moulding consents inclined conveying with grades up to 25°. The rubber used for the inserts has a hardness of 60 Shore A standard. Different hardness 45 or 90 Shore A are available on request. (Softer inserts have a greater gripping power but reduced wear resistance).

Series HFP 879 BO. The base chain is the one used for 879 BO series. Small sideflexing radius (R min. = 200 mm). Tangential sprocket. Small gap, better product support. Conveyors with many corners are possible, compact dimensions. Bidirectional.

Series HFP 882 TAB. The base chain is the one used for 882 TAB series.

HFP 879 BO



Sideflexing: Single Hinge, 38.1mm \triangle 1 1/2" Pitch

Rexnord Chain No.	Material		Width K mm	A mm	Radius min. R mm	GC		Weight kg/m
	Link	Antislip insert				Straight mm	Curve mm	
HFP879BO-K 450	Rex-LF® (Brown)	SEBS rubber (light grey) 60 Shore A	114,3	102	200	46	44,2	1,20

Pin material: stainless steel.

On request: Antislip insert in:

SEBS rubber (white), 45 Shore A hardness.

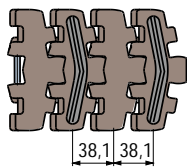
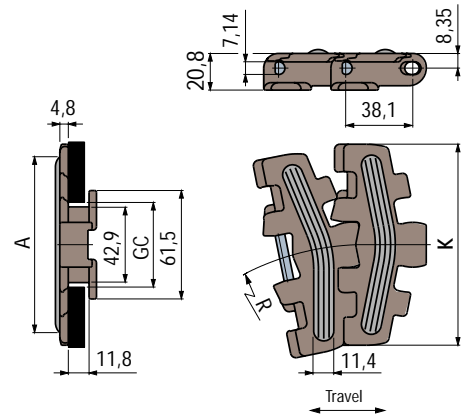
PUR rubber (dark grey), 90 Shore A hardness.

Standard length: 80 pitches 10 ft (3.048 m)

See page 89



See page 80/81



Special configurations on request. Indicate the distance between inserts at the time of ordering.

HFP 882 TAB



Sideflexing: Single Hinge, 38.1mm \triangle 1 1/2" Pitch

Rexnord Chain No.	Material		Width K mm	A mm	Radius min. R mm	GC		Weight kg/m
	Link	Antislip insert				Straight mm	Curve mm	
HFP882TAB-K 750	Rex-LF® (Brown)	SEBS rubber (light grey) 60 Shore A	190,5	132	610	60	58	2,43
HFP882TAB-K 1000			254	195				2,87
HFP882TAB-K 1200			304,8	246				3,41

Pin material: stainless steel.

On request: Antislip insert in:

SEBS rubber (white), 45 Shore A hardness.

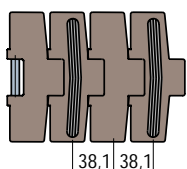
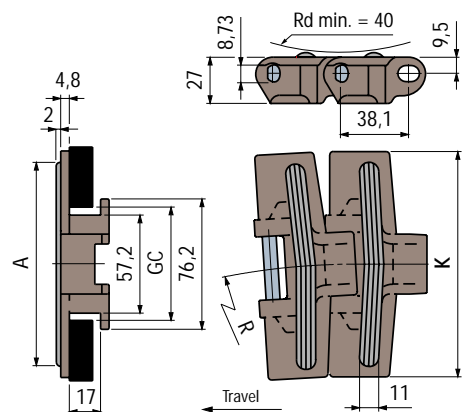
PUR rubber (dark grey), 90 Shore A hardness.

Standard length: 80 pitches 10 ft (3.048 m)

See page 94/97



See page 82/83



Special configurations on request. Indicate the distance between inserts at the time of ordering.

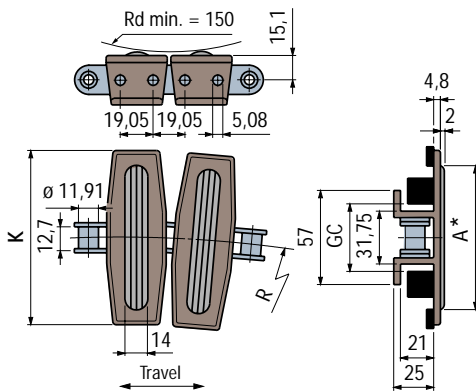
The antislip insert fitted during moulding consents inclined conveying with grades up to 25°. The base chain is a standard roller chain Side Bow ANSI 60 SB (pitch 19,05 mm). The replaceable top plates are clipped on the protruding pins of the base chain. Longer runs can be designed with a single power traction unit. The TAB guides permit to continue either from an inclined run to a plane one or viceversa.

Plate Top Chains

With Thermoplastic Top Plates

With Rubber Inserts

HFP 1877



* = For chain series K325, K350, K450, the width A is equal to K.

Sideflexing: Thermoplastic Top Plates, 19.05 mm \triangleq 3/4" Pitch

Rexnord Chain No.	Material		Width		Radius min. R mm	GC		Weight kg/m
	Base Chain	Top Plate	K mm	A mm		Straight mm	Curve mm	
HFP 1877-K 325	Steel	Rex-LF® (Brown)	82,5	82,5	380	33,3	34,6	2,60
HFP 1877-K 350			88,9	88,9				2,65
HFP 1877-K 450			114,3	114,3				2,80
HFP 1877-K 600			152,4	132				2,90
HFP 1877-K 750			190,5	132				3,10
HFP 1877-K 1000			254	195				3,40
HFP 1877-K 1200			304,8	245				3,60
HFP 1877SS-K 325	Stainless Steel	Rex-LF® (Brown)	82,5	82,5	380	33,3	34,6	2,60
HFP 1877SS-K 350			88,9	88,9				2,65
HFP 1877SS-K 450			114,3	114,3				2,80
HFP 1877SS-K 600			152,4	132				2,90
HFP 1877SS-K 750			190,5	132				3,10
HFP 1877SS-K 1000			254	195				3,40
HFP 1877SS-K 1200			304,8	245				3,60

Antislip insert material: **SEBS** rubber (light grey), 60 shore A hardness.

On request: Antislip insert in:

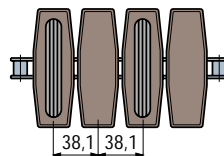
SEBS rubber (white), 45 Shore A hardness.

PUR rubber (dark grey), 90 Shore A hardness.

Chains series K325, K350, K450, K600 are obtained by cutting the K750 series.

Standard length: 160 pitches 10 ft (3.048 m)

See page 84



Special configurations on request. Indicate the distance between inserts at the time of ordering.

Thermo-plastic TableTop® Chains

With Pushers

Series HFP 821 F. The base chain is the same as for the 821 series. The rubber pusher fin insert is applied during the moulding process. The chain is recommended as a substitute for belt conveyors, thus eliminating all maintenance needs.

Series HFP 882 TAB F. The base chain is the same as for the 882 TAB series. The rubber pusher insert is applied during the moulding process.

HFP 821 F



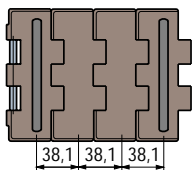
Straight Running: Double Hinge, 38.1 mm \triangleq 1 1/2" Pitch

Rexnord Chain No.	Material		Width K mm	A mm	Weight kg/m
	Link	Pusher			
HFP821-K 750 F	Rex-LF® (Brown)	PUR rubber (dark grey) 90 Shore A	190,5	151	2,43
HFP821-K1000 F			254	214	2,85
HFP821-K1200 F			304,8	265	3,17

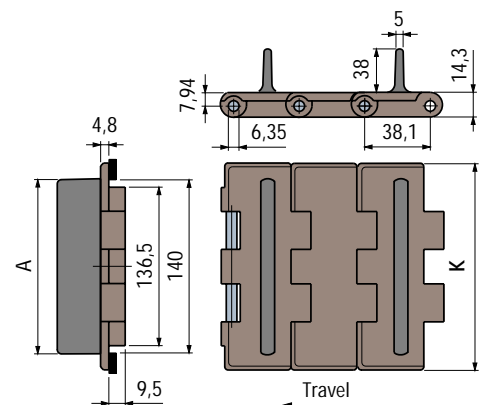
Pin material: stainless steel.

Standard length: 80 pitches 10 ft (3.048 m)

See page 78/79



Special configurations on request. Indicate the distance between pushers at the time of ordering.



HFP 882 TAB F



Sideflexing: Single Hinge, 38.1mm \triangleq 1 1/2" Pitch

Rexnord Chain No.	Material		Width K mm	A mm	Radius min. R mm	GC		Weight kg/m
	Link	Pusher				Straight mm	Curve mm	
HFP882TAB-K750 F	Rex-LF® (Brown)	PUR rubber (dark grey) 90 Shore A	190,5	132	610	60	58	2,43

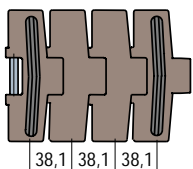
Pin material: stainless steel.

Standard length: 80 pitches 10 ft (3.048 m)

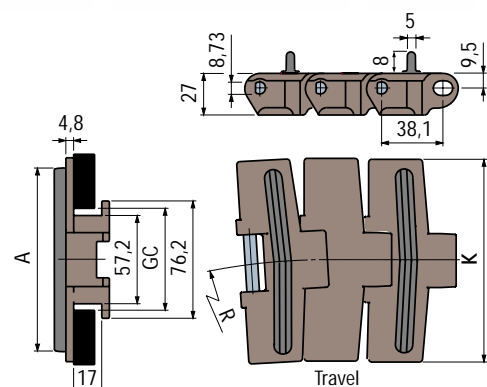
See page 94/97



See page 82/83

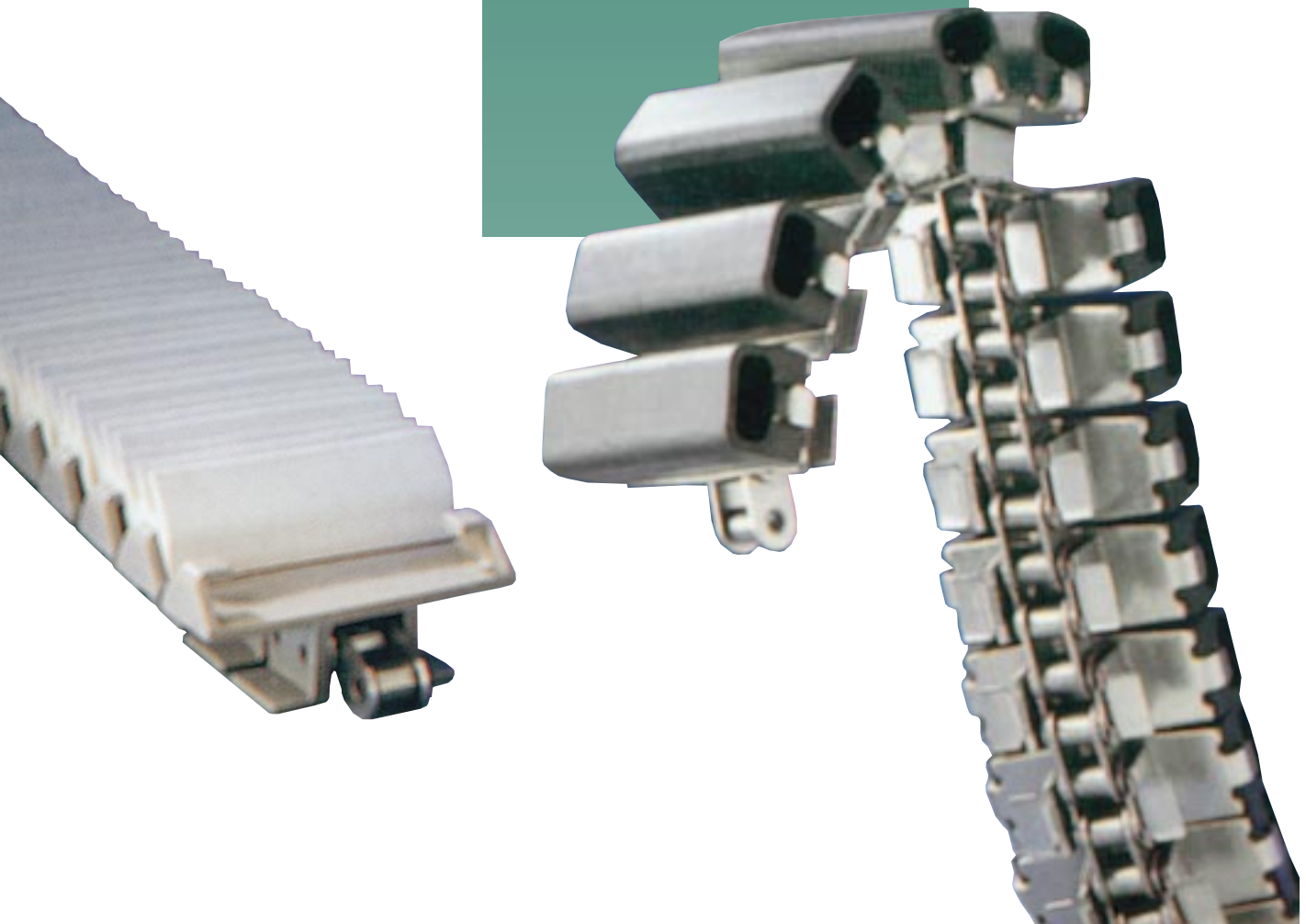


Special configurations on request. Indicate the distance between pushers at the time of ordering.



- *to lift , to lower, to turn over (rinsing machines)*
- *for bottles, tins, jars, boxes, cartons, bundles, parcels, industrial components*
- *up to 60 mt/min. conveying speeds*
- *soft rubber gripper elements (to avoid product damaging)*

Gripper Chains



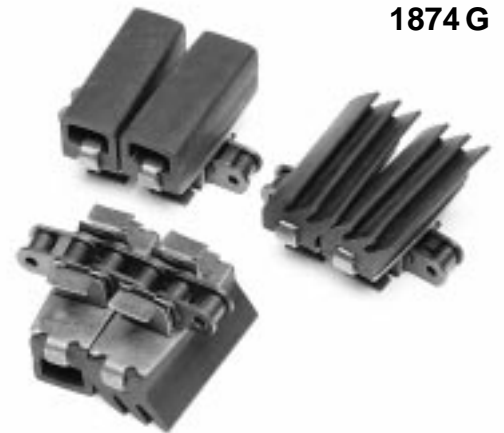
Gripper Chains

With Steel Top Plates

Chains fitted with steel top plates to be used in abrasive and heavy duty conditions or in case of high temperatures. The base is a standard roller chain Side Bow ANSI 60 SB (pitch 19,06 mm). The gripper elements are available in the "GD" type (Smooth pad) and "GJ" (Grooved pad). They are clipped on and easily replaceable.

Series 1874 G. The clip for the TAB guide is welded on the top plate.

Series 1874 HDG. It differs from the 1874 G series for the shape of the top plates (Guide and top plate are a single unit). This series uses the same type of guiding system. The tensile stress is 15% higher. Reduced stretching during operation. The chain is designed for 50 % higher loads.



1874 G

Sideflexing: Steel and Stainless Steel Top Plates, 19.05 mm \triangleq 3/4" Pitch

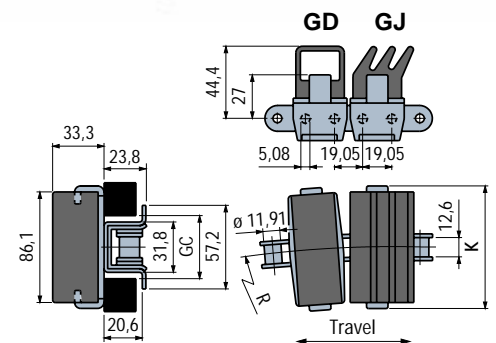
Rexnord Chain No.	Ultimate Strgth. N	Material		Width K mm	Radius min. R mm	GC		Weight kg/m
		Base Chain	TopPlate			Straight mm	Curve mm	
1874-K363GD 1874-K363GJ	27000	Steel	Steel	92,1	381	34,1	34,9	5,6
1874A-K363GD 1874A-K363GJ	27000	Steel	Stainless Steel	92,1	381	34,1	34,9	5,6
1874SS-K363GD 1874SS-K363GJ	21000	Stainless Steel	Stainless Steel	92,1	381	34,1	34,9	5,6

EPDM rubber gripper elements (black).
40 shore A hardness.

White grippers available upon request.

Standard length: 160 pitches 10 ft (3.048 m)

See page 84



1874 HDG



Sideflexing: Steel and Stainless Steel Top Plates, 19.05 mm \triangleq 3/4" Pitch

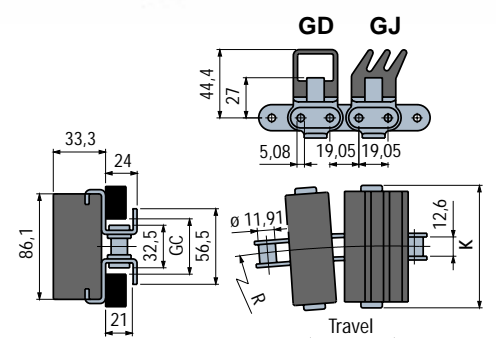
Rexnord Chain No.	Ultimate Strgth. N	Material		Width K mm	Radius min. R mm	GC		Weight kg/m
		Base Chain	TopPlate			Straight mm	Curve mm	
1874HD-K363GD 1874HD-K363GJ	31000	Steel	Steel	92,1	400	34,1	34,9	6,3
1874HDSS-K363GD 1874HDSS-K363GJ	24000	Stainless Steel	Stainless Steel	92,1	400	34,1	34,9	6,3

EPDM rubber gripper elements (black).
40 shore A hardness.

White grippers available upon request.

Standard length: 160 pitches 10 ft (3.048 m)

See page 84



Gripper Chains

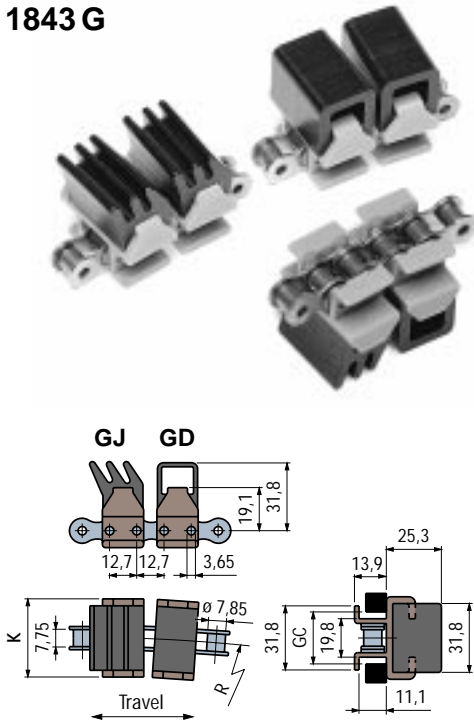
With Thermoplastic Top Plates

The thermoplastic top plates other than providing a quieter and smoother operation, make it possible to reduce the plant weight, increase conveying speed and permit dry service. The gripper elements are available in the "GD" type (Smooth pad) and "GJ" type (Grooved pad). They are clipped on and easily replaceable.

Series 1843 G. The base is a standard roller chain Side Bow ANSI 40 SB (pitch 12,7 mm). It is recommended for the conveying of ampoules, test tubes and other minute products such as small industrial components.

Series 1873 G. The base is a standard roller chain Side Bow ANSI 60 SB (pitch 19,05 mm).

1843 G



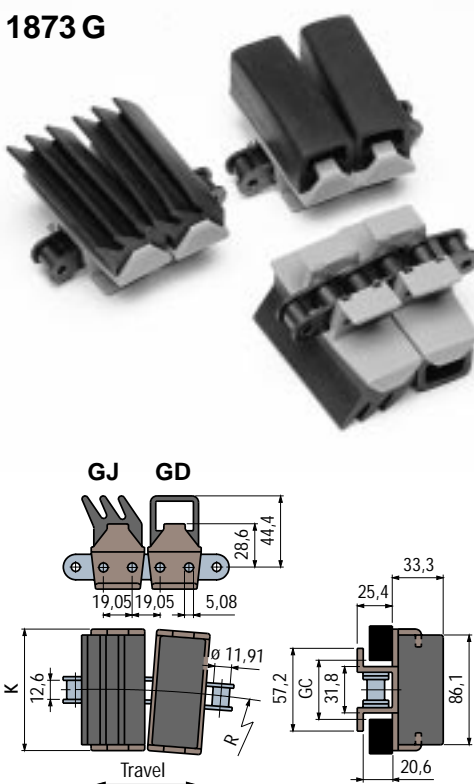
Sideflexing: Thermoplastic Top Plates, 12.7 mm \triangleq 1/2" Pitch

Rexnord Chain No.	Material		Width K mm	Radius min. R mm	GC		Weight kg/m
	Base Chain	Top Plate			Straight mm	Curve mm	
LF 1843-K125GD LF 1843-K125GJ	Steel	Rex-LF® (Brown)	38,1	254	21,4	22,2	1,2
LF 1843SS-K125GD LF 1843SS-K125GJ	Stainless Steel		38,1	254	21,4	22,2	1,2

EPDM rubber gripper elements (black).
40 shore A hardness.
White grippers available upon request.
Standard length: 240 pitches 10 ft (3.048 m)

See page 84 

1873 G



Sideflexing: Thermoplastic Top Plates, 19.05 mm \triangleq 3/4" Pitch

Rexnord Chain No.	Material		Width K mm	Radius min. R mm	GC		Weight kg/m
	Base Chain	Top Plate			Straight mm	Curve mm	
LF 1873-K375GD LF 1873-K375GJ	Steel	Rex-LF® (Brown)	95,3	381	34,1	34,9	2,8
LF 1873SS-K375GD LF 1873SS-K375GJ	Stainless Steel		95,3	381	34,1	34,9	2,8

EPDM rubber gripper elements (black).
40 shore A hardness.
White grippers available upon request.
Standard length: 160 pitches 10 ft (3.048 m)

See page 84 

Gripper Chains

The base chain is the same as series 882 TAB. Economical version. It is recommended for corrosive environments and for lower speed and reduced loads. The gripper elements are available in the "GD" type (Smooth pad) and "GJ" type (Grooved pad). They are clipped on and easily replaceable.

882 G



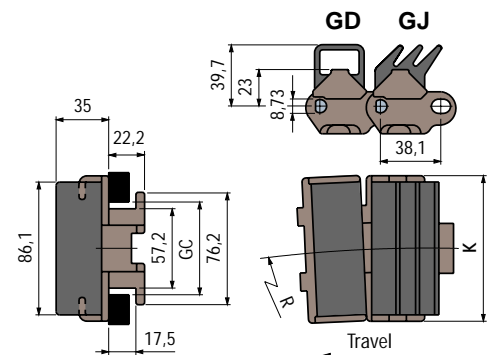
Sideflexing: Single Hinge, 38.1mm \triangle 1 1/2" Pitch

Rexnord Chain No.	Plate Material	Width K mm	Radius min. R mm	GC		Weight kg/m
				Straight mm	Curve mm	
LF882-K375GD LF882-K375GJ	Rex-LF [®] (Brown)	95,3	610	60	58	2,5

Pin material: stainless steel.
EPDM rubber gripper elements (black).
40 shore A hardness.

White grippers available upon request.
Standard length: 80 pitches 10 ft (3.048 m)

See page 82/83



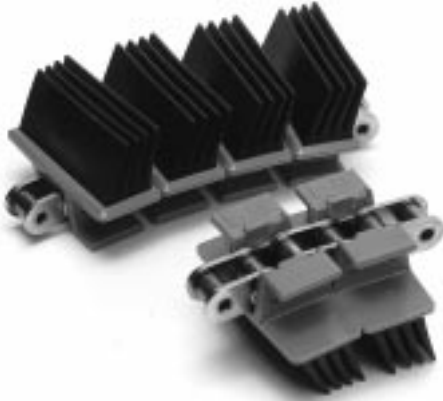
The base chain is a standard roller chain Side Bow ANSI 60 SB (pitch 19,5 mm). The top plates are clipped on the protruding pins of the chains and are replaceable.

Series 1873 GJM. The gripper elements are moulded from thermoplastic rubber. Recommended for the packaging industries.

Gripper Chains

With Thermoplastic Top Plates

1873 GJM

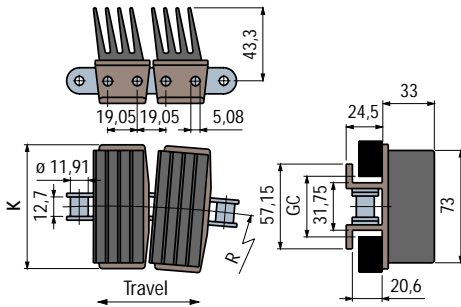


Sideflexing: Thermoplastic Top Plates, 19.05 mm \triangleq 3/4" Pitch

Rexnord Chain No.	Material		Width K mm	Radius min. R mm	GC		Weight kg/m
	Base Chain	Top Plate			Straight mm	Curve mm	
LF1873-K325GJM	Steel	Rex-LF® (Brown)	82,5	356	33,3	34,6	3,0

Gripper elements in thermoplastic rubber (grey).
75 shore A hardness.
Standard length: 160 pitches 10 ft (3.048 m)

See page 84



Gripper Chains

The thermoplastic Gripper chains, serie 880 are suitable for elevators light/medium weight products.

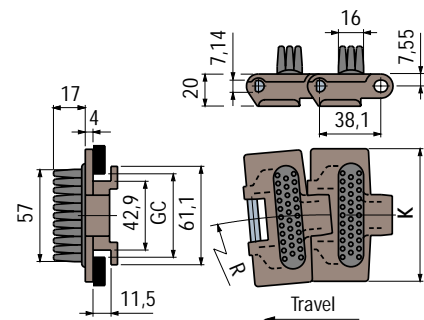


Sideflexing: Single Hinge, 38.1mm \triangleq 1 1/2" Pitch

Rexnord Chain No.	Plate Material	Width K mm	Radius min. R mm	GC		Weight kg/m
				Straight mm	Curve mm	
LF880TAB-K325GB	Rex-LF® (Brown)	82,5	457	46	44,2	0,96

Pin material: stainless steel.
 Gripper elements in **PUR** rubber (dark grey).
 90 shore A hardness. On request **SEBS** rubber (light grey).
 60 shore A hardness.
Standard length: 80 pitches 10 ft (3.048 m)

See page 80/81



Sideflexing: Single Hinge, 38.1mm \triangleq 1 1/2" Pitch

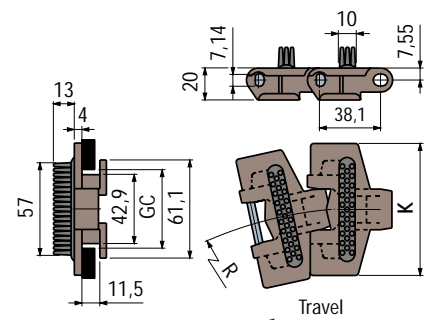
Rexnord Chain No.	Plate Material	Width K mm	Radius min. R mm	GC		Weight kg/m
				Straight mm	Curve mm	
LF880BO-K325GB	Rex-LF® (Brown)	82,5	200	46	44,2	0,83

Pin material: stainless steel.
 Gripper elements in **PUR** rubber (dark grey).
 90 shore A hardness. On request **SEBS** rubber (light grey).
 60 shore A hardness.
Standard length: 80 pitches 10 ft (3.048 m)

See page 80/81

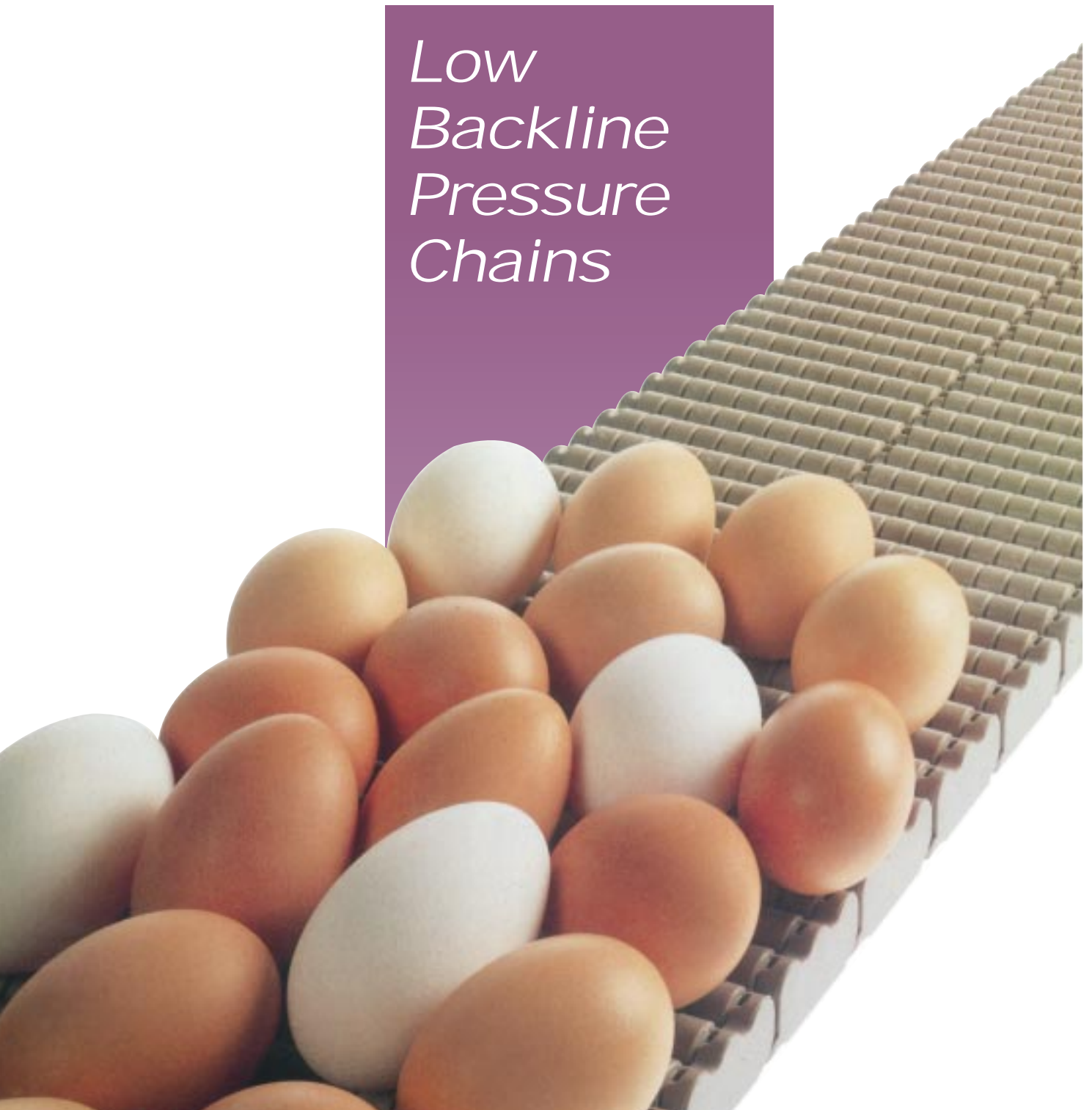


Radius min. = 200



- *for systems where products accumulate*
- *low friction coefficient between chain surface and product (0,07)*
- *new SLPB series in **Rex-HP™** (High Performance) for superior service*
- *silent operation*
- *high stability of product*

Low Backline Pressure Chains



Low Backline Pressure Chains

Thermoplastic

The new chain series XLBP 831 in *Rex-HP™* (High Performance) material can guarantee superior performance and reduced noise level. Friction and accumulation pressures are reduced by 20%. Longer runs up to 20% are possible with single power traction unit. Reduced wear and stretching of the chain.

Rex - HP™ = High Performance

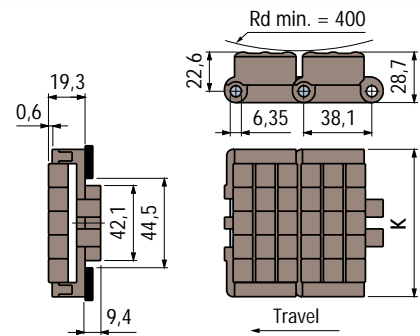
XLBP 831

Straight Running: Single Hinge, 38.1mm \triangleq 1 1/2" Pitch

Rexnord Chain No.	Material	Width K mm	Weight kg/m
XLBP831-K325	Rex - HP™ (Dark grey)	82,5	2,2

Pin material: stainless steel.
Standard length: 40 pitches 5 ft (1.524 m)

See page 76/77



The base chain is the same as the 821 series. The two types of chain differs for the material and for the fixing method of the roller pins (safety hold system for the SLBP821 series).

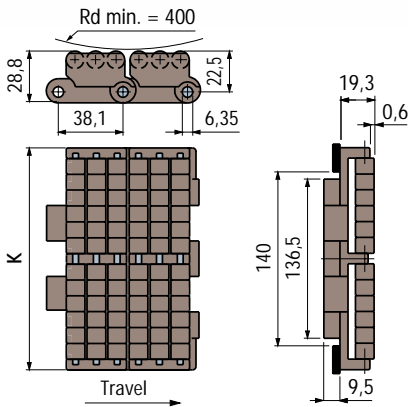
Serie SLBP 821. The safety hold system used for the roller pins is guaranteed by positive double retention (one end has conical coupling and the other is knurled).

Rex-HP™ (High Performance) material guarantees superior service and reduced noise. Product friction and accumulation pressures are reduced by 20 % with single power traction unit. Chain wear as well as chain sagging are also lower. The roller pins have inner supports for an improved stability and better product flow.

Low Backline Pressure Chains

Thermoplastic


LBP 821



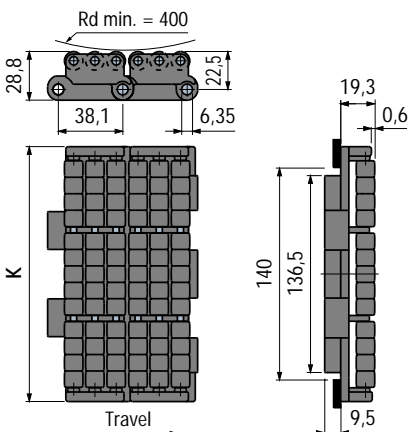
Straight Running: Double Hinge, 38.1 mm \triangle 1 1/2" Pitch

Rexnord Chain No.	Material	Width K mm	Weight kg/m
LBP821-K750	Rex-LF® (Brown)	190,5	6,1

Pin material: stainless steel
Standard length: 80 pitches 10 ft (3.048 m)

See page 78/79 

SLBP 821




Rex-HP™ = High Performance

Straight Running: Double Hinge, 38.1 mm \triangle 1 1/2" Pitch

Rexnord Chain No.	Material	Width K mm	Weight kg/m
SLBP821-K 750	Rex-HP™ (Dark grey)	190,5	6,1
SLBP821-K1000		254	7,6
SLBP821-K1200		304,8	9,1

Pin material: stainless steel.
Standard length: 80 pitches 10 ft (3.048 m)

See page 78/79 

Low Backline Pressure Chains

Thermoplastic

Series SLBP882 TAB. The base chain is the same as the 882 TAB series. *Rex-HP™* (High Performance) material guarantees superior service and reduced noise. Product friction as well as accumulation pressures are reduced by 20% (with single power traction unit). Reduced wear and chain sagging. Roller pin holding is guaranteed by a double retention system (one end has conical fitting and the other is knurled). The roller pins have inner supports for an improved stability and better product flow.

LBP 882 TAB



Sideflexing: Single Hinge, 38.1mm \triangle 1 1/2" Pitch

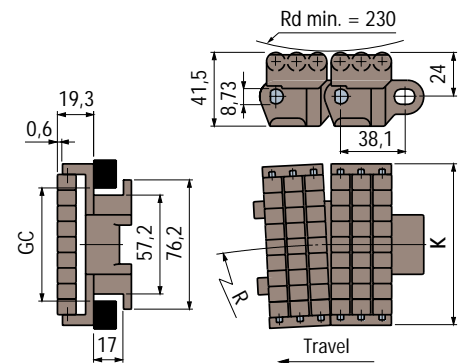
Rexnord Chain No.	Material	Width K mm	Radius min. R mm	GC		Weight kg/m
				Straight mm	Curve mm	
LBP882TAB-K375	Rex-LF® (Brown)	95,2	667	60	58	3,7

Pin material: stainless steel.
Standard length: 80 pitches 10 ft (3.048 m)

See page 98/99



See page 82/83



SLBP 882 TAB



Rex-HP™ = High Performance

Sideflexing: Single Hinge, 38.1mm \triangle 1 1/2" Pitch

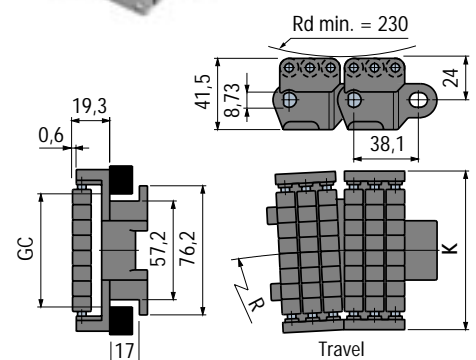
Rexnord Chain No.	Material	Width K mm	Radius min. R mm	GC		Weight kg/m
				Straight mm	Curve mm	
SLBP882TAB-K375	Rex-HP™ (Dark grey)	95,2	667	60	58	3,9

Pin material: stainless steel.
Standard length: 80 pitches 10 ft (3.048 m)

See page 98/99



See page 82/83



Series SLBP882TAB. The base chain is the same as the 882 TAB series. *Rex-HP™* (High Performance) material guarantees superior service and reduced noise. Product friction as well as accumulation pressures are reduced by 20% (with single power traction unit). Reduced wear and chain sagging. Roller pin holding is guaranteed by a double retention system (one end has conical fitting and the other is knurled). The roller pins have inner supports for an improved stability and better product flow.

Low Backline Pressure Chains

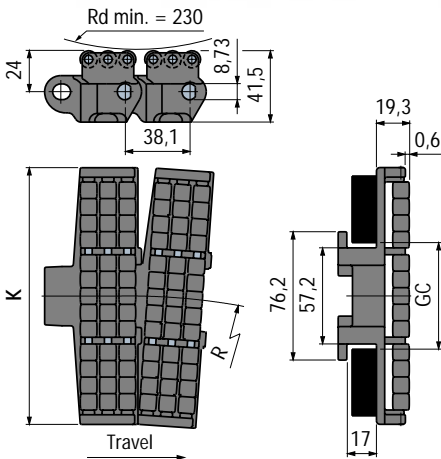
Thermoplastic

SLBP 882 TAB



Rex - HP™ = High Performance

Sideflexing: Single Hinge, 38.1mm \triangle 1 1/2" Pitch



Rexnord Chain No.	Material	Width K mm	Radius min. R mm	GC		Weight kg/m
				Straight mm	Curve mm	
BP82TAB-K750	Rex - HP™ (Dark grey)	190,5	610	60	58	6,1

Pin material: stainless steel.

Standard length: 80 pitches 10 ft (3.048 m)

See page 98/99



See page 82/83



Low Backline Pressure Chains

Thermoplastic



Series LBP 883. These low backline pressure chains have been designed for conveying large or packaged products. The LBP 883 can be used on straight running and sideflexing conveyors.

Due to the favorable backline pressure conditions, a maximum protection of the goods being conveyed is obtained. These chains operate on standard 882 style sprockets.

Series LBP 879 BO. Ideal to convey boxes, cluster-pack and delicate products. Small sideflexing radius (R min = 200 mm). Tangential sprocket, bidirectional.



Sideflexing: Single Hinge, 38.1mm \triangle 1 1/2" Pitch

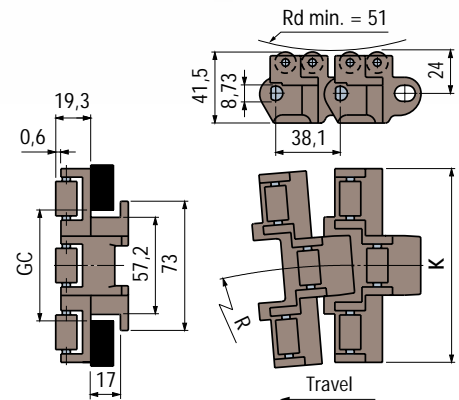
Rexnord Chain No.	Material	Width K mm	Radius min. R mm	GC		Weight kg/m
				Straight mm	Curve mm	
LBP883TAB-K450 LBP883TAB-K750	Rex-LF[®] (Brown)	114,3 190,5	610	60	58	2,5 3,4

Pin material: stainless steel.
Standard length: 80 pitches 10 ft (3.048 m)

See page 98/99



See page 82/83



Sideflexing: Single Hinge, 38.1mm \triangle 1 1/2" Pitch

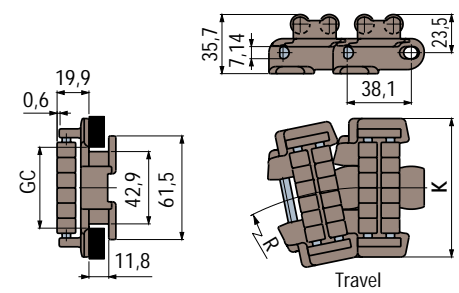
Rexnord Chain No.	Material	Width K mm	Radius min. R mm	GC		Weight kg/m
				Straight mm	Curve mm	
LBP879BO-K325	Rex-LF[®] (Brown)	82,5	200	46	44,2	1,08

Pin material: stainless steel.
Standard length: 80 pitches 10 ft (3.048 m)

See page 89



See page 80/81

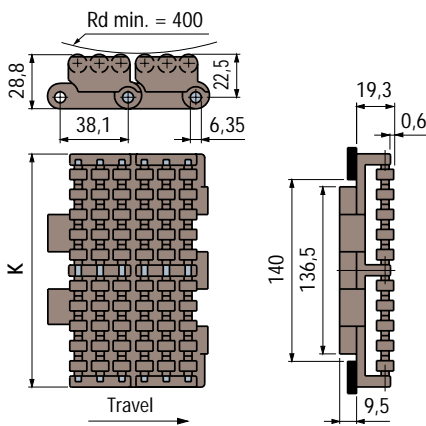


The base chain is the same as the 821 series.
 The shape of the rollers permits the use of transfer combs, which can be installed instead of the dead tables at end of run transfers where product stability may create problems.

Low Backline Pressure Chains

Thermoplastic

FLBP 821



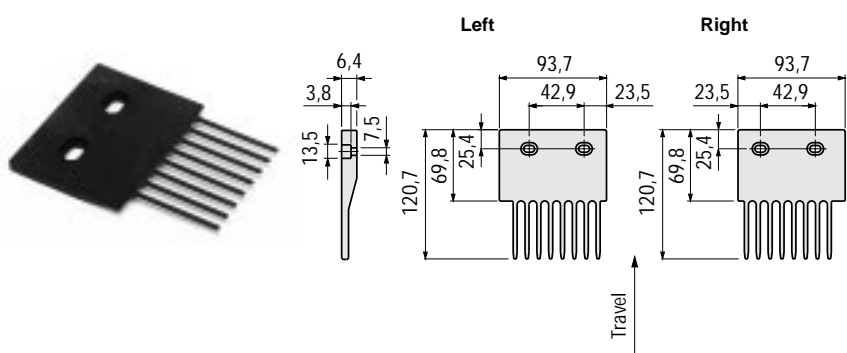
Straight Running: Double Hinge, 38.1 mm \triangle 1 1/2" Pitch

Rexnord Chain No.	Material	Width K mm	Weight kg/m
FLBP821-K750	Rex-LF[®] (Brown)	190,5	6,0

Pin material: stainless steel.
 Standard length: 80 pitches 10 ft (3.048 m)

See page 78/79

Transfer comb for FLBP 821: in Reinforced Polyamide (black)



Low Backline Pressure Chains

Thermoplastic

The base chain is the same as the 882 TAB series.
The shape of the rollers permits the use of transfer combs, which can be installed instead of the dead tables at end of run transfers where product stability may create problems.

FLBP 882 TAB



Sideflexing: Single Hinge, 38.1mm \triangleq 1 1/2" Pitch

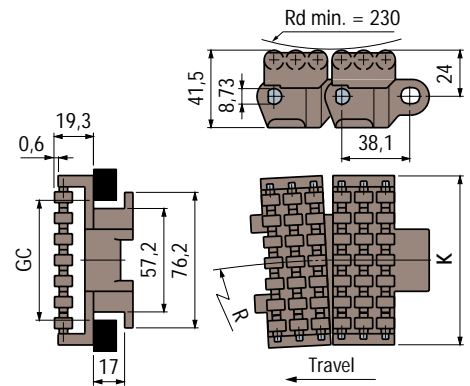
Rexnord Chain No.	Material	Width K mm	Radius min. R mm	GC		Weight kg/m
				Straight mm	Curve mm	
FLBP882TAB-K375	Rex-LF[®] (Brown)	95,2	667	60	58	3,6

Pin material: stainless steel.
Standard length: 80 pitches 10 ft (3.048 m)

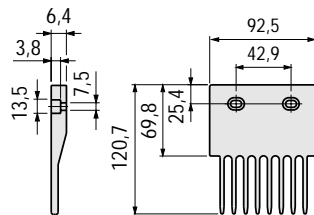
See page 98/99



See page 82/83



Transfer comb for FLBP 882 TAB: in Reinforced Polyamide (black)



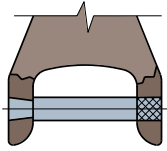
- *the unique solution to special problems!*
- *virtually nothing is impossible with the Rexnord Multiflex chain*
- *for corner turns in the most confined spaces*

Multiflex Chains



Multiflex Chains

Thermoplastic



In chains of the series ...K the fastening of the connecting pins is guaranteed by a double system: one end is conically fitted and the other is knurled.

Series 1700 K. The use of lateral corner disks guarantees the design of compact systems of different configurations and with increased number of curves. In the accumulation area is possible to realise 60-70 mt. runs with a single power traction unit. It is recommended for the food and packaging industries (transfer of beverage containers "Brick" / "Pack" types or similar, cans, boxes). Suitable also for conveying of free pallets for the mechanical and automotive industries.

Series 1700 TAB K. The base chain is similar to the 1700 K. The TAB guides consent transfers from flat to inclined runs and viceversa. Can be used in curves either with or without corner disks.

Rex-HP™ = High Performance

Sideflexing: 50 mm Pitch

Rexnord Chain No.	Material		Radius min. R mm	GC		Weight kg/m
	Link	Pin		Straight	Curve	
C1700K	Acetal D (White)	Stainless Steel	140	58	-	1,26
B1700K WLF1700K	Rex-LF® (White)	Zinc Plated Stainless Steel				
LF1700K A1700K	Rex-LF® (Brown)	Zinc Plated Stainless Steel				
HP1700K	Rex-HP™ (Dark grey)	Stainless Steel				

Pivot material: polyamide.

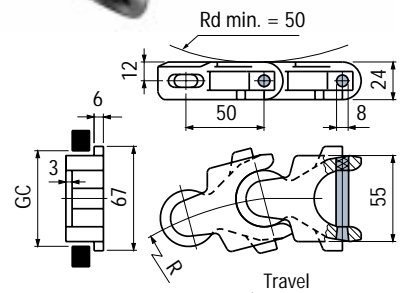
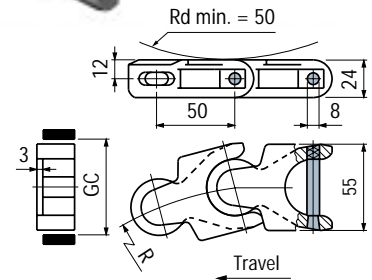
Accessories: pin extractor (see page 92).

Standard length: 200 pitches 32.8 ft (10 m)

See page 90/91/92



See page 86/87



Sideflexing: 50 mm Pitch

Rexnord Chain No.	Material		Radius min. R mm	GC		Weight kg/m
	Link	Pin		Straight	Curve	
WLF1700TABK	Rex-LF® (White)	Stainless Steel	140	58	58	1,30

Pivot material: polyamide.

Accessories: pin extractor (see page 92).

Standard length: 200 pitches 32.8 ft (10 m)

See page 90/91



See page 86/87



See page 100



Multiflex Chains

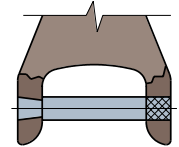
Thermoplastic

Series AC 1700 C. The base chain is the same as the 1700 K series. The top surface is made of hardened steel therefore highly resistant to wear.

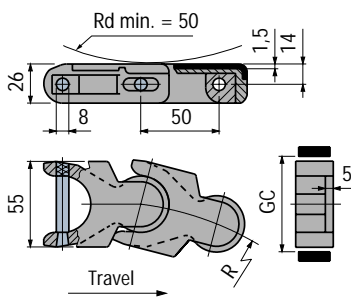
It is highly recommended for the mechanical and automotive industries (transport and accumulation of metallic products with sharp edges, rough casting surfaces etc.)

Series 1701. The chain features inclined guide sides. This guiding system tends to hold the chain when curving, at the same time allows easy chain removal for cleaning operations. Bi-directional travel.

In chains of the series ...K the fastening of the connecting pins is guaranteed by a double system: one end is conically fitted and the other is knurled.



AC 1700 K



Sideflexing: 50 mm Pitch, Hardened Steel Top Plates

Rexnord Chain No.	Material		Radius min. R mm	GC		Weight kg/m
	Link	Pin		Straight	Curve	
AC1700K	Acetal D (Grey)	Zinc Plated	140	58	-	1,90

Pivot material: polyamide.

Top plate characteristics:
material: zinc plated steel (yellow).
surface hardness: 50-55 HRC.
hardened depth: 0,1 mm.

Accessories: pin extractor (see page 92).

Standard length: 200 pitches 32.8 ft (10 m)

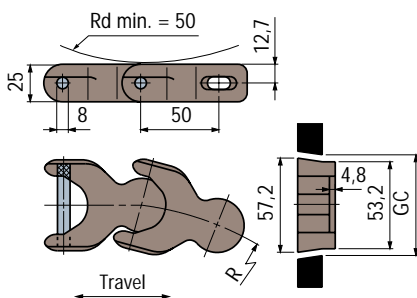
See page 90/91



See page 86/87



1701



Sideflexing: 50 mm Pitch

Rexnord Chain No.	Material		Radius min. R mm	GC		Weight kg/m
	Link	Pin		Straight	Curve	
1701	Rex-LF® (Brown)	Stainless Steel	140	59,5	55,6	1,42

Pivot material: polyamide.

Accessories: pin extractor (see page 92).

Standard length: 61 pitches 10 ft (3.05 m)

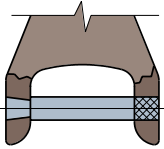
See page 86/87



Multiflex Chains

Thermoplastic

Series 1790K. The base chain is the same as the 1700 K series. The configuration of the top surface presents a lower supporting area with consequent reduced product stability. Sliding type turning system. (Does not permit the use of corner discs).
Series 1701 TAB K. The base chain is the same as the 1790 K series. The TAB guides consent transfers from flat to inclined runs and viceversa.



In chains of the series ...K the fastening of the connecting pins is guaranteed by a double system: one end is conically fitted and the other is knurled.



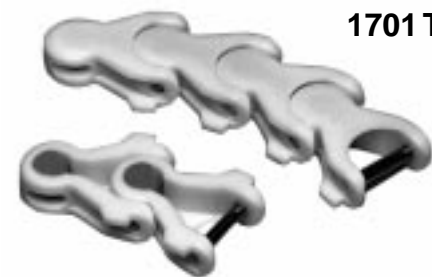
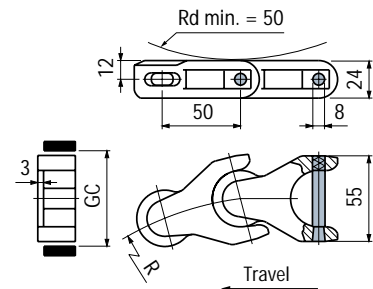
1790 K

Sideflexing: 50 mm Pitch

Rexnord Chain No.	Material		Radius min. R mm	GC		Weight kg/m
	Link	Pin		Straight mm	Curve mm	
WLF1790K	Rex-LF [®] (White)	Stainless Steel	140	58	58	1,26

Pivot material: polyamide.
 Accessories: pin extractor (see page 92).
Standard length: 200 pitches 32.8 ft (10 m)

See page 86/87



1701 TAB K

Sideflexing: 50 mm Pitch

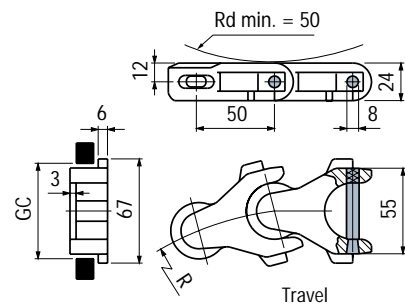
Rexnord Chain No.	Material		Radius min. R mm	GC		Weight kg/m
	Link	Pin		Straight mm	Curve mm	
WLF1701TABK	Rex-LF [®] (White)	Stainless Steel	140	58	58	1,30

Pivot material: polyamide.
 Accessories: pin extractor (see page 92).
Standard length: 200 pitches 32.8 ft (10 m)

See page 100



See page 86/87



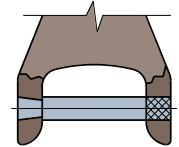
These chains feature flush guide sides to guarantee a more efficient sanitation. Sliding type turning system. Recommended for the dairy and food industries.

Series 1702. Similar to the 1716 K series except for the material (which is FDA approved for direct contact with food stuff) and for the bi-directional use.

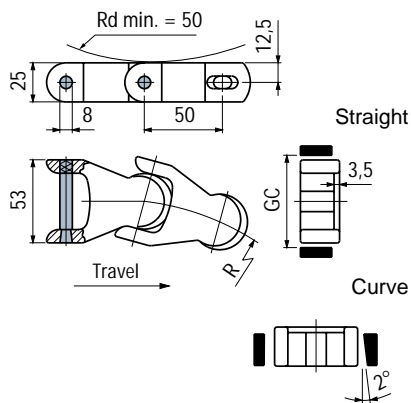
Multiflex Chains

Thermoplastic

In chains of the series ...K the fastening of the connecting pins is guaranteed by a double system: one end is conically fitted and the other is knurled.



1716 K



Sideflexing: 50 mm Pitch

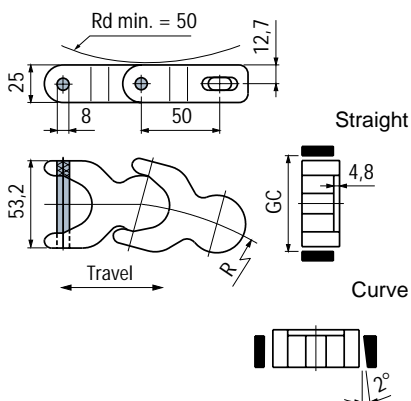
Rexnord Chain No.	Material		Radius min. R mm	GC		Weight kg/m
	Link	Pin		Straight mm	Curve mm	
W1716K	Acetal D (White)	Stainless Steel	170	59,5	56,8	1,77

Pivot material: polyamide.
Accessories: pin extractor (see page 92).
Standard length: 200 pitches 32.8 ft (10 m)

See page 86/87



1702



Sideflexing: 50 mm Pitch

Rexnord Chain No.	Material		Radius min. R mm	GC		Weight kg/m
	Link	Pin		Straight mm	Curve mm	
WLF1702	Rex-LF® (White)	Stainless Steel	140	59,5	56,8	1,43

Pivot material: polyamide.
Accessories: pin extractor (see page 92).
Standard length: 61 pitches 10 ft (3.05 m)

See page 86/87



Multiflex Chains

Thermoplastic

Series 1755. Reduced pitch (40 mm) Can be used with corner discs. Recommended for light duty (empty cans).
Series A 3150. High load carrying capacity (tensile stress 19600N). Sliding type turning system. Recommended for conveying crates and bottles to rinsing, filling, packing stations.



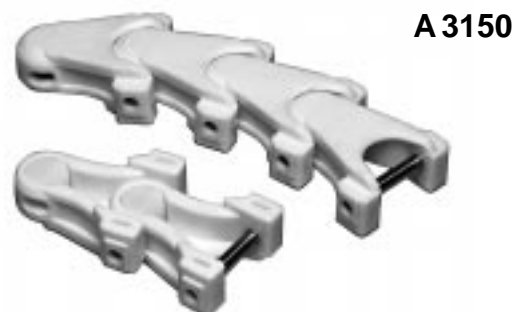
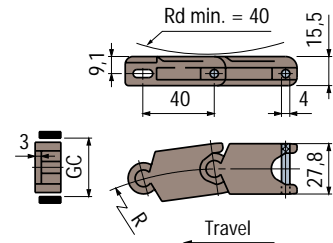
Sideflexing: 40 mm Pitch

Rexnord Chain No.	Material		Radius min. R mm	GC		Weight kg/m
	Link	Pin		Straight mm	Curve mm	
1755	Rex-LF ® (Brown)	Stainless Steel	136,5	30,5	-	0,37

Pivot material: polyamide.

Standard length: 152 pitches 20 ft (6.080 m)

See  page 92 See  page 87




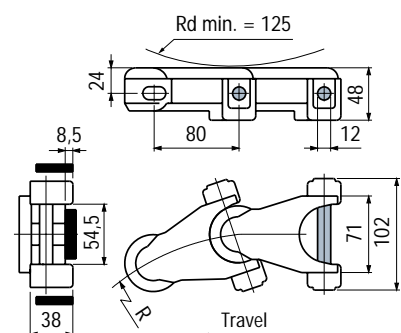
Sideflexing: 80 mm Pitch

Rexnord Chain No.	Material		Radius min. R mm	Weight kg/m
	Link	Pin		
W3150	Acetal D (White)	Stainless Steel	450	3,75
WLF3150	Rex-LF ® (White)			
A3150	Rex-LF ® (Brown)			

Pivot material: polyamide.

Standard length: 76 pitches 20 ft (6 m)

See  page 87

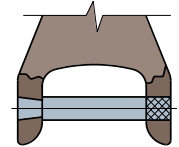


The base chain is the same as the 1700 K series. The Top plates have a large, uniform and continuous surface. Both type of chains can be used with turning wheels. They cannot be curved upwards or downwards.

Multiflex Chains

Thermoplastic

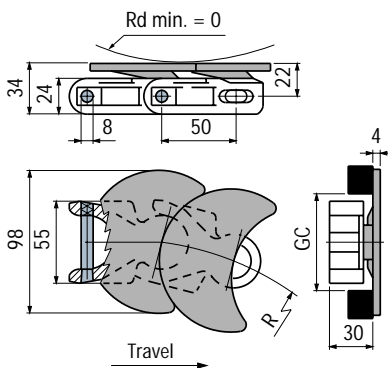
In chains of the series ...K the fastening of the connecting pins is guaranteed by a double system: one end is conically fitted and the other is knurled.



1710 K



Sideflexing: 50 mm Pitch



Rexnord Chain No.	Material		Radius min. R mm	GC		Weight kg/m
	Link	Top plate/Pivot		Straight mm	Curve mm	
WLF1710K	Rex-LF® (White)	Polyamide (Grey)	140	58	-	1,88

Pin material: stainless steel
 Accessories: pin extractor (see page 92).
Standard length: 200 pitches 32.8 ft (10 m)

See page 90/91



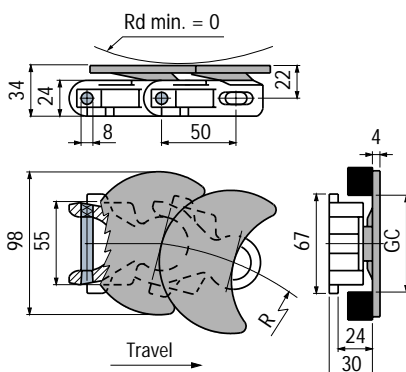
See page 86/87



1710TABK



Sideflexing: 50 mm Pitch



Rexnord Chain No.	Material		Radius min. R mm	GC		Weight kg/m
	Link	Top plate/Pivot		Straight mm	Curve mm	
WLF1710TABK	Rex-LF® (White)	Polyamide (Grey)	140	58	58	1,93

Pin material: stainless steel
 Accessories: pin extractor (see page 92).
Standard length: 200 pitches 32.8 ft (10 m)

See page 90/91



See page 86/87



See page 100



Multiflex Chains

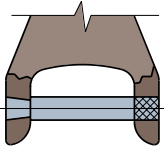
Thermoplastic

The base chain is the same as the 1700 K series. The riveting of the Top plates to the links is guaranteed even in case of repeated impacts.

The chain design ensures the overlapping of the Top plates even with very tight turning radiuses.

It is recommended for use when particular safety requirements for the protection of hands and clothing have to be observed.

The materials are FDA approved. Sliding type curving system .



In chains of the series ...K the fastening of the connecting pins is guaranteed by a double system: one end is conically fitted and the other is knurled.



1713K

Sideflexing: 50 mm Pitch

Rexnord Chain No.	Material		Radius min. R mm	GC		Weight kg/m
	Link	Top plate		Straight mm	Curve mm	
WLF1713K	Rex-LF ® (White)	Acetal D (White)	500	58	58	2,70

Material:

Pin in stainless steel.

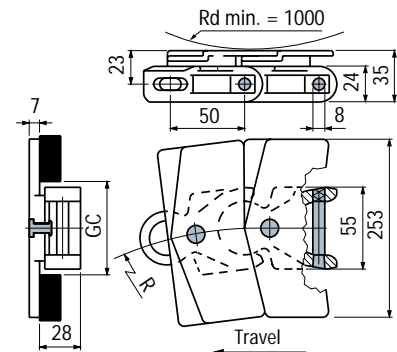
Polyamide pivot.

Inox AISI 304 rivet.

Accessories: pin extractor (see page 92).

Standard length: 200 pitches 32.8 ft (10 m)

See page 86/87



1713TABK

Sideflexing: 50 mm Pitch

Rexnord Chain No.	Material		Radius min. R mm	GC		Weight kg/m
	Link	Top plate		Straight mm	Curve mm	
WLF1713TABK	Rex-LF ® (White)	Acetal D (White)	500	58	58	2,75

Material:

Pin in stainless steel.

Polyamide pivot.

Inox AISI 304 rivet.

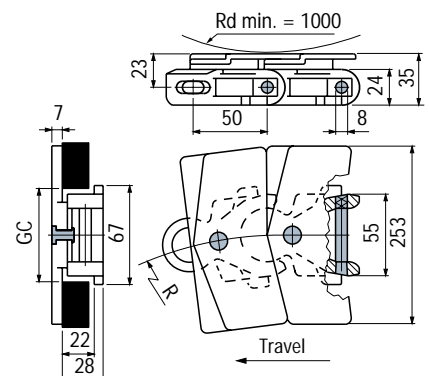
Accessories: pin extractor (see page 92).

Standard length: 200 pitches 32.8 ft (10 m)

See page 100



See page 86/87



- *for the toughest jobs*
- *simple design*

Case Conveyor Chains



Case Conveyor Chains

from Acetal

Sideflexing

A new series of conveying chains with a simple two piece construction.

Hard wearing acetal which provides highly resistant wear surfaces and a low coefficient of friction.

Stainless steel pins provide for articulation and flexing of the chain and utilise a simple but effective method for retention in the sidebars-preventing premature wear.

The chain may be assembled or disassembled without special tools.



**A 600
A 1400**

Case conveyor Chains from Acetal

Rexnord Chain No.	Material	Pitch p mm	Width K mm	Diameter of pin E mm	Max. Sprocket Face B mm	Depth of Sidebar H mm	Weight kg/m
A 600	Acetal	63,5	43	11	14,3	29	1,44
A 1400	Acetal	82,5	50	11	15,9	38	2,08

Pin material: stainless steel

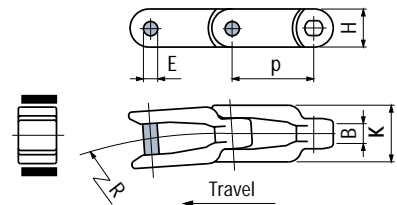
All chains will flex around a 600 mm radius.

Colour: white.

Standard length A 600: 96 pitches 20 ft (6.096 m)

Standard length A 1400: 74 pitches 20 ft (6.105 m)

See
page 85



**A 600 TAB
A 1400 TAB**

Case conveyor Chains from Acetal

Rexnord Chain No.	Material	Pitch p mm	Width K mm	Diameter of pin E mm	Max. Sprocket Face B mm	Depth of Sidebar H mm	Width over Lug J mm	Height of Lug G mm	Weight kg/m
A 600 TAB	Acetal	63,5	43	11	14,3	29	54	18	1,49
A 1400 TAB	Acetal	82,5	50	11	15,9	38	66	19	2,26

Pin material: stainless steel

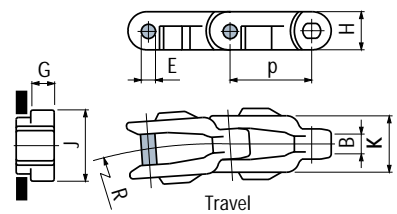
All chains will flex around a 600 mm radius.

Colour: white.

Standard length A 600 TAB: 96 pitches 20 ft (6.096 m)

Standard length A 1400 TAB: 74 pitches 20 ft (6.105 m)

See
page 85



*Special
Chains*

Special Chains

from Acetal

Series 1108. Recommended for packaging machines of the pharmaceutical, cosmetic and food industries.

When installed laterally to the base chain it eases product transport during head transfers.

Series 1080. Recommended for closed ring transport (lateral traction drive).



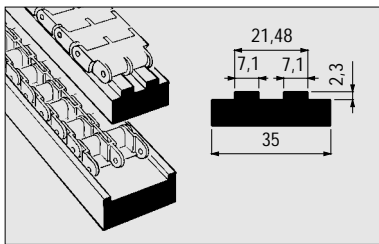
1108

Straight Running: Miniature conveyor chain

Rexnord Chain No.	Material		Width K mm	Weight kg/m
	Link	Pin		
ZN1108	Acetal D (White)	Zinc plated	32	0,51
SS1108		Stainless Steel		

Standard length: 395 pitches 16.4 ft (5 m)

See page 88



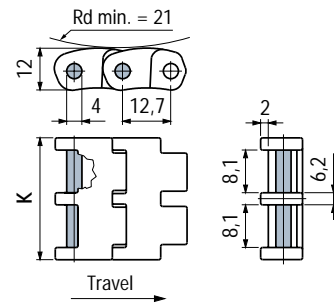
Chain guides

Transport run:

Use a T section for double roller chain "type ASA 40,2" (PE polyethylene with 1.000.000 molecular weight).

Return run:

Use a PE polyethylene section with 1.000.000 molecular weight or a stainless steel U section.



1080

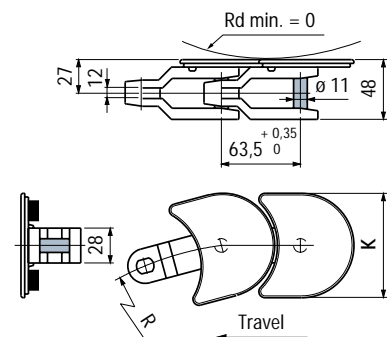
Sideflexing: Articulated chain with top plates

Rexnord Chain No.	Material link/top plate	Width K mm	Radius min. R mm	Weight kg/m
W1080SS	Acetal D (White)	85	83	1,76

Pin material: stainless steel.

Standard length: 128 pitches 26.2 ft (8 m)

See page 88

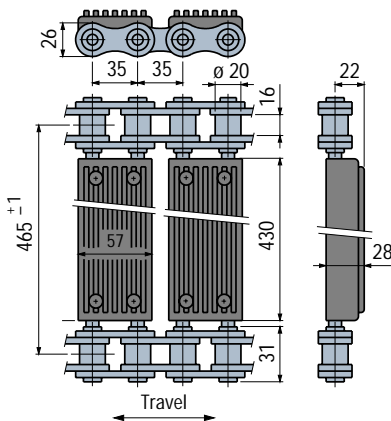
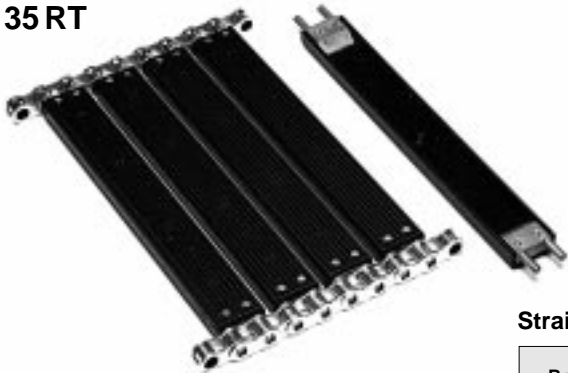


The Rubber-Top chain 35 RT K1700 is especially developed for inclined conveyors for crates, trays and boxes. The rigid slats of the chain have a vulcanized, specially shaped surface to ensure maximum grip. The system is designed for an inclination of 20 degrees and a max difference in height of 5,7 mtrs. For proper function of this chain special kits for support are available.

Rubber-Top Chains

Straight Running

35 RT



Straight Running: Rubber-Top Chain, 35 mm Pitch

Rexnord Chain No.	Material			Weight kg/m
	Roller chain	Slat	Mounting block	
35 RT K 1700	Zinc-plated steel	Steel profile with vulcanized rubber (NBR)	Aluminium	19,5

Standard length: 71 pitches 8.2 ft (2.5 m)

See page 88

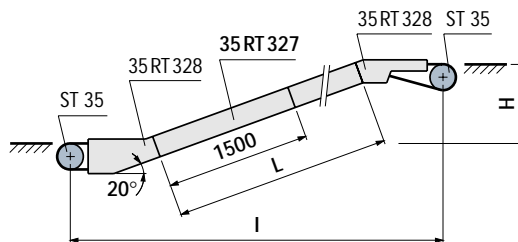


Technical information:

- Max. working load: 7000 N
- Max. weight/linear M: 90 kg/M
- Max. centre distance: 17 M
- Max. speed: 15 M/min.
- Hardness rubber slats: 60 Shore

Dimensional characteristics of the conveyor:

The chain features a system of guides designed for modular assembly. The system of modular assembling of the intermediate straight guides (see 35 RT 327) permits the realisation of conveyors of different lengths depending on the number of guides used. It is possible to assemble a maximum of 11 straight guides.



I = Span
H = Rise
L = 1500 x No. of straight guides used (1500: is the length of 1 straight guide, see 35 RT 327)

According to the span (I) and the rise required (H), the table gives:

- number of straight guides (35 RT 327) to be used.
- length (L).
- total length of the chain.

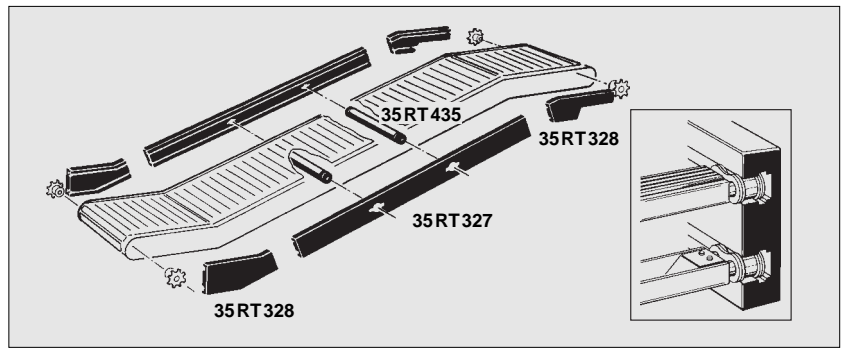
Example: to design a conveyor with span I = 8196 mm and rise H = 2603 mm, is necessary to use No. 5 straight guides (35 RT 327). The corresponding length L is 7500 mm, and the total length of the chain is 17863 mm.

	Length L (mm)										
	1500	3000	4500	6000	7500	9000	10500	12000	13500	15000	16500
No. of straight guides (35 RT 327)	1	2	3	4	5	6	7	8	9	10	11
H (mm)	551	1064	1577	2090	2603	3116	3629	4142	4655	5168	5681
I (mm)	2558	3968	5377	6787	8196	9606	11015	12425	13834	15244	16654
Total length of chain (mm)	5863	8863	11863	14863	17863	20863	23863	26863	29863	32863	35863

Rubber-Top guides

for Series 35 RT

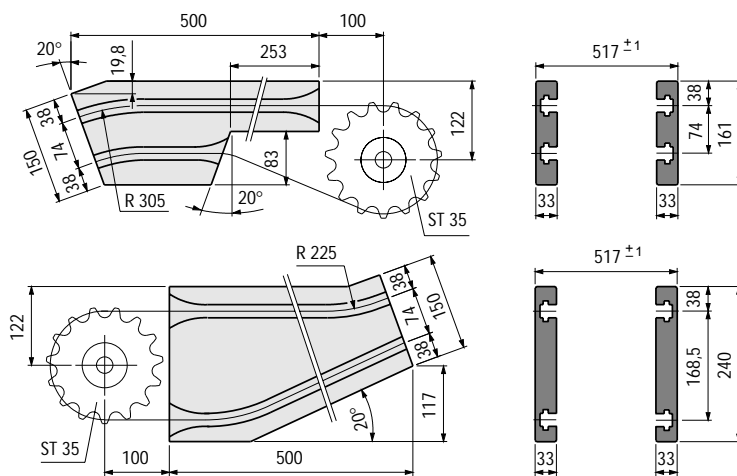
The chain feature a modular system for assembling the guides which consent upgrading or downgrading layouts with **fixed 20° grade**.



Drive and idler side kits

Rexnord Chain No.	Material	Weight kg
35 RT328	Polyethylene PE (black) with molecular density 1.000.000	7,64

Packaging: 1 kit.
1 set exists of N. 2 sections for top curves (right+left) plus N. 2 sections for bottom curves (right+left).



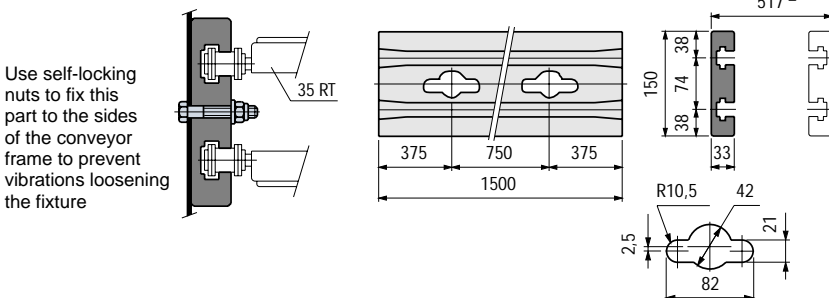
35 RT 328



Straight guides

Rexnord Chain No.	Material	Weight kg
35 RT327	Polyethylene PE (black) with molecular density 1.000.000	5,24

Packaging: 2 pieces.
Assembly: modular composition.



Use self-locking nuts to fix this part to the sides of the conveyor frame to prevent vibrations loosening the fixture

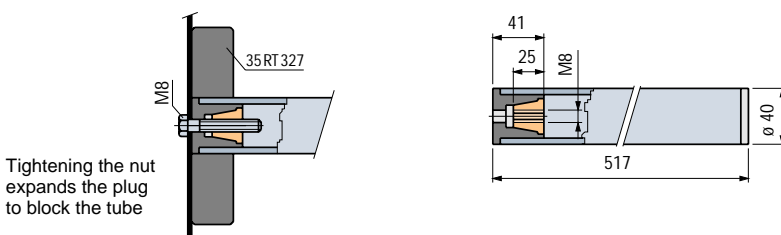
35 RT 327



Connecting spacer

Rexnord Chain No.	Tube material	Weight kg
35 RT 435	Stainless Steel AISI 304	0,90

Material expansion plug: body in reinforced polyamide PA FV, brass expansion bush.
Packaging: 16 pieces.



Tightening the nut expands the plug to block the tube

35 RT 435



As base chain is the same as the 880 BO series.
 The moulded pushing fin permits to transport round products
 (gears, bearings etc.)
 Reduced turning circle (R min = 200 mm), possibility of lateral
 traction.

Thermo- plastic TableTop® Chains

With Pushers

880 BO F



Radius min. = 200

Sidexflexing: Single Hinge, 38.1mm \triangle 1 1/2" Pitch

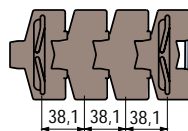
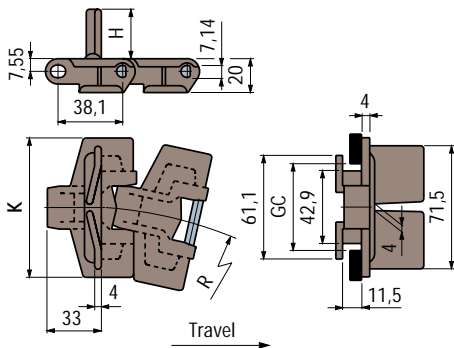
Rexnord Chain No.	Material	Width K mm	H mm	Radius min. R mm	GC		Weight kg/m
					Straight	Curve	
					mm	mm	
LF880BO-K325F25	Rex-LF® (Brown)	82,5	25	200	46	44,2	0,96
LF880BO-K325F39			39				

Pin material: stainless steel
Standard length: 80 pitches 10 ft (3.048 m)

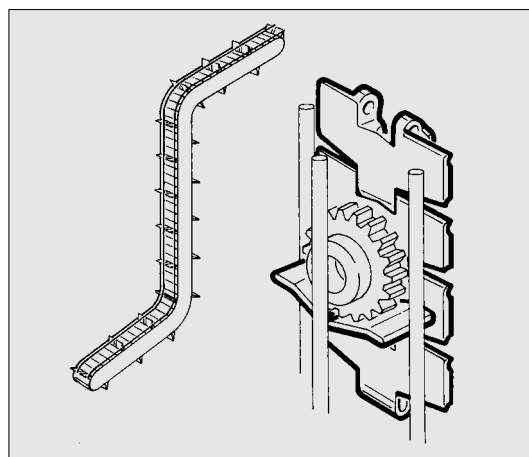
See
 page 89



See
 page 80/81



Special configurations
 on request. Indicate the
 distance between pushers
 at the time of ordering.



Vacuum Chains

Thermoplastic

Recommended for single strand vacuum systems (empty aluminium cans). Substitutes the magnetic system.

Series 820 Vacuum. The base chain is the same as the 820 series. Available with 2 or 3 perforation per link (V2) or (V3).

Series 880 TAB Vacuum. The base chain is the same as the 880 TAB series. Available with 1 or 2 perforation per link (V1) or (V2).

Straight Running: Single Hinge, 38.1mm \triangle 1 1/2" Pitch

Rexnord Chain No.	Material	Width K mm	Hole dia.		l mm	Weight kg/m
			d1 mm	d2 mm		

V2 - Two holes

LF820-K325V2	Rex-LF[®] (Brown)	82,5	6,5	-	19	0,83
LF820-K350V2		88,9	4	-	45	0,87
LF820-K450V2 I30		114,3	8	-	30	1,03
LF820-K450V2 I50		114,3	8	-	50	1,03

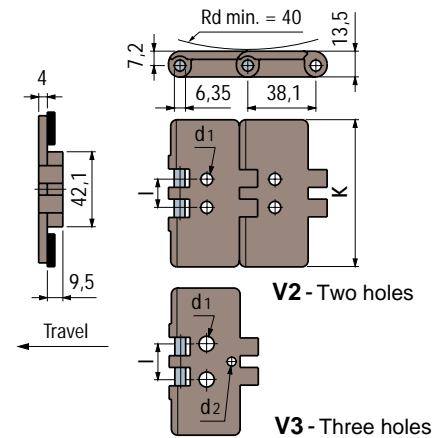
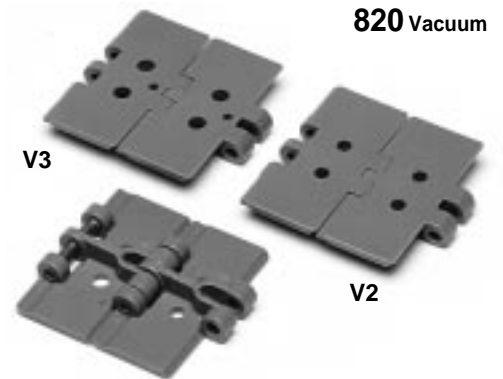
V3 - Three holes

LF820-K325V3	Rex-LF[®] (Brown)	82,5	7,9	4,4	20	0,83
--------------	--------------------------------------	------	-----	-----	----	------

Pin material: stainless steel.

Standard length: 80 pitches 10 ft (3.048 m)

See page 76/77



Sideflexing: Single Hinge, 38.1mm \triangle 1 1/2" Pitch

Rexnord Chain No.	Material	Width K mm	Hole dia. d1 mm	l mm	Radius min. R mm	GC		Weight kg/m
						Straight mm	Curve mm	

V1 - One hole

LF880TAB-K325V1...*	Rex-LF[®] (Brown)	82,5	5 - 6 - 6,5 8 - 10	-	457	46	44,2	0,94
---------------------	--------------------------------------	------	-----------------------	---	-----	----	------	------

V2 - Two holes

LF880TAB-K325V2...*	Rex-LF[®] (Brown)	82,5	6	24	457	46	44,2	0,94
LF880TAB-K325V2...*			8	20				
LF880TAB-K450V2		114,3	6	24	610	46	44,2	1,08

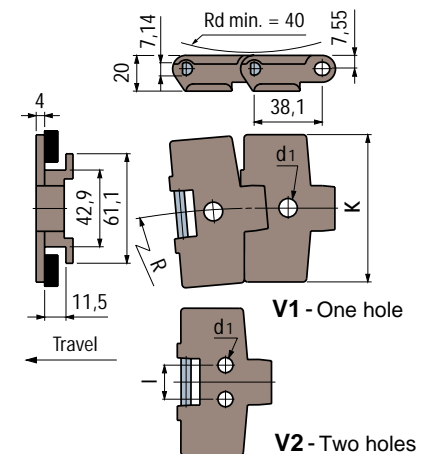
Pin material: stainless steel.

Standard length: 80 pitches 10 ft (3.048 m)

See page 80/81



* = On order indicate the hole dia. d1.



*Sprockets
and Idler
Wheels*

*Corner
Tracks and
Straight
Tracks*

Sprockets

for Series 812, 815, 881 M, SSR 812 Rubber Top

Split Thermoplastic (NS) Sprockets

Rexnord Order No.	No of Teeth		Pitch Dia. d mm	Outside Dia. da mm	Finished Bore with Keyway d1	L mm	Ln mm	Weight kg
	Actual	Effective						

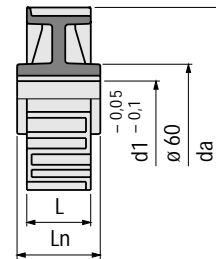
Bore (mm)

NS 815 T21 R...	21	10,5	129,26	129,5	25 30 35 40 45	52	51	0,47
NS 815 T23 R...	23	11,5	141,22	142	25 30 35 40 45	52	51	0,55
NS 815 T25 R...	25	12,5	153,21	154,2	25 30 35 40 45	54	58,5	0,60

Bore (inch)

NS 815 T21 R...	21	10,5	129,26	129,5	1" 11/4" 2"	52	51	0,47
NS 815 T23 R...	23	11,5	141,22	142	1" 11/4" 11/2" 1 3/4" 2"	52	51	0,55
NS 815 T25 R...	25	12,5	153,21	154,2	1" 11/4" 11/2" 2"	54	58,5	0,60

Material: sprocket in reinforced polyamide (black). Keyway: UNI 6604-69. See page 104.
Bolts in stainless steel AISI 304, nuts in nickel plated brass. Max recommended tightening torque: 1 kgm.



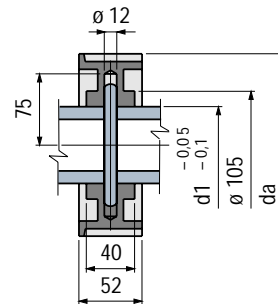
NS 815



Split Thermoplastic (NS) Sprockets

Rexnord Order No.	No of Teeth		Pitch Dia. d mm	Outside Dia. da mm	Finished Bore d1 mm	Weight kg
	Actual	Effective				

Material: sprocket in reinforced polyamide (black). Max recommended tightening torque: 1 kgm.
Bolts and nuts in stainless steel AISI 304. Use: tunnel washing machines, wide accumulation tables.
Keying to tubular shaft with ø12 cylindrical pin.



NS 815



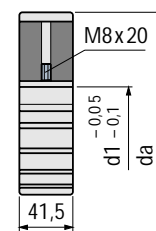
Split Thermoplastic (KUS) Sprockets

Rexnord Order No.	No of Teeth		Pitch Dia. d mm	Outside Dia. da mm	Finished Bore with Keyway d1 mm	Weight kg
	Actual	Effective				

- ★ KUS 815 T19 R... 19 9,5 117,35 117 20• 30 35 40 0,45
- KUS 815 T21 R... 21 10,5 129,26 129,5 20• 30 35 40 0,58
- KUS 815 T23 R... 23 11,5 141,22 142 20• 30 35 40 0,65
- KUS 815 T25 R... 25 12,5 153,21 154,2 20• 30 35 40 50 60 0,77
- ★ KUS 815 T27 R... 27 13,5 165,21 166 20• 30 35 40 0,90

★ = Available upon request and minimum order quantity. Keyway: UNI 6604-69. See page 104.
• = Plain Bore. Without keyway. Max recommended tightening torque: 1 kgm.
Without grub screw. Tolerance d1 = +0,3 Half-section fixing nuts (self-locking).

Material: sprocket in polyamide (black). Bolts and nuts in stainless steel AISI 304.



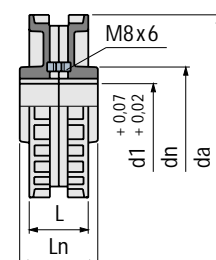
KUS 815



Thermoplastic (N) Sprockets

Rexnord Order No.	No of Teeth		Pitch Dia. d mm	Outside Dia. da mm	Finished Bore with Keyway d1 mm	dn mm	L mm	Ln mm	Weight kg
	Actual	Effective							

Material: sprocket in reinforced polyamide (black). Keyway: UNI 6604-69. See page 104.



N 820



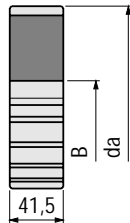
Sprockets Idler wheels

Example of codenumber : NS 815 T25 R 35 (including bore)

Sprockets

for Series 812, 815, 881 M, SSR 812 Rubber Top

KU 815

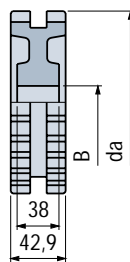


Thermoplastic (KU) Sprockets

Rexnord Order No.	No. of Teeth Actual Effective	Pitch Dia. d mm	Outside Dia. da mm	Plain Bore B mm	Max. Bore mm	Weight kg
KU 815 T19 R20	19 9,5	117,35	117	20	60	0,40
KU 815 T21 R20	21 10,5	129,26	129	20	67	0,50
KU 815 T23 R20	23 11,5	141,22	142	20	75	0,61
KU 815 T25 R20	25 12,5	153,21	154	20	80	0,74
KU 815 T27 R20	27 13,5	165,21	166	20	85	0,88

Material: polyamide (black)

GG 820

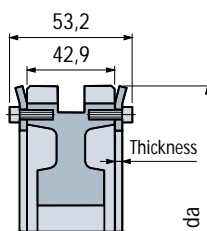


Semi-Steel (GG) Sprockets

Rexnord Order No.	No. of Teeth Actual Effective	Pitch Dia. d mm	Outside Dia. da mm	Plain Bore B mm	Max. Bore mm	Weight kg
GG 820 T19 R19	19 9,5	117,35	117	19	32	1,5
GG 820 T21 R19	21 10,5	129,26	129	19	45	1,8
GG 820 T23 R19	23 11,5	141,22	142	19	45	2,0
GG 820 T25 R19	25 12,5	153,21	154	19	50	2,1
GG 820 T27 R19	27 13,5	165,21	166	19	50	2,2
GG 820 T29 R19	29 14,5	177,24	179	19	50	2,4
GG 820 T31 R19	31 15,5	189,27	191	19	50	2,5
GG 820 T41 R19	41 20,5	249,59	252	19	50	3,9

Accessories: guide rings.

S 815 - SS 815

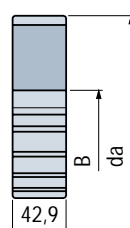


815 Guide Rings, Steel (S), Stainless Steel (SS)

Rexnord Order No.		No. of Teeth of Sprocket	Outside Dia. da mm	Thickness mm	Weight kg
Steel	Stainless steel				
S 815 T19-20	SS 815 T19-20	19-20	116,3	3,2	0,17
S 815 T21-22	SS 815 T21-22	21-22	129,3	3,2	0,20
S 815 T23-24	SS 815 T23-24	23-24	141,2	3,2	0,21
S 815 T25-26	SS 815 T25-26	25-26	153,4	3,2	0,21
S 815 T27-28	SS 815 T27-28	27-28	165,9	3,2	0,24
S 815 T29	SS 815 T29	29	178,3	3,2	0,25
S 815 T31	SS 815 T31	31	190,5	3,2	0,30
S 815 T41	SS 815 T41	41	251,2	3,2	0,42

Supplied with fixing screws.

ST 815



Steel (ST) Sprockets

Rexnord Order No.	No. of Teeth Actual Effective	Pitch Dia. d mm	Outside Dia. da mm	Plain Bore B mm	Max. Bore mm	Weight kg
ST 815 T19 R20	19 9,5	117,35	117	20	60	1,5
ST 815 T21 R20	21 10,5	129,26	129	20	70	1,8
ST 815 T25 R20	25 12,5	153,21	154	20	75	2,1

Example of codenumber : KU 815 T19 R20

Idler Wheels

for Series 812, 815, 881 M, SSR 812 Rubber Top

Split Thermoplastic (NSXT) Idler Wheels

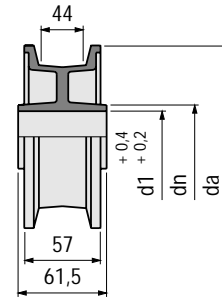
Rexnord Order No.	Equivalent No. of Teeth	Outside Dia. da mm	Finished Bore d1 mm	dn (mm)		Weight kg
				d1= 25-30	d1= 35-40	
NSXT 820 T21 R...	21	130	25 30 35 40	40	50	0,26
NSXT 820 T23 R...	23	142,5	25 30 35 40	40	50	0,29
NSXT 820 T25 R...	25	154,5	25 30 35 40 45	40	50	0,30

Material: polyamide (black).

Also available in Glistamide® black (special material).

Bolts and nuts in stainless steel AISI 304.

Max recommended tightening torque: 0,6 kgm.



NSXT 820



Thermoplastic (NXT) Idler Wheels

Rexnord Order No.	Equivalent No. of Teeth	Outside Dia. da mm	Finished Bore d1	dn			Weight kg
				mm	L mm	Ln mm	
Bore (mm)							
NXT 820 T15 R...	15	95,5	25 30	40	55	92	0,20
NXT 820 T17 R...	17	106,5	25 30	42	53	57	0,18
NXT 820 T18 R...	18	113	25 30	40	57	92	0,24
NXT 820 T19 R...	19	118	25 30 40	42 (51*)	57	57	0,20

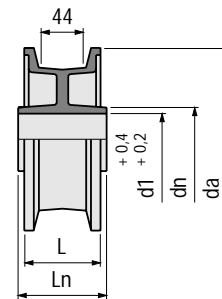
Bore (inches)

NXT 820 T19 R...	19	118	1"	42	57	57	0,20
NXT 820 T21 R...	21	130	1 1/4" 1 1/2"	40 (45) ■	60	61,5	0,22
NXT 820 T23 R...	23	142,5	1 1/4" 1 1/2"	40 (45) ■	59,5	61,5	0,27
NXT 820 T25 R...	25	154,5	1 1/4" 1 1/2"	40 (45) ■	59	61,5	0,30

* = only with d1 40.

■ = only with d1 1 1/2".

Material: polyamide (black).



NXT 820

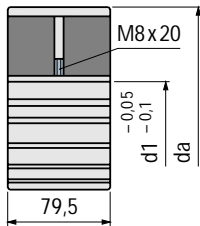


Example of codenumber : NSXT 820 T25 R 35 (including bore)

Sprockets

for Series 802, 805, SSC 802 Rubber Top

KUS 821



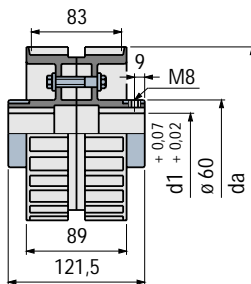
Split Thermoplastic (KUS) Sprockets

Rexnord Order No.	No of Teeth		Pitch Dia. d mm	Outside Dia. da mm	Finished Bore with Keyway d1 mm	Weight kg
	Actual	Effective				
KUS 821 T21 R...	21	10,5	129,26	129,5	20 • 35 40 45	1,03
KUS 821 T23 R...	23	11,5	141,22	142	20 • 35 40 45	1,23
KUS 821 T25 R...	25	12,5	153,21	154,2	20 • 35 40 45	1,46
★ KUS 821 T27 R...	27	13,5	165,21	166	20 • 35 40 45	1,67
★ KUS 821 T29 R...	29	14,5	177,24	179	20 • 35 40 45	2,06

★ = Available upon request and minimum order quantity.
 • = Plain Bore. Without keyway.
 Without grub screw. Tolerance $d1 = \begin{matrix} +0,3 \\ 0 \end{matrix}$
 Material: sprocket in polyamide (black). Bolts and nuts in stainless steel AISI 304.

Keyway: UNI 6604-69. See page 104.
 Max recommended tightening torque: 1 kgm.
 Half-section fixing nuts (self-locking).

N 800



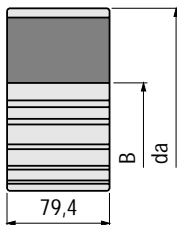
Thermoplastic (N) Sprockets

Rexnord Order No.	No of Teeth		Pitch Dia. d mm	Outside Dia. da mm	Finished Bore with Keyway d1 mm	Weight kg
	Actual	Effective				
N 800 T25 R...	25	12,5	153,21	154,2	30 35 40	1,05

Material: polyamide (black).
 Bolts and nuts in zinc plated steel.
 Boss reinforcing rings in zinc plated steel.

Keyway: UNI 6604-69. See page 104.

KU 821

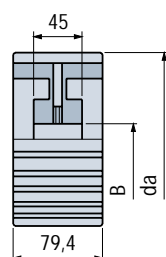


Thermoplastic (KU) Sprockets

Rexnord Order No.	No. of Teeth		Pitch Dia. d mm	Outside Dia. da mm	Plain Bore B mm	Max. Bore mm	Weight kg
	Actual	Effective					
KU 821 T21 R19	21	10,5	129,26	129	19	45	0,77
KU 821 T23 R19	23	11,5	141,22	142	19	45	0,88
KU 821 T25 R19	25	12,5	153,21	154	19	45	1,01
KU 821 T27 R19	27	13,5	165,21	166	19	45	1,19
KU 821 T29 R19	29	14,5	177,24	179	19	45	1,47

Material: polyamide (black)

GG 821



Semi-Steel (GG) Sprockets

Rexnord Order No.	No. of Teeth		Pitch Dia. d mm	Outside Dia. da mm	Plain Bore B mm	Max. Bore mm	Weight kg
	Actual	Effective					
GG 821 T21 R25,4	21	10,5	129,26	129	25,4	45	3,0
GG 821 T23 R25,4	23	11,5	141,22	142	25,4	45	3,2
GG 821 T25 R25,4	25	12,5	153,21	154	25,4	45	3,3
GG 821 T27 R25,4	27	13,5	165,21	166	25,4	45	3,4
GG 821 T29 R25,4	29	14,5	177,24	179	25,4	45	3,6

Example of codenumber : KUS 821 T25 R 35 (including bore)

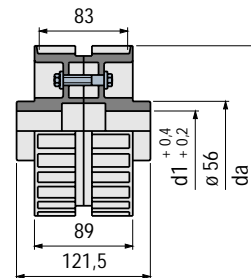
Idler Wheels

for Series 802, 805, SSC 802 Rubber Top

Thermoplastic (NX) Idler Wheels

Rexnord Order No.	No of Teeth		Pitch Dia. d mm	Outside Dia. da mm	Finished Bore d1 mm	Weight kg
	Actual	Effective				
NX 800 T25 R...	25	12,5	153,21	154,2	30 35 40	0,96

Bolts and nuts in zinc plated steel.



NX 800

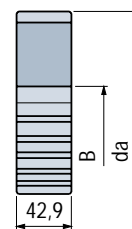


Sprockets

for Series 512

Steel (ST) Sprockets, 25.4 mm Pitch

Rexnord Order No.	No. of Teeth	Pitch Dia. d mm	Outside Dia. da mm	Plain Bore B mm	Max. Bore mm	Weight kg
ST 512 T13 R20	13	106,14	108	20	48	2,5
ST 512 T15 R20	15	122,17	124	20	56	3,4
ST 512 T17 R20	17	138,23	141	20	63	3,9
ST 512 T19 R20	19	154,32	157	20	70	5,0
ST 512 T21 R20	21	170,42	173	20	80	6,5
ST 512 T23 R20	23	186,54	190	20	85	8,3
ST 512 T25 R20	25	202,66	206	20	90	10,0



ST 512

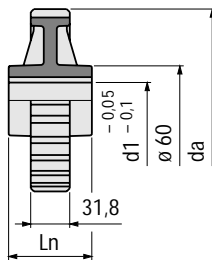


Example of codenumber : NX 800 T25 R **40** (including bore)

Sprockets

for Series 881, 8811, 8811 TAB, SSR 812-K 125/175,
SSR 812 TAB Rubber Top, SSC 8811 TAB Rubber Top

NS 881



Split Thermoplastic (NS) Sprockets

Rexnord Order No.	No of Teeth Actual Effective	Pitch Dia. d mm	Outside Dia. da mm	Finished Bore with Keyway d1	Ln mm	Weight kg
-------------------	------------------------------	-----------------	--------------------	------------------------------	-------	-----------

Foro (mm)

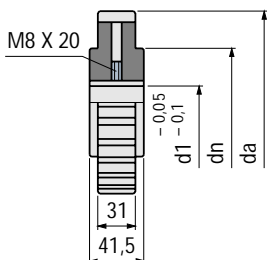
NS 881 T21 R...	21	10,5	129,26	129,5	25 30 35 40 45	51	0,39
NS 881 T23 R...	23	11,5	141,22	142	25 30 35 40 45	51	0,44
NS 881 T25 R...	25	12,5	153,21	154,2	25 30 35 40 45	58,5	0,52

Foro (inch)

NS 881 T21 R...	21	10,5	129,26	129,5	1" 11/4" 1 1/2"	51	0,39
NS 881 T23 R...	23	11,5	141,22	142	1" 11/4"	51	0,44
NS 881 T25 R...	25	12,5	153,21	154,2	1" 11/4" 1 1/2"	58,5	0,52

Material: sprocket in reinforced polyamide (black). Keyway: UNI 6604-69. See page 104.
Bolts in stainless steel AISI 304, nuts in nickel plated brass. Max recommended tightening torque: 1 kgm.

KUS 881

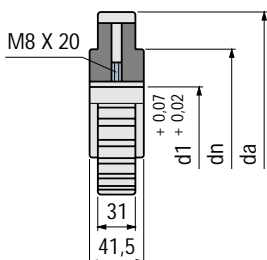


Split Thermoplastic (KUS) Sprockets

Rexnord Order No.	No of Teeth Actual Effective	Pitch Dia. d mm	Outside Dia. d mm	Finished Bore with Keyway d1 mm	dn mm	Weight kg
-------------------	------------------------------	-----------------	-------------------	---------------------------------	-------	-----------

• = Plain Bore. Without keyway. Keyway: UNI 6604-69. See page 104.
Without grub screw. Tolerance d1 = $\begin{matrix} +0,3 \\ 0 \end{matrix}$. Max recommended tightening torque: 1 kgm.
Material: sprocket in polyamide (black). Bolts and nuts in stainless steel AISI 304. Half-section fixing nuts (self-locking).

KU 881

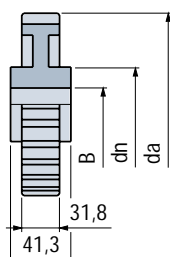


Thermoplastic (KU) Sprockets

Rexnord Order No.	No. of Teeth Actual Effective	Pitch Dia. d mm	Outside Dia. da mm	Finished Bore with Keyway d1 mm	dn mm	Weight kg
-------------------	-------------------------------	-----------------	--------------------	---------------------------------	-------	-----------

• = Plain Bore. Without keyway. Keyway: UNI 6604-69. See page 104.
Without grub screw. Tolerance d1 = $\begin{matrix} +0,3 \\ 0 \end{matrix}$.
Material: sprocket in polyamide (black).

GG 881



Semi-Steel (GG) Sprockets

Rexnord Order No.	No. of Teeth Actual Effective	Pitch Dia. d mm	Outside Dia. da mm	Plain Bore B mm	dn mm	Max. Bore mm	Weight kg
-------------------	-------------------------------	-----------------	--------------------	-----------------	-------	--------------	-----------

Example of codenumber : NS 881 T25 R 35 (including bore)

Idler Wheels

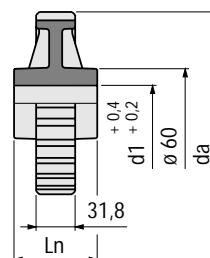
for Series 881, 8811, 8811 TAB, SSR 812-K 125/175,
SSR 812 TAB Rubber Top, SSC 8811 TAB Rubber Top

Split Thermoplastic (NSX) Idler Wheels

Rexnord Order No.	No of Teeth		Pitch Dia. d mm	Outside Dia. da mm	Finished Bore d1 mm	Ln mm	Weight kg
	Actual	Effective					
★ NSX 881 T21 R...	21	10,5	129,26	129,5	30 35 40	51	0,39
★ NSX 881 T23 R...	23	11,5	141,22	142	30 35 40	51	0,44
NSX 881 T25 R...	25	12,5	153,21	154,2	30 35 40	58,5	0,52

★ = Available upon request and minimum order quantity.
Material: sprocket in polyamide (black).
Bolts in stainless steel AISI 304, nuts in nickel plated brass.

Max recommended tightening torque: 0,6 kgm.
Half-section fixing nuts (self-locking).



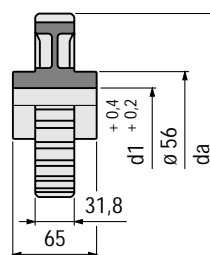
NSX 881



Thermoplastic (NX) Idler Wheels

Rexnord Order No.	No of Teeth	Pitch Dia. d mm	Outside Dia. da mm	Finished Bore d1 mm	Weight kg
NX 881 T25 R...	25	12,5	153,21	30 35	0,40

Material: polyamide (black).



NX 881



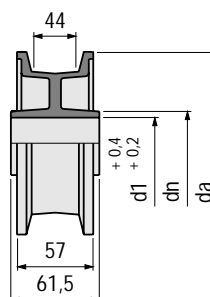
only for Series 881 - 8811 (BEVEL)

Split Thermoplastic (NSXT) Idler Wheels

Rexnord Order No.	Equivalent No. of Teeth	Outside Dia. da mm	Finished Bore d1 mm	dn (mm)		Weight kg
				d1= 25-30	d1= 35-40	
NSXT 820 T21 R...	21	130	25 30 35 40	40	50	0,26
NSXT 820 T23 R...	23	142,5	25 30 35 40	40	50	0,29
NSXT 820 T25 R...	25	154,5	25 30 35 40 45	40	50	0,30

Material: polyamide (black). Also available in Glistamide® black (special material).
Bolts and nuts in stainless steel AISI 304.

Max recommended tightening torque: 0,6 kgm.



NSXT 820



only for Series 881 - 8811 (BEVEL)

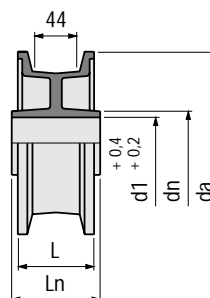
Thermoplastic (NXT) Idler Wheels

Rexnord Order No.	Equivalent No. of Teeth	Outside Dia. da mm	Finished Bore d1	dn			Weight kg
				mm	L mm	Ln mm	
Bore (mm)							
NXT 820 T19 R...	19	118	25 30 40	42 (51*)	57	57	0,20
Bore (inches)							
NXT 820 T19 R...	19	118	1"	42	57	57	0,20
NXT 820 T21 R...	21	130	1 1/4" 1 1/2"	40 (45)■	60	61,5	0,22
NXT 820 T23 R...	23	142,5	1 1/4" 1 1/2"	40 (45)■	59,5	61,5	0,27
NXT 820 T25 R...	25	154,5	1 1/4" 1 1/2"	40 (45)■	59	61,5	0,30

* = only with d1 40.

■ = only with d1 1 1/2".

Material: polyamide (black).



NXT 820



Example of codenumber : KSX 881 T21 R 40 (including bore)

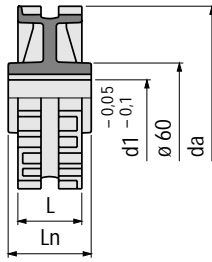
Sprockets

for Series 820, 831, 820 Vacuum, HFP 820, XLBP 831

NS 820



Important: cannot be used with chain 831



Split Thermoplastic (NS) Sprockets

Rexnord Order No.	No of Teeth	Pitch Dia. d mm	Outside Dia. da mm	Finished Bore with Keyway d1	L mm	Ln mm	Weight kg
-------------------	-------------	-----------------	--------------------	------------------------------	------	-------	-----------

Bore (mm)

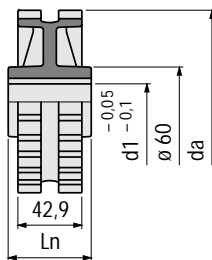
NS 820 T21 R...	21	10,5	129,26	129,5	25 30 35 40 45	52 51	0,46
NS 820 T23 R...	23	11,5	141,22	142	25 30 35 40 45	52 51	0,54
NS 820 T25 R...	25	12,5	153,21	154,2	25 30 35 40 45	54 58,5	0,63

Bore (inch)

NS 820 T21 R...	21	10,5	129,26	129,5	1" 11/4" 2"	52 51	0,46
NS 820 T23 R...	23	11,5	141,22	142	1" 11/4" 2"	52 51	0,54
NS 820 T25 R...	25	12,5	153,21	154,2	1" 11/4" 2"	54 58,5	0,63

Material: sprocket in reinforced polyamide (black). Keyway: UNI 6604-69. See page 104.
Bolts in stainless steel AISI 304, nuts in nickel plated brass. Max recommended tightening torque: 1 kgm.

NS 831



Split Thermoplastic (NS) Sprockets

Rexnord Order No.	No of Teeth	Pitch Dia. d mm	Outside Dia. da mm	Finished Bore with Keyway d1	Ln mm	Weight kg
-------------------	-------------	-----------------	--------------------	------------------------------	-------	-----------

Bore (mm)

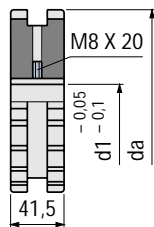
NS 831 T21 R...	21	10,5	129,26	129,5	25 30 35 40 45	51	0,46
NS 831 T23 R...	23	11,5	141,22	142	25 30 35 40 45	51	0,54
NS 831 T25 R...	25	12,5	153,21	154,2	25 30 35 40 45	58,5	0,63

Bore (inch)

NS 831 T21 R...	21	10,5	129,26	129,5	1" 11/4" 2"	51	0,46
NS 831 T23 R...	23	11,5	141,22	142	1" 11/4" 2"	51	0,54
NS 831 T25 R...	25	12,5	153,21	154,2	1" 11/4" 2"	58,5	0,63

Material: sprocket in reinforced polyamide (black). Keyway: UNI 6604-69. See page 104.
Bolts in stainless steel AISI 304, nuts in nickel plated brass. Max recommended tightening torque: 1 kgm.

KUS 820



Split Thermoplastic (KUS) Sprockets

Rexnord Order No.	No of Teeth	Pitch Dia. d mm	Outside Dia. da mm	Finished Bore with Keyway d1 mm	Weight kg
★ KUS 820 T19 R...	19	9,5	117,35	117	0,40
KUS 820 T21 R...	21	10,5	129,26	129,5	0,50
KUS 820 T23 R...	23	11,5	141,22	142	0,60
KUS 820 T25 R...	25	12,5	153,21	154,2	0,74
★ KUS 820 T27 R...	27	13,5	165,21	166	0,88

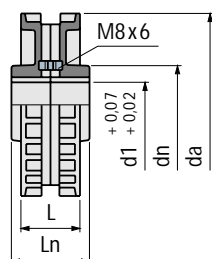
★ = Available upon request and minimum order quantity.
● = Plain Bore. Without keyway.
Without grub screw. Tolerance $d1 = \begin{matrix} +0,3 \\ 0 \end{matrix}$
Material: sprocket in polyamide (black). Bolts and nuts in stainless steel AISI 304.

Keyway: UNI 6604-69. See page 104.
Max recommended tightening torque: 1 kgm.
Half-section fixing nuts (self-locking).

N 820



Important: cannot be used with chain 831

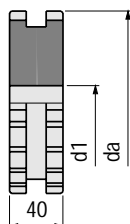


Thermoplastic (N) Sprockets

Rexnord Order No.	No of Teeth	Pitch Dia. d mm	Outside Dia. da mm	Finished Bore with Keyway d1 mm	dn mm	L mm	Ln mm	Weight kg
N 820 T15 R...	15	7,5	93,67	92,2	25 30	43	50 50	0,18
N 820 T17 R...	17	8,5	105,48	104,7	25 30	43	51 48	0,22
N 820 T19 R...	19	9,5	117,35	117,1	20 25 30 35 40	60	50 50	0,35

Material: sprocket in reinforced polyamide (black).
Keyway: UNI 6604-69. See page 104.

KU 820



Thermoplastic (KU) Sprockets

Rexnord Order No.	No. of Teeth	Pitch Dia. d mm	Outside Dia. da mm	Plain Bore B mm	Max. Bore mm	Weight kg	
KU 820 T19 R20	19	9,5	117,35	117	20	60	0,40
KU 820 T21 R20	21	10,5	129,26	129	20	67	0,50
KU 820 T23 R20	23	11,5	141,22	142	20	75	0,61
KU 820 T25 R20	25	12,5	153,21	154	20	80	0,74
KU 820 T27 R20	27	13,5	165,21	166	20	85	0,88

Material: polyamide (black)

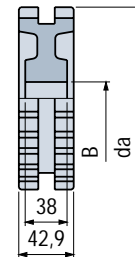
Example of codenumber : NS 820 T25 R 35 (including bore)

Sprockets

for Series 820, 831, 820 Vacuum, HFP 820, XLBP 831

Semi-Steel (GG) Sprockets

Rexnord Order No.	No. of Teeth		Pitch Dia. d mm	Outside Dia. da mm	Plain Bore B mm	Max. Bore mm	Weight kg
	Actual	Effective					
GG 820 T19 R19	19	9,5	117,35	117	19	32	1,5
GG 820 T21 R19	21	10,5	129,26	129	19	45	1,8
GG 820 T23 R19	23	11,5	141,22	142	19	45	2,0
GG 820 T25 R19	25	12,5	153,21	154	19	50	2,1
GG 820 T27 R19	27	13,5	165,21	166	19	50	2,2
GG 820 T29 R19	29	14,5	177,24	179	19	50	2,4
GG 820 T31 R19	31	15,5	189,27	191	19	50	2,5
GG 820 T41 R19	41	20,5	249,59	252	19	50	3,9



GG 820



Idler Wheels

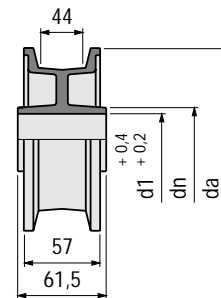
for Series 820, 831, 820 Vacuum, HFP 820, XLBP 831

Split Thermoplastic (NSXT) Idler Wheels

Rexnord Order No.	Equivalent No. of Teeth	Outside Dia. da mm	Finished Bore d1 mm	dn (mm)		Weight kg
				d1= 25-30	d1= 35-40	
NSXT 820 T21 R...	21	130	25 30 35 40	40	50	0,26
NSXT 820 T23 R...	23	142,5	25 30 35 40	40	50	0,29
NSXT 820 T25 R...	25	154,5	25 30 35 40 45	40	50	0,30

Material: polyamide (black). Also available in Glistamide® black (special material). Bolts and nuts in stainless steel AISI 304.

Max recommended tightening torque : 0,6 kgm.



NSXT 820



Thermoplastic (NXT) Idler Wheels

Rexnord Order No.	Equivalent No. of Teeth	Outside Dia. da mm	Finished Bore d1	dn (mm)			Weight kg
				dn mm	L mm	Ln mm	
NXT 820 T15 R...	15	95,5	25 30	40	55	92	0,20
NXT 820 T17 R...	17	106,5	25 30	42	53	57	0,18
NXT 820 T18 R...	18	113	25 30	40	57	92	0,24
NXT 820 T19 R...	19	118	25 30 40	42 (51*)	57	57	0,20

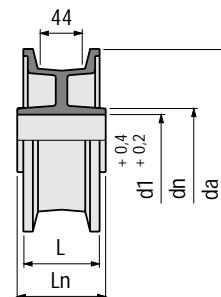
Bore (mm)							
NXT 820 T15 R...	15	95,5	25 30	40	55	92	0,20
NXT 820 T17 R...	17	106,5	25 30	42	53	57	0,18
NXT 820 T18 R...	18	113	25 30	40	57	92	0,24
NXT 820 T19 R...	19	118	25 30 40	42 (51*)	57	57	0,20

Bore (inches)							
NXT 820 T19 R...	19	118	1"	42	57	57	0,20
NXT 820 T21 R...	21	130	1 1/4" 1 1/2"	40 (45)	60	61,5	0,22
NXT 820 T23 R...	23	142,5	1 1/4" 1 1/2"	40 (45)	59,5	61,5	0,27
NXT 820 T25 R...	25	154,5	1 1/4" 1 1/2"	40 (45)	59	61,5	0,30

* = only with d1 40.

■ = only with d1 11/2".

Material: polyamide (black).



NXT 820

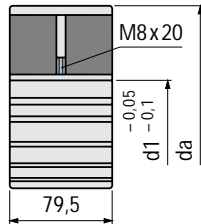


Example of codenumber : NSXT 820 T25 R 35 (including bore)

Sprockets

for Series 821, FLBP 821, HFP 821,
HFP 821 F, LBP 821, SLBP 821

KUS 821



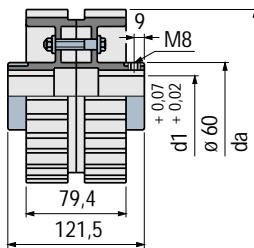
Split Thermoplastic (KUS) Sprockets

Rexnord Order No.	No of Teeth		Pitch Dia. d mm	Outside Dia. da mm	Finished Bore with Keyway d1 mm	Weight kg
	Actual	Effective				
KUS 821 T21 R...	21	10,5	129,26	129,5	20 • 35 40 45	1,03
KUS 821 T23 R...	23	11,5	141,22	142	20 • 35 40 45	1,23
KUS 821 T25 R...	25	12,5	153,21	154,2	20 • 35 40 45	1,46
★ KUS 821 T27 R...	27	13,5	165,21	166	20 • 35 40 45	1,67
★ KUS 821 T29 R...	29	14,5	177,24	179	20 • 35 40 45	2,06

★ = Available upon request and minimum order quantity.
 • = Plain Bore. Without keyway.
 Without grub screw. Tolerance d1 = $\begin{matrix} +0,3 \\ 0 \end{matrix}$
 Material: sprocket in polyamide (black). Bolts and nuts in stainless steel AISI 304.

Keyway: UNI 6604-69. See page 104.
 Max recommended tightening torque: 1 kgm.
 Half-section fixing nuts (self-locking).

N 821



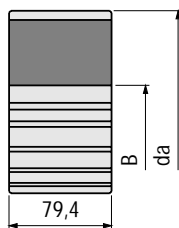
Thermoplastic (N) Sprockets

Rexnord Order No.	No of Teeth		Pitch Dia. d mm	Outside Dia. da mm	Finished Bore with Keyway d1 mm	Weight kg
	Actual	Effective				
N 821 T25 R...	25	12,5	153,21	152,7	35 40	0,96

Material: polyamide (black).
 Bolts and nuts in zinc plated steel.
 Boss reinforcing rings in zinc plated steel.

Keyway: UNI 6604-69. See page 104.

KU 821

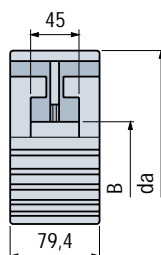


Thermoplastic (KU) Sprockets

Rexnord Order No.	No. of Teeth		Pitch Dia. d mm	Outside Dia. da mm	Plain Bore B mm	Max. Bore mm	Weight kg
	Actual	Effective					
KU 821 T21 R19	21	10,5	129,26	129	19	45	0,77
KU 821 T23 R19	23	11,5	141,22	142	19	45	0,88
KU 821 T25 R19	25	12,5	153,21	154	19	45	1,01
KU 821 T27 R19	27	13,5	165,21	166	19	45	1,19
KU 821 T29 R19	29	14,5	177,24	179	19	45	1,47

Material: polyamide (black)

GG 821



Semi-Steel (GG) Sprockets

Rexnord Order No.	No. of Teeth		Pitch Dia. d mm	Outside Dia. da mm	Plain Bore B mm	Max. Bore mm	Weight kg
	Actual	Effective					
GG 821 T21 R25,4	21	10,5	129,26	129	25,4	45	3,0
GG 821 T23 R25,4	23	11,5	141,22	142	25,4	45	3,2
GG 821 T25 R25,4	25	12,5	153,21	154	25,4	45	3,3
GG 821 T27 R25,4	27	13,5	165,21	166	25,4	45	3,4
GG 821 T29 R25,4	29	14,5	177,24	179	25,4	45	3,6

Example of codenumber : KUS 821 T25 R 35 (including bore)

Idler Wheels

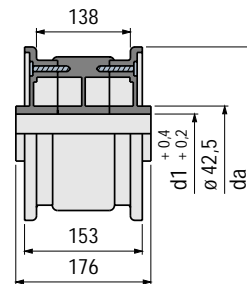
for Series 821, FLBP 821, HFP 821,
HFP 821 F, LBP 821, SLBP 821

Thermoplastic (NXT) Idler Wheels

Rexnord Order No.	Equivalent No. of Teeth	Outside Dia. da mm	Finished Bore d1 mm	Weight kg
NXT 821 T25 R...	25	154,7	30 35	0,75

Material: polyamide (black)

Half-sections fixing screws in stainless steel AISI 304



NXT 821

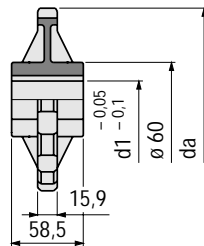


Example of codenumber : NXT 821 T25 R 35 (including bore)

Sprockets

for Series 879, 879BO, 879TAB, 880, 880TAB, 880TAB-K 454, 880BO, 880BOF, 880BOGB, 880GB, 880TAB Vacuum, HFP 879BO, HFP 880BOT, HFP 880TAB, LBP 879BO, LPC 279

NS 880



Split Thermoplastic (NS) Sprockets

Rexnord Order No.	No of Teeth		Pitch Dia. d mm	Outside Dia. da mm	Finished Bore with Keyway d1	Weight kg
	Actual	Effective				

Bore (mm)

Rexnord Order No.	No of Teeth		Pitch Dia. d mm	Outside Dia. da mm	Finished Bore with Keyway d1	Weight kg
NS 880 T10 R...	10	10	123,29	122,5	25 30 35 40 45	0,30
NS 880 T12 R...	12	12	147,21	147,4	25 30 35 40 45	0,37

Bore (inch)

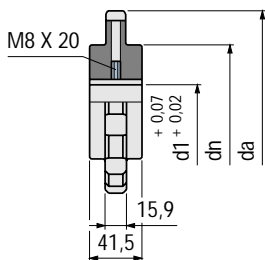
Rexnord Order No.	No of Teeth		Pitch Dia. d mm	Outside Dia. da mm	Finished Bore with Keyway d1	Weight kg
NS 880 T12 R...	12	12	147,21	147,4	1" 11/4"	0,37

Material: sprocket in reinforced polyamide (black).
Bolts in stainless steel AISI 304, nuts in nickel plated brass.

Keyway: UNI 6604-69. See page 104.

Max recommended tightening torque: 1 kgm.

KU 880



Thermoplastic (KU) Sprockets

Rexnord Order No.	No of Teeth		Pitch Dia. d mm	Outside Dia. da mm	Finished Bore with Keyway d1 mm	dn mm	Weight kg
KU 880 T10 R...	10	10	123,29	122,5	20 • 30 35 40	80	0,28
KU 880 T11 R...	11	11	135,23	135	20 • 30 35 40	85	0,35
KU 880 T12 R...	12	12	147,21	147,4	20 • 30 35 40	90	0,42

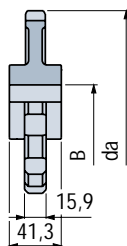
• = Plain Bore. Without keyway.

Without grub screw. Tolerance d1 = +0,3
0

Material: polyamide (black).

Keyway: UNI 6604-69. See page 104.

GG 880



Semi-Steel (GG) Sprockets

Rexnord Order No.	No. of Teeth		Pitch Dia. d mm	Outside Dia. da mm	Plain Bore B mm	Max. Bore mm	Weight kg
GG 880 T09 R19	9	9	111,40	110	19	45	1,3
GG 880 T10 R19	10	10	123,29	122	19	45	1,4
GG 880 T11 R19	11	11	135,23	136	19	45	1,5
GG 880 T12 R19	12	12	147,21	147	19	45	1,6
GG 880 T15 R19	15	15	183,25	184	19	45	1,9

Example of codenumber : NS 880 T12 R 35 (including bore)

Idler Wheels

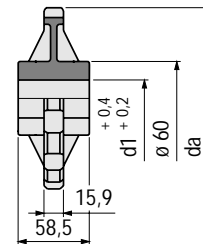
for Series 879, 879 BO, 879 TAB, 880, 880 TAB, 880 TAB-K 454, 880 BO, 880 BO F, 880 BO GB, 880 GB, 880 TAB Vacuum, HFP 879 BO, HFP 880 BOT, HFP 880 TAB, LBP 879 BO, LPC 279

Split Thermoplastic (NSX) Idler Wheels

Rexnord Order No.	No of Teeth		Pitch Dia. d mm	Outside Dia. da mm	Finished Bore d1 mm			Weight kg
	Actual	Effective			20	25	30 35	
NSX 880 T10 R...	10	10	123,29	122,5	20	25	30 35	0,30
NSX 880 T12 R...	12	12	147,21	147,4		25	30 35	0,37

Material: wheel in polyamide (black).
Bolts in stainless steel AISI 304, nuts in nickel plated brass.

Max recommended tightening torque: 0,6 kgm.



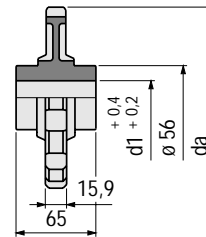
NSX 880



Thermoplastic (NX) Idler Wheels

Rexnord Order No.	No of Teeth		Pitch Dia. d mm	Outside Dia. da mm	Finished Bore d1 mm		Weight kg
	Actual	Effective			30	35	
NX 880 T12 R...	12	12	147,21	147,4	30	35	0,30

Material: polyamide (black).



NX 880



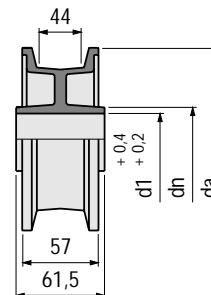
only for Series 879 - 880 - LPC 279 (BEVEL)

Split Thermoplastic (NSXT) Idler Wheels

Rexnord Order No.	Equivalent No. of Teeth	Outside Dia. da mm	Finished Bore d1 mm				dn (mm)		Weight kg
			25	30	35	40	d1= 25-30	d1= 35-40	
NSXT 820 T21 R...	10	130	25	30	35	40	40	50	0,26
NSXT 820 T23 R...	11	142,5	25	30	35	40	40	50	0,29
NSXT 820 T25 R...	12	154,5	25	30	35	40 45	40	50	0,30

Material: polyamide (black). Also available in Glistamide® black (special material).
Bolts and nuts in stainless steel AISI 304.

Max recommended tightening torque: 0,6 kgm.



NSXT 820



only for Series 879 - 880 - LPC 279 (BEVEL)

Thermoplastic (NXT) Idler Wheels

Rexnord Order No.	Equivalent No. of Teeth	Outside Dia. da mm	Finished Bore d1		dn mm	L mm	Ln mm	Weight kg
			25	30 40				
NXT 820 T19 R...	9	118	25	30 40	42 (51*)	57	57	0,20

Bore (mm)

NXT 820 T19 R...	9	118	25	30 40	42 (51*)	57	57	0,20
------------------	---	-----	----	-------	----------	----	----	------

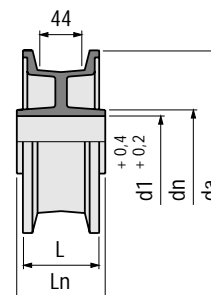
Bore (inches)

NXT 820 T19 R...	9	118	1"		42	57	57	0,20
NXT 820 T21 R...	10	130	1 1/4"	1 1/2"	40 (45)	60	61,5	0,22
NXT 820 T23 R...	11	142,5	1 1/4"	1 1/2"	40 (45)	59,5	61,5	0,27
NXT 820 T25 R...	12	154,5	1 1/4"	1 1/2"	40 (45)	59	61,5	0,30

* = only with d1 40.

■ = only with d1 1 1/2".

Material: polyamide (black).



NXT 820

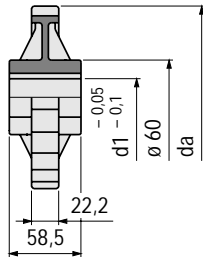


Example of codenumber : NSXT 820 T25 R 40 (including bore)

Sprockets

for Series 882, 882 TAB, 882 G, HFP 882 TAB, HFP 882 TAB F, FLBP 882 TAB, LBP 882 TAB, SLBP 882 TAB, LBP 883

NS 882



Split Thermoplastic (NS) Sprockets

Rexnord Order No.	No of Teeth		Pitch Dia. d mm	Outside Dia. da mm	Finished Bore with Keyway d1	Weight kg
	Actual	Effective				

Bore (mm)

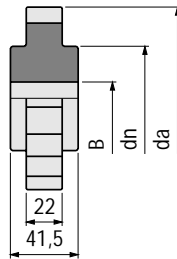
NS 882 T12 R...	12	12	147,21	149,9	25 30 35 40 45	0,37
-----------------	----	----	--------	-------	----------------	------

Bore (inch)

NS 882 T12 R...	12	12	147,21	149,9	1"	0,37
-----------------	----	----	--------	-------	----	------

Material: sprocket in reinforced polyamide (black). Keyway: UNI 6604-69. See page 104.
Bolts in stainless steel AISI 304, nuts in nickel plated brass. Max recommended tightening torque: 1 kgm.

KU 882

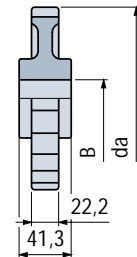


Thermoplastic (KU) Sprockets

Rexnord Order No.	No of Teeth		Pitch Dia. d mm	Outside Dia. da mm	Plain Bore B mm	dn mm	Weight kg
	Actual	Effective					

Material: polyamide (black).

GG 882



Semi-Steel (GG) Sprockets

Rexnord Order No.	No. of Teeth		Pitch Dia. d mm	Outside Dia. da mm	Plain Bore B mm	Max. Bore mm	Weight kg
	Actual	Effective					

GG 882 T09 R19	9	9	111,4	112	19	45	1,7
GG 882 T10 R19	10	10	123,29	125	19	45	1,9
GG 882 T11 R19	11	11	135,23	137	19	45	2,0
GG 882 T12 R19	12	12	147,21	149	19	45	2,1

Example of codenumber : NS 882 T12 R 35 (including bore)

Idler Wheels

for Series 882, 882 TAB, 882 G, HFP 882 TAB, HFP 882 TAB F, FLBP 882 TAB, LBP 882 TAB, SLBP 882 TAB, LBP 883

Split Thermoplastic (NSX) Idler Wheels

Rexnord Order No.	No of Teeth		Pitch Dia. d mm	Outside Dia. da mm	Finished Bore d1	Weight kg
	Actual	Effective				

Bore (mm)

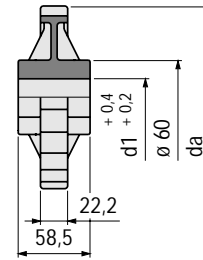
NSX 882 T12 R...	12	12	147,21	149,9	25 30 35 40	0,37
------------------	----	----	--------	-------	-------------	------

Bore (inch)

NSX 882 T12 R...	12	12	147,21	149,9	1"	0,37
------------------	----	----	--------	-------	----	------

Material: wheel in polyamide (black).
Bolts in stainless steel AISI 304, nuts in nickel plated brass.

Max recommended tightening torque: 0,6 kgm.



NSX 882

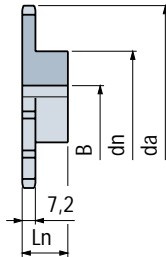


Example of codenumber : NSX 882 T12 R 35 (including bore)

Sprockets

for Series 843, 845, 1843, 1843 G

8012

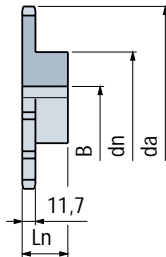


Steel Sprockets / ANSI 40

Rexnord Order No.	No. of Teeth	Pitch Dia. d mm	Outside Dia. da mm	dn mm	Plain Bore B mm	Ln mm	Weight kg
8012015111	15	61,08	66	45	10	28	0,29
8012017111	17	69,12	74	52	12	28	0,43
8012019111	19	77,16	82	60	12	28	0,49
8012021111	21	85,21	90	68	14	28	0,64
8012023111	23	93,27	98	70	14	28	0,70
8012025111	25	101,33	106	70	14	28	0,77

for Series 866, 1864, 1874, 1874 G, 1874 HD G, 4874, 963, 1873, 1873 G, 1873 GJM, HFP 1877, 2873, 3873

8019



Steel Sprockets / ANSI 60

Rexnord Order No.	No. of Teeth	Pitch Dia. d mm	Outside Dia. da mm	dn mm	Plain Bore B mm	Ln mm	Weight kg
8019015111	15	91,63	99	70	14	35	1,03
8019017111	17	103,67	111	80	16	35	1,38
8019019111	19	115,74	123	80	16	35	1,54
8019021111	21	127,82	136	90	20	40	2,18
8019023111	23	139,90	148	90	20	40	2,38
8019025111	25	151,99	160	90	20	40	2,60
8019027111	27	164,09	172	95	20	40	3,01
8019030111	30	182,25	190	95	20	40	3,53
8019038111	38	230,69	239	100	25	40	4,74
8019040111	40	242,80	251	100	25	40	5,04

If the number of teeth exceeds 24, the sprockets can also be used for the 866, HFP 1877 and 2873 Series chains.

Sprockets

for Series A 600, A 600 TAB

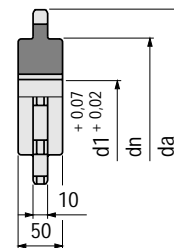
Thermoplastic (KU) Sprockets

Rexnord Order No.	No. of Teeth	Pitch Dia. d mm	Outside Dia. da mm	Finished Bore with Keyway d1 mm	Square Bore mm	dn mm	Weight kg
Round bore							
KU 600 T06 R20	6	127	128	20 [•]	-	74	0,36
KU 600 T08 R20	8	165,93	177,7	20 [•]	-	119	0,65
KU 600 T10 R35	10	205,49	219,3	35	-	161	1,30

Square bore

KU 600 T06 S40	6	127	128	-	40x40	74	0,36
KU 600 T08 S...	8	165,93	177,7	-	40x40 50x50	119	0,65
KU 600 T10 S...	10	205,49	219,3	-	40x40 50x50	161	1,30

• = Plain Bore. Without keyway. Tolerance d1 = $\begin{matrix} +0,3 \\ 0 \end{matrix}$
 Material: polyamide (black)
 Keyway: UNI 6604-69. See page 104.

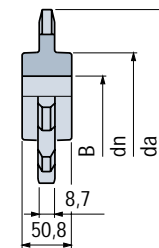


KU 600



Semi-Steel (GG) Sprockets

Rexnord Order No.	No. of Teeth	Pitch Dia. d mm	Outside Dia. da mm	Plain Bore B mm	dn mm	Weight kg
GG 600 T08 R19	8	165,86	171,4	19	95	3,4
GG 600 T10 R19	10	205,49	213,6	19	95	5,7
GG 600 T12 R19	12	245,36	255,2	19	95	8,2
GG 600 T14 R19	14	285,50	296,4	19	95	9,0



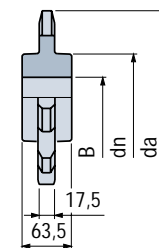
GG 600



for Series A 1400, A 1400 TAB

Semi-Steel (GG) Sprockets

Rexnord Order No.	No. of Teeth	Pitch Dia. d mm	Outside Dia. da mm	Plain Bore B mm	dn mm	Weight kg
GG 1400 T10 R19	10	267,20	292,6	19	102	13,3



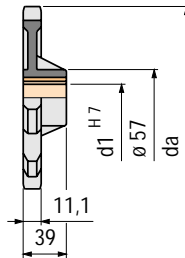
GG 1400



Sprockets

for Series 1700K, 1700TABK, AC 1700K, 1701, 1701TABK, 1702, 1710K, 1710TABK
1713K, 1713TABK, 1716K, 1790K

N 1700 AS

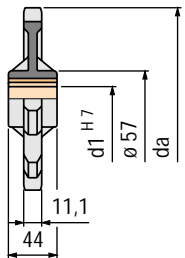


Thermoplastic (N) Sprockets

Rexnord Order No.	No of Teeth	Pitch Dia. d mm	Outside Dia. da mm	Finished Bore with Keyway d1 mm	Weight kg
N 1700 AS T10R...	10	161,8	165,1	24 25 30	0,40

Material: polyamide (white). Brass hub.
Keyway: UNI 6604-69. See page 104.

N 1700

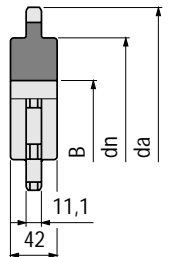


Thermoplastic (N) Sprockets

Rexnord Order No.	No of Teeth	Pitch Dia. d mm	Outside Dia. da mm	Finished Bore with Keyway d1 mm	Weight kg
N 1700 T10R...	10	161,8	165,1	24 25 30	0,42

Material: polyamide (white). Brass hub.
Keyway: UNI 6604-69. See page 104.

KU 1700

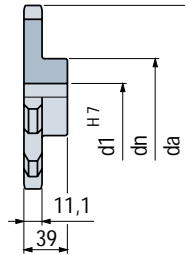


Thermoplastic (KU) Sprockets

Rexnord Order No.	No of Teeth	Pitch Dia. d mm	Outside Dia. da mm	Plain Bore B mm	dn mm	Weight kg
KU 1700 T08R19	8	130,65	132,8	19	79	0,30
KU 1700 T10R19	10	161,80	165,1	19	110	0,54
KU 1700 T13R19	13	208,95	215,2	19	158	1,07

Material: polyamide (white).

ZN 1700 AS SS 1700 AS

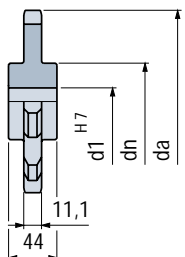


Steel Sprockets

Rexnord Order No. Zinc plated steel	Rexnord Order No. Stainless steel AISI 304	No of Teeth	Pitch Dia. d mm	Outside Dia. da mm	Finished Bore d1 mm	dn mm	Weight kg
ZN 1700 AS T10R20	SS 1700 AS T10R20	10	161,8	165,1	20	69 (60*)	2,25
ZN 1700 AS T12R20	-	12	193,19	196,1	20	69	2,95

*= only for stainless steel versions

ZN 1700 SS 1700



Steel Sprockets

Rexnord Order No. Zinc plated steel	Rexnord Order No. Stainless steel AISI 304	No of Teeth	Pitch Dia. d mm	Outside Dia. da mm	Finished Bore d1 mm	dn mm	Weight kg
ZN 1700 T10R20	SS 1700 T10R20	10	161,8	165,1	20	69 (60*)	2,42
ZN 1700 T12R20	-	12	193,19	196,1	20	69	2,95

*= only for stainless steel versions

Example of codenumber : N 1700 AS T10 R 30 (including bore)

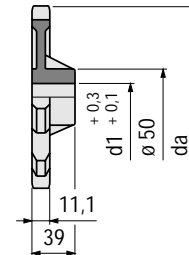
Idler Wheels

for Series 1700K, 1700 TABK, AC 1700K, 1701, 1701 TABK, 1702, 1710K, 1710 TABK, 1713K, 1713 TABK, 1716K, 1790K

Thermoplastic (NX) Idler Wheels

Rexnord Order No.	No of Teeth	Pitch Dia. d mm	Outside Dia. da mm	Finished Bore d1 mm	Weight kg
NX 1700 AST10 R25	10	161,8	165,1	25	0,23

Material: polyamide (white)



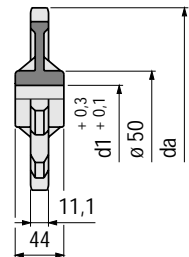
NX 1700 AS



Thermoplastic (NX) Idler Wheels

Rexnord Order No.	No of Teeth	Pitch Dia. d mm	Outside Dia. da mm	Finished Bore d1 mm	Weight kg
NX 1700 T10 R25	10	161,8	165,1	25	0,23

Material: polyamide (white)



NX 1700

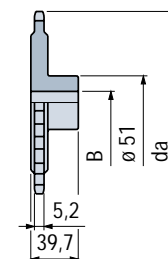


Sprockets

for Series 1755

Semi-Steel (GG) Sprockets

Rexnord Order No.	No. of Teeth	Pitch Dia. d mm	Outside Dia. da mm	Plain Bore B mm	Max. Bore mm	Weight kg
GG 1755 T13 R19	13	167,14	172,2	19	30	2,6
GG 1755 T16 R19	16	205,03	210	19	30	3,5



GG 1755

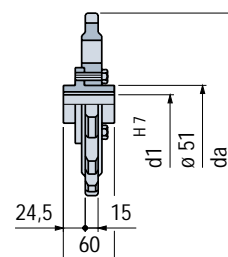


for Series A 3150

Aluminium (AL) Sprockets

Rexnord Order No.	No. of Teeth	Pitch Dia. d mm	Outside Dia. da mm	Finished Bore with Keyway d1 mm	Weight kg
AL 3150 T12 R35	12	309,1	308	35	2,94

Material: hub in plastic-coated steel
Keyway: UNI 6604-69. See page 104.



AL 3150

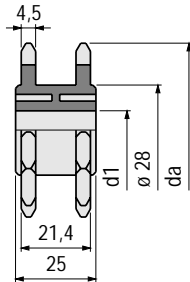


Sprockets

for Series 1108

Thermoplastic (N) Sprockets and (NX) Idler Wheels

N 1108
NX 1108



Rexnord Order No. Sprocket	Rexnord Order No. Idler Wheel	No of Teeth		Pitch Dia. d mm	Outside Dia. da mm	Finished Bore		Weight kg
		Actual	Effective			d1 mm Sprocket	Idler Wheel	
N1108T12R12	NX1108T12R12	12	12	49,07	54	12 ^{+0,05} ₀	12 ^{+0,4} _{+0,2}	0,02

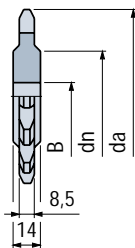
Material: polyamide (black)

Drive sprocket shaft fixing system: key pin

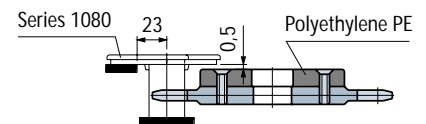
for Series 1080

Steel (ST) Sprockets

ST 1080



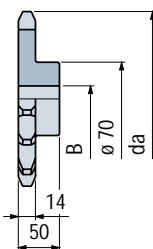
Rexnord Order No.	No of Teeth	Pitch Dia. d mm	Outside Dia. da mm	dn mm	Plain Bore B mm	Weight kg
ST1080T08R30	8	165,93	188,63	119	30	1,64
ST1080T09R30	9	185,67	210	136	30	2,00
ST1080T10R30	10	205,50	231	158	30	3,00
ST1080T12R30	12	245,35	272,4	200	30	3,98
ST1080T14R30	14	285,36	313,6	240	30	6,20



for Series 35 RT

Steel (ST) Sprockets

ST 35



Rexnord Order No.	No of Teeth	Pitch Dia. d mm	Outside Dia. da mm	Plain Bore B mm	Weight kg
ST35T15R16	15	168,34	180,7	16	0,33

Drive and Idler Disc

The use of lateral curving discs makes possible the design of compact conveying systems with a greater number of curves. It becomes easy to realise rings either on the same plane or staggered, upgrading or downgrading runs, practically without any limit.

for Series 879 BO, 880 BO, 880 BO F, HFP 879 BO, HFP 880 BOT, LBP 879 BO

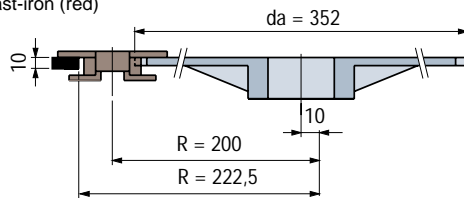
Cast-iron (GG) Corner Disc

Rexnord Order No.	No of Teeth	Outside Dia. da mm	Finished Bore d1 mm	Weight kg
GG 880 BOT32	32	352	50	5,10

Material: plastic coated cast-iron (red)

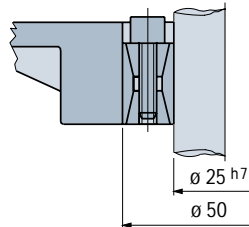
Assembly scheme

Sprocket shaft shall be moved towards the external guide track by 10 mm.

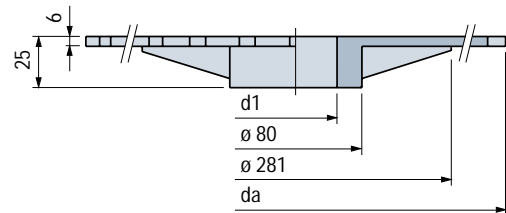
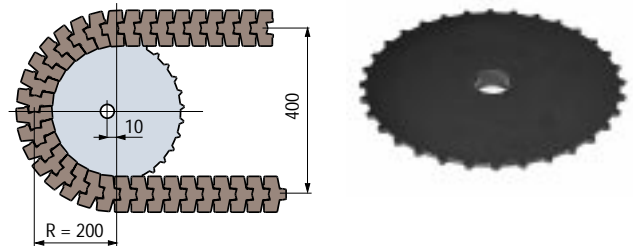


Drive section

Example of friction type shaft fixing. The device is tightened to generate the friction necessary to transmit drive.



GG 880 BO



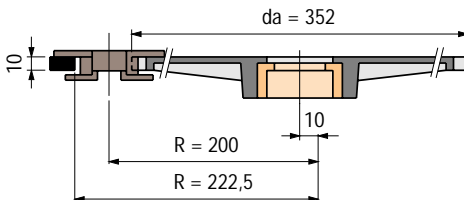
Thermoplastic (N) Corner Disc

Rexnord Order No. Drive	Rexnord Order No. Return	No of Teeth	Outside Dia. da mm	Weight kg
N 880 BO T32	NX 880 BO T32	32	352	0,98

Material: corner disc in reinforced polyamide (black). Brass hub.

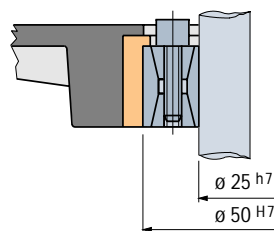
Assembly scheme

Sprocket shaft shall be moved towards the external guide track by 10 mm.



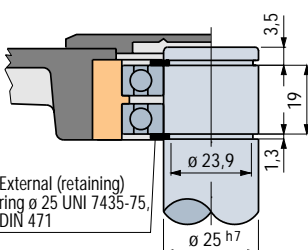
Drive section

Example of friction type shaft fixing. The device is tightened to generate the friction necessary to transmit drive.

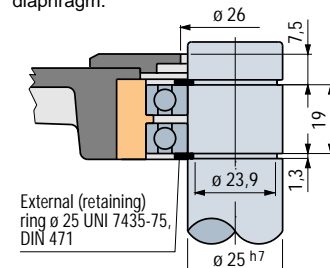


Return section

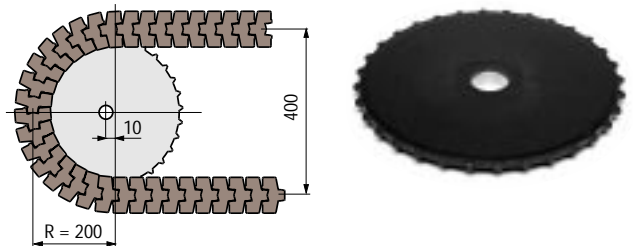
Closed version



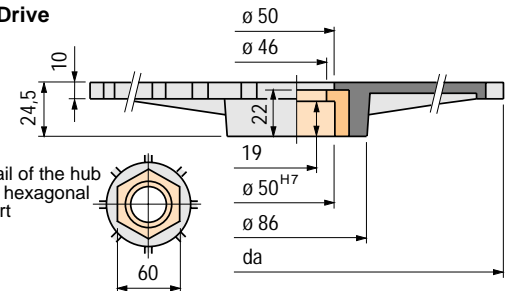
Open version. Can be obtained from closed version by breaking out the diaphragm.



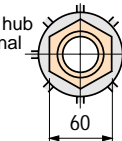
N 880 BO NX 880 BO



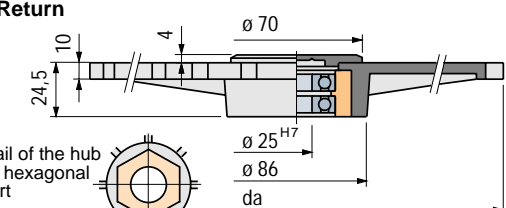
Drive



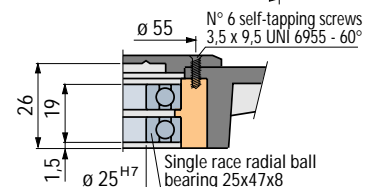
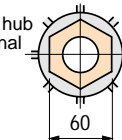
Detail of the hub with hexagonal insert



Return



Detail of the hub with hexagonal insert



Multiflex Corner Discs

for Series 1700K, 1700 TABK, AC 1700K, 1710K, 1710 TABK

ND 1700 B



Thermoplastic Corner Discs, with bearings

Rexnord Order No. Carry	Rexnord Order No. Return	Version	Weight kg
----------------------------	-----------------------------	---------	--------------

Corner discs for Series 1700K, AC1700K, 1710K

ND 1700 BC - TR	ND 1700 BC - RET	Closed	0,70
ND 1700 BO - TR	ND 1700 BO - RET	Open	

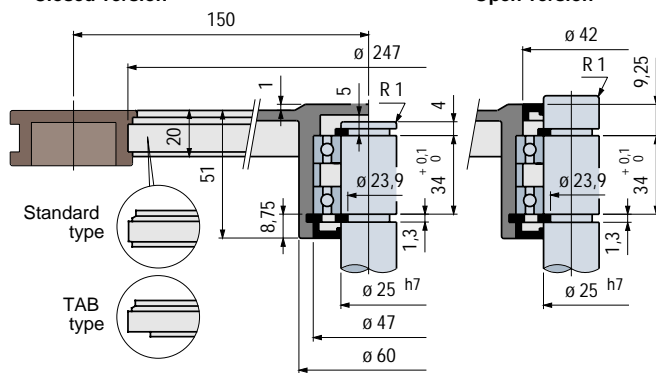
Corner discs for Series 1700TABK, 1710TABK

ND 1700 TBC - TR	ND 1700 TBC - RET	Closed	0,70
ND 1700 TBO - TR	ND 1700 TBO - RET	Open	

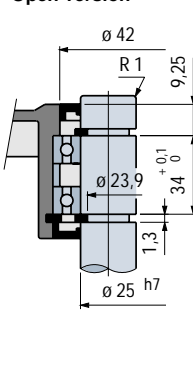
Material: reinforced polyamide (black)

Carry

Closed version

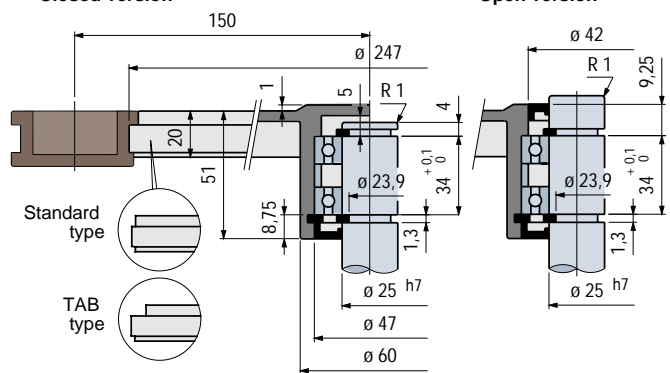


Open version

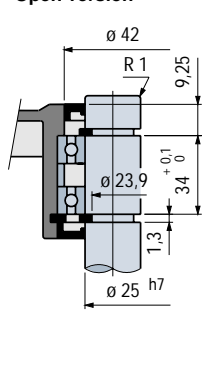


Return

Closed version

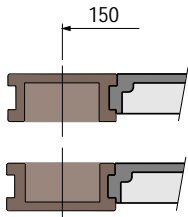


Open version

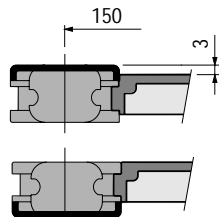


Used for chain type

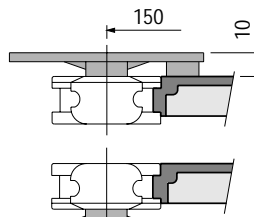
1700K



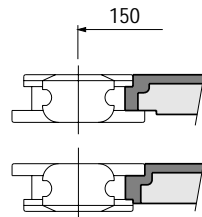
AC1700K



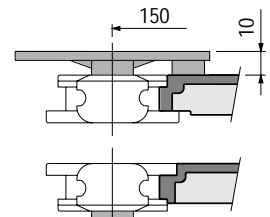
1710K



1700TABK

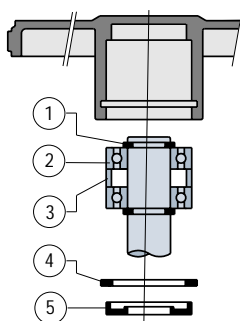


1710TABK

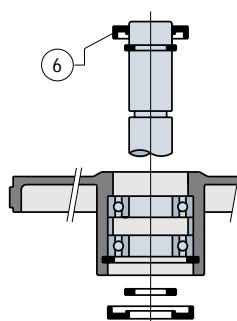


Components

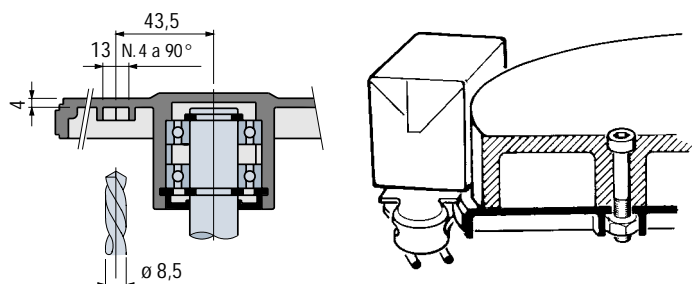
Closed versions



Open versions



The presence of the 4 hexagonal seats permits mounting on the corner disc a disc (for example in polyamide) for product support.



- 1- External (retaining) ring, $\varnothing 25$ DIN 471
- 2- Single race radial ball bearing with two sliding seals, SKF 6005 - 2RS1 (25X47X12)
- 3- Bearing spacer (brass)
- 4- Internal (retaining) ring, $\varnothing 47$ DIN 472
- 5- Seal ring with dust cover, 25X47X7, DIN 3760 (NBR rubber)
- 6- Seal ring with dust cover, 25X42X7, DIN 3760 (NBR rubber)

All components are supplied separate, except the shaft bearings which are pre-assembled

Multiflex Corner Discs

for Series 1700K, 1700TABK, AC1700K, 1710K, 1710TABK

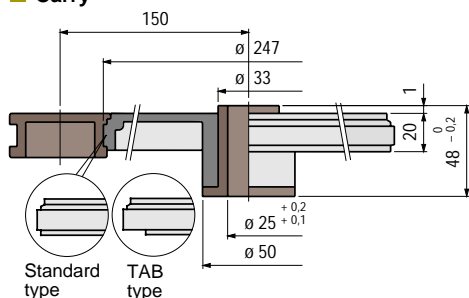
Thermoplastic Corner Discs, with bush

Rexnord Order No. Carry	Rexnord Order No. Return	Used for Chain Type	Weight kg
ND 1700 - TR	ND 1700 - RET	1700K - AC 1700K - 1710K	0,47
ND 1700 T - TR	ND 1700 T - RET	1700TABK - 1710TABK	

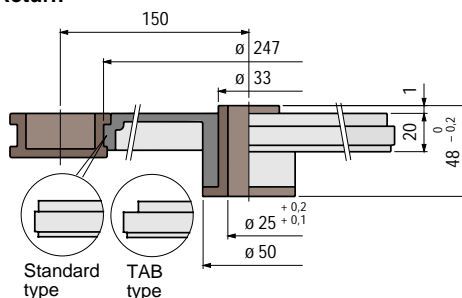
Material: reinforced polyamide (black). Hub bush in Rex-LF® (brown).



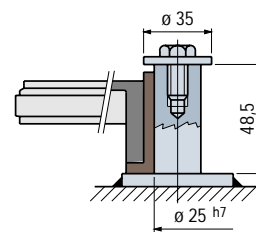
Carry



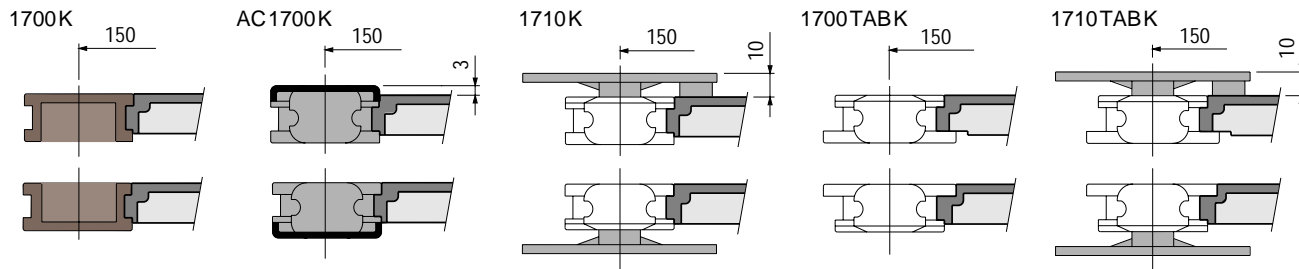
Return



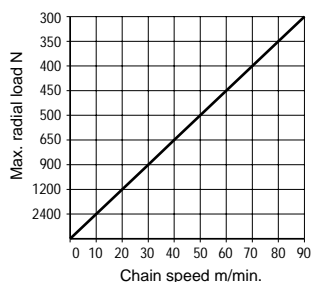
Shaft dimensions



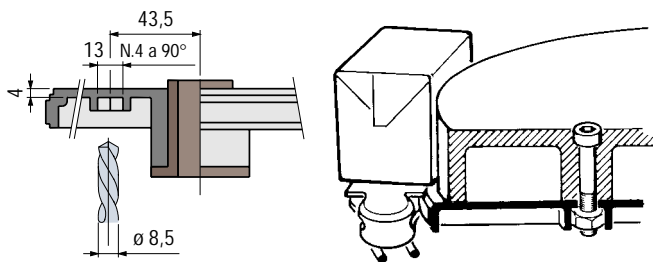
Used for chain type



Max radial load



The presence of the 4 hexagonal seats permits mounting on the corner disc a disc (for example in polyamide) for product support.



Thermoplastic Corner Discs, with bush

Rexnord Order No.	Used for Chain Type	Weight kg
ND 1700 - SYM	1700K - AC 1700K - 1710K	0,65
ND 1700 T - SYM	1700TABK - 1710TABK	

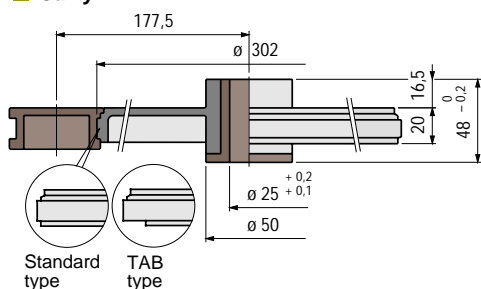
Material: reinforced polyamide (black). Hub bush in Rex-LF® (brown).

Max radial load: see ND 1700 chart.

Used for chain type: see ND 1700 scheme.

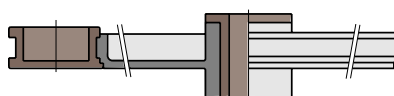


Carry

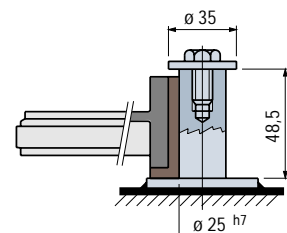


Return

Assembly: reverse disc 180°



Shaft dimensions



Multiflex Corner Discs

for Series 1700K

ND 1700 FL

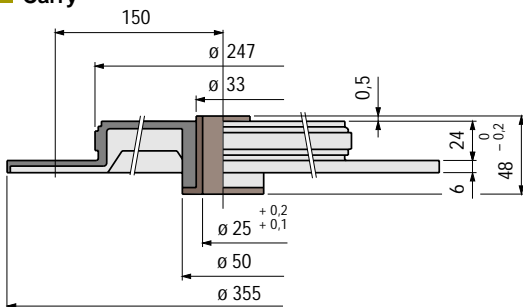


Thermoplastic Corner Discs, with bush

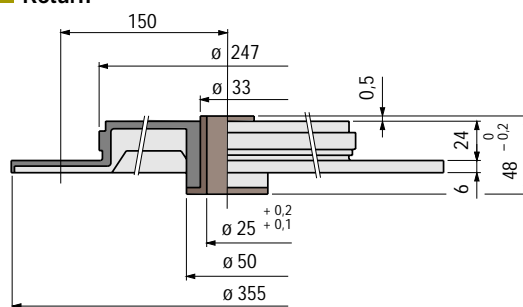
Rexnord Order No. Carry	Rexnord Order No. Return	Used for Chain Type	Weight kg
ND 1700FL-TR0,92	ND 1700FL-RET	1700K	0,92

Material: reinforced polyamide (black). Hub bush in Rex-LF® (brown).

■ Carry



■ Return



for Series 1755

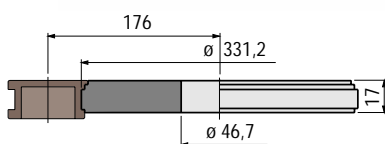
KU 1755 US



Thermoplastic Corner Discs

Rexnord Order No.	Used for Chain Type	Weight kg
KU 1755- US	1755	0,40

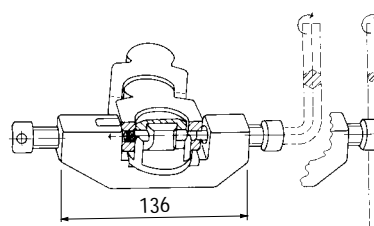
Material: UHMWPE



Pin Extractor

for Series 1700K, 1700TABK, AC 1700K, 1701, 1701TABK, 1702, 1710K, 1710TABK, 1713K, 1713TABK, 1716K, 1790K

EP 1700



Pin extractor

Rexnord Order No.	Weight kg
EP 1700	0,57

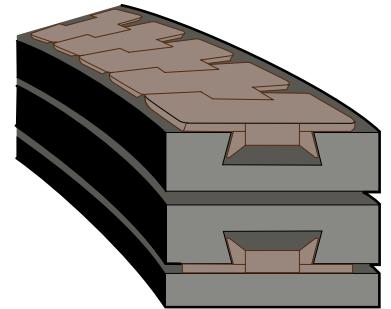
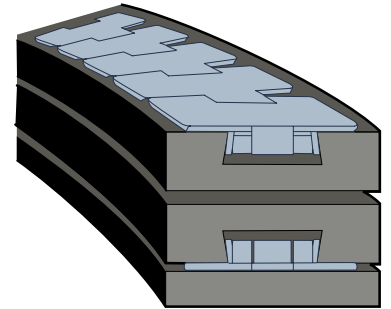
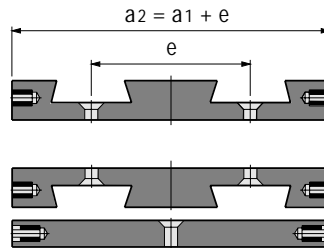
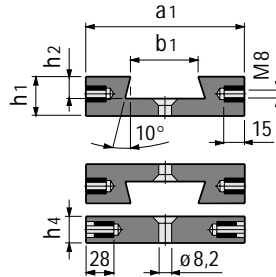
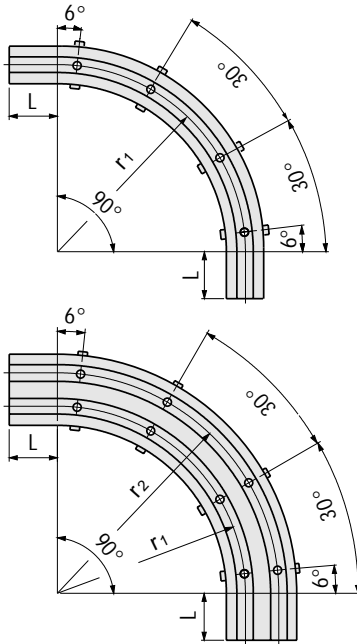
Material: body in aluminium. Extractor pins and chain centering plate made from nickel plated brass. Use: ideal for the assembling/reassembling the pins of multiflex chains types.

Compact Corner Tracks

for Series 880, 881, 882, 8811

Corner tracks range:

- Without the L straight-line sections.
- Complete with assembly holes and threaded lateral inserts (brass).
- Single or multiple strand.



KSU

Rexnord Order No.	Used for Chain Type	Chain width mm	Radius r1 mm	Width a1 mm	± 0.5 b1 mm	h1 mm	h2 mm	h4 mm	L mm	Pitch e mm
KSU 013 500...	880-K325 881-K325 8811-K325	K 82,5	500	100	41,4	25	18	16	-	90
KSU 018 610...	880-K450 881-K450 8811-K450	K 114,3	610	125	41,4	25	18	16	-	120
KSU 030 610...	881-K750 8811-K750	K 190,5	610	200	41,4	25	18	16	-	195
KSU 218 610...	882-K450	K 114,3	610	125	58	27	21	16	-	120
KSU 230 610...	882-K750	K 190,5	610	200	58	27	21	16	-	195
KSU 240 610...	882-K1000	K 254	610	265	58	27	21	16	-	260

Material : polyethylene **PE** with molecular density 1.000.000 (UHMWPE).

Colour : black.

State of supply : the corner tracks are supplied complete with carry and return sections.

The return plate must be perfectly aligned with the track plane.

Special dimensions on application.

When ordering indicate the number of strands required:

Order No. : see above table

Single Strand = 1

Double Strand = 2

Triple Strand = 3

etc.

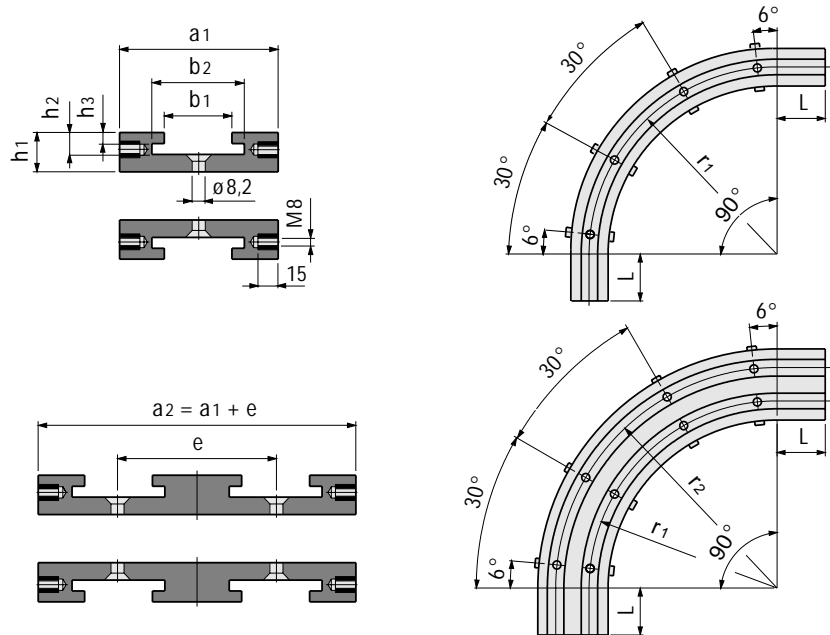
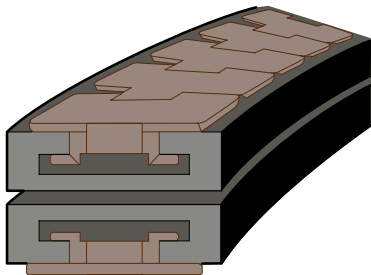
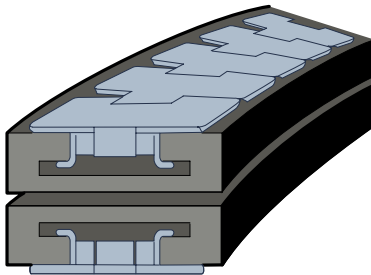
Corner tracks range:

- Without the L straight-line sections.
- Complete with assembly holes and threaded lateral inserts (brass).
- Single or multiple strand.

Compact Corner Tracks

for Series 879 TAB, 880 TAB, 880 TAB-K 454,
HFP 880 TAB, SSC 8811 TAB Rubber Top, 8811 TAB, 882 TAB,
HFP 882 TAB, HFP 882 TAB F, RR 882, 1873, 1874, 4874

KTU



Material: polyethylene PE with
molecular density 1.000.000
(UHMWPE).

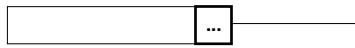
Colour: black.

State of supply: the corner tracks are
supplied complete with carry and
return sections.

* = Supplied without the L straight-line
sections.

Special dimensions on application.

**When ordering indicate the number of
strands required:**



Order No. : see above table

- Single Strand =
- Double Strand =
- Triple Strand =
- etc.

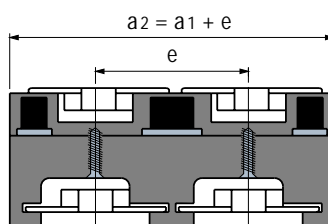
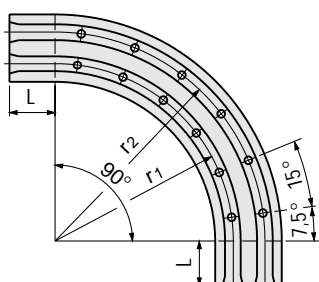
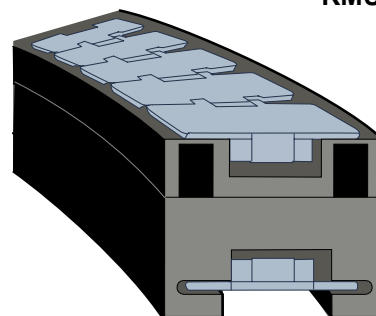
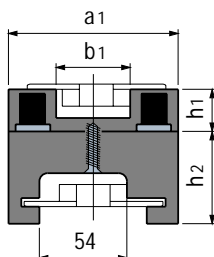
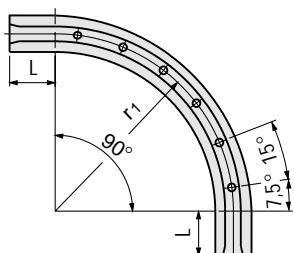
Rexnord Order No.	Used for Chain Type	Chain width mm	Radius r1 mm	Width a1 mm	± 0.5 b1 mm	b2 mm	h1 mm	h2 mm	h3 mm	L mm	Pitch e mm
KTU 013 500...	879 TAB-K325 880 TAB-K325 8811 TAB-K325	K82,5	500	100	45	70	25	18	9,5	-	90
KTU 018 610...	879 TAB-K450 880 TAB-K450 8811 TAB-K454	K114,3	610	125	45	70	25	18	9,5	-	120
KTU 030 610...	8811TAB-K750	K190,5	610	200	45	70	25	18	9,5	-	195
KTU 218 610...	882 TAB-K450	K114,3	610	125	60	90	32	26	16	-	120
KTU 230 610...	882 TAB-K750	K190,5	610	200	60	90	32	26	16	-	195
KTU 240 610...	882 TAB-K1000	K254	610	265	60	90	32	26	16	-	260
KTU 248 610...	882 TAB-K1200	K304,8	610	320	60	90	32	26	16	-	310
KTU 313 500...	1873-K325 1874-K325 4874-K325	K82,5	500	100	34,6	70	36	29	19	-	90
KTU 318 500...	1873-K450 1874-K450	K114,3	500	125						-	120
KTU 324 610...	1873-K600 1874-K600 4874-K600	K152,4	610	160						-	160
KTU 330 610...	1874-K750 4874-K750	K190,5	610	200						-	195
KTU 340 610...	1873-K1000	K254	610	260						-	260
KTU 348 610...	1873-K1200	K304,8	610	310						-	310

Magnetic Corner Tracks

for Series 881 M

The Rexnord magnetic corner concept combines simplicity, with high performance. Strong permanent magnets provide increased magnetic hold-down force.

KMU



Rexnord Order No.	Used for Chain Type	Chain width mm	Radius r1 mm	Width a1 mm	L mm	± 0.5 b1 mm	h1 mm	h2 mm	Pitch e mm
KMU 013 500...*	881 M-K 325	K 82,5	500	100	-	44,2	27	55	90
KMU 013 500...L 125			500	100	125			55	89
KMU 013 500...L 100			500	111	100			55 (63*)	85
KMU 013 680...			680	100	100			55	90
KMU 013 860...			860	100	125			55	90
KMU 113 500...	881 M-K 330	K 83,8	500	100	100			63	85
KMU 018 500...	881 M-K 450	K 114,3	500	129	125			63	120
KMU 018 610...			610	129	125	55 (63*)	120		
KMU 030 610...	881 M-K 750	K 190,5	610	214	125			55	196

Material : polyethylene **PE** with molecular density 1.000.000 (UHMWPE).

Colour : black.

* = Supplied without the L straight-line sections.

● = Only for corner tracks of 2 or more strands.

When ordering indicate the number of strands required:

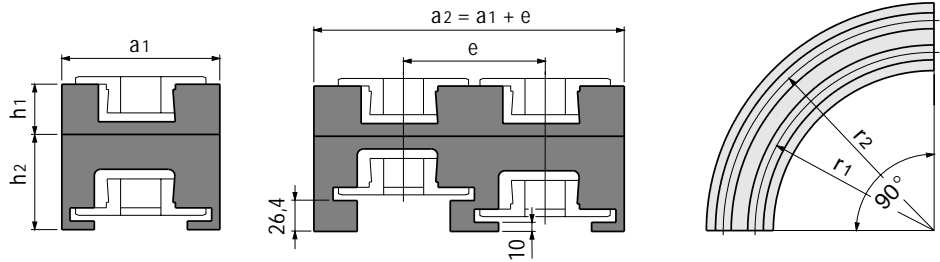
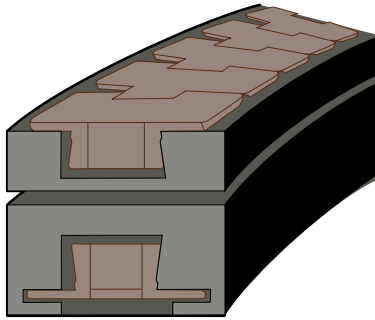
Order No. : see above table

Single Strand = 1
 Double Strand = 2
 Triple Strand = 3
 etc.

Compact Corner Tracks

for Series LPC279

KLPC



Material: polyethylene PE with molecular density 1.000.000 (UHMWPE).

Colour: black.

- = Only for corner tracks of 2 or more strands.

When ordering indicate the number of strands required:

...

Order No. : see above table

Single Strand =

Double Strand =

Triple Strand =

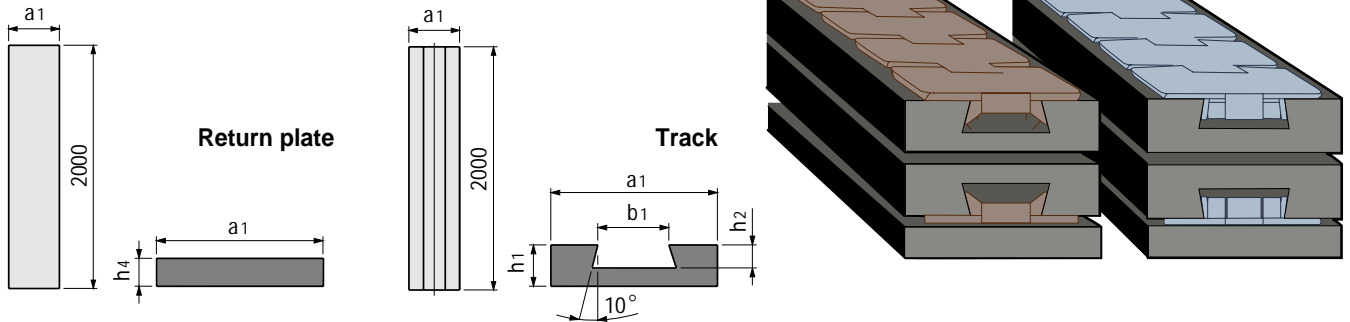
etc.

Rexnord Order No.	Used for Chain Type	Chain width mm	Radius r1 mm	Width a1 mm	h1 mm	h2 mm	Pitch e mm
KLPC 013 457...	LPC279-K325	K 82,5	457	100	27	55 (61,9)●	85
KLPC 013 500...			500				
KLPC 013 610...			610				
KLPC 013 762...			762				
KLPC 013 914...			914				
KLPC 018 457...	LPC279-K450	K 114,3	457	125	27	55 (61,9)●	116
KLPC 018 500...			500				
KLPC 018 610...			610				
KLPC 018 762...			762				
KLPC 018 914...			914				

Compact Straight Tracks

for Series 880, 881, 8811

SSU-SSU/P



Rexnord Order No. Track	Rexnord Order No. Return plate	Used for Chain Type	Chain width mm	Width a1 mm	b1 mm	h1 mm	h2 mm	h4 mm
SSU013	SSU013P	880-K325 881-K325 8811-K325	K 82,5	100	41,4	25	17	15
SSU018	SSU018P	880-K450 881-K450 8811-K450	K 114,3	130				

Material : polyethylene **PE** with molecular density 1.000.000 (UHMWPE).

Colour : black.

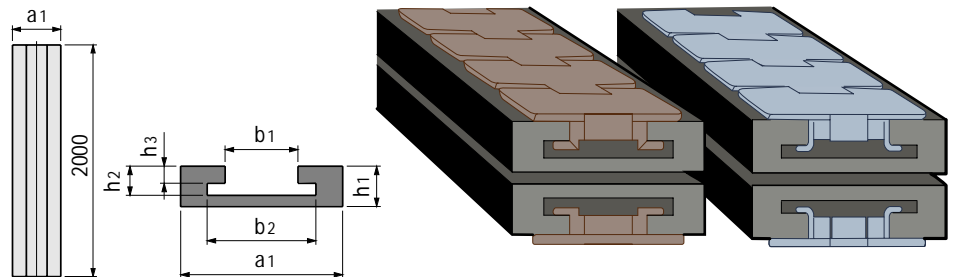
State of supply : N.1 bar of 2 metres.

On request the tracks can be supplied with fixing holes and lateral threaded insert.

Special dimensions on application.

for Series 879 BO, 879 TAB, 880 TAB, 880 B0, 880 TAB-K 454, HFP 880 TAB, HFP 879 BO, HFP 880 BOT, LBP 879 BO, 8811 TAB, SSC 8811 TAB Rubber Top, 882 TAB, HFP 882 TAB, HFP 882 TAB F, RR 882

STU



Rexnord Order No.	Used for Chain Type	Chain width mm	Width a1 mm	b1 mm	b2 mm	h1 mm	h2 mm	h3 mm
STU013	879BO-K325 879TAB-K325 880TAB-K325 8811TAB-K325	K 82,5	100	45	67	25	18	10,5
STU018	879BO-K450 879TAB-K450 880TAB-K450 880TAB-K454 8811TAB-K450	K 114,3	130					
STU218	882TAB-K450	K 114,3	130	60	84	30	24	15
STU230	882TAB-K750	K 190,5	210					
STU240	882TAB-K1000	K 254	270					
STU248	882TAB-K1200	K 304,8	320					

Material : polyethylene **PE** with molecular density 1.000.000 (UHMWPE).

Colour : black.

State of supply : N.1 bar of 2 metres.

On request the tracks can be supplied with fixing holes and lateral threaded insert.

Special dimensions on application.

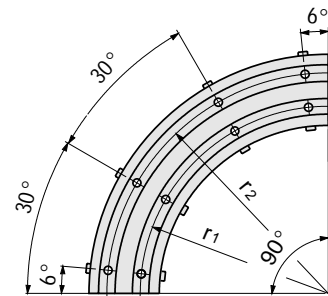
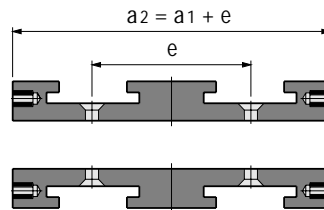
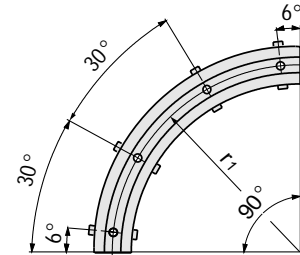
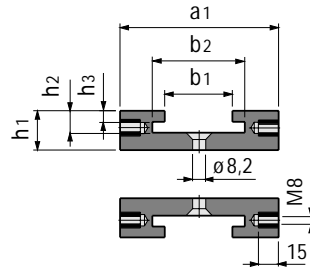
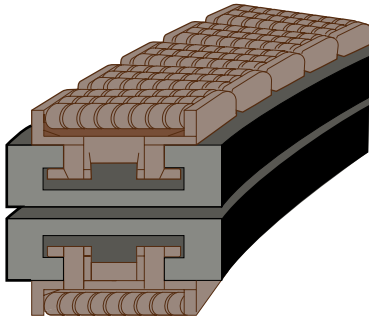
Corner tracks range:

- Complete with assembly holes and threaded lateral inserts (brass).
- Single or multiple strand.

Compact Corner Tracks

for Series LBP 882 TAB, SLBP 882 TAB,
FLBP 882 TAB, LBP 883

KTU



Material: polyethylene PE with molecular density 1.000.000 (UHMWPE).

Colour: black.

State of supply: the corner tracks are supplied complete with carry and return sections.

Special dimensions on application.

Rexnord Order No.	Used for Chain Type	Chain width mm	Radius r1 mm	Width a1 mm	± 0.5 b1 mm	b2 mm	h1 mm	h2 mm	h3 mm	Pitch e mm
KTU 215 670...	LBP 882 TAB - K 375 SLBP 882 TAB - K 375 FLBP 882 TAB - K 375	K 95,2	670	125	58	85	32	26	16	100
KTU 218 610...	LBP 883 TAB - K 450	K 114,3	610	125	58	90	32	26	16	120
KTU 230 610...	LBP 883 TAB - K 750 SLBP 882 TAB - K 750	K 190,5	610	200	58	90	32	26	16	195

When ordering indicate the number of strands required:

Order No. : see above table

Single Strand =

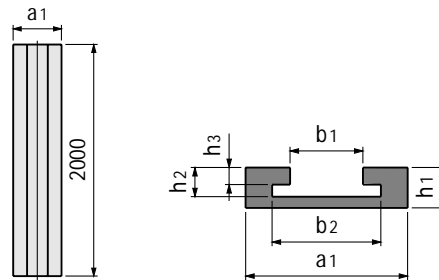
Double Strand =

Triple Strand =

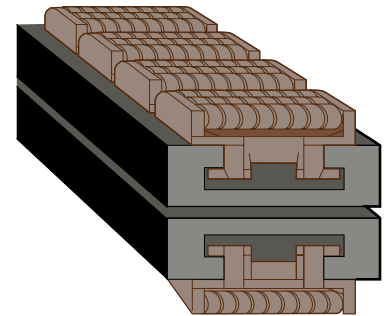
etc.

Compact Straight Tracks

for Series LBP 882 TAB, SLBP 882 TAB,
FLBP 882 TAB, LBP 883



STU



Rexnord Order No.	Used for Chain Type	Chain width mm	Width a ₁ mm	b ₁ mm	b ₂ mm	h ₁ mm	h ₂ mm	h ₃ mm
STU215	LBP 882 TAB-K375 SLBP 882 TAB-K375 FLBP 882 TAB-K375	K95,2	110	60	84	30	24	15
STU218	LBP 883 TAB-K450	K114,3	130					
STU230	LBP 883 TAB-K750 SLBP 882 TAB-K750	K190,5	210					

Material : polyethylene **PE** with molecular density 1.000.000 (UHMWPE).

Colour : black.

State of supply : N.1 bar of 2 metres.

On request the tracks can be supplied with fixing holes and lateral threaded insert.

Special dimensions on application.

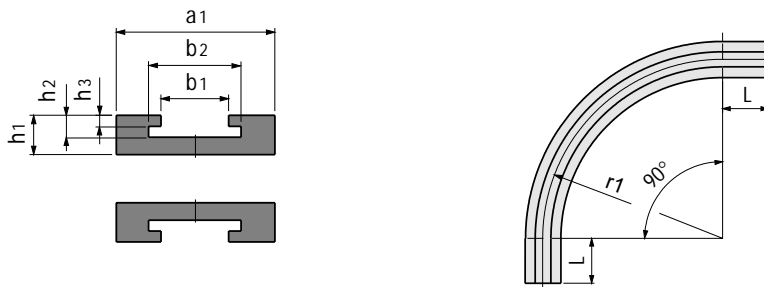
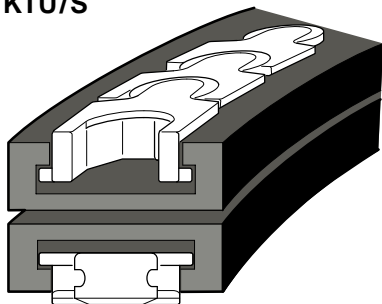
Corner tracks range:

- With the L straight-line sections.
- Without assembly holes or threaded lateral inserts (*supplied on request*).
- Single strand.

Compact Corner Tracks

for Series 1700 TABK, 1701 TABK, 1710 TABK, 1713 TABK

KTU/S



Material: polyethylene PE with molecular density 1.000.000 (UHMWPE).

Colour: black.

State of supply: the corner tracks are supplied complete with carry and return sections.

Special dimensions on application.

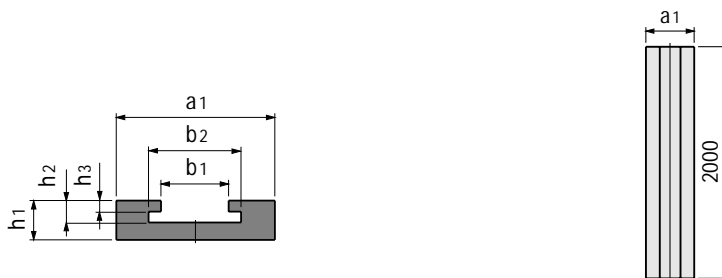
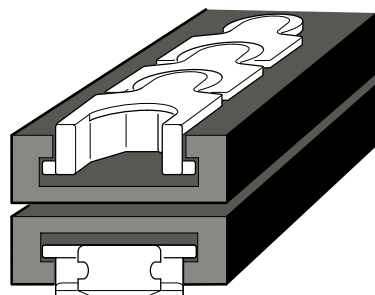
Corner tracks for Series 1700TABK, 1701TABK, 1710TABK, 1713TABK

Rexnord Order No.	Used for Chain Type	Chain width mm	Radius r1 mm	Width a1 mm	b1 mm	b2 mm	h1 mm	h2 mm	h3 mm	L mm
KTU508 250 S	1700TABK 1701TABK	55	250	100	58	70	40	21	12	50
KTU508 500 S			500	100						
KTU515 250 S	1710TABK	98	250	110	58	70	40	31	22	50
KTU515 500 S			500	110						
KTU540 500 S	1713TABK	253	500	270	58	70	40	30,5	20	50

Compact Straight Tracks

for Series 1700 TABK, 1701 TABK, 1710 TABK, 1713 TABK

STU



Material: polyethylene PE with molecular density 1.000.000 (UHMWPE).

Colour: black.

State of supply: N.1 bar of 2 metres.

On request the tracks can be supplied with fixing holes and lateral threaded inserts.

Special dimensions on application.

Rexnord Order No.	Used for Chain Type	Chain width mm	Width a1 mm	b1 mm	b2 mm	h1 mm	h2 mm	h3 mm
STU508	1700TABK 1701TABK	55	100	58	70	40	21	12
STU515	1710TABK	98	110	58	70	40	31	22
STU540	1713TABK	253	270	58	70	40	30	20

Numerical Index

Series	Page	Series	Page	Series	Page	Series	Page
35 RT	64	8012	84	KTU 515/S	100	SSR 812	31
35 RT 327	65	8019	84	KTU 540/S	100	SSR 812-K125	10
35 RT 328	65	8811	12	KU 600	85	SSR 812-K175	10
35 RT 435	65	8811 TAB	12	KU 815	70	SSR 812 TAB	31
512	10	A 600	61	KU 820	76	SSU 013	97
802	9	A 600 TAB	61	KU 821	72-78	SSU 013 P	97
805	9	A 1400	61	KU 880	80	SSU 018	97
812	9	A 1400 TAB	61	KU 881	74	SSU 018 P	97
815	9	A 3150	57	KU 882	82	ST 35	88
820	17	AC 1700 K	54	KU 1700	86	ST 512	73
820 Vacuum	67	AL 3150	87	KU 1755 US	92	ST 815	70
821	18	EP 1700	92	KUS 815	69	ST 1080	88
831	18	FLBP 821	50	KUS 820	76	STU 013	97
843	26	FLBP 882 TAB	51	KUS 821	72-78	STU 018	97
845	26	GG 600	85	KUS 881	74	STU 215	99
866	14	GG 820	70-77	LBP 821	46	STU 218	97-99
879	19	GG 821	72-78	LBP 879 BO	49	STU 230	97-99
879 BO	21	GG 880	80	LBP 882 TAB	47	STU 240	97
879 TAB	20	GG 880 BO	89	LBP 883	49	STU 248	97
880	19	GG 881	74	LPC 279	23	STU 508	100
880 BO	21	GG 882	82	N 800	72	STU 515	100
880 BO F	66	GG 1400	85	N 820	69-76	STU 540	100
880 BO GB	43	GG 1755	87	N 821	78	XLBP 831	45
880 GB	43	HFP 820	33	N 880 BO	89	ZN 1700	86
880 TAB	20	HFP 821	33	N 1108	88	ZN 1700 AS	86
880 TAB-K454	24	HFP 821 F	37	N 1700	86		
880 TAB Vacuum	67	HFP 879 BO	35	N 1700 AS	86		
881	11	HFP 880 BOT	34	ND 1700	91		
881 M	13	HFP 880 TAB	34	ND 1700 B	90		
882	22	HFP 882 TAB	35	ND 1700 FL	92		
882 G	41	HFP 882 TAB F	37	ND 1700 SYM	91		
882 TAB	22	HFP 1877	36	NS 815	69		
963	27	KLPC 013	96	NS 820	76		
1080	63	KLPC 018	96	NS 831	76		
1108	63	KMU 013	95	NS 880	80		
1700 K	53	KMU 018	95	NS 881	74		
1700 TAB K	53	KMU 030	95	NS 882	82		
1701	54	KMU 113	95	NSX 880	81		
1701 TAB K	55	KSU 013	93	NSX 881	75		
1702	56	KSU 018	93	NSX 882	83		
1710 K	58	KSU 030	93	NSXT 820	71-75-77-81		
1710 TAB K	58	KSU 218	93	NX 800	73		
1713 K	59	KSU 230	93	NX 880	81		
1713 TAB K	59	KSU 240	93	NX 880 BO	89		
1716 K	56	KTU 013	94	NX 881	75		
1755	57	KTU 018	94	NX 1108	88		
1790 K	55	KTU 030	94	NX 1700	87		
1843	28	KTU 215	98	NX 1700 AS	87		
1843 G	40	KTU 218	94-98	NXT 820	71-75-77-81		
1864	14	KTU 230	94-98	NXT 821	79		
1873	28	KTU 240	94	RR 882	25		
1873 G	40	KTU 248	94	S 815	70		
1873 GJM	42	KTU 313	94	SLBP 821	46		
1874	15	KTU 318	94	SLBP 882 TAB	47-48		
1874 G	39	KTU 324	94	SS 815	70		
1874 HD G	39	KTU 330	94	SS 1700	86		
2873	29	KTU 340	94	SS 1700 AS	86		
3873	29	KTU 348	94	SSC 802	32		
4874	15	KTU 508/S	100	SSC 8811 TAB	32		

Resistance against chemical agents

CHEMICAL AGENT	Rex -OPTI-Plus® AISI 430		AISI 304		Rex -HP™ Rex -LF® ACETAL D		POLYPROPYLENE PP		POLYAMIDE PA		POLYETHYLENE PE	
	Conc.%	23° C	Conc.%	23° C	Conc.%	23° C	Conc.%	23° C	Conc.%	23° C	Conc.%	23° C
ACETIC ACID	20	-	20	+	5	-	40	+	100	+	10	+
ACETONE	100	+	50	+	/			+	100	+		+
ALUMINIUM CHLORIDE				-					10	+		
AMMONIA	50	+	50	+	Sol.	+	30	+	10	+		+
AMMONIA CONC.						-		+	10	+		+
AMMONIUM CHLORIDE			10	/					10	+		
AMYL ALCOHOL				+				+	100	+		
ANILINE	3	+	3	+	3	+	100	+	/		3	+
BEER		+		+		+		+		+		+
BENZENE	70	/	70	/		+		+		+		/
BENZOIC ACID			100	/			Sat.	+	Sat.	/		
BENZOL		+		+		+		/	100	+		/
BORIC ACID	100	/	100	/		+	Sat.	+	10	+	Sat.	+
BRINE		-				/	Sat.	+		/		+
BUTTER		+		+		+		+		+		+
BUTYL ALCOHOL				+				+	100	+		
BUTYRIC ACID	5	+	5	+		-	100	+		-		+
CALCIUM CHLORIDE	10	-	10	-		/	50	+	10	+	Sat.	+
CARBON SULPHIDE		/		+		+		+	100	+		+
CARBON TETRACHLORIDE	10	-	10	-		+		-		+		/
CAUSTIC SODA		+		+	25	-	52	+	10	+	25	+
CHEESE						+		+		-		+
CHLORINATED WATER		-		-		-		-		+		-
CHLOROFORM	100	/	100	+		-		/	100	-		-
CHOCOLATE						+				-		+
CITRIC ACID	5	+	5	+		/	10	+	10	/		+
CUPRIC SULPHATE	5	+	5	+		+	Sat.	+	10	+		+
DISTILLED WATER		+		+		+		+		+		+
ETHYL ACETAT			100	/				+	100	+		
ETHYL ALCOHOL	10	/	10	+		+	96	+	96	+		+
ETHYL CHLORIDE		+		+		+		-	100	+		/
ETHYL ETHER						+		+	100	+		+
FERRIC CHLORIDE			20	-				+	10	+		
FOOD FATS		+		+		+		+		+		+
FOOD OILS		+		+		+		+		+		+
FORMALDEHYDE	100	/	100	+		+	40	+	30	+		/
FORMIC ACID	5	-	5	/	10	-	100	+	10	-	10	+
FREON 12				+						+		
FRESH WATER		+		+		+		+		+		+
FRUIT JUICES		/		+		+		+		+		+
GASOLINE		+		+		+		/		+		/
GLYCERINE		/		+		+		+		+		+
HYDROCHLORIC ACID					2	/	2	+	2	-	2	+
HYDROCHLORIC ACID		-		-	37	-	30	+	10	-	37	+
HYDROFLUORIC ACID		-		-		-	40	+	40	-	70	+
HYDROGEN PEROXIDE	30	+	30	+		-	30	+	3	-		+
IODINE						+		+		-		+
LACTIC ACID	5	/	5	+		+	20	+	10	+		+
LINSEED OIL			100	+				+		+		
MAGNESIUM CHLORIDE			5	+			Sat.	+	10	+		
MERCURY	100	/	100	/		+	100	+		+		+
METHYL ALCOHOL	100	/	100	/		+		+	100	+		+
METHYLENE CHLORIDE		/		/		-		/	100	+		/
MILK		+		+		+		+		+		+
MINERAL OILS		+		+		+		+		+		+

Resistance against chemical agents

CHEMICAL AGENT	Rex -OPTI-Plus® AISI 430		AISI 304		Rex - HP™ Rex - LF® ACETAL D		POLYPROPYLENE PP		POLYAMIDE PA		POLYETHYLENE PE	
	Conc.%	23° C	Conc.%	23° C	Conc.%	23° C	Conc.%	23° C	Conc.%	23° C	Conc.%	23° C
MUSTARD						+		+		-		+
NITRIC ACID	10	/	10	+	5	-		+	10	-	5	/
OLEIC ACID	100	/	100	/		-		+	100	+		/
PARAFFIN		+		+		+	100	/		+		+
PETROLEUM		+		+		+	100	/		+		-
PETROLEUM ETHER				+		+		+		+		+
PHENOL			10	+				+		-		
PHOSFORIC ACID	10	-	10	-	10	-	85	+	10	-	95	+
POTASSIUM HYDROXIDE			50	+					10	+		
SEA WATER		-		+		/		+		+		+
SILICONE OIL								+		+		
SILVER NITRATE			60	/			20	+		+		
SOAP AND WATER		+		+		+		+		+		+
SODIUM CARBONATE	5	+	5	+		+	Sat.	+	10	+		+
SODIUM CHLORIDE	5	/	5	+		+	Sat.	+	10	+		+
SODIUM HYDROXIDE				-	10	+	30	+	10	+		+
SODIUM HYPOCHLORITE		-		-		-	20	+		+		+
SODIUM SILICATE			100	+						+		
SODIUM SULPHATE	5	+	5	+		+	Sat.	+	10	+		+
SOFT DRINKS		+		+		+		+		+		+
SUDS								+		+		
SULPHURIC ACID	10	-	10	-	40	-	98	+	10	-	40	/
TARTARIC ACID	10	+	10	+	30	/	10	+		+		+
TETRALINE								-		+		
TINCTURE OF IODINE						+		+		-		+
TRANSFORMER OIL								/		+		
TRICHLOROETHYLENE		+		+		-		/		/		+
TURPENTINE		+		+		-		-		/		-
VASELINE						+		+		+		/
VEGETABLE JUICES		+		+		+		+		+		+
VEGETABLE OILS		+		+		+		+		+		+
VINEGAR		+		+		+		+		+		+
WHISKY		/		+		+		+		+		+
WINE		+		+		+		+		+		+
XILOL		+		+		+		-		+		/
ZINC CHLORIDE			10	-			20	+	10	/		

Abbreviations: Sat. = saturated.

Legend..

- + = Good resistance.
 - / = Fairly good resistance (limited use depending on working conditions).
 - = Poor resistance (not recommended).
- N.B. Where tests have not been carried out the spaces are left

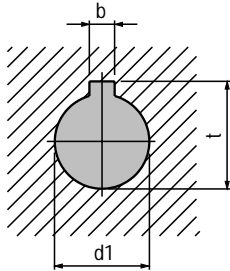
The data shown in this table..

are taken from laboratory tests, performed on unstrained test samples. It should be considered as purely indicative since material behaviour under real working conditions depends on different factors: temperature, concentration of the chemical agent, quick or long-lasting effect of the chemical agent.

Keyway Dimensions

■ Keyway dimensions for metric shaft diameters

According to UNI 6604 - 69 / ISO 773



d1 m	b m		t m	
	nom	toll.	nom	toll.
25	8	+ 0,036 0	28,3	+ 0,2 0
30	8		33,3	
35	10		38,3	
40	12	+ 0,043 0	43,3	
45	14		48,8	
50	14		53,8	
60	18		64,4	

■ Keyway dimensions for imperial shaft diameters

USA standard dimensions

d1 inc	b inc		t inc	
	min	ma	mi	ma
1 "	0,250	0,252	1,114	1,124
1 1/4 "	0,250	0,252	1,367	1,377
1 1/2 "	0,375	0,377	1,669	1,679
1 3/4 "	0,375	0,377	1,922	1,932
2 "	0,500	0,502	2,223	2,233

Rexnord – Partners in Industry

LF 880 handling cartons



SSC 881 M for crate conveying



3873 in a self-service restaurant



REX-OPTI-Plus in pressureless combiner



SALES OFFICES:

- Austria** - Wien
Denmark - Copenhagen
France - Paris-Lyon
Germany - Betzdorf (with distribution centre)
- Düsseldorf - Siegen - Stuttgart
Italy - Correggio (with distribution centre)
Netherlands - 's-Gravenzande (with distribution centre)
United Kingdom - Warrington
Canada - Edmonton - Montreal - Toronto - Vancouver
United States - Atlanta (GA) - Columbus (OH)
- Dallas (TX) - Fresno (CA) - Grafton (WI)
Mexico - Cordoba - Guadalajara
- Mexico City - Queretaro
Brazil - Sao Leopoldo - Sao Paulo
Australia - Melbourne - Sydney
Singapore - Singapore
China - Shanghai



Rexnord Marbett s.p.A.

Italy

Via della Costituzione, 45

42015 Correggio (RE)

Tel. 0522 - 639333

Fax 0522 - 637778

E-mail vendite.italia@rexnordmarbett.it

RMCC Nederland

P.O. Box 112

2690 AC 's-Gravenzande

The Netherlands

Phone 0174 - 445111

Fax 0174 - 445222

E-mail mcc@euronet.nl

