

Linear & Rotary
Drive Solutions

KRP KRPX DRP Ranges



KRP

Linear & Rotary Axis Drive

Top of its class drive

One for all : the best choice for flange mounting solution

KRP's original design provides the highest output pinion arrangement capacity and stiffness with its massive integral output pinion.

- > Original design
- > Zero backlash electrical or mechanical preload available
- > Stiffness optimized design, ideal for high-dynamic linear or rotation servo-axis
- > 100% compliant with machine-tools quality manufacturing and testing standards





KRPX

Linear axis Drive

The machine frame extension

Side mounting in electrical preload : a design and assembly which really pays-off !

KRPX is designed for side mounting providing high stiffness and machine total cost optimization.

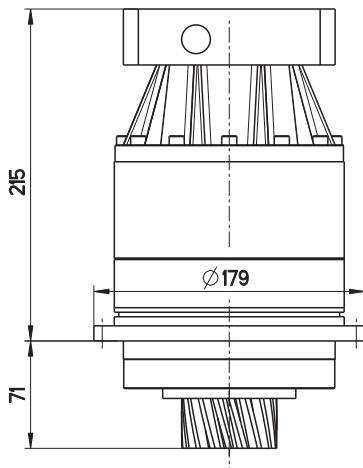
- › Smart, cost saving design, easy setting with keyway
- › Zero backlash electrical preload available
- › Stiffness optimized design, ideal for high-dynamic linear servo-axis
- › 100% compliant with machine-tools quality manufacturing and testing standards



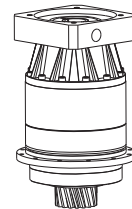
Linear & Rotary Axis Drive Solution



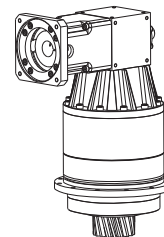
KRP Size 1



inline version - **M**

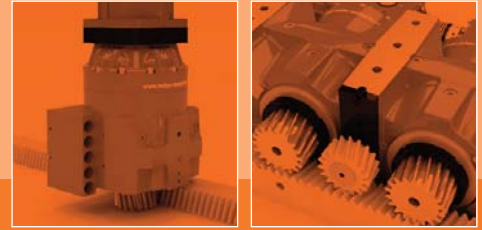


right-angle version - **R**



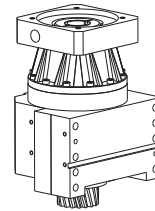
Technical features

Linear Stiffness		K_{2T}	N/mm	182 319
Peak accel. Feed Force	i.e. ratio = 21	F_{2B}	N	18 640
	i.e. ratio = 31		N	26 285
Nominal Feed force	i.e. ratio = 21	F_{2N}	N	10 646
	i.e. ratio = 31		N	15 010
Weight		m	kg	20 (type M) / 24 (type R)

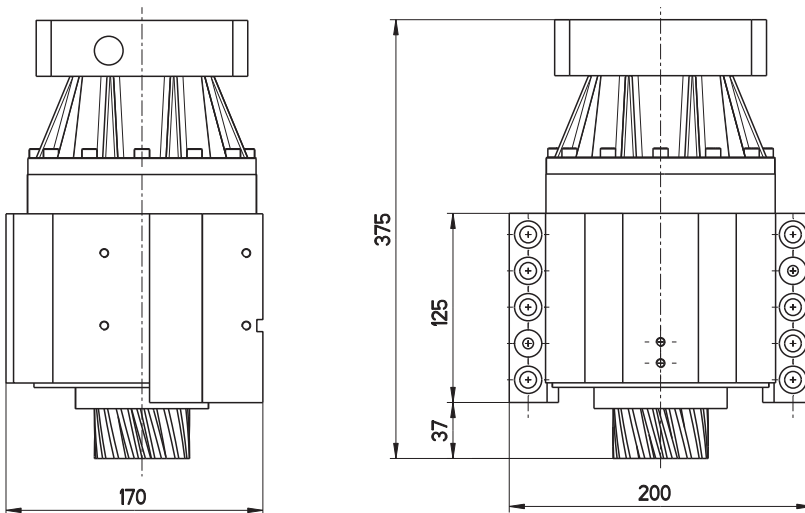
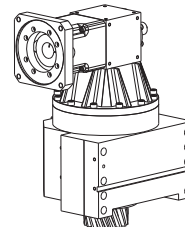


KRPX Size 1

inline version - **M**



right-angle version - **R**



Available ratios	i		5	7	10	21	31	46	61	91
Output pinion				straight			Helical 19°31'42"			
Module	m_0	mm		3			3			
N# of teeth	-	-		19			18			
Pitch diameter	D_{02}	mm		57			57.30			
Addendum	x_0	-		0.167			0.118			

NOTES
 2-stages versions shown above, but many other standard sizes and options available. Dimensions and main data for information only. Please consult us and / or refer to Product Datasheets
 (*) According to motor's data

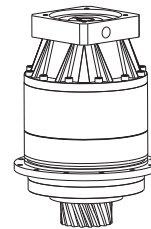
REDEX

Linear & Rotary Axis Drive Solution

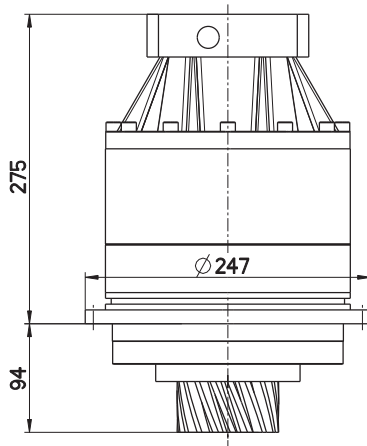
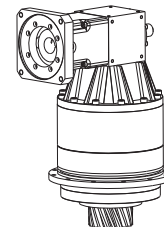


KRP Size 2

inline version - **M**

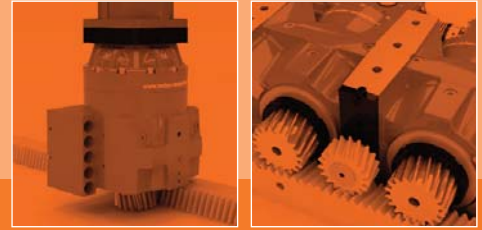


right-angle version - **R**



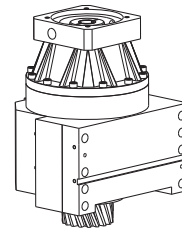
Technical features

Linear Stiffness		K_{2T}	N/mm	284 986
Peak accel. Feed Force	i.e. ratio = 21	F_{2B}	N	36 652
	i.e. ratio = 31		N	54 978
Nominal Feed force	i.e. ratio = 21	F_{2N}	N	20 944
	i.e. ratio = 31		N	31 416
Weight		m	kg	49 (type M) / 56 (type R)

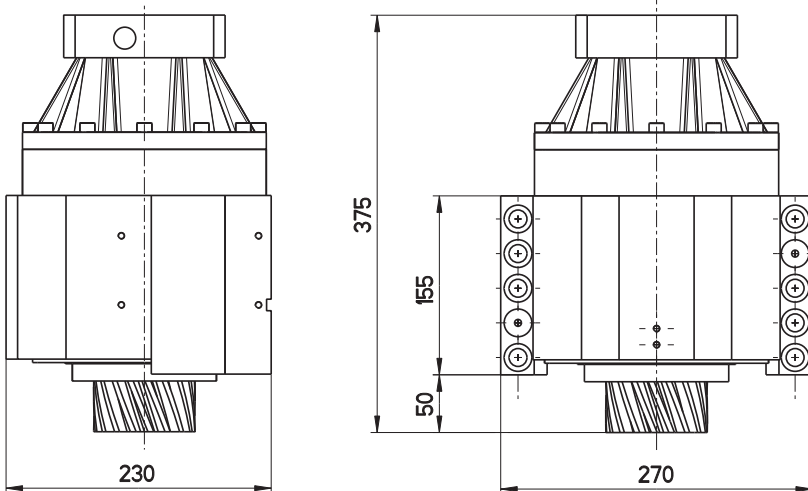
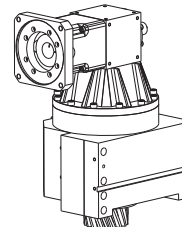


KRPX Size 2

inline version - **M**



right-angle version - **R**



Available ratios	i		5	7	10	21	31	46	61	91
Output pinion			straight				Helical 19°31'42"			
Module	m_0	mm	4				4			
N# of teeth	-	-	19				18			
Pitch diameter	D_{02}	mm	76				76.39			
Addendum	x_0	-	0.688				0.638			

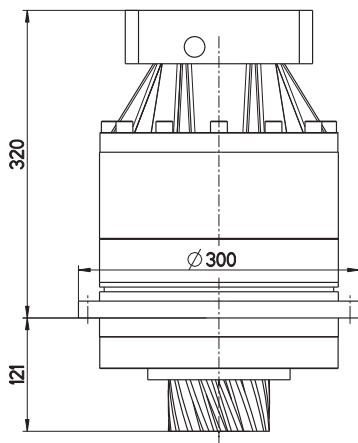
NOTES
 2-stages versions shown above, but many other standard sizes and options available. Dimensions and main data for information only. Please consult us and / or refer to Product Datasheets
 (*) According to motor's data

REDEX

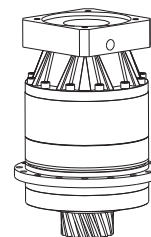
Linear & Rotary Axis Drive Solution



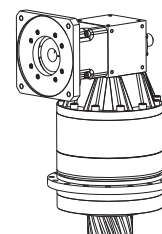
KRP Size 3



inline version - **M**

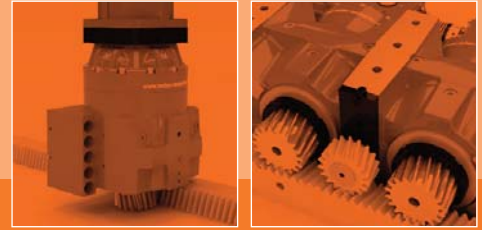


right-angle version - **R**



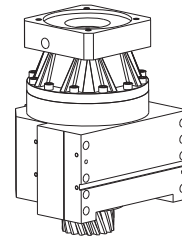
Technical features

Linear Stiffness		K_{2T}	N/mm	418 445
Peak accel. Feed Force	i.e. ratio = 21	F_{2B}	N	54 978
	i.e. ratio = 31		N	80 634
Nominal Feed force	i.e. ratio = 21	F_{2N}	N	31 416
	i.e. ratio = 31		N	46 077
Weight		m	kg	103 (type M) / 116 (type R)

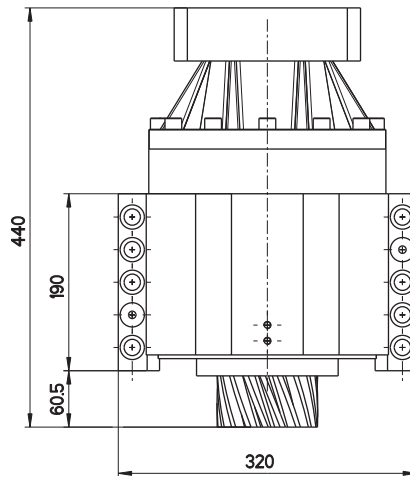
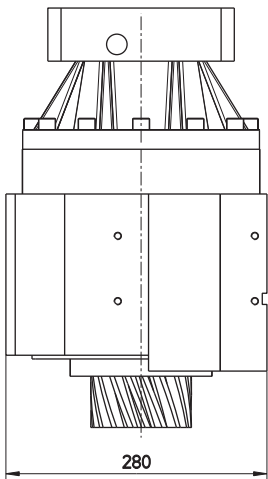
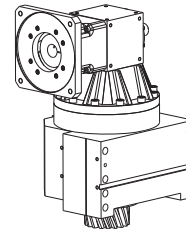


KRPX Size 3

inline version - **M**



right-angle version - **R**



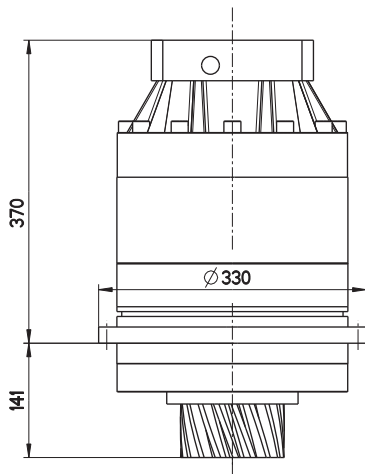
Available ratios	i	-	-	-	21	31	46	61	91
Output pinion					straight				Helical 19°31'42"
Module	m_0	mm			5				5
N# of teeth	-	-			19				18
Pitch diameter	D_{02}	mm			95				95.49
Addendum	x_0	-			0.300				0.251

NOTES
 2-stages versions shown above, but many other standard sizes and options available. Dimensions and main data for information only. Please consult us and / or refer to Product Datasheets (*) According to motor's data

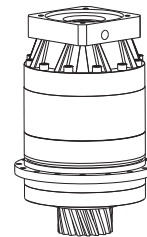
Linear & Rotary Axis Drive Solution



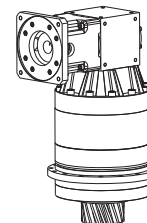
KRP Size 4



inline version - **M**

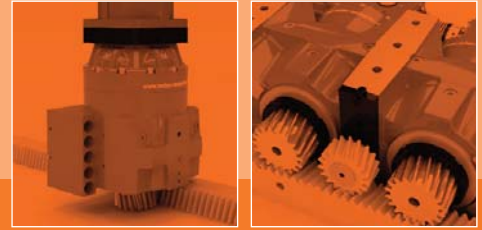


right-angle version - **R**



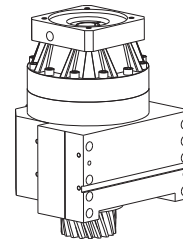
Technical features

Linear Stiffness		K_{2T}	N/mm	440 466
Peak accel. Feed Force	i.e. ratio = 21	F_{2B}	N	106 901
	i.e. ratio = 31		N	109 956
Nominal Feed force	i.e. ratio = 21	F_{2N}	N	61 086
	i.e. ratio = 31		N	62 832
Weight		m	kg	169 (type M) / 200 (type R)

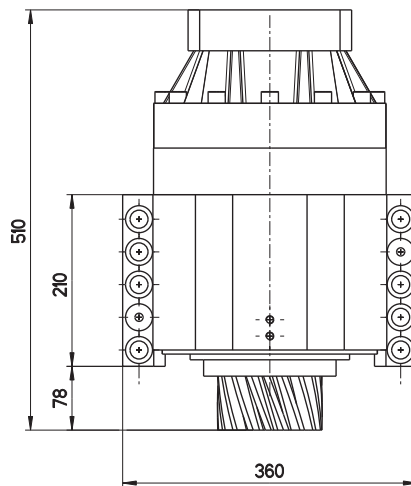
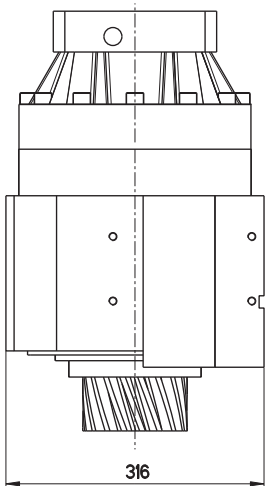
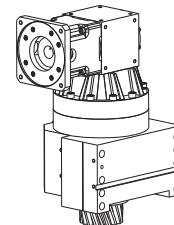


KRPX Size 4

inline version - **M**



right-angle version - **R**



Available ratios	i	-	-	-	21	31	46	61	91
-------------------------	---	---	---	---	----	----	----	----	----

Output pinion			straight	Helical 19°31'42"
Module	m_0	mm	6	6
N# of teeth	-	-	19	18
Pitch diameter	D_{02}	mm	114	114.59
Addendum	x_0	-	0.250	0.201

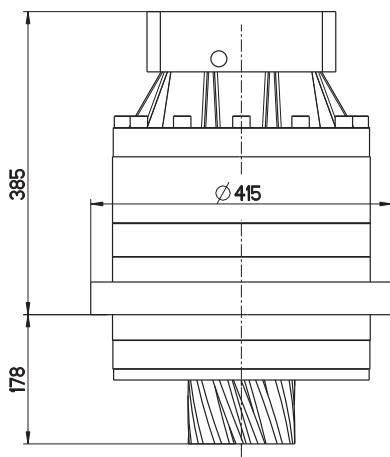
NOTES
 2-stages versions shown above, but many other standard sizes and options available. Dimensions and main data for information only. Please consult us and / or refer to Product Datasheets
 (*) According to motor's data

REDEX

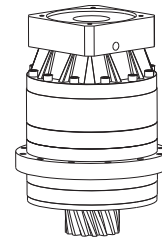
Linear & Rotary Axis Drive Solution



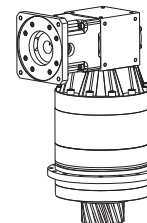
KRP size 5



inline version - **M**

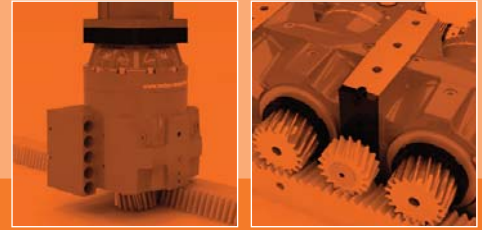


right-angle version - **R**



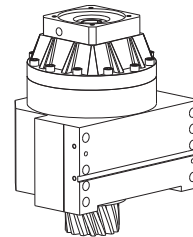
Technical features

Linear Stiffness		K_{2T}	N/mm	536 298
Peak accel. Feed Force	i.e. ratio = 21	F_{2B}	N	118 124
	i.e. ratio = 31		N	157 865
Nominal Feed force	i.e. ratio = 21	F_{2N}	N	73 827
	i.e. ratio = 31		N	105 243
Weight		m	kg	334 (type M) / 430 (type R)

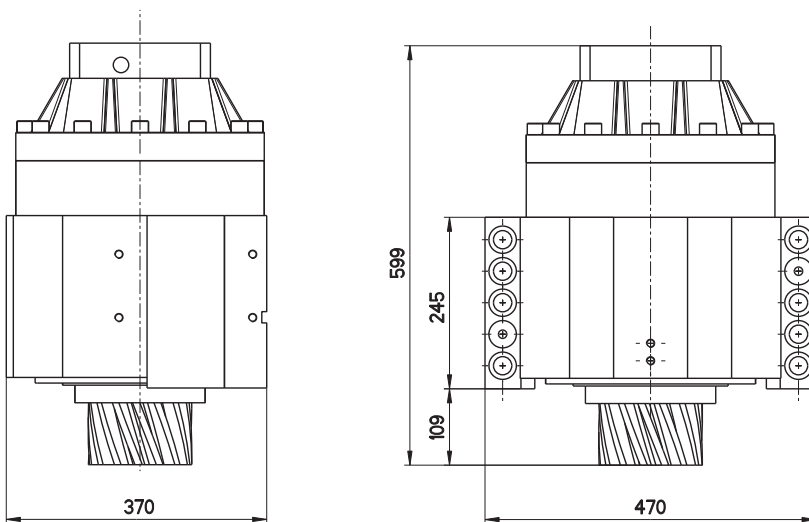
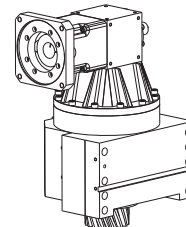


KRPX size 5

inline version - **M**



right-angle version - **R**



Available ratios	i	-	-	-	21	31	46	61	91
Output pinion					straight		Helical 19°31'42"		
Module	m_0	mm			8		8		
N# of teeth	-	-			16		15		
Pitch diameter	D_{02}	mm			128		127.32		
Addendum	x_0	-			0.311		0.354		

NOTES
 2-stages versions shown above, but many other standard sizes and options available. Dimensions and main data for information only. Please consult us and / or refer to Product Datasheets
 (*) According to motor's data

REDEX



DRP

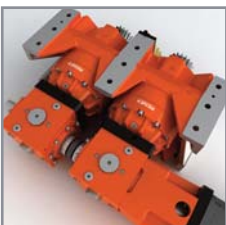
Integrated preloaded Drive

Turnkey Drive solution

Universal housing for universal mounting : user friendly integration of preloaded system

Delivered as a complete machine sub-assembly, DRP is a multifunction patented system providing the easiest integration to the machine (geometry, lubrication, setting). It is the favorite choice of key OEM worldwide.

- > Patented exclusive design, versatile solution
- > Smart integration of rack and pinion lubrication
- > Zero backlash electrical or mechanical preload
- > Stiffness optimized design, ideal for any type of preloaded linear or rotation servo-axis
- > 100% compliant with machine-tools quality manufacturing and testing standards

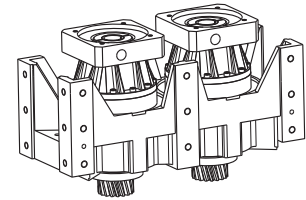
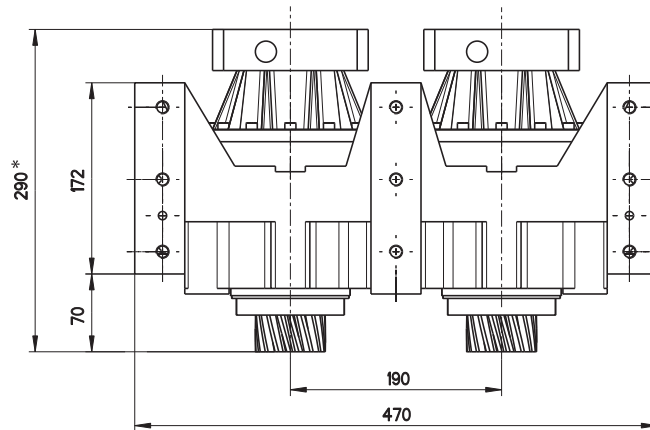
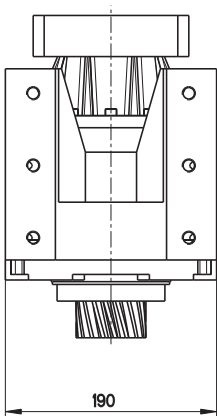


Linear & Rotary Axis Drive Solution



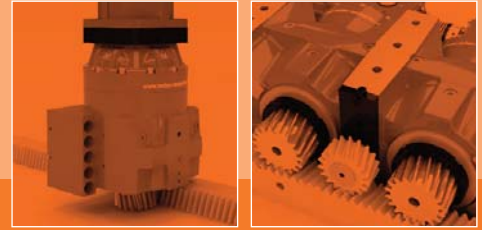
DRP Size 1

inline version - **M**

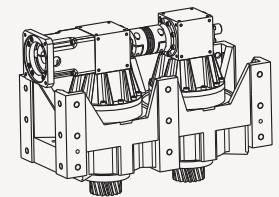
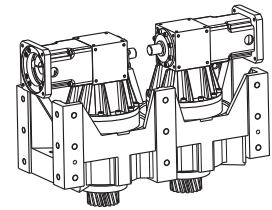
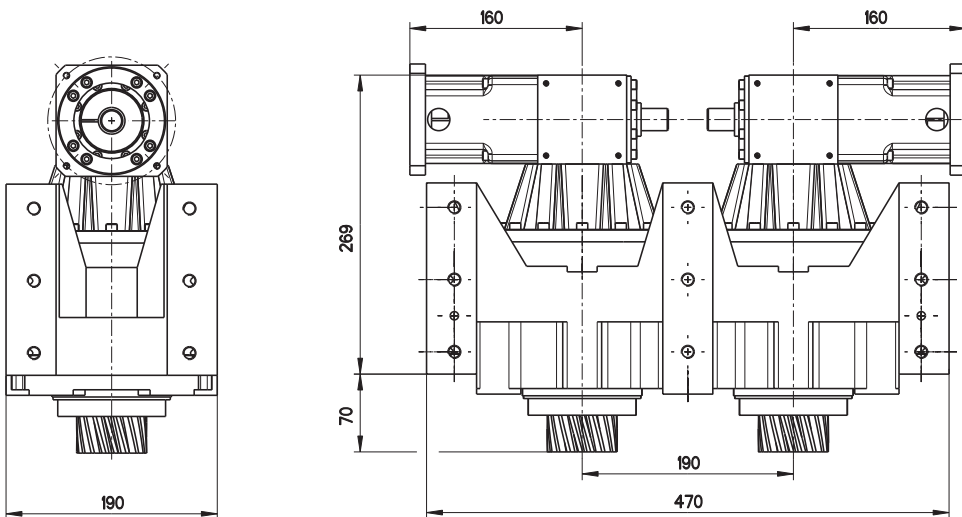


Technical features

Linear Stiffness		K_{2T}	N/mm	182 319
Peak accel. Feed Force	i.e. ratio = 21	F_{2B}	N	18 640
	i.e. ratio = 31		N	26 285
Nominal Feed force	i.e. ratio = 21	F_{2N}	N	10 646
	i.e. ratio = 31		N	15 010
Weight		m	kg	109 (type M) / 115 (type R)



right-angle version - R



> mechanical preload available

Available ratios	i		5	7	10	21	31	46	61	91
Output pinion			straight				Helical 19°31'42"			
Module	m_0	mm	3				3			
N# of teeth	-	-	19				18			
Pitch diameter	D_{02}	mm	57				57.30			
Addendum	x_0	-	0.167				0.118			

NOTES
 2-stages versions shown above, but many other standard sizes and options available. Dimensions and main data for information only. Please consult us and / or refer to Product Datasheets (*) According to motor's data

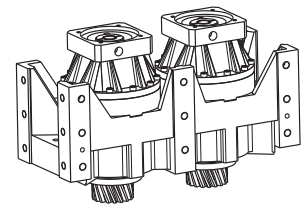
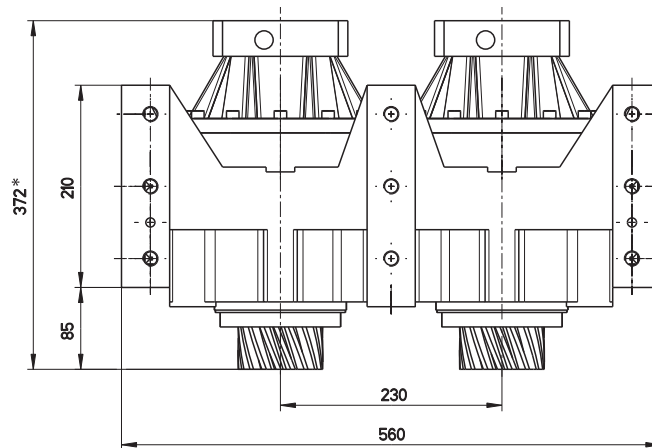
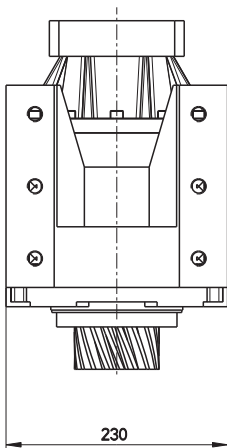
REDEX

Linear & Rotary Axis Drive Solution



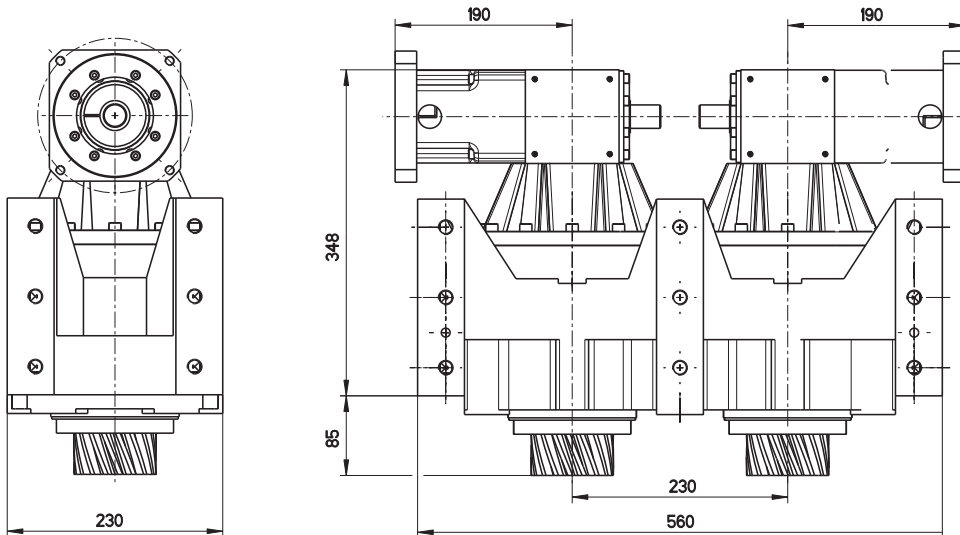
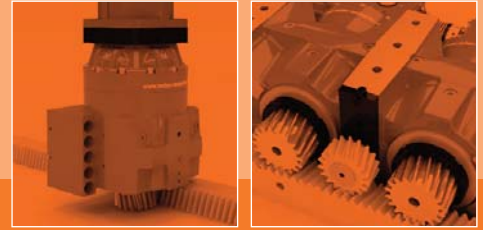
DRP Size 2

inline version - **M**

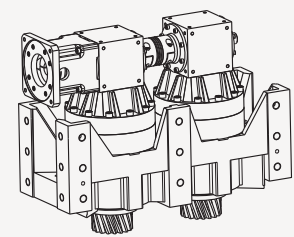
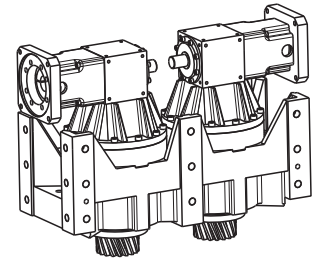


Technical features

Linear Stiffness		K_{2T}	N/mm	284 986
Peak accel. Feed Force	i.e. ratio = 21	F_{2B}	N	36 652
	i.e. ratio = 31		N	54 978
Nominal Feed force	i.e. ratio = 21	F_{2N}	N	20 944
	i.e. ratio = 31		N	31 416
Weight		m	kg	202 (type M) / 207 (type R)



right-angle version - **R**



> mechanical preload available

Available ratios	i		5	7	10	21	31	46	61	91
Output pinion						straight				Helical 19°31'42"
Module	m_0	mm		4				4		
N# of teeth	-	-		19				18		
Pitch diameter	D_{02}	mm		76				76.39		
Addendum	x_0	-		0.688				0.638		

NOTES
 2-stages versions shown above, but many other standard sizes and options available.
 Dimensions and main data for information only.
 Please consult us and / or refer to Product Datasheets
 (*) According to motor's data

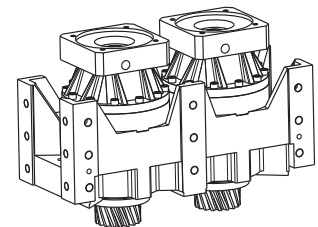
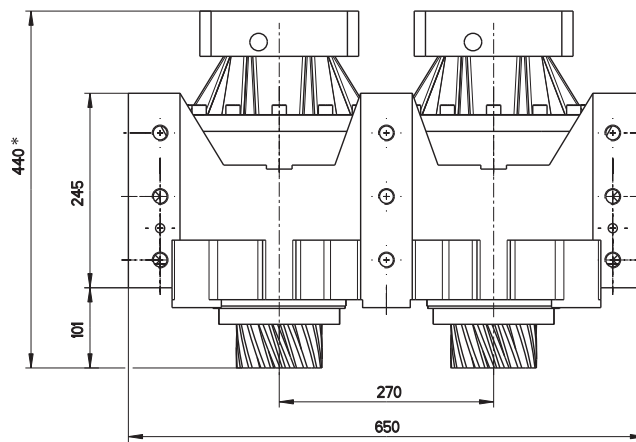
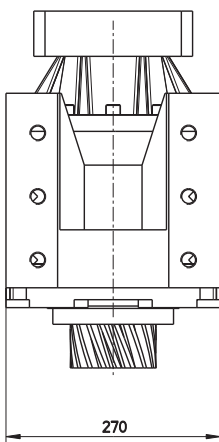
REDEX

Linear & Rotary Axis Drive Solution



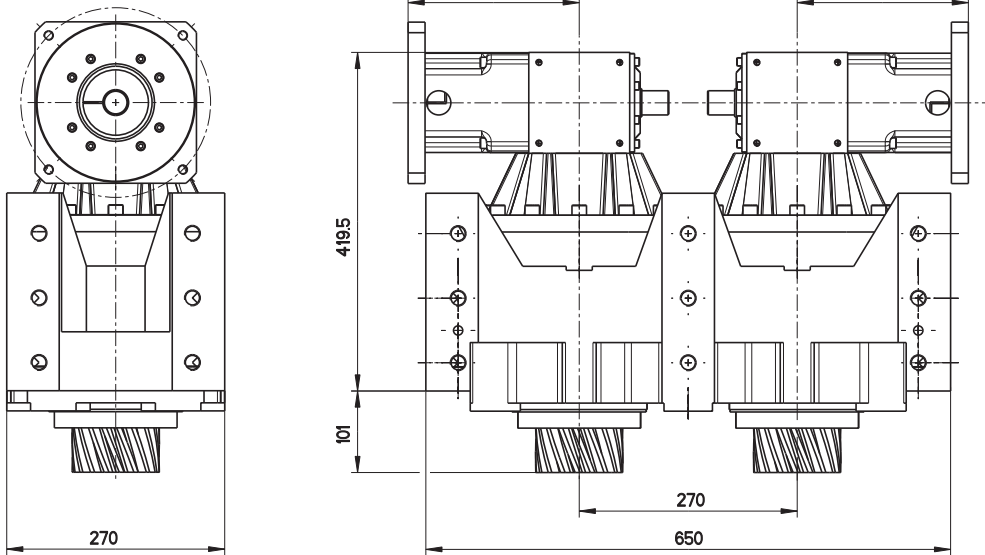
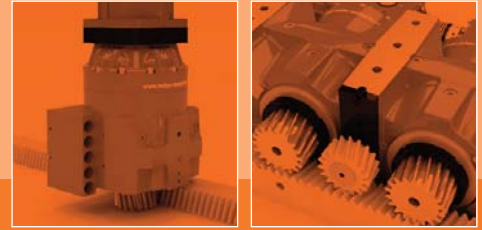
DRP Size 3

inline version - **M**

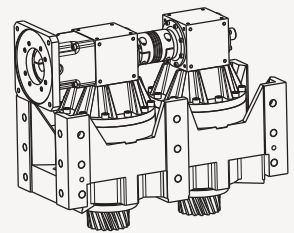
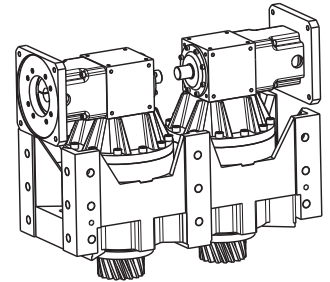


Technical features

Linear Stiffness		K_{2T}	N/mm	418 445
Peak accel. Feed Force	i.e. ratio = 21	F_{2B}	N	54 978
	i.e. ratio = 31		N	80 634
Nominal Feed force	i.e. ratio = 21	F_{2N}	N	31 416
	i.e. ratio = 31		N	46 077
Weight		m	kg	294 (type M) / 300 (type R)



right-angle version - **R**



> mechanical preload available

Available ratios	i	-	-	-	21	31	46	61	91
Output pinion					straight		Helical 19°31'42"		
Module	m_0	mm			5		5		
N# of teeth	-	-			19		18		
Pitch diameter	D_{02}	mm			95		95.49		
Addendum	x_0	-			0.300		0.251		

NOTES
 2-stages versions shown above, but many other standard sizes and options available.
 Dimensions and main data for information only.
 Please consult us and / or refer to Product Datasheets
 (*) According to motor's data

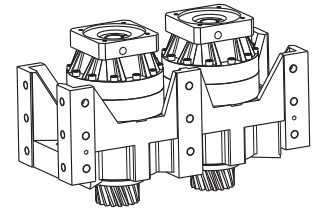
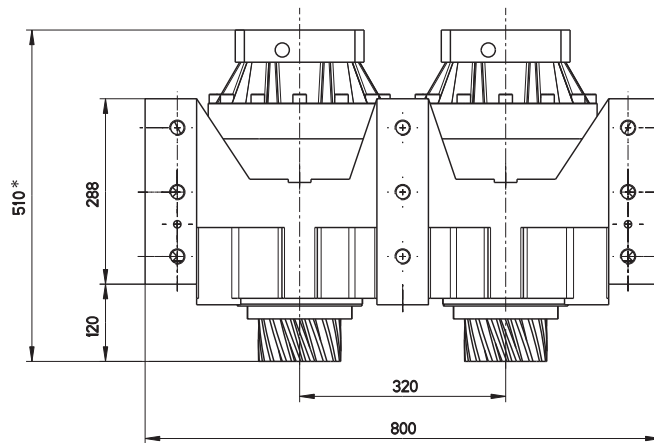
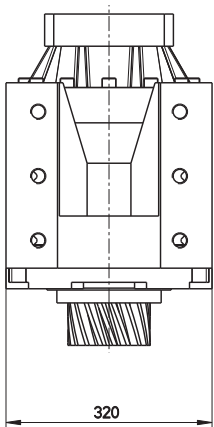
REDEX

Linear & Rotary Axis Drive Solution



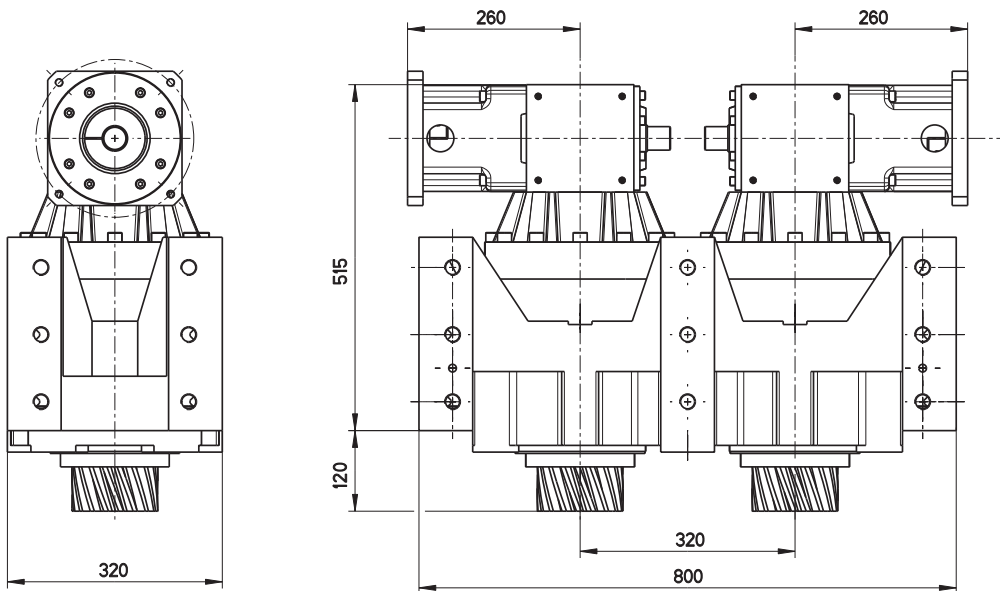
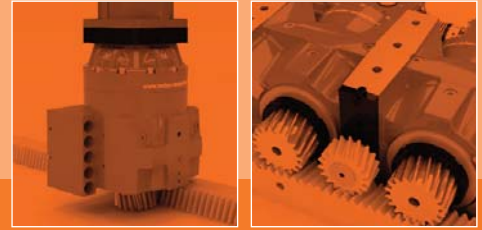
DRP Size 4

inline version - **M**

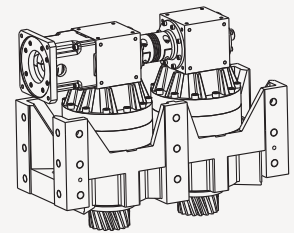
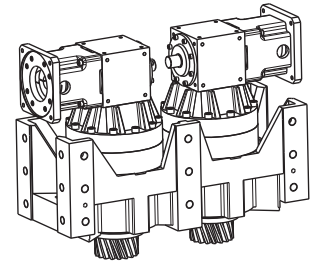


Technical features

Linear Stiffness		K_{2T}	N/mm	440 466
Peak accel. Feed Force	i.e. ratio = 21	F_{2B}	N	106 901
	i.e. ratio = 31		N	109 956
Nominal Feed force	i.e. ratio = 21	F_{2N}	N	61 086
	i.e. ratio = 31		N	62 832
Weight		m	kg	506 (type M) / 520 (type R)



right-angle version - **R**



> mechanical preload available

Available ratios	i	-	-	-	21	31	46	61	91
Output pinion					straight		Helical 19°31'42"		
Module	m_0	mm			6		6		
N# of teeth	-	-			19		18		
Pitch diameter	D_{02}	mm			114		114.59		
Addendum	x_0	-			0.250		0.201		

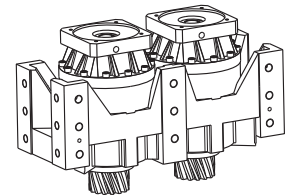
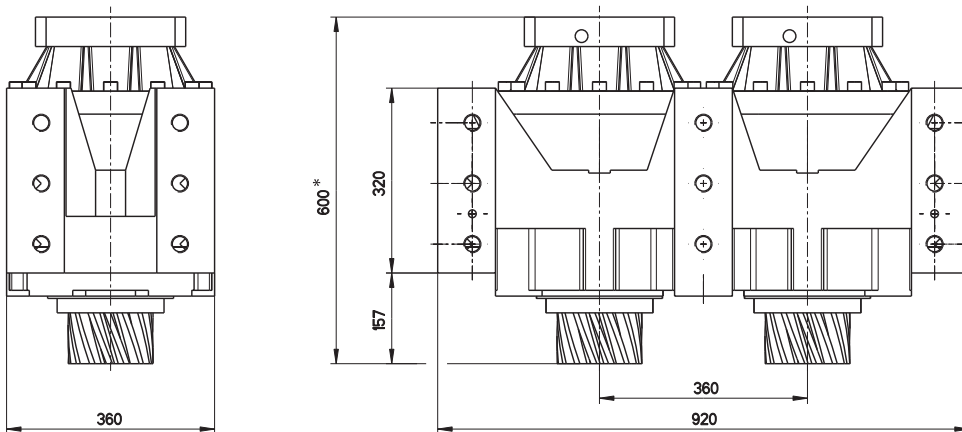
NOTES
 2-stages versions shown above, but many other standard sizes and options available. Dimensions and main data for information only. Please consult us and / or refer to Product Datasheets
 (*) According to motor's data

Linear & Rotary Axis Drive Solution



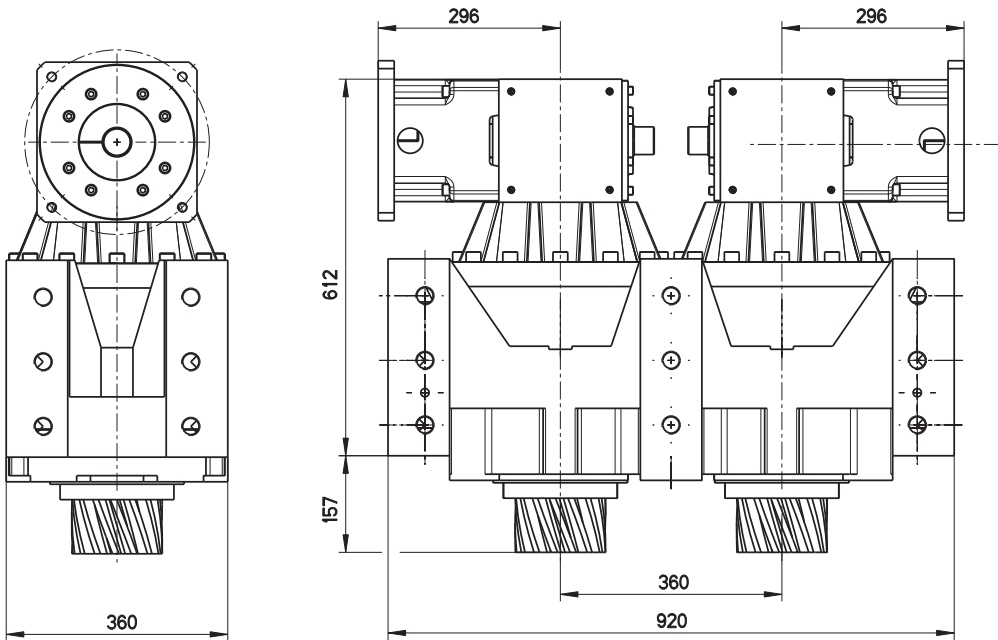
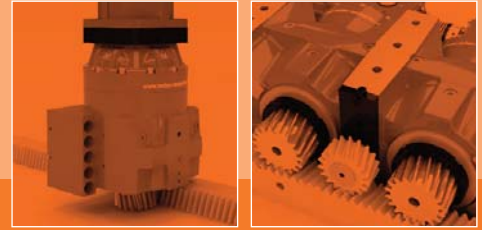
DRP Size 5

inline version - **M**

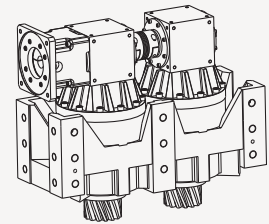
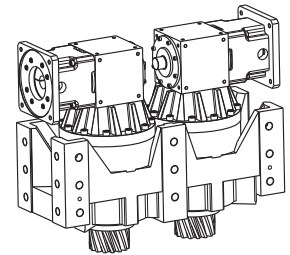


Technical features

Linear Stiffness		K_{2T}	N/mm	536 298
Peak accel. Feed Force	i.e. ratio = 21	F_{2B}	N	118 124
	i.e. ratio = 31		N	157 865
Nominal Feed force	i.e. ratio = 21	F_{2N}	N	73 827
	i.e. ratio = 31		N	105 243
Weight		m	kg	720 (type M) / 770 (type R)



right-angle version - **R**



> mechanical preload available

Available ratios	i	-	-	-	21	31	46	61	91
Output pinion					straight		Helical 19°31'42"		
Module	m_0	mm			8		8		
N# of teeth	-	-			16		15		
Pitch diameter	D_{02}	mm			128		127.32		
Addendum	x_0	-			0.311		0.354		

NOTES
 2-stages versions shown above, but many other standard sizes and options available. Dimensions and main data for information only. Please consult us and / or refer to Product Datasheets
 (*) According to motor's data

REDEX

info@machine-tool-drives.com
www.machine-tool-drives.com

REDEX
The Machine Tool Drives Company