



# EC MOTION

## □42



## STEPPING MOTORS

2-Phase Step Motor | Flange 42mm | 0.5 - 0.93 Nm  
with Encoder

## SCHRITTMOTOREN

2-Phasen Schrittmotoren | Flansch 42mm | 0,5 - 0,93 Nm  
mit Encoder

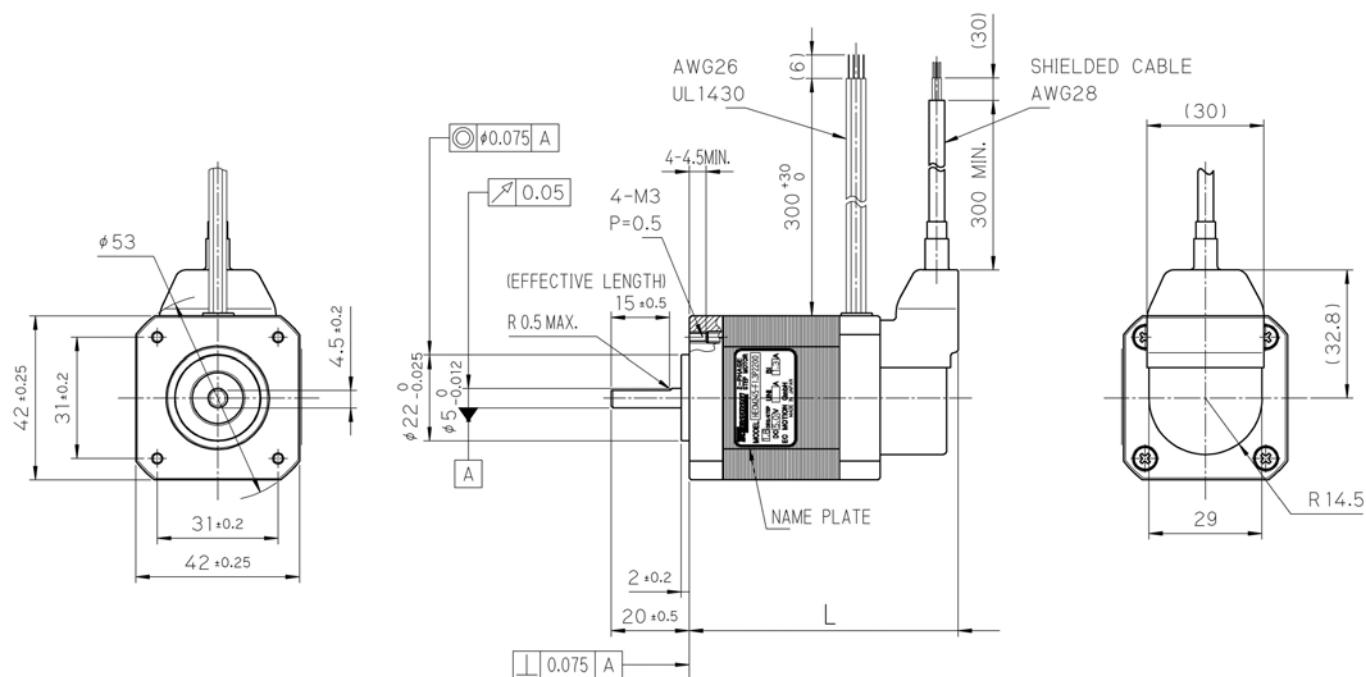


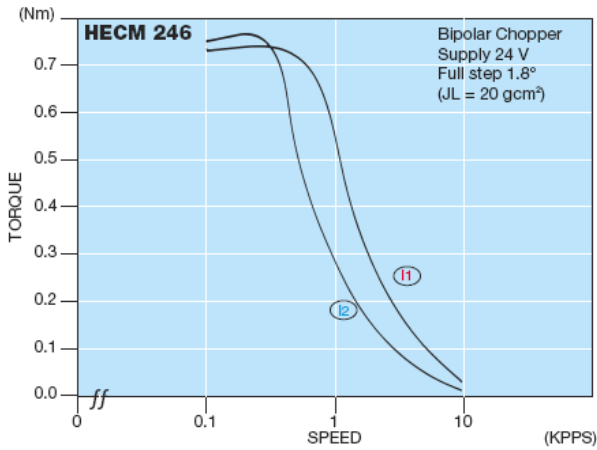
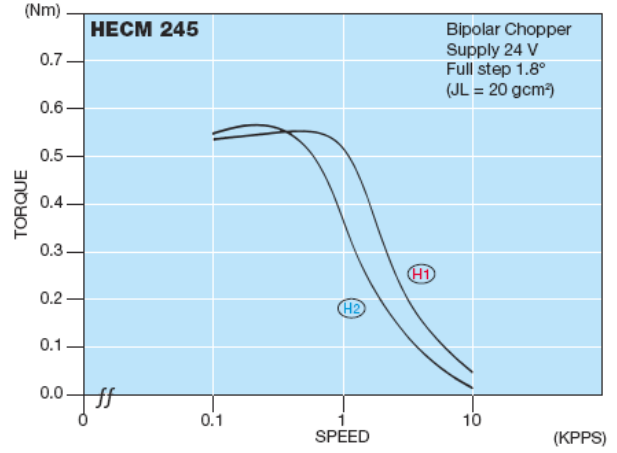
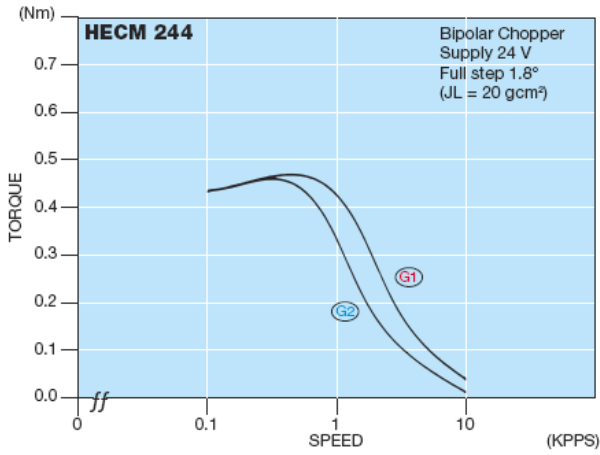
## HECM24... Baureihe

2-Phasen-Schrittmotor mit Encoder  
[1,8° High-Torque-Version]

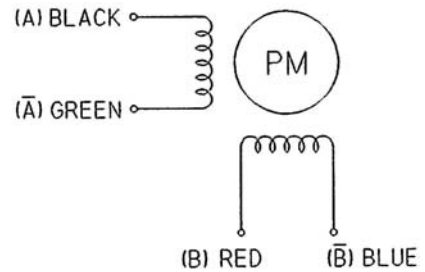
Model P = Line Driver 200 Pulse/Umd.	● Bipolar (4 Leads)				● Unipolar				Speed Torque
	Holding Torque [Nm]	Current / Phase [A]	Resistance / Phase [Ohm]	Inductance / Phase [mH]	Holding Torque [Nm]	Current / Phase [A]	Resistance / Phase [Ohm]	Inductance / Phase [mH]	
HECM244-F1.3P2200	0.50	1.3	3.6	6.0	—	—	—	—	G1
HECM245-F1.3P2200	0.62	1.3	3.8	6.0	—	—	—	—	H1
HECM246-F1.3P2200	0.93	1.3	5.2	10.0	—	—	—	—	I1

Model	Number of Leads	Weight of Motor & Encoder	Size Length	Rotor Inertia
HECM244	4	0.30 kg	61 mm	$57 \times 10^{-7} \text{ kgm}^2$
HECM245	4	0.40 kg	69 mm	$76 \times 10^{-7} \text{ kgm}^2$
HECM246	4	0.50 kg	81 mm	$114 \times 10^{-7} \text{ kgm}^2$





## Schrittmotoranschluss



Optional sind für unsere Schrittmotoren auch Planetengetriebe erhältlich.

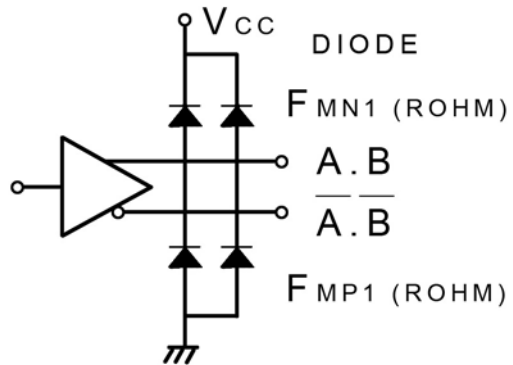
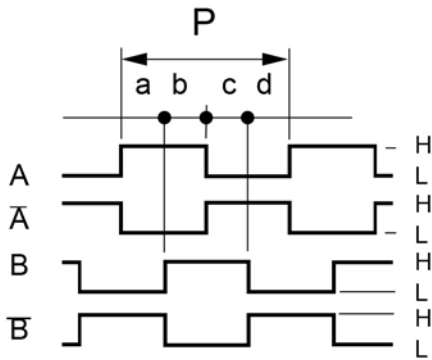




## Encoder Performance

Operating Temp.range : 0°C – 85°C  
 Supply : DC 5V ± 5% , 100mA max  
 Resolution : 200 Counts / Turn  
 Frequency Response : 100K Hz max.  
 A phase difference : 1/4 P ± 1/8 P  
 Code : Incremental A.B (2Ch.)

Output Signal : when output is high : DC 2.4V min  
 Output Signal : when output is low : DC 0.4V max  
 Sinking & Output Current : typical ± 20mA max  
 Rise & Fall Times : 1 µsec max  
 Moment of inertia : 5 g·cm<sup>2</sup> max Encoder only  
 Output Circuit : Line Driver AM26C31IDB



CW Rotation viewed from mounting end. Encoder signal A and B position is "H" at Motor 2Phase on.

### Color of Leadwires and Funktion :

DC 5V = red	A phase = brown	Ā phase = orange
GND = blue	B phase = yellow	B̄ phase = gray

(Old-Version)

A phase = brown	Ā phase = orange
B phase = yellow	B̄ phase = white
DC 5V = red	GND = black



EC Motion GmbH - Auf den Steinen 20 - 41812 Erkelenz  
 Tel.: +49 (0)2164-7014-0 - Fax. : +49 (0)2164-701419  
 Internet: www.ec-motion.de - e-mail: info@ec-motion.de

