



## 11.1 Overview

Compact helical geared motors

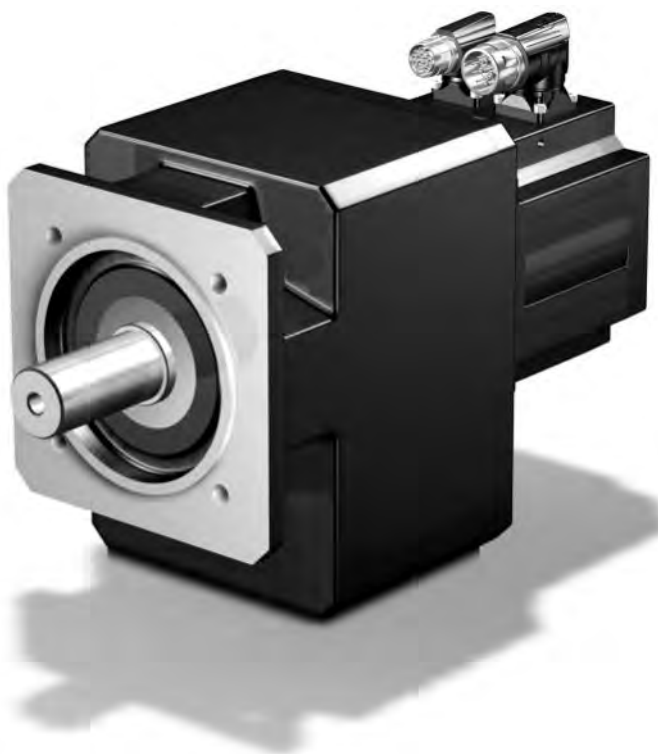
### Technical data

$i$	2 – 270
$M_{2acc}$	8.3 – 6500 Nm
$\Delta\varphi_2$	10 – 20 arcmin
$\eta$	≤ 96 – 97 %

### Features

Power density	★☆☆☆☆
Backlash	★★☆☆☆
Price category	€
Shaft load	★★☆☆☆
Smooth operation	★★★☆☆
Torsional stiffness	★★☆☆☆
Mass moment of inertia	★★★★★
Helical gearing	✓
Maintenance-free (C0 – C5)	✓
FKM seal ring at the input	✓
Reinforced output bearing	✓ (on request)
Compact and highly dynamic due to direct motor attachment	✓

Key: ★☆☆☆☆ good | ★★★★★ excellent





## 11.2 Selection tables

The technical data specified in the selection tables applies to:

- Installation altitudes up to 1000 m above sea level
- Surrounding temperatures from 0 °C to 40 °C
- Drives with convection-cooled motors (e.g. EZ401U)

You can calculate the technical data for drives with forced ventilated motors (for example EZ401B) at <http://products.stoeber.de>.

Formula symbol	Unit	Explanation
$a_{th}$	–	Parameter for calculating $K_{mot,th}$
$C_2$	Nm/ arcmin	Torsional stiffness of gear unit (final stiffness) relative to the gear unit output
$\Delta\varphi_2$	arcmin	Backlash at the output shaft with a blocked input
$\eta$	%	Efficiency
$i$	–	Gear ratio
$i_{\text{exakt}}$	–	Mathematically exact gear ratio
$J_1$	$10^{-4}\text{kgm}^2$	Mass moment of inertia relative to the gear unit input
$m$	kg	Weight
$M_{2,0}$	Nm	Stall torque on the gear unit output
$M_{2acc}$	Nm	Maximum permitted acceleration torque on the gear unit output
$M_{2acc,max}$	Nm	Maximum permitted acceleration torque of a group of geared motors whose size and nominal torque $n_{1N}$ are the same
$M_{2N}$	Nm	Nominal torque on the gear unit output (relative to $n_{1N}$ )
$M_{2NOT}$	Nm	Gear unit emergency-off torque on the gear unit output for max. 1000 load changes
$n_{1maxDBH}$	rpm	Maximum permitted input speed of the gear unit in continuous operation Installation positions EL1, EL2, EL3, EL4 (at surrounding temperature of 20 °C)
$n_{1maxDBV}$	rpm	Maximum permitted input speed of the gear unit in continuous operation Installation positions EL5, EL6 (at surrounding temperature of 20 °C)
$n_{1maxZB}$	$\text{min}^{-1}$	Maximum permitted input speed of the gear unit in cyclic operation (at surrounding temperature of 20 °C)
$n_{1N}$	$\text{min}^{-1}$	Nominal speed at the gear unit input
$n_{2N}$	$\text{min}^{-1}$	Nominal speed at the gear unit output
$S$	–	Load value: Quotient of gear unit and motor nominal torque without regard to the thermal performance limit. Represents a value for the reserve of the geared motor.



11 C helical geared motors  
11.2 Selection tables



$n_{2N}$	$M_{2N}$	$M_{2,0}$	$a_{in}$	S	Type	$M_{2acc}$	$M_{2NOT}$	i	$i_{exakt}$	$n_{1max}$	$n_{1max}$	$n_{1max}$	$J_1$	$\Delta\varphi_2$	$C_2$	m
[rpm]	[Nm]	[Nm]				[Nm]	[Nm]			DBH	DBV	ZB	[10 <sup>-4</sup> kgm <sup>2</sup> ]	[arcmin]	[Nm/arcmin]	[kg]
<b>C0 (n<sub>1N</sub> = 3000 rpm, M<sub>2acc,max</sub> = 72 Nm)</b>																
60	45	46	1.9	1.3	C002_0500 EZ301U	72	96	49.94	899/18	4000	4000	6000	0.21	16	1.6	7.5
64	42	43	1.9	1.4	C002_0470 EZ301U	65	120	46.82	7865/168	4000	4000	6000	0.21	16	1.6	7.5
72	38	38	1.7	1.6	C002_0420 EZ301U	72	120	41.77	3509/84	4000	4000	6000	0.21	16	1.6	7.5
86	32	32	1.6	1.9	C002_0350 EZ301U	65	120	35.03	1261/36	4000	4000	6000	0.23	16	1.6	7.5
96	28	29	1.5	2.1	C002_0310 EZ301U	72	120	31.26	2813/90	4000	4000	6000	0.23	16	1.6	7.5
96	48	51	2.6	1.2	C002_0310 EZ302U	72	120	31.26	2813/90	4000	4000	6000	0.33	16	1.6	8.1
107	25	26	1.4	2.4	C002_0280 EZ301U	65	120	27.99	2015/72	4000	4000	6000	0.25	16	1.6	7.5
107	43	46	2.4	1.4	C002_0280 EZ302U	65	120	27.99	2015/72	4000	4000	6000	0.35	16	1.6	8.1
120	23	23	1.4	2.7	C002_0250 EZ301U	68	120	24.97	899/36	4000	4000	6000	0.25	16	1.6	7.5
120	39	41	2.3	1.6	C002_0250 EZ302U	72	120	24.97	899/36	4000	4000	6000	0.35	16	1.6	8.1
120	50	53	3.0	1.2	C002_0250 EZ303U	72	120	24.97	899/36	4000	4000	6000	0.46	16	1.6	8.6
129	21	21	1.3	2.9	C002_0230 EZ301U	63	120	23.21	325/14	4000	4000	6000	0.27	16	1.6	7.5
129	36	38	2.2	1.7	C002_0230 EZ302U	65	120	23.21	325/14	4000	4000	6000	0.37	16	1.6	8.1
129	47	49	2.9	1.3	C002_0230 EZ303U	65	120	23.21	325/14	4000	4000	6000	0.48	16	1.6	8.6
145	19	19	1.2	3.2	C002_0210 EZ301U	56	120	20.71	145/7	4000	4000	6000	0.27	16	1.6	7.5
145	32	34	2.1	1.9	C002_0210 EZ302U	72	120	20.71	145/7	4000	4000	6000	0.37	16	1.6	8.1
145	42	44	2.7	1.4	C002_0210 EZ303U	72	120	20.71	145/7	4000	4000	6000	0.48	16	1.6	8.6
171	16	16	1.1	3.8	C002_0175 EZ301U	48	120	17.53	3575/204	4000	4000	6000	0.31	16	1.6	7.5
171	27	29	1.9	2.2	C002_0175 EZ302U	65	120	17.53	3575/204	4000	4000	6000	0.41	16	1.6	8.1
171	35	37	2.5	1.7	C002_0175 EZ303U	65	120	17.53	3575/204	4000	4000	6000	0.52	16	1.6	8.6
192	14	14	1.1	4.3	C002_0155 EZ301U	42	110	15.64	1595/102	4000	4000	6000	0.31	16	1.6	7.5
192	24	25	1.8	2.5	C002_0155 EZ302U	72	110	15.64	1595/102	4000	4000	6000	0.41	16	1.6	8.1
192	31	33	2.4	1.9	C002_0155 EZ303U	72	110	15.64	1595/102	4000	4000	6000	0.52	16	1.6	8.6
192	42	46	3.2	1.4	C002_0155 EZ401U	72	120	15.64	1595/102	4000	4000	6000	1.0	16	1.6	10
213	13	13	1.0	4.7	C002_0140 EZ301U	38	100	14.08	169/12	4000	4000	6000	0.35	16	1.6	7.5
213	22	23	1.7	2.8	C002_0140 EZ302U	65	100	14.08	169/12	4000	4000	6000	0.45	16	1.6	8.1
213	28	30	2.3	2.1	C002_0140 EZ303U	65	100	14.08	169/12	4000	4000	6000	0.56	16	1.6	8.6
213	38	41	3.1	1.6	C002_0140 EZ401U	65	120	14.08	169/12	4000	4000	6000	1.1	16	1.6	10
239	11	12	1.0	3.0	C002_0125 EZ301U	34	43	12.57	377/30	4000	4000	6000	0.35	16	1.6	7.5
239	19	20	1.6	3.1	C002_0125 EZ302U	61	91	12.57	377/30	4000	4000	6000	0.45	16	1.6	8.1
239	25	27	2.1	2.4	C002_0125 EZ303U	72	91	12.57	377/30	4000	4000	6000	0.56	16	1.6	8.6
239	34	37	2.9	1.8	C002_0125 EZ401U	72	120	12.57	377/30	4000	4000	6000	1.1	16	1.6	10
260	10	11	0.9	3.0	C002_0115 EZ301U	31	39	11.54	3185/276	3700	3600	6000	0.39	16	1.6	7.5
260	18	19	1.6	3.3	C002_0115 EZ302U	56	84	11.54	3185/276	3700	3600	6000	0.49	16	1.6	8.1
260	23	25	2.1	2.5	C002_0115 EZ303U	65	84	11.54	3185/276	3700	3600	6000	0.60	16	1.6	8.6
260	31	34	2.9	1.9	C002_0115 EZ401U	65	120	11.54	3185/276	3700	3600	6000	1.1	16	1.6	10
291	9.3	9.5	0.9	3.0	C002_0105 EZ301U	28	35	10.30	1421/138	3700	3600	6000	0.39	16	1.6	7.5
291	16	17	1.6	3.5	C002_0105 EZ302U	50	75	10.30	1421/138	3700	3600	6000	0.49	16	1.6	8.1
291	21	22	2.1	2.7	C002_0105 EZ303U	60	75	10.30	1421/138	3700	3600	6000	0.60	16	1.6	8.6
291	28	30	2.8	2.0	C002_0105 EZ401U	72	120	10.30	1421/138	3700	3600	6000	1.1	16	1.6	10
291	43	47	4.3	1.3	C002_0105 EZ501U	72	120	10.30	1421/138	3700	3600	6000	3.1	16	1.6	11
291	47	52	4.7	1.2	C002_0105 EZ402U	72	120	10.30	1421/138	3700	3600	6000	1.8	16	1.6	11
325	8.3	8.5	0.9	3.0	C002_0092 EZ301U	25	31	9.228	1495/162	3700	3600	6000	0.46	16	1.6	7.5
325	14	15	1.6	3.8	C002_0092 EZ302U	45	67	9.228	1495/162	3700	3600	6000	0.56	16	1.6	8.1
325	19	20	2.0	2.9	C002_0092 EZ303U	54	67	9.228	1495/162	3700	3600	6000	0.67	16	1.6	8.6
325	25	27	2.7	2.2	C002_0092 EZ401U	65	120	9.228	1495/162	3700	3600	6000	1.2	16	1.6	10
325	38	42	4.2	1.4	C002_0092 EZ501U	65	120	9.228	1495/162	3700	3600	6000	3.2	16	1.6	11
325	42	47	4.6	1.3	C002_0092 EZ402U	65	120	9.228	1495/162	3700	3600	6000	1.9	16	1.6	11
364	7.4	7.6	0.9	3.0	C002_0082 EZ301U	22	28	8.235	667/81	3700	3600	6000	0.46	16	1.6	7.5
364	13	13	1.5	3.8	C002_0082 EZ302U	40	60	8.235	667/81	3700	3600	6000	0.56	16	1.6	8.1
364	17	17	2.0	2.9	C002_0082 EZ303U	48	60	8.235	667/81	3700	3600	6000	0.67	16	1.6	8.6
364	22	24	2.7	2.3	C002_0082 EZ401U	68	120	8.235	667/81	3700	3600	6000	1.2	16	1.6	10
364	34	38	4.1	1.5	C002_0082 EZ501U	72	120	8.235	667/81	3700	3600	6000	3.2	16	1.6	11
364	38	42	4.5	1.4	C002_0082 EZ402U	72	120	8.235	667/81	3700	3600	6000	1.9	16	1.6	11
389	7.0	7.1	1.0	2.9	C002_0077 EZ301U	20	25	7.714	54/7	4000	4000	6000	0.28	20	1.3	7.5
389	12	13	1.8	3.5	C002_0077 EZ302U	37	53	7.714	54/7	4000	4000	6000	0.38	20	1.3	8.1
389	15	16	2.3	2.7	C002_0077 EZ303U	42	53	7.714	54/7	4000	4000	6000	0.49	20	1.3	8.6
389	21	22	3.1	2.1	C002_0077 EZ401U	64	99	7.714	54/7	4000	4000	6000	1.0	20	1.3	10
389	32	35	4.8	1.3	C002_0077 EZ501U	65	99	7.714	54/7	4000	4000	6000	3.0	20	1.3	11

C



# 11 C helical geared motors

## 11.2 Selection tables



$n_{2N}$	$M_{2N}$	$M_{2,0}$	$a_{th}$	S	Type	$M_{Zacc}$	$M_{2NOT}$	i	$i_{exakt}$	$n_{1max}$ DBH	$n_{1max}$ DBV	$n_{1max}$ ZB	$J_1$	$\Delta\varphi_2$	$C_2$	m
[rpm]	[Nm]	[Nm]				[Nm]	[Nm]			[rpm]	[rpm]	[rpm]	[10 <sup>-4</sup> kgm <sup>2</sup> ]	[arcmin]	[Nm/ arcmin]	[kg]
<b>C0 (<math>n_{1N} = 3000</math> rpm, <math>M_{Zacc,max} = 72</math> Nm)</b>																
389	35	39	5.3	1.2	C002_0077 EZ402U	65	99	7.714	54/7	4000	4000	6000	1.7	20	1.3	11
476	5.7	5.8	1.0	3.0	C002_0063 EZ301U	17	21	6.300	2035/323	4000	4000	6000	0.33	20	1.3	7.5
476	9.7	10	1.7	3.8	C002_0063 EZ302U	31	46	6.300	2035/323	4000	4000	6000	0.43	20	1.3	8.1
476	13	13	2.3	2.9	C002_0063 EZ303U	37	46	6.300	2035/323	4000	4000	6000	0.54	20	1.3	8.6
476	17	18	3.0	2.4	C002_0063 EZ401U	52	92	6.300	2035/323	4000	4000	6000	1.1	20	1.3	10
476	26	29	4.7	1.5	C002_0063 EZ501U	65	110	6.300	2035/323	4000	4000	6000	3.0	20	1.3	11
476	29	32	5.1	1.4	C002_0063 EZ402U	65	92	6.300	2035/323	4000	4000	6000	1.8	20	1.3	11
515	5.3	5.4	1.0	3.0	C002_0058 EZ301U	16	20	5.824	99/17	4000	4000	6000	0.33	20	1.3	7.5
515	9.0	9.5	1.7	3.8	C002_0058 EZ302U	28	42	5.824	99/17	4000	4000	6000	0.43	20	1.3	8.1
515	12	12	2.2	2.9	C002_0058 EZ303U	34	42	5.824	99/17	4000	4000	6000	0.54	20	1.3	8.6
515	16	17	3.0	2.5	C002_0058 EZ401U	48	85	5.824	99/17	4000	4000	6000	1.1	20	1.3	10
515	24	27	4.6	1.6	C002_0058 EZ501U	65	110	5.824	99/17	4000	4000	6000	3.0	20	1.3	11
515	27	29	5.0	1.5	C002_0058 EZ402U	65	85	5.824	99/17	4000	4000	6000	1.8	20	1.3	11
515	39	49	7.4	1.0	C002_0058 EZ404U	65	110	5.824	99/17	4000	4000	6000	3.1	20	1.3	13
593	4.6	4.7	1.0	3.0	C002_0051 EZ301U	14	17	5.063	481/95	4000	4000	6000	0.38	20	1.3	7.5
593	7.8	8.3	1.7	3.8	C002_0051 EZ302U	25	37	5.063	481/95	4000	4000	6000	0.48	20	1.3	8.1
593	10	11	2.2	2.9	C002_0051 EZ303U	29	37	5.063	481/95	4000	4000	6000	0.59	20	1.3	8.6
593	14	15	2.9	2.7	C002_0051 EZ401U	42	74	5.063	481/95	4000	4000	6000	1.1	20	1.3	10
593	21	23	4.5	1.8	C002_0051 EZ501U	65	110	5.063	481/95	4000	4000	6000	3.1	20	1.3	11
593	23	26	4.9	1.6	C002_0051 EZ402U	59	74	5.063	481/95	4000	4000	6000	1.8	20	1.3	11
593	34	42	7.2	1.1	C002_0051 EZ404U	65	110	5.063	481/95	4000	4000	6000	3.2	20	1.3	13
593	36	39	7.8	1.0	C002_0051 EZ502U	65	110	5.063	481/95	4000	4000	6000	5.4	20	1.3	13
593	36	41	7.8	1.0	C002_0051 EZ701U	65	110	5.063	481/95	4000	4000	6000	8.7	20	1.3	14
641	4.2	4.3	1.0	3.0	C002_0047 EZ301U	13	16	4.680	117/25	4000	4000	6000	0.39	20	1.3	7.5
641	7.2	7.6	1.6	3.8	C002_0047 EZ302U	23	34	4.680	117/25	4000	4000	6000	0.49	20	1.3	8.1
641	9.4	9.9	2.1	2.9	C002_0047 EZ303U	27	34	4.680	117/25	4000	4000	6000	0.60	20	1.3	8.6
641	13	14	2.9	2.9	C002_0047 EZ401U	39	68	4.680	117/25	4000	4000	6000	1.1	20	1.3	10
641	20	21	4.5	1.9	C002_0047 EZ501U	65	110	4.680	117/25	4000	4000	6000	3.1	20	1.3	11
641	21	24	4.9	1.7	C002_0047 EZ402U	54	68	4.680	117/25	4000	4000	6000	1.8	20	1.3	11
641	31	39	7.1	1.2	C002_0047 EZ404U	65	110	4.680	117/25	4000	4000	6000	3.2	20	1.3	13
641	34	36	7.7	1.1	C002_0047 EZ502U	65	110	4.680	117/25	4000	4000	6000	5.4	20	1.3	13
641	34	38	7.7	1.1	C002_0047 EZ701U	65	110	4.680	117/25	4000	4000	6000	8.7	20	1.3	14
723	3.7	3.8	0.9	3.0	C002_0041 EZ301U	11	14	4.149	1813/437	3700	3600	6000	0.45	20	1.3	7.5
723	6.4	6.8	1.6	3.8	C002_0041 EZ302U	20	30	4.149	1813/437	3700	3600	6000	0.55	20	1.3	8.1
723	8.3	8.8	2.1	2.9	C002_0041 EZ303U	24	30	4.149	1813/437	3700	3600	6000	0.66	20	1.3	8.6
723	11	12	2.8	3.1	C002_0041 EZ401U	34	60	4.149	1813/437	3700	3600	6000	1.2	20	1.3	10
723	17	19	4.4	2.0	C002_0041 EZ501U	64	110	4.149	1813/437	3700	3600	6000	3.2	20	1.3	11
723	19	21	4.8	1.9	C002_0041 EZ402U	48	60	4.149	1813/437	3700	3600	6000	1.9	20	1.3	11
723	28	35	7.0	1.3	C002_0041 EZ404U	65	110	4.149	1813/437	3700	3600	6000	3.2	20	1.3	13
723	30	32	7.5	1.2	C002_0041 EZ502U	65	110	4.149	1813/437	3700	3600	6000	5.5	20	1.3	13
723	30	33	7.5	1.2	C002_0041 EZ701U	65	110	4.149	1813/437	3700	3600	6000	8.8	20	1.3	14
782	3.5	3.5	0.9	3.0	C002_0038 EZ301U	10	13	3.835	441/115	3700	3600	6000	0.45	20	1.3	7.5
782	5.9	6.3	1.6	3.8	C002_0038 EZ302U	19	28	3.835	441/115	3700	3600	6000	0.55	20	1.3	8.1
782	7.7	8.1	2.1	2.9	C002_0038 EZ303U	22	28	3.835	441/115	3700	3600	6000	0.66	20	1.3	8.6
782	10	11	2.8	3.3	C002_0038 EZ401U	32	56	3.835	441/115	3700	3600	6000	1.2	20	1.3	10
782	16	17	4.3	2.1	C002_0038 EZ501U	60	110	3.835	441/115	3700	3600	6000	3.2	20	1.3	11
782	17	19	4.7	2.0	C002_0038 EZ402U	45	56	3.835	441/115	3700	3600	6000	1.9	20	1.3	11
782	26	32	6.9	1.3	C002_0038 EZ404U	65	110	3.835	441/115	3700	3600	6000	3.2	20	1.3	13
782	28	30	7.4	1.2	C002_0038 EZ502U	65	110	3.835	441/115	3700	3600	6000	5.5	20	1.3	13
782	28	31	7.4	1.2	C002_0038 EZ701U	65	110	3.835	441/115	3700	3600	6000	8.8	20	1.3	14
904	3.0	3.1	0.9	3.0	C002_0033 EZ301U	9.0	11	3.318	1702/513	3700	3600	6000	0.55	20	1.3	7.5
904	5.1	5.4	1.6	3.8	C002_0033 EZ302U	16	24	3.318	1702/513	3700	3600	6000	0.65	20	1.3	8.1
904	6.7	7.0	2.0	2.9	C002_0033 EZ303U	19	24	3.318	1702/513	3700	3600	6000	0.76	20	1.3	8.6
904	9.0	9.7	2.7	3.6	C002_0033 EZ401U	27	48	3.318	1702/513	3700	3600	6000	1.3	20	1.3	10
904	14	15	4.2	2.4	C002_0033 EZ501U	51	97	3.318	1702/513	3700	3600	6000	3.3	20	1.3	11
904	15	17	4.6	2.2	C002_0033 EZ402U	39	48	3.318	1702/513	3700	3600	6000	2.0	20	1.3	11
904	22	28	6.7	1.5	C002_0033 EZ404U	62	97	3.318	1702/513	3700	3600	6000	3.3	20	1.3	13
904	24	26	7.2	1.4	C002_0033 EZ502U	62	97	3.318	1702/513	3700	3600	6000	5.6	20	1.3	13
904	24	27	7.2	1.4	C002_0033 EZ701U	62	97	3.318	1702/513	3700	3600	6000	8.9	20	1.3	14



11 C helical geared motors  
11.2 Selection tables



$n_{2N}$	$M_{2N}$	$M_{2,0}$	$a_{in}$	S	Type	$M_{2acc}$	$M_{2NOT}$	i	$i_{exakt}$	$n_{1max}$	$n_{1max}$	$n_{1max}$	$J_1$	$\Delta\varphi_2$	$C_2$	m
[rpm]	[Nm]	[Nm]				[Nm]	[Nm]			DBH	DBV	ZB	[ $10^{-4}$ kgm <sup>2</sup> ]	[arcmin]	[Nm/arcmin]	[kg]
<b>C0 (<math>n_{1N} = 3000</math> rpm, <math>M_{2acc,max} = 72</math> Nm)</b>																
904	31	36	9.5	1.0	C002_0033 EZ503U	62	97	3.318	1702/513	3700	3600	6000	7.9	20	1.3	14
978	2.8	2.8	0.9	3.0	C002_0031 EZ301U	8.3	10	3.067	46/15	3700	3600	6000	0.56	20	1.3	7.5
978	4.7	5.0	1.5	3.8	C002_0031 EZ302U	15	22	3.067	46/15	3700	3600	6000	0.66	20	1.3	8.1
978	6.2	6.5	2.0	2.9	C002_0031 EZ303U	18	22	3.067	46/15	3700	3600	6000	0.77	20	1.3	8.6
978	8.3	8.9	2.7	3.8	C002_0031 EZ401U	25	45	3.067	46/15	3700	3600	6000	1.3	20	1.3	10
978	13	14	4.1	2.5	C002_0031 EZ501U	48	89	3.067	46/15	3700	3600	6000	3.3	20	1.3	11
978	14	15	4.5	2.3	C002_0031 EZ402U	36	45	3.067	46/15	3700	3600	6000	2.0	20	1.3	11
978	21	26	6.7	1.5	C002_0031 EZ404U	60	89	3.067	46/15	3700	3600	6000	3.3	20	1.3	13
978	22	24	7.1	1.4	C002_0031 EZ502U	60	89	3.067	46/15	3700	3600	6000	5.6	20	1.3	13
978	22	25	7.1	1.4	C002_0031 EZ701U	60	89	3.067	46/15	3700	3600	6000	8.9	20	1.3	14
978	29	33	9.4	1.1	C002_0031 EZ503U	60	89	3.067	46/15	3700	3600	6000	7.9	20	1.3	14
1083	4.3	4.5	1.5	3.8	C002_0028 EZ302U	13	20	2.769	36/13	3500	3000	6000	0.72	20	1.3	8.1
1083	5.6	5.9	2.0	2.9	C002_0028 EZ303U	16	20	2.769	36/13	3500	3000	6000	0.83	20	1.3	8.6
1083	7.5	8.1	2.7	4.1	C002_0028 EZ401U	23	40	2.769	36/13	3500	3000	6000	1.4	20	1.3	10
1083	12	13	4.1	2.7	C002_0028 EZ501U	43	81	2.769	36/13	3500	3000	6000	3.3	20	1.3	11
1083	13	14	4.5	2.4	C002_0028 EZ402U	32	40	2.769	36/13	3500	3000	6000	2.1	20	1.3	11
1083	19	23	6.5	1.7	C002_0028 EZ404U	58	81	2.769	36/13	3500	3000	6000	3.4	20	1.3	13
1083	20	21	7.0	1.5	C002_0028 EZ502U	58	81	2.769	36/13	3500	3000	6000	5.6	20	1.3	13
1083	20	22	7.0	1.5	C002_0028 EZ701U	54	81	2.769	36/13	3500	3000	6000	8.9	20	1.3	14
1083	26	30	9.2	1.2	C002_0028 EZ503U	58	81	2.769	36/13	3500	3000	6000	8.0	20	1.3	14
1502	3.1	3.3	1.4	3.8	C002_0020 EZ302U	9.7	15	1.997	1480/741	3500	3000	6000	1.0	20	1.3	8.1
1502	4.0	4.2	1.9	2.9	C002_0020 EZ303U	12	15	1.997	1480/741	3500	3000	6000	1.1	20	1.3	8.6
1502	5.4	5.8	2.5	4.3	C002_0020 EZ401U	16	29	1.997	1480/741	3500	3000	6000	1.7	20	1.3	10
1502	8.3	9.1	3.9	3.3	C002_0020 EZ501U	31	58	1.997	1480/741	3500	3000	6000	3.6	20	1.3	11
1502	9.1	10	4.2	2.6	C002_0020 EZ402U	23	29	1.997	1480/741	3500	3000	6000	2.4	20	1.3	11
1502	13	17	6.2	2.1	C002_0020 EZ404U	46	58	1.997	1480/741	3500	3000	6000	3.7	20	1.3	13
1502	14	15	6.6	1.9	C002_0020 EZ502U	46	58	1.997	1480/741	3500	3000	6000	5.9	20	1.3	13
1502	14	16	6.6	1.9	C002_0020 EZ701U	39	58	1.997	1480/741	3500	3000	6000	9.2	20	1.3	14
1502	19	22	8.7	1.5	C002_0020 EZ503U	46	58	1.997	1480/741	3500	3000	6000	8.3	20	1.3	14
<b>C0 (<math>n_{1N} = 6000</math> rpm, <math>M_{2acc,max} = 72</math> Nm)</b>																
120	43	46	1.8	1.4	C002_0500 EZ301U	72	96	49.94	899/18	4000	4000	6000	0.21	16	1.6	7.5
128	40	43	1.8	1.5	C002_0470 EZ301U	65	120	46.82	7865/168	4000	4000	6000	0.21	16	1.6	7.5
144	36	38	1.7	1.7	C002_0420 EZ301U	72	120	41.77	3509/84	4000	4000	6000	0.21	16	1.6	7.5
171	30	32	1.5	2.0	C002_0350 EZ301U	65	120	35.03	1261/36	4000	4000	6000	0.23	16	1.6	7.5
192	27	29	1.4	2.2	C002_0310 EZ301U	72	120	31.26	2813/90	4000	4000	6000	0.23	16	1.6	7.5
192	45	51	2.4	1.3	C002_0310 EZ302U	72	120	31.26	2813/90	4000	4000	6000	0.33	16	1.6	8.1
214	24	26	1.4	2.5	C002_0280 EZ301U	65	120	27.99	2015/72	4000	4000	6000	0.25	16	1.6	7.5
214	41	46	2.3	1.5	C002_0280 EZ302U	65	120	27.99	2015/72	4000	4000	6000	0.35	16	1.6	8.1
240	22	23	1.3	2.8	C002_0250 EZ301U	68	120	24.97	899/36	4000	4000	6000	0.25	16	1.6	7.5
240	36	41	2.2	1.6	C002_0250 EZ302U	72	120	24.97	899/36	4000	4000	6000	0.35	16	1.6	8.1
240	47	55	2.9	1.3	C002_0250 EZ303U	72	120	24.97	899/36	4000	4000	6000	0.46	16	1.6	8.6
258	20	21	1.3	2.9	C002_0230 EZ301U	63	120	23.21	325/14	4000	4000	6000	0.27	16	1.6	7.5
258	34	38	2.2	1.7	C002_0230 EZ302U	65	120	23.21	325/14	4000	4000	6000	0.37	16	1.6	8.1
290	18	19	1.3	3.1	C002_0210 EZ301U	56	120	20.71	145/7	4000	4000	6000	0.27	16	1.6	7.5
290	30	34	2.1	1.9	C002_0210 EZ302U	72	120	20.71	145/7	4000	4000	6000	0.37	16	1.6	8.1
290	39	45	2.8	1.4	C002_0210 EZ303U	72	120	20.71	145/7	4000	4000	6000	0.48	16	1.6	8.6
342	15	16	1.2	3.5	C002_0175 EZ301U	48	120	17.53	3575/204	4000	4000	6000	0.31	16	1.6	7.5
342	25	29	2.1	2.1	C002_0175 EZ302U	65	120	17.53	3575/204	4000	4000	6000	0.41	16	1.6	8.1
342	33	38	2.7	1.6	C002_0175 EZ303U	65	120	17.53	3575/204	4000	4000	6000	0.52	16	1.6	8.6
342	39	48	3.2	1.4	C002_0175 EZ401U	65	120	17.53	3575/204	4000	4000	6000	1.0	16	1.6	10
384	13	14	1.2	3.8	C002_0155 EZ301U	42	110	15.64	1595/102	4000	4000	6000	0.31	16	1.6	7.5
384	23	25	2.0	2.3	C002_0155 EZ302U	72	110	15.64	1595/102	4000	4000	6000	0.41	16	1.6	8.1
384	30	34	2.6	1.7	C002_0155 EZ303U	72	110	15.64	1595/102	4000	4000	6000	0.52	16	1.6	8.6
384	35	42	3.1	1.5	C002_0155 EZ401U	72	120	15.64	1595/102	4000	4000	6000	1.0	16	1.6	10
426	12	13	1.2	4.1	C002_0140 EZ301U	38	100	14.08	169/12	4000	4000	6000	0.35	16	1.6	7.5
426	20	23	2.0	2.4	C002_0140 EZ302U	65	100	14.08	169/12	4000	4000	6000	0.45	16	1.6	8.1
426	27	31	2.6	1.8	C002_0140 EZ303U	65	100	14.08	169/12	4000	4000	6000	0.56	16	1.6	8.6
426	31	38	3.1	1.6	C002_0140 EZ401U	65	120	14.08	169/12	4000	4000	6000	1.1	16	1.6	10
477	11	12	1.2	4.4	C002_0125 EZ301U	34	91	12.57	377/30	4000	4000	6000	0.35	16	1.6	7.5

C



# 11 C helical geared motors

## 11.2 Selection tables



$n_{2N}$	$M_{2N}$	$M_{2,0}$	$a_{th}$	S	Type	$M_{Zacc}$	$M_{2NOT}$	i	$i_{exakt}$	$n_{1max}$ DBH	$n_{1max}$ DBV	$n_{1max}$ ZB	$J_1$	$\Delta\varphi_2$	$C_2$	m
[rpm]	[Nm]	[Nm]				[Nm]	[Nm]			[rpm]	[rpm]	[rpm]	[10 <sup>-4</sup> kgm <sup>2</sup> ]	[arcmin]	[Nm/ arcmin]	[kg]
<b>C0 (<math>n_{1N} = 6000</math> rpm, <math>M_{Zacc,max} = 72</math> Nm)</b>																
477	18	20	2.0	2.6	C002_0125 EZ302U	61	91	12.57	377/30	4000	4000	6000	0.45	16	1.6	8.1
477	24	27	2.5	2.0	C002_0125 EZ303U	72	91	12.57	377/30	4000	4000	6000	0.56	16	1.6	8.6
477	28	34	3.0	1.7	C002_0125 EZ401U	72	120	12.57	377/30	4000	4000	6000	1.1	16	1.6	10
477	41	54	4.4	1.1	C002_0125 EZ501U	72	120	12.57	377/30	4000	4000	6000	3.1	16	1.6	11
520	10	11	1.1	4.6	C002_0115 EZ301U	31	84	11.54	3185/276	3700	3600	6000	0.39	16	1.6	7.5
520	17	19	1.9	2.8	C002_0115 EZ302U	56	84	11.54	3185/276	3700	3600	6000	0.49	16	1.6	8.1
520	22	25	2.5	2.1	C002_0115 EZ303U	65	84	11.54	3185/276	3700	3600	6000	0.60	16	1.6	8.6
520	26	31	2.9	1.8	C002_0115 EZ401U	65	120	11.54	3185/276	3700	3600	6000	1.1	16	1.6	10
520	38	49	4.4	1.2	C002_0115 EZ501U	65	120	11.54	3185/276	3700	3600	6000	3.1	16	1.6	11
583	8.9	9.5	1.1	3.1	C002_0105 EZ301U	28	35	10.30	1421/138	3700	3600	6000	0.39	16	1.6	7.5
583	15	17	1.9	3.0	C002_0105 EZ302U	50	75	10.30	1421/138	3700	3600	6000	0.49	16	1.6	8.1
583	20	22	2.5	2.3	C002_0105 EZ303U	60	75	10.30	1421/138	3700	3600	6000	0.60	16	1.6	8.6
583	23	28	2.9	1.9	C002_0105 EZ401U	72	120	10.30	1421/138	3700	3600	6000	1.1	16	1.6	10
583	34	44	4.3	1.3	C002_0105 EZ501U	72	120	10.30	1421/138	3700	3600	6000	3.1	16	1.6	11
583	35	49	4.4	1.3	C002_0105 EZ402U	72	120	10.30	1421/138	3700	3600	6000	1.8	16	1.6	11
650	8.0	8.5	1.1	3.1	C002_0092 EZ301U	25	31	9.228	1495/162	3700	3600	6000	0.46	16	1.6	7.5
650	13	15	1.9	3.2	C002_0092 EZ302U	45	67	9.228	1495/162	3700	3600	6000	0.56	16	1.6	8.1
650	18	20	2.4	2.4	C002_0092 EZ303U	54	67	9.228	1495/162	3700	3600	6000	0.67	16	1.6	8.6
650	21	25	2.8	2.1	C002_0092 EZ401U	65	120	9.228	1495/162	3700	3600	6000	1.2	16	1.6	10
650	30	39	4.2	1.4	C002_0092 EZ501U	65	120	9.228	1495/162	3700	3600	6000	3.2	16	1.6	11
650	31	44	4.3	1.4	C002_0092 EZ402U	65	120	9.228	1495/162	3700	3600	6000	1.9	16	1.6	11
729	7.1	7.6	1.1	3.1	C002_0082 EZ301U	22	28	8.235	667/81	3700	3600	6000	0.46	16	1.6	7.5
729	12	13	1.8	3.5	C002_0082 EZ302U	40	60	8.235	667/81	3700	3600	6000	0.56	16	1.6	8.1
729	16	18	2.4	2.6	C002_0082 EZ303U	48	60	8.235	667/81	3700	3600	6000	0.67	16	1.6	8.6
729	18	22	2.8	2.3	C002_0082 EZ401U	68	120	8.235	667/81	3700	3600	6000	1.2	16	1.6	10
729	27	35	4.1	1.5	C002_0082 EZ501U	72	120	8.235	667/81	3700	3600	6000	3.2	16	1.6	11
729	28	39	4.2	1.5	C002_0082 EZ402U	72	120	8.235	667/81	3700	3600	6000	1.9	16	1.6	11
778	6.7	7.1	1.3	3.0	C002_0077 EZ301U	20	25	7.714	54/7	4000	4000	6000	0.28	20	1.3	7.5
778	11	13	2.1	3.1	C002_0077 EZ302U	37	53	7.714	54/7	4000	4000	6000	0.38	20	1.3	8.1
778	15	17	2.8	2.3	C002_0077 EZ303U	42	53	7.714	54/7	4000	4000	6000	0.49	20	1.3	8.6
778	17	21	3.3	2.0	C002_0077 EZ401U	64	99	7.714	54/7	4000	4000	6000	1.0	20	1.3	10
778	25	33	4.8	1.3	C002_0077 EZ501U	65	99	7.714	54/7	4000	4000	6000	3.0	20	1.3	11
778	26	37	5.0	1.3	C002_0077 EZ402U	65	99	7.714	54/7	4000	4000	6000	1.7	20	1.3	11
952	5.4	5.8	1.2	3.1	C002_0063 EZ301U	17	21	6.300	2035/323	4000	4000	6000	0.33	20	1.3	7.5
952	9.2	10	2.1	3.5	C002_0063 EZ302U	31	46	6.300	2035/323	4000	4000	6000	0.43	20	1.3	8.1
952	12	14	2.7	2.7	C002_0063 EZ303U	37	46	6.300	2035/323	4000	4000	6000	0.54	20	1.3	8.6
952	14	17	3.2	2.3	C002_0063 EZ401U	52	92	6.300	2035/323	4000	4000	6000	1.1	20	1.3	10
952	21	27	4.7	1.5	C002_0063 EZ501U	65	110	6.300	2035/323	4000	4000	6000	3.0	20	1.3	11
952	21	30	4.8	1.5	C002_0063 EZ402U	65	92	6.300	2035/323	4000	4000	6000	1.8	20	1.3	11
952	32	48	7.1	1.0	C002_0063 EZ502U	65	110	6.300	2035/323	4000	4000	6000	5.3	20	1.3	13
952	32	48	7.1	1.0	C002_0063 EZ701U	65	110	6.300	2035/323	4000	4000	6000	8.6	20	1.3	14
1030	5.0	5.4	1.2	3.1	C002_0058 EZ301U	16	20	5.824	99/17	4000	4000	6000	0.33	20	1.3	7.5
1030	8.5	9.5	2.0	3.7	C002_0058 EZ302U	28	42	5.824	99/17	4000	4000	6000	0.43	20	1.3	8.1
1030	11	13	2.7	2.8	C002_0058 EZ303U	34	42	5.824	99/17	4000	4000	6000	0.54	20	1.3	8.6
1030	13	16	3.1	2.4	C002_0058 EZ401U	48	85	5.824	99/17	4000	4000	6000	1.1	20	1.3	10
1030	19	25	4.6	1.6	C002_0058 EZ501U	65	110	5.824	99/17	4000	4000	6000	3.0	20	1.3	11
1030	20	28	4.7	1.6	C002_0058 EZ402U	65	85	5.824	99/17	4000	4000	6000	1.8	20	1.3	11
1030	29	44	7.0	1.1	C002_0058 EZ502U	65	110	5.824	99/17	4000	4000	6000	5.3	20	1.3	13
1030	29	45	7.0	1.1	C002_0058 EZ701U	65	110	5.824	99/17	4000	4000	6000	8.6	20	1.3	14
1185	4.4	4.7	1.2	3.1	C002_0051 EZ301U	14	17	5.063	481/95	4000	4000	6000	0.38	20	1.3	7.5
1185	7.4	8.3	2.0	4.0	C002_0051 EZ302U	25	37	5.063	481/95	4000	4000	6000	0.48	20	1.3	8.1
1185	9.6	11	2.6	3.1	C002_0051 EZ303U	29	37	5.063	481/95	4000	4000	6000	0.59	20	1.3	8.6
1185	11	14	3.0	2.6	C002_0051 EZ401U	42	74	5.063	481/95	4000	4000	6000	1.1	20	1.3	10
1185	17	22	4.5	1.8	C002_0051 EZ501U	65	110	5.063	481/95	4000	4000	6000	3.1	20	1.3	11
1185	17	24	4.6	1.7	C002_0051 EZ402U	59	74	5.063	481/95	4000	4000	6000	1.8	20	1.3	11
1185	26	38	6.9	1.2	C002_0051 EZ502U	65	110	5.063	481/95	4000	4000	6000	5.4	20	1.3	13
1185	26	39	6.9	1.2	C002_0051 EZ701U	65	110	5.063	481/95	4000	4000	6000	8.7	20	1.3	14
1185	28	41	7.7	1.0	C002_0051 EZ404U	65	110	5.063	481/95	4000	4000	6000	3.2	20	1.3	13
1282	4.0	4.3	1.2	3.1	C002_0047 EZ301U	13	16	4.680	117/25	4000	4000	6000	0.39	20	1.3	7.5



11 C helical geared motors  
11.2 Selection tables



$n_{2N}$	$M_{2N}$	$M_{2,0}$	$a_{in}$	S	Type	$M_{2acc}$	$M_{2NOT}$	i	$i_{exakt}$	$n_{1max}$	$n_{1max}$	$n_{1max}$	$J_1$	$\Delta\varphi_2$	$C_2$	m
[rpm]	[Nm]	[Nm]				[Nm]	[Nm]			DBH	DBV	ZB	[10 <sup>-4</sup> kgm <sup>2</sup> ]	[arcmin]	[Nm/arcmin]	[kg]
<b>C0 (<math>n_{1N} = 6000</math> rpm, <math>M_{2acc,max} = 72</math> Nm)</b>																
1282	6.8	7.6	2.0	4.0	C002_0047 EZ302U	23	34	4.680	117/25	4000	4000	6000	0.49	20	1.3	8.1
1282	8.9	10	2.6	3.1	C002_0047 EZ303U	27	34	4.680	117/25	4000	4000	6000	0.60	20	1.3	8.6
1282	10	13	3.0	2.8	C002_0047 EZ401U	39	68	4.680	117/25	4000	4000	6000	1.1	20	1.3	10
1282	15	20	4.4	1.9	C002_0047 EZ501U	65	110	4.680	117/25	4000	4000	6000	3.1	20	1.3	11
1282	16	22	4.6	1.8	C002_0047 EZ402U	54	68	4.680	117/25	4000	4000	6000	1.8	20	1.3	11
1282	24	35	6.8	1.2	C002_0047 EZ502U	65	110	4.680	117/25	4000	4000	6000	5.4	20	1.3	13
1282	24	36	6.8	1.2	C002_0047 EZ701U	65	110	4.680	117/25	4000	4000	6000	8.7	20	1.3	14
1282	26	38	7.6	1.1	C002_0047 EZ404U	65	110	4.680	117/25	4000	4000	6000	3.2	20	1.3	13
1282	28	48	8.1	1.0	C002_0047 EZ503U	65	110	4.680	117/25	4000	4000	6000	7.8	20	1.3	14
1446	3.6	3.8	1.1	3.1	C002_0041 EZ301U	11	14	4.149	1813/437	3700	3600	6000	0.45	20	1.3	7.5
1446	6.0	6.8	1.9	4.0	C002_0041 EZ302U	20	30	4.149	1813/437	3700	3600	6000	0.55	20	1.3	8.1
1446	7.9	9.1	2.5	3.1	C002_0041 EZ303U	24	30	4.149	1813/437	3700	3600	6000	0.66	20	1.3	8.6
1446	9.3	11	2.9	3.0	C002_0041 EZ401U	34	60	4.149	1813/437	3700	3600	6000	1.2	20	1.3	10
1446	14	18	4.3	2.0	C002_0041 EZ501U	64	110	4.149	1813/437	3700	3600	6000	3.2	20	1.3	11
1446	14	20	4.5	2.0	C002_0041 EZ402U	48	60	4.149	1813/437	3700	3600	6000	1.9	20	1.3	11
1446	21	31	6.6	1.3	C002_0041 EZ502U	65	110	4.149	1813/437	3700	3600	6000	5.5	20	1.3	13
1446	21	32	6.6	1.3	C002_0041 EZ701U	65	110	4.149	1813/437	3700	3600	6000	8.8	20	1.3	14
1446	23	34	7.4	1.2	C002_0041 EZ404U	65	110	4.149	1813/437	3700	3600	6000	3.2	20	1.3	13
1446	25	43	7.9	1.1	C002_0041 EZ503U	65	110	4.149	1813/437	3700	3600	6000	7.8	20	1.3	14
1565	3.3	3.5	1.1	3.1	C002_0038 EZ301U	10	13	3.835	441/115	3700	3600	6000	0.45	20	1.3	7.5
1565	5.6	6.3	1.9	4.0	C002_0038 EZ302U	19	28	3.835	441/115	3700	3600	6000	0.55	20	1.3	8.1
1565	7.3	8.4	2.5	3.1	C002_0038 EZ303U	22	28	3.835	441/115	3700	3600	6000	0.66	20	1.3	8.6
1565	8.6	10	2.9	3.2	C002_0038 EZ401U	32	56	3.835	441/115	3700	3600	6000	1.2	20	1.3	10
1565	13	16	4.3	2.1	C002_0038 EZ501U	60	110	3.835	441/115	3700	3600	6000	3.2	20	1.3	11
1565	13	18	4.4	2.1	C002_0038 EZ402U	45	56	3.835	441/115	3700	3600	6000	1.9	20	1.3	11
1565	19	29	6.6	1.4	C002_0038 EZ502U	65	110	3.835	441/115	3700	3600	6000	5.5	20	1.3	13
1565	19	29	6.6	1.4	C002_0038 EZ701U	65	110	3.835	441/115	3700	3600	6000	8.8	20	1.3	14
1565	22	31	7.3	1.3	C002_0038 EZ404U	65	110	3.835	441/115	3700	3600	6000	3.2	20	1.3	13
1565	23	39	7.8	1.2	C002_0038 EZ503U	65	110	3.835	441/115	3700	3600	6000	7.8	20	1.3	14
1808	2.9	3.1	1.1	3.1	C002_0033 EZ301U	9.0	11	3.318	1702/513	3700	3600	6000	0.55	20	1.3	7.5
1808	4.8	5.4	1.8	4.0	C002_0033 EZ302U	16	24	3.318	1702/513	3700	3600	6000	0.65	20	1.3	8.1
1808	6.3	7.2	2.4	3.1	C002_0033 EZ303U	19	24	3.318	1702/513	3700	3600	6000	0.76	20	1.3	8.6
1808	7.4	9.0	2.8	3.5	C002_0033 EZ401U	27	48	3.318	1702/513	3700	3600	6000	1.3	20	1.3	10
1808	11	14	4.2	2.4	C002_0033 EZ501U	51	97	3.318	1702/513	3700	3600	6000	3.3	20	1.3	11
1808	11	16	4.3	2.3	C002_0033 EZ402U	39	48	3.318	1702/513	3700	3600	6000	2.0	20	1.3	11
1808	17	25	6.4	1.5	C002_0033 EZ502U	62	97	3.318	1702/513	3700	3600	6000	5.6	20	1.3	13
1808	17	25	6.4	1.5	C002_0033 EZ701U	62	97	3.318	1702/513	3700	3600	6000	8.9	20	1.3	14
1808	19	27	7.1	1.4	C002_0033 EZ404U	62	97	3.318	1702/513	3700	3600	6000	3.3	20	1.3	13
1808	20	34	7.6	1.3	C002_0033 EZ503U	62	97	3.318	1702/513	3700	3600	6000	7.9	20	1.3	14
1956	2.6	2.8	1.1	3.1	C002_0031 EZ301U	8.3	10	3.067	46/15	3700	3600	6000	0.56	20	1.3	7.5
1956	4.5	5.0	1.8	4.0	C002_0031 EZ302U	15	22	3.067	46/15	3700	3600	6000	0.66	20	1.3	8.1
1956	5.8	6.7	2.4	3.1	C002_0031 EZ303U	18	22	3.067	46/15	3700	3600	6000	0.77	20	1.3	8.6
1956	6.8	8.3	2.8	3.7	C002_0031 EZ401U	25	45	3.067	46/15	3700	3600	6000	1.3	20	1.3	10
1956	10	13	4.1	2.5	C002_0031 EZ501U	48	89	3.067	46/15	3700	3600	6000	3.3	20	1.3	11
1956	10	15	4.3	2.4	C002_0031 EZ402U	36	45	3.067	46/15	3700	3600	6000	2.0	20	1.3	11
1956	15	23	6.3	1.6	C002_0031 EZ502U	60	89	3.067	46/15	3700	3600	6000	5.6	20	1.3	13
1956	15	24	6.3	1.6	C002_0031 EZ701U	60	89	3.067	46/15	3700	3600	6000	8.9	20	1.3	14
1956	17	25	7.0	1.5	C002_0031 EZ404U	60	89	3.067	46/15	3700	3600	6000	3.3	20	1.3	13
1956	18	32	7.5	1.4	C002_0031 EZ503U	60	89	3.067	46/15	3700	3600	6000	7.9	20	1.3	14
2167	4.0	4.5	1.8	4.0	C002_0028 EZ302U	13	20	2.769	36/13	3500	3000	6000	0.72	20	1.3	8.1
2167	5.3	6.0	2.3	3.1	C002_0028 EZ303U	16	20	2.769	36/13	3500	3000	6000	0.83	20	1.3	8.6
2167	6.2	7.5	2.7	3.9	C002_0028 EZ401U	23	40	2.769	36/13	3500	3000	6000	1.4	20	1.3	10
2167	9.1	12	4.1	2.7	C002_0028 EZ501U	43	81	2.769	36/13	3500	3000	6000	3.3	20	1.3	11
2167	9.4	13	4.2	2.6	C002_0028 EZ402U	32	40	2.769	36/13	3500	3000	6000	2.1	20	1.3	11
2167	14	21	6.2	1.7	C002_0028 EZ502U	58	81	2.769	36/13	3500	3000	6000	5.6	20	1.3	13
2167	14	21	6.2	1.7	C002_0028 EZ701U	54	81	2.769	36/13	3500	3000	6000	8.9	20	1.3	14
2167	16	23	6.9	1.6	C002_0028 EZ404U	58	81	2.769	36/13	3500	3000	6000	3.4	20	1.3	13
2167	17	28	7.4	1.5	C002_0028 EZ503U	58	81	2.769	36/13	3500	3000	6000	8.0	20	1.3	14
3005	2.9	3.3	1.7	4.0	C002_0020 EZ302U	9.7	15	1.997	1480/741	3500	3000	6000	1.0	20	1.3	8.1

C



# 11 C helical geared motors

## 11.2 Selection tables



$n_{2N}$	$M_{2N}$	$M_{2,0}$	$a_{th}$	S	Type	$M_{Zacc}$	$M_{2NOT}$	i	$i_{exakt}$	$n_{1max}$ DBH	$n_{1max}$ DBV	$n_{1max}$ ZB	$J_1$	$\Delta\varphi_2$	$C_2$	m
[rpm]	[Nm]	[Nm]				[Nm]	[Nm]			[rpm]	[rpm]	[rpm]	[10 <sup>-4</sup> kgm <sup>2</sup> ]	[arcmin]	[Nm/ arcmin]	[kg]
<b>C0 (<math>n_{1N} = 6000</math> rpm, <math>M_{Zacc,max} = 72</math> Nm)</b>																
3005	3.8	4.4	2.2	3.1	C002_0020 EZ303U	12	15	1.997	1480/741	3500	3000	6000	1.1	20	1.3	8.6
3005	4.5	5.4	2.6	4.9	C002_0020 EZ401U	16	29	1.997	1480/741	3500	3000	6000	1.7	20	1.3	10
3005	6.6	8.5	3.8	3.3	C002_0020 EZ501U	31	58	1.997	1480/741	3500	3000	6000	3.6	20	1.3	11
3005	6.8	9.5	4.0	3.2	C002_0020 EZ402U	23	29	1.997	1480/741	3500	3000	6000	2.4	20	1.3	11
3005	10	15	5.9	2.2	C002_0020 EZ502U	46	58	1.997	1480/741	3500	3000	6000	5.9	20	1.3	13
3005	10	15	5.9	2.2	C002_0020 EZ701U	39	58	1.997	1480/741	3500	3000	6000	9.2	20	1.3	14
3005	11	16	6.6	1.9	C002_0020 EZ404U	46	58	1.997	1480/741	3500	3000	6000	3.7	20	1.3	13
3005	12	21	7.0	1.8	C002_0020 EZ503U	46	58	1.997	1480/741	3500	3000	6000	8.3	20	1.3	14
<b>C1 (<math>n_{1N} = 3000</math> rpm, <math>M_{Zacc,max} = 140</math> Nm)</b>																
27	99	101	1.6	1.2	C103_1110 EZ301U	140	240	111.1	1222/11	4000	3900	6000	0.25	15	3.9	15
33	82	84	1.4	1.5	C103_0920 EZ301U	140	240	92.13	16215/176	4000	3900	6000	0.25	15	3.9	15
37	73	74	1.3	1.7	C103_0820 EZ301U	140	240	81.64	31349/384	4000	3900	6000	0.25	15	3.9	15
43	64	65	1.3	1.9	C102_0700 EZ301U	140	240	70.46	775/11	4000	3900	6000	0.22	15	3.9	12
48	56	58	1.2	2.1	C102_0620 EZ301U	140	240	62.43	4495/72	4000	3900	6000	0.22	15	3.9	12
48	96	102	2.0	1.2	C102_0620 EZ302U	140	240	62.43	4495/72	4000	3900	6000	0.32	15	3.9	13
53	51	52	1.1	2.4	C102_0560 EZ301U	140	240	56.36	620/11	4000	3900	6000	0.24	15	3.9	12
53	87	92	1.9	1.4	C102_0560 EZ302U	140	240	56.36	620/11	4000	3900	6000	0.34	15	3.9	13
60	45	46	1.1	2.7	C102_0500 EZ301U	140	240	49.94	899/18	4000	3900	6000	0.24	15	3.9	12
60	77	81	1.8	1.6	C102_0500 EZ302U	140	240	49.94	899/18	4000	3900	6000	0.34	15	3.9	13
60	100	106	2.4	1.2	C102_0500 EZ303U	140	240	49.94	899/18	4000	3900	6000	0.45	15	3.9	14
64	42	43	1.0	2.8	C102_0470 EZ301U	130	240	46.91	516/11	4000	3900	6000	0.26	15	3.9	12
64	72	76	1.8	1.7	C102_0470 EZ302U	140	240	46.91	516/11	4000	3900	6000	0.36	15	3.9	13
64	94	100	2.3	1.3	C102_0470 EZ303U	140	240	46.91	516/11	4000	3900	6000	0.47	15	3.9	14
72	37	38	1.0	3.2	C102_0420 EZ301U	110	230	41.57	1247/30	4000	3900	6000	0.26	15	3.9	12
72	64	68	1.7	1.9	C102_0420 EZ302U	140	230	41.57	1247/30	4000	3900	6000	0.36	15	3.9	13
72	83	88	2.2	1.4	C102_0420 EZ303U	140	230	41.57	1247/30	4000	3900	6000	0.47	15	3.9	14
86	32	32	0.9	3.8	C102_0350 EZ301U	95	220	35.07	2700/77	4000	3900	6000	0.30	15	3.9	12
86	54	57	1.5	2.2	C102_0350 EZ302U	140	220	35.07	2700/77	4000	3900	6000	0.40	15	3.9	13
86	70	74	2.0	1.7	C102_0350 EZ303U	140	220	35.07	2700/77	4000	3900	6000	0.51	15	3.9	14
86	95	102	2.7	1.3	C102_0350 EZ401U	140	240	35.07	2700/77	4000	3900	6000	1.0	15	3.9	15
97	28	29	0.8	4.3	C102_0310 EZ301U	84	190	31.07	435/14	4000	3900	6000	0.30	15	3.9	12
97	48	51	1.4	2.5	C102_0310 EZ302U	140	190	31.07	435/14	4000	3900	6000	0.40	15	3.9	13
97	62	66	1.9	1.9	C102_0310 EZ303U	140	190	31.07	435/14	4000	3900	6000	0.51	15	3.9	14
97	84	90	2.5	1.4	C102_0310 EZ401U	140	240	31.07	435/14	4000	3900	6000	1.0	15	3.9	15
106	26	26	0.8	4.7	C102_0280 EZ301U	77	200	28.36	312/11	4000	3900	6000	0.34	15	3.9	12
106	44	46	1.4	2.7	C102_0280 EZ302U	140	200	28.36	312/11	4000	3900	6000	0.44	15	3.9	13
106	57	60	1.8	2.1	C102_0280 EZ303U	140	200	28.36	312/11	4000	3900	6000	0.55	15	3.9	14
106	77	83	2.4	1.6	C102_0280 EZ401U	140	240	28.36	312/11	4000	3900	6000	1.1	15	3.9	15
119	39	41	1.3	3.1	C102_0250 EZ302U	120	180	25.13	377/15	4000	3900	6000	0.44	15	3.9	13
119	50	53	1.7	2.4	C102_0250 EZ303U	140	180	25.13	377/15	4000	3900	6000	0.55	15	3.9	14
119	68	73	2.3	1.8	C102_0250 EZ401U	140	240	25.13	377/15	4000	3900	6000	1.1	15	3.9	15
128	36	38	1.2	3.3	C102_0240 EZ302U	110	170	23.52	1035/44	4000	3900	6000	0.49	15	3.9	13
128	47	50	1.6	2.5	C102_0240 EZ303U	140	170	23.52	1035/44	4000	3900	6000	0.60	15	3.9	14
128	64	68	2.2	1.9	C102_0240 EZ401U	140	240	23.52	1035/44	4000	3900	6000	1.1	15	3.9	15
144	32	34	1.2	3.7	C102_0210 EZ302U	100	150	20.84	667/32	4000	3900	6000	0.49	15	3.9	13
144	42	44	1.5	2.9	C102_0210 EZ303U	120	150	20.84	667/32	4000	3900	6000	0.60	15	3.9	14
144	57	61	2.1	2.1	C102_0210 EZ401U	140	240	20.84	667/32	4000	3900	6000	1.1	15	3.9	15
144	87	95	3.2	1.4	C102_0210 EZ501U	140	240	20.84	667/32	4000	3900	6000	3.1	15	3.9	16
144	95	105	3.5	1.3	C102_0210 EZ402U	140	240	20.84	667/32	4000	3900	6000	1.8	15	3.9	16
169	27	29	1.1	3.8	C102_0175 EZ302U	86	130	17.73	195/11	3800	3500	6000	0.59	15	3.9	13
169	36	38	1.4	2.9	C102_0175 EZ303U	100	130	17.73	195/11	3800	3500	6000	0.70	15	3.9	14
169	48	52	1.9	2.5	C102_0175 EZ401U	140	240	17.73	195/11	3800	3500	6000	1.2	15	3.9	15
169	74	81	2.9	1.6	C102_0175 EZ501U	140	240	17.73	195/11	3800	3500	6000	3.2	15	3.9	16
169	81	89	3.2	1.5	C102_0175 EZ402U	140	240	17.73	195/11	3800	3500	6000	1.9	15	3.9	16
191	24	26	1.0	3.8	C102_0155 EZ302U	76	110	15.71	377/24	3800	3500	6000	0.60	15	3.9	13
191	32	33	1.3	2.9	C102_0155 EZ303U	91	110	15.71	377/24	3800	3500	6000	0.71	15	3.9	14
191	43	46	1.8	2.8	C102_0155 EZ401U	130	230	15.71	377/24	3800	3500	6000	1.2	15	3.9	15
191	66	72	2.8	1.8	C102_0155 EZ501U	140	240	15.71	377/24	3800	3500	6000	3.2	15	3.9	16
191	72	79	3.0	1.7	C102_0155 EZ402U	140	230	15.71	377/24	3800	3500	6000	1.9	15	3.9	16





$n_{2N}$ [rpm]	$M_{2N}$ [Nm]	$M_{2,0}$ [Nm]	$a_{in}$	S	Type	$M_{2acc}$ [Nm]	$M_{2NOT}$ [Nm]	i	$i_{exakt}$	$n_{1max}$ DBH [rpm]	$n_{1max}$ DBV [rpm]	$n_{1max}$ ZB [rpm]	$J_1$ [10 <sup>-4</sup> kgm <sup>2</sup> ]	$\Delta\varphi_2$ [arcmin]	$C_2$ [Nm/ arcmin]	m [kg]
<b>C1 (<math>n_{1N} = 3000</math> rpm, <math>M_{2acc,max} = 140</math> Nm)</b>																
213	22	23	1.0	3.8	C102_0140 EZ302U	68	100	14.06	2010/143	3800	3500	6000	0.70	15	3.9	13
213	28	30	1.3	2.9	C102_0140 EZ303U	82	100	14.06	2010/143	3800	3500	6000	0.81	15	3.9	14
213	38	41	1.7	3.1	C102_0140 EZ401U	120	200	14.06	2010/143	3800	3500	6000	1.3	15	3.9	15
213	59	64	2.6	2.0	C102_0140 EZ501U	140	240	14.06	2010/143	3800	3500	6000	3.3	15	3.9	16
213	64	71	2.8	1.9	C102_0140 EZ402U	140	200	14.06	2010/143	3800	3500	6000	2.0	15	3.9	16
241	19	20	0.9	3.8	C102_0125 EZ302U	60	91	12.46	1943/156	3800	3500	6000	0.71	15	3.9	13
241	25	26	1.2	2.9	C102_0125 EZ303U	72	91	12.46	1943/156	3800	3500	6000	0.82	15	3.9	14
241	34	36	1.6	3.5	C102_0125 EZ401U	100	180	12.46	1943/156	3800	3500	6000	1.3	15	3.9	15
241	52	57	2.5	2.3	C102_0125 EZ501U	140	240	12.46	1943/156	3800	3500	6000	3.3	15	3.9	16
241	57	63	2.7	2.1	C102_0125 EZ402U	140	180	12.46	1943/156	3800	3500	6000	2.0	15	3.9	16
241	83	104	4.0	1.4	C102_0125 EZ404U	140	240	12.46	1943/156	3800	3500	6000	3.4	15	3.9	18
241	89	97	4.2	1.3	C102_0125 EZ502U	140	240	12.46	1943/156	3800	3500	6000	5.6	15	3.9	17
241	89	100	4.2	1.3	C102_0125 EZ701U	140	240	12.46	1943/156	3800	3500	6000	8.9	15	3.9	19
256	18	19	0.9	3.8	C102_0115 EZ302U	57	85	11.72	1160/99	3600	3100	6000	0.82	15	3.9	13
256	24	25	1.2	2.9	C102_0115 EZ303U	68	85	11.72	1160/99	3600	3100	6000	0.93	15	3.9	14
256	32	34	1.6	3.7	C102_0115 EZ401U	97	170	11.72	1160/99	3600	3100	6000	1.5	15	3.9	15
256	49	53	2.4	2.4	C102_0115 EZ501U	140	240	11.72	1160/99	3600	3100	6000	3.4	15	3.9	16
256	53	59	2.7	2.2	C102_0115 EZ402U	140	170	11.72	1160/99	3600	3100	6000	2.2	15	3.9	16
256	78	98	3.9	1.5	C102_0115 EZ404U	140	240	11.72	1160/99	3600	3100	6000	3.5	15	3.9	18
256	84	91	4.2	1.4	C102_0115 EZ502U	140	240	11.72	1160/99	3600	3100	6000	5.7	15	3.9	17
256	84	94	4.2	1.4	C102_0115 EZ701U	140	240	11.72	1160/99	3600	3100	6000	9.0	15	3.9	19
289	16	17	0.9	3.8	C102_0105 EZ302U	50	76	10.38	841/81	3600	3100	6000	0.83	15	3.9	13
289	21	22	1.2	2.9	C102_0105 EZ303U	60	76	10.38	841/81	3600	3100	6000	0.94	15	3.9	14
289	28	30	1.6	4.0	C102_0105 EZ401U	86	150	10.38	841/81	3600	3100	6000	1.5	15	3.9	15
289	43	47	2.4	2.6	C102_0105 EZ501U	140	240	10.38	841/81	3600	3100	6000	3.4	15	3.9	16
289	47	52	2.6	2.4	C102_0105 EZ402U	120	150	10.38	841/81	3600	3100	6000	2.2	15	3.9	16
289	69	87	3.8	1.6	C102_0105 EZ404U	140	240	10.38	841/81	3600	3100	6000	3.5	15	3.9	18
289	75	81	4.1	1.5	C102_0105 EZ502U	140	240	10.38	841/81	3600	3100	6000	5.7	15	3.9	17
289	75	84	4.1	1.5	C102_0105 EZ701U	140	240	10.38	841/81	3600	3100	6000	9.0	15	3.9	19
322	14	15	0.9	3.8	C102_0093 EZ302U	45	68	9.326	3180/341	3600	3100	6000	1.0	15	3.9	13
322	19	20	1.1	2.9	C102_0093 EZ303U	54	68	9.326	3180/341	3600	3100	6000	1.1	15	3.9	14
322	25	27	1.5	4.3	C102_0093 EZ401U	77	140	9.326	3180/341	3600	3100	6000	1.6	15	3.9	15
322	39	43	2.3	2.8	C102_0093 EZ501U	140	240	9.326	3180/341	3600	3100	6000	3.6	15	3.9	16
322	43	47	2.6	2.6	C102_0093 EZ402U	110	140	9.326	3180/341	3600	3100	6000	2.3	15	3.9	16
322	62	78	3.8	1.7	C102_0093 EZ404U	140	240	9.326	3180/341	3600	3100	6000	3.7	15	3.9	18
322	67	72	4.0	1.6	C102_0093 EZ502U	140	240	9.326	3180/341	3600	3100	6000	5.9	15	3.9	17
322	67	75	4.0	1.6	C102_0093 EZ701U	140	240	9.326	3180/341	3600	3100	6000	9.2	15	3.9	19
322	88	100	5.3	1.2	C102_0093 EZ503U	140	240	9.326	3180/341	3600	3100	6000	8.3	15	3.9	19
363	13	13	0.9	3.8	C102_0083 EZ302U	40	60	8.263	1537/186	3600	3100	6000	1.0	15	3.9	13
363	17	18	1.1	2.9	C102_0083 EZ303U	48	60	8.263	1537/186	3600	3100	6000	1.1	15	3.9	14
363	22	24	1.5	4.3	C102_0083 EZ401U	68	120	8.263	1537/186	3600	3100	6000	1.7	15	3.9	15
363	34	38	2.3	3.0	C102_0083 EZ501U	130	240	8.263	1537/186	3600	3100	6000	3.6	15	3.9	16
363	38	42	2.5	2.6	C102_0083 EZ402U	96	120	8.263	1537/186	3600	3100	6000	2.4	15	3.9	16
363	55	69	3.7	1.9	C102_0083 EZ404U	140	240	8.263	1537/186	3600	3100	6000	3.7	15	3.9	18
363	59	64	4.0	1.8	C102_0083 EZ502U	140	240	8.263	1537/186	3600	3100	6000	5.9	15	3.9	17
363	59	67	4.0	1.8	C102_0083 EZ701U	140	240	8.263	1537/186	3600	3100	6000	9.2	15	3.9	19
363	78	89	5.2	1.3	C102_0083 EZ503U	140	240	8.263	1537/186	3600	3100	6000	8.3	15	3.9	19
385	12	13	1.0	3.8	C102_0078 EZ302U	38	57	7.796	3243/416	4000	3900	6000	0.54	18	3.1	13
385	16	17	1.3	2.9	C102_0078 EZ303U	45	57	7.796	3243/416	4000	3900	6000	0.65	18	3.1	14
385	21	23	1.8	4.1	C102_0078 EZ401U	64	110	7.796	3243/416	4000	3900	6000	1.2	18	3.1	15
385	33	36	2.7	2.7	C102_0078 EZ501U	120	210	7.796	3243/416	4000	3900	6000	3.1	18	3.1	16
385	36	39	2.9	2.4	C102_0078 EZ402U	91	110	7.796	3243/416	4000	3900	6000	1.9	18	3.1	16
385	52	65	4.3	1.7	C102_0078 EZ404U	130	210	7.796	3243/416	4000	3900	6000	3.2	18	3.1	18
385	56	60	4.6	1.5	C102_0078 EZ502U	130	210	7.796	3243/416	4000	3900	6000	5.4	18	3.1	17
385	56	63	4.6	1.5	C102_0078 EZ701U	130	220	7.796	3243/416	4000	3900	6000	8.7	18	3.1	19
385	73	84	6.1	1.2	C102_0078 EZ503U	130	210	7.796	3243/416	4000	3900	6000	7.8	18	3.1	19
473	9.8	10	1.0	3.8	C102_0063 EZ302U	31	46	6.338	507/80	3800	3500	6000	0.67	18	3.1	13
473	13	13	1.3	2.9	C102_0063 EZ303U	37	46	6.338	507/80	3800	3500	6000	0.78	18	3.1	14
473	17	18	1.7	4.3	C102_0063 EZ401U	52	92	6.338	507/80	3800	3500	6000	1.3	18	3.1	15



# 11 C helical geared motors

## 11.2 Selection tables

$n_{2N}$ [rpm]	$M_{2N}$ [Nm]	$M_{2,0}$ [Nm]	$a_{th}$	S	Type	$M_{zacc}$ [Nm]	$M_{2NOT}$ [Nm]	i	$i_{exakt}$	$n_{1max}$ DBH [rpm]	$n_{1max}$ DBV [rpm]	$n_{1max}$ ZB [rpm]	$J_1$ [10 <sup>-4</sup> kgm <sup>2</sup> ]	$\Delta\varphi_2$ [arcmin]	$C_2$ [Nm/ arcmin]	m [kg]
<b>C1 (<math>n_{1N} = 3000\text{ rpm}, M_{zacc,max} = 140\text{ Nm}</math>)</b>																
473	26	29	2.6	3.1	C102_0063 EZ501U	98	180	6.338	507/80	3800	3500	6000	3.3	18	3.1	16
473	29	32	2.8	2.6	C102_0063 EZ402U	74	92	6.338	507/80	3800	3500	6000	2.0	18	3.1	16
473	42	53	4.2	1.9	C102_0063 EZ404U	130	180	6.338	507/80	3800	3500	6000	3.4	18	3.1	18
473	45	49	4.5	1.8	C102_0063 EZ502U	130	180	6.338	507/80	3800	3500	6000	5.6	18	3.1	17
473	45	51	4.5	1.8	C102_0063 EZ701U	120	220	6.338	507/80	3800	3500	6000	8.9	18	3.1	19
473	60	68	5.9	1.4	C102_0063 EZ503U	130	180	6.338	507/80	3800	3500	6000	8.0	18	3.1	19
473	74	89	7.3	1.1	C102_0063 EZ702U	130	220	6.338	507/80	3800	3500	6000	14	18	3.1	22
511	9.1	9.6	0.9	3.8	C102_0059 EZ302U	28	43	5.875	47/8	3800	3500	6000	0.67	18	3.1	13
511	12	12	1.2	2.9	C102_0059 EZ303U	34	43	5.875	47/8	3800	3500	6000	0.78	18	3.1	14
511	16	17	1.7	4.3	C102_0059 EZ401U	48	85	5.875	47/8	3800	3500	6000	1.3	18	3.1	15
511	25	27	2.6	3.2	C102_0059 EZ501U	91	170	5.875	47/8	3800	3500	6000	3.3	18	3.1	16
511	27	30	2.8	2.6	C102_0059 EZ402U	68	85	5.875	47/8	3800	3500	6000	2.0	18	3.1	16
511	39	49	4.1	2.0	C102_0059 EZ404U	130	170	5.875	47/8	3800	3500	6000	3.4	18	3.1	18
511	42	46	4.4	1.9	C102_0059 EZ502U	130	170	5.875	47/8	3800	3500	6000	5.6	18	3.1	17
511	42	47	4.4	1.9	C102_0059 EZ701U	110	220	5.875	47/8	3800	3500	6000	8.9	18	3.1	19
511	55	63	5.8	1.4	C102_0059 EZ503U	130	170	5.875	47/8	3800	3500	6000	8.0	18	3.1	19
511	68	82	7.2	1.2	C102_0059 EZ702U	130	220	5.875	47/8	3800	3500	6000	14	18	3.1	22
511	77	91	8.1	1.0	C102_0059 EZ505U	130	220	5.875	47/8	3800	3500	6000	13	18	3.1	22
597	7.8	8.2	0.9	3.8	C102_0050 EZ302U	24	37	5.025	201/40	3800	3500	6000	0.82	18	3.1	13
597	10	11	1.2	2.9	C102_0050 EZ303U	29	37	5.025	201/40	3800	3500	6000	0.93	18	3.1	14
597	14	15	1.6	4.3	C102_0050 EZ401U	41	73	5.025	201/40	3800	3500	6000	1.5	18	3.1	15
597	21	23	2.5	3.6	C102_0050 EZ501U	78	150	5.025	201/40	3800	3500	6000	3.4	18	3.1	16
597	23	25	2.7	2.6	C102_0050 EZ402U	58	73	5.025	201/40	3800	3500	6000	2.2	18	3.1	16
597	34	42	4.0	2.2	C102_0050 EZ404U	120	150	5.025	201/40	3800	3500	6000	3.5	18	3.1	18
597	36	39	4.3	2.1	C102_0050 EZ502U	120	150	5.025	201/40	3800	3500	6000	5.7	18	3.1	17
597	36	40	4.3	2.1	C102_0050 EZ701U	97	220	5.025	201/40	3800	3500	6000	9.0	18	3.1	19
597	47	54	5.6	1.6	C102_0050 EZ503U	120	150	5.025	201/40	3800	3500	6000	8.1	18	3.1	19
597	58	70	7.0	1.3	C102_0050 EZ702U	130	220	5.025	201/40	3800	3500	6000	14	18	3.1	22
597	66	78	7.9	1.1	C102_0050 EZ505U	130	220	5.025	201/40	3800	3500	6000	13	18	3.1	22
644	7.2	7.6	0.9	3.8	C102_0047 EZ302U	23	34	4.658	3149/676	3800	3500	6000	0.83	18	3.1	13
644	9.4	9.9	1.2	2.9	C102_0047 EZ303U	27	34	4.658	3149/676	3800	3500	6000	0.94	18	3.1	14
644	13	14	1.6	4.3	C102_0047 EZ401U	38	68	4.658	3149/676	3800	3500	6000	1.5	18	3.1	15
644	19	21	2.5	3.8	C102_0047 EZ501U	72	140	4.658	3149/676	3800	3500	6000	3.4	18	3.1	16
644	21	23	2.7	2.6	C102_0047 EZ402U	54	68	4.658	3149/676	3800	3500	6000	2.2	18	3.1	16
644	31	39	4.0	2.3	C102_0047 EZ404U	110	140	4.658	3149/676	3800	3500	6000	3.5	18	3.1	18
644	33	36	4.3	2.2	C102_0047 EZ502U	110	140	4.658	3149/676	3800	3500	6000	5.7	18	3.1	17
644	33	38	4.3	2.2	C102_0047 EZ701U	90	220	4.658	3149/676	3800	3500	6000	9.0	18	3.1	19
644	44	50	5.6	1.7	C102_0047 EZ503U	110	140	4.658	3149/676	3800	3500	6000	8.1	18	3.1	19
644	54	65	6.9	1.3	C102_0047 EZ702U	130	220	4.658	3149/676	3800	3500	6000	14	18	3.1	22
644	61	72	7.8	1.2	C102_0047 EZ505U	130	220	4.658	3149/676	3800	3500	6000	13	18	3.1	22
716	6.5	6.8	0.9	3.8	C102_0042 EZ302U	20	30	4.189	377/90	3600	3100	6000	0.99	18	3.1	13
716	8.4	8.9	1.2	2.9	C102_0042 EZ303U	24	30	4.189	377/90	3600	3100	6000	1.1	18	3.1	14
716	11	12	1.6	4.3	C102_0042 EZ401U	35	61	4.189	377/90	3600	3100	6000	1.6	18	3.1	15
716	17	19	2.4	4.0	C102_0042 EZ501U	65	120	4.189	377/90	3600	3100	6000	3.6	18	3.1	16
716	19	21	2.7	2.6	C102_0042 EZ402U	49	61	4.189	377/90	3600	3100	6000	2.3	18	3.1	16
716	28	35	3.9	2.5	C102_0042 EZ404U	98	120	4.189	377/90	3600	3100	6000	3.7	18	3.1	18
716	30	33	4.2	2.3	C102_0042 EZ502U	98	120	4.189	377/90	3600	3100	6000	5.9	18	3.1	17
716	30	34	4.2	2.3	C102_0042 EZ701U	81	220	4.189	377/90	3600	3100	6000	9.2	18	3.1	19
716	39	45	5.5	1.8	C102_0042 EZ503U	98	120	4.189	377/90	3600	3100	6000	8.3	18	3.1	19
716	49	59	6.8	1.4	C102_0042 EZ702U	130	220	4.189	377/90	3600	3100	6000	14	18	3.1	22
716	55	65	7.6	1.3	C102_0042 EZ505U	130	220	4.189	377/90	3600	3100	6000	13	18	3.1	22
716	67	85	9.3	1.1	C102_0042 EZ703U	130	220	4.189	377/90	3600	3100	6000	22	18	3.1	24
773	6.0	6.3	0.9	3.8	C102_0039 EZ302U	19	28	3.883	1363/351	3600	3100	6000	1.0	18	3.1	13
773	7.8	8.2	1.2	2.9	C102_0039 EZ303U	23	28	3.883	1363/351	3600	3100	6000	1.1	18	3.1	14
773	11	11	1.6	4.3	C102_0039 EZ401U	32	56	3.883	1363/351	3600	3100	6000	1.6	18	3.1	15
773	16	18	2.4	4.2	C102_0039 EZ501U	60	110	3.883	1363/351	3600	3100	6000	3.6	18	3.1	16
773	18	20	2.6	2.6	C102_0039 EZ402U	45	56	3.883	1363/351	3600	3100	6000	2.3	18	3.1	16
773	26	32	3.8	2.6	C102_0039 EZ404U	90	110	3.883	1363/351	3600	3100	6000	3.7	18	3.1	18
773	28	30	4.1	2.5	C102_0039 EZ502U	90	110	3.883	1363/351	3600	3100	6000	5.9	18	3.1	17



11 C helical geared motors  
11.2 Selection tables



$n_{2N}$	$M_{2N}$	$M_{2,0}$	$a_{in}$	S	Type	$M_{2acc}$	$M_{2NOT}$	i	$i_{exakt}$	$n_{1max}$ DBH	$n_{1max}$ DBV	$n_{1max}$ ZB	$J_1$ [10 <sup>-4</sup> kgm <sup>2</sup> ]	$\Delta\phi_2$ [arcmin]	$C_2$ [Nm/ arcmin]	m
[rpm]	[Nm]	[Nm]				[Nm]	[Nm]			[rpm]	[rpm]	[rpm]				[kg]
<b>C1 (n<sub>1N</sub> = 3000 rpm, M<sub>2acc,max</sub> = 140 Nm)</b>																
773	28	31	4.1	2.5	C102_0039 EZ701U	75	220	3.883	1363/351	3600	3100	6000	9.2	18	3.1	19
773	37	42	5.4	1.9	C102_0039 EZ503U	90	110	3.883	1363/351	3600	3100	6000	8.3	18	3.1	19
773	45	54	6.7	1.5	C102_0039 EZ702U	130	220	3.883	1363/351	3600	3100	6000	14	18	3.1	22
773	51	60	7.5	1.3	C102_0039 EZ505U	130	220	3.883	1363/351	3600	3100	6000	13	18	3.1	22
773	62	78	9.2	1.1	C102_0039 EZ703U	130	220	3.883	1363/351	3600	3100	6000	22	18	3.1	24
900	5.1	5.4	0.9	3.8	C102_0033 EZ302U	16	24	3.334	2067/620	3600	3100	6000	1.3	18	3.1	13
900	6.7	7.1	1.1	2.9	C102_0033 EZ303U	19	24	3.334	2067/620	3600	3100	6000	1.4	18	3.1	14
900	9.1	9.7	1.5	4.3	C102_0033 EZ401U	27	49	3.334	2067/620	3600	3100	6000	1.9	18	3.1	15
900	14	15	2.3	4.7	C102_0033 EZ501U	52	97	3.334	2067/620	3600	3100	6000	3.9	18	3.1	16
900	15	17	2.6	2.6	C102_0033 EZ402U	39	49	3.334	2067/620	3600	3100	6000	2.6	18	3.1	16
900	22	28	3.7	2.9	C102_0033 EZ404U	78	97	3.334	2067/620	3600	3100	6000	4.0	18	3.1	18
900	24	26	4.0	2.7	C102_0033 EZ502U	78	97	3.334	2067/620	3600	3100	6000	6.2	18	3.1	17
900	24	27	4.0	2.7	C102_0033 EZ701U	65	220	3.334	2067/620	3600	3100	6000	9.5	18	3.1	19
900	31	36	5.3	2.1	C102_0033 EZ503U	78	97	3.334	2067/620	3600	3100	6000	8.6	18	3.1	19
900	39	47	6.5	1.7	C102_0033 EZ702U	120	220	3.334	2067/620	3600	3100	6000	15	18	3.1	22
900	44	52	7.3	1.5	C102_0033 EZ505U	120	220	3.334	2067/620	3600	3100	6000	13	18	3.1	22
900	53	67	9.0	1.2	C102_0033 EZ703U	120	220	3.334	2067/620	3600	3100	6000	23	18	3.1	24
971	4.8	5.0	0.9	3.8	C102_0031 EZ302U	15	22	3.091	2491/806	3600	3100	6000	1.3	18	3.1	13
971	6.2	6.6	1.1	2.9	C102_0031 EZ303U	18	22	3.091	2491/806	3600	3100	6000	1.4	18	3.1	14
971	8.4	9.0	1.5	4.3	C102_0031 EZ401U	25	45	3.091	2491/806	3600	3100	6000	1.9	18	3.1	15
971	13	14	2.3	4.9	C102_0031 EZ501U	48	90	3.091	2491/806	3600	3100	6000	3.9	18	3.1	16
971	14	16	2.5	2.6	C102_0031 EZ402U	36	45	3.091	2491/806	3600	3100	6000	2.6	18	3.1	16
971	21	26	3.7	3.1	C102_0031 EZ404U	72	90	3.091	2491/806	3600	3100	6000	4.0	18	3.1	18
971	22	24	4.0	2.9	C102_0031 EZ502U	72	90	3.091	2491/806	3600	3100	6000	6.2	18	3.1	17
971	22	25	4.0	2.9	C102_0031 EZ701U	60	220	3.091	2491/806	3600	3100	6000	9.5	18	3.1	19
971	29	33	5.2	2.2	C102_0031 EZ503U	72	90	3.091	2491/806	3600	3100	6000	8.6	18	3.1	19
971	36	43	6.4	1.8	C102_0031 EZ702U	120	220	3.091	2491/806	3600	3100	6000	15	18	3.1	22
971	40	48	7.2	1.6	C102_0031 EZ505U	120	220	3.091	2491/806	3600	3100	6000	13	18	3.1	22
971	49	62	8.9	1.3	C102_0031 EZ703U	120	220	3.091	2491/806	3600	3100	6000	23	18	3.1	24
1162	17	22	3.6	3.5	C102_0026 EZ404U	60	75	2.582	1911/740	3100	2600	5000	4.4	18	3.1	18
1162	19	20	3.9	3.2	C102_0026 EZ502U	60	75	2.582	1911/740	3100	2600	5000	6.7	18	3.1	17
1162	19	21	3.9	3.2	C102_0026 EZ701U	50	190	2.582	1911/740	3100	2600	5000	10	18	3.1	19
1162	24	28	5.0	2.5	C102_0026 EZ503U	60	75	2.582	1911/740	3100	2600	5000	9.0	18	3.1	19
1162	30	36	6.2	2.0	C102_0026 EZ702U	100	190	2.582	1911/740	3100	2600	5000	15	18	3.1	22
1162	34	40	7.0	1.8	C102_0026 EZ505U	110	190	2.582	1911/740	3100	2600	5000	14	18	3.1	22
1162	41	52	8.6	1.4	C102_0026 EZ703U	110	190	2.582	1911/740	3100	2600	5000	23	18	3.1	24
1253	16	20	3.5	3.5	C102_0024 EZ404U	56	70	2.394	2303/962	3100	2600	5000	4.5	18	3.1	18
1253	17	19	3.8	3.2	C102_0024 EZ502U	56	70	2.394	2303/962	3100	2600	5000	6.7	18	3.1	17
1253	17	19	3.8	3.4	C102_0024 EZ701U	46	170	2.394	2303/962	3100	2600	5000	10	18	3.1	19
1253	23	26	5.0	2.5	C102_0024 EZ503U	56	70	2.394	2303/962	3100	2600	5000	9.1	18	3.1	19
1253	28	33	6.2	2.1	C102_0024 EZ702U	95	170	2.394	2303/962	3100	2600	5000	15	18	3.1	22
1253	31	37	6.9	1.9	C102_0024 EZ505U	110	170	2.394	2303/962	3100	2600	5000	14	18	3.1	22
1253	38	48	8.5	1.5	C102_0024 EZ703U	110	170	2.394	2303/962	3100	2600	5000	23	18	3.1	24
1378	5.9	6.3	1.4	4.3	C102_0022 EZ401U	18	32	2.177	468/215	3100	2600	5000	2.8	18	3.1	15
1378	9.1	9.9	2.2	2.8	C102_0022 EZ501U	25	32	2.177	468/215	3100	2600	5000	4.7	18	3.1	16
1378	9.9	11	2.4	2.6	C102_0022 EZ402U	25	32	2.177	468/215	3100	2600	5000	3.5	18	3.1	16
1378	15	18	3.5	3.5	C102_0022 EZ404U	51	63	2.177	468/215	3100	2600	5000	4.8	18	3.1	18
1378	16	17	3.7	3.2	C102_0022 EZ502U	51	63	2.177	468/215	3100	2600	5000	7.0	18	3.1	17
1378	16	18	3.7	3.6	C102_0022 EZ701U	42	160	2.177	468/215	3100	2600	5000	10	18	3.1	19
1378	20	23	4.9	2.5	C102_0022 EZ503U	51	63	2.177	468/215	3100	2600	5000	9.4	18	3.1	19
1378	25	30	6.1	2.2	C102_0022 EZ702U	87	160	2.177	468/215	3100	2600	5000	16	18	3.1	22
1378	29	34	6.8	2.0	C102_0022 EZ505U	110	160	2.177	468/215	3100	2600	5000	14	18	3.1	22
1378	35	44	8.3	1.6	C102_0022 EZ703U	110	160	2.177	468/215	3100	2600	5000	23	18	3.1	24
1487	5.5	5.9	1.4	4.3	C102_0020 EZ401U	17	29	2.018	1128/559	3100	2600	5000	2.8	18	3.1	15
1487	8.4	9.2	2.1	2.8	C102_0020 EZ501U	23	29	2.018	1128/559	3100	2600	5000	4.8	18	3.1	16
1487	9.2	10	2.3	2.6	C102_0020 EZ402U	23	29	2.018	1128/559	3100	2600	5000	3.5	18	3.1	16
1487	14	17	3.4	3.5	C102_0020 EZ404U	47	59	2.018	1128/559	3100	2600	5000	4.9	18	3.1	18
1487	14	16	3.7	3.2	C102_0020 EZ502U	47	59	2.018	1128/559	3100	2600	5000	7.1	18	3.1	17
1487	14	16	3.7	3.8	C102_0020 EZ701U	39	150	2.018	1128/559	3100	2600	5000	10	18	3.1	19

C



# 11 C helical geared motors

## 11.2 Selection tables

$n_{2N}$	$M_{2N}$	$M_{2,0}$	$a_{th}$	S	Type	$M_{Zacc}$	$M_{2NOT}$	i	$i_{exakt}$	$n_{1max}$ DBH	$n_{1max}$ DBV	$n_{1max}$ ZB	$J_1$ [10 <sup>-4</sup> kgm <sup>2</sup> ]	$\Delta\varphi_2$ [arcmin]	$C_2$ [Nm/ arcmin]	m [kg]
[rpm]	[Nm]	[Nm]				[Nm]	[Nm]			[rpm]	[rpm]	[rpm]				
<b>C1 (<math>n_{1N} = 3000</math> rpm, <math>M_{Zacc,max} = 140</math> Nm)</b>																
1487	19	22	4.8	2.5	C102_0020 EZ503U	47	59	2.018	1128/559	3100	2600	5000	9.5	18	3.1	19
1487	23	28	6.0	2.3	C102_0020 EZ702U	80	150	2.018	1128/559	3100	2600	5000	16	18	3.1	22
1487	26	31	6.7	2.1	C102_0020 EZ505U	100	150	2.018	1128/559	3100	2600	5000	14	18	3.1	22
1487	32	41	8.2	1.7	C102_0020 EZ703U	100	150	2.018	1128/559	3100	2600	5000	24	18	3.1	24
<b>C1 (<math>n_{1N} = 4500</math> rpm, <math>M_{Zacc,max} = 130</math> Nm)</b>																
710	58	94	6.6	1.2	C102_0063 EZ505U	130	220	6.338	507/80	3800	3500	6000	13	18	3.1	22
766	54	87	6.5	1.3	C102_0059 EZ505U	130	220	5.875	47/8	3800	3500	6000	13	18	3.1	22
896	46	75	6.3	1.4	C102_0050 EZ505U	130	220	5.025	201/40	3800	3500	6000	13	18	3.1	22
896	59	97	8.1	1.1	C102_0050 EZ703U	130	220	5.025	201/40	3800	3500	6000	22	18	3.1	24
966	43	69	6.2	1.5	C102_0047 EZ505U	130	220	4.658	3149/676	3800	3500	6000	13	18	3.1	22
966	55	90	8.0	1.2	C102_0047 EZ703U	130	220	4.658	3149/676	3800	3500	6000	22	18	3.1	24
1074	39	62	6.1	1.6	C102_0042 EZ505U	130	220	4.189	377/90	3600	3100	6000	13	18	3.1	22
1074	49	81	7.8	1.3	C102_0042 EZ703U	130	220	4.189	377/90	3600	3100	6000	22	18	3.1	24
1159	36	58	6.1	1.7	C102_0039 EZ505U	130	220	3.883	1363/351	3600	3100	6000	13	18	3.1	22
1159	46	75	7.7	1.3	C102_0039 EZ703U	130	220	3.883	1363/351	3600	3100	6000	22	18	3.1	24
1350	31	49	5.9	1.9	C102_0033 EZ505U	120	220	3.334	2067/620	3600	3100	6000	13	18	3.1	22
1350	39	65	7.5	1.5	C102_0033 EZ703U	120	220	3.334	2067/620	3600	3100	6000	23	18	3.1	24
1456	28	46	5.8	2.0	C102_0031 EZ505U	120	220	3.091	2491/806	3600	3100	6000	13	18	3.1	22
1456	36	60	7.4	1.5	C102_0031 EZ703U	120	220	3.091	2491/806	3600	3100	6000	23	18	3.1	24
1743	24	38	5.7	2.2	C102_0026 EZ505U	110	190	2.582	1911/740	3100	2600	5000	14	18	3.1	22
1743	30	50	7.2	1.7	C102_0026 EZ703U	110	190	2.582	1911/740	3100	2600	5000	23	18	3.1	24
1880	22	36	5.6	2.3	C102_0024 EZ505U	110	170	2.394	2303/962	3100	2600	5000	14	18	3.1	22
1880	28	46	7.1	1.8	C102_0024 EZ703U	110	170	2.394	2303/962	3100	2600	5000	23	18	3.1	24
2067	20	32	5.5	2.5	C102_0022 EZ505U	110	160	2.177	468/215	3100	2600	5000	14	18	3.1	22
2067	26	42	7.0	1.9	C102_0022 EZ703U	110	160	2.177	468/215	3100	2600	5000	23	18	3.1	24
2230	19	30	5.4	2.6	C102_0020 EZ505U	100	150	2.018	1128/559	3100	2600	5000	14	18	3.1	22
2230	24	39	6.9	2.0	C102_0020 EZ703U	100	150	2.018	1128/559	3100	2600	5000	24	18	3.1	24
<b>C1 (<math>n_{1N} = 6000</math> rpm, <math>M_{Zacc,max} = 140</math> Nm)</b>																
54	95	101	1.5	1.3	C103_1110 EZ301U	140	240	111.1	1222/11	4000	3900	6000	0.25	15	3.9	15
65	78	84	1.4	1.5	C103_0920 EZ301U	140	240	92.13	16215/176	4000	3900	6000	0.25	15	3.9	15
73	69	74	1.3	1.7	C103_0820 EZ301U	140	240	81.64	31349/384	4000	3900	6000	0.25	15	3.9	15
85	61	65	1.2	2.0	C102_0700 EZ301U	140	240	70.46	775/11	4000	3900	6000	0.22	15	3.9	12
96	54	58	1.1	2.2	C102_0620 EZ301U	140	240	62.43	4495/72	4000	3900	6000	0.22	15	3.9	12
96	91	102	1.9	1.3	C102_0620 EZ302U	140	240	62.43	4495/72	4000	3900	6000	0.32	15	3.9	13
106	49	52	1.1	2.5	C102_0560 EZ301U	140	240	56.36	620/11	4000	3900	6000	0.24	15	3.9	12
106	82	92	1.8	1.5	C102_0560 EZ302U	140	240	56.36	620/11	4000	3900	6000	0.34	15	3.9	13
120	43	46	1.0	2.8	C102_0500 EZ301U	140	240	49.94	899/18	4000	3900	6000	0.24	15	3.9	12
120	73	81	1.7	1.7	C102_0500 EZ302U	140	240	49.94	899/18	4000	3900	6000	0.34	15	3.9	13
128	40	43	1.0	3.0	C102_0470 EZ301U	130	240	46.91	516/11	4000	3900	6000	0.26	15	3.9	12
128	68	76	1.7	1.8	C102_0470 EZ302U	140	240	46.91	516/11	4000	3900	6000	0.36	15	3.9	13
128	89	102	2.2	1.3	C102_0470 EZ303U	140	240	46.91	516/11	4000	3900	6000	0.47	15	3.9	14
144	36	38	0.9	3.3	C102_0420 EZ301U	110	230	41.57	1247/30	4000	3900	6000	0.26	15	3.9	12
144	60	68	1.6	2.0	C102_0420 EZ302U	140	230	41.57	1247/30	4000	3900	6000	0.36	15	3.9	13
144	79	91	2.0	1.5	C102_0420 EZ303U	140	230	41.57	1247/30	4000	3900	6000	0.47	15	3.9	14
171	30	32	0.9	4.0	C102_0350 EZ301U	95	220	35.07	2700/77	4000	3900	6000	0.30	15	3.9	12
171	51	57	1.4	2.4	C102_0350 EZ302U	140	220	35.07	2700/77	4000	3900	6000	0.40	15	3.9	13
171	67	77	1.9	1.8	C102_0350 EZ303U	140	220	35.07	2700/77	4000	3900	6000	0.51	15	3.9	14
171	78	95	2.2	1.5	C102_0350 EZ401U	140	240	35.07	2700/77	4000	3900	6000	1.0	15	3.9	15
193	27	29	0.8	4.5	C102_0310 EZ301U	84	190	31.07	435/14	4000	3900	6000	0.30	15	3.9	12
193	45	51	1.4	2.7	C102_0310 EZ302U	140	190	31.07	435/14	4000	3900	6000	0.40	15	3.9	13
193	59	68	1.8	2.0	C102_0310 EZ303U	140	190	31.07	435/14	4000	3900	6000	0.51	15	3.9	14
193	69	84	2.1	1.7	C102_0310 EZ401U	140	240	31.07	435/14	4000	3900	6000	1.0	15	3.9	15
212	24	26	0.8	4.9	C102_0280 EZ301U	77	200	28.36	312/11	4000	3900	6000	0.34	15	3.9	12
212	41	46	1.3	2.9	C102_0280 EZ302U	140	200	28.36	312/11	4000	3900	6000	0.44	15	3.9	13
212	54	62	1.7	2.2	C102_0280 EZ303U	140	200	28.36	312/11	4000	3900	6000	0.55	15	3.9	14
212	63	77	2.0	1.9	C102_0280 EZ401U	140	240	28.36	312/11	4000	3900	6000	1.1	15	3.9	15
239	37	41	1.2	3.3	C102_0250 EZ302U	120	180	25.13	377/15	4000	3900	6000	0.44	15	3.9	13
239	48	55	1.6	2.5	C102_0250 EZ303U	140	180	25.13	377/15	4000	3900	6000	0.55	15	3.9	14
239	56	68	1.9	2.1	C102_0250 EZ401U	140	240	25.13	377/15	4000	3900	6000	1.1	15	3.9	15



11 C helical geared motors  
11.2 Selection tables

STOBER

$n_{2N}$ [rpm]	$M_{2N}$ [Nm]	$M_{2,0}$ [Nm]	$a_{in}$	S	Type	$M_{2acc}$ [Nm]	$M_{2NOT}$ [Nm]	$i$	$i_{exakt}$	$n_{1max}$ DBH [rpm]	$n_{1max}$ DBV [rpm]	$n_{1max}$ ZB [rpm]	$J_1$ [10 <sup>-4</sup> kgm <sup>2</sup> ]	$\Delta\varphi_2$ [arcmin]	$C_2$ [Nm/ arcmin]	$m$ [kg]
<b>C1 (<math>n_{1N} = 6000</math> rpm, <math>M_{2acc,max} = 140</math> Nm)</b>																
255	34	38	1.2	3.4	C102_0240 EZ302U	110	170	23.52	1035/44	4000	3900	6000	0.49	15	3.9	13
255	45	51	1.6	2.6	C102_0240 EZ303U	140	170	23.52	1035/44	4000	3900	6000	0.60	15	3.9	14
255	52	64	1.8	2.2	C102_0240 EZ401U	140	240	23.52	1035/44	4000	3900	6000	1.1	15	3.9	15
255	78	100	2.7	1.5	C102_0240 EZ501U	140	240	23.52	1035/44	4000	3900	6000	3.1	15	3.9	16
288	30	34	1.2	3.7	C102_0210 EZ302U	100	150	20.84	667/32	4000	3900	6000	0.49	15	3.9	13
288	40	45	1.5	2.8	C102_0210 EZ303U	120	150	20.84	667/32	4000	3900	6000	0.60	15	3.9	14
288	47	57	1.8	2.4	C102_0210 EZ401U	140	240	20.84	667/32	4000	3900	6000	1.1	15	3.9	15
288	69	89	2.7	1.6	C102_0210 EZ501U	140	240	20.84	667/32	4000	3900	6000	3.1	15	3.9	16
288	71	99	2.8	1.6	C102_0210 EZ402U	140	240	20.84	667/32	4000	3900	6000	1.8	15	3.9	16
338	26	29	1.1	4.0	C102_0175 EZ302U	86	130	17.73	195/11	3800	3500	6000	0.59	15	3.9	13
338	34	39	1.5	3.1	C102_0175 EZ303U	100	130	17.73	195/11	3800	3500	6000	0.70	15	3.9	14
338	40	48	1.8	2.7	C102_0175 EZ401U	140	240	17.73	195/11	3800	3500	6000	1.2	15	3.9	15
338	58	76	2.6	1.8	C102_0175 EZ501U	140	240	17.73	195/11	3800	3500	6000	3.2	15	3.9	16
338	60	84	2.7	1.8	C102_0175 EZ402U	140	240	17.73	195/11	3800	3500	6000	1.9	15	3.9	16
382	23	26	1.1	4.0	C102_0155 EZ302U	76	110	15.71	377/24	3800	3500	6000	0.60	15	3.9	13
382	30	34	1.5	3.1	C102_0155 EZ303U	91	110	15.71	377/24	3800	3500	6000	0.71	15	3.9	14
382	35	43	1.7	2.9	C102_0155 EZ401U	130	230	15.71	377/24	3800	3500	6000	1.2	15	3.9	15
382	52	67	2.6	2.0	C102_0155 EZ501U	140	240	15.71	377/24	3800	3500	6000	3.2	15	3.9	16
382	53	75	2.6	1.9	C102_0155 EZ402U	140	230	15.71	377/24	3800	3500	6000	1.9	15	3.9	16
427	20	23	1.1	4.0	C102_0140 EZ302U	68	100	14.06	2010/143	3800	3500	6000	0.70	15	3.9	13
427	27	31	1.4	3.1	C102_0140 EZ303U	82	100	14.06	2010/143	3800	3500	6000	0.81	15	3.9	14
427	31	38	1.7	3.2	C102_0140 EZ401U	120	200	14.06	2010/143	3800	3500	6000	1.3	15	3.9	15
427	46	60	2.5	2.1	C102_0140 EZ501U	140	240	14.06	2010/143	3800	3500	6000	3.3	15	3.9	16
427	48	67	2.6	2.1	C102_0140 EZ402U	140	200	14.06	2010/143	3800	3500	6000	2.0	15	3.9	16
427	71	106	3.8	1.4	C102_0140 EZ502U	140	240	14.06	2010/143	3800	3500	6000	5.6	15	3.9	17
482	18	20	1.1	4.0	C102_0125 EZ302U	60	91	12.46	1943/156	3800	3500	6000	0.71	15	3.9	13
482	24	27	1.4	3.1	C102_0125 EZ303U	72	91	12.46	1943/156	3800	3500	6000	0.82	15	3.9	14
482	28	34	1.7	3.4	C102_0125 EZ401U	100	180	12.46	1943/156	3800	3500	6000	1.3	15	3.9	15
482	41	53	2.5	2.3	C102_0125 EZ501U	140	240	12.46	1943/156	3800	3500	6000	3.3	15	3.9	16
482	42	59	2.5	2.3	C102_0125 EZ402U	140	180	12.46	1943/156	3800	3500	6000	2.0	15	3.9	16
482	63	94	3.8	1.5	C102_0125 EZ502U	140	240	12.46	1943/156	3800	3500	6000	5.6	15	3.9	17
482	63	95	3.8	1.5	C102_0125 EZ701U	140	240	12.46	1943/156	3800	3500	6000	8.9	15	3.9	19
482	70	101	4.2	1.4	C102_0125 EZ404U	140	240	12.46	1943/156	3800	3500	6000	3.4	15	3.9	18
512	17	19	1.1	4.0	C102_0115 EZ302U	57	85	11.72	1160/99	3600	3100	6000	0.82	15	3.9	13
512	22	26	1.4	3.1	C102_0115 EZ303U	68	85	11.72	1160/99	3600	3100	6000	0.93	15	3.9	14
512	26	32	1.6	3.6	C102_0115 EZ401U	97	170	11.72	1160/99	3600	3100	6000	1.5	15	3.9	15
512	39	50	2.4	2.4	C102_0115 EZ501U	140	240	11.72	1160/99	3600	3100	6000	3.4	15	3.9	16
512	40	56	2.5	2.3	C102_0115 EZ402U	140	170	11.72	1160/99	3600	3100	6000	2.2	15	3.9	16
512	59	89	3.7	1.6	C102_0115 EZ502U	140	240	11.72	1160/99	3600	3100	6000	5.7	15	3.9	17
512	59	90	3.7	1.6	C102_0115 EZ701U	140	240	11.72	1160/99	3600	3100	6000	9.0	15	3.9	19
512	66	95	4.1	1.4	C102_0115 EZ404U	140	240	11.72	1160/99	3600	3100	6000	3.5	15	3.9	18
578	15	17	1.1	4.0	C102_0105 EZ302U	50	76	10.38	841/81	3600	3100	6000	0.83	15	3.9	13
578	20	23	1.4	3.1	C102_0105 EZ303U	60	76	10.38	841/81	3600	3100	6000	0.94	15	3.9	14
578	23	28	1.6	3.9	C102_0105 EZ401U	86	150	10.38	841/81	3600	3100	6000	1.5	15	3.9	15
578	34	44	2.4	2.6	C102_0105 EZ501U	140	240	10.38	841/81	3600	3100	6000	3.4	15	3.9	16
578	35	49	2.4	2.5	C102_0105 EZ402U	120	150	10.38	841/81	3600	3100	6000	2.2	15	3.9	16
578	52	79	3.6	1.7	C102_0105 EZ502U	140	240	10.38	841/81	3600	3100	6000	5.7	15	3.9	17
578	52	80	3.6	1.7	C102_0105 EZ701U	140	240	10.38	841/81	3600	3100	6000	9.0	15	3.9	19
578	58	85	4.1	1.5	C102_0105 EZ404U	140	240	10.38	841/81	3600	3100	6000	3.5	15	3.9	18
643	14	15	1.0	4.0	C102_0093 EZ302U	45	68	9.326	3180/341	3600	3100	6000	1.0	15	3.9	13
643	18	20	1.3	3.1	C102_0093 EZ303U	54	68	9.326	3180/341	3600	3100	6000	1.1	15	3.9	14
643	21	25	1.6	4.1	C102_0093 EZ401U	77	140	9.326	3180/341	3600	3100	6000	1.6	15	3.9	15
643	31	40	2.3	2.8	C102_0093 EZ501U	140	240	9.326	3180/341	3600	3100	6000	3.6	15	3.9	16
643	32	44	2.4	2.7	C102_0093 EZ402U	110	140	9.326	3180/341	3600	3100	6000	2.3	15	3.9	16
643	47	71	3.6	1.8	C102_0093 EZ502U	140	240	9.326	3180/341	3600	3100	6000	5.9	15	3.9	17
643	47	71	3.6	1.8	C102_0093 EZ701U	140	240	9.326	3180/341	3600	3100	6000	9.2	15	3.9	19
643	52	76	4.0	1.6	C102_0093 EZ404U	140	240	9.326	3180/341	3600	3100	6000	3.7	15	3.9	18
643	56	96	4.3	1.5	C102_0093 EZ503U	140	240	9.326	3180/341	3600	3100	6000	8.3	15	3.9	19
726	12	13	1.0	4.0	C102_0083 EZ302U	40	60	8.263	1537/186	3600	3100	6000	1.0	15	3.9	13

C



# 11 C helical geared motors

## 11.2 Selection tables



n <sub>2N</sub>	M <sub>2N</sub>	M <sub>2,0</sub>	a <sub>th</sub>	S	Type	M <sub>Zacc</sub>	M <sub>2NOT</sub>	i	i <sub>exakt</sub>	n <sub>1max</sub> DBH	n <sub>1max</sub> DBV	n <sub>1max</sub> ZB	J <sub>i</sub> [10 <sup>-4</sup> kgm <sup>2</sup> ]	Δφ <sub>2</sub> [arcmin]	C <sub>2</sub> [Nm/ arcmin]	m [kg]
[rpm]	[Nm]	[Nm]				[Nm]	[Nm]			[rpm]	[rpm]	[rpm]				
<b>C1 (n<sub>1N</sub> = 6000 rpm, M<sub>Zacc,max</sub> = 140 Nm)</b>																
726	16	18	1.3	3.1	C102_0083 EZ303U	48	60	8.263	1537/186	3600	3100	6000	1.1	15	3.9	14
726	18	22	1.6	4.5	C102_0083 EZ401U	68	120	8.263	1537/186	3600	3100	6000	1.7	15	3.9	15
726	27	35	2.3	3.0	C102_0083 EZ501U	130	240	8.263	1537/186	3600	3100	6000	3.6	15	3.9	16
726	28	39	2.4	3.0	C102_0083 EZ402U	96	120	8.263	1537/186	3600	3100	6000	2.4	15	3.9	16
726	42	63	3.5	2.0	C102_0083 EZ502U	140	240	8.263	1537/186	3600	3100	6000	5.9	15	3.9	17
726	42	63	3.5	2.0	C102_0083 EZ701U	140	240	8.263	1537/186	3600	3100	6000	9.2	15	3.9	19
726	46	67	3.9	1.8	C102_0083 EZ404U	140	240	8.263	1537/186	3600	3100	6000	3.7	15	3.9	18
726	50	85	4.2	1.7	C102_0083 EZ503U	140	240	8.263	1537/186	3600	3100	6000	8.3	15	3.9	19
770	11	13	1.2	4.0	C102_0078 EZ302U	38	57	7.796	3243/416	4000	3900	6000	0.54	18	3.1	13
770	15	17	1.5	3.1	C102_0078 EZ303U	45	57	7.796	3243/416	4000	3900	6000	0.65	18	3.1	14
770	17	21	1.8	4.0	C102_0078 EZ401U	64	110	7.796	3243/416	4000	3900	6000	1.2	18	3.1	15
770	26	33	2.7	2.7	C102_0078 EZ501U	120	210	7.796	3243/416	4000	3900	6000	3.1	18	3.1	16
770	26	37	2.8	2.6	C102_0078 EZ402U	91	110	7.796	3243/416	4000	3900	6000	1.9	18	3.1	16
770	39	59	4.1	1.7	C102_0078 EZ502U	130	210	7.796	3243/416	4000	3900	6000	5.4	18	3.1	17
770	39	60	4.1	1.7	C102_0078 EZ701U	130	220	7.796	3243/416	4000	3900	6000	8.7	18	3.1	19
770	44	64	4.6	1.6	C102_0078 EZ404U	130	210	7.796	3243/416	4000	3900	6000	3.2	18	3.1	18
770	47	80	4.9	1.5	C102_0078 EZ503U	130	210	7.796	3243/416	4000	3900	6000	7.8	18	3.1	19
947	9.2	10	1.1	4.0	C102_0063 EZ302U	31	46	6.338	507/80	3800	3500	6000	0.67	18	3.1	13
947	12	14	1.5	3.1	C102_0063 EZ303U	37	46	6.338	507/80	3800	3500	6000	0.78	18	3.1	14
947	14	17	1.8	4.5	C102_0063 EZ401U	52	92	6.338	507/80	3800	3500	6000	1.3	18	3.1	15
947	21	27	2.6	3.1	C102_0063 EZ501U	98	180	6.338	507/80	3800	3500	6000	3.3	18	3.1	16
947	22	30	2.7	3.0	C102_0063 EZ402U	74	92	6.338	507/80	3800	3500	6000	2.0	18	3.1	16
947	32	48	4.0	2.0	C102_0063 EZ502U	130	180	6.338	507/80	3800	3500	6000	5.6	18	3.1	17
947	32	49	4.0	2.0	C102_0063 EZ701U	120	220	6.338	507/80	3800	3500	6000	8.9	18	3.1	19
947	36	52	4.4	1.8	C102_0063 EZ404U	130	180	6.338	507/80	3800	3500	6000	3.4	18	3.1	18
947	38	65	4.7	1.7	C102_0063 EZ503U	130	180	6.338	507/80	3800	3500	6000	8.0	18	3.1	19
947	44	88	5.5	1.4	C102_0063 EZ702U	130	220	6.338	507/80	3800	3500	6000	14	18	3.1	22
1021	8.5	9.6	1.1	4.0	C102_0059 EZ302U	28	43	5.875	47/8	3800	3500	6000	0.67	18	3.1	13
1021	11	13	1.5	3.1	C102_0059 EZ303U	34	43	5.875	47/8	3800	3500	6000	0.78	18	3.1	14
1021	13	16	1.7	4.8	C102_0059 EZ401U	48	85	5.875	47/8	3800	3500	6000	1.3	18	3.1	15
1021	19	25	2.6	3.2	C102_0059 EZ501U	91	170	5.875	47/8	3800	3500	6000	3.3	18	3.1	16
1021	20	28	2.6	3.1	C102_0059 EZ402U	68	85	5.875	47/8	3800	3500	6000	2.0	18	3.1	16
1021	30	44	3.9	2.1	C102_0059 EZ502U	130	170	5.875	47/8	3800	3500	6000	5.6	18	3.1	17
1021	30	45	3.9	2.1	C102_0059 EZ701U	110	220	5.875	47/8	3800	3500	6000	8.9	18	3.1	19
1021	33	48	4.4	1.9	C102_0059 EZ404U	130	170	5.875	47/8	3800	3500	6000	3.4	18	3.1	18
1021	35	60	4.7	1.8	C102_0059 EZ503U	130	170	5.875	47/8	3800	3500	6000	8.0	18	3.1	19
1021	41	81	5.4	1.5	C102_0059 EZ702U	130	220	5.875	47/8	3800	3500	6000	14	18	3.1	22
1194	7.3	8.2	1.1	4.0	C102_0050 EZ302U	24	37	5.025	201/40	3800	3500	6000	0.82	18	3.1	13
1194	9.6	11	1.4	3.1	C102_0050 EZ303U	29	37	5.025	201/40	3800	3500	6000	0.93	18	3.1	14
1194	11	14	1.7	2.6	C102_0050 EZ401U	29	37	5.025	201/40	3800	3500	6000	1.5	18	3.1	15
1194	17	21	2.5	3.6	C102_0050 EZ501U	78	150	5.025	201/40	3800	3500	6000	3.4	18	3.1	16
1194	17	24	2.6	3.4	C102_0050 EZ402U	58	73	5.025	201/40	3800	3500	6000	2.2	18	3.1	16
1194	25	38	3.8	2.3	C102_0050 EZ502U	120	150	5.025	201/40	3800	3500	6000	5.7	18	3.1	17
1194	25	39	3.8	2.3	C102_0050 EZ701U	97	220	5.025	201/40	3800	3500	6000	9.0	18	3.1	19
1194	28	41	4.3	2.1	C102_0050 EZ404U	120	150	5.025	201/40	3800	3500	6000	3.5	18	3.1	18
1194	30	52	4.5	2.0	C102_0050 EZ503U	120	150	5.025	201/40	3800	3500	6000	8.1	18	3.1	19
1194	35	70	5.3	1.7	C102_0050 EZ702U	130	220	5.025	201/40	3800	3500	6000	14	18	3.1	22
1288	6.8	7.6	1.1	4.0	C102_0047 EZ302U	23	34	4.658	3149/676	3800	3500	6000	0.83	18	3.1	13
1288	8.9	10	1.4	3.1	C102_0047 EZ303U	27	34	4.658	3149/676	3800	3500	6000	0.94	18	3.1	14
1288	10	13	1.7	2.6	C102_0047 EZ401U	27	34	4.658	3149/676	3800	3500	6000	1.5	18	3.1	15
1288	15	20	2.5	3.8	C102_0047 EZ501U	72	140	4.658	3149/676	3800	3500	6000	3.4	18	3.1	16
1288	16	22	2.5	3.4	C102_0047 EZ402U	54	68	4.658	3149/676	3800	3500	6000	2.2	18	3.1	16
1288	23	35	3.8	2.5	C102_0047 EZ502U	110	140	4.658	3149/676	3800	3500	6000	5.7	18	3.1	17
1288	23	36	3.8	2.5	C102_0047 EZ701U	90	220	4.658	3149/676	3800	3500	6000	9.0	18	3.1	19
1288	26	38	4.2	2.2	C102_0047 EZ404U	110	140	4.658	3149/676	3800	3500	6000	3.5	18	3.1	18
1288	28	48	4.5	2.1	C102_0047 EZ503U	110	140	4.658	3149/676	3800	3500	6000	8.1	18	3.1	19
1288	33	65	5.2	1.8	C102_0047 EZ702U	130	220	4.658	3149/676	3800	3500	6000	14	18	3.1	22
1432	6.1	6.8	1.1	4.0	C102_0042 EZ302U	20	30	4.189	377/90	3600	3100	6000	0.99	18	3.1	13
1432	8.0	9.1	1.4	3.1	C102_0042 EZ303U	24	30	4.189	377/90	3600	3100	6000	1.1	18	3.1	14



11 C helical geared motors  
11.2 Selection tables



n <sub>2N</sub>	M <sub>2N</sub>	M <sub>2,0</sub>	a <sub>in</sub>	S	Type	M <sub>2acc</sub>	M <sub>2NOT</sub>	i	i <sub>exakt</sub>	n <sub>1max</sub> DBH	n <sub>1max</sub> DBV	n <sub>1max</sub> ZB	J <sub>1</sub> [10 <sup>-4</sup> kgm <sup>2</sup> ]	Δφ <sub>2</sub> [arcmin]	C <sub>2</sub> [Nm/ arcmin]	m [kg]
[rpm]	[Nm]	[Nm]				[Nm]	[Nm]			[rpm]	[rpm]	[rpm]				
<b>C1 (n<sub>1N</sub> = 6000 rpm, M<sub>2acc,max</sub> = 140 Nm)</b>																
1432	9.3	11	1.6	2.6	C102_0042 EZ401U	24	30	4.189	377/90	3600	3100	6000	1.6	18	3.1	15
1432	14	18	2.4	4.0	C102_0042 EZ501U	65	120	4.189	377/90	3600	3100	6000	3.6	18	3.1	16
1432	14	20	2.5	3.4	C102_0042 EZ402U	49	61	4.189	377/90	3600	3100	6000	2.3	18	3.1	16
1432	21	32	3.7	2.6	C102_0042 EZ502U	98	120	4.189	377/90	3600	3100	6000	5.9	18	3.1	17
1432	21	32	3.7	2.6	C102_0042 EZ701U	81	220	4.189	377/90	3600	3100	6000	9.2	18	3.1	19
1432	24	34	4.1	2.4	C102_0042 EZ404U	98	120	4.189	377/90	3600	3100	6000	3.7	18	3.1	18
1432	25	43	4.4	2.2	C102_0042 EZ503U	98	120	4.189	377/90	3600	3100	6000	8.3	18	3.1	19
1432	29	58	5.1	1.9	C102_0042 EZ702U	130	220	4.189	377/90	3600	3100	6000	14	18	3.1	22
1545	5.7	6.3	1.1	4.0	C102_0039 EZ302U	19	28	3.883	1363/351	3600	3100	6000	1.0	18	3.1	13
1545	7.4	8.5	1.4	3.1	C102_0039 EZ303U	23	28	3.883	1363/351	3600	3100	6000	1.1	18	3.1	14
1545	8.7	11	1.6	2.6	C102_0039 EZ401U	23	28	3.883	1363/351	3600	3100	6000	1.6	18	3.1	15
1545	13	17	2.4	4.3	C102_0039 EZ501U	60	110	3.883	1363/351	3600	3100	6000	3.6	18	3.1	16
1545	13	18	2.5	3.4	C102_0039 EZ402U	45	56	3.883	1363/351	3600	3100	6000	2.3	18	3.1	16
1545	20	29	3.7	2.8	C102_0039 EZ502U	90	110	3.883	1363/351	3600	3100	6000	5.9	18	3.1	17
1545	20	30	3.7	2.8	C102_0039 EZ701U	75	220	3.883	1363/351	3600	3100	6000	9.2	18	3.1	19
1545	22	32	4.1	2.5	C102_0039 EZ404U	90	110	3.883	1363/351	3600	3100	6000	3.7	18	3.1	18
1545	23	40	4.4	2.3	C102_0039 EZ503U	90	110	3.883	1363/351	3600	3100	6000	8.3	18	3.1	19
1545	27	54	5.1	2.0	C102_0039 EZ702U	130	220	3.883	1363/351	3600	3100	6000	14	18	3.1	22
1800	4.9	5.4	1.0	4.0	C102_0033 EZ302U	16	24	3.334	2067/620	3600	3100	6000	1.3	18	3.1	13
1800	6.3	7.3	1.3	3.1	C102_0033 EZ303U	19	24	3.334	2067/620	3600	3100	6000	1.4	18	3.1	14
1800	7.4	9.1	1.6	2.6	C102_0033 EZ401U	19	24	3.334	2067/620	3600	3100	6000	1.9	18	3.1	15
1800	11	14	2.3	4.7	C102_0033 EZ501U	52	97	3.334	2067/620	3600	3100	6000	3.9	18	3.1	16
1800	11	16	2.4	3.4	C102_0033 EZ402U	39	49	3.334	2067/620	3600	3100	6000	2.6	18	3.1	16
1800	17	25	3.6	3.1	C102_0033 EZ502U	78	97	3.334	2067/620	3600	3100	6000	6.2	18	3.1	17
1800	17	26	3.6	3.1	C102_0033 EZ701U	65	220	3.334	2067/620	3600	3100	6000	9.5	18	3.1	19
1800	19	27	4.0	2.8	C102_0033 EZ404U	78	97	3.334	2067/620	3600	3100	6000	4.0	18	3.1	18
1800	20	34	4.2	2.6	C102_0033 EZ503U	78	97	3.334	2067/620	3600	3100	6000	8.6	18	3.1	19
1800	23	46	4.9	2.2	C102_0033 EZ702U	120	220	3.334	2067/620	3600	3100	6000	15	18	3.1	22
1941	4.5	5.0	1.0	4.0	C102_0031 EZ302U	15	22	3.091	2491/806	3600	3100	6000	1.3	18	3.1	13
1941	5.9	6.7	1.3	3.1	C102_0031 EZ303U	18	22	3.091	2491/806	3600	3100	6000	1.4	18	3.1	14
1941	6.9	8.4	1.6	2.6	C102_0031 EZ401U	18	22	3.091	2491/806	3600	3100	6000	1.9	18	3.1	15
1941	10	13	2.3	5.0	C102_0031 EZ501U	48	90	3.091	2491/806	3600	3100	6000	3.9	18	3.1	16
1941	10	15	2.4	3.4	C102_0031 EZ402U	36	45	3.091	2491/806	3600	3100	6000	2.6	18	3.1	16
1941	16	23	3.5	3.2	C102_0031 EZ502U	72	90	3.091	2491/806	3600	3100	6000	6.2	18	3.1	17
1941	16	24	3.5	3.2	C102_0031 EZ701U	60	220	3.091	2491/806	3600	3100	6000	9.5	18	3.1	19
1941	17	25	3.9	2.9	C102_0031 EZ404U	72	90	3.091	2491/806	3600	3100	6000	4.0	18	3.1	18
1941	19	32	4.2	2.7	C102_0031 EZ503U	72	90	3.091	2491/806	3600	3100	6000	8.6	18	3.1	19
1941	22	43	4.9	2.3	C102_0031 EZ702U	120	220	3.091	2491/806	3600	3100	6000	15	18	3.1	22
<b>C2 (n<sub>1N</sub> = 3000 rpm, M<sub>2acc,max</sub> = 230 Nm)</b>																
32	140	148	1.6	1.4	C203_0920 EZ302U	230	400	92.40	29939/324	4000	3900	6000	0.36	14	8.3	22
37	123	129	1.5	1.6	C203_0810 EZ302U	230	400	80.62	11609/144	4000	3900	6000	0.36	14	8.3	22
37	160	169	2.0	1.3	C203_0810 EZ303U	230	400	80.62	11609/144	4000	3900	6000	0.47	14	8.3	22
43	108	115	1.4	1.8	C202_0700 EZ302U	230	310	70.32	7595/108	4000	3900	6000	0.36	14	8.3	17
43	141	149	1.9	1.4	C202_0700 EZ303U	230	310	70.32	7595/108	4000	3900	6000	0.47	14	8.3	18
49	95	100	1.4	2.0	C202_0610 EZ302U	220	270	61.35	2945/48	4000	3900	6000	0.36	14	8.3	17
49	123	130	1.8	1.5	C202_0610 EZ303U	220	270	61.35	2945/48	4000	3900	6000	0.47	14	8.3	18
53	87	92	1.3	2.3	C202_0560 EZ302U	230	290	56.42	1862/33	4000	3900	6000	0.39	14	8.3	17
53	113	120	1.7	1.8	C202_0560 EZ303U	230	290	56.42	1862/33	4000	3900	6000	0.50	14	8.3	18
53	153	164	2.2	1.3	C202_0560 EZ401U	230	400	56.42	1862/33	4000	3900	6000	1.0	14	8.3	19
61	76	80	1.2	2.6	C202_0490 EZ302U	200	260	49.23	1083/22	4000	3900	6000	0.39	14	8.3	17
61	99	105	1.6	2.0	C202_0490 EZ303U	200	260	49.23	1083/22	4000	3900	6000	0.50	14	8.3	18
61	134	143	2.1	1.5	C202_0490 EZ401U	230	400	49.23	1083/22	4000	3900	6000	1.0	14	8.3	19
64	72	76	1.2	2.7	C202_0470 EZ302U	200	240	46.82	2107/45	4000	3900	6000	0.43	14	8.3	17
64	94	99	1.5	2.1	C202_0470 EZ303U	200	240	46.82	2107/45	4000	3900	6000	0.54	14	8.3	18
64	127	136	2.0	1.6	C202_0470 EZ401U	230	400	46.82	2107/45	4000	3900	6000	1.1	14	8.3	19
73	63	67	1.1	2.7	C202_0410 EZ302U	170	210	40.85	817/20	4000	3900	6000	0.43	14	8.3	17
73	82	87	1.4	2.1	C202_0410 EZ303U	170	210	40.85	817/20	4000	3900	6000	0.54	14	8.3	18
73	111	119	1.9	1.8	C202_0410 EZ401U	230	400	40.85	817/20	4000	3900	6000	1.1	14	8.3	19
85	54	57	1.0	3.4	C202_0350 EZ302U	170	230	35.18	1372/39	4000	3900	6000	0.52	14	8.3	17





# 11 C helical geared motors

## 11.2 Selection tables

$n_{2N}$	$M_{2N}$	$M_{2,0}$	$a_{th}$	$S$	Type	$M_{Zacc}$	$M_{2NOT}$	$i$	$i_{exakt}$	$n_{1max}$ DBH	$n_{1max}$ DBV	$n_{1max}$ ZB	$J_1$	$\Delta\varphi_2$	$C_2$	$m$
[rpm]	[Nm]	[Nm]				[Nm]	[Nm]			[rpm]	[rpm]	[rpm]	$[10^{-4}$ $kgm^2]$	[arcmin]	[Nm/ arcmin]	[kg]
<b>C2 (<math>n_{1N} = 3000</math> rpm, <math>M_{Zacc,max} = 230</math> Nm)</b>																
85	71	75	1.3	2.6	C202_0350 EZ303U	180	230	35.18	1372/39	4000	3900	6000	0.63	14	8.3	18
85	96	102	1.8	2.1	C202_0350 EZ401U	230	400	35.18	1372/39	4000	3900	6000	1.2	14	8.3	19
85	147	160	2.7	1.4	C202_0350 EZ501U	230	400	35.18	1372/39	4000	3900	6000	3.1	14	8.3	20
85	160	177	3.0	1.2	C202_0350 EZ402U	230	400	35.18	1372/39	4000	3900	6000	1.9	14	8.3	20
98	47	50	0.9	3.4	C202_0310 EZ302U	150	200	30.69	399/13	4000	3900	6000	0.52	14	8.3	17
98	62	65	1.2	2.6	C202_0310 EZ303U	160	200	30.69	399/13	4000	3900	6000	0.63	14	8.3	18
98	83	89	1.7	2.4	C202_0310 EZ401U	230	380	30.69	399/13	4000	3900	6000	1.2	14	8.3	19
98	128	140	2.5	1.6	C202_0310 EZ501U	230	400	30.69	399/13	4000	3900	6000	3.1	14	8.3	20
98	140	155	2.8	1.4	C202_0310 EZ402U	230	380	30.69	399/13	4000	3900	6000	1.9	14	8.3	20
106	44	46	0.9	3.8	C202_0280 EZ302U	140	210	28.24	4067/144	4000	3900	6000	0.61	14	8.3	17
106	57	60	1.2	2.9	C202_0280 EZ303U	160	210	28.24	4067/144	4000	3900	6000	0.72	14	8.3	18
106	77	82	1.6	2.6	C202_0280 EZ401U	230	400	28.24	4067/144	4000	3900	6000	1.2	14	8.3	19
106	118	129	2.4	1.7	C202_0280 EZ501U	230	400	28.24	4067/144	4000	3900	6000	3.2	14	8.3	20
106	129	142	2.7	1.6	C202_0280 EZ402U	230	400	28.24	4067/144	4000	3900	6000	1.9	14	8.3	20
122	38	40	0.8	3.8	C202_0250 EZ302U	120	180	24.64	1577/64	4000	3900	6000	0.61	14	8.3	17
122	49	52	1.1	2.9	C202_0250 EZ303U	140	180	24.64	1577/64	4000	3900	6000	0.72	14	8.3	18
122	67	72	1.5	3.0	C202_0250 EZ401U	200	360	24.64	1577/64	4000	3900	6000	1.3	14	8.3	19
122	103	112	2.3	1.9	C202_0250 EZ501U	230	400	24.64	1577/64	4000	3900	6000	3.2	14	8.3	20
122	112	124	2.5	1.8	C202_0250 EZ402U	230	360	24.64	1577/64	4000	3900	6000	2.0	14	8.3	20
127	36	38	0.8	3.8	C202_0240 EZ302U	110	170	23.59	637/27	4000	3900	6000	0.71	14	8.3	17
127	47	50	1.1	2.9	C202_0240 EZ303U	140	170	23.59	637/27	4000	3900	6000	0.82	14	8.3	18
127	64	69	1.5	3.1	C202_0240 EZ401U	190	340	23.59	637/27	4000	3900	6000	1.3	14	8.3	19
127	98	108	2.2	2.0	C202_0240 EZ501U	230	400	23.59	637/27	4000	3900	6000	3.3	14	8.3	20
127	108	119	2.4	1.9	C202_0240 EZ402U	230	340	23.59	637/27	4000	3900	6000	2.0	14	8.3	20
146	32	34	0.8	3.8	C202_0210 EZ302U	100	150	20.58	247/12	4000	3900	6000	0.71	14	8.3	17
146	41	44	1.0	2.9	C202_0210 EZ303U	120	150	20.58	247/12	4000	3900	6000	0.82	14	8.3	18
146	56	60	1.4	3.6	C202_0210 EZ401U	170	300	20.58	247/12	4000	3900	6000	1.4	14	8.3	19
146	86	94	2.1	2.3	C202_0210 EZ501U	230	400	20.58	247/12	4000	3900	6000	3.3	14	8.3	20
146	94	104	2.3	2.1	C202_0210 EZ402U	230	300	20.58	247/12	4000	3900	6000	2.1	14	8.3	20
146	138	172	3.3	1.5	C202_0210 EZ404U	230	400	20.58	247/12	4000	3900	6000	3.4	14	8.3	22
146	148	160	3.6	1.4	C202_0210 EZ502U	230	400	20.58	247/12	4000	3900	6000	5.6	14	8.3	21
146	148	166	3.6	1.4	C202_0210 EZ701U	230	400	20.58	247/12	4000	3900	6000	8.9	14	8.3	23
171	48	51	1.3	4.2	C202_0175 EZ401U	140	250	17.52	3626/207	3700	3500	5500	1.6	14	8.3	19
171	73	80	1.9	2.7	C202_0175 EZ501U	230	400	17.52	3626/207	3700	3500	5500	3.5	14	8.3	20
171	80	88	2.1	2.5	C202_0175 EZ402U	200	250	17.52	3626/207	3700	3500	5500	2.3	14	8.3	20
171	117	146	3.1	1.7	C202_0175 EZ404U	230	400	17.52	3626/207	3700	3500	5500	3.6	14	8.3	22
171	126	136	3.3	1.6	C202_0175 EZ502U	230	400	17.52	3626/207	3700	3500	5500	5.8	14	8.3	21
171	126	141	3.3	1.6	C202_0175 EZ701U	230	400	17.52	3626/207	3700	3500	5500	9.1	14	8.3	23
196	42	44	1.2	4.3	C202_0155 EZ401U	130	220	15.28	703/46	3700	3500	5500	1.6	14	8.3	19
196	64	70	1.8	3.1	C202_0155 EZ501U	230	400	15.28	703/46	3700	3500	5500	3.5	14	8.3	20
196	70	77	2.0	2.6	C202_0155 EZ402U	180	220	15.28	703/46	3700	3500	5500	2.3	14	8.3	20
196	102	127	2.9	2.0	C202_0155 EZ404U	230	400	15.28	703/46	3700	3500	5500	3.6	14	8.3	22
196	110	119	3.1	1.8	C202_0155 EZ502U	230	400	15.28	703/46	3700	3500	5500	5.8	14	8.3	21
196	110	123	3.1	1.8	C202_0155 EZ701U	230	400	15.28	703/46	3700	3500	5500	9.1	14	8.3	23
196	144	165	4.0	1.4	C202_0155 EZ503U	230	400	15.28	703/46	3700	3500	5500	8.2	14	8.3	23
213	59	64	1.7	3.4	C202_0140 EZ501U	220	400	14.12	3430/243	3700	3500	5500	3.7	14	8.3	20
213	94	118	2.8	2.1	C202_0140 EZ404U	230	400	14.12	3430/243	3700	3500	5500	3.8	14	8.3	22
213	101	110	3.0	2.0	C202_0140 EZ502U	230	400	14.12	3430/243	3700	3500	5500	6.0	14	8.3	21
213	101	114	3.0	2.0	C202_0140 EZ701U	230	400	14.12	3430/243	3700	3500	5500	9.3	14	8.3	23
213	133	152	3.9	1.5	C202_0140 EZ503U	230	400	14.12	3430/243	3700	3500	5500	8.4	14	8.3	23
244	51	56	1.6	3.8	C202_0125 EZ501U	190	360	12.32	665/54	3700	3500	5500	3.8	14	8.3	20
244	82	103	2.6	2.4	C202_0125 EZ404U	230	360	12.32	665/54	3700	3500	5500	3.8	14	8.3	22
244	88	96	2.8	2.2	C202_0125 EZ502U	230	360	12.32	665/54	3700	3500	5500	6.1	14	8.3	21
244	88	99	2.8	2.2	C202_0125 EZ701U	230	400	12.32	665/54	3700	3500	5500	9.4	14	8.3	23
244	116	133	3.7	1.7	C202_0125 EZ503U	230	360	12.32	665/54	3700	3500	5500	8.4	14	8.3	23
244	143	172	4.6	1.4	C202_0125 EZ702U	230	400	12.32	665/54	3700	3500	5500	15	14	8.3	26
255	49	54	1.6	3.9	C202_0120 EZ501U	180	340	11.76	294/25	3500	3100	5000	4.0	14	8.3	20
255	79	98	2.6	2.4	C202_0120 EZ404U	230	340	11.76	294/25	3500	3100	5000	4.1	14	8.3	22
255	84	91	2.8	2.3	C202_0120 EZ502U	230	340	11.76	294/25	3500	3100	5000	6.3	14	8.3	21





# 11 C helical geared motors

## 11.2 Selection tables



$n_{2N}$	$M_{2N}$	$M_{2,0}$	$a_{in}$	S	Type	$M_{2acc}$	$M_{2NOT}$	i	$i_{exakt}$	$n_{1max}$ DBH	$n_{1max}$ DBV	$n_{1max}$ ZB	$J_1$ [10 <sup>-4</sup> kgm <sup>2</sup> ]	$\Delta\varphi_2$ [arcmin]	$C_2$ [Nm/ arcmin]	m
[rpm]	[Nm]	[Nm]				[Nm]	[Nm]			[rpm]	[rpm]	[rpm]				[kg]
<b>C2 (<math>n_{1N} = 3000</math> rpm, <math>M_{2acc,max} = 230</math> Nm)</b>																
255	84	95	2.8	2.3	C202_0120 EZ701U	230	400	11.76	294/25	3500	3100	5000	9.6	14	8.3	23
255	111	127	3.7	1.7	C202_0120 EZ503U	230	340	11.76	294/25	3500	3100	5000	8.7	14	8.3	23
255	137	164	4.6	1.4	C202_0120 EZ702U	230	400	11.76	294/25	3500	3100	5000	15	14	8.3	26
292	43	47	1.6	4.3	C202_0105 EZ501U	160	300	10.26	513/50	3500	3100	5000	4.0	14	8.3	20
292	69	86	2.6	2.7	C202_0105 EZ404U	230	300	10.26	513/50	3500	3100	5000	4.1	14	8.3	22
292	74	80	2.7	2.5	C202_0105 EZ502U	230	300	10.26	513/50	3500	3100	5000	6.3	14	8.3	21
292	74	83	2.7	2.5	C202_0105 EZ701U	200	400	10.26	513/50	3500	3100	5000	9.6	14	8.3	23
292	97	110	3.6	1.9	C202_0105 EZ503U	230	300	10.26	513/50	3500	3100	5000	8.7	14	8.3	23
292	119	143	4.5	1.5	C202_0105 EZ702U	230	400	10.26	513/50	3500	3100	5000	15	14	8.3	26
292	134	159	5.0	1.4	C202_0105 EZ505U	230	400	10.26	513/50	3500	3100	5000	13	14	8.3	26
320	39	43	1.6	4.6	C202_0094 EZ501U	150	270	9.387	2450/261	3500	3100	5000	4.4	14	8.3	20
320	63	78	2.5	2.8	C202_0094 EZ404U	220	270	9.387	2450/261	3500	3100	5000	4.5	14	8.3	22
320	67	73	2.7	2.7	C202_0094 EZ502U	220	270	9.387	2450/261	3500	3100	5000	6.7	14	8.3	21
320	67	76	2.7	2.7	C202_0094 EZ701U	180	400	9.387	2450/261	3500	3100	5000	10	14	8.3	23
320	88	101	3.5	2.0	C202_0094 EZ503U	220	270	9.387	2450/261	3500	3100	5000	9.1	14	8.3	23
320	109	131	4.4	1.6	C202_0094 EZ702U	230	400	9.387	2450/261	3500	3100	5000	15	14	8.3	26
320	123	146	4.9	1.5	C202_0094 EZ505U	230	400	9.387	2450/261	3500	3100	5000	14	14	8.3	26
366	34	37	1.5	5.0	C202_0082 EZ501U	130	240	8.190	475/58	3500	3100	5000	4.4	14	8.3	20
366	55	68	2.5	3.1	C202_0082 EZ404U	190	240	8.190	475/58	3500	3100	5000	4.5	14	8.3	22
366	59	64	2.6	2.9	C202_0082 EZ502U	190	240	8.190	475/58	3500	3100	5000	6.7	14	8.3	21
366	59	66	2.6	2.9	C202_0082 EZ701U	160	400	8.190	475/58	3500	3100	5000	10	14	8.3	23
366	77	88	3.5	2.2	C202_0082 EZ503U	190	240	8.190	475/58	3500	3100	5000	9.1	14	8.3	23
366	95	114	4.3	1.8	C202_0082 EZ702U	230	400	8.190	475/58	3500	3100	5000	15	14	8.3	26
366	107	127	4.8	1.6	C202_0082 EZ505U	230	400	8.190	475/58	3500	3100	5000	14	14	8.3	26
366	131	165	5.9	1.3	C202_0082 EZ703U	230	400	8.190	475/58	3500	3100	5000	23	14	8.3	28
385	12	13	0.7	3.8	C202_0078 EZ302U	38	57	7.800	39/5	4000	3900	6000	0.80	17	6.0	17
385	16	17	0.9	2.9	C202_0078 EZ303U	45	57	7.800	39/5	4000	3900	6000	0.91	17	6.0	18
385	21	23	1.3	4.3	C202_0078 EZ401U	64	110	7.800	39/5	4000	3900	6000	1.4	17	6.0	19
385	33	36	1.9	4.1	C202_0078 EZ501U	120	220	7.800	39/5	4000	3900	6000	3.4	17	6.0	20
385	36	39	2.1	2.6	C202_0078 EZ402U	91	110	7.800	39/5	4000	3900	6000	2.1	17	6.0	20
385	52	65	3.1	2.5	C202_0078 EZ404U	170	220	7.800	39/5	4000	3900	6000	3.5	17	6.0	22
385	56	61	3.3	2.4	C202_0078 EZ502U	170	220	7.800	39/5	4000	3900	6000	5.7	17	6.0	21
385	56	63	3.3	2.4	C202_0078 EZ701U	150	350	7.800	39/5	4000	3900	6000	9.0	17	6.0	23
385	73	84	4.4	1.8	C202_0078 EZ503U	170	220	7.800	39/5	4000	3900	6000	8.1	17	6.0	23
385	91	109	5.4	1.5	C202_0078 EZ702U	200	350	7.800	39/5	4000	3900	6000	14	17	6.0	26
385	102	121	6.1	1.3	C202_0078 EZ505U	200	350	7.800	39/5	4000	3900	6000	13	17	6.0	26
477	17	18	1.2	4.3	C202_0063 EZ401U	52	92	6.295	3330/529	3700	3500	5500	1.7	17	6.0	19
477	26	29	1.9	4.7	C202_0063 EZ501U	98	180	6.295	3330/529	3700	3500	5500	3.7	17	6.0	20
477	29	32	2.0	2.6	C202_0063 EZ402U	73	92	6.295	3330/529	3700	3500	5500	2.4	17	6.0	20
477	42	53	3.0	2.9	C202_0063 EZ404U	150	180	6.295	3330/529	3700	3500	5500	3.8	17	6.0	22
477	45	49	3.2	2.7	C202_0063 EZ502U	150	180	6.295	3330/529	3700	3500	5500	6.0	17	6.0	21
477	45	51	3.2	2.7	C202_0063 EZ701U	120	350	6.295	3330/529	3700	3500	5500	9.3	17	6.0	23
477	59	68	4.2	2.1	C202_0063 EZ503U	150	180	6.295	3330/529	3700	3500	5500	8.4	17	6.0	23
477	73	88	5.2	1.7	C202_0063 EZ702U	200	350	6.295	3330/529	3700	3500	5500	15	17	6.0	26
477	82	98	5.9	1.5	C202_0063 EZ505U	200	350	6.295	3330/529	3700	3500	5500	13	17	6.0	26
477	101	127	7.2	1.2	C202_0063 EZ703U	200	350	6.295	3330/529	3700	3500	5500	22	17	6.0	28
518	16	17	1.2	4.3	C202_0058 EZ401U	48	84	5.791	666/115	3700	3500	5500	1.7	17	6.0	19
518	24	26	1.8	5.0	C202_0058 EZ501U	90	170	5.791	666/115	3700	3500	5500	3.7	17	6.0	20
518	26	29	2.0	2.6	C202_0058 EZ402U	67	84	5.791	666/115	3700	3500	5500	2.4	17	6.0	20
518	39	48	3.0	3.1	C202_0058 EZ404U	130	170	5.791	666/115	3700	3500	5500	3.8	17	6.0	22
518	42	45	3.2	2.9	C202_0058 EZ502U	130	170	5.791	666/115	3700	3500	5500	6.0	17	6.0	21
518	42	47	3.2	2.9	C202_0058 EZ701U	110	350	5.791	666/115	3700	3500	5500	9.3	17	6.0	23
518	54	62	4.2	2.2	C202_0058 EZ503U	130	170	5.791	666/115	3700	3500	5500	8.4	17	6.0	23
518	67	81	5.1	1.8	C202_0058 EZ702U	200	350	5.791	666/115	3700	3500	5500	15	17	6.0	26
518	76	90	5.8	1.6	C202_0058 EZ505U	200	350	5.791	666/115	3700	3500	5500	13	17	6.0	26
518	93	117	7.1	1.3	C202_0058 EZ703U	200	350	5.791	666/115	3700	3500	5500	22	17	6.0	28
591	34	42	2.9	3.4	C202_0051 EZ404U	120	150	5.072	350/69	3700	3500	5500	4.1	17	6.0	22
591	36	39	3.1	3.1	C202_0051 EZ502U	120	150	5.072	350/69	3700	3500	5500	6.3	17	6.0	21
591	36	41	3.1	3.1	C202_0051 EZ701U	98	350	5.072	350/69	3700	3500	5500	9.6	17	6.0	23

C



# 11 C helical geared motors

## 11.2 Selection tables

$n_{2N}$	$M_{2N}$	$M_{2,0}$	$a_{th}$	S	Type	$M_{Zacc}$	$M_{2NOT}$	i	$i_{exakt}$	$n_{1max}$ DBH	$n_{1max}$ DBV	$n_{1max}$ ZB	$J_1$	$\Delta\varphi_2$	$C_2$	m
[rpm]	[Nm]	[Nm]				[Nm]	[Nm]			[rpm]	[rpm]	[rpm]	[10 <sup>-4</sup> kgm <sup>2</sup> ]	[arcmin]	[Nm/ arcmin]	[kg]
<b>C2 (<math>n_{1N} = 3000</math> rpm, <math>M_{Zacc,max} = 230</math> Nm)</b>																
591	48	55	4.1	2.4	C202_0051 EZ503U	120	150	5.072	350/69	3700	3500	5500	8.7	17	6.0	23
591	59	71	5.0	1.9	C202_0051 EZ702U	200	350	5.072	350/69	3700	3500	5500	15	17	6.0	26
591	66	79	5.7	1.7	C202_0051 EZ505U	200	350	5.072	350/69	3700	3500	5500	13	17	6.0	26
591	81	102	6.9	1.4	C202_0051 EZ703U	200	350	5.072	350/69	3700	3500	5500	23	17	6.0	28
643	31	39	2.9	3.5	C202_0047 EZ404U	110	140	4.667	14/3	3700	3500	5500	4.1	17	6.0	22
643	34	36	3.1	3.2	C202_0047 EZ502U	110	140	4.667	14/3	3700	3500	5500	6.3	17	6.0	21
643	34	38	3.1	3.3	C202_0047 EZ701U	91	340	4.667	14/3	3700	3500	5500	9.6	17	6.0	23
643	44	50	4.0	2.5	C202_0047 EZ503U	110	140	4.667	14/3	3700	3500	5500	8.7	17	6.0	23
643	54	65	5.0	2.1	C202_0047 EZ702U	190	340	4.667	14/3	3700	3500	5500	15	17	6.0	26
643	61	72	5.6	1.8	C202_0047 EZ505U	200	340	4.667	14/3	3700	3500	5500	13	17	6.0	26
643	75	94	6.8	1.5	C202_0047 EZ703U	200	340	4.667	14/3	3700	3500	5500	23	17	6.0	28
710	28	35	2.8	3.5	C202_0042 EZ404U	98	120	4.226	486/115	3500	3100	5000	4.4	17	6.0	22
710	30	33	3.0	3.2	C202_0042 EZ502U	98	120	4.226	486/115	3500	3100	5000	6.6	17	6.0	21
710	30	34	3.0	3.6	C202_0042 EZ701U	82	310	4.226	486/115	3500	3100	5000	9.9	17	6.0	23
710	40	46	3.9	2.5	C202_0042 EZ503U	98	120	4.226	486/115	3500	3100	5000	9.0	17	6.0	23
710	49	59	4.9	2.2	C202_0042 EZ702U	170	310	4.226	486/115	3500	3100	5000	15	17	6.0	26
710	55	66	5.5	1.9	C202_0042 EZ505U	200	310	4.226	486/115	3500	3100	5000	14	17	6.0	26
710	68	85	6.7	1.6	C202_0042 EZ703U	200	310	4.226	486/115	3500	3100	5000	23	17	6.0	28
772	26	32	2.8	3.5	C202_0039 EZ404U	91	110	3.888	486/125	3500	3100	5000	4.5	17	6.0	22
772	28	30	3.0	3.2	C202_0039 EZ502U	91	110	3.888	486/125	3500	3100	5000	6.7	17	6.0	21
772	28	31	3.0	3.8	C202_0039 EZ701U	75	280	3.888	486/125	3500	3100	5000	10	17	6.0	23
772	37	42	3.9	2.5	C202_0039 EZ503U	91	110	3.888	486/125	3500	3100	5000	9.1	17	6.0	23
772	45	54	4.8	2.3	C202_0039 EZ702U	150	280	3.888	486/125	3500	3100	5000	15	17	6.0	26
772	51	60	5.4	2.1	C202_0039 EZ505U	200	280	3.888	486/125	3500	3100	5000	14	17	6.0	26
772	62	78	6.6	1.7	C202_0039 EZ703U	200	280	3.888	486/125	3500	3100	5000	23	17	6.0	28
889	23	28	2.7	3.5	C202_0034 EZ404U	79	98	3.373	2250/667	3500	3100	5000	5.0	17	6.0	22
889	24	26	2.9	3.2	C202_0034 EZ502U	79	98	3.373	2250/667	3500	3100	5000	7.2	17	6.0	21
889	24	27	2.9	4.1	C202_0034 EZ701U	65	250	3.373	2250/667	3500	3100	5000	11	17	6.0	23
889	32	36	3.8	2.5	C202_0034 EZ503U	79	98	3.373	2250/667	3500	3100	5000	9.6	17	6.0	23
889	39	47	4.7	2.5	C202_0034 EZ702U	130	250	3.373	2250/667	3500	3100	5000	16	17	6.0	26
889	44	52	5.3	2.3	C202_0034 EZ505U	190	250	3.373	2250/667	3500	3100	5000	14	17	6.0	26
889	54	68	6.5	1.9	C202_0034 EZ703U	190	250	3.373	2250/667	3500	3100	5000	24	17	6.0	28
967	21	26	2.7	3.5	C202_0031 EZ404U	72	90	3.103	90/29	3500	3100	5000	5.1	17	6.0	22
967	22	24	2.9	3.2	C202_0031 EZ502U	72	90	3.103	90/29	3500	3100	5000	7.3	17	6.0	21
967	22	25	2.9	4.4	C202_0031 EZ701U	60	230	3.103	90/29	3500	3100	5000	11	17	6.0	23
967	29	33	3.7	2.5	C202_0031 EZ503U	72	90	3.103	90/29	3500	3100	5000	9.7	17	6.0	23
967	36	43	4.6	2.7	C202_0031 EZ702U	120	230	3.103	90/29	3500	3100	5000	16	17	6.0	26
967	41	48	5.2	2.4	C202_0031 EZ505U	180	230	3.103	90/29	3500	3100	5000	14	17	6.0	26
967	50	63	6.4	2.0	C202_0031 EZ703U	180	230	3.103	90/29	3500	3100	5000	24	17	6.0	28
1115	19	22	2.8	4.8	C202_0027 EZ701U	52	200	2.690	495/184	3000	2600	4500	11	17	6.0	23
1115	31	38	4.5	3.0	C202_0027 EZ702U	110	200	2.690	495/184	3000	2600	4500	17	17	6.0	26
1115	35	42	5.1	2.6	C202_0027 EZ505U	160	200	2.690	495/184	3000	2600	4500	15	17	6.0	26
1115	43	54	6.2	2.2	C202_0027 EZ703U	160	200	2.690	495/184	3000	2600	4500	24	17	6.0	28
1212	29	35	4.5	3.1	C202_0025 EZ702U	98	180	2.475	99/40	3000	2600	4500	17	17	6.0	26
1212	32	38	5.0	2.8	C202_0025 EZ505U	140	180	2.475	99/40	3000	2600	4500	15	17	6.0	26
1212	40	50	6.1	2.3	C202_0025 EZ703U	140	180	2.475	99/40	3000	2600	4500	25	17	6.0	28
1374	15	18	2.5	3.5	C202_0022 EZ404U	51	64	2.184	2160/989	3000	2600	4500	6.7	17	6.0	22
1374	16	17	2.7	3.2	C202_0022 EZ502U	51	64	2.184	2160/989	3000	2600	4500	8.9	17	6.0	21
1374	16	18	2.7	3.2	C202_0022 EZ701U	42	64	2.184	2160/989	3000	2600	4500	12	17	6.0	23
1374	21	24	3.5	2.5	C202_0022 EZ503U	51	64	2.184	2160/989	3000	2600	4500	11	17	6.0	23
1374	25	31	4.4	3.4	C202_0022 EZ702U	87	160	2.184	2160/989	3000	2600	4500	17	17	6.0	26
1374	29	34	4.9	3.0	C202_0022 EZ505U	130	160	2.184	2160/989	3000	2600	4500	16	17	6.0	26
1374	35	44	6.0	2.5	C202_0022 EZ703U	130	160	2.184	2160/989	3000	2600	4500	25	17	6.0	28
1374	45	64	7.8	1.9	C202_0022 EZ705U	160	350	2.184	2160/989	3000	2600	4500	38	17	6.0	33
1493	13	17	2.5	3.5	C202_0020 EZ404U	47	58	2.009	432/215	3000	2600	4500	6.9	17	6.0	22
1493	14	16	2.7	3.2	C202_0020 EZ502U	47	58	2.009	432/215	3000	2600	4500	9.1	17	6.0	21
1493	14	16	2.7	3.2	C202_0020 EZ701U	39	58	2.009	432/215	3000	2600	4500	12	17	6.0	23
1493	19	22	3.5	2.5	C202_0020 EZ503U	47	58	2.009	432/215	3000	2600	4500	11	17	6.0	23
1493	23	28	4.3	3.6	C202_0020 EZ702U	80	150	2.009	432/215	3000	2600	4500	18	17	6.0	26



11 C helical geared motors  
11.2 Selection tables



$n_{2N}$	$M_{2N}$	$M_{2,0}$	$a_{in}$	S	Type	$M_{2acc}$	$M_{2NOT}$	i	$i_{exakt}$	$n_{1max}$ DBH	$n_{1max}$ DBV	$n_{1max}$ ZB	$J_1$ [10 <sup>-4</sup> kgm <sup>2</sup> ]	$\Delta\varphi_2$ [arcmin]	$C_2$ [Nm/ arcmin]	m
[rpm]	[Nm]	[Nm]				[Nm]	[Nm]			[rpm]	[rpm]	[rpm]				[kg]
<b>C2 (<math>n_{1N} = 3000</math> rpm, <math>M_{2acc,max} = 230</math> Nm)</b>																
1493	26	31	4.9	3.2	C202_0020 EZ505U	120	150	2.009	432/215	3000	2600	4500	16	17	6.0	26
1493	32	41	5.9	2.6	C202_0020 EZ703U	120	150	2.009	432/215	3000	2600	4500	26	17	6.0	28
1493	42	59	7.7	2.0	C202_0020 EZ705U	160	350	2.009	432/215	3000	2600	4500	38	17	6.0	33
<b>C2 (<math>n_{1N} = 4500</math> rpm, <math>M_{2acc,max} = 230</math> Nm)</b>																
383	108	175	4.1	1.6	C202_0120 EZ505U	230	400	11.76	294/25	3500	3100	5000	13	14	8.3	26
439	95	152	4.0	1.7	C202_0105 EZ505U	230	400	10.26	513/50	3500	3100	5000	13	14	8.3	26
479	87	139	4.0	1.8	C202_0094 EZ505U	230	400	9.387	2450/261	3500	3100	5000	14	14	8.3	26
549	75	122	3.9	2.0	C202_0082 EZ505U	230	400	8.190	475/58	3500	3100	5000	14	14	8.3	26
549	96	159	5.0	1.6	C202_0082 EZ703U	230	400	8.190	475/58	3500	3100	5000	23	14	8.3	28
577	72	116	4.9	1.6	C202_0078 EZ505U	200	350	7.800	39/5	4000	3900	6000	13	17	6.0	26
577	92	151	6.2	1.3	C202_0078 EZ703U	200	350	7.800	39/5	4000	3900	6000	22	17	6.0	28
715	58	93	4.7	1.9	C202_0063 EZ505U	200	350	6.295	3330/529	3700	3500	5500	13	17	6.0	26
715	74	122	6.0	1.5	C202_0063 EZ703U	200	350	6.295	3330/529	3700	3500	5500	22	17	6.0	28
777	53	86	4.7	2.0	C202_0058 EZ505U	200	350	5.791	666/115	3700	3500	5500	13	17	6.0	26
777	68	112	5.9	1.5	C202_0058 EZ703U	200	350	5.791	666/115	3700	3500	5500	22	17	6.0	28
887	47	75	4.6	2.1	C202_0051 EZ505U	200	350	5.072	350/69	3700	3500	5500	13	17	6.0	26
887	60	98	5.8	1.7	C202_0051 EZ703U	200	350	5.072	350/69	3700	3500	5500	23	17	6.0	28
964	43	69	4.5	2.3	C202_0047 EZ505U	200	340	4.667	14/3	3700	3500	5500	13	17	6.0	26
964	55	91	5.7	1.8	C202_0047 EZ703U	200	340	4.667	14/3	3700	3500	5500	23	17	6.0	28
1065	39	63	4.4	2.4	C202_0042 EZ505U	200	310	4.226	486/115	3500	3100	5000	14	17	6.0	26
1065	50	82	5.6	1.9	C202_0042 EZ703U	200	310	4.226	486/115	3500	3100	5000	23	17	6.0	28
1157	36	58	4.4	2.6	C202_0039 EZ505U	200	280	3.888	486/125	3500	3100	5000	14	17	6.0	26
1157	46	75	5.6	2.0	C202_0039 EZ703U	200	280	3.888	486/125	3500	3100	5000	23	17	6.0	28
1334	31	50	4.3	2.8	C202_0034 EZ505U	190	250	3.373	2250/667	3500	3100	5000	14	17	6.0	26
1334	40	65	5.4	2.2	C202_0034 EZ703U	190	250	3.373	2250/667	3500	3100	5000	24	17	6.0	28
1450	29	46	4.2	3.0	C202_0031 EZ505U	180	230	3.103	90/29	3500	3100	5000	14	17	6.0	26
1450	36	60	5.4	2.3	C202_0031 EZ703U	180	230	3.103	90/29	3500	3100	5000	24	17	6.0	28
1673	25	40	4.1	3.3	C202_0027 EZ505U	160	200	2.690	495/184	3000	2600	4500	15	17	6.0	26
1673	32	52	5.2	2.6	C202_0027 EZ703U	160	200	2.690	495/184	3000	2600	4500	24	17	6.0	28
1818	23	37	4.0	3.5	C202_0025 EZ505U	140	180	2.475	99/40	3000	2600	4500	15	17	6.0	26
1818	29	48	5.2	2.7	C202_0025 EZ703U	140	180	2.475	99/40	3000	2600	4500	25	17	6.0	28
2060	20	32	4.0	3.8	C202_0022 EZ505U	130	160	2.184	2160/989	3000	2600	4500	16	17	6.0	26
2060	26	42	5.1	2.9	C202_0022 EZ703U	130	160	2.184	2160/989	3000	2600	4500	25	17	6.0	28
2060	35	64	6.8	2.2	C202_0022 EZ705U	160	350	2.184	2160/989	3000	2600	4500	38	17	6.0	33
2240	19	30	3.9	4.0	C202_0020 EZ505U	120	150	2.009	432/215	3000	2600	4500	16	17	6.0	26
2240	24	39	5.0	3.1	C202_0020 EZ703U	120	150	2.009	432/215	3000	2600	4500	26	17	6.0	28
2240	32	58	6.7	2.3	C202_0020 EZ705U	160	350	2.009	432/215	3000	2600	4500	38	17	6.0	33
<b>C2 (<math>n_{1N} = 6000</math> rpm, <math>M_{2acc,max} = 230</math> Nm)</b>																
65	133	148	1.5	1.5	C203_0920 EZ302U	230	400	92.40	29939/324	4000	3900	6000	0.36	14	8.3	22
74	116	129	1.4	1.7	C203_0810 EZ302U	230	400	80.62	11609/144	4000	3900	6000	0.36	14	8.3	22
74	151	173	1.9	1.3	C203_0810 EZ303U	230	400	80.62	11609/144	4000	3900	6000	0.47	14	8.3	22
85	102	115	1.3	2.0	C202_0700 EZ302U	230	310	70.32	7595/108	4000	3900	6000	0.36	14	8.3	17
85	134	153	1.8	1.5	C202_0700 EZ303U	230	310	70.32	7595/108	4000	3900	6000	0.47	14	8.3	18
98	89	100	1.3	2.1	C202_0610 EZ302U	220	270	61.35	2945/48	4000	3900	6000	0.36	14	8.3	17
98	117	134	1.8	1.6	C202_0610 EZ303U	220	270	61.35	2945/48	4000	3900	6000	0.47	14	8.3	18
98	137	167	2.1	1.4	C202_0610 EZ401U	220	270	61.35	2945/48	4000	3900	6000	1.0	14	8.3	19
106	82	92	1.2	2.4	C202_0560 EZ302U	230	290	56.42	1862/33	4000	3900	6000	0.39	14	8.3	17
106	107	123	1.6	1.9	C202_0560 EZ303U	230	290	56.42	1862/33	4000	3900	6000	0.50	14	8.3	18
106	126	153	1.8	1.6	C202_0560 EZ401U	230	400	56.42	1862/33	4000	3900	6000	1.0	14	8.3	19
122	72	80	1.1	2.8	C202_0490 EZ302U	200	260	49.23	1083/22	4000	3900	6000	0.39	14	8.3	17
122	94	107	1.5	2.1	C202_0490 EZ303U	200	260	49.23	1083/22	4000	3900	6000	0.50	14	8.3	18
122	110	134	1.7	1.8	C202_0490 EZ401U	230	400	49.23	1083/22	4000	3900	6000	1.0	14	8.3	19
128	68	76	1.1	2.9	C202_0470 EZ302U	200	240	46.82	2107/45	4000	3900	6000	0.43	14	8.3	17
128	89	102	1.4	2.2	C202_0470 EZ303U	200	240	46.82	2107/45	4000	3900	6000	0.54	14	8.3	18
128	104	127	1.7	1.9	C202_0470 EZ401U	230	400	46.82	2107/45	4000	3900	6000	1.1	14	8.3	19
147	59	67	1.0	2.9	C202_0410 EZ302U	170	210	40.85	817/20	4000	3900	6000	0.43	14	8.3	17
147	78	89	1.3	2.2	C202_0410 EZ303U	170	210	40.85	817/20	4000	3900	6000	0.54	14	8.3	18
147	91	111	1.6	2.2	C202_0410 EZ401U	230	400	40.85	817/20	4000	3900	6000	1.1	14	8.3	19
147	135	174	2.3	1.5	C202_0410 EZ501U	230	400	40.85	817/20	4000	3900	6000	3.0	14	8.3	20

C



# 11 C helical geared motors

## 11.2 Selection tables



$n_{2N}$	$M_{2N}$	$M_{2,0}$	$a_{th}$	S	Type	$M_{2acc}$	$M_{2NOT}$	i	$i_{exakt}$	$n_{1max}$ DBH	$n_{1max}$ DBV	$n_{1max}$ ZB	$J_1$	$\Delta\varphi_2$	$C_2$	m
[rpm]	[Nm]	[Nm]				[Nm]	[Nm]			[rpm]	[rpm]	[rpm]	[10 <sup>-4</sup> kgm <sup>2</sup> ]	[arcmin]	[Nm/ arcmin]	[kg]
<b>C2 (<math>n_{1N} = 6000</math> rpm, <math>M_{2acc,max} = 230</math> Nm)</b>																
171	51	57	0.9	3.6	C202_0350 EZ302U	170	230	35.18	1372/39	4000	3900	6000	0.52	14	8.3	17
171	67	77	1.2	2.8	C202_0350 EZ303U	180	230	35.18	1372/39	4000	3900	6000	0.63	14	8.3	18
171	78	96	1.5	2.5	C202_0350 EZ401U	230	400	35.18	1372/39	4000	3900	6000	1.2	14	8.3	19
171	116	150	2.2	1.7	C202_0350 EZ501U	230	400	35.18	1372/39	4000	3900	6000	3.1	14	8.3	20
171	119	167	2.2	1.7	C202_0350 EZ402U	230	400	35.18	1372/39	4000	3900	6000	1.9	14	8.3	20
195	45	50	0.9	3.6	C202_0310 EZ302U	150	200	30.69	399/13	4000	3900	6000	0.52	14	8.3	17
195	58	67	1.2	2.8	C202_0310 EZ303U	160	200	30.69	399/13	4000	3900	6000	0.63	14	8.3	18
195	68	83	1.4	2.9	C202_0310 EZ401U	230	380	30.69	399/13	4000	3900	6000	1.2	14	8.3	19
195	101	131	2.0	2.0	C202_0310 EZ501U	230	400	30.69	399/13	4000	3900	6000	3.1	14	8.3	20
195	104	146	2.1	1.9	C202_0310 EZ402U	230	380	30.69	399/13	4000	3900	6000	1.9	14	8.3	20
212	41	46	0.9	4.0	C202_0280 EZ302U	140	210	28.24	4067/144	4000	3900	6000	0.61	14	8.3	17
212	54	62	1.1	3.1	C202_0280 EZ303U	160	210	28.24	4067/144	4000	3900	6000	0.72	14	8.3	18
212	63	77	1.3	3.2	C202_0280 EZ401U	230	400	28.24	4067/144	4000	3900	6000	1.2	14	8.3	19
212	93	121	1.9	2.1	C202_0280 EZ501U	230	400	28.24	4067/144	4000	3900	6000	3.2	14	8.3	20
212	96	134	2.0	2.1	C202_0280 EZ402U	230	400	28.24	4067/144	4000	3900	6000	1.9	14	8.3	20
243	36	40	0.8	4.0	C202_0250 EZ302U	120	180	24.64	1577/64	4000	3900	6000	0.61	14	8.3	17
243	47	54	1.1	3.1	C202_0250 EZ303U	140	180	24.64	1577/64	4000	3900	6000	0.72	14	8.3	18
243	55	67	1.2	3.6	C202_0250 EZ401U	200	360	24.64	1577/64	4000	3900	6000	1.3	14	8.3	19
243	81	105	1.8	2.4	C202_0250 EZ501U	230	400	24.64	1577/64	4000	3900	6000	3.2	14	8.3	20
243	84	117	1.9	2.3	C202_0250 EZ402U	230	360	24.64	1577/64	4000	3900	6000	2.0	14	8.3	20
254	34	38	0.8	4.0	C202_0240 EZ302U	110	170	23.59	637/27	4000	3900	6000	0.71	14	8.3	17
254	45	51	1.1	3.1	C202_0240 EZ303U	140	170	23.59	637/27	4000	3900	6000	0.82	14	8.3	18
254	53	64	1.2	3.7	C202_0240 EZ401U	190	340	23.59	637/27	4000	3900	6000	1.3	14	8.3	19
254	78	101	1.8	2.5	C202_0240 EZ501U	230	400	23.59	637/27	4000	3900	6000	3.3	14	8.3	20
254	80	112	1.9	2.4	C202_0240 EZ402U	230	340	23.59	637/27	4000	3900	6000	2.0	14	8.3	20
292	30	34	0.8	4.0	C202_0210 EZ302U	100	150	20.58	247/12	4000	3900	6000	0.71	14	8.3	17
292	39	45	1.0	3.1	C202_0210 EZ303U	120	150	20.58	247/12	4000	3900	6000	0.82	14	8.3	18
292	46	56	1.2	4.0	C202_0210 EZ401U	170	300	20.58	247/12	4000	3900	6000	1.4	14	8.3	19
292	68	88	1.8	2.7	C202_0210 EZ501U	230	400	20.58	247/12	4000	3900	6000	3.3	14	8.3	20
292	70	98	1.8	2.6	C202_0210 EZ402U	230	300	20.58	247/12	4000	3900	6000	2.1	14	8.3	20
292	104	156	2.7	1.8	C202_0210 EZ502U	230	400	20.58	247/12	4000	3900	6000	5.6	14	8.3	21
292	104	158	2.7	1.8	C202_0210 EZ701U	230	400	20.58	247/12	4000	3900	6000	8.9	14	8.3	23
292	116	168	3.0	1.6	C202_0210 EZ404U	230	400	20.58	247/12	4000	3900	6000	3.4	14	8.3	22
769	11	13	0.9	4.0	C202_0078 EZ302U	38	57	7.800	39/5	4000	3900	6000	0.80	17	6.0	17
769	15	17	1.1	3.1	C202_0078 EZ303U	45	57	7.800	39/5	4000	3900	6000	0.91	17	6.0	18
769	17	21	1.3	2.6	C202_0078 EZ401U	45	57	7.800	39/5	4000	3900	6000	1.4	17	6.0	19
769	26	33	1.9	4.1	C202_0078 EZ501U	120	220	7.800	39/5	4000	3900	6000	3.4	17	6.0	20
769	26	37	2.0	3.4	C202_0078 EZ402U	91	110	7.800	39/5	4000	3900	6000	2.1	17	6.0	20
769	39	59	3.0	2.7	C202_0078 EZ502U	170	220	7.800	39/5	4000	3900	6000	5.7	17	6.0	21
769	39	60	3.0	2.7	C202_0078 EZ701U	150	350	7.800	39/5	4000	3900	6000	9.0	17	6.0	23
769	44	64	3.3	2.4	C202_0078 EZ404U	170	220	7.800	39/5	4000	3900	6000	3.5	17	6.0	22
769	47	80	3.5	2.2	C202_0078 EZ503U	170	220	7.800	39/5	4000	3900	6000	8.1	17	6.0	23
769	54	108	4.1	1.9	C202_0078 EZ702U	200	350	7.800	39/5	4000	3900	6000	14	17	6.0	26
<b>C3 (<math>n_{1N} = 2000</math> rpm, <math>M_{2acc,max} = 320</math> Nm)</b>																
516	164	249	10	1.2	C302_0039 EZ805U	320	550	3.878	190/49	3200	2800	4500	135	16	7.1	66
597	142	215	10	1.3	C302_0034 EZ805U	310	550	3.352	429/128	3200	2800	4500	136	16	7.1	66
643	132	199	9.8	1.4	C302_0031 EZ805U	300	550	3.110	1045/336	3200	2800	4500	136	16	7.1	66
739	115	173	9.6	1.5	C302_0027 EZ805U	290	520	2.705	1677/620	2700	2300	4000	138	16	7.1	66
797	106	161	9.5	1.6	C302_0025 EZ805U	280	490	2.510	1634/651	2700	2300	4000	138	16	7.1	66
919	92	140	9.3	1.8	C302_0022 EZ805U	270	420	2.177	468/215	2700	2300	4000	139	16	7.1	66
990	86	130	9.2	1.8	C302_0020 EZ805U	260	390	2.020	608/301	2700	2300	4000	140	16	7.1	66
<b>C3 (<math>n_{1N} = 3000</math> rpm, <math>M_{2acc,max} = 400</math> Nm)</b>																
22	209	220	1.2	1.7	C303_1370 EZ302U	350	700	137.2	59267/432	3800	3500	5500	0.36	13	8.7	26
27	167	176	1.1	2.1	C303_1100 EZ302U	350	700	109.6	94705/864	3800	3500	5500	0.37	13	8.7	26
27	217	229	1.4	1.6	C303_1100 EZ303U	350	700	109.6	94705/864	3800	3500	5500	0.48	13	8.7	27
33	140	148	1.0	2.5	C303_0920 EZ302U	350	590	91.93	39715/432	3800	3500	5500	0.38	13	8.7	26
33	182	192	1.3	1.9	C303_0920 EZ303U	350	590	91.93	39715/432	3800	3500	5500	0.49	13	8.7	27
33	246	264	1.8	1.4	C303_0920 EZ401U	350	590	91.93	39715/432	3800	3500	5500	1.0	13	8.7	28
37	124	131	0.9	2.8	C303_0810 EZ302U	390	520	81.47	1222/15	3800	3500	5500	0.38	13	8.7	26



11 C helical geared motors  
11.2 Selection tables



$n_{2N}$	$M_{2N}$	$M_{2,0}$	$a_{in}$	S	Type	$M_{2acc}$	$M_{2NOT}$	i	$i_{exakt}$	$n_{1max}$ DBH	$n_{1max}$ DBV	$n_{1max}$ ZB	$J_1$ [10 <sup>-4</sup> kgm <sup>2</sup> ]	$\Delta\varphi_2$ [arcmin]	$C_2$ [Nm/ arcmin]	m [kg]
[rpm]	[Nm]	[Nm]				[Nm]	[Nm]			[rpm]	[rpm]	[rpm]				
<b>C3 (<math>n_{1N} = 3000</math> rpm, <math>M_{2acc,max} = 400</math> Nm)</b>																
37	161	171	1.2	2.2	C303_0810 EZ303U	400	520	81.47	1222/15	3800	3500	5500	0.49	13	8.7	27
37	218	234	1.7	1.6	C303_0810 EZ401U	400	520	81.47	1222/15	3800	3500	5500	1.0	13	8.7	28
48	258	282	2.4	1.3	C302_0620 EZ501U	400	530	61.92	1548/25	3800	3500	5500	3.0	13	8.7	25
53	234	256	2.1	1.5	C302_0560 EZ501U	350	700	56.14	1235/22	3800	3500	5500	3.1	13	8.7	25
60	207	227	2.0	1.7	C302_0500 EZ501U	400	700	49.75	2736/55	3800	3500	5500	3.1	13	8.7	25
64	195	213	2.0	1.8	C302_0470 EZ501U	350	700	46.67	140/3	3800	3500	5500	3.1	13	8.7	25
73	172	189	1.8	2.0	C302_0410 EZ501U	400	700	41.35	2688/65	3800	3500	5500	3.1	13	8.7	25
86	146	160	1.7	2.4	C302_0350 EZ501U	350	700	35.03	1261/36	3800	3500	5500	3.3	13	8.7	25
97	129	142	1.6	2.7	C302_0310 EZ501U	400	700	31.04	776/25	3800	3500	5500	3.3	13	8.7	25
97	223	241	2.7	1.6	C302_0310 EZ502U	400	700	31.04	776/25	3800	3500	5500	5.6	13	8.7	27
97	223	250	2.7	1.6	C302_0310 EZ701U	400	700	31.04	776/25	3800	3500	5500	8.9	13	8.7	28
107	117	128	1.5	3.0	C302_0280 EZ501U	350	700	27.99	2015/72	3800	3500	5500	3.4	13	8.7	25
107	201	217	2.6	1.7	C302_0280 EZ502U	350	700	27.99	2015/72	3800	3500	5500	5.7	13	8.7	27
107	201	225	2.6	1.7	C302_0280 EZ701U	350	700	27.99	2015/72	3800	3500	5500	9.0	13	8.7	28
121	103	113	1.4	3.4	C302_0250 EZ501U	380	670	24.80	124/5	3800	3500	5500	3.4	13	8.7	25
121	178	192	2.5	2.0	C302_0250 EZ502U	400	670	24.80	124/5	3800	3500	5500	5.7	13	8.7	27
121	178	200	2.5	2.0	C302_0250 EZ701U	400	700	24.80	124/5	3800	3500	5500	9.0	13	8.7	28
121	233	267	3.2	1.5	C302_0250 EZ503U	400	670	24.80	124/5	3800	3500	5500	8.1	13	8.7	28
128	98	107	1.4	3.6	C302_0230 EZ501U	350	680	23.47	845/36	3800	3500	5500	3.6	13	8.7	25
128	168	182	2.4	2.1	C302_0230 EZ502U	350	680	23.47	845/36	3800	3500	5500	5.9	13	8.7	27
128	168	189	2.4	2.1	C302_0230 EZ701U	350	700	23.47	845/36	3800	3500	5500	9.2	13	8.7	28
128	221	253	3.1	1.6	C302_0230 EZ503U	350	680	23.47	845/36	3800	3500	5500	8.3	13	8.7	28
144	87	95	1.3	4.0	C302_0210 EZ501U	320	610	20.80	104/5	3800	3500	5500	3.6	13	8.7	25
144	149	161	2.2	2.3	C302_0210 EZ502U	400	610	20.80	104/5	3800	3500	5500	5.9	13	8.7	27
144	149	167	2.2	2.3	C302_0210 EZ701U	400	700	20.80	104/5	3800	3500	5500	9.2	13	8.7	28
144	196	224	2.9	1.8	C302_0210 EZ503U	400	610	20.80	104/5	3800	3500	5500	8.3	13	8.7	28
144	242	291	3.6	1.4	C302_0210 EZ702U	400	700	20.80	104/5	3800	3500	5500	14	13	8.7	31
171	73	80	1.2	4.7	C302_0175 EZ501U	270	510	17.54	1105/63	3500	3100	5000	4.0	13	8.7	25
171	126	136	2.1	2.7	C302_0175 EZ502U	350	510	17.54	1105/63	3500	3100	5000	6.3	13	8.7	27
171	126	141	2.1	2.7	C302_0175 EZ701U	340	700	17.54	1105/63	3500	3100	5000	9.6	13	8.7	28
171	165	189	2.8	2.1	C302_0175 EZ503U	350	510	17.54	1105/63	3500	3100	5000	8.7	13	8.7	28
171	204	245	3.4	1.7	C302_0175 EZ702U	350	700	17.54	1105/63	3500	3100	5000	15	13	8.7	31
193	112	121	2.1	2.9	C302_0155 EZ502U	360	450	15.54	544/35	3500	3100	5000	6.3	13	8.7	27
193	112	125	2.1	2.9	C302_0155 EZ701U	300	700	15.54	544/35	3500	3100	5000	9.6	13	8.7	28
193	146	167	2.7	2.2	C302_0155 EZ503U	360	450	15.54	544/35	3500	3100	5000	8.7	13	8.7	28
193	181	217	3.4	1.8	C302_0155 EZ702U	400	700	15.54	544/35	3500	3100	5000	15	13	8.7	31
193	204	241	3.8	1.6	C302_0155 EZ505U	400	700	15.54	544/35	3500	3100	5000	13	13	8.7	31
214	100	113	2.0	3.2	C302_0140 EZ701U	270	700	13.99	2015/144	3500	3100	5000	10	13	8.7	28
214	163	195	3.3	1.9	C302_0140 EZ702U	350	700	13.99	2015/144	3500	3100	5000	15	13	8.7	31
214	183	217	3.7	1.7	C302_0140 EZ505U	350	700	13.99	2015/144	3500	3100	5000	14	13	8.7	31
242	89	100	2.0	3.4	C302_0125 EZ701U	240	700	12.40	62/5	3500	3100	5000	10	13	8.7	28
242	144	173	3.2	2.1	C302_0125 EZ702U	400	700	12.40	62/5	3500	3100	5000	15	13	8.7	31
242	162	192	3.6	1.9	C302_0125 EZ505U	400	700	12.40	62/5	3500	3100	5000	14	13	8.7	31
242	198	250	4.4	1.5	C302_0125 EZ703U	400	700	12.40	62/5	3500	3100	5000	23	13	8.7	33
258	83	93	2.0	3.6	C302_0115 EZ701U	230	700	11.61	325/28	3200	2800	4500	10	13	8.7	28
258	135	162	3.2	2.2	C302_0115 EZ702U	350	700	11.61	325/28	3200	2800	4500	16	13	8.7	31
258	152	180	3.6	2.0	C302_0115 EZ505U	350	700	11.61	325/28	3200	2800	4500	14	13	8.7	31
258	186	234	4.4	1.6	C302_0115 EZ703U	350	700	11.61	325/28	3200	2800	4500	24	13	8.7	33
292	74	83	1.9	3.9	C302_0105 EZ701U	200	700	10.29	72/7	3200	2800	4500	10	13	8.7	28
292	120	144	3.1	2.4	C302_0105 EZ702U	400	700	10.29	72/7	3200	2800	4500	16	13	8.7	31
292	135	160	3.5	2.1	C302_0105 EZ505U	400	700	10.29	72/7	3200	2800	4500	14	13	8.7	31
292	165	208	4.3	1.7	C302_0105 EZ703U	400	700	10.29	72/7	3200	2800	4500	24	13	8.7	33
292	213	301	5.6	1.3	C302_0105 EZ705U	400	700	10.29	72/7	3200	2800	4500	36	13	8.7	38
322	67	75	1.9	4.1	C302_0093 EZ701U	180	680	9.310	3575/384	3200	2800	4500	11	13	8.7	28
322	108	130	3.1	2.6	C302_0093 EZ702U	350	680	9.310	3575/384	3200	2800	4500	16	13	8.7	31
322	122	144	3.5	2.3	C302_0093 EZ505U	350	680	9.310	3575/384	3200	2800	4500	15	13	8.7	31
322	149	188	4.2	1.9	C302_0093 EZ703U	350	680	9.310	3575/384	3200	2800	4500	24	13	8.7	33
364	59	66	1.9	4.5	C302_0083 EZ701U	160	600	8.250	33/4	3200	2800	4500	11	13	8.7	28
364	96	115	3.0	2.8	C302_0083 EZ702U	330	600	8.250	33/4	3200	2800	4500	16	13	8.7	31

C



# 11 C helical geared motors

## 11.2 Selection tables

$n_{2N}$	$M_{2N}$	$M_{2,0}$	$a_{th}$	S	Type	$M_{Zacc}$	$M_{2NOT}$	i	$i_{exakt}$	$n_{1max}$ DBH	$n_{1max}$ DBV	$n_{1max}$ ZB	$J_1$	$\Delta\varphi_2$	$C_2$	m
[rpm]	[Nm]	[Nm]				[Nm]	[Nm]			[rpm]	[rpm]	[rpm]	[10 <sup>-4</sup> kgm <sup>2</sup> ]	[arcmin]	[Nm/ arcmin]	[kg]
<b>C3 (<math>n_{1N} = 3000</math> rpm, <math>M_{Zacc,max} = 400</math> Nm)</b>																
364	108	128	3.4	2.5	C302_0083 EZ505U	400	600	8.250	33/4	3200	2800	4500	15	13	8.7	31
364	132	166	4.1	2.0	C302_0083 EZ703U	400	600	8.250	33/4	3200	2800	4500	24	13	8.7	33
364	170	242	5.4	1.6	C302_0083 EZ705U	400	700	8.250	33/4	3200	2800	4500	37	13	8.7	38
364	178	297	5.6	1.5	C302_0083 EZ802U	400	700	8.250	33/4	3200	2800	4500	61	13	8.7	47
383	56	61	2.2	3.2	C302_0078 EZ502U	180	230	7.841	494/63	3800	3500	5500	6.1	16	7.1	27
383	56	63	2.2	3.9	C302_0078 EZ701U	150	470	7.841	494/63	3800	3500	5500	9.4	16	7.1	28
383	74	84	2.9	2.5	C302_0078 EZ503U	180	230	7.841	494/63	3800	3500	5500	8.5	16	7.1	28
383	91	110	3.6	2.4	C302_0078 EZ702U	310	470	7.841	494/63	3800	3500	5500	15	16	7.1	31
383	103	122	4.1	2.1	C302_0078 EZ505U	330	470	7.841	494/63	3800	3500	5500	13	16	7.1	31
383	125	158	5.0	1.7	C302_0078 EZ703U	330	470	7.841	494/63	3800	3500	5500	22	16	7.1	33
383	162	230	6.4	1.3	C302_0078 EZ705U	330	550	7.841	494/63	3800	3500	5500	35	16	7.1	38
475	45	49	2.1	3.2	C302_0063 EZ502U	150	180	6.314	221/35	3500	3100	5000	6.6	16	7.1	27
475	45	51	2.1	4.5	C302_0063 EZ701U	120	430	6.314	221/35	3500	3100	5000	9.9	16	7.1	28
475	59	68	2.8	2.5	C302_0063 EZ503U	150	180	6.314	221/35	3500	3100	5000	8.9	16	7.1	28
475	73	88	3.5	2.7	C302_0063 EZ702U	250	430	6.314	221/35	3500	3100	5000	15	16	7.1	31
475	83	98	3.9	2.4	C302_0063 EZ505U	330	430	6.314	221/35	3500	3100	5000	14	16	7.1	31
475	101	127	4.8	2.0	C302_0063 EZ703U	330	430	6.314	221/35	3500	3100	5000	23	16	7.1	33
475	130	185	6.2	1.5	C302_0063 EZ705U	330	550	6.314	221/35	3500	3100	5000	35	16	7.1	38
475	137	227	6.5	1.5	C302_0063 EZ802U	330	550	6.314	221/35	3500	3100	5000	59	16	7.1	47
512	42	45	2.1	3.2	C302_0059 EZ502U	140	170	5.859	2584/441	3500	3100	5000	6.6	16	7.1	27
512	42	47	2.1	4.7	C302_0059 EZ701U	110	400	5.859	2584/441	3500	3100	5000	9.9	16	7.1	28
512	55	63	2.8	2.5	C302_0059 EZ503U	140	170	5.859	2584/441	3500	3100	5000	9.0	16	7.1	28
512	68	82	3.4	2.9	C302_0059 EZ702U	230	400	5.859	2584/441	3500	3100	5000	15	16	7.1	31
512	77	91	3.9	2.6	C302_0059 EZ505U	320	400	5.859	2584/441	3500	3100	5000	14	16	7.1	31
512	94	118	4.7	2.1	C302_0059 EZ703U	320	400	5.859	2584/441	3500	3100	5000	23	16	7.1	33
512	121	172	6.1	1.6	C302_0059 EZ705U	330	550	5.859	2584/441	3500	3100	5000	35	16	7.1	38
512	127	211	6.4	1.6	C302_0059 EZ802U	330	550	5.859	2584/441	3500	3100	5000	59	16	7.1	47
595	59	70	3.4	3.2	C302_0050 EZ702U	200	370	5.038	403/80	3500	3100	5000	16	16	7.1	31
595	66	78	3.8	2.8	C302_0050 EZ505U	290	370	5.038	403/80	3500	3100	5000	14	16	7.1	31
595	81	102	4.6	2.3	C302_0050 EZ703U	290	370	5.038	403/80	3500	3100	5000	24	16	7.1	33
595	104	148	6.0	1.8	C302_0050 EZ705U	330	550	5.038	403/80	3500	3100	5000	36	16	7.1	38
595	109	181	6.2	1.7	C302_0050 EZ802U	330	550	5.038	403/80	3500	3100	5000	60	16	7.1	47
595	130	236	7.4	1.4	C302_0050 EZ803U	330	550	5.038	403/80	3500	3100	5000	85	16	7.1	53
642	54	65	3.3	3.4	C302_0047 EZ702U	190	340	4.675	589/126	3500	3100	5000	16	16	7.1	31
642	61	73	3.7	3.0	C302_0047 EZ505U	270	340	4.675	589/126	3500	3100	5000	14	16	7.1	31
642	75	94	4.6	2.4	C302_0047 EZ703U	270	340	4.675	589/126	3500	3100	5000	24	16	7.1	33
642	97	137	5.9	1.9	C302_0047 EZ705U	330	550	4.675	589/126	3500	3100	5000	36	16	7.1	38
642	101	168	6.2	1.8	C302_0047 EZ802U	330	550	4.675	589/126	3500	3100	5000	60	16	7.1	47
642	121	219	7.3	1.5	C302_0047 EZ803U	330	550	4.675	589/126	3500	3100	5000	85	16	7.1	53
718	49	58	3.2	3.6	C302_0042 EZ702U	170	300	4.179	117/28	3200	2800	4500	16	16	7.1	31
718	55	65	3.7	3.2	C302_0042 EZ505U	240	300	4.179	117/28	3200	2800	4500	15	16	7.1	31
718	67	84	4.5	2.6	C302_0042 EZ703U	240	300	4.179	117/28	3200	2800	4500	24	16	7.1	33
718	86	122	5.8	2.0	C302_0042 EZ705U	330	550	4.179	117/28	3200	2800	4500	37	16	7.1	38
718	90	150	6.0	1.9	C302_0042 EZ802U	330	550	4.179	117/28	3200	2800	4500	61	16	7.1	47
718	108	195	7.2	1.6	C302_0042 EZ803U	330	550	4.179	117/28	3200	2800	4500	86	16	7.1	53
774	45	54	3.2	3.8	C302_0039 EZ702U	150	280	3.878	190/49	3200	2800	4500	16	16	7.1	31
774	51	60	3.6	3.4	C302_0039 EZ505U	230	280	3.878	190/49	3200	2800	4500	15	16	7.1	31
774	62	78	4.4	2.8	C302_0039 EZ703U	230	280	3.878	190/49	3200	2800	4500	24	16	7.1	33
774	80	114	5.7	2.1	C302_0039 EZ705U	320	550	3.878	190/49	3200	2800	4500	37	16	7.1	38
774	84	140	6.0	2.0	C302_0039 EZ802U	320	550	3.878	190/49	3200	2800	4500	61	16	7.1	47
774	100	181	7.1	1.7	C302_0039 EZ803U	320	550	3.878	190/49	3200	2800	4500	86	16	7.1	53
895	39	47	3.1	4.2	C302_0034 EZ702U	130	240	3.352	429/128	3200	2800	4500	17	16	7.1	31
895	44	52	3.5	3.7	C302_0034 EZ505U	200	240	3.352	429/128	3200	2800	4500	16	16	7.1	31
895	54	68	4.3	3.0	C302_0034 EZ703U	200	240	3.352	429/128	3200	2800	4500	25	16	7.1	33
895	69	98	5.6	2.4	C302_0034 EZ705U	310	550	3.352	429/128	3200	2800	4500	37	16	7.1	38
895	73	121	5.8	2.3	C302_0034 EZ802U	310	550	3.352	429/128	3200	2800	4500	62	16	7.1	47
895	86	157	6.9	1.9	C302_0034 EZ803U	310	550	3.352	429/128	3200	2800	4500	87	16	7.1	53
965	36	43	3.1	4.4	C302_0031 EZ702U	120	230	3.110	1045/336	3200	2800	4500	17	16	7.1	31
965	41	48	3.5	3.9	C302_0031 EZ505U	180	230	3.110	1045/336	3200	2800	4500	16	16	7.1	31



# 11 C helical geared motors

## 11.2 Selection tables



$n_{2N}$	$M_{2N}$	$M_{2,0}$	$a_{in}$	S	Type	$M_{2acc}$	$M_{2NOT}$	i	$i_{exakt}$	$n_{1max}$	$n_{1max}$	$n_{1max}$	$J_1$	$\Delta\varphi_2$	$C_2$	m
[rpm]	[Nm]	[Nm]				[Nm]	[Nm]			DBH	DBV	ZB	[ $10^{-4}$ kgm <sup>2</sup> ]	[arcmin]	[Nm/arcmin]	[kg]
<b>C3 (<math>n_{1N} = 3000</math> rpm, <math>M_{2acc,max} = 400</math> Nm)</b>																
965	50	63	4.3	3.2	C302_0031 EZ703U	180	230	3.110	1045/336	3200	2800	4500	25	16	7.1	33
965	64	91	5.5	2.5	C302_0031 EZ705U	300	550	3.110	1045/336	3200	2800	4500	38	16	7.1	38
965	67	112	5.7	2.4	C302_0031 EZ802U	300	550	3.110	1045/336	3200	2800	4500	62	16	7.1	47
965	80	145	6.9	2.0	C302_0031 EZ803U	300	550	3.110	1045/336	3200	2800	4500	87	16	7.1	53
1109	31	38	3.0	4.8	C302_0027 EZ702U	110	200	2.705	1677/620	2700	2300	4000	19	16	7.1	31
1109	35	42	3.4	4.3	C302_0027 EZ505U	160	200	2.705	1677/620	2700	2300	4000	17	16	7.1	31
1109	43	55	4.2	3.5	C302_0027 EZ703U	160	200	2.705	1677/620	2700	2300	4000	27	16	7.1	33
1109	56	79	5.4	2.7	C302_0027 EZ705U	270	520	2.705	1677/620	2700	2300	4000	39	16	7.1	38
1109	59	97	5.6	2.6	C302_0027 EZ802U	260	520	2.705	1677/620	2700	2300	4000	63	16	7.1	47
1109	70	126	6.7	2.2	C302_0027 EZ803U	290	520	2.705	1677/620	2700	2300	4000	88	16	7.1	53
1195	29	35	3.0	5.0	C302_0025 EZ702U	100	180	2.510	1634/651	2700	2300	4000	19	16	7.1	31
1195	33	39	3.4	4.4	C302_0025 EZ505U	150	180	2.510	1634/651	2700	2300	4000	17	16	7.1	31
1195	40	51	4.1	3.6	C302_0025 EZ703U	150	180	2.510	1634/651	2700	2300	4000	27	16	7.1	33
1195	52	74	5.3	2.9	C302_0025 EZ705U	250	490	2.510	1634/651	2700	2300	4000	39	16	7.1	38
1195	54	90	5.5	2.7	C302_0025 EZ802U	240	490	2.510	1634/651	2700	2300	4000	63	16	7.1	47
1195	65	117	6.6	2.3	C302_0025 EZ803U	280	490	2.510	1634/651	2700	2300	4000	89	16	7.1	53
1378	16	17	1.8	3.2	C302_0022 EZ502U	51	63	2.177	468/215	2700	2300	4000	12	16	7.1	27
1378	16	18	1.8	3.2	C302_0022 EZ701U	42	63	2.177	468/215	2700	2300	4000	15	16	7.1	28
1378	20	23	2.4	2.5	C302_0022 EZ503U	51	63	2.177	468/215	2700	2300	4000	14	16	7.1	28
1378	25	30	2.9	5.0	C302_0022 EZ702U	87	160	2.177	468/215	2700	2300	4000	20	16	7.1	31
1378	29	34	3.3	4.4	C302_0022 EZ505U	130	160	2.177	468/215	2700	2300	4000	19	16	7.1	31
1378	35	44	4.0	3.6	C302_0022 EZ703U	130	160	2.177	468/215	2700	2300	4000	28	16	7.1	33
1378	45	64	5.2	3.1	C302_0022 EZ705U	220	420	2.177	468/215	2700	2300	4000	41	16	7.1	38
1378	47	78	5.4	3.0	C302_0022 EZ802U	210	420	2.177	468/215	2700	2300	4000	65	16	7.1	47
1378	56	102	6.5	2.5	C302_0022 EZ803U	270	420	2.177	468/215	2700	2300	4000	90	16	7.1	53
1485	15	16	1.8	3.2	C302_0020 EZ502U	47	59	2.020	608/301	2700	2300	4000	12	16	7.1	27
1485	15	16	1.8	3.2	C302_0020 EZ701U	39	59	2.020	608/301	2700	2300	4000	15	16	7.1	28
1485	19	22	2.3	2.5	C302_0020 EZ503U	47	59	2.020	608/301	2700	2300	4000	15	16	7.1	28
1485	24	28	2.9	5.0	C302_0020 EZ702U	80	150	2.020	608/301	2700	2300	4000	21	16	7.1	31
1485	26	31	3.2	4.4	C302_0020 EZ505U	120	150	2.020	608/301	2700	2300	4000	19	16	7.1	31
1485	32	41	4.0	3.6	C302_0020 EZ703U	120	150	2.020	608/301	2700	2300	4000	29	16	7.1	33
1485	42	59	5.1	3.3	C302_0020 EZ705U	200	390	2.020	608/301	2700	2300	4000	41	16	7.1	38
1485	44	73	5.3	3.2	C302_0020 EZ802U	200	390	2.020	608/301	2700	2300	4000	65	16	7.1	47
1485	52	94	6.4	2.6	C302_0020 EZ803U	260	390	2.020	608/301	2700	2300	4000	90	16	7.1	53
<b>C3 (<math>n_{1N} = 4500</math> rpm, <math>M_{2acc,max} = 400</math> Nm)</b>																
216	192	309	3.2	1.7	C302_0210 EZ505U	400	700	20.80	104/5	3800	3500	5500	13	13	8.7	31
257	162	260	3.1	1.9	C302_0175 EZ505U	350	700	17.54	1105/63	3500	3100	5000	13	13	8.7	31
290	143	231	3.0	2.0	C302_0155 EZ505U	400	700	15.54	544/35	3500	3100	5000	13	13	8.7	31
290	182	302	3.9	1.6	C302_0155 EZ703U	400	700	15.54	544/35	3500	3100	5000	23	13	8.7	33
322	129	208	3.0	2.2	C302_0140 EZ505U	350	700	13.99	2015/144	3500	3100	5000	14	13	8.7	31
363	114	184	2.9	2.3	C302_0125 EZ505U	400	700	12.40	62/5	3500	3100	5000	14	13	8.7	31
363	146	241	3.7	1.8	C302_0125 EZ703U	400	700	12.40	62/5	3500	3100	5000	23	13	8.7	33
388	107	172	2.9	2.4	C302_0115 EZ505U	350	700	11.61	325/28	3200	2800	4500	14	13	8.7	31
388	136	225	3.7	1.9	C302_0115 EZ703U	350	700	11.61	325/28	3200	2800	4500	24	13	8.7	33
437	95	153	2.8	2.6	C302_0105 EZ505U	400	700	10.29	72/7	3200	2800	4500	14	13	8.7	31
437	121	200	3.6	2.1	C302_0105 EZ703U	400	700	10.29	72/7	3200	2800	4500	24	13	8.7	33
437	164	299	4.9	1.5	C302_0105 EZ705U	400	700	10.29	72/7	3200	2800	4500	36	13	8.7	38
483	86	138	2.8	2.8	C302_0093 EZ505U	350	680	9.310	3575/384	3200	2800	4500	15	13	8.7	31
483	109	181	3.6	2.2	C302_0093 EZ703U	350	680	9.310	3575/384	3200	2800	4500	24	13	8.7	33
545	76	122	2.7	3.1	C302_0083 EZ505U	400	600	8.250	33/4	3200	2800	4500	15	13	8.7	31
545	84	276	3.0	2.8	C302_0083 EZ802U	400	700	8.250	33/4	3200	2800	4500	61	13	8.7	47
545	97	160	3.5	2.4	C302_0083 EZ703U	400	600	8.250	33/4	3200	2800	4500	24	13	8.7	33
545	131	240	4.7	1.8	C302_0083 EZ705U	400	700	8.250	33/4	3200	2800	4500	37	13	8.7	38
574	72	116	3.3	2.6	C302_0078 EZ505U	330	470	7.841	494/63	3800	3500	5500	13	16	7.1	31
574	92	152	4.2	2.1	C302_0078 EZ703U	330	470	7.841	494/63	3800	3500	5500	22	16	7.1	33
574	125	228	5.6	1.5	C302_0078 EZ705U	330	550	7.841	494/63	3800	3500	5500	35	16	7.1	38
713	58	94	3.2	3.0	C302_0063 EZ505U	330	430	6.314	221/35	3500	3100	5000	14	16	7.1	31
713	64	211	3.5	2.7	C302_0063 EZ802U	330	550	6.314	221/35	3500	3100	5000	59	16	7.1	47
713	74	122	4.0	2.4	C302_0063 EZ703U	330	430	6.314	221/35	3500	3100	5000	23	16	7.1	33

C



# 11 C helical geared motors

## 11.2 Selection tables



$n_{2N}$	$M_{2N}$	$M_{2,0}$	$a_{th}$	S	Type	$M_{2acc}$	$M_{2NOT}$	i	$i_{exakt}$	$n_{1max}$ DBH	$n_{1max}$ DBV	$n_{1max}$ ZB	$J_1$	$\Delta\phi_2$	$C_2$	m
[rpm]	[Nm]	[Nm]				[Nm]	[Nm]			[rpm]	[rpm]	[rpm]	[10 <sup>-4</sup> kgm <sup>2</sup> ]	[arcmin]	[Nm/ arcmin]	[kg]
<b>C3 (<math>n_{1N} = 4500</math> rpm, <math>M_{2acc,max} = 400</math> Nm)</b>																
713	100	184	5.4	1.8	C302_0063 EZ705U	330	550	6.314	221/35	3500	3100	5000	35	16	7.1	38
768	54	87	3.1	3.2	C302_0059 EZ505U	320	400	5.859	2584/441	3500	3100	5000	14	16	7.1	31
768	60	196	3.4	2.9	C302_0059 EZ802U	330	550	5.859	2584/441	3500	3100	5000	59	16	7.1	47
768	69	114	4.0	2.5	C302_0059 EZ703U	320	400	5.859	2584/441	3500	3100	5000	23	16	7.1	33
768	93	170	5.4	1.8	C302_0059 EZ705U	330	550	5.859	2584/441	3500	3100	5000	35	16	7.1	38
893	46	75	3.0	3.5	C302_0050 EZ505U	290	370	5.038	403/80	3500	3100	5000	14	16	7.1	31
893	51	169	3.4	3.2	C302_0050 EZ802U	330	550	5.038	403/80	3500	3100	5000	60	16	7.1	47
893	59	98	3.9	2.8	C302_0050 EZ703U	290	370	5.038	403/80	3500	3100	5000	24	16	7.1	33
893	80	147	5.2	2.0	C302_0050 EZ705U	330	550	5.038	403/80	3500	3100	5000	36	16	7.1	38
963	43	69	3.0	3.7	C302_0047 EZ505U	270	340	4.675	589/126	3500	3100	5000	14	16	7.1	31
963	48	156	3.3	3.3	C302_0047 EZ802U	330	550	4.675	589/126	3500	3100	5000	60	16	7.1	47
963	55	91	3.8	2.9	C302_0047 EZ703U	270	340	4.675	589/126	3500	3100	5000	24	16	7.1	33
963	74	136	5.2	2.1	C302_0047 EZ705U	330	550	4.675	589/126	3500	3100	5000	36	16	7.1	38
1077	39	62	2.9	4.0	C302_0042 EZ505U	240	300	4.179	117/28	3200	2800	4500	15	16	7.1	31
1077	43	140	3.3	3.6	C302_0042 EZ802U	330	550	4.179	117/28	3200	2800	4500	61	16	7.1	47
1077	49	81	3.8	3.1	C302_0042 EZ703U	240	300	4.179	117/28	3200	2800	4500	24	16	7.1	33
1077	66	122	5.1	2.3	C302_0042 EZ705U	330	550	4.179	117/28	3200	2800	4500	37	16	7.1	38
1160	36	58	2.9	4.2	C302_0039 EZ505U	230	280	3.878	190/49	3200	2800	4500	15	16	7.1	31
1160	39	130	3.2	3.8	C302_0039 EZ802U	320	550	3.878	190/49	3200	2800	4500	61	16	7.1	47
1160	46	75	3.7	3.3	C302_0039 EZ703U	230	280	3.878	190/49	3200	2800	4500	24	16	7.1	33
1160	62	113	5.0	2.4	C302_0039 EZ705U	320	550	3.878	190/49	3200	2800	4500	37	16	7.1	38
1342	31	50	2.8	4.6	C302_0034 EZ505U	200	240	3.352	429/128	3200	2800	4500	16	16	7.1	31
1342	34	112	3.1	4.2	C302_0034 EZ802U	310	550	3.352	429/128	3200	2800	4500	62	16	7.1	47
1342	39	65	3.6	3.6	C302_0034 EZ703U	200	240	3.352	429/128	3200	2800	4500	25	16	7.1	33
1342	53	98	4.9	2.7	C302_0034 EZ705U	310	550	3.352	429/128	3200	2800	4500	37	16	7.1	38
1447	29	46	2.8	4.9	C302_0031 EZ505U	180	230	3.110	1045/336	3200	2800	4500	16	16	7.1	31
1447	32	104	3.1	4.4	C302_0031 EZ802U	300	550	3.110	1045/336	3200	2800	4500	62	16	7.1	47
1447	37	60	3.6	3.8	C302_0031 EZ703U	180	230	3.110	1045/336	3200	2800	4500	25	16	7.1	33
1447	49	91	4.8	2.8	C302_0031 EZ705U	300	550	3.110	1045/336	3200	2800	4500	38	16	7.1	38
<b>C4 (<math>n_{1N} = 2000</math> rpm, <math>M_{2acc,max} = 540</math> Nm)</b>																
340	250	378	8.2	1.3	C402_0059 EZ805U	540	850	5.891	377/64	3300	2800	4500	136	15	17	76
379	224	339	8.0	1.4	C402_0053 EZ805U	520	850	5.284	465/88	3300	2800	4500	137	15	17	76
427	198	300	7.8	1.5	C402_0047 EZ805U	500	800	4.682	899/192	3300	2800	4500	137	15	17	76
455	186	282	7.8	1.6	C402_0044 EZ805U	490	800	4.394	145/33	2900	2500	4000	138	15	17	76
514	165	250	7.6	1.7	C402_0039 EZ805U	470	710	3.894	841/216	2900	2500	4000	139	15	17	76
572	148	224	7.5	1.9	C402_0035 EZ805U	460	680	3.497	2385/682	2900	2500	4000	140	15	17	76
645	131	199	7.3	2.0	C402_0031 EZ805U	440	600	3.099	1537/496	2900	2500	4000	141	15	17	76
722	117	178	7.2	2.2	C402_0028 EZ805U	420	540	2.771	945/341	2500	2100	3500	144	15	17	76
814	104	157	7.0	2.4	C402_0025 EZ805U	380	480	2.456	609/248	2500	2100	3500	145	15	17	76
900	94	142	6.9	2.5	C402_0022 EZ805U	340	430	2.221	171/77	2500	2100	3500	148	15	17	76
1016	83	126	6.8	2.7	C402_0020 EZ805U	310	380	1.968	551/280	2500	2100	3500	150	15	17	76
<b>C4 (<math>n_{1N} = 3000</math> rpm, <math>M_{2acc,max} = 600</math> Nm)</b>																
33	371	406	1.8	1.5	C403_0900 EZ501U	550	1100	90.32	8671/96	3500	3200	5000	3.2	12	22	40
37	332	363	1.7	1.7	C403_0810 EZ501U	600	1100	80.81	42021/520	3500	3200	5000	3.2	12	22	40
43	291	319	1.6	1.9	C402_0700 EZ501U	550	1070	69.88	559/8	3500	3200	5000	3.2	12	22	35
48	261	285	1.7	1.9	C402_0630 EZ501U	600	960	62.52	8127/130	3500	3200	5000	3.2	12	22	35
53	234	256	1.5	2.4	C402_0560 EZ501U	550	1040	56.10	9425/168	3500	3200	5000	3.3	12	22	35
60	209	229	1.4	2.6	C402_0500 EZ501U	600	930	50.19	1305/26	3500	3200	5000	3.3	12	22	35
60	360	389	2.4	1.5	C402_0500 EZ502U	600	930	50.19	1305/26	3500	3200	5000	5.6	12	22	37
60	360	404	2.4	1.5	C402_0500 EZ701U	600	930	50.19	1305/26	3500	3200	5000	8.9	12	22	39
64	195	213	1.3	2.8	C402_0470 EZ501U	550	930	46.67	140/3	3500	3200	5000	3.4	12	22	35
64	335	362	2.3	1.6	C402_0470 EZ502U	550	930	46.67	140/3	3500	3200	5000	5.7	12	22	37
64	335	376	2.3	1.6	C402_0470 EZ701U	550	1100	46.67	140/3	3500	3200	5000	9.0	12	22	39
72	174	190	1.3	3.2	C402_0420 EZ501U	600	840	41.75	7056/169	3500	3200	5000	3.5	12	22	35
72	300	324	2.2	1.8	C402_0420 EZ502U	600	840	41.75	7056/169	3500	3200	5000	5.8	12	22	37
72	300	336	2.2	1.8	C402_0420 EZ701U	600	1100	41.75	7056/169	3500	3200	5000	9.1	12	22	39
72	393	450	2.9	1.4	C402_0420 EZ503U	600	840	41.75	7056/169	3500	3200	5000	8.1	12	22	38
86	145	159	1.2	3.8	C402_0350 EZ501U	540	790	34.82	975/28	3500	3200	5000	3.8	12	22	35
86	250	270	2.0	2.2	C402_0350 EZ502U	550	790	34.82	975/28	3500	3200	5000	6.1	12	22	37





11 C helical geared motors  
11.2 Selection tables



n <sub>2N</sub> [rpm]	M <sub>2N</sub> [Nm]	M <sub>2,0</sub> [Nm]	a <sub>in</sub>	S	Type	M <sub>2acc</sub> [Nm]	M <sub>2NOT</sub> [Nm]	i	i <sub>exakt</sub>	n <sub>1max</sub> DBH [rpm]	n <sub>1max</sub> DBV [rpm]	n <sub>1max</sub> ZB [rpm]	J <sub>1</sub> [10 <sup>-4</sup> kgm²]	Δφ <sub>2</sub> [arcmin]	C <sub>2</sub> [Nm/ arcmin]	m [kg]
<b>C4 (n<sub>1N</sub> = 3000 rpm, M<sub>2acc,max</sub> = 600 Nm)</b>																
86	250	280	2.0	2.2	C402_0350 EZ701U	550	1100	34.82	975/28	3500	3200	5000	9.4	12	22	39
86	328	375	2.6	1.7	C402_0350 EZ503U	550	790	34.82	975/28	3500	3200	5000	8.5	12	22	38
96	130	142	1.1	4.2	C402_0310 EZ501U	480	710	31.15	405/13	3500	3200	5000	3.8	12	22	35
96	224	242	1.9	2.5	C402_0310 EZ502U	570	710	31.15	405/13	3500	3200	5000	6.1	12	22	37
96	224	251	1.9	2.5	C402_0310 EZ701U	600	1100	31.15	405/13	3500	3200	5000	9.4	12	22	39
96	293	335	2.5	1.9	C402_0310 EZ503U	570	710	31.15	405/13	3500	3200	5000	8.5	12	22	38
96	363	435	3.1	1.5	C402_0310 EZ702U	600	1100	31.15	405/13	3500	3200	5000	15	12	22	41
108	116	127	1.0	4.7	C402_0280 EZ501U	430	740	27.86	195/7	3500	3200	5000	4.2	12	22	35
108	200	216	1.8	2.8	C402_0280 EZ502U	550	740	27.86	195/7	3500	3200	5000	6.5	12	22	37
108	200	224	1.8	2.8	C402_0280 EZ701U	540	1100	27.86	195/7	3500	3200	5000	9.8	12	22	39
108	262	300	2.3	2.1	C402_0280 EZ503U	550	740	27.86	195/7	3500	3200	5000	8.9	12	22	38
108	324	389	2.9	1.7	C402_0280 EZ702U	550	1100	27.86	195/7	3500	3200	5000	15	12	22	41
120	104	114	1.0	2.8	C402_0250 EZ501U	290	360	24.92	324/13	3500	3200	5000	4.2	12	22	35
120	179	193	1.7	2.9	C402_0250 EZ502U	530	660	24.92	324/13	3500	3200	5000	6.5	12	22	37
120	179	201	1.7	3.1	C402_0250 EZ701U	480	1100	24.92	324/13	3500	3200	5000	9.8	12	22	39
120	235	268	2.2	2.2	C402_0250 EZ503U	530	660	24.92	324/13	3500	3200	5000	8.9	12	22	38
120	290	348	2.7	1.9	C402_0250 EZ702U	600	1100	24.92	324/13	3500	3200	5000	15	12	22	41
120	326	387	3.1	1.7	C402_0250 EZ505U	600	1100	24.92	324/13	3500	3200	5000	13	12	22	41
128	168	188	1.6	3.3	C402_0230 EZ701U	450	1100	23.36	1495/64	3500	3200	5000	10	12	22	39
128	272	326	2.7	2.0	C402_0230 EZ702U	550	1100	23.36	1495/64	3500	3200	5000	15	12	22	41
128	306	363	3.0	1.8	C402_0230 EZ505U	550	1100	23.36	1495/64	3500	3200	5000	14	12	22	41
144	150	168	1.6	3.7	C402_0210 EZ701U	410	1100	20.90	4347/208	3500	3200	5000	10	12	22	39
144	243	292	2.5	2.3	C402_0210 EZ702U	600	1100	20.90	4347/208	3500	3200	5000	15	12	22	41
144	274	324	2.8	2.0	C402_0210 EZ505U	600	1100	20.90	4347/208	3500	3200	5000	14	12	22	41
144	334	422	3.5	1.6	C402_0210 EZ703U	600	1100	20.90	4347/208	3500	3200	5000	23	12	22	43
170	126	142	1.4	4.4	C402_0175 EZ701U	340	1100	17.60	845/48	3300	2800	4500	11	12	22	39
170	205	246	2.3	2.7	C402_0175 EZ702U	550	1100	17.60	845/48	3300	2800	4500	16	12	22	41
170	231	273	2.6	2.4	C402_0175 EZ505U	550	1100	17.60	845/48	3300	2800	4500	15	12	22	41
170	282	355	3.2	2.0	C402_0175 EZ703U	550	1100	17.60	845/48	3300	2800	4500	24	12	22	43
190	113	127	1.3	4.9	C402_0160 EZ701U	310	1070	15.75	63/4	3300	2800	4500	11	12	22	39
190	183	220	2.2	3.0	C402_0160 EZ702U	600	1070	15.75	63/4	3300	2800	4500	16	12	22	41
190	206	244	2.5	2.7	C402_0160 EZ505U	600	1070	15.75	63/4	3300	2800	4500	15	12	22	41
190	252	318	3.0	2.2	C402_0160 EZ703U	600	1070	15.75	63/4	3300	2800	4500	24	12	22	43
190	325	461	3.9	1.7	C402_0160 EZ705U	600	1100	15.75	63/4	3300	2800	4500	37	12	22	49
214	163	195	2.1	3.3	C402_0140 EZ702U	550	1020	13.99	2015/144	3300	2800	4500	17	12	22	41
214	183	217	2.4	2.9	C402_0140 EZ505U	550	1020	13.99	2015/144	3300	2800	4500	16	12	22	41
214	224	282	2.9	2.4	C402_0140 EZ703U	550	1020	13.99	2015/144	3300	2800	4500	25	12	22	43
214	289	410	3.8	1.8	C402_0140 EZ705U	550	1100	13.99	2015/144	3300	2800	4500	37	12	22	49
240	146	175	2.1	3.5	C402_0125 EZ702U	500	910	12.52	651/52	3300	2800	4500	17	12	22	41
240	164	194	2.3	3.1	C402_0125 EZ505U	600	910	12.52	651/52	3300	2800	4500	16	12	22	41
240	200	253	2.9	2.6	C402_0125 EZ703U	600	910	12.52	651/52	3300	2800	4500	25	12	22	43
240	259	367	3.7	2.0	C402_0125 EZ705U	600	1100	12.52	651/52	3300	2800	4500	37	12	22	49
240	271	451	3.9	1.9	C402_0125 EZ802U	600	1100	12.52	651/52	3300	2800	4500	61	12	22	57
258	135	163	2.1	3.7	C402_0115 EZ702U	460	850	11.64	1885/162	2900	2500	4000	18	12	22	41
258	152	181	2.3	3.3	C402_0115 EZ505U	550	850	11.64	1885/162	2900	2500	4000	16	12	22	41
258	186	235	2.8	2.7	C402_0115 EZ703U	550	850	11.64	1885/162	2900	2500	4000	26	12	22	43
258	240	341	3.7	2.1	C402_0115 EZ705U	550	1100	11.64	1885/162	2900	2500	4000	38	12	22	49
258	252	419	3.8	2.0	C402_0115 EZ802U	550	1100	11.64	1885/162	2900	2500	4000	62	12	22	57
288	121	145	2.0	4.0	C402_0105 EZ702U	410	760	10.41	406/39	2900	2500	4000	18	12	22	41
288	136	162	2.3	3.5	C402_0105 EZ505U	600	760	10.41	406/39	2900	2500	4000	17	12	22	41
288	167	210	2.8	2.9	C402_0105 EZ703U	600	760	10.41	406/39	2900	2500	4000	26	12	22	43
288	215	305	3.6	2.2	C402_0105 EZ705U	600	1100	10.41	406/39	2900	2500	4000	38	12	22	49
288	225	375	3.8	2.1	C402_0105 EZ802U	600	1100	10.41	406/39	2900	2500	4000	62	12	22	57
324	191	271	3.5	2.4	C402_0093 EZ705U	550	1100	9.261	3445/372	2900	2500	4000	40	12	22	49
324	200	333	3.7	2.3	C402_0093 EZ802U	550	1100	9.261	3445/372	2900	2500	4000	64	12	22	57
362	171	243	3.5	2.6	C402_0083 EZ705U	600	1100	8.285	3339/403	2900	2500	4000	40	12	22	49
362	179	298	3.6	2.5	C402_0083 EZ802U	600	1100	8.285	3339/403	2900	2500	4000	64	12	22	57
362	214	387	4.3	2.1	C402_0083 EZ803U	600	1100	8.285	3339/403	2900	2500	4000	89	12	22	63
384	91	109	2.7	3.5	C402_0078 EZ702U	310	450	7.816	2001/256	3500	3200	5000	16	15	17	41

C

# 11 C helical geared motors

## 11.2 Selection tables



$n_{2N}$	$M_{2N}$	$M_{2,0}$	$a_{th}$	S	Type	$M_{zacc}$	$M_{2NOT}$	i	$i_{exakt}$	$n_{1max}$ DBH	$n_{1max}$ DBV	$n_{1max}$ ZB	$J_1$	$\Delta\varphi_2$	$C_2$	m
[rpm]	[Nm]	[Nm]				[Nm]	[Nm]			[rpm]	[rpm]	[rpm]	[10 <sup>-4</sup> kgm <sup>2</sup> ]	[arcmin]	[Nm/ arcmin]	[kg]
<b>C4 (n<sub>1N</sub> = 3000 rpm, M<sub>zacc,max</sub> = 600 Nm)</b>																
384	102	121	3.0	3.1	C402_0078 EZ505U	360	450	7.816	2001/256	3500	3200	5000	14	15	17	41
384	125	158	3.7	2.5	C402_0078 EZ703U	360	450	7.816	2001/256	3500	3200	5000	24	15	17	43
384	161	229	4.8	2.0	C402_0078 EZ705U	550	850	7.816	2001/256	3500	3200	5000	36	15	17	49
384	169	281	5.0	1.9	C402_0078 EZ802U	550	850	7.816	2001/256	3500	3200	5000	60	15	17	57
384	202	365	6.0	1.6	C402_0078 EZ803U	550	850	7.816	2001/256	3500	3200	5000	86	15	17	63
451	77	93	2.6	3.9	C402_0066 EZ702U	260	450	6.648	585/88	3300	2800	4500	17	15	17	41
451	87	103	2.9	3.4	C402_0066 EZ505U	360	450	6.648	585/88	3300	2800	4500	15	15	17	41
451	106	134	3.6	2.8	C402_0066 EZ703U	360	450	6.648	585/88	3300	2800	4500	25	15	17	43
451	137	195	4.6	2.2	C402_0066 EZ705U	550	850	6.648	585/88	3300	2800	4500	37	15	17	49
451	144	239	4.9	2.1	C402_0066 EZ802U	550	850	6.648	585/88	3300	2800	4500	61	15	17	57
451	172	311	5.8	1.7	C402_0066 EZ803U	550	850	6.648	585/88	3300	2800	4500	86	15	17	63
509	69	82	2.6	4.2	C402_0059 EZ702U	230	400	5.891	377/64	3300	2800	4500	17	15	17	41
509	77	91	2.9	3.7	C402_0059 EZ505U	320	400	5.891	377/64	3300	2800	4500	15	15	17	41
509	94	119	3.5	3.0	C402_0059 EZ703U	320	400	5.891	377/64	3300	2800	4500	25	15	17	43
509	122	173	4.5	2.4	C402_0059 EZ705U	540	850	5.891	377/64	3300	2800	4500	37	15	17	49
509	127	212	4.8	2.3	C402_0059 EZ802U	540	850	5.891	377/64	3300	2800	4500	61	15	17	57
509	152	275	5.7	1.9	C402_0059 EZ803U	540	850	5.891	377/64	3300	2800	4500	87	15	17	63
568	62	74	2.5	4.5	C402_0053 EZ702U	210	380	5.284	465/88	3300	2800	4500	18	15	17	41
568	69	82	2.8	4.0	C402_0053 EZ505U	310	380	5.284	465/88	3300	2800	4500	16	15	17	41
568	85	107	3.5	3.3	C402_0053 EZ703U	310	380	5.284	465/88	3300	2800	4500	26	15	17	43
568	109	155	4.5	2.5	C402_0053 EZ705U	520	850	5.284	465/88	3300	2800	4500	38	15	17	49
568	114	190	4.7	2.4	C402_0053 EZ802U	510	850	5.284	465/88	3300	2800	4500	62	15	17	57
568	136	247	5.6	2.0	C402_0053 EZ803U	520	850	5.284	465/88	3300	2800	4500	88	15	17	63
641	54	65	2.5	4.9	C402_0047 EZ702U	190	340	4.682	899/192	3300	2800	4500	18	15	17	41
641	61	73	2.8	4.3	C402_0047 EZ505U	270	340	4.682	899/192	3300	2800	4500	17	15	17	41
641	75	94	3.4	3.5	C402_0047 EZ703U	270	340	4.682	899/192	3300	2800	4500	26	15	17	43
641	97	137	4.4	2.7	C402_0047 EZ705U	470	800	4.682	899/192	3300	2800	4500	39	15	17	49
641	101	168	4.6	2.6	C402_0047 EZ802U	450	800	4.682	899/192	3300	2800	4500	63	15	17	57
641	121	219	5.5	2.2	C402_0047 EZ803U	500	800	4.682	899/192	3300	2800	4500	88	15	17	63
683	51	61	2.4	5.0	C402_0044 EZ702U	170	320	4.394	145/33	2900	2500	4000	19	15	17	41
683	58	68	2.7	4.4	C402_0044 EZ505U	260	320	4.394	145/33	2900	2500	4000	18	15	17	41
683	70	89	3.4	3.6	C402_0044 EZ703U	260	320	4.394	145/33	2900	2500	4000	27	15	17	43
683	91	129	4.3	2.9	C402_0044 EZ705U	440	800	4.394	145/33	2900	2500	4000	40	15	17	49
683	95	158	4.5	2.7	C402_0044 EZ802U	430	800	4.394	145/33	2900	2500	4000	64	15	17	57
683	113	205	5.4	2.3	C402_0044 EZ803U	490	800	4.394	145/33	2900	2500	4000	89	15	17	63
770	45	54	2.4	5.0	C402_0039 EZ702U	150	280	3.894	841/216	2900	2500	4000	20	15	17	41
770	51	60	2.7	4.4	C402_0039 EZ505U	230	280	3.894	841/216	2900	2500	4000	18	15	17	41
770	62	79	3.3	3.6	C402_0039 EZ703U	230	280	3.894	841/216	2900	2500	4000	28	15	17	43
770	80	114	4.2	3.1	C402_0039 EZ705U	390	710	3.894	841/216	2900	2500	4000	40	15	17	49
770	84	140	4.4	3.0	C402_0039 EZ802U	380	710	3.894	841/216	2900	2500	4000	64	15	17	57
770	100	182	5.3	2.5	C402_0039 EZ803U	470	710	3.894	841/216	2900	2500	4000	89	15	17	63
858	72	102	4.2	3.3	C402_0035 EZ705U	350	680	3.497	2385/682	2900	2500	4000	42	15	17	49
858	76	126	4.4	3.2	C402_0035 EZ802U	340	680	3.497	2385/682	2900	2500	4000	66	15	17	57
858	90	163	5.2	2.7	C402_0035 EZ803U	460	680	3.497	2385/682	2900	2500	4000	91	15	17	63
968	64	91	4.1	3.6	C402_0031 EZ705U	310	600	3.099	1537/496	2900	2500	4000	42	15	17	49
968	67	112	4.3	3.5	C402_0031 EZ802U	300	600	3.099	1537/496	2900	2500	4000	66	15	17	57
968	80	145	5.1	2.9	C402_0031 EZ803U	440	600	3.099	1537/496	2900	2500	4000	92	15	17	63
1083	57	81	4.0	3.9	C402_0028 EZ705U	280	540	2.771	945/341	2500	2100	3500	45	15	17	49
1083	60	100	4.2	3.7	C402_0028 EZ802U	270	540	2.771	945/341	2500	2100	3500	69	15	17	57
1083	71	130	5.0	3.1	C402_0028 EZ803U	390	540	2.771	945/341	2500	2100	3500	94	15	17	63
1221	51	72	3.9	4.2	C402_0025 EZ705U	250	480	2.456	609/248	2500	2100	3500	46	15	17	49
1221	53	88	4.1	4.0	C402_0025 EZ802U	240	480	2.456	609/248	2500	2100	3500	70	15	17	57
1221	63	115	4.9	3.4	C402_0025 EZ803U	350	480	2.456	609/248	2500	2100	3500	96	15	17	63
1351	46	65	3.9	4.5	C402_0022 EZ705U	220	430	2.221	171/77	2500	2100	3500	49	15	17	49
1351	48	80	4.0	4.3	C402_0022 EZ802U	220	430	2.221	171/77	2500	2100	3500	73	15	17	57
1351	57	104	4.8	3.6	C402_0022 EZ803U	310	430	2.221	171/77	2500	2100	3500	99	15	17	63
1524	41	58	3.8	4.9	C402_0020 EZ705U	200	380	1.968	551/280	2500	2100	3500	51	15	17	49
1524	43	71	4.0	4.7	C402_0020 EZ802U	190	380	1.968	551/280	2500	2100	3500	75	15	17	57
1524	51	92	4.7	3.9	C402_0020 EZ803U	280	380	1.968	551/280	2500	2100	3500	101	15	17	63



# 11 C helical geared motors

## 11.2 Selection tables

**STOBER**

n <sub>2N</sub>	M <sub>2N</sub>	M <sub>2,0</sub>	a <sub>in</sub>	S	Type	M <sub>2acc</sub>	M <sub>2NOT</sub>	i	i <sub>exakt</sub>	n <sub>1max</sub> DBH	n <sub>1max</sub> DBV	n <sub>1max</sub> ZB	J <sub>1</sub>	Δφ <sub>2</sub>	C <sub>2</sub>	m
[rpm]	[Nm]	[Nm]				[Nm]	[Nm]			[rpm]	[rpm]	[rpm]	[10 <sup>-4</sup> kgm <sup>2</sup> ]	[arcmin]	[Nm/ arcmin]	[kg]
<b>C4 (n<sub>IN</sub> = 4500 rpm, M<sub>2acc,max</sub> = 600 Nm)</b>																
144	287	462	2.4	1.9	C402_0310 EZ505U	600	1100	31.15	405/13	3500	3200	5000	13	12	22	41
162	257	413	2.3	2.1	C402_0280 EZ505U	550	1100	27.86	195/7	3500	3200	5000	13	12	22	41
181	230	370	2.2	2.4	C402_0250 EZ505U	600	1100	24.92	324/13	3500	3200	5000	13	12	22	41
193	215	347	2.1	2.6	C402_0230 EZ505U	550	1100	23.36	1495/64	3500	3200	5000	14	12	22	41
215	193	310	2.1	2.8	C402_0210 EZ505U	600	1100	20.90	4347/208	3500	3200	5000	14	12	22	41
215	245	405	2.6	2.2	C402_0210 EZ703U	600	1100	20.90	4347/208	3500	3200	5000	23	12	22	43
256	162	261	2.0	3.1	C402_0175 EZ505U	550	1100	17.60	845/48	3300	2800	4500	15	12	22	41
256	207	342	2.5	2.4	C402_0175 EZ703U	550	1100	17.60	845/48	3300	2800	4500	24	12	22	43
286	145	234	2.0	3.3	C402_0160 EZ505U	600	1070	15.75	63/4	3300	2800	4500	15	12	22	41
286	185	306	2.5	2.6	C402_0160 EZ703U	600	1070	15.75	63/4	3300	2800	4500	24	12	22	43
286	251	458	3.4	1.9	C402_0160 EZ705U	600	1100	15.75	63/4	3300	2800	4500	37	12	22	49
322	129	208	1.9	3.6	C402_0140 EZ505U	550	1020	13.99	2015/144	3300	2800	4500	16	12	22	41
322	164	271	2.5	2.8	C402_0140 EZ703U	550	1020	13.99	2015/144	3300	2800	4500	25	12	22	43
322	223	407	3.3	2.1	C402_0140 EZ705U	550	1100	13.99	2015/144	3300	2800	4500	37	12	22	49
359	115	186	1.9	3.9	C402_0125 EZ505U	600	910	12.52	651/52	3300	2800	4500	16	12	22	41
359	128	419	2.1	3.5	C402_0125 EZ802U	600	1100	12.52	651/52	3300	2800	4500	61	12	22	57
359	147	243	2.4	3.1	C402_0125 EZ703U	600	910	12.52	651/52	3300	2800	4500	25	12	22	43
359	199	364	3.3	2.3	C402_0125 EZ705U	600	1100	12.52	651/52	3300	2800	4500	37	12	22	49
576	72	116	2.4	3.8	C402_0078 EZ505U	360	450	7.816	2001/256	3500	3200	5000	14	15	17	41
576	80	262	2.7	3.5	C402_0078 EZ802U	550	850	7.816	2001/256	3500	3200	5000	60	15	17	57
576	92	152	3.1	3.0	C402_0078 EZ703U	360	450	7.816	2001/256	3500	3200	5000	24	15	17	43
576	124	227	4.2	2.2	C402_0078 EZ705U	550	850	7.816	2001/256	3500	3200	5000	36	15	17	49
677	61	99	2.4	4.3	C402_0066 EZ505U	360	450	6.648	585/88	3300	2800	4500	15	15	17	41
677	68	222	2.6	3.9	C402_0066 EZ802U	550	850	6.648	585/88	3300	2800	4500	61	15	17	57
677	78	129	3.0	3.3	C402_0066 EZ703U	360	450	6.648	585/88	3300	2800	4500	25	15	17	43
677	106	193	4.1	2.5	C402_0066 EZ705U	550	850	6.648	585/88	3300	2800	4500	37	15	17	49
764	54	87	2.3	4.6	C402_0059 EZ505U	320	400	5.891	377/64	3300	2800	4500	15	15	17	41
764	60	197	2.6	4.2	C402_0059 EZ802U	540	850	5.891	377/64	3300	2800	4500	61	15	17	57
764	69	114	3.0	3.6	C402_0059 EZ703U	320	400	5.891	377/64	3300	2800	4500	25	15	17	43
764	94	171	4.0	2.7	C402_0059 EZ705U	540	850	5.891	377/64	3300	2800	4500	37	15	17	49
852	49	78	2.3	5.0	C402_0053 EZ505U	310	380	5.284	465/88	3300	2800	4500	16	15	17	41
852	54	177	2.5	4.5	C402_0053 EZ802U	510	850	5.284	465/88	3300	2800	4500	62	15	17	57
852	62	103	2.9	3.9	C402_0053 EZ703U	310	380	5.284	465/88	3300	2800	4500	26	15	17	43
852	84	154	3.9	2.9	C402_0053 EZ705U	520	850	5.284	465/88	3300	2800	4500	38	15	17	49
961	48	157	2.5	4.9	C402_0047 EZ802U	450	800	4.682	899/192	3300	2800	4500	63	15	17	57
961	55	91	2.8	4.2	C402_0047 EZ703U	270	340	4.682	899/192	3300	2800	4500	26	15	17	43
961	74	136	3.9	3.1	C402_0047 EZ705U	470	800	4.682	899/192	3300	2800	4500	39	15	17	49
<b>C5 (n<sub>IN</sub> = 2000 rpm, M<sub>2acc,max</sub> = 920 Nm)</b>																
193	440	666	4.8	1.8	C502_0105 EZ805U	920	1600	10.38	841/81	2800	2400	3500	141	12	23	88
216	393	594	4.5	2.0	C502_0093 EZ805U	850	1600	9.261	3445/372	2800	2400	3500	143	12	23	88
242	350	530	4.4	2.2	C502_0083 EZ805U	920	1600	8.263	1537/186	2800	2400	3500	144	12	23	88
258	329	498	5.9	1.7	C502_0078 EZ805U	800	1110	7.763	621/80	3400	3000	4500	136	14	21	88
301	282	427	5.8	1.9	C502_0067 EZ805U	800	1100	6.655	559/84	3100	2700	4000	138	14	21	88
342	248	375	5.7	2.0	C502_0059 EZ805U	770	970	5.850	117/20	3100	2700	4000	139	14	21	88
380	223	338	5.6	2.2	C502_0053 EZ805U	800	1000	5.265	258/49	3100	2700	4000	140	14	21	88
432	196	297	5.4	2.4	C502_0046 EZ805U	700	880	4.629	162/35	3100	2700	4000	141	14	21	88
455	186	282	5.4	2.5	C502_0044 EZ805U	680	850	4.399	2494/567	2800	2400	3500	143	14	21	88
517	164	248	5.3	2.7	C502_0039 EZ805U	600	750	3.867	58/15	2800	2400	3500	144	14	21	88
571	148	224	5.2	2.9	C502_0035 EZ805U	540	680	3.501	2279/651	2800	2400	3500	147	14	21	88
650	130	197	5.1	3.1	C502_0031 EZ805U	480	600	3.077	477/155	2800	2400	3500	148	14	21	88
718	118	179	5.0	3.4	C502_0028 EZ805U	550	1010	2.787	301/108	2400	2000	3000	153	14	21	88
816	104	157	4.9	3.7	C502_0025 EZ805U	490	890	2.450	49/20	2400	2000	3000	154	14	21	88
890	95	144	4.8	3.9	C502_0022 EZ805U	450	820	2.247	645/287	2400	2000	3000	160	14	21	88
1012	84	127	4.7	4.2	C502_0020 EZ805U	390	720	1.976	81/41	2400	2000	3000	163	14	21	88
<b>C5 (n<sub>IN</sub> = 3000 rpm, M<sub>2acc,max</sub> = 920 Nm)</b>																
22	556	608	1.7	1.4	C503_1350 EZ501U	850	1600	135.3	406/3	3400	3000	4500	3.2	12	23	51
28	447	488	1.5	1.8	C503_1090 EZ501U	850	1600	108.6	31291/288	3400	3000	4500	3.2	12	23	51
33	371	406	1.4	2.2	C503_0900 EZ501U	850	1490	90.32	8671/96	3400	3000	4500	3.3	12	23	51
37	331	362	1.3	2.4	C503_0810 EZ501U	920	1330	80.60	19343/240	3400	3000	4500	3.3	12	23	51

C



# 11 C helical geared motors

## 11.2 Selection tables

$n_{2N}$ [rpm]	$M_{2N}$ [Nm]	$M_{2,0}$ [Nm]	$a_{th}$	$S$	Type	$M_{2acc}$ [Nm]	$M_{2NOT}$ [Nm]	$i$	$i_{exakt}$	$n_{1max}$ DBH [rpm]	$n_{1max}$ DBV [rpm]	$n_{1max}$ ZB [rpm]	$J_1$ [10 <sup>-4</sup> kgm <sup>2</sup> ]	$\Delta\phi_2$ [arcmin]	$C_2$ [Nm/ arcmin]	$m$ [kg]
<b>C5 (<math>n_{1N} = 3000 \text{ rpm}</math>, <math>M_{2acc,max} = 920 \text{ Nm}</math>)</b>																
37	570	616	2.2	1.4	C503_0810 EZ502U	920	1330	80.60	19343/240	3400	3000	4500	5.6	12	23	52
43	292	319	1.2	2.7	C502_0700 EZ501U	850	1210	69.97	10075/144	3400	3000	4500	3.4	12	23	47
43	502	543	2.1	1.6	C502_0700 EZ502U	850	1210	69.97	10075/144	3400	3000	4500	5.7	12	23	48
43	502	563	2.1	1.6	C502_0700 EZ701U	850	1210	69.97	10075/144	3400	3000	4500	9.0	12	23	50
48	260	285	1.3	2.7	C502_0620 EZ501U	860	1080	62.43	4495/72	3400	3000	4500	3.4	12	23	47
48	448	484	2.2	1.6	C502_0620 EZ502U	860	1080	62.43	4495/72	3400	3000	4500	5.7	12	23	48
48	448	503	2.2	1.6	C502_0620 EZ701U	860	1080	62.43	4495/72	3400	3000	4500	9.0	12	23	50
54	233	255	1.1	3.4	C502_0560 EZ501U	850	1120	55.83	335/6	3400	3000	4500	3.6	12	23	47
54	401	433	1.9	2.0	C502_0560 EZ502U	850	1120	55.83	335/6	3400	3000	4500	5.9	12	23	48
54	401	450	1.9	2.0	C502_0560 EZ701U	850	1600	55.83	335/6	3400	3000	4500	9.2	12	23	50
54	525	601	2.5	1.5	C502_0560 EZ503U	850	1120	55.83	335/6	3400	3000	4500	8.3	12	23	50
60	208	227	1.0	3.8	C502_0500 EZ501U	770	1000	49.82	1943/39	3400	3000	4500	3.6	12	23	47
60	358	387	1.8	2.2	C502_0500 EZ502U	800	1000	49.82	1943/39	3400	3000	4500	5.9	12	23	48
60	358	401	1.8	2.2	C502_0500 EZ701U	920	1600	49.82	1943/39	3400	3000	4500	9.2	12	23	50
60	469	536	2.3	1.7	C502_0500 EZ503U	800	1000	49.82	1943/39	3400	3000	4500	8.3	12	23	50
60	580	696	2.9	1.4	C502_0500 EZ702U	920	1600	49.82	1943/39	3400	3000	4500	14	12	23	53
64	195	213	1.0	4.1	C502_0470 EZ501U	730	990	46.72	1495/32	3400	3000	4500	3.9	12	23	47
64	335	363	1.7	2.4	C502_0470 EZ502U	790	990	46.72	1495/32	3400	3000	4500	6.2	12	23	48
64	335	376	1.7	2.4	C502_0470 EZ701U	850	1600	46.72	1495/32	3400	3000	4500	9.5	12	23	50
64	440	503	2.3	1.8	C502_0470 EZ503U	790	990	46.72	1495/32	3400	3000	4500	8.6	12	23	50
64	544	653	2.8	1.5	C502_0470 EZ702U	850	1600	46.72	1495/32	3400	3000	4500	15	12	23	53
72	174	190	0.9	4.1	C502_0420 EZ501U	650	880	41.69	667/16	3400	3000	4500	3.9	12	23	47
72	299	323	1.6	2.4	C502_0420 EZ502U	710	880	41.69	667/16	3400	3000	4500	6.2	12	23	48
72	299	336	1.6	2.7	C502_0420 EZ701U	810	1600	41.69	667/16	3400	3000	4500	9.5	12	23	50
72	392	449	2.1	1.8	C502_0420 EZ503U	710	880	41.69	667/16	3400	3000	4500	8.6	12	23	50
72	485	582	2.6	1.6	C502_0420 EZ702U	920	1600	41.69	667/16	3400	3000	4500	15	12	23	53
72	546	647	3.0	1.5	C502_0420 EZ505U	920	1600	41.69	667/16	3400	3000	4500	13	12	23	53
86	251	282	1.5	3.2	C502_0350 EZ701U	680	1600	35.00	35/1	3400	3000	4500	10	12	23	50
86	407	489	2.4	2.0	C502_0350 EZ702U	850	1600	35.00	35/1	3400	3000	4500	15	12	23	53
86	458	543	2.7	1.7	C502_0350 EZ505U	850	1600	35.00	35/1	3400	3000	4500	14	12	23	53
96	224	251	1.4	3.6	C502_0310 EZ701U	610	1520	31.23	406/13	3400	3000	4500	10	12	23	50
96	364	436	2.3	2.2	C502_0310 EZ702U	920	1520	31.23	406/13	3400	3000	4500	15	12	23	53
96	409	485	2.6	2.0	C502_0310 EZ505U	920	1520	31.23	406/13	3400	3000	4500	14	12	23	53
96	500	630	3.1	1.6	C502_0310 EZ703U	920	1520	31.23	406/13	3400	3000	4500	23	12	23	55
107	202	226	1.3	4.0	C502_0280 EZ701U	550	1600	28.10	5395/192	3400	3000	4500	11	12	23	50
107	327	392	2.2	2.4	C502_0280 EZ702U	850	1600	28.10	5395/192	3400	3000	4500	16	12	23	53
107	368	436	2.4	2.2	C502_0280 EZ505U	850	1600	28.10	5395/192	3400	3000	4500	14	12	23	53
107	450	567	3.0	1.8	C502_0280 EZ703U	850	1600	28.10	5395/192	3400	3000	4500	24	12	23	55
120	180	202	1.3	4.4	C502_0250 EZ701U	490	1440	25.07	2407/96	3400	3000	4500	11	12	23	50
120	292	350	2.0	2.7	C502_0250 EZ702U	920	1440	25.07	2407/96	3400	3000	4500	16	12	23	53
120	328	389	2.3	2.4	C502_0250 EZ505U	920	1440	25.07	2407/96	3400	3000	4500	14	12	23	53
120	401	506	2.8	2.0	C502_0250 EZ703U	920	1440	25.07	2407/96	3400	3000	4500	24	12	23	55
128	168	188	1.2	4.8	C502_0230 EZ701U	450	1490	23.36	1495/64	3400	3000	4500	12	12	23	50
128	272	326	2.0	2.9	C502_0230 EZ702U	850	1490	23.36	1495/64	3400	3000	4500	17	12	23	53
128	306	363	2.2	2.6	C502_0230 EZ505U	850	1490	23.36	1495/64	3400	3000	4500	15	12	23	53
128	374	471	2.7	2.1	C502_0230 EZ703U	850	1490	23.36	1495/64	3400	3000	4500	25	12	23	55
144	243	291	1.9	3.3	C502_0210 EZ702U	830	1330	20.84	667/32	3400	3000	4500	17	12	23	53
144	273	323	2.1	2.9	C502_0210 EZ505U	920	1330	20.84	667/32	3400	3000	4500	15	12	23	53
144	334	421	2.6	2.4	C502_0210 EZ703U	920	1330	20.84	667/32	3400	3000	4500	25	12	23	55
144	431	611	3.3	1.9	C502_0210 EZ705U	920	1600	20.84	667/32	3400	3000	4500	37	12	23	60
170	205	246	1.7	3.9	C502_0175 EZ702U	700	1280	17.60	845/48	3100	2700	4000	18	12	23	53
170	231	273	1.9	3.5	C502_0175 EZ505U	850	1280	17.60	845/48	3100	2700	4000	17	12	23	53
170	282	355	2.4	2.8	C502_0175 EZ703U	850	1280	17.60	845/48	3100	2700	4000	26	12	23	55
170	364	516	3.0	2.2	C502_0175 EZ705U	850	1600	17.60	845/48	3100	2700	4000	39	12	23	60
170	381	634	3.2	2.1	C502_0175 EZ802U	850	1600	17.60	845/48	3100	2700	4000	63	12	23	68
191	183	219	1.6	4.4	C502_0155 EZ702U	620	1140	15.71	377/24	3100	2700	4000	18	12	23	53
191	206	244	1.8	3.9	C502_0155 EZ505U	910	1140	15.71	377/24	3100	2700	4000	17	12	23	53
191	251	317	2.2	3.2	C502_0155 EZ703U	910	1140	15.71	377/24	3100	2700	4000	26	12	23	55
191	325	460	2.9	2.5	C502_0155 EZ705U	920	1600	15.71	377/24	3100	2700	4000	39	12	23	60



# 11 C helical geared motors

## 11.2 Selection tables



$n_{2N}$ [rpm]	$M_{2N}$ [Nm]	$M_{2,0}$ [Nm]	$a_{in}$	S	Type	$M_{2acc}$ [Nm]	$M_{2NOT}$ [Nm]	i	$i_{exakt}$	$n_{1max}$ DBH [rpm]	$n_{1max}$ DBV [rpm]	$n_{1max}$ ZB [rpm]	$J_1$ [10 <sup>-4</sup> kgm <sup>2</sup> ]	$\Delta\varphi_2$ [arcmin]	$C_2$ [Nm/ arcmin]	m [kg]
<b>C5 (n<sub>1N</sub> = 3000 rpm, M<sub>2acc,max</sub> = 920 Nm)</b>																
191	340	565	3.0	2.4	C502_0155 EZ802U	920	1600	15.71	377/24	3100	2700	4000	63	12	23	68
215	162	195	1.5	4.9	C502_0140 EZ702U	550	1010	13.93	195/14	3100	2700	4000	20	12	23	53
215	182	216	1.7	4.4	C502_0140 EZ505U	810	1010	13.93	195/14	3100	2700	4000	18	12	23	53
215	223	281	2.1	3.6	C502_0140 EZ703U	810	1010	13.93	195/14	3100	2700	4000	28	12	23	55
215	288	408	2.7	2.8	C502_0140 EZ705U	850	1600	13.93	195/14	3100	2700	4000	40	12	23	60
215	301	501	2.8	2.6	C502_0140 EZ802U	850	1600	13.93	195/14	3100	2700	4000	64	12	23	68
215	359	651	3.4	2.2	C502_0140 EZ803U	850	1600	13.93	195/14	3100	2700	4000	90	12	23	75
241	145	174	1.5	5.0	C502_0125 EZ702U	490	900	12.43	87/7	3100	2700	4000	20	12	23	53
241	163	193	1.7	4.4	C502_0125 EZ505U	720	900	12.43	87/7	3100	2700	4000	18	12	23	53
241	199	251	2.1	3.6	C502_0125 EZ703U	720	900	12.43	87/7	3100	2700	4000	28	12	23	55
241	257	364	2.7	3.0	C502_0125 EZ705U	920	1600	12.43	87/7	3100	2700	4000	40	12	23	60
241	269	447	2.8	2.9	C502_0125 EZ802U	920	1600	12.43	87/7	3100	2700	4000	64	12	23	68
241	321	581	3.3	2.4	C502_0125 EZ803U	920	1600	12.43	87/7	3100	2700	4000	90	12	23	75
258	240	341	2.6	3.1	C502_0115 EZ705U	850	1600	11.64	1885/162	2800	2400	3500	42	12	23	60
258	252	419	2.8	3.0	C502_0115 EZ802U	850	1600	11.64	1885/162	2800	2400	3500	66	12	23	68
258	300	544	3.3	2.5	C502_0115 EZ803U	850	1600	11.64	1885/162	2800	2400	3500	91	12	23	75
289	215	304	2.6	3.4	C502_0105 EZ705U	920	1600	10.38	841/81	2800	2400	3500	42	12	23	60
289	225	374	2.7	3.2	C502_0105 EZ802U	920	1600	10.38	841/81	2800	2400	3500	66	12	23	68
289	268	485	3.2	2.7	C502_0105 EZ803U	920	1600	10.38	841/81	2800	2400	3500	92	12	23	75
324	191	271	2.5	3.6	C502_0093 EZ705U	850	1600	9.261	3445/372	2800	2400	3500	45	12	23	60
324	200	333	2.6	3.5	C502_0093 EZ802U	850	1600	9.261	3445/372	2800	2400	3500	69	12	23	68
324	239	433	3.2	2.9	C502_0093 EZ803U	850	1600	9.261	3445/372	2800	2400	3500	94	12	23	75
363	171	242	2.5	3.9	C502_0083 EZ705U	830	1600	8.263	1537/186	2800	2400	3500	45	12	23	60
363	179	297	2.6	3.8	C502_0083 EZ802U	800	1600	8.263	1537/186	2800	2400	3500	69	12	23	68
363	213	386	3.1	3.1	C502_0083 EZ803U	920	1600	8.263	1537/186	2800	2400	3500	94	12	23	75
386	90	108	1.9	4.4	C502_0078 EZ702U	310	500	7.763	621/80	3400	3000	4500	18	14	21	53
386	102	120	2.1	3.9	C502_0078 EZ505U	400	500	7.763	621/80	3400	3000	4500	16	14	21	53
386	124	157	2.6	3.2	C502_0078 EZ703U	400	500	7.763	621/80	3400	3000	4500	25	14	21	55
386	160	227	3.3	3.0	C502_0078 EZ705U	780	1110	7.763	621/80	3400	3000	4500	38	14	21	60
386	168	279	3.5	2.9	C502_0078 EZ802U	750	1110	7.763	621/80	3400	3000	4500	62	14	21	68
386	200	363	4.1	2.4	C502_0078 EZ803U	800	1110	7.763	621/80	3400	3000	4500	87	14	21	75
451	77	93	1.8	5.0	C502_0067 EZ702U	260	480	6.655	559/84	3100	2700	4000	19	14	21	53
451	87	103	2.0	4.4	C502_0067 EZ505U	390	480	6.655	559/84	3100	2700	4000	18	14	21	53
451	107	134	2.5	3.6	C502_0067 EZ703U	390	480	6.655	559/84	3100	2700	4000	27	14	21	55
451	137	195	3.2	3.4	C502_0067 EZ705U	670	1100	6.655	559/84	3100	2700	4000	40	14	21	60
451	144	239	3.4	3.2	C502_0067 EZ802U	650	1100	6.655	559/84	3100	2700	4000	64	14	21	68
451	172	311	4.0	2.7	C502_0067 EZ803U	800	1100	6.655	559/84	3100	2700	4000	89	14	21	75
513	68	82	1.8	5.0	C502_0059 EZ702U	230	430	5.850	117/20	3100	2700	4000	20	14	21	53
513	77	91	2.0	4.4	C502_0059 EZ505U	340	430	5.850	117/20	3100	2700	4000	18	14	21	53
513	94	118	2.4	3.6	C502_0059 EZ703U	340	430	5.850	117/20	3100	2700	4000	27	14	21	55
513	121	171	3.2	3.7	C502_0059 EZ705U	590	970	5.850	117/20	3100	2700	4000	40	14	21	60
513	127	211	3.3	3.5	C502_0059 EZ802U	570	970	5.850	117/20	3100	2700	4000	64	14	21	68
513	151	274	3.9	2.9	C502_0059 EZ803U	770	970	5.850	117/20	3100	2700	4000	89	14	21	75
570	61	74	1.7	5.0	C502_0053 EZ702U	210	380	5.265	258/49	3100	2700	4000	22	14	21	53
570	69	82	2.0	4.4	C502_0053 EZ505U	310	380	5.265	258/49	3100	2700	4000	20	14	21	53
570	84	106	2.4	3.6	C502_0053 EZ703U	310	380	5.265	258/49	3100	2700	4000	29	14	21	55
570	109	154	3.1	3.9	C502_0053 EZ705U	530	1000	5.265	258/49	3100	2700	4000	42	14	21	60
570	114	189	3.2	3.8	C502_0053 EZ802U	510	1000	5.265	258/49	3100	2700	4000	66	14	21	68
570	136	246	3.9	3.2	C502_0053 EZ803U	740	1000	5.265	258/49	3100	2700	4000	91	14	21	75
648	54	65	1.7	5.0	C502_0046 EZ702U	180	340	4.629	162/35	3100	2700	4000	22	14	21	53
648	61	72	1.9	4.4	C502_0046 EZ505U	270	340	4.629	162/35	3100	2700	4000	20	14	21	53
648	74	93	2.4	3.6	C502_0046 EZ703U	270	340	4.629	162/35	3100	2700	4000	30	14	21	55
648	96	136	3.0	4.3	C502_0046 EZ705U	470	880	4.629	162/35	3100	2700	4000	42	14	21	60
648	100	167	3.2	4.1	C502_0046 EZ802U	450	880	4.629	162/35	3100	2700	4000	66	14	21	68
648	119	216	3.8	3.4	C502_0046 EZ803U	650	880	4.629	162/35	3100	2700	4000	92	14	21	75
682	91	129	3.0	4.4	C502_0044 EZ705U	440	850	4.399	2494/567	2800	2400	3500	44	14	21	60
682	95	158	3.2	4.2	C502_0044 EZ802U	430	850	4.399	2494/567	2800	2400	3500	68	14	21	68
682	114	206	3.8	3.6	C502_0044 EZ803U	620	850	4.399	2494/567	2800	2400	3500	94	14	21	75
776	80	113	2.9	4.8	C502_0039 EZ705U	390	750	3.867	58/15	2800	2400	3500	45	14	21	60

C



# 11 C helical geared motors

## 11.2 Selection tables



$n_{2N}$	$M_{2N}$	$M_{2.0}$	$a_{th}$	S	Type	$M_{2acc}$	$M_{2NOT}$	i	$i_{\text{exakt}}$	$n_{1max}$ DBH	$n_{1max}$ DBV	$n_{1max}$ ZB	$J_1$	$\Delta\phi_2$	$C_2$	m
[rpm]	[Nm]	[Nm]				[Nm]	[Nm]			[rpm]	[rpm]	[rpm]	[10 <sup>-4</sup> kgm <sup>2</sup> ]	[arcmin]	[Nm/ arcmin]	[kg]
<b>C5 (<math>n_{1N} = 3000 \text{ rpm}</math>, <math>M_{2acc,max} = 920 \text{ Nm}</math>)</b>																
776	84	139	3.1	4.6	C502_0039 EZ802U	380	750	3.867	58/15	2800	2400	3500	69	14	21	68
776	100	181	3.7	3.9	C502_0039 EZ803U	540	750	3.867	58/15	2800	2400	3500	94	14	21	75
857	76	126	3.0	4.9	C502_0035 EZ802U	340	680	3.501	2279/651	2800	2400	3500	72	14	21	68
857	90	164	3.6	4.1	C502_0035 EZ803U	490	680	3.501	2279/651	2800	2400	3500	98	14	21	75
975	79	144	3.5	4.5	C502_0031 EZ803U	430	600	3.077	477/155	2800	2400	3500	99	14	21	75
1076	72	130	3.5	4.8	C502_0028 EZ803U	390	1010	2.787	301/108	2400	2000	3000	104	14	21	75
<b>C5 (<math>n_{1N} = 4500 \text{ rpm}</math>, <math>M_{2acc,max} = 920 \text{ Nm}</math>)</b>																
108	384	619	2.1	2.1	C502_0420 EZ505U	920	1600	41.69	667/16	3400	3000	4500	13	12	23	53
129	323	519	1.9	2.5	C502_0350 EZ505U	850	1600	35.00	35/1	3400	3000	4500	14	12	23	53
144	288	463	1.8	2.8	C502_0310 EZ505U	920	1520	31.23	406/13	3400	3000	4500	14	12	23	53
144	367	606	2.3	2.2	C502_0310 EZ703U	920	1520	31.23	406/13	3400	3000	4500	23	12	23	55
160	259	417	1.7	3.1	C502_0280 EZ505U	850	1600	28.10	5395/192	3400	3000	4500	14	12	23	53
160	330	545	2.2	2.4	C502_0280 EZ703U	850	1600	28.10	5395/192	3400	3000	4500	24	12	23	55
179	231	372	1.6	3.5	C502_0250 EZ505U	920	1440	25.07	2407/96	3400	3000	4500	14	12	23	53
179	294	486	2.1	2.7	C502_0250 EZ703U	920	1440	25.07	2407/96	3400	3000	4500	24	12	23	55
193	215	347	1.6	3.7	C502_0230 EZ505U	850	1490	23.36	1495/64	3400	3000	4500	15	12	23	53
193	274	453	2.0	2.9	C502_0230 EZ703U	850	1490	23.36	1495/64	3400	3000	4500	25	12	23	55
216	192	309	1.5	4.2	C502_0210 EZ505U	920	1330	20.84	667/32	3400	3000	4500	15	12	23	53
216	212	698	1.6	3.8	C502_0210 EZ802U	920	1600	20.84	667/32	3400	3000	4500	61	12	23	68
216	245	404	1.9	3.3	C502_0210 EZ703U	920	1330	20.84	667/32	3400	3000	4500	25	12	23	55
216	332	607	2.6	2.4	C502_0210 EZ705U	920	1600	20.84	667/32	3400	3000	4500	37	12	23	60
580	91	151	2.2	4.4	C502_0078 EZ703U	400	500	7.763	621/80	3400	3000	4500	25	14	21	55
580	123	226	2.9	3.4	C502_0078 EZ705U	780	1110	7.763	621/80	3400	3000	4500	38	14	21	60
<b>C6 (<math>n_{1N} = 2000 \text{ rpm}</math>, <math>M_{2acc,max} = 1650 \text{ Nm}</math>)</b>																
102	831	1257	4.0	1.7	C612_0195 EZ805U	1650	2560	19.61	549/28	3200	2900	4000	138	10	74	103
123	687	1039	3.9	1.9	C612_0160 EZ805U	1650	2900	16.20	1037/64	3200	2900	4000	140	10	74	103
141	600	907	3.8	2.1	C612_0140 EZ805U	1380	2600	14.15	976/69	3000	2600	3500	146	10	74	103
159	533	807	3.7	2.3	C612_0125 EZ805U	1650	2900	12.58	2013/160	3000	2600	3500	143	10	74	103
175	486	735	3.7	2.4	C612_0115 EZ805U	1380	2600	11.46	928/81	2700	2300	3300	150	10	74	103
198	429	648	3.6	2.6	C612_0100 EZ805U	1650	2900	10.11	3721/368	3000	2600	3500	147	10	74	103
219	387	585	3.5	2.8	C612_0091 EZ805U	1380	2600	9.118	848/93	2700	2300	3300	156	10	74	103
244	347	525	3.5	3.0	C612_0082 EZ805U	1630	2900	8.190	1769/216	2700	2300	3300	152	10	74	103
281	301	456	3.4	3.3	C612_0071 EZ805U	1380	2590	7.111	64/9	2300	1900	2800	165	10	74	103
307	276	418	3.3	3.5	C612_0065 EZ805U	1300	2370	6.518	3233/496	2700	2300	3300	158	10	74	103
393	215	326	3.2	4.2	C612_0051 EZ805U	1010	1850	5.083	611/12	2300	1900	2800	169	10	74	103
478	177	268	3.1	4.8	C612_0042 EZ805U	830	1520	4.184	2745/656	2300	1900	2800	180	10	74	103
<b>C6 (<math>n_{1N} = 3000 \text{ rpm}</math>, <math>M_{2acc,max} = 1650 \text{ Nm}</math>)</b>																
14	876	957	1.4	1.5	C613_2130 EZ501U	1380	2240	213.1	28768/135	3200	2900	4000	3.2	10	74	71
17	721	788	1.3	1.8	C613_1750 EZ501U	1380	2010	175.3	7888/45	3200	2900	4000	3.2	10	74	71
22	554	606	1.1	2.3	C613_1350 EZ501U	1380	1720	134.8	15776/117	3200	2900	4000	3.3	10	74	71
22	954	1031	1.9	1.4	C613_1350 EZ502U	1380	1720	134.8	15776/117	3200	2900	4000	5.6	10	74	72
24	898	1007	1.6	1.6	C613_1270 EZ701U	1650	2900	126.9	48739/384	3200	2900	4000	9.1	10	74	74
28	760	852	1.7	1.7	C613_1070 EZ701U	1380	2600	107.4	752/7	3200	2900	4000	9.3	10	74	74
28	436	477	1.0	2.9	C613_1060 EZ501U	1280	1600	106.1	3712/35	3200	2900	4000	3.4	10	74	71
28	750	811	1.7	1.7	C613_1060 EZ502U	1280	1600	106.1	3712/35	3200	2900	4000	5.7	10	74	72
31	691	775	1.4	2.1	C613_0980 EZ701U	1650	2900	97.63	243695/2496	3200	2900	4000	9.2	10	74	74
34	628	704	1.5	2.1	C613_0890 EZ701U	1380	2600	88.78	799/9	3200	2900	4000	9.4	10	74	74
34	360	394	1.0	3.2	C613_0880 EZ501U	1150	1430	87.64	3944/45	3200	2900	4000	3.5	10	74	71
34	620	670	1.7	1.8	C613_0880 EZ502U	1150	1430	87.64	3944/45	3200	2900	4000	5.8	10	74	72
39	543	609	1.3	2.7	C613_0770 EZ701U	1470	2560	76.80	8601/112	3200	2900	4000	9.3	10	74	74
39	881	1057	2.1	1.6	C613_0770 EZ702U	1650	2560	76.80	8601/112	3200	2900	4000	15	10	74	76
40	312	341	1.2	2.9	C613_0760 EZ501U	910	1140	75.81	5307/70	3200	2900	4000	3.4	10	74	71
40	536	580	2.1	1.7	C613_0760 EZ502U	910	1140	75.81	5307/70	3200	2900	4000	5.7	10	74	72
44	494	555	1.4	2.6	C612_0690 EZ701U	1340	2360	68.89	620/9	3200	2900	4000	9.6	10	74	65
44	802	962	2.2	1.6	C612_0690 EZ702U	1380	2360	68.89	620/9	3200	2900	4000	15	10	74	68
47	449	504	1.2	3.1	C613_0630 EZ701U	1210	2290	63.46	48739/768	3200	2900	4000	9.4	10	74	74
47	728	874	2.0	1.9	C613_0630 EZ702U	1650	2290	63.46	48739/768	3200	2900	4000	15	10	74	76
47	1001	1262	2.7	1.4	C613_0630 EZ703U	1650	2290	63.46	48739/768	3200	2900	4000	23	10	74	78
54	396	444	1.2	3.3	C612_0550 EZ701U	1070	2240	55.11	496/9	3200	2900	4000	10	10	74	65



$n_{2N}$ [rpm]	$M_{2N}$ [Nm]	$M_{2.0}$ [Nm]	$a_{in}$	S	Type	$M_{2acc}$ [Nm]	$M_{2NOT}$ [Nm]	i	$i_{exact}$	$n_{1max}$ DBH [rpm]	$n_{1max}$ DBV [rpm]	$n_{1max}$ ZB [rpm]	$J_1$ [10 <sup>-4</sup> kgm <sup>2</sup> ]	$\Delta\varphi_2$ [arcmin]	$C_2$ [Nm/ arcmin]	m [kg]
<b>C6 (<math>n_{1N} = 3000 \text{ rpm}</math>, <math>M_{2acc,max} = 1650 \text{ Nm}</math>)</b>																
54	641	770	2.0	2.0	C612_0550 EZ702U	1380	2240	55.11	496/9	3200	2900	4000	15	10	74	68
61	349	391	1.2	3.7	C613_0490 EZ701U	940	1940	49.28	31537/640	3200	2900	4000	9.7	10	74	74
61	565	678	1.9	2.3	C613_0490 EZ702U	1550	1940	49.28	31537/640	3200	2900	4000	15	10	74	76
61	777	980	2.6	1.6	C613_0490 EZ703U	1550	1940	49.28	31537/640	3200	2900	4000	23	10	74	78
66	325	365	1.1	4.0	C612_0450 EZ701U	880	2010	45.33	136/3	3200	2900	4000	11	10	74	65
66	528	633	1.8	2.5	C612_0450 EZ702U	1380	2010	45.33	136/3	3200	2900	4000	16	10	74	68
66	726	915	2.5	1.8	C612_0450 EZ703U	1380	2010	45.33	136/3	3200	2900	4000	24	10	74	70
76	283	317	1.1	4.3	C612_0390 EZ701U	760	1600	39.40	1891/48	3200	2900	4000	10	10	74	65
76	459	550	1.8	2.7	C612_0390 EZ702U	1280	1600	39.40	1891/48	3200	2900	4000	15	10	74	68
76	631	795	2.5	1.9	C612_0390 EZ703U	1280	1600	39.40	1891/48	3200	2900	4000	23	10	74	70
86	406	487	1.6	3.2	C612_0350 EZ702U	1380	1720	34.87	1360/39	3200	2900	4000	17	10	74	68
86	558	704	2.2	2.3	C612_0350 EZ703U	1380	1720	34.87	1360/39	3200	2900	4000	25	10	74	70
86	720	1022	2.8	1.8	C612_0350 EZ705U	1380	2600	34.87	1360/39	3200	2900	4000	38	10	74	75
93	233	261	0.8	4.9	C612_0320 EZ701U	630	1430	32.41	1037/32	3200	2900	4000	11	10	74	65
93	377	453	1.4	3.0	C612_0320 EZ702U	1150	1430	32.41	1037/32	3200	2900	4000	16	10	74	68
93	519	654	1.9	2.2	C612_0320 EZ703U	1150	1430	32.41	1037/32	3200	2900	4000	24	10	74	70
93	670	949	2.4	2.2	C612_0320 EZ705U	1650	2900	32.41	1037/32	3200	2900	4000	36	10	74	75
93	701	1166	2.5	2.1	C612_0320 EZ802U	1650	2900	32.41	1037/32	3200	2900	4000	60	10	74	84
109	319	383	1.4	4.0	C612_0270 EZ702U	1090	1600	27.43	192/7	3200	2900	4000	19	10	74	68
109	439	553	1.9	2.9	C612_0270 EZ703U	1280	1600	27.43	192/7	3200	2900	4000	27	10	74	70
109	567	804	2.5	2.3	C612_0270 EZ705U	1380	2600	27.43	192/7	3200	2900	4000	39	10	74	75
109	593	987	2.6	2.2	C612_0270 EZ802U	1380	2600	27.43	192/7	3200	2900	4000	63	10	74	84
120	290	348	1.3	3.4	C612_0250 EZ702U	980	1230	24.93	5185/208	3200	2900	4000	17	10	74	68
120	399	503	1.8	2.5	C612_0250 EZ703U	980	1230	24.93	5185/208	3200	2900	4000	25	10	74	70
120	515	730	2.3	2.6	C612_0250 EZ705U	1650	2900	24.93	5185/208	3200	2900	4000	38	10	74	75
120	539	897	2.4	2.5	C612_0250 EZ802U	1650	2900	24.93	5185/208	3200	2900	4000	62	10	74	84
120	643	1165	2.9	2.1	C612_0250 EZ803U	1650	2900	24.93	5185/208	3200	2900	4000	87	10	74	90
132	264	317	1.3	4.3	C612_0230 EZ702U	900	1430	22.67	68/3	3200	2900	4000	21	10	74	68
132	363	457	1.8	3.2	C612_0230 EZ703U	1150	1430	22.67	68/3	3200	2900	4000	29	10	74	70
132	468	664	2.3	2.8	C612_0230 EZ705U	1380	2600	22.67	68/3	3200	2900	4000	41	10	74	75
132	490	816	2.4	2.6	C612_0230 EZ802U	1380	2600	22.67	68/3	3200	2900	4000	65	10	74	84
132	585	1060	2.9	2.2	C612_0230 EZ803U	1380	2600	22.67	68/3	3200	2900	4000	90	10	74	90
153	228	274	1.3	4.0	C612_0195 EZ702U	780	1140	19.61	549/28	3200	2900	4000	19	10	74	68
153	314	396	1.7	2.9	C612_0195 EZ703U	910	1140	19.61	549/28	3200	2900	4000	27	10	74	70
153	405	574	2.2	3.0	C612_0195 EZ705U	1650	2560	19.61	549/28	3200	2900	4000	39	10	74	75
153	424	706	2.3	2.9	C612_0195 EZ802U	1650	2560	19.61	549/28	3200	2900	4000	63	10	74	84
153	506	917	2.8	2.4	C612_0195 EZ803U	1650	2560	19.61	549/28	3200	2900	4000	89	10	74	90
170	364	516	2.2	3.3	C612_0175 EZ705U	1380	2600	17.60	88/5	3000	2600	3500	44	10	74	75
170	381	633	2.3	3.1	C612_0175 EZ802U	1380	2600	17.60	88/5	3000	2600	3500	68	10	74	84
170	454	823	2.7	2.6	C612_0175 EZ803U	1380	2600	17.60	88/5	3000	2600	3500	94	10	74	90
185	189	226	1.2	4.3	C612_0160 EZ702U	640	1020	16.20	1037/64	3200	2900	4000	21	10	74	68
185	259	327	1.7	3.2	C612_0160 EZ703U	820	1020	16.20	1037/64	3200	2900	4000	29	10	74	70
185	335	475	2.2	3.5	C612_0160 EZ705U	1630	2290	16.20	1037/64	3200	2900	4000	41	10	74	75
185	350	583	2.3	3.3	C612_0160 EZ802U	1570	2290	16.20	1037/64	3200	2900	4000	65	10	74	84
185	418	758	2.7	2.8	C612_0160 EZ803U	1650	2900	16.20	1037/64	3200	2900	4000	91	10	74	90
212	292	414	2.1	3.8	C612_0140 EZ705U	1380	2520	14.15	976/69	3000	2600	3500	48	10	74	75
212	306	509	2.2	3.6	C612_0140 EZ802U	1370	2520	14.15	976/69	3000	2600	3500	72	10	74	84
212	365	661	2.6	3.0	C612_0140 EZ803U	1380	2600	14.15	976/69	3000	2600	3500	97	10	74	90
238	260	369	2.1	4.1	C612_0125 EZ705U	1270	2120	12.58	2013/160	3000	2600	3500	45	10	74	75
238	272	453	2.2	3.9	C612_0125 EZ802U	1220	2120	12.58	2013/160	3000	2600	3500	69	10	74	84
238	325	588	2.6	3.3	C612_0125 EZ803U	1650	2900	12.58	2013/160	3000	2600	3500	94	10	74	90
262	237	336	2.0	4.4	C612_0115 EZ705U	1160	2220	11.46	928/81	2700	2300	3300	52	10	74	75
262	248	412	2.1	4.2	C612_0115 EZ802U	1110	2220	11.46	928/81	2700	2300	3300	76	10	74	84
262	296	536	2.5	3.5	C612_0115 EZ803U	1380	2600	11.46	928/81	2700	2300	3300	101	10	74	90
297	209	296	2.0	4.7	C612_0100 EZ705U	1020	1800	10.11	3721/368	3000	2600	3500	49	10	74	75
297	219	364	2.1	4.5	C612_0100 EZ802U	980	1800	10.11	3721/368	3000	2600	3500	73	10	74	84
297	261	473	2.5	3.8	C612_0100 EZ803U	1420	2900	10.11	3721/368	3000	2600	3500	98	10	74	90
329	197	328	2.1	4.8	C612_0091 EZ802U	880	1770	9.118	848/93	2700	2300	3300	81	10	74	84

C



# 11 C helical geared motors

## 11.2 Selection tables



$n_{2N}$	$M_{2N}$	$M_{2,0}$	$a_{th}$	S	Type	$M_{zacc}$	$M_{2NOT}$	$i$	$i_{exakt}$	$n_{1max}$ DBH	$n_{1max}$ DBV	$n_{1max}$ ZB	$J_1$ [10 <sup>-4</sup> kgm <sup>2</sup> ]	$\Delta\phi_2$ [arcmin]	$C_2$ [Nm/arcmin]	m [kg]
[rpm]	[Nm]	[Nm]				[Nm]	[Nm]			[rpm]	[rpm]	[rpm]				
<b>C6 (<math>n_{1N} = 3000</math> rpm, <math>M_{zacc,max} = 1650</math> Nm)</b>																
329	235	426	2.4	4.1	C612_0091 EZ803U	1280	2600	9.118	848/93	2700	2300	3300	107	10	74	90
366	211	383	2.4	4.4	C612_0082 EZ803U	1150	2900	8.190	1769/216	2700	2300	3300	102	10	74	90
<b>C7 (<math>n_{1N} = 2000</math> rpm, <math>M_{zacc,max} = 2760</math> Nm)</b>																
79	1073	1623	2.8	2.2	C712_0250 EZ805U	2540	3170	25.31	405/16	3100	2900	3600	141	10	122	138
86	983	1486	3.3	2.0	C712_0230 EZ805U	2300	4000	23.18	255/11	3100	2900	3600	147	10	122	138
97	876	1325	2.6	2.7	C712_0210 EZ805U	2760	4800	20.67	1323/64	3100	2900	3600	144	10	122	138
110	774	1171	2.9	2.6	C712_0185 EZ805U	2300	4000	18.26	420/23	2900	2600	3400	153	10	122	138
120	709	1073	2.5	3.1	C712_0165 EZ805U	2760	4800	16.73	1071/64	3100	2900	3600	148	10	122	138
146	582	880	2.5	3.4	C712_0135 EZ805U	2300	4000	13.73	4380/319	2900	2600	3400	162	10	122	138
152	559	845	2.4	3.7	C712_0130 EZ805U	2620	4790	13.18	4851/368	2900	2600	3400	154	10	122	138
170	499	754	2.4	3.9	C712_0120 EZ805U	2300	4000	11.76	1035/88	2600	2300	3100	168	10	122	138
202	420	636	2.3	4.4	C712_0099 EZ805U	1970	3610	9.912	4599/464	2900	2600	3400	164	10	122	138
212	400	605	2.3	4.6	C712_0094 EZ805U	1880	3430	9.435	3840/407	2600	2300	3100	180	10	122	138
236	360	544	2.2	4.9	C712_0085 EZ805U	1690	3090	8.490	4347/512	2600	2300	3100	171	10	122	138
272	312	472	2.2	3.7	C712_0074 EZ805U	1140	1430	7.357	3480/473	2200	1900	2600	198	10	122	138
294	289	437	2.2	3.7	C712_0068 EZ805U	1060	1320	6.811	252/37	2600	2300	3100	184	10	122	138
377	225	341	2.1	3.7	C712_0053 EZ805U	820	1030	5.311	1827/344	2200	1900	2600	204	10	122	138
470	181	273	2.0	3.7	C712_0043 EZ805U	660	830	4.259	477/112	2200	1900	2600	228	10	122	138
<b>C7 (<math>n_{1N} = 3000</math> rpm, <math>M_{zacc,max} = 2760</math> Nm)</b>																
13	1574	1766	1.7	1.3	C713_2230 EZ701U	2300	4000	222.5	29375/132	3100	2900	3600	9.2	10	122	114
16	1297	1455	1.5	1.5	C713_1830 EZ701U	2300	4000	183.4	24205/132	3100	2900	3600	9.3	10	122	114
22	972	1090	1.3	2.1	C713_1370 EZ701U	2300	4000	137.3	10575/77	3100	2900	3600	9.5	10	122	114
23	936	1050	1.3	2.1	C713_1320 EZ701U	2530	3710	132.4	33887/256	3100	2900	3600	9.3	10	122	114
23	1519	1822	2.1	1.3	C713_1320 EZ702U	2760	3710	132.4	33887/256	3100	2900	3600	15	10	122	116
30	701	787	1.2	2.7	C713_0990 EZ701U	1900	3170	99.14	6345/64	3100	2900	3600	9.5	10	122	114
30	1137	1365	2.0	1.6	C713_0990 EZ702U	2530	3170	99.14	6345/64	3100	2900	3600	15	10	122	116
37	573	642	1.2	3.1	C713_0810 EZ701U	1550	2820	80.97	20727/256	3100	2900	3600	9.7	10	122	114
37	929	1115	1.9	1.9	C713_0810 EZ702U	2260	2820	80.97	20727/256	3100	2900	3600	15	10	122	116
37	1277	1610	2.6	1.4	C713_0810 EZ703U	2260	2820	80.97	20727/256	3100	2900	3600	23	10	122	118
43	499	560	1.0	4.0	C712_0700 EZ701U	1350	2650	69.55	765/11	3100	2900	3600	11	10	122	101
43	810	971	1.6	2.5	C712_0700 EZ702U	2120	2650	69.55	765/11	3100	2900	3600	16	10	122	103
43	1113	1403	2.1	1.8	C712_0700 EZ703U	2120	2650	69.55	765/11	3100	2900	3600	24	10	122	105
53	408	457	0.9	4.7	C712_0570 EZ701U	1100	2390	56.82	625/11	3100	2900	3600	12	10	122	101
53	661	794	1.4	2.9	C712_0570 EZ702U	1910	2390	56.82	625/11	3100	2900	3600	17	10	122	103
53	909	1146	1.9	2.1	C712_0570 EZ703U	1910	2390	56.82	625/11	3100	2900	3600	25	10	122	105
53	1174	1664	2.5	1.7	C712_0570 EZ705U	2300	4000	56.82	625/11	3100	2900	3600	37	10	122	111
59	1084	1803	2.0	2.2	C713_0510 EZ802U	2760	4800	50.85	18711/368	3100	2900	3600	61	10	122	132
64	336	377	0.8	4.9	C712_0470 EZ701U	910	2060	46.82	515/11	3100	2900	3600	13	10	122	101
64	545	654	1.3	3.0	C712_0470 EZ702U	1650	2060	46.82	515/11	3100	2900	3600	18	10	122	103
64	749	945	1.8	2.2	C712_0470 EZ703U	1650	2060	46.82	515/11	3100	2900	3600	26	10	122	105
64	967	1371	2.3	2.1	C712_0470 EZ705U	2300	4000	46.82	515/11	3100	2900	3600	39	10	122	111
64	1013	1685	2.4	2.0	C712_0470 EZ802U	2300	4000	46.82	515/11	3100	2900	3600	63	10	122	119
73	294	330	0.7	4.7	C712_0410 EZ701U	800	1730	41.02	2625/64	3100	2900	3600	12	10	122	101
73	477	573	1.1	2.9	C712_0410 EZ702U	1380	1730	41.02	2625/64	3100	2900	3600	17	10	122	103
73	656	828	1.6	2.1	C712_0410 EZ703U	1380	1730	41.02	2625/64	3100	2900	3600	25	10	122	105
73	847	1202	2.0	2.5	C712_0410 EZ705U	2510	4070	41.02	2625/64	3100	2900	3600	37	10	122	111
73	887	1476	2.1	2.4	C712_0410 EZ802U	2510	4070	41.02	2625/64	3100	2900	3600	62	10	122	119
73	1058	1918	2.5	2.0	C712_0410 EZ803U	2510	4070	41.02	2625/64	3100	2900	3600	87	10	122	125
86	408	490	1.1	3.8	C712_0350 EZ702U	1390	1960	35.07	2700/77	3100	2900	3600	21	10	122	103
86	561	707	1.5	2.8	C712_0350 EZ703U	1570	1960	35.07	2700/77	3100	2900	3600	29	10	122	105
86	724	1027	2.0	2.8	C712_0350 EZ705U	2300	4000	35.07	2700/77	3100	2900	3600	42	10	122	111
86	758	1262	2.0	2.6	C712_0350 EZ802U	2300	4000	35.07	2700/77	3100	2900	3600	66	10	122	119
86	905	1639	2.4	2.2	C712_0350 EZ803U	2300	4000	35.07	2700/77	3100	2900	3600	91	10	122	125
89	243	272	0.6	4.9	C712_0340 EZ701U	660	1490	33.80	2163/64	3100	2900	3600	13	10	122	101
89	393	472	0.9	3.0	C712_0340 EZ702U	1190	1490	33.80	2163/64	3100	2900	3600	19	10	122	103
89	541	682	1.2	2.2	C712_0340 EZ703U	1190	1490	33.80	2163/64	3100	2900	3600	27	10	122	105
89	698	990	1.6	3.4	C712_0340 EZ705U	2760	3710	33.80	2163/64	3100	2900	3600	39	10	122	111
89	731	1216	1.7	3.3	C712_0340 EZ802U	2760	3710	33.80	2163/64	3100	2900	3600	63	10	122	119
89	872	1580	2.0	2.8	C712_0340 EZ803U	2760	3710	33.80	2163/64	3100	2900	3600	88	10	122	125





## 11 C helical geared motors

## 11.2 Selection tables



$n_{2N}$	$M_{2N}$	$M_{2,0}$	$a_{in}$	S	Type	$M_{2acc}$	$M_{2NOT}$	$i$	$i_{exakt}$	$n_{1max}$ DBH	$n_{1max}$ DBV	$n_{1max}$ ZB	$J_1$ [10 <sup>-4</sup> kgm <sup>2</sup> ]	$\Delta\varphi_2$ [arcmin]	$C_2$ [Nm/ arcmin]	$m$ [kg]
[rpm]	[Nm]	[Nm]				[Nm]	[Nm]			[rpm]	[rpm]	[rpm]				
<b>C7 (<math>n_{1N} = 3000</math> rpm, <math>M_{2acc,max} = 2760</math> Nm)</b>																
105	592	839	1.8	3.4	C712_0290 EZ705U	2300	3910	28.64	315/11	3100	2900	3600	44	10	122	111
105	619	1031	1.9	3.2	C712_0290 EZ802U	2300	3910	28.64	315/11	3100	2900	3600	69	10	122	119
105	739	1339	2.2	2.7	C712_0290 EZ803U	2300	4000	28.64	315/11	3100	2900	3600	94	10	122	125
119	295	354	0.8	3.8	C712_0250 EZ702U	1010	1410	25.31	405/16	3100	2900	3600	22	10	122	103
119	405	511	1.2	2.8	C712_0250 EZ703U	1130	1410	25.31	405/16	3100	2900	3600	29	10	122	105
119	523	742	1.5	4.2	C712_0250 EZ705U	2540	3170	25.31	405/16	3100	2900	3600	42	10	122	111
119	548	911	1.6	4.1	C712_0250 EZ802U	2460	3170	25.31	405/16	3100	2900	3600	66	10	122	119
119	653	1183	1.9	3.4	C712_0250 EZ803U	2540	3170	25.31	405/16	3100	2900	3600	91	10	122	125
129	479	679	1.6	4.2	C712_0230 EZ705U	2300	3770	23.18	255/11	3100	2900	3600	48	10	122	111
129	501	834	1.7	4.0	C712_0230 EZ802U	2250	3770	23.18	255/11	3100	2900	3600	72	10	122	119
129	598	1084	2.0	3.3	C712_0230 EZ803U	2300	4000	23.18	255/11	3100	2900	3600	98	10	122	125
145	427	606	1.4	4.9	C712_0210 EZ705U	2090	2820	20.67	1323/64	3100	2900	3600	45	10	122	111
145	447	744	1.5	4.6	C712_0210 EZ802U	2010	2820	20.67	1323/64	3100	2900	3600	69	10	122	119
145	533	966	1.8	3.9	C712_0210 EZ803U	2760	4800	20.67	1323/64	3100	2900	3600	94	10	122	125
164	471	854	1.8	4.2	C712_0185 EZ803U	2300	4000	18.26	420/23	2900	2600	3400	104	10	122	125
179	432	782	1.7	4.5	C712_0165 EZ803U	2350	4800	16.73	1071/64	3100	2900	3600	99	10	122	125
<b>C8 (<math>n_{1N} = 2000</math> rpm, <math>M_{2acc,max} = 4800</math> Nm)</b>																
44	1930	2920	2.7	1.9	C812_0460 EZ805U	4140	7200	45.54	592/13	2900	2700	3400	144	10	204	198
50	1693	2561	2.4	2.2	C812_0400 EZ805U	3690	4610	39.94	2596/65	2900	2700	3400	142	10	145	198
57	1498	2265	2.4	2.4	C812_0350 EZ805U	4140	7200	35.33	106/3	2900	2700	3400	150	10	204	198
60	1424	2153	2.0	3.0	C812_0340 EZ805U	4800	8400	33.59	2183/65	2900	2700	3400	145	10	145	198
73	1164	1761	2.1	3.1	C812_0270 EZ805U	4140	7200	27.47	412/15	2900	2700	3400	159	10	204	198
77	1105	1671	1.8	3.8	C812_0260 EZ805U	4800	7450	26.06	3127/120	2900	2700	3400	151	10	145	198
86	983	1487	1.9	3.7	C812_0230 EZ805U	4140	7200	23.19	1600/69	2900	2700	3400	166	10	204	198
99	859	1299	1.7	4.5	C812_0200 EZ805U	4030	6760	20.26	6077/300	2900	2700	3400	160	10	145	198
116	733	1108	1.7	4.9	C812_0175 EZ805U	3440	6290	17.29	1504/87	2700	2400	3200	183	10	204	198
117	725	1096	1.6	5.0	C812_0170 EZ805U	3400	6220	17.10	1180/69	2900	2700	3400	168	10	145	198
157	540	817	1.6	3.6	C812_0125 EZ805U	1940	2430	12.75	5546/435	2700	2400	3200	186	10	145	198
<b>C8 (<math>n_{1N} = 3000</math> rpm, <math>M_{2acc,max} = 4800</math> Nm)</b>																
11	1909	2141	1.1	1.8	C813_2700 EZ701U	4140	6750	269.8	7285/27	2900	2700	3400	9.4	10	204	173
14	1501	1683	1.1	2.2	C813_2120 EZ701U	4060	6250	212.1	8272/39	2900	2700	3400	9.6	10	204	173
14	2433	2920	1.7	1.4	C813_2120 EZ702U	4140	6250	212.1	8272/39	2900	2700	3400	15	10	204	175
17	1262	1415	1.0	2.5	C813_1780 EZ701U	3410	5250	178.4	6956/39	2900	2700	3400	9.8	10	204	173
17	2046	2455	1.6	1.6	C813_1780 EZ702U	4140	5250	178.4	6956/39	2900	2700	3400	15	10	204	175
22	979	1098	0.9	3.1	C813_1380 EZ701U	2650	4650	138.4	2491/18	2900	2700	3400	10	10	204	173
22	1588	1905	1.5	1.9	C813_1380 EZ702U	3720	4650	138.4	2491/18	2900	2700	3400	15	10	204	175
22	2183	2752	2.1	1.4	C813_1380 EZ703U	3720	4650	138.4	2491/18	2900	2700	3400	23	10	204	177
28	761	854	0.9	3.8	C813_1080 EZ701U	2060	4210	107.6	4841/45	2900	2700	3400	11	10	204	173
28	1234	1481	1.4	2.3	C813_1080 EZ702U	3370	4210	107.6	4841/45	2900	2700	3400	16	10	204	175
28	1697	2139	1.9	1.7	C813_1080 EZ703U	3370	4210	107.6	4841/45	2900	2700	3400	24	10	204	177
30	2143	3565	2.0	1.7	C813_1010 EZ802U	4800	7450	100.5	28143/280	2900	2700	3400	61	10	204	191
33	643	721	0.8	4.3	C813_0910 EZ701U	1740	3570	90.82	18800/207	2900	2700	3400	11	10	204	173
33	1042	1250	1.4	2.6	C813_0910 EZ702U	2860	3570	90.82	18800/207	2900	2700	3400	16	10	204	175
33	1433	1806	1.9	1.9	C813_0910 EZ703U	2860	3570	90.82	18800/207	2900	2700	3400	24	10	204	177
34	1907	3172	1.9	1.9	C813_0890 EZ802U	4140	7200	89.44	14400/161	2900	2700	3400	62	10	204	191
38	561	630	1.0	3.8	C813_0790 EZ701U	1520	3110	79.34	285619/3600	2900	2700	3400	11	10	204	173
38	910	1092	1.6	2.3	C813_0790 EZ702U	2490	3110	79.34	285619/3600	2900	2700	3400	16	10	204	175
38	1251	1578	2.3	1.7	C813_0790 EZ703U	2490	3110	79.34	285619/3600	2900	2700	3400	24	10	204	177
38	1666	2771	1.8	2.1	C813_0780 EZ802U	4800	6760	78.13	54693/700	2900	2700	3400	61	10	204	191
38	1987	3600	2.2	1.7	C813_0780 EZ803U	4800	6760	78.13	54693/700	2900	2700	3400	87	10	204	197
44	1490	2479	1.7	2.4	C812_0690 EZ802U	4140	6750	68.89	620/9	2900	2700	3400	64	10	204	179
45	1406	2340	1.8	2.4	C813_0660 EZ802U	4800	6220	65.96	10620/161	2900	2700	3400	62	10	204	191
45	1677	3040	2.1	2.0	C813_0660 EZ803U	4800	6220	65.96	10620/161	2900	2700	3400	87	10	204	197
55	1171	1949	1.5	3.1	C812_0540 EZ802U	4140	6250	54.15	704/13	2900	2700	3400	67	10	204	179
55	1397	2532	1.8	2.6	C812_0540 EZ803U	4140	6250	54.15	704/13	2900	2700	3400	92	10	204	185
61	1048	1744	1.7	2.9	C813_0490 EZ802U	3710	4640	49.18	49914/1015	2900	2700	3400	63	10	204	191
61	1251	2266	2.0	2.4	C813_0490 EZ803U	3710	4640	49.18	49914/1015	2900	2700	3400	89	10	204	197
66	985	1639	1.4	3.7	C812_0460 EZ802U	4140	5250	45.54	592/13	2900	2700	3400	70	10	204	179
66	1175	2129	1.6	3.1	C812_0460 EZ803U	4140	7200	45.54	592/13	2900	2700	3400	95	10	204	185

C



# 11 C helical geared motors

## 11.2 Selection tables



$n_{2N}$	$M_{2N}$	$M_{2,0}$	$a_{th}$	S	Type	$M_{2acc}$	$M_{2NOT}$	i	$i_{exakt}$	$n_{1max}$ DBH	$n_{1max}$ DBV	$n_{1max}$ ZB	$J_1$ [10 <sup>-4</sup> kgm <sup>2</sup> ]	$\Delta\phi_2$ [arcmin]	$C_2$ [Nm/ arcmin]	m [kg]
[rpm]	[Nm]	[Nm]				[Nm]	[Nm]			[rpm]	[rpm]	[rpm]				
<b>C8 (<math>n_{1N} = 3000</math> rpm, <math>M_{2acc,max} = 4800</math> Nm)</b>																
75	864	1437	1.2	4.3	C812_0400 EZ802U	3690	4610	39.94	2596/65	2900	2700	3400	67	10	145	179
75	1030	1867	1.5	3.6	C812_0400 EZ803U	3690	4610	39.94	2596/65	2900	2700	3400	92	10	145	185
85	764	1272	1.2	4.7	C812_0350 EZ802U	3430	4650	35.33	106/3	2900	2700	3400	76	10	204	179
85	912	1652	1.4	3.9	C812_0350 EZ803U	4140	7200	35.33	106/3	2900	2700	3400	101	10	204	185
89	726	1209	1.1	4.3	C812_0340 EZ802U	3100	3870	33.59	2183/65	2900	2700	3400	70	10	145	179
89	867	1570	1.3	4.6	C812_0340 EZ803U	4720	8400	33.59	2183/65	2900	2700	3400	96	10	145	185
109	709	1284	1.3	4.8	C812_0270 EZ803U	3370	4210	27.47	412/15	2900	2700	3400	109	10	204	185
115	564	938	1.0	4.9	C812_0260 EZ802U	2530	3430	26.06	3127/120	2900	2700	3400	76	10	145	179
115	672	1218	1.2	4.1	C812_0260 EZ803U	2740	3430	26.06	3127/120	2900	2700	3400	102	10	145	185
148	523	947	1.2	4.8	C812_0200 EZ803U	2490	3110	20.26	6077/300	2900	2700	3400	111	10	145	185
<b>C9 (<math>n_{1N} = 3000</math> rpm, <math>M_{2acc,max} = 6500</math> Nm)</b>																
22	2961	4926	1.5	2.0	C913_1390 EZ802U	6500	10760	138.9	66105/476	2800	2600	3200	63	10	393	298
27	2354	3917	1.4	2.4	C913_1100 EZ802U	6500	9990	110.4	21645/196	2800	2600	3200	64	10	393	298
33	1923	3200	1.4	2.8	C913_0900 EZ802U	6500	8510	90.22	55575/616	2800	2600	3200	65	10	393	298
33	2294	4157	1.6	2.3	C913_0900 EZ803U	6500	8510	90.22	55575/616	2800	2600	3200	90	10	393	304
39	1657	2757	1.7	2.4	C913_0780 EZ802U	5630	7030	77.73	60939/784	2800	2600	3200	64	10	393	298
39	1977	3582	2.0	2.0	C913_0780 EZ803U	5630	7030	77.73	60939/784	2800	2600	3200	89	10	393	304



## 11.3 Dimensional drawings

In this chapter you can find the dimensions of the geared motors.

There is a dimensional drawing for every possible shaft/housing design, each with the tables for gear unit dimensions, motor dimensions and geared motor dimensions.

Dimensions can exceed the specifications of ISO 2768-mK due to casting tolerances or accumulation of individual tolerances.

We reserve the right to make dimensional changes due to ongoing technical development.

You can download CAD models of our standard drives at <http://cad.stoeber.de>.

Combination options and the dimensions of forced ventilated geared motors can be found at <http://cad.stoeber.de>.

### Tolerances

Axis height in accordance with DIN 747	Tolerance
Up to 50 mm	-0.4 mm
Up to 250 mm	-0.5 mm
Up to 630 mm	-0.6 mm

Solid shaft	Tolerance
Fit of shaft end $\varnothing \leq 50$ mm	DIN 748-1, ISO k6
Fit of shaft end $\varnothing > 50$ mm	DIN 748-1, ISO m6
Feather keys	DIN 6885-1, high form A

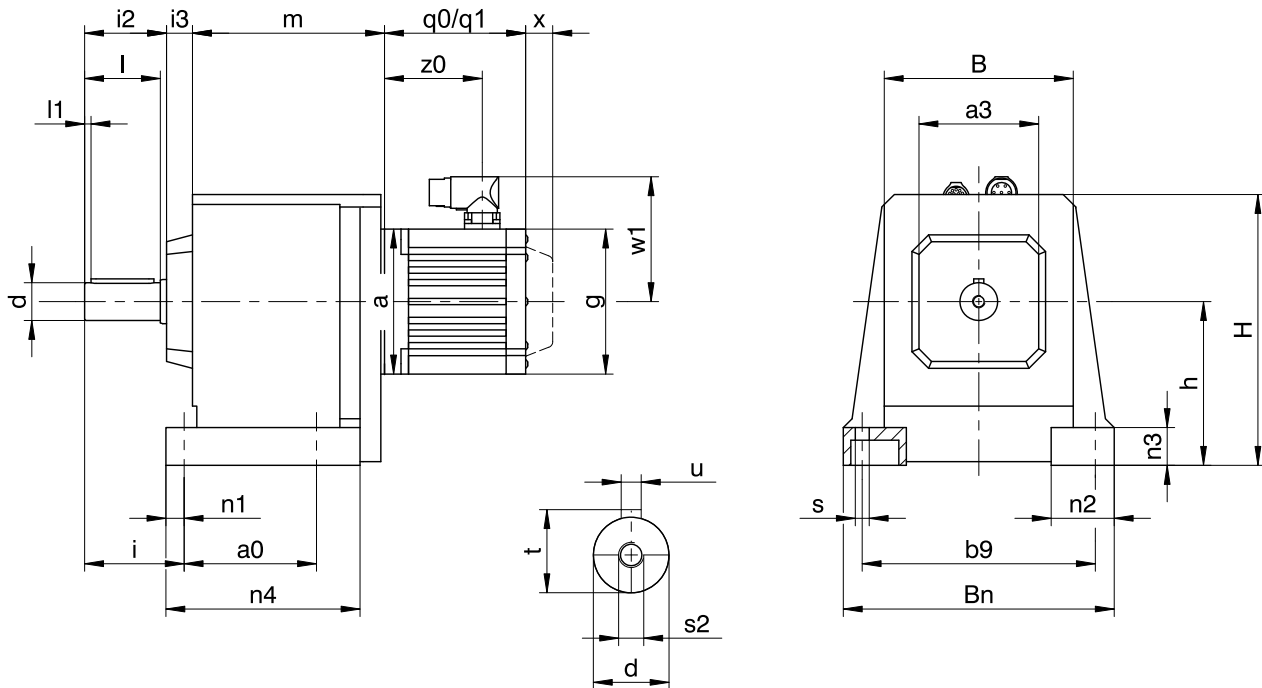
Flange	Pilot tolerance
Up to 300 mm	ISO j6
Starting at 350 mm	ISO h6

### Centering holes in solid shafts in accordance with DIN 332-2, DR form

Thread size	M4	M5	M6	M8	M10	M12	M16	M20	M24
Gewindetiefe	10	12.5	16	19	22	28	36	42	50



### 11.3.1 Solid shaft design with feather key, N housing design (base)



q0	Applies to motors without brake.	q1	Applies to motors with brake.
x	Applies to encoders using an optical measuring concept.	w1	For variation for One Cable Solution (OCS), see Chapter <a href="#">[ 22.4 ]</a>

**Options:** C0 – C5 also available with solid shaft without feather key; on request starting at C6.

#### Dimensions of gear units

Type	a0	a3	b9	B	Bn	Ød	h	H	i	i2	i3	l	l1	n1	n2	n3	n4	Øs	s2	t	u
C0	62	60	110	92	132	20 <sub>m6</sub>	82	144	55	44	13	40	3	11	35	20	95.0	7	M6	22.5	A6x6x32
C1	70	80	150	124	176	25 <sub>m6</sub>	102	177	67	54	15	50	5	13	42	25	117.5	9	M10	28.0	A8x7x40
C2	85	95	170	138	200	30 <sub>m6</sub>	115	195	79	65	21	60	5	14	50	30	134.5	11	M10	33.0	A8x7x50
C3	105	95	185	150	215	30 <sub>m6</sub>	130	215	79	65	20	60	5	14	50	30	153.5	11	M10	33.0	A8x7x50
C4	110	110	220	175	255	40 <sub>m6</sub>	145	245	105	86	20	80	5	19	60	35	180.0	14	M16	43.0	A12x8x70
C5	130	130	245	192	290	40 <sub>m6</sub>	170	290	108	86	21	80	5	22	70	40	197.0	18	M16	43.0	A12x8x70
C6	215	177	245	225	300	50 <sub>m6</sub>	200	315	130	106	47	100	5	25	75	40	265.0	18	M16	53.5	A14x9x90
C7	235	192	300	265	365	60 <sub>m6</sub>	235	375	163	127	58	120	5	25	90	50	285.0	18	M20	64.0	A18x11x100
C8	300	223	340	310	435	70 <sub>m6</sub>	290	450	190	148	70	140	5	29	95	55	360.0	22	M20	74.5	A20x12x125
C9	340	277	400	365	510	90 <sub>m6</sub>	340	530	222	178	78	170	5	34	110	60	410.0	26	M24	95.0	A25x14x140



**Dimensions of motors**

Type	□g	q0	q1	w1	x	z0
EZ301U	72	114.0	154.0	55.5	21	78.5
EZ302U	72	136.0	176.0	55.5	21	100.5
EZ303U	72	158.0	198.0	55.5	21	122.5
EZ401U	98	118.5	167.0	91.0	22	76.5
EZ402U	98	143.5	192.0	91.0	22	101.5
EZ404U	98	193.5	242.0	91.0	22	151.5
EZ501U	115	112.0	166.5	100.0	22	77.5
EZ502U	115	137.0	191.5	100.0	22	102.5
EZ503U	115	162.0	216.5	100.0	22	127.5
EZ505U	115	212.0	266.5	100.0	22	177.5
EZ701U	145	125.0	184.0	115.0	22	87.0
EZ702U	145	150.0	209.0	115.0	22	112.0
EZ703U	145	175.0	234.0	115.0	22	137.0
EZ705U	145	230.0	289.0	134.0	22	188.0
EZ802U	190	232.5	309.5	156.5	22	178.5
EZ803U	190	273.5	350.5	156.5	22	219.5
EZ805U	190	355.5	432.5	156.5	22	301.5

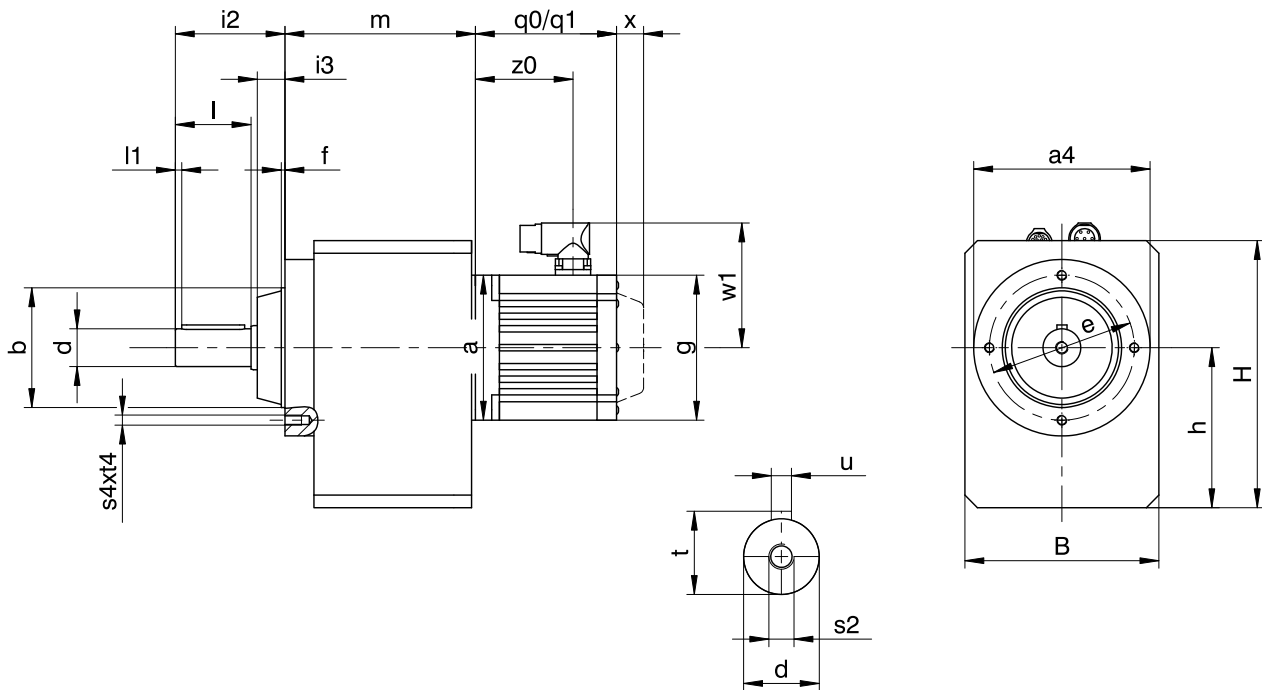
C

**Dimensions of geared motors**

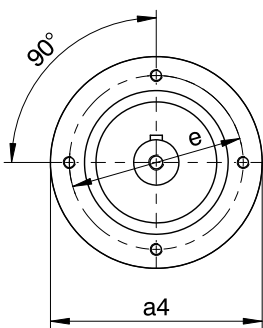
Type	EZ3		EZ4		EZ5		EZ7		EZ8	
	a	m	a	m	a	m	a	m	a	m
C002	□72	97.5	□98	97.5	□115	101.5	□145	103.5	-	-
C102	□72	118.0	□98	118.0	□115	122.0	□145	124.0	-	-
C103	∅140	155.0	-	-	-	-	-	-	-	-
C202	∅140	129.0	∅140	129.0	□115	133.0	□145	135.0	-	-
C203	∅140	166.0	-	-	-	-	-	-	-	-
C302	-	-	-	-	∅160	152.5	□145	154.5	□190	157.5
C303	∅140	185.5	∅140	185.5	-	-	-	-	-	-
C402	-	-	-	-	∅160	180.0	□145	182.0	□190	185.0
C403	-	-	-	-	∅160	223.0	-	-	-	-
C502	-	-	-	-	∅160	200.0	∅200	202.0	□190	205.0
C503	-	-	-	-	∅160	243.0	-	-	-	-
C612	-	-	-	-	-	-	∅200	180.0	□190	183.0
C613	-	-	-	-	∅160	222.0	∅200	242.0	-	-
C712	-	-	-	-	-	-	∅200	201.0	∅250	203.0
C713	-	-	-	-	-	-	∅200	262.0	∅250	274.0
C812	-	-	-	-	-	-	-	-	∅250	237.0
C813	-	-	-	-	-	-	∅200	296.0	∅250	308.0
C913	-	-	-	-	-	-	-	-	∅250	337.0



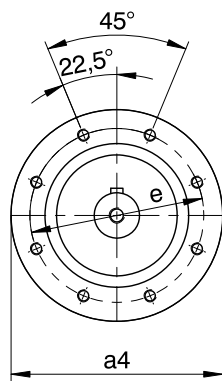
### 11.3.2 Solid shaft design with feather key, G housing design (pitch circle diameter)



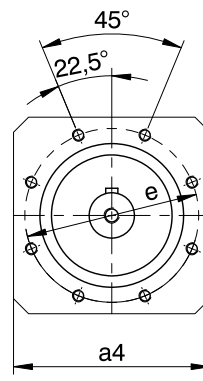
**C1-C4**



**C5**



**C6-C9**



q0	Applies to motors without brake.	q1	Applies to motors with brake.
x	Applies to encoders using an optical measuring concept.	w1	For variation for One Cable Solution (OCS), see Chapter <a href="#">[ 22.4 ]</a>

**Options:** C0 – C5 also available with solid shaft without feather key; on request starting at C6.

**Dimensions of gear units**

Type	a4	Øb	B	Ød	Øe	f	h	H	i2	i3	l	l1	s2	s4	t	t4	u
C0	Ø87	55 <sub>f6</sub>	97	20 <sub>k6</sub>	75	3.0	79.0	141.0	58	14	40	3	M6	M6	22.5	10	A6x6x32
C1	Ø120	80 <sub>f6</sub>	130	25 <sub>k6</sub>	100	3.0	100.0	175.0	71	17	50	5	M10	M6	28.0	13	A8x7x40
C2	Ø140	95 <sub>f6</sub>	142	30 <sub>k6</sub>	115	3.0	112.0	192.0	87	22	60	5	M10	M8	33.0	13	A8x7x50
C3	Ø140	95 <sub>f6</sub>	154	30 <sub>k6</sub>	115	3.0	127.0	212.0	87	22	60	5	M10	M8	33.0	13	A8x7x50
C4	Ø160	110 <sub>f6</sub>	178	40 <sub>k6</sub>	130	3.5	142.5	242.5	108	22	80	5	M16	M10	43.0	16	A12x8x70
C5	Ø192	130 <sub>f6</sub>	195	40 <sub>k6</sub>	165	3.5	166.0	286.0	109	23	80	5	M16	M10	43.0	16	A12x8x70
C6	□180	140 <sub>f6</sub>	225	50 <sub>k6</sub>	165	5.0	195.0	310.0	136	30	100	5	M16	M10	53.5	16	A14x9x90
C7	□195	155 <sub>f6</sub>	265	60 <sub>m6</sub>	185	8.0	231.0	371.0	164	37	120	5	M20	M12	64.0	19	A18x11x100
C8	□226	185 <sub>f6</sub>	310	70 <sub>m6</sub>	215	5.0	285.0	445.0	185	37	140	5	M20	M12	74.5	19	A20x12x125
C9	□280	230 <sub>f6</sub>	365	90 <sub>m6</sub>	265	5.0	334.0	524.0	220	42	170	5	M24	M16	95.0	26	A25x14x140



**Dimensions of motors**

Type	□g	q0	q1	w1	x	z0
EZ301U	72	114.0	154.0	55.5	21	78.5
EZ302U	72	136.0	176.0	55.5	21	100.5
EZ303U	72	158.0	198.0	55.5	21	122.5
EZ401U	98	118.5	167.0	91.0	22	76.5
EZ402U	98	143.5	192.0	91.0	22	101.5
EZ404U	98	193.5	242.0	91.0	22	151.5
EZ501U	115	112.0	166.5	100.0	22	77.5
EZ502U	115	137.0	191.5	100.0	22	102.5
EZ503U	115	162.0	216.5	100.0	22	127.5
EZ505U	115	212.0	266.5	100.0	22	177.5
EZ701U	145	125.0	184.0	115.0	22	87.0
EZ702U	145	150.0	209.0	115.0	22	112.0
EZ703U	145	175.0	234.0	115.0	22	137.0
EZ705U	145	230.0	289.0	134.0	22	188.0
EZ802U	190	232.5	309.5	156.5	22	178.5
EZ803U	190	273.5	350.5	156.5	22	219.5
EZ805U	190	355.5	432.5	156.5	22	301.5

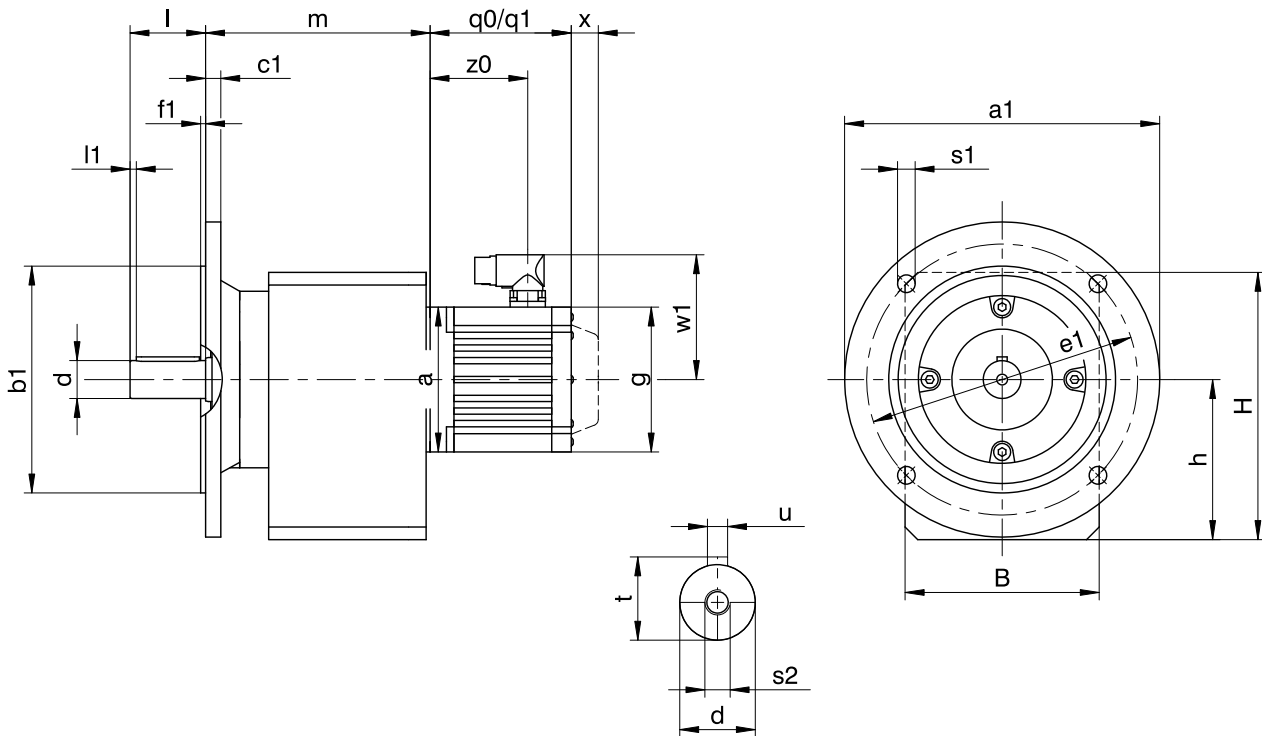


**Dimensions of geared motors**

Type	EZ3		EZ4		EZ5		EZ7		EZ8	
	a	m	a	m	a	m	a	m	a	m
C002	□72	96	□98	96	□115	100	□145	102	-	-
C102	□72	116	□98	116	□115	120	□145	122	-	-
C103	∅140	153	-	-	-	-	-	-	-	-
C202	∅140	128	∅140	128	□115	132	□145	134	-	-
C203	∅140	165	-	-	-	-	-	-	-	-
C302	-	-	-	-	∅160	151	□145	153	□190	156
C303	∅140	184	∅140	184	-	-	-	-	-	-
C402	-	-	-	-	∅160	178	□145	180	□190	183
C403	-	-	-	-	∅160	221	-	-	-	-
C502	-	-	-	-	∅160	198	∅200	200	□190	203
C503	-	-	-	-	∅160	241	-	-	-	-
C612	-	-	-	-	-	-	∅200	197	□190	200
C613	-	-	-	-	∅160	239	∅200	259	-	-
C712	-	-	-	-	-	-	∅200	222	∅250	224
C713	-	-	-	-	-	-	∅200	283	∅250	295
C812	-	-	-	-	-	-	-	-	∅250	270
C813	-	-	-	-	-	-	∅200	329	∅250	341
C913	-	-	-	-	-	-	-	-	∅250	373



### 11.3.3 Solid shaft design with feather key, F housing design (round flange)



q0	Applies to motors without brake.	q1	Applies to motors with brake.
x	Applies to encoders using an optical measuring concept.	w1	For variation for One Cable Solution (OCS), see Chapter <a href="#">[ 22.4 ]</a>

**Options:** C0 – C5 also available with solid shaft without feather key; on request starting at C6.

#### Dimensions of gear units

Type	Øa1	Øb1	B	c1	Ød	Øe1	f1	h	H	l	l1	Øs1	s2	t	u
C0	160	110 <sub>f6</sub>	97	10	20 <sub>k6</sub>	130	3.0	79.0	141.0	40	3	9	M6	22.5	A6x6x32
C1	200	130 <sub>f6</sub>	130	12	25 <sub>k6</sub>	165	3.5	100.0	175.0	50	5	11	M10	28.0	A8x7x40
C2	200	130 <sub>f6</sub>	142	12	30 <sub>k6</sub>	165	3.5	112.0	192.0	60	5	11	M10	33.0	A8x7x50
C3	250	180 <sub>f6</sub>	154	12	30 <sub>k6</sub>	215	4.0	127.0	212.0	60	5	14	M10	33.0	A8x7x50
C4	250	180 <sub>f6</sub>	178	14	40 <sub>k6</sub>	215	4.0	142.5	242.5	80	5	14	M16	43.0	A12x8x70
C5	300	230 <sub>f6</sub>	195	16	40 <sub>k6</sub>	265	4.0	166.0	286.0	80	5	14	M16	43.0	A12x8x70
C6	300	230 <sub>f6</sub>	225	17	50 <sub>k6</sub>	265	4.0	195.0	310.0	100	5	14	M16	53.5	A14x9x90
C7	350	250 <sub>h6</sub>	265	18	60 <sub>m6</sub>	300	5.0	231.0	371.0	120	5	18	M20	64.0	A18x11x100
C8	400	300 <sub>h6</sub>	310	20	70 <sub>m6</sub>	350	5.0	285.0	445.0	140	5	18	M20	74.5	A20x12x125
C9	450	350 <sub>h6</sub>	365	23	90 <sub>m6</sub>	400	5.0	334.0	524.0	170	5	18	M24	95.0	A25x14x140

#### Dimensions of additional round flanges

Type	Øa1	Øb1	c1	Øe1	f1	Øs1
C0	120	80 <sub>f6</sub>	10	100	3.0	7
C0	140	95 <sub>f6</sub>	10	115	3.0	9
C1	140	95 <sub>f6</sub>	8	115	3.5	9
C1	160	110 <sub>f6</sub>	10	130	3.5	9
C2	160	110 <sub>f6</sub>	10	130	3.5	9
C2	250	180 <sub>f6</sub>	12	215	4.0	14
C3	160	110 <sub>f6</sub>	10	130	3.5	9
C3	200	130 <sub>f6</sub>	12	165	3.5	11
C4	200	130 <sub>f6</sub>	14	165	3.5	11
C4	300	230 <sub>f6</sub>	14	265	4.0	14
C5	250	180 <sub>f6</sub>	14	215	4.0	14
C8	350	250 <sub>h6</sub>	18	300	5.0	18
C8	450	350 <sub>h6</sub>	20	400	5.0	18





**Dimensions of motors**

Type	□g	q0	q1	w1	x	z0
EZ301U	72	114.0	154.0	55.5	21	78.5
EZ302U	72	136.0	176.0	55.5	21	100.5
EZ303U	72	158.0	198.0	55.5	21	122.5
EZ401U	98	118.5	167.0	91.0	22	76.5
EZ402U	98	143.5	192.0	91.0	22	101.5
EZ404U	98	193.5	242.0	91.0	22	151.5
EZ501U	115	112.0	166.5	100.0	22	77.5
EZ502U	115	137.0	191.5	100.0	22	102.5
EZ503U	115	162.0	216.5	100.0	22	127.5
EZ505U	115	212.0	266.5	100.0	22	177.5
EZ701U	145	125.0	184.0	115.0	22	87.0
EZ702U	145	150.0	209.0	115.0	22	112.0
EZ703U	145	175.0	234.0	115.0	22	137.0
EZ705U	145	230.0	289.0	134.0	22	188.0
EZ802U	190	232.5	309.5	156.5	22	178.5
EZ803U	190	273.5	350.5	156.5	22	219.5
EZ805U	190	355.5	432.5	156.5	22	301.5

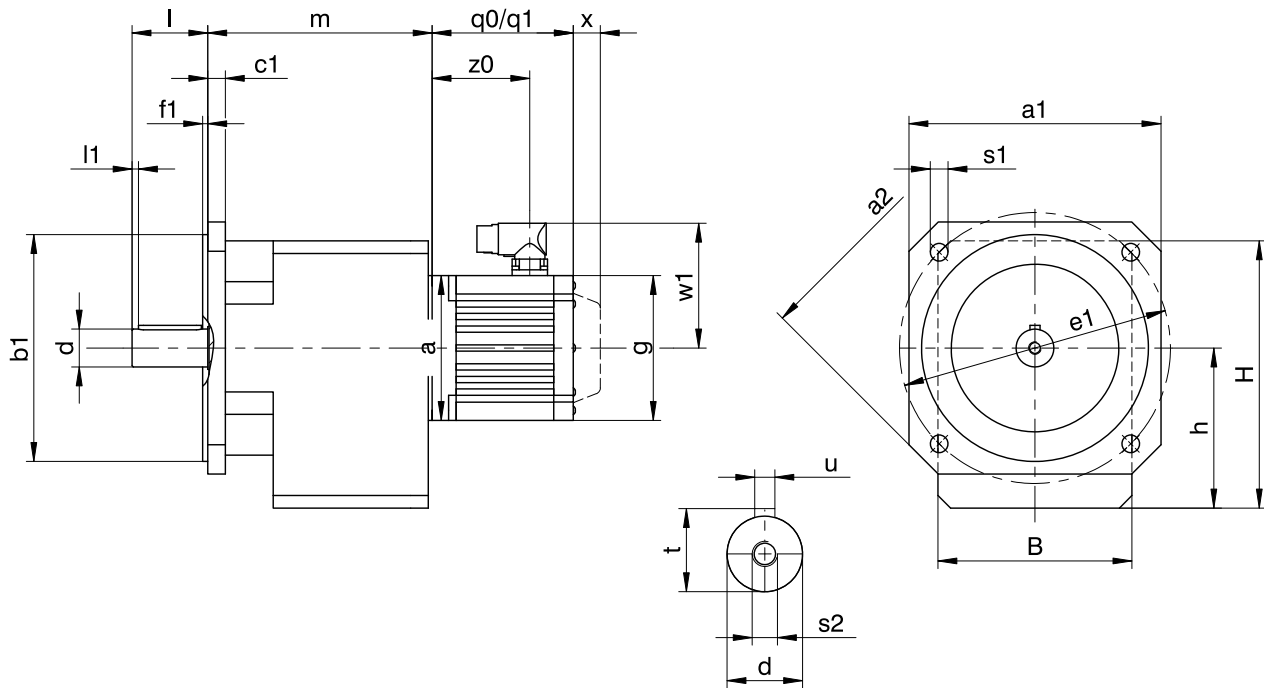
C

**Dimensions of geared motors**

Type	EZ3		EZ4		EZ5		EZ7		EZ8	
	a	m	a	m	a	m	a	m	a	m
C002	□72	114	□98	114	□115	118	□145	120	-	-
C102	□72	137	□98	137	□115	141	□145	143	-	-
C103	∅140	174	-	-	-	-	-	-	-	-
C202	∅140	155	∅140	155	□115	159	□145	161	-	-
C203	∅140	192	-	-	-	-	-	-	-	-
C302	-	-	-	-	∅160	178	□145	180	□190	183
C303	∅140	211	∅140	211	-	-	-	-	-	-
C402	-	-	-	-	∅160	206	□145	208	□190	211
C403	-	-	-	-	∅160	249	-	-	-	-
C502	-	-	-	-	∅160	227	∅200	229	□190	232
C503	-	-	-	-	∅160	270	-	-	-	-
C612	-	-	-	-	-	-	∅200	233	□190	236
C613	-	-	-	-	∅160	275	∅200	295	-	-
C712	-	-	-	-	-	-	∅200	266	∅250	268
C713	-	-	-	-	-	-	∅200	327	∅250	339
C812	-	-	-	-	-	-	-	-	∅250	315
C813	-	-	-	-	-	-	∅200	374	∅250	386
C913	-	-	-	-	-	-	-	-	∅250	423



### 11.3.4 Solid shaft design with feather key, Q housing design (square flange)



q0	Applies to motors without brake.	q1	Applies to motors with brake.
x	Applies to encoders using an optical measuring concept.	w1	For variation for One Cable Solution (OCS), see Chapter <a href="#">[ 22.4 ]</a>

**Options:** C0 – C5 also available with solid shaft without feather key; on request starting at C6.

#### Dimensions of gear units

Type	□a1	□a2	Øb1	B	c1	Ød	Øe1	f1	h	H	l	l1	Øs1	s2	t	u
C0	124	160	110 <sub>6</sub>	97	9	20 <sub>6</sub>	130	3.0	79.0	141.0	40	3	9	M6	22.5	A6x6x32
C1	145	192	130 <sub>6</sub>	130	11	25 <sub>6</sub>	165	3.5	100.0	175.0	50	5	11	M10	28.0	A8x7x40
C2	145	192	130 <sub>6</sub>	142	11	30 <sub>6</sub>	165	3.5	112.0	192.0	60	5	11	M10	33.0	A8x7x50
C3	200	250	180 <sub>6</sub>	154	14	30 <sub>6</sub>	215	4.0	127.0	212.0	60	5	14	M10	33.0	A8x7x50
C4	200	250	180 <sub>6</sub>	178	14	40 <sub>6</sub>	215	4.0	142.5	242.5	80	5	14	M16	43.0	A12x8x70

#### Dimensions of motors

Type	□g	q0	q1	w1	x	z0
EZ301U	72	114.0	154.0	55.5	21	78.5
EZ302U	72	136.0	176.0	55.5	21	100.5
EZ303U	72	158.0	198.0	55.5	21	122.5
EZ401U	98	118.5	167.0	91.0	22	76.5
EZ402U	98	143.5	192.0	91.0	22	101.5
EZ404U	98	193.5	242.0	91.0	22	151.5
EZ501U	115	112.0	166.5	100.0	22	77.5
EZ502U	115	137.0	191.5	100.0	22	102.5
EZ503U	115	162.0	216.5	100.0	22	127.5
EZ505U	115	212.0	266.5	100.0	22	177.5
EZ701U	145	125.0	184.0	115.0	22	87.0
EZ702U	145	150.0	209.0	115.0	22	112.0
EZ703U	145	175.0	234.0	115.0	22	137.0
EZ705U	145	230.0	289.0	134.0	22	188.0
EZ802U	190	232.5	309.5	156.5	22	178.5
EZ803U	190	273.5	350.5	156.5	22	219.5
EZ805U	190	355.5	432.5	156.5	22	301.5

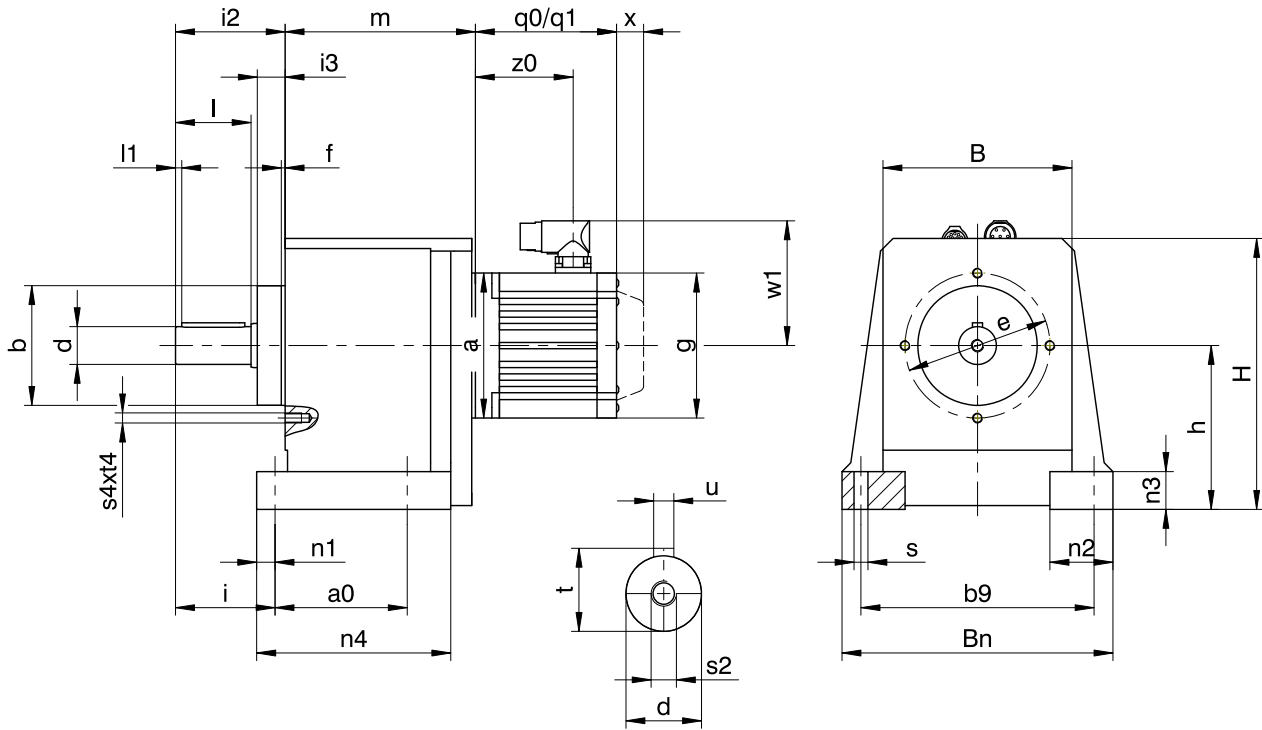


**Dimensions of geared motors**

Type	EZ3		EZ4		EZ5		EZ7		EZ8	
	a	m	a	m	a	m	a	m	a	m
C002	□72	114	□98	114	□115	118	□145	120	-	-
C102	□72	137	□98	137	□115	141	□145	143	-	-
C103	∅140	174	-	-	-	-	-	-	-	-
C202	∅140	155	∅140	155	□115	159	□145	161	-	-
C203	∅140	192	-	-	-	-	-	-	-	-
C302	-	-	-	-	∅160	178	□145	180	□190	183
C303	∅140	211	∅140	211	-	-	-	-	-	-
C402	-	-	-	-	∅160	206	□145	208	□190	211
C403	-	-	-	-	∅160	249	-	-	-	-



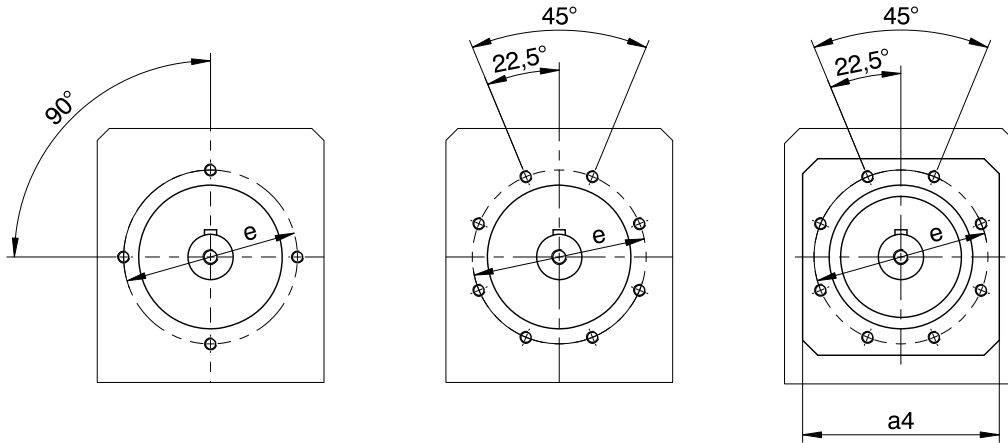
### 11.3.5 Solid shaft design with feather key, NG housing design (base + pitch circle diameter)



**C0-C4**

**C5**

**C6-C9**



q0	Applies to motors without brake.	q1	Applies to motors with brake.
x	Applies to encoders using an optical measuring concept.	w1	For variation for One Cable Solution (OCS), see Chapter <a href="#">22.4</a>

**Options:** C0 – C5 also available with solid shaft without feather key; on request starting at C6.

#### Dimensions of gear units

Type	a0	□a4	Øb	b9	B	Bn	Ød	Øe	f	h	H	i	i2	i3	l	l1	n1	n2	n3	n4	Øs	s2	s4	t	t4	u
C0	62	-	55 <sub>js</sub>	110	92	132	20 <sub>ks</sub>	75	3.0	82	144	55	58	14	40	3	11	35	20	95.0	7	M6	M6	22.5	10	A6x6x32
C1	70	-	80 <sub>js</sub>	150	124	176	25 <sub>ks</sub>	100	3.0	102	177	67	71	17	50	5	13	42	25	117.5	9	M10	M6	28.0	13	A8x7x40
C2	85	-	95 <sub>js</sub>	170	138	200	30 <sub>ks</sub>	115	3.0	115	195	79	87	22	60	5	14	50	30	134.5	11	M10	M8	33.0	13	A8x7x50
C3	105	-	95 <sub>js</sub>	185	150	215	30 <sub>ks</sub>	115	3.0	130	215	79	87	22	60	5	14	50	30	153.5	11	M10	M8	33.0	13	A8x7x50
C4	110	-	110 <sub>js</sub>	220	175	255	40 <sub>ks</sub>	130	3.5	145	245	105	108	22	80	5	19	60	35	180.0	14	M16	M10	43.0	16	A12x8x70
C5	130	-	130 <sub>js</sub>	245	192	290	40 <sub>ks</sub>	165	3.5	170	290	108	109	23	80	5	22	70	40	197.0	18	M16	M10	43.0	16	A12x8x70
C6	215	177	140 <sub>js</sub>	245	225	300	50 <sub>ks</sub>	165	5.0	200	315	130	164	30	100	5	25	75	40	265.0	18	M16	M10	53.5	16	A14x9x90
C7	235	192	155 <sub>js</sub>	340	265	365	60 <sub>ms</sub>	185	8.0	235	375	163	185	37	120	5	25	90	50	285.0	18	M20	M12	64.0	19	A18x11x100



# 11 C helical geared motors

## 11.3 Dimensional drawings



Type	a0	□a4	Øb	b9	B	Bn	Ød	Øe	f	h	H	i	i2	i3	l	l1	n1	n2	n3	n4	Øs	s2	s4	t	t4	u
C8	300	223	185 <sub>js</sub>	300	310	435	70 <sub>mh</sub>	215	5.0	290	450	190	220	37	140	5	29	95	55	360.0	22	M20	M12	74.5	19	A20x12x125
C9	340	277	230 <sub>js</sub>	400	365	510	90 <sub>mh</sub>	265	5.0	340	530	222	136	42	170	5	34	110	60	410.0	26	M24	M16	95.0	26	A25x14x140

### Dimensions of motors

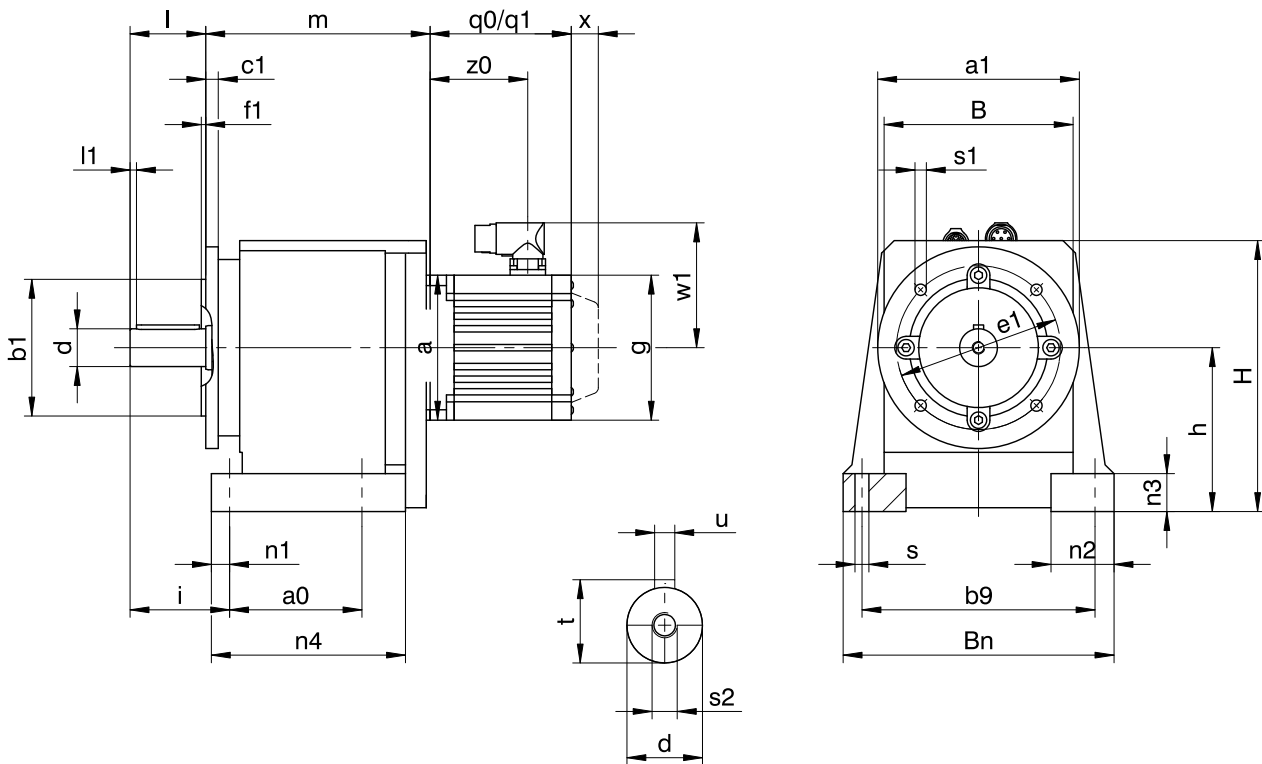
Type	□g	q0	q1	w1	x	z0
EZ301U	72	114.0	154.0	55.5	21	78.5
EZ302U	72	136.0	176.0	55.5	21	100.5
EZ303U	72	158.0	198.0	55.5	21	122.5
EZ401U	98	118.5	167.0	91.0	22	76.5
EZ402U	98	143.5	192.0	91.0	22	101.5
EZ404U	98	193.5	242.0	91.0	22	151.5
EZ501U	115	112.0	166.5	100.0	22	77.5
EZ502U	115	137.0	191.5	100.0	22	102.5
EZ503U	115	162.0	216.5	100.0	22	127.5
EZ505U	115	212.0	266.5	100.0	22	177.5
EZ701U	145	125.0	184.0	115.0	22	87.0
EZ702U	145	150.0	209.0	115.0	22	112.0
EZ703U	145	175.0	234.0	115.0	22	137.0
EZ705U	145	230.0	289.0	134.0	22	188.0
EZ802U	190	232.5	309.5	156.5	22	178.5
EZ803U	190	273.5	350.5	156.5	22	219.5
EZ805U	190	355.5	432.5	156.5	22	301.5

### Dimensions of geared motors

Type	EZ3		EZ4		EZ5		EZ7		EZ8	
	a	m	a	m	a	m	a	m	a	m
C002	□72	96	□98	96	□115	100	□145	102	-	-
C102	□72	116	□98	116	□115	120	□145	122	-	-
C103	Ø140	153	-	-	-	-	-	-	-	-
C202	Ø140	128	Ø140	128	□115	132	□145	134	-	-
C203	Ø140	165	-	-	-	-	-	-	-	-
C302	-	-	-	-	Ø160	151	□145	153	□190	156
C303	Ø140	184	Ø140	184	-	-	-	-	-	-
C402	-	-	-	-	Ø160	178	□145	180	□190	183
C403	-	-	-	-	Ø160	221	-	-	-	-
C502	-	-	-	-	Ø160	198	Ø200	200	□190	203
C503	-	-	-	-	Ø160	241	-	-	-	-
C612	-	-	-	-	-	-	Ø200	180	□190	183
C613	-	-	-	-	Ø160	222	Ø200	242	-	-
C712	-	-	-	-	-	-	Ø200	201	Ø250	203
C713	-	-	-	-	-	-	Ø200	262	Ø250	274
C812	-	-	-	-	-	-	-	-	Ø250	237
C813	-	-	-	-	-	-	Ø200	296	Ø250	308
C913	-	-	-	-	-	-	-	-	Ø250	337



### 11.3.6 Solid shaft design with feather key, NF housing design (base + round flange)



q0	Applies to motors without brake.	q1	Applies to motors with brake.
x	Applies to encoders using an optical measuring concept.	w1	For variation for One Cable Solution (OCS), see Chapter <a href="#">22.4</a>

Options: C0 – C5 also available with solid shaft without feather key; on request starting at C6.

#### Dimensions of gear units

Type	a0	Øa1	Øb1	b9	B	Bn	c1	Ød	Øe1	f1	h	H	i	l	l1	n1	n2	n3	n4	Øs	Øs1	s2	t	u
C0	62	160	110 <sub>β</sub>	110	92	132	10	20 <sub>k6</sub>	130	3.0	82	144	55	40	3	11	35	20	95	7	9	M6	22.5	A6x6x32
C1	70	200	130 <sub>β</sub>	150	124	176	12	25 <sub>k6</sub>	165	3.5	102	177	67	50	5	13	42	25	117.5	9	11	M10	28.0	A8x7x40
C2	85	200	130 <sub>β</sub>	170	138	200	12	30 <sub>k6</sub>	165	3.5	115	195	79	60	5	14	50	30	134.5	11	11	M10	33.0	A8x7x50
C3	105	250	180 <sub>β</sub>	185	150	215	12	30 <sub>k6</sub>	215	4.0	130	215	79	60	5	14	50	30	153.5	11	14	M10	33.0	A8x7x50
C4	110	250	180 <sub>β</sub>	220	175	255	14	40 <sub>k6</sub>	215	4.0	145	245	105	80	5	19	60	35	180	14	14	M16	43.0	A12x8x70
C5	130	300	230 <sub>β</sub>	245	192	290	16	40 <sub>k6</sub>	265	4.0	170	290	108	80	5	22	70	40	197	18	14	M16	43.0	A12x8x70
C6	215	300	230 <sub>β</sub>	245	225	300	17	50 <sub>k6</sub>	265	4.0	200	315	130	100	5	25	75	40	265	18	14	M16	53.5	A14x9x90
C7	235	350	250 <sub>h6</sub>	340	265	365	18	60 <sub>m6</sub>	300	5.0	235	375	163	120	5	25	90	50	285	18	18	M20	64.0	A18x11x100
C8	300	400	300 <sub>h6</sub>	300	310	435	20	70 <sub>m6</sub>	350	5.0	290	450	190	140	5	29	95	55	360	22	18	M20	74.5	A20x12x125
C9	340	450	350 <sub>h6</sub>	400	365	510	23	90 <sub>m6</sub>	400	5.0	340	530	222	170	5	34	110	60	410	26	18	M24	95.0	A25x14x140

#### Dimensions of additional round flanges

Type	Øa1	Øb1	c1	Øe1	f1	Øs1
C0	120	80 <sub>β</sub>	10	100	3.0	7
C0	140	95 <sub>β</sub>	10	115	3.0	9
C1	140	95 <sub>β</sub>	8	115	3.5	9
C1	160	110 <sub>β</sub>	10	130	3.5	9
C2	160	110 <sub>β</sub>	10	130	3.5	9
C2	250	180 <sub>β</sub>	12	215	4.0	14
C3	160	110 <sub>β</sub>	10	130	3.5	9
C3	200	130 <sub>β</sub>	12	165	3.5	11
C4	200	130 <sub>β</sub>	14	165	3.5	11
C4	300	230 <sub>β</sub>	14	265	4.0	14
C5	250	180 <sub>β</sub>	14	215	4.0	14



Type	Øa1	Øb1	c1	Øe1	f1	Øs1
C8	350	250 <sub>h6</sub>	18	300	5.0	18
C8	450	350 <sub>h6</sub>	20	400	5.0	18

Dimensions of motors

Type	□g	q0	q1	w1	x	z0
EZ301U	72	114.0	154.0	55.5	21	78.5
EZ302U	72	136.0	176.0	55.5	21	100.5
EZ303U	72	158.0	198.0	55.5	21	122.5
EZ401U	98	118.5	167.0	91.0	22	76.5
EZ402U	98	143.5	192.0	91.0	22	101.5
EZ404U	98	193.5	242.0	91.0	22	151.5
EZ501U	115	112.0	166.5	100.0	22	77.5
EZ502U	115	137.0	191.5	100.0	22	102.5
EZ503U	115	162.0	216.5	100.0	22	127.5
EZ505U	115	212.0	266.5	100.0	22	177.5
EZ701U	145	125.0	184.0	115.0	22	87.0
EZ702U	145	150.0	209.0	115.0	22	112.0
EZ703U	145	175.0	234.0	115.0	22	137.0
EZ705U	145	230.0	289.0	134.0	22	188.0
EZ802U	190	232.5	309.5	156.5	22	178.5
EZ803U	190	273.5	350.5	156.5	22	219.5
EZ805U	190	355.5	432.5	156.5	22	301.5

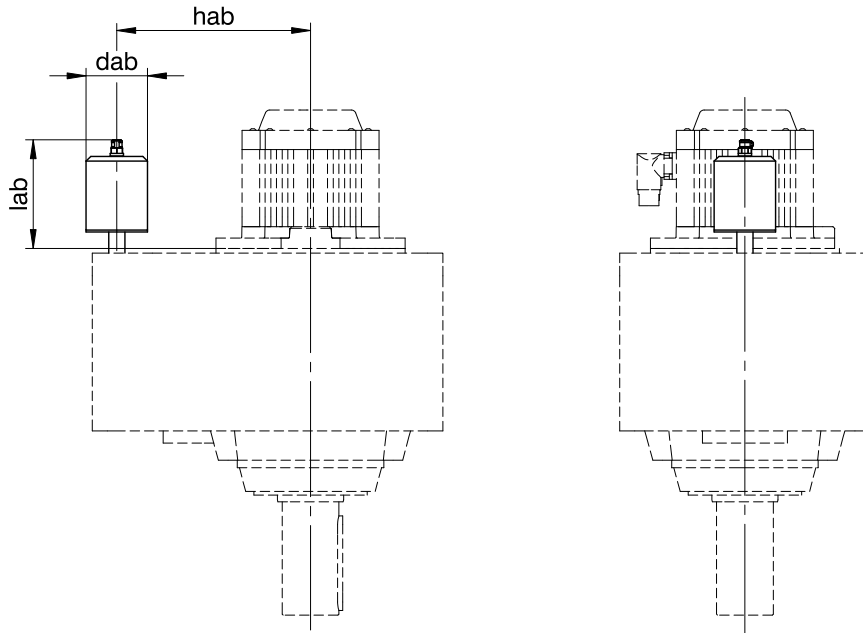


Dimensions of geared motors

Type	EZ3		EZ4		EZ5		EZ7		EZ8	
	a	m	a	m	a	m	a	m	a	m
C002	□72	114	□98	114	□115	118	□145	120	-	-
C102	□72	137	□98	137	□115	141	□145	143	-	-
C103	Ø140	174	-	-	-	-	-	-	-	-
C202	Ø140	155	Ø140	155	□115	159	□145	161	-	-
C203	Ø140	192	-	-	-	-	-	-	-	-
C302	-	-	-	-	Ø160	178	□145	180	□190	183
C303	Ø140	211	Ø140	211	-	-	-	-	-	-
C402	-	-	-	-	Ø160	206	□145	208	□190	211
C403	-	-	-	-	Ø160	249	-	-	-	-
C502	-	-	-	-	Ø160	227	Ø200	229	□190	232
C503	-	-	-	-	Ø160	270	-	-	-	-
C612	-	-	-	-	-	-	Ø200	216	□190	219
C613	-	-	-	-	Ø160	258	Ø200	278	-	-
C712	-	-	-	-	-	-	Ø200	245	Ø250	247
C713	-	-	-	-	-	-	Ø200	306	Ø250	318
C812	-	-	-	-	-	-	-	-	Ø250	282
C813	-	-	-	-	-	-	Ø200	341	Ø250	353
C913	-	-	-	-	-	-	-	-	Ø250	387



### 11.3.7 Oil expansion tank



#### Dimensions

Type	EZ7			EZ8		
	dab	hab	lab	dab	hab	lab
C612	65	170	112	65	170	112
C712	73	205	126	73	205	126

More information can be found in Chapter [▶ 11.6.4](#)





## 11.4 Type designation

In this chapter, you can find an explanation of the type designation with the associated options. Additional ordering information not included in the type designation can be found at the end of the chapter.

### Sample code

<b>C</b>	<b>2</b>	<b>0</b>	<b>2</b>	<b>N</b>	<b>0280</b>	<b>EZ401U</b>
----------	----------	----------	----------	----------	-------------	---------------

### Explanation

Code	Designation	Design
<b>C</b>	Type	Helical gear unit
<b>2</b>	Size	2 (example)
<b>0</b>	Generation	Generation 0
<b>1</b>		Generation 1
<b>2</b>	Stages	Two-stage
<b>3</b>		Three-stage
<b>G</b>	Housing	Pitch circle diameter
<b>F</b>		Round flange
<b>Q</b>		Square flange
<b>N</b>		Base
<b>NG</b>		Base + pitch circle diameter
<b>NF</b>		Base + round flange
<b>0280</b>	Transmission ratio (i x 10)	i = 28 (example)
<b>EZ401U</b>	Motor	EZ synchronous servo motor

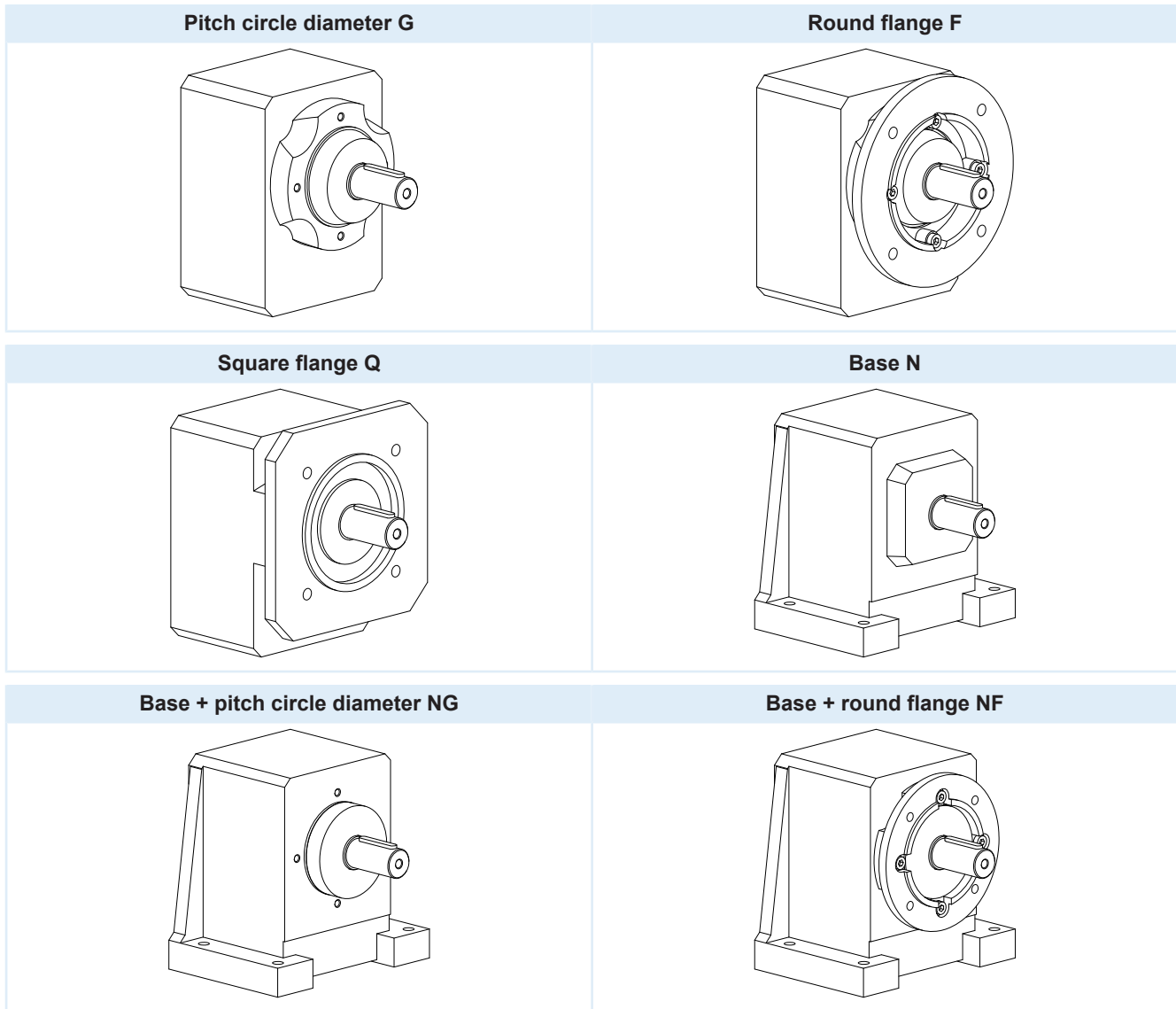
### In order to complete the type designation, also specify:

- A detailed type designation of the motor, see Chapter [\[ 22\]](#)
- The installation position, see Chapter [\[ 11.5.4\]](#)
- The position of the plug connectors, see Chapter [\[ 11.5.6\]](#)
- Oil expansion tank (recommended for gear units in installation position EL5), see Chapter [\[ 11.6.4\]](#)
- Standard or reinforced output bearing



## 11.5 Product description

### 11.5.1 Housing design



	G	F	Q	N	NG	NF
C0	✓	✓	✓	✓	✓	✓
C1	✓	✓	✓	✓	✓	✓
C2	✓	✓	✓	✓	✓	✓
C3	✓	✓	✓	✓	✓	✓
C4	✓	✓	✓	✓	✓	✓
C5	✓	✓	-	✓	✓	✓
C6	✓	✓	-	✓	✓	✓
C7	✓	✓	-	✓	✓	✓
C8	✓	✓	-	✓	✓	✓
C9	✓	✓	-	✓	✓	✓

### 11.5.2 Shaft design

Gear units in sizes C0 – C9 come standard with a solid shaft with feather key.



Gear units in sizes C0 – C5 can be ordered with the option of a solid shaft without feather key. Only upon request starting at size C6.

### 11.5.3 Installation conditions

#### Attaching the gear unit on the machine side using the pitch circle diameter

The specified torques and forces only apply when attaching gear units at the machine side using screws of quality 10.9. In addition, the gear housing must be adjusted at the pilot (H7).

### 11.5.4 Installation positions

The following table shows the standard installation positions.

The numbers identify the gear unit sides. The installation position is defined by the gear side facing downwards.

EL1 IMB3, IMB5, IMB14, IMB34, IMB35	EL2 IMB8	EL3 IMB7
<p style="text-align: center;"><b>1</b></p>	<p style="text-align: center;"><b>2</b></p>	<p style="text-align: center;"><b>3</b></p>
EL4 IMB6	EL5 IMV1, IMV5, IMV18	EL6 IMV3, IMV6, IMV19
<p style="text-align: center;"><b>4</b></p>	<p style="text-align: center;"><b>5</b></p>	<p style="text-align: center;"><b>6</b></p>

Since the lubricant filling volume of the gear unit depends on the installation position, the installation position must be specified when ordering.



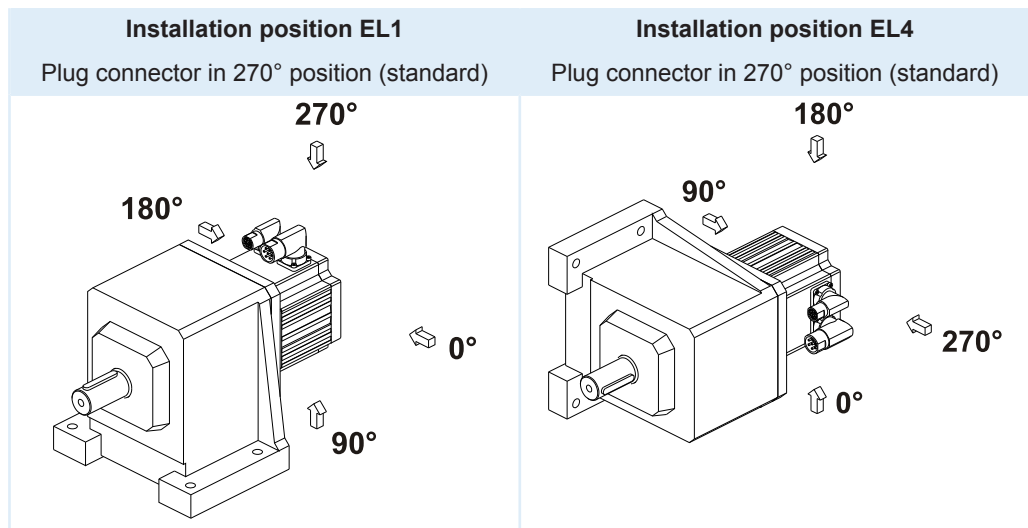
### 11.5.5 Lubricants

STÖBER fills the gear units with the amount and type of lubricant specified on the nameplate. The filling volume and the structure of the gear units depend on the installation position.

Only install the gear units in the intended installation position! Reposition the gear units only after consulting STÖBER. Otherwise, STÖBER assumes no liability for the gear units.

Lubricant filling quantities for gear units, document ID 441871, can be found online at <http://www.stoeber.de>

### 11.5.6 Position of the plug connectors



Indicate variations for your geared motor in the purchase order.

Note that the plug connector position rotates along with the geared motor if the geared motor is in another installation position.

### 11.5.7 Other product features

Feature	Value
Max. permitted gear unit temperature (on the surface of the gear unit)	≤ 80 °C
Paint	Black RAL 9005
(ATEX) Directive 2014/34/EU	Not suitable
<b>Protection class:</b> <sup>1</sup> Gear unit Motor	IP65 IP56, optionally IP66

### 11.5.8 Maintenance

The instructions for maintenance can be found in the operating instructions, ID 441972, at <http://www.stoeber.de/en/download>.

#### Ventilation

Air release valves are fitted as a standard feature for gear unit sizes C6 to C9.

<sup>1</sup> Observe the protection class of all the components.



### 11.5.9 Direction of rotation

C002 – C912	C103 – C913
The input and output rotate in the same direction.	The input and output rotate in opposite directions.

The pictures show installation position EL1.



## 11.6 Project configuration

Project your drive using our SERVOSOFT designing software. You can receive SERVOSOFT for free from your adviser at one of our sales centers. Observe the limit conditions in this chapter to ensure a safe design for your drives.

The formula symbols for values actually present in the application are marked with \*.

Formula symbol	Unit	Explanation
$a_{th}$	–	Parameter for calculating $K_{mot,th}$
$a_{thEL}$	–	Parameters for calculating $K_{mot,th}$ (dependent on the installation position)
ED	%	Duty cycle relative to 20 minutes
$fB_{op}$	–	Operating mode operating factor
$fB_t$	–	Run-time operating factor
$fB_T$	–	Temperature operating factor
$F_{2ax}^*$	N	Actual axial force at the gear unit output
$F_{2ax20}$	N	Permitted axial force on the gear unit output for $n_{2m} \leq 20$ rpm
$F_{2axN}$	N	Permitted nominal axial force at the gear unit output
$F_{2rad}^*$	N	Actual radial force on the gear unit output
$F_{2rad20}$	N	Permitted radial force on the gear unit output for $n_{2m} \leq 20$ rpm
$F_{2radN}$	N	Permitted nominal radial force at the gear unit output
$i$	–	Gear ratio
$K_{mot,th}$	–	Factor for determining the thermal limit torque
$l$	mm	Length of the output shaft
$M_{op}$	Nm	Torque of motor at the operating point from the motor characteristic curve at $n_{1m}^*$
$ M_2 $	Nm	Amount of torque on the output
$M_{2,1}^* - M_{2,6}^*$	Nm	Actual torque in the respective time segment (1 to 6)
$M_{2,n}^*$	Nm	Actual torque in the n-th time segment
$M_{2acc}$	Nm	Maximum permitted acceleration torque on the gear unit output
$M_{2acc}^*$	Nm	Actual acceleration torque on the gear unit output



Formula symbol	Unit	Explanation
$M_{2\text{eff}}^*$	Nm	Actual effective torque on the gear unit output
$M_{2\text{eq}}^*$	Nm	Equivalent torque present on the gear unit output
$M_{2k20}$	Nm	Permitted breakdown torque on the gear unit output for $n_{2m} \leq 20$ rpm
$M_{2kN}$	Nm	Permitted nominal breakdown torque on the gear unit output
$M_{2k}^*$	Nm	Actual breakdown torque on the gear unit output
$M_{2N}$	Nm	Nominal torque on the gear unit output (relative to $n_{1N}$ )
$M_{2\text{NOT}}$	Nm	Gear unit emergency-off torque on the gear unit output for max. 1000 load changes
$M_{2\text{NOT}}^*$	Nm	Actual emergency off torque for the gear unit on the gear unit output
$M_{2\text{th}}$	Nm	Thermal limit torque on the gear unit output
$n_{1m}^*$	rpm	Actual average input speed
$n_{1\text{max}}^*$	rpm	Actual maximum input speed
$n_{1\text{maxDBH}}$	rpm	Maximum permitted input speed of the gear unit in continuous operation Installation positions EL1, EL2, EL3, EL4
$n_{1\text{maxDBV}}$	rpm	Maximum permitted input speed of the gear unit in continuous operation Installation positions EL5, EL6
$n_{1\text{maxZB}}$	min <sup>-1</sup>	Maximum permitted input speed of the gear unit in cyclic operation
$ n_2 $	rpm	Value of output speed
$n_{2m}^*$	rpm	Actual average output speed
$n_{2m,1}^* - n_{2m,6}^*$	rpm	Actual average output speed in the respective time segment (1 to 6)
$n_{2m,n}^*$	rpm	Actual average output speed in the n-th time segment
$t$	s	Time
$t_1 - t_6$	s	Duration of the respective time segment (1 to 6)
$t_n$	s	Duration of the n-th time segment
$S$	–	Load value: Quotient of gear unit and motor nominal torque without regard to the thermal performance limit. Represents a value for the reserve of the geared motor.
$x_2$	mm	Distance of the shaft shoulder to the force application point
$y_2$	mm	Distance of the shaft axis to the axial force application point
$z_2$	mm	Distance of the shaft shoulder to the middle of the output bearing

### 11.6.1 Calculation of the operating point

Check the following conditions for operating points other than the nominal point  $M_{2N}$  specified in the selection tables.

**For installation positions EL1, EL2, EL3, EL4:**

$$n_{1m}^* \leq \frac{n_{1\text{maxDBH}}}{fB_T}$$

**For installation positions EL5, EL6:**

$$n_{1m}^* \leq \frac{n_{1\text{maxDBV}}}{fB_T}$$



For all installation positions:

$$n_{1\max} \leq \frac{n_{1\max ZB}}{fB_T}$$

$$M_{2\text{eff}} \leq M_{2\text{th}}$$

$$M_{2\text{acc}} \leq M_{2\text{acc}}$$

$$M_{2\text{NOT}} \leq M_{2\text{NOT}}$$

$$M_{2\text{eq}} \leq M_{2N} \cdot \frac{S}{fB_{\text{op}} \cdot fB_t}$$

The values for  $n_{1\max DBH}$  and  $n_{1\max DBV}$ ,  $n_{1\max ZB}$ ,  $M_{2\text{acc}}$ ,  $M_{2\text{NOT}}$ ,  $M_{2N}$  and  $S$  can be found in the selection tables.

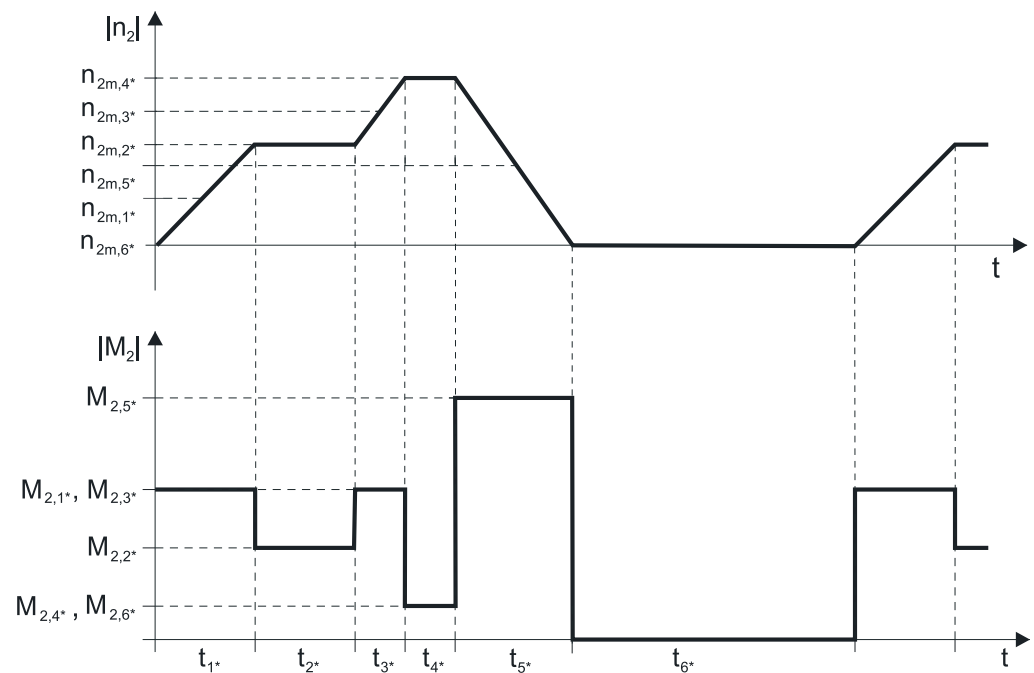
The values for  $fB_T$ ,  $fB_{\text{op}}$  and  $fB_t$  can be found in the corresponding tables in this chapter.

Calculate the thermal limit torque  $M_{2\text{th}}$  for a duty cycle > 50%.

C

### Example of cycle sequence

The following calculations are based on a representation of the power taken from the output based in accordance with the following example:



### Calculation of the actual average input speed

$$n_{1m} = n_{2m} \cdot i$$

$$n_{2m} = \frac{|n_{2m,1}| \cdot t_1 + \dots + |n_{2m,n}| \cdot t_n}{t_1 + \dots + t_n}$$

If  $t_1 + \dots + t_5 \geq 20$  min, calculate  $n_{2m}$  without the rest phase  $t_6$ .

The values for the ratio  $i$  can be found in the selection tables.



### Calculation of the actual effective torque

$$M_{2\text{eff}} = \sqrt{\frac{t_{1^*} \cdot M_{2,1^*}^2 + \dots + t_{n^*} \cdot M_{2,n^*}^2}{t_{1^*} + \dots + t_{n^*}}}$$

### Calculation of the actual equivalent torque

$$M_{2\text{eq}} = \sqrt[3]{\frac{|n_{2m,1^*}| \cdot t_{1^*} \cdot M_{2,1^*}^3 + \dots + |n_{2m,n^*}| \cdot t_{n^*} \cdot M_{2,n^*}^3}{|n_{2m,1^*}| \cdot t_{1^*} + \dots + |n_{2m,n^*}| \cdot t_{n^*}}}$$

### Calculation of the thermal limit torque

Calculate the thermal limit torque  $M_{2\text{th}}$  for a duty cycle  $ED > 50\%$  and the actual average input speed  $n_{1m^*}$ . (At  $K_{\text{mot,th}} \leq 0$  you must reduce the average input speed  $n_{1m^*}$  accordingly or select another geared motor size.)

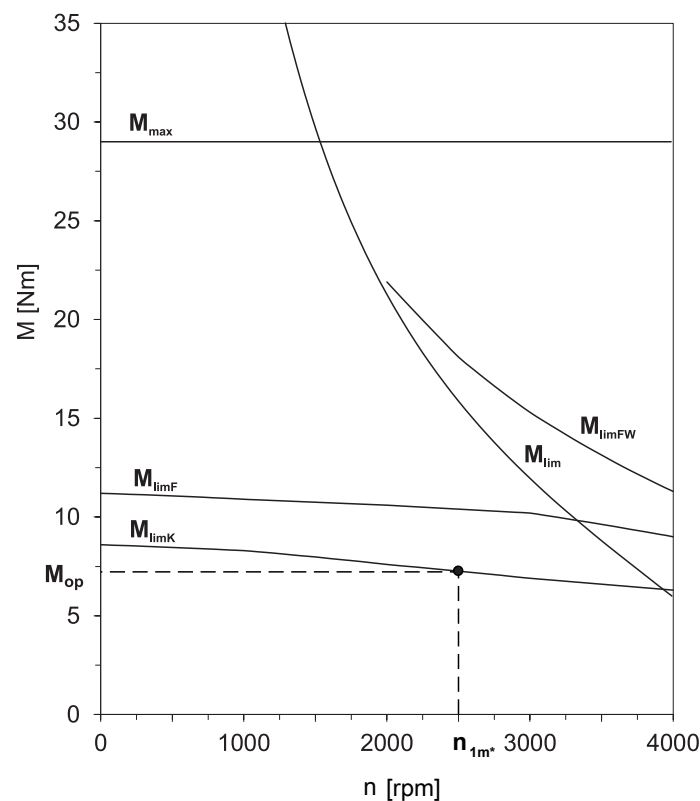
$$M_{2\text{th}} = M_{\text{op}} \cdot i \cdot K_{\text{mot,th}}$$

$$K_{\text{mot,th}} = 0,95 - \frac{a_{\text{th}}}{1000} \cdot a_{\text{thEL}} \cdot f_{\text{BT}} \cdot \left(\frac{n_{1m^*}}{1000}\right)^3$$

The values for  $i$  and  $a_{\text{th}}$  can be found in the selection tables.

The values for  $a_{\text{thEL}}$  and  $f_{\text{BT}}$  can be found in the corresponding tables in this chapter.

The value for the torque of the motor at operating point  $M_{\text{op}}$  with the determined average input speed  $n_{1m^*}$  can be found in the motor curve of Chapter [22.3](#). Note the size, nominal speed  $n_N$  and cooling type of the motor. The figure below shows an example of reading the torque  $M_{\text{op}}$  of a motor with convection cooling at the operating point.







**Operating factors**

**Parameter  $a_{thEL}$**

Installation position		$a_{thEL}$
EL1, 2, 5, 6		1.0
EL3, 4		1.1
Operating mode		$fB_{op}$
Uniform continuous operation		1.00
Cyclic operation		1.25
Reversing load cyclic operation		1.40
Run time		$fB_t$
Daily run time $\leq 8$ h		1.00
Daily run time $\leq 16$ h		1.15
Daily run time $\leq 24$ h		1.20
Temperature		$fB_T$
Motor cooling	Surrounding temperature	
Motor with forced ventilation	$\leq 20$ °C	0.9
	$\leq 30$ °C	1.0
	$\leq 40$ °C	1.15
Motor with convection cooling	$\leq 20$ °C	1.0
	$\leq 30$ °C	1.1
	$\leq 40$ °C	1.25

C

**Notes**

- The maximum permitted gear unit temperature (see the "Other product features" chapter) must not be exceeded. Doing so may result in damage to the geared motor.
- For braking from full speed (for example when the power fails or when setting up the machine), note the permitted gear unit torques ( $M_{2acc}$ ,  $M_{2NOT}$ ) in the selection tables.

**11.6.2 Permitted shaft loads for the output shaft**

The values specified in the tables apply to the permitted shaft loads:

- For shaft dimensions in accordance with the catalog
- For output speeds  $n_{2m} \leq 20$  rpm ( $F_{2axN} = F_{2ax20}$ ;  $F_{2radN} = F_{2rad20}$ ;  $M_{2kN} = M_{2k20}$ )
- Only if transverse forces on the gear unit are supported via its pilots (housing, flange shaft)

**Permitted shaft loads**

Type	$z_2$ [mm]	$F_{2ax20}$ [N]	$F_{2rad20}$ [N]	$M_{2k20}$ [Nm]
C0	20.0	500	1900	80
C1	30.0	850	3400	190
C2	30.0	1050	4200	260
C3	30.0	1400	5650	350
C4	35.0	2400	9700	750
C5	42.0	3000	11000	900
C6	40.0	4000	16000	1500



Type	$z_2$ [mm]	$F_{2ax20}$ [N]	$F_{2rad20}$ [N]	$M_{2k20}$ [Nm]
C7	45.0	5500	22000	2400
C8	50.0	7500	30000	3700
C9	55.0	9500	37000	5200

For other output speeds, download diagrams at <http://products.stoeber.de>.

The following applies to output speeds  $n_{2m^*} > 20$  rpm:

$$F_{2axN} = \frac{F_{2ax20}}{\sqrt[3]{\frac{n_{2m^*}}{20 \text{ rpm}}}} \quad F_{2radN} = \frac{F_{2rad20}}{\sqrt[3]{\frac{n_{2m^*}}{20 \text{ rpm}}}} \quad M_{2kN} = \frac{M_{2k20}}{\sqrt[3]{\frac{n_{2m^*}}{20 \text{ rpm}}}}$$

The values for  $F_{2ax20}$ ,  $F_{2rad20}$  and  $M_{2k20}$  can be found in the table "Permitted shaft loads" in this chapter.

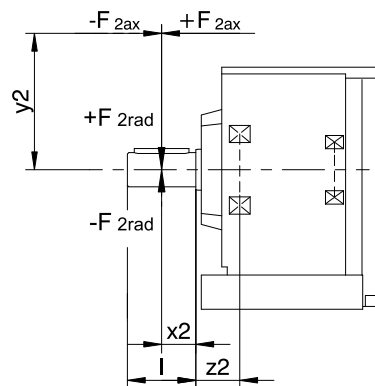


Fig. 1: Force application points

The specified values for  $F_{2rad20}$  are based on application of force at the middle of the output shaft:  $x_2 = l/2$ .

Shaft dimensions can be found in the "Dimensional drawings" chapter.

The following applies to other force application points:

$$M_{2k^*} = \frac{2 \cdot F_{2ax^*} \cdot y_2 + F_{2rad^*} \cdot (x_2 + z_2)}{1000} \leq M_{2kN}$$

$$F_{2rad^*} \leq F_{2radN}$$

$$F_{2ax^*} \leq F_{2axN}$$

For applications with multiple axial and/or radial forces, you must add the forces as vectors.

In the event of EMERGENCY OFF operation (max. 1000 load changes), you can multiply the permitted forces and torques for  $F_{2ax20}$ ,  $F_{2rad20}$  and  $M_{2k20}$  by a factor of two.

### 11.6.3 Radial shaft seal rings

#### Leak-proofness

Our gear units are equipped with high-quality radial shaft seal rings and checked for leak-proofness. However, a leak cannot be fully ruled out over the length of use of the gear unit. If you use the gear unit with goods incompatible with the lubricant, you must take measures to prevent direct contact with the gear unit lubricant in case of a leak.



### 11.6.4 Oil expansion tank

The gear units have a higher fill level in installation position EL5. The oil expansion tank prevents oil from escaping out of the gear unit.

#### Notes

- We recommend using an oil expansion tank in installation position EL5 (additional cost) for fast running gear units with an input speed  $n_1 > 1750$  rpm and gear ratios  $i < 20$ .
- It is not possible to use an oil expansion tank if the plug connector is at 90°!
- The oil expansion tank can only be used with certain sizes; see Chapter [▶ 11.3.7](#)

## 11.7 Additional documentation

Additional documentation related to the product can be found at <http://www.stoeber.de/en/download>

Enter the ID of the documentation in the Search... field.

Documentation	ID
Operating manual for gear units and motors	441972
Lubricant filling quantities for gear units	441871