



## **HZE**\_Air treatment units

- └ Modern design
- └ Modularity
- └ Easy assembly
- └ HZE0: G1/4" (40 mm)  
HZE1: G3/8" (63 mm)  
HZE2: G1/2" (80 mm)

# HZE

Air treatment units



Integrated pressure gauge standard supplied



Threaded square adaptor for round pressure gauge standard supplied (optional for size 0)



Gradual starter



Shut-off valve



Lockable valve



Diverter block



Fixing accessories



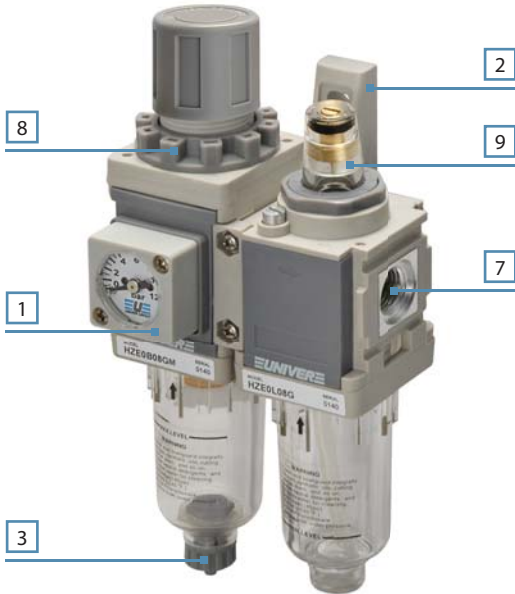
manual/semi-auto exhaust



automatic exhaust

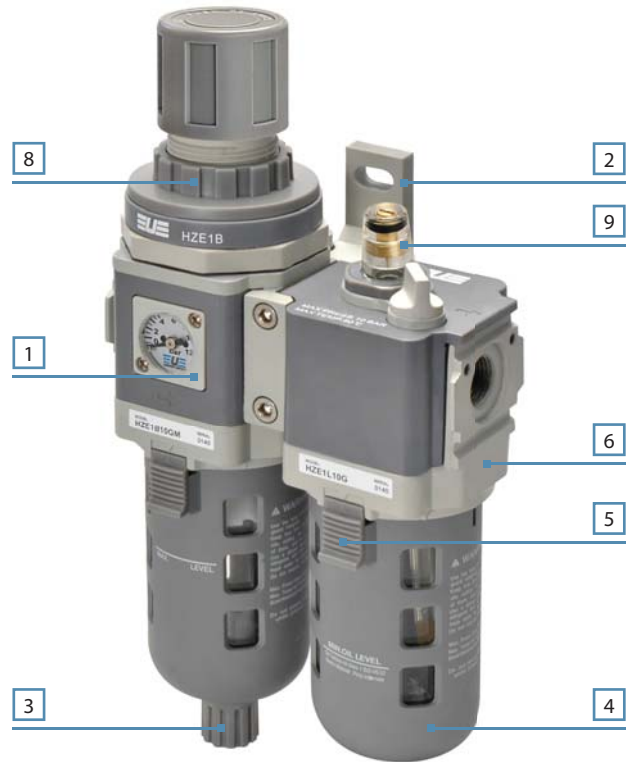
## \_size 0

- 1\_ Integrated pressure gauge standard supplied
- 2\_ T-bracket for wall mounting
- 3\_ Manual exhaust
- 7\_ Metal thread
- 8\_ Panel ring nut standard supplied
- 9\_ Transparent dome and integrated regulation



## \_size 1 - 2

- 1\_ Integrated pressure gauge standard supplied
- 2\_ T-bracket for wall mounting
- 3\_ Manual exhaust
- 4\_ Bowl with guard standard supplied
- 5\_ Safety locking device
- 6\_ Metal body
- 8\_ Panel ring nut standard supplied
- 9\_ Transparent dome and integrated regulation



TYPE	SIZE	POSITION	PRESSURE ADJUSTMENT		LOCKABLE REGULATOR	FILTRATION RATING		BOWL PROTECTION	CONDENSATION DRAIN			PRESSURE GAUGE		
			0,5 ÷ 8,5 bar	Altro		5 µm	40 µm		Manual	Semi-auto	Auto	Square integrated	G1/8 adaptor	
D	FR+L	0	G1/4"	■	○	—	■	○	—	■	○	—	■	○
		1	G3/8"-G1/2"	■	○	○	■	○	■	■	○	○	■	■
		2	G1/2"	■	○	○	■	○	■	■	○	○	■	■
C	F+R+L	0	G1/4"	■	○	—	■	○	—	■	○	—	■	○
		1	G3/8"-G1/2"	■	○	○	■	○	■	■	○	○	■	■
		2	G1/2"	■	○	○	■	○	■	■	○	○	■	■
B	FR	0	G1/4"	■	○	—	■	○	—	■	○	—	■	○
		1	G3/8"-G1/2"	■	○	○	■	○	■	■	○	○	■	■
		2	G1/2"	■	○	○	■	○	■	■	○	○	■	■
F	F	0	G1/4"	—	—	—	■	○	—	■	○	—	—	—
		1	G3/8"-G1/2"	—	—	—	■	○	■	■	○	○	—	—
		2	G1/2"	—	—	—	■	○	■	■	○	○	—	—
R	R	0	G1/4"	■	○	—	—	—	—	■	○	—	■	○
		1	G3/8"-G1/2"	■	○	○	—	—	■	■	○	○	■	■
		2	G1/2"	■	○	○	—	—	■	■	○	○	■	■
L	L	0	G1/4"	—	—	—	—	—	—	—	—	—	—	—
		1	G3/8"-G1/2"	—	—	—	—	—	■	—	—	—	—	—
		2	G1/2"	—	—	—	—	—	■	—	—	—	—	—

■ = standard

○ = upon request

— = not available

# HZE

## Air treatment units

New series available in 3 sizes

- HZE0 - G1/4" (40 mm)
- HZE1 - G3/8" (63 mm)
- HZE2 - G1/2" (80 mm)

Standard configurations

- Filter
- Regulator
- Lubricator
- Filter regulator (FR)
- Filter regulator + Lubricator (FR+L)
- Filter + Regulator + Lubricator (F+R+L)

Integrated square pressure gauge standard supplied (where foreseen)



## TECHNICAL CHARACTERISTICS

Ambient temperature	5 ÷ 60 °C
Fluid	compressed air, with or without lubrication
Working pressure	0 ÷ 10 bar
Max pressure	12 bar
Size	0 - 1 - 2

## CONSTRUCTIVE CHARACTERISTICS

Body	tecnopolymer with metal threaded elements (size 0) die-cast aluminium (size 1 - 2)
Knob	tecnopolymer
Ring nut	tecnopolymer
Bowl	polycarbonate
Bowl guard	tecnopolymer (size 1-2)
Filter element	synthetic fibre
Seals	nitrile rubber
Springs	steel
Diaphragm	fabric reinforced rubber

## CODIFICATION KEY

H	Z	E	0	B	0	8	G	M	
1	2	3	4	5	6				

1 Series	2 Size	3 Model
HZE	0 = small (G1/4") 1 = medium (G3/8" - G1/2") 2 = large (G1/2")	B = Filter regulator C = Filter+Regulator+Lubricator (F+R+L) D = Filter regulator+Lubricator (FR+L) F = Filter L = Lubricator R = Regulator

4 Port	5 Pressure gauge	6 Filtration
08G = G1/4" (tg.0) 10G = G3/8" (tg.1) 15G = G1/2" (tg.1 - 2)	blank = port G1/8 (upon request only for size 0) M = integrated square pressure gauge (standard)	blank = 5 micron (standard) su richiesta = other filtration ratings

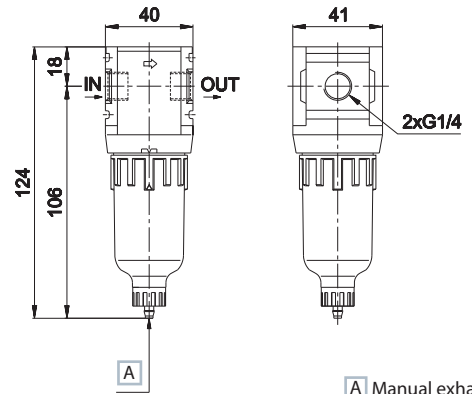
Size 0: G1/8 thread optional (code HZE7Z480)

Size 1 - 2: G1/8 square adaptor included for round pressure gauge mounting

Size	0	1	2	
Part no.	HZE0F08G	HZE1F10G	HZE1F15G	HZE2F15G
Threaded port	G1/4	G3/8	G1/2	G1/2
Filtration rating (µm)	5	5	5	5
Flow rate (NI/min) <sup>(A)</sup>	1100	3500	6500	6500
Max inlet pressure (bar-MPa-psi)	10 - 1 - 145	10 - 1 - 145	10 - 1 - 145	10 - 1 - 145
Fluid	compressed air	compressed air	compressed air	compressed air
Temperature (°C)	0 ÷ 60	0 ÷ 60	0 ÷ 60	0 ÷ 60
Condensation drain capacity (cm3)	12	45	80	80
Condensation drain	manual	manual	manual	manual
Weight (Kg)	0,10	0,31	0,55	0,55
Mounting position	vertical	vertical	vertical	vertical

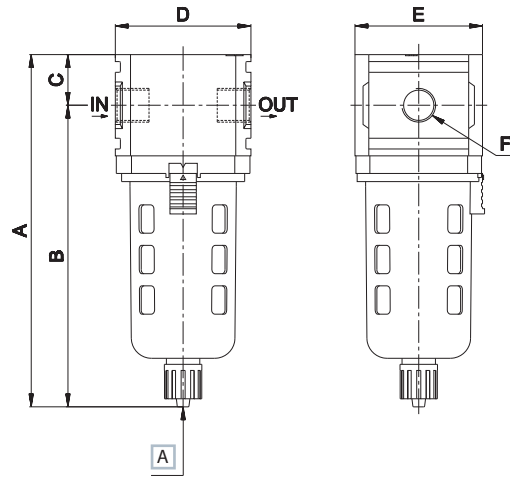
(A) = inlet pressure 6 bar, outlet pressure 5 bar - Δp 1 bar

HZE0F08G



A Manual exhaust

HZE1F10G - HZE1F15G / HZE2F15G



A Manual exhaust

size	A	B	C	D	E	F
1	180	157	23	63	63	G3/8-G1/2
2	195	172	23	80	80	G1/2

Size	0	1	2	
Part no.	HZE0R08GM	HZE1R10GM	HZE1R15GM	HZE2R15GM
Threaded port	G1/4	G3/8	G1/2	G1/2
Flow (NI/min) (A)	1000	2100	4300	
Max inlet pressure (bar-MPa-psi)	10 - 1 - 145	10 - 1 - 145	10 - 1 - 145	
Pressure adjustment relieving (bar) (D)	0,5 ÷ 8,5	0,5 ÷ 8,5	0,5 ÷ 8,5	
Pressure gauge (standard supplied)	HZ9464G	HZ9464G	HZ9464G	
Pressure gauge port	G1/8 (B)	G1/8 (C)	G1/8 (C)	
Fluid	aria filtrata	aria filtrata	aria filtrata	
Temperature (°C)	0 ÷ 60	0 ÷ 60	0 ÷ 60	
Weight (Kg)	0,16	0,45	0,70	
Mounting position	vertical/horizontal	vertical/horizontal	vertical/horizontal	

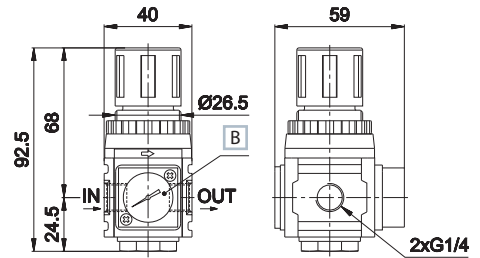
(A) = inlet pressure 6 bar, outlet pressure 5 bar - Δp 1 bar

(B) = optional (replace HZ9464G gauge with G1/8 adaptor HZE7Z480 to be ordered separately)

(C) = standard (replace HZ9464G gauge with G1/8 adaptor HZE7Z480 placed on the back side)

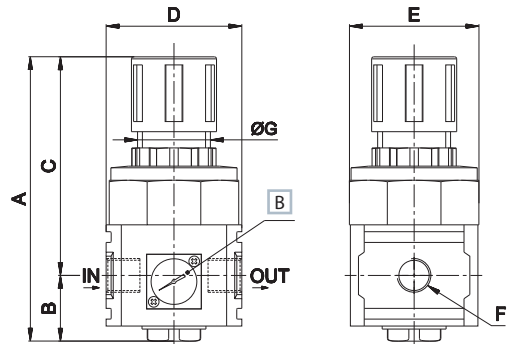
(D) = setting option 2 bar - 4 bar

HZE0R08GM



**B** HZ9464G gauge standard supplied

HZE1R10GM - HZE1R15GM / HZE2R15GM



**B** HZ9464G gauge standard supplied

size	A	B	C	D	E	F	G
1	136	32,5	103,5	63	63	G3/8-G1/2	40
2	145	34,5	110,5	80	80	G1/2	47

> Lockable regulator size 1 - 2



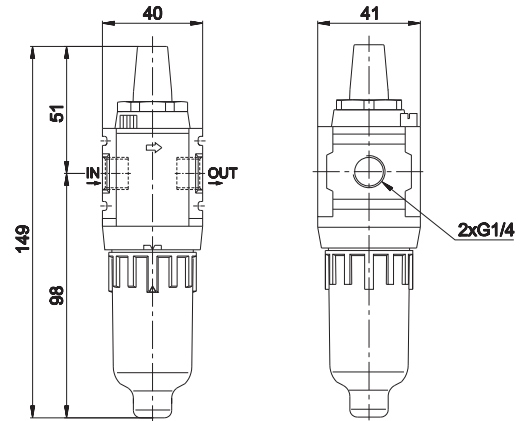
size	Part no.
1	HZE1RL10GM - HZE1RL15GM
2	HZE2RL15GM

Lock not included

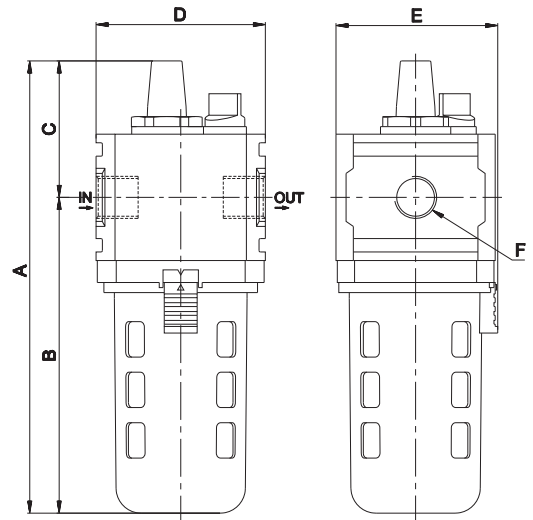
Size	0	1	2	
Part no.	HZE0L08G	HZE1L10G	HZE1L15G	HZE2L15G
Threaded port	G1/4	G3/8	G1/2	G1/2
Flow (NI/min) (A)	1400	4400	7000	
Max inlet pressure (bar-MPa-psi)	10-1-145	10-1-145	10-1-145	
Fluid	filtered air	filtered air	filtered air	
Temperature (°C)	0 ÷ 60	0 ÷ 60	0 ÷ 60	
Bowl capacity (cm3)	20	85	170	
Weight (Kg)	0,10	0,31	0,46	
Mounting position	vertical	vertical	vertical	
Recommended oil	ISO VG 32	ISO VG 32	ISO VG 32	
Minimum working flow (l/min)	25	30	65	

(A) = inlet pressure 6 bar, outlet pressure 5 bar - Δp 1 bar

HZE0L08G



HZE1L10G - HZE1L15G / HZE2L15G



size	A	B	C	D	E	F
1	182,5	130	52,5	63	63	G3/8-G1/2
2	201,5	148	53,5	80	80	G1/2

Size	0	1	2	
Part no.	HZE0B08GM	HZE1B10GM	HZE1B15GM	HZE2B15GM
Threaded port	G1/4	G3/8	G1/2	G1/2
Filtration rating (µm)	5	5	5	5
Flow NI/min (A)	600	2300	4500	4500
Max inlet pressure (bar-MPa-psi)	10-1-145	10-1-145	10-1-145	10-1-145
Pressure adjustment by relieving (bar)(D)	0,5 ÷ 8,5	0,5 ÷ 8,5	0,5 ÷ 8,5	0,5 ÷ 8,5
Pressure gauge (standard supplied)	HZ9464G	HZ9464G	HZ9464G	HZ9464G
Pressure gauge port	G1/8(B)	G1/8(C)	G1/8(C)	G1/8(C)
Fluid	compressed air	compressed air	compressed air	compressed air
Temperature (°C)	0 ÷ 60	0 ÷ 60	0 ÷ 60	0 ÷ 60
Condensation drain capacity (cm3)	12	45	80	80
Condensation drain	manual	manual	manual	manual
Weight (Kg)	0,21	0,65	1,00	1,00
Mounting position	vertical	vertical	vertical	vertical

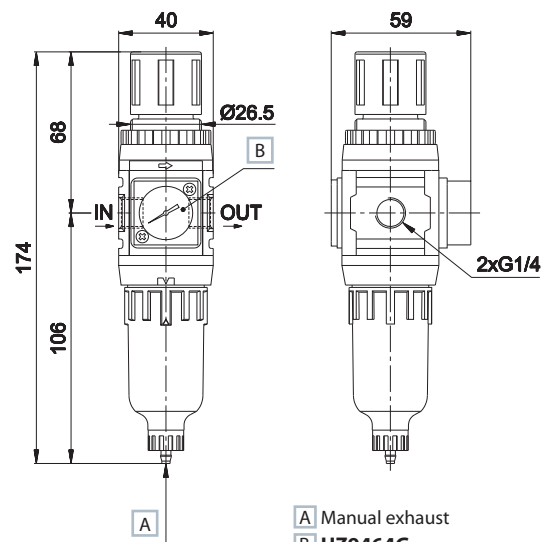
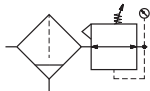
(A) = inlet pressure 6 bar, outlet pressure 5 bar - Δp 1 bar

(B) = optional (replace HZ9464G gauge with G1/8 adaptor HZE7Z480 to be ordered separately)

(C) = standard (replace HZ9464G gauge with G1/8 adaptor HZE7Z480 placed on the back side)

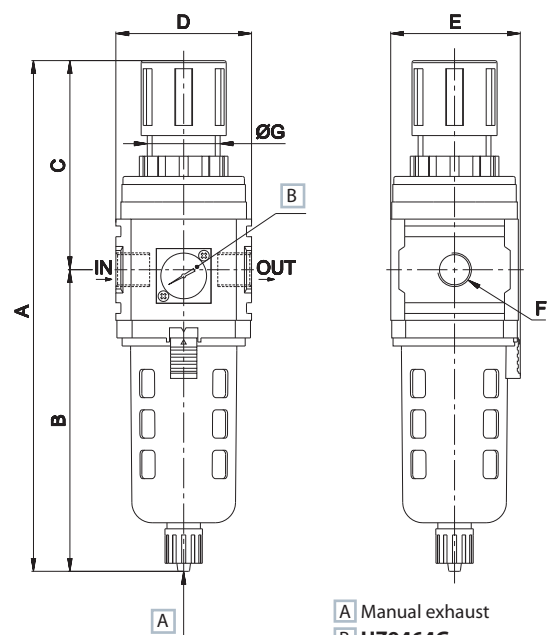
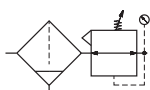
(D) = setting option 2 bar - 4 bar

HZE0B08GM



- A Manual exhaust
- B HZ9464G gauge standard supplied

HZE1B10GM - HZE1B15GM / HZE2B15GM



- A Manual exhaust
- B HZ9464G gauge standard supplied

size	A	B	C	D	E	F	G
1	259	156	103	63	63	G3/8-G1/2	40
2	280	170	110	80	80	G1/2	47



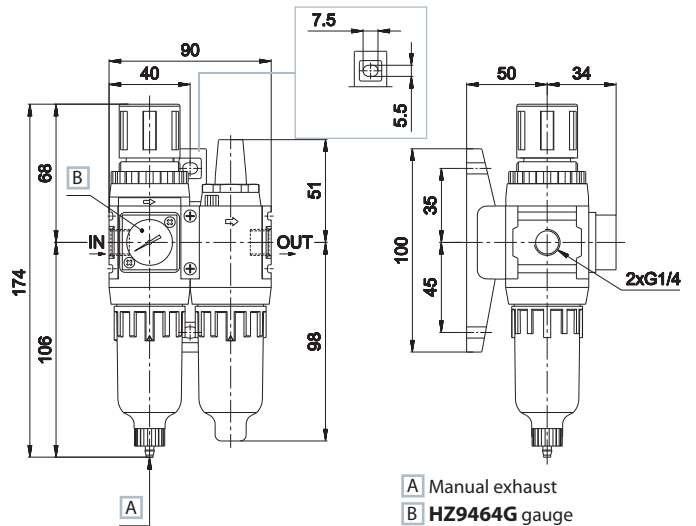
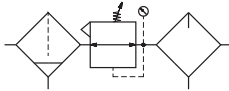
size	0	1	2	
Part no.	HZE0D08GM	HZE1D10GM	HZE1D15GM	HZE2D15GM
Threaded port	G1/4	G3/8	G1/2	G1/2
Filtration rating (µm)	5	5	5	5
Flow NI/min (A)	600	2800	4300	
Max inlet pressure (bar-MPa-psi)	10-1-145	10-1-145	10-1-145	10-1-145
Pressure adjustment by relieving (bar)	0,5 ÷ 8,5	0,5 ÷ 8,5	0,5 ÷ 8,5	0,5 ÷ 8,5
Pressure gauge (standard supplied)	HZ9464G	HZ9464G	HZ9464G	HZ9464G
Pressure gauge port	G1/8 <sup>(B)</sup>	G1/8 <sup>(C)</sup>	G1/8 <sup>(C)</sup>	G1/8 <sup>(C)</sup>
Fluid	compressed air	compressed air	compressed air	compressed air
Temperature (°C)	0 ÷ 60	0 ÷ 60	0 ÷ 60	0 ÷ 60
Condensation drain capacity (cm3)	12	45	80	
Condensation drain	manual	manual	manual	manual
Weight (Kg)	0,33	1,05	1,55	
Mounting position	vertical	vertical	vertical	vertical
Recommended oil	ISO VG 32	ISO VG 32	ISO VG 32	ISO VG 32
Minimum working flow (l/min)	25	30	65	

(A) = inlet pressure 6 bar, outlet pressure 5 bar - Δp 1 bar

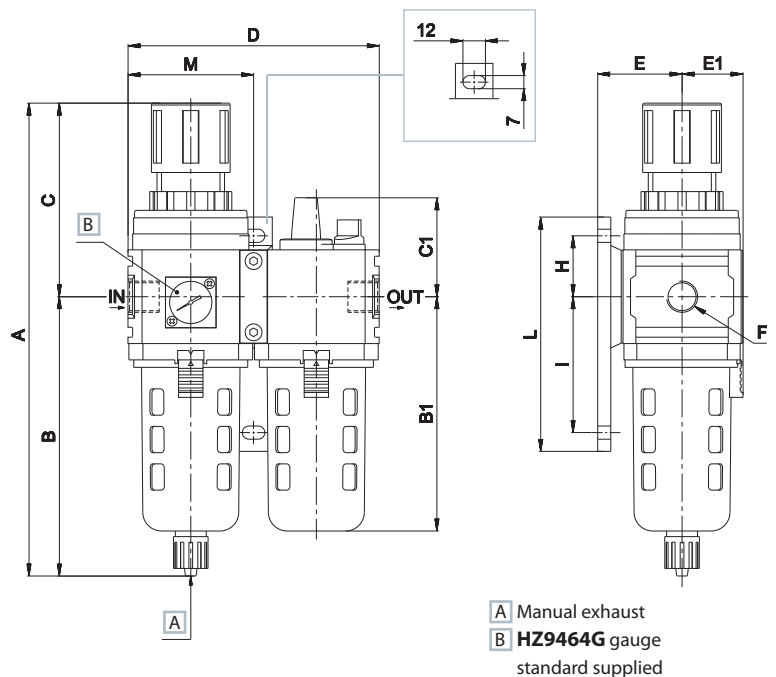
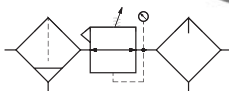
(B) = optional (replace HZ9464G gauge with G1/8 adaptor HZE7Z480 to be ordered separately)

(C) = standard (replace HZ9464G gauge with G1/8 adaptor HZE7Z480 placed on the back side)

HZE0D08GM



HZE1D10GM - HZE2D15GM



size	A	B	B1	C	C1	D	E	E1	F	H	I	L	M
1	259	156	130	103	52,5	126	45	31,5	G3/8-G1/2	45	60	125	63
2	280	170	148	110	53,5	160	55	40	G1/2	45	60	125	80

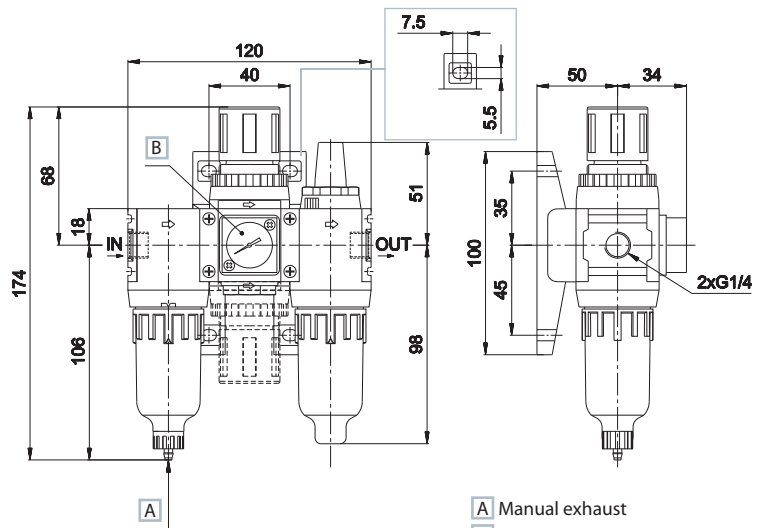
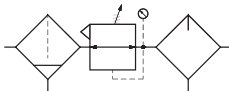
size	0	1	2	
Part no.	HZE0C08GM	HZE1C10GM	HZE1C15GM	HZE2C15GM
Threaded port	G1/4	G3/8	G1/2	G1/2
Filtration rating (µm)	5	5	5	5
Flow NI/min <sup>(A)</sup>	550	1700	2500	
Max inlet pressure (bar-MPa-psi)	10-1-145	10-1-145	10-1-145	10-1-145
Pressure adjustment by relieving (bar)	0,5 ÷ 8,5	0,5 ÷ 8,5	0,5 ÷ 8,5	0,5 ÷ 8,5
Pressure gauge (standard supplied)	HZ9464G	HZ9464G	HZ9464G	HZ9464G
Pressure gauge port	G1/8 <sup>(B)</sup>	G1/8 <sup>(C)</sup>	G1/8 <sup>(C)</sup>	G1/8 <sup>(C)</sup>
Fluid	compressed air	compressed air	compressed air	compressed air
Temperature (°C)	0 ÷ 60	0 ÷ 60	0 ÷ 60	0 ÷ 60
Condensation drain capacity (cm3)	12	45	80	
Condensation drain	manual	manual	manual	manual
Weight (Kg)	0,40	1,25	1,90	
Mounting position	vertical	vertical	vertical	vertical
Recommended oil	ISO VG 32	ISO VG 32	ISO VG 32	ISO VG 32
Minimum working flow (l/min)	25	30	65	

(A) = inlet pressure 6 bar, outlet pressure 5 bar - Δp 1 bar

(B) = optional (replace HZ9464G gauge with G1/8 adaptor HZE7Z480 to be ordered separately)

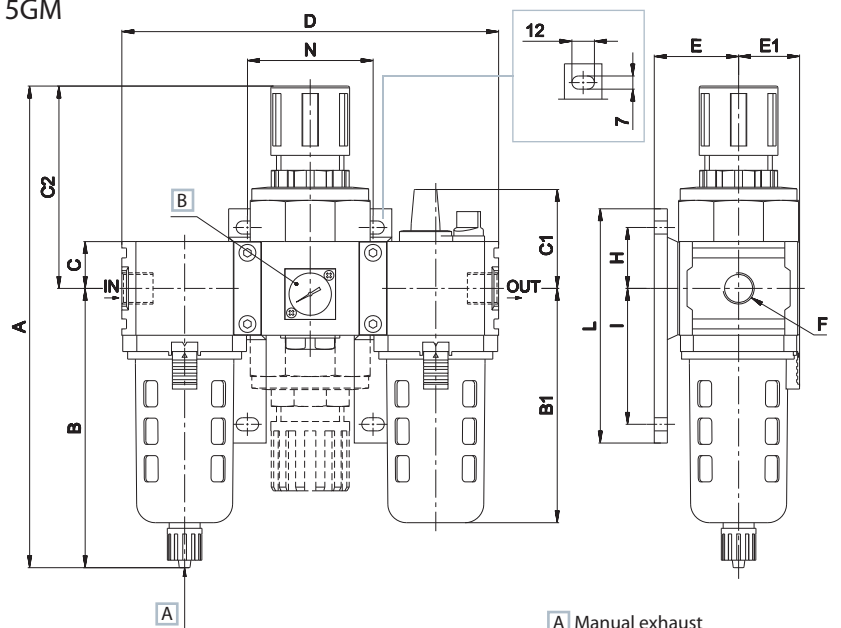
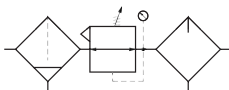
(C) = standard (replace HZ9464G gauge with G1/8 adaptor HZE7Z480 placed on the back side)

HZE0C08GM



**A** Manual exhaust  
**B** HZ9464G gauge standard supplied

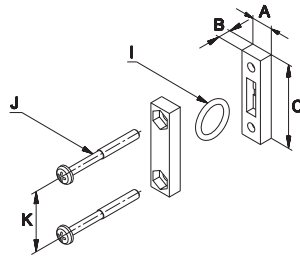
HZE1C10GM - HZE1C15GM / HZE2C15GM



**A** Manual exhaust  
**B** HZ9464G gauge standard supplied  
**F** Manual exhaust

size	A	B	B1	C	C1	C2	D	E	E1	F	H	I	L	N
1	260,5	157	130	23	52,5	103,5	190	45	31,5	G3/8-G1/2	45	60	125	63
2	282,5	172	148	23	53,5	110,5	240	55	40	G1/2	45	60	125	80

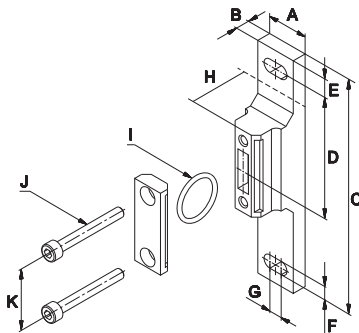
**Assembly kit**



size	A	B	C	ØI	J	K	Part no.
0	9,5	5,5	36	18	M3x37	26	HZE0Z200
1	15	7	44	25,7	M5x45	32	HZE1Z200
2							



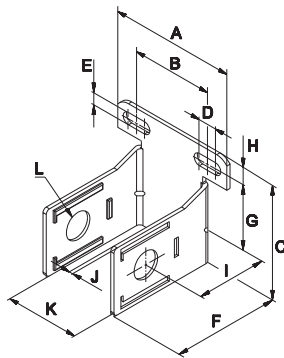
**Assembly kit T-bracket**



size	A	B	C	D	E	F	G	H	ØI	J	K	Part no.
0	16	7	105	35,5	10	5,5	4	25	18	M3x37	26	HZE0Z210
1	22	7	125	45	10	7	7	27	25,7	M5x45	32	HZE1Z210
2	22,5	7	125	45	10	7	7	37	25,7	M5x45	32	HZE2Z210



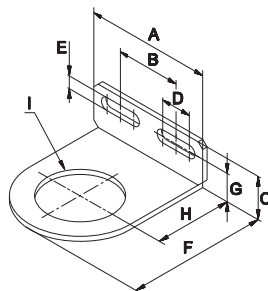
**C- bracket**



size	A	B	C	D	E	F	G	H	I	J	K	ØL	Part no.
0	68	44	61,5	10	6,5	60	35	8,5	40	2	40	14	HZE0Z300
1	67	34,5	76	14	7	69	45	9	45	2,3	63	25	HZE1Z300
2	84	55	93,5	14	9	102	50	11	65	2,3	80	25	HZE2Z300



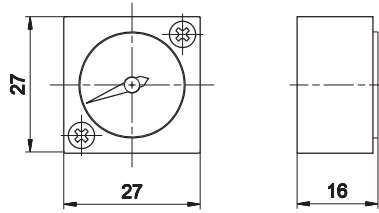
**Regulator L-bracket**



size	A	B	C	D	E	F	G	H	ØI	Part no.
0	68	44	24,5	10	6,5	59	16	40	26,5	HZE0Z310
1	67	34,5	26	16,5	7	76	18	45	40	HZE1Z310
2	84	55	26	16,5	7	94	18	45	47	HZE2Z310



**HZ9464G**



Square pressure gauge standard supplied  
size 0 - 1 - 2 (0 ÷ 12 bar)  
Bolt tightening torque: Max 0,6 Nm

**HZE7Z480**

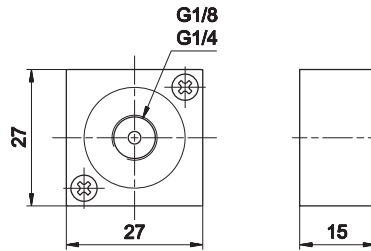
**HZE7Z490**



G1/8

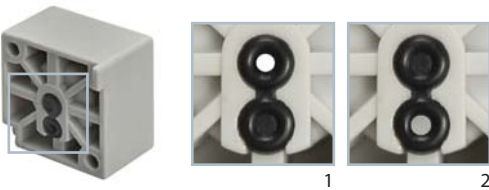


G1/4



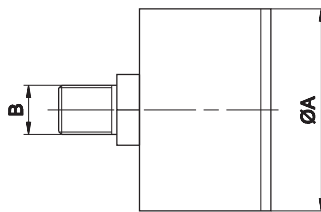
Threaded square adaptor for round pressure gauge  
Bolt tightening torque: Max 0,6 Nm

**> Seal detail**



While replacing the square gauge with the threaded square adaptor, be sure that the seal is rotated like in photo no 1.

**HZ9P...**



Part no.	Ø A	Scale		Port - B
		bar	MPa	
<b>HZ9P400318</b>	40	0 - 2,5	0 - 0,25	G1/8C
<b>HZ9P400618</b>	40	0 - 6	0 - 0,6	G1/8C
<b>HZ9P401018</b>	40	0 - 10	0 - 1	G1/8C
<b>HZ9P500314</b>	50	0 - 2,5	0 - 0,25	G1/4C
<b>HZ9P500614</b>	50	0 - 6	0 - 0,6	G1/4C
<b>HZ9P501014</b>	50	0 - 10	0 - 1	G1/4C
<b>HZ9P630314</b>	63	0 - 2,5	0 - 0,25	G1/4C
<b>HZ9P630614</b>	63	0 - 6	0 - 0,6	G1/4C
<b>HZ9P631014</b>	63	0 - 10	0 - 1	G1/4C

**Body:** tecnopolymer  
**Dial:** pressure inserted acrylic  
**Accuracy:** EN 837 class 1,6 - 2,5. ASME B40.1 Grade B  
**Protection:** IP 43

> Filter and filter regulator spare parts

**Standard bowl with manual drain      Automatic drain**



<b>Size 0</b> HZE0Z600	<b>Size 1</b> HZE1Z600	<b>Size 2</b> HZE2Z600	<b>Size 1</b> HZE1Z400	<b>Size 2</b> HZE2Z400
---------------------------	---------------------------	---------------------------	---------------------------	---------------------------

**Filter elements      Coalescing filter**



<b>Size 0</b> HZE0Z660 HZE0Z664	<b>Size 1</b> HZE1Z660 HZE1Z664	<b>Size 2</b> HZE2Z660 HZE2Z664	5 µm 20/50 µm	<b>Size 1</b> HZE1Z670	<b>Size 2</b> HZE2Z670	0,3 µm
---------------------------------------	---------------------------------------	---------------------------------------	------------------	---------------------------	---------------------------	--------

> Lubricator spare parts

**Bowl      Lubricator dome**



<b>Size 0</b> HZE0Z601	<b>Size 1</b> HZE1Z601	<b>Size 2</b> HZE2Z601	<b>Size 0 - 1 - 2</b> HZE7Z470
---------------------------	---------------------------	---------------------------	-----------------------------------

> Regulator and filter regulator spare parts

**Diaphragm assembly      Regulator spring      Panel ring nut**



<b>Size 0</b> HZE0Z610 HZE0Z611	<b>Size 1</b> HZE1Z610 HZE1Z611	<b>Size 2</b> HZE2Z610 HZE2Z611	with relieving without relieving	<b>Size 1</b> HZE1Z652 HZE1Z654 HZE1Z658	<b>Size 2</b> HZE2Z652 HZE2Z654 HZE2Z658	Pressure adjustment 0,5 ÷ 1,7 0,5 ÷ 3,5 0,5 ÷ 8,5	<b>Size 0</b> HZE0Z603	<b>Size 1</b> HZE1Z603	<b>Size 2</b> HZE2Z603
---------------------------------------	---------------------------------------	---------------------------------------	-------------------------------------	---	---	--	---------------------------	---------------------------	---------------------------

**Knob**



<b>Size 0</b> HZE0Z602	<b>Size 1</b> HZE1Z602	<b>Size 2</b> HZE2Z602
---------------------------	---------------------------	---------------------------

**UNIVER S.p.A.**  
**Headquarter**  
I - 20128 **Milano**

Via Eraclito, 31  
Tel. +39 02 25298.1  
Fax +39 02 2575254  
e-mail: info@univer-group.com  
www.univer-group.com

**UNIVER SERVICE S.r.l.**  
**Headquarter**  
I - 20128 **Milano**

Via Empedocle, 20  
Tel. +39 02 25298.1  
Fax +39 02 25298370  
e-mail: universervice@universervice.it  
www.universervice.it

**UNIVER CUNEO S.r.l.**

12040 **Cervere (CN)**  
Via dell'Aviazione s.n.  
Tel. +39 0172 495790/38  
Fax +39 0172 2495611

**Branch Office:**

**LOMBARDIA/VENETO**

I - 20128 **Milano**  
Via Empedocle, 20  
Tel. +39 0225298.1  
Fax +39 0225298370  
universervice@universervice.it  
www.universervice.it

I - 24060 Castelli Calepio **Bergamo**

Via C. Curotti, 31/33  
Tel. +39 035 892707  
Fax +39 035 892700  
castellicalepio@universervice.it  
www.universervice.it

**PIEMONTE/LIGURIA/VALLE D'AOSTA**

I - 10071 Borgaro Torinese **Torino**  
Via Veneto, 18  
Tel. +39 011 4501871  
Fax +39 011 4502898  
torino@universervice.it  
www.universervice.it

**EMILIA ROMAGNA/TOSCANA/MARCHE**

I - 40069 Zola Predosa **Bologna**  
Via Guido Rossa, 21  
Tel. +39 051 753907  
Fax +39 051 6184751  
bologna@universervice.it  
www.universervice.it

**CENTRO/SUD**

I - 40069 Zola Predosa **Bologna**  
Via Guido Rossa, 21  
Tel. +39 051 753907  
Fax +39 051 6184751  
bologna@universervice.it  
www.universervice.it

www.univer-group.com

**UNIVER Pty Ltd**

**AUSTRALIA** - 3175 **Victoria**  
Nicole Way Dandenong, 11  
Tel. +61 3 97930377  
Fax +61 3 97930399  
e-mail: sales@univer.net.au

**UNIVER G.m.b.H.**

**GERMANY** - 53859 **Niederkassel**  
Marktstraße 114  
Tel. +49 2208 90900  
Fax +49 2208 909040  
e-mail: info@univer-gmbh.de  
www.univer-gmbh.de

**UNIVER**

**Manufacturing Company Ltd.**  
**UNITED KINGDOM** - **Bradford**  
Station Road - West Yorkshire BD145F  
Tel. +44 1274 725777  
Fax +44 1274 725111  
e-mail: enquiries@univer.co.uk  
www.univer.co.uk

**UNIVER do Brasil S/A**

**BRASIL** - 83055-320  
**São José dos Pinhais** - Paraná  
Av. Rui Barbosa, 3005  
Tel. +55 41 33824606  
Fax +55 41 33824807  
e-mail: univerbrasil@univer.com.br  
www.univer.com.br

**UNIVER S.L.**

**System Supplier Pneumatic**  
**SPAIN** - 08210 **Barbera Del Valles**  
Barcelona - Ronda Industria, 26 - 28  
Tel. +34 93 7297360  
Fax +34 93 7297380  
e-mail: univer@univerweb.com  
www.univerweb.com

**UNIVER M. VIOLA**

**POLAND** - 43300 **Bielsko-Biala**  
Ul. Zywiecka, 158  
Tel. +48 33 8105354/+48 33 8140438  
Fax +48 33 8140439  
e-mail: pneumatyka@univer.pl

**UNIVER OY**

**FINLAND** - 15200 **Lahti**  
Hirsimetsäntie, 9  
Tel. +358 207 491400  
Fax +358 207 491401  
e-mail: sales@univer.fi  
www.univer.fi

**UNIVER SWEDEN AB**

**SWEDEN** - 44361 **Stenkullen**  
Hedeforsvägen, 2  
Tel. +46 302 23060  
Fax +46 302 22864  
e-mail: info@univer.se  
www.univer.se

**Distributors Worldwide:**

ARGENTINA	INDIA
AUSTRIA	INDONESIAN
BELGIUM	IRELAND
CANADA	ISRAEL
CHINA	LITHUANIA
CÔTE D'IVOIRE	MALAYSIA
CYPRUS	MOROCCO
CZECH REPUBLIC	NEW ZEALAND
DENMARK	PAKISTAN
ECUADOR	PERU'
EGYPT	PORTUGAL
GREECE	SAUDI ARABIA /
HOLLAND	KUWAIT / QATAR
HUNGARY	

**UNIVER FRANCE S.a.s.**

**FRANCE** - 68000 **Colmar**  
1, rue Denis Papin  
Tel. +33 03 89210900  
Fax +33 03 89216850  
e-mail: info@univer-france.fr  
www.univer-france.fr

**UNIVER AG**

**SWITZERLAND** - 6312 **Steinhausen**  
Postfach - Sumpfstrasse, 26  
Tel. +41 41 7417580  
Fax +41 41 7417280  
e-mail: mail@univer-ag.ch  
www.univer-ag.ch

SERBIAN REPUBLIC
ROMANIA
SLOVENIA
SOUTH AFRICA
SOUTH KOREA
SYRIA
TAIWAN
THAILAND
TUNISIA
TURKEY
USA
UNITED ARAB EMIRATES /
OMAN / YEMEN

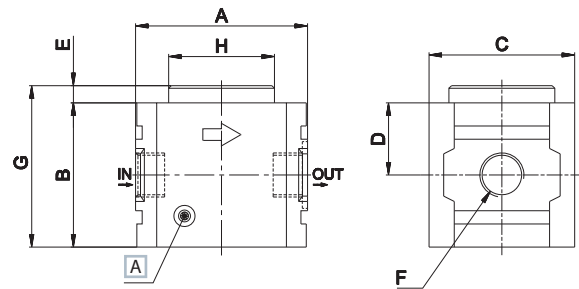
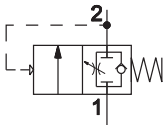
The gradual starter is used in pneumatic circuits where a cut-off in pressure, an abrupt start-up is to be avoided to prevent possible damages to equipment.

FUNCTIONING PRINCIPLE: 2 way valve which, in the stand-by position, allows the passage of an air regulated flow. When the working pressure is reached the valve allows the air full passage.

Size	1	
Part no.	HZE1Y10G	HZE1Y15G
Threaded port	G3/8	G1/2
Flow rate (NI/min) <sup>(A)</sup>	2200	
Max inlet pressure (bar-MPa-psi)	10-1-145	
Min pressure (bar)	3,5	
Fluid	compressed air	
Temperature (°C)	-20 ÷ 80	
Weight (Kg)	0,485	

(A) = inlet pressure 6 bar, outlet pressure 5 bar - Δp 1 bar

## HZE-Y



A Regulating screw

Size	A	B	C	D	E	F	G	Ø H
1	65	55	55	27,5	6,5	G3/8-G1/2	61,5	40

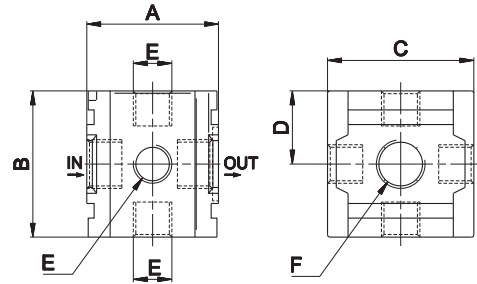


Threaded ports on each side. Possibility to assembly pressure switch.

Size	1	
Part no.	HZE1N10G	HZE1N15G
Threaded port (A)	G3/8	G1/2
Max inlet pressure (bar-MPa-psi)	10-1-145	
Fluid	compressed air	
Temperature (°C)	0 ÷ 60	
Weight (Kg)	0,23	

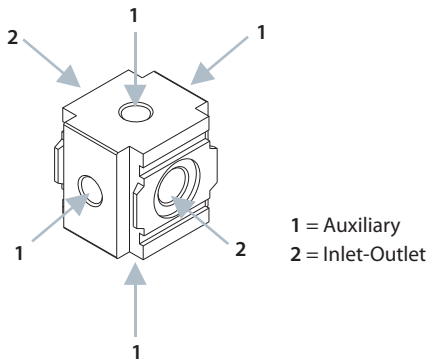
(A) = plug not included

HZE-N



Size	A	B	C	D	E	F
1	45	50	50	25	G1/4	G3/8-G1/2

> Ports



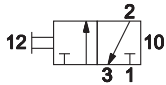
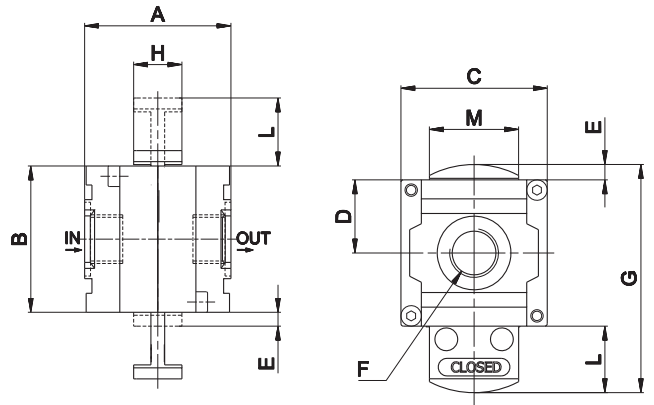


The lockable valve is a 3 way 2 position manual valve. In the closed position it enables discharge of the downstream system of the air preparation equipment. By using one or two locks (not included) the user is not allowed to pressurize the system accidentally.

Size	1	
Part no.	HZE1P10G	HZE1P15G
Threaded port	G3/8	G1/2
Flow rate (NI/min) <sup>(A)</sup>	5000	
Max inlet pressure (bar-MPa-psi)	10-1-145	
Fluid	compressed air	
Temperature(°C)	0 ÷ 60	
Weight (Kg)	0,28	

(A) = inlet pressure 6 bar, outlet pressure 5 bar - Δp 1 bar

HZE-P



Size	A	B	C	D	E	F	G	H	L	M
1	50	50	50	25	5	G3/8-G1/2	78	17	23	30,5

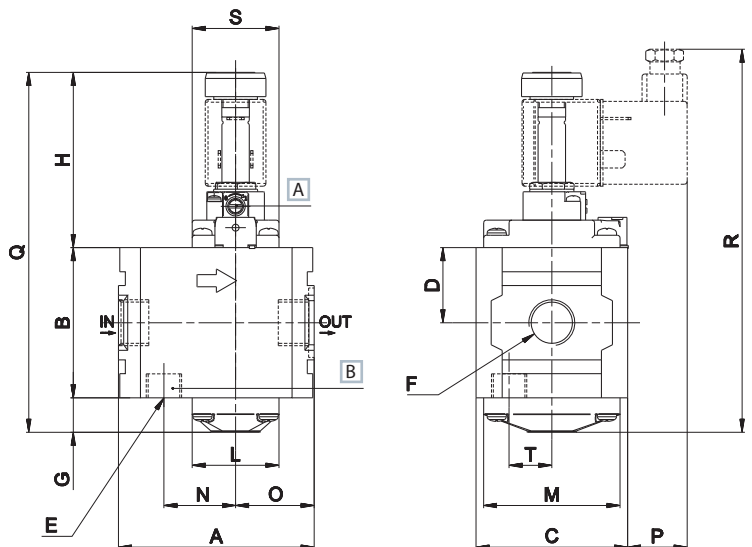
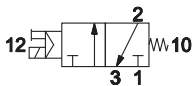


The 3 ways valve enable system supply and exhaust.  
Version with CNOMO or 15mm electropilot is available upon request.

Size	1	
Part no.	HZE1S10G	HZE1S15G
Threaded port	G3/8	G1/2
Flow rate (NI/min) <sup>(A)</sup>	2800	
Max inlet pressure (bar-MPa-psi)	10-1-145	
Min pressure (bar-MPa-psi)	2 - 0,2 - 29	
Fluid	compressed air	
Temperature (°C)	5 ÷ 60	
Weight (Kg)	0,7	
Commutation system	poppet valve	
Ways/Position	3/2 NC	
Control	indirect electropneumatic control	
Nominal diameter	10	
Electropilot	U1 / U3	
Coil	12 V DC - 24 V DC - 24 V AC - 110 V AC - 23	
Manual Override	with 2 position screw	

(A) = inlet pressure 6 bar, outlet pressure 5 bar - Δp 1 bar

HZE-S



- A Manual override
- B Exhaust

size	A	B	C	D	E	F	G	H	ØL	ØM	N	O	P	Q	R	S	T
1	71	54,5	55	27	G1/4	G3/8-G1/2	12,5	64	32	49,5	26	29	22	131	139	31,5	15,5

Coils and silencers are not included



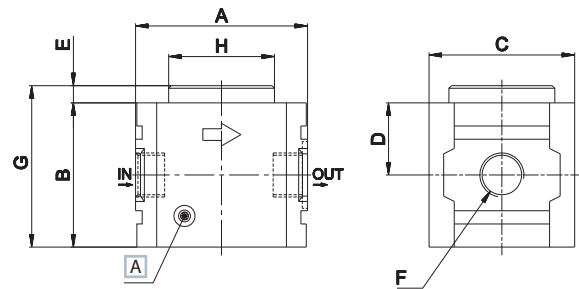
The gradual starter is used in pneumatic circuits where a cut-off in pressure, an abrupt start-up is to be avoided to prevent possible damages to equipment.

FUNCTIONING PRINCIPLE: 2 way valve which, in the stand-by position, allows the passage of an air regulated flow. When the working pressure is reached the valve allows the air full passage.

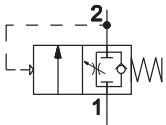
Size	0
Part No.	HZE0Y08G
Threaded port	G1/4
Flow rate (NI/min) <sup>(A)</sup>	900
Max inlet pressure (bar-MPa-psi)	10-1-145
Min pressure (bar)	2
Fluid	compressed air
Temperature (°C)	-20 ÷ 80
Weight (Kg)	0,300

(A) = inlet pressure 6 bar, outlet pressure 5 bar - Δp 1 bar

HZE-Y



A Regulating screw



size	A	B	C	D	E	F	G	Ø H
0	55	55	40	27,5	6,5	G1/4	61,5	40

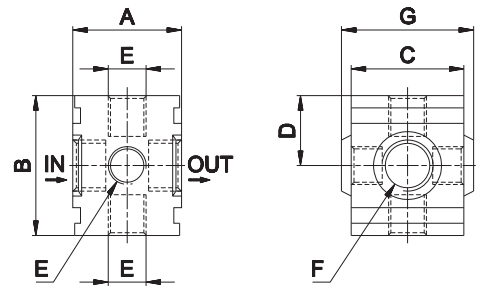


Threaded ports on each side. Possibility to assembly pressure switch.

Size	0
Part no.	HZE0N08G
Threaded port (A)	In/Out G1/4 Auxiliary G1/8
Max inlet pressure (bar-MPa-psi)	10-1-145
Fluid	compressed air
Temperature (°C)	0 ÷ 60
Weight (Kg)	0,064

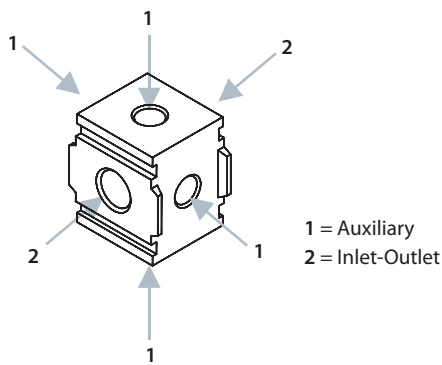
(A) = plug not included

HZE-N



size	A	B	C	D	E	F	G
0	28	36	29	18	G1/8	G1/4	34

> Ports

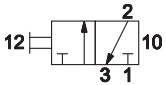
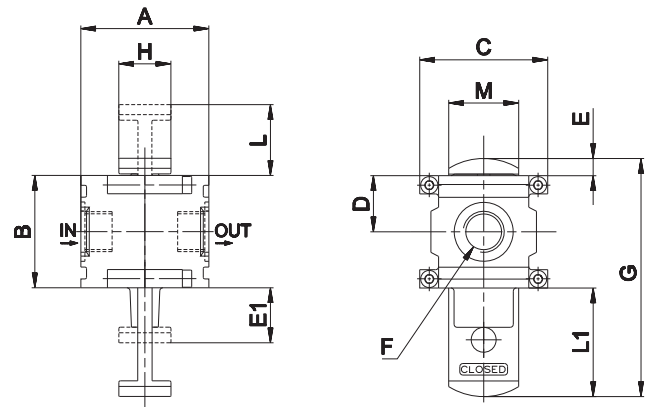


The lockable valve is a 3 way 2 position manual valve. In the closed position it enables discharge of the downstream system of the air preparation equipment. By using one lock (not included) the user is not allowed to pressurize the system accidentally.

<b>Size</b>	<b>0</b>
<b>Part no.</b>	<b>HZE0P08G</b>
<b>Threaded port</b>	G1/4
<b>Flow rate (NI/min) <sup>(A)</sup></b>	900
<b>Max inlet pressure (bar-MPa-psi)</b>	10-1-145
<b>Fluid</b>	compressed air
<b>Temperature (°C)</b>	0 ÷ 60
<b>Weight (Kg)</b>	0,21

(A) = inlet pressure 6 bar, outlet pressure 5 bar - Δp 1 bar

HZE-P



size	A	B	C	D	E	E1	F	G	H	L	L1	M
0	41	36	41	18	6	18	G1/4	77	17	23	35	22,5

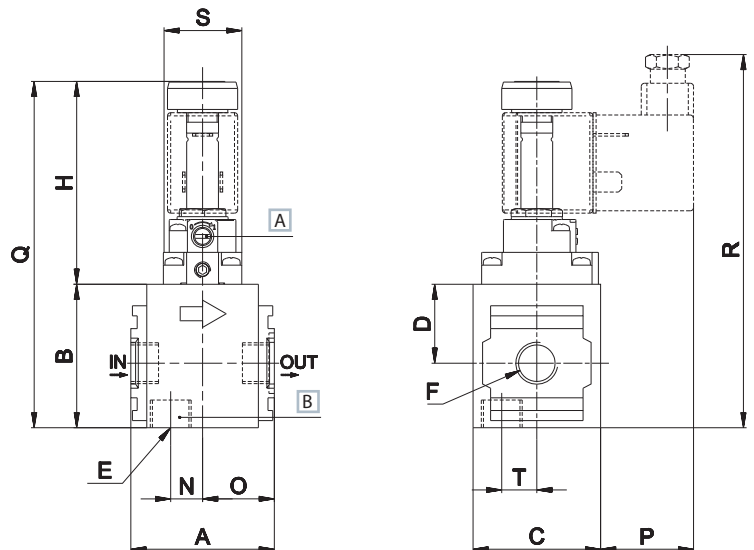
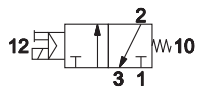


The 3 ways valve enable system supply and exhaust.  
Version with CNOMO or 15mm electropilot is available upon request.

Size	0
Part no.	HZE0S08G
Threaded port	G1/4
Flow rate (NI/min) <sup>(A)</sup>	900
Max inlet pressure (bar-MPa-psi)	10-1-145
Min pressure (bar-MPa-psi)	2 - 0,16 - 23
Fluid	compressed air
Temperature (°C)	5 ÷ 60
Weight (Kg)	0,460
Commutation system	poppet valve
Ways/Position	3/2 NC
Control	indirect electropneumatic control
Nominal diameter	8
Electropilot	U1 / U3
Coil	DA
Manual Override	with 2 position screw

(A) = inlet pressure 6 bar, outlet pressure 5 bar - Δp 1 bar

HZE-S



- A Manual override
- B Exhaust

size	A	B	C	D	E	F	H	N	O	P	Q	R	S	T
0	45	45	40	25	G1/4	G1/4	64	10	22,5	29	109	117	24,5	11

Coils and silencers are not included

